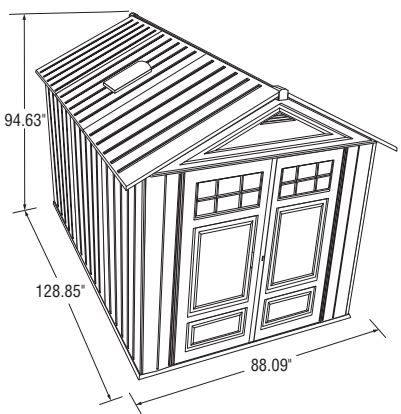


	Description	Assembly Letter	Quantity	Required Tools
FLOOR	Front Floor Panel	J-5H51	1	Safety Glasses Rubber Mallet Phillips Screw Driver Liquid Soap (2) Step Stools/Stepladders Two Person Assembly
	Repeat Floor Panel	K-5H52	2	
WALLS	Left Side Panel	C	3	
	Right Side Panel	D	3	
	Left Back Panel	E	1	
	Right Back Panel	G	1	
	Left Front Panel	H	1	
	Right Front Panel	J	1	
	Wall Connector	Q	24	
DOORS	Left Door	AK	1	
	Right Door	AF	1	
	Lock Hasp	X	1	
	Window for Door	LL	2	
	Gasket for Door Window	MM	2	
	Door Reinforcement	NN	2	
	Hinge Reinforcement	PP	2	
Handle Kit	QQ	1		
Spring Bolt Kit	SS	1		
ROOF	Left Roof Panel	NN	2	
	Left Skylight Roof Panel	AN	1	
	Right Roof Panel	P	2	
	Right Skylight Roof Panel	AP	1	
	Gable	M	2	
	Ridge Beam - Long	RL	1	
	Ridge Beam - Short	RS	1	
	Ridge Connector	FF	2	
	Ridge Cap	GG	1	
	Ridge Tape	HH	2	
Skylight w/Gasket Installed	L	2		
Roof Connector	T	16		
HARDWARE	#14 x 1.0" Combo Pan Head Screw	AA	56	
	#14 x 5/8" Combo Pan Head Screw	JJ	12	
	#8 x 1/2" Combo Pan Head Screw	KK	30	
	#8 SAE Flat Washer	TT	30	
	1/4-20 x 0.5" Combo Round Head Bolt	BB	4	
	1/4-20 Flat Washer Zinc	CC	2	
	1/4-20 Hex Nut	DD	4	
	Roof Pin	EE	4	



1S84

RUBBERMAID
7' x 10' 6" RESIN STORAGE BUILDING
ASSEMBLY INSTRUCTIONS

Pre-Assembly:

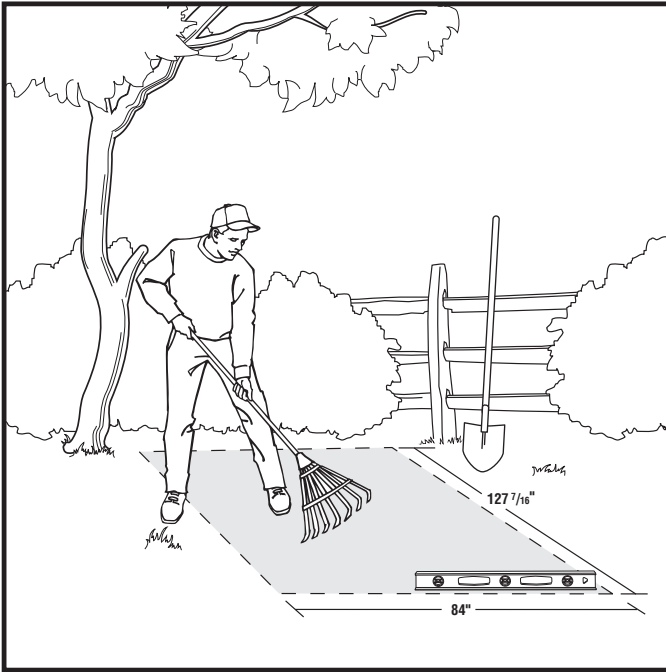
- Review the parts list and make sure that no parts are missing.
- Review ALL assembly steps before beginning instructions.
- Level the area where the shed will be located.
 - Areas of "fill dirt" should be tamped/compacted to prevent settling/sinking.
 - If a foundation is desired, it should be constructed before assembly.

NOTE:

To simplify assembly and to ensure proper engagement of all components, apply a mild detergent to dovetail and snap fits before assembling.
 In the event of severe weather, please disassemble and store in a secure location.

1

Level construction site before beginning assembly of shed. A foundation may be constructed if desired.

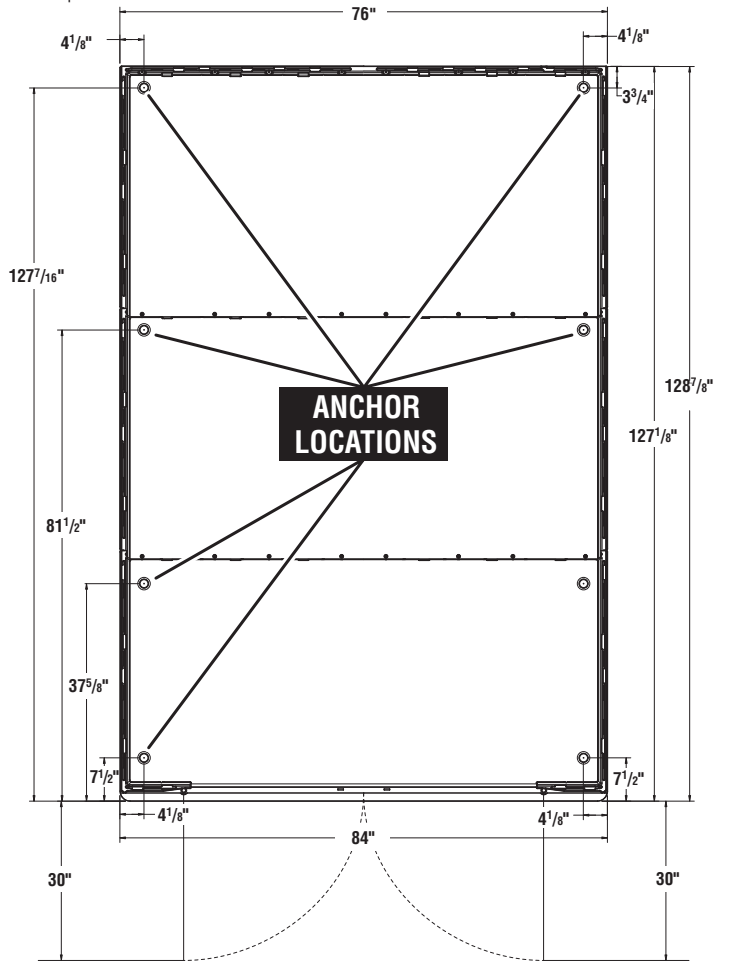


FLOOR PLAN:

Size the construction site to fit the entire floor. Allow clearance for opening front and back doors.

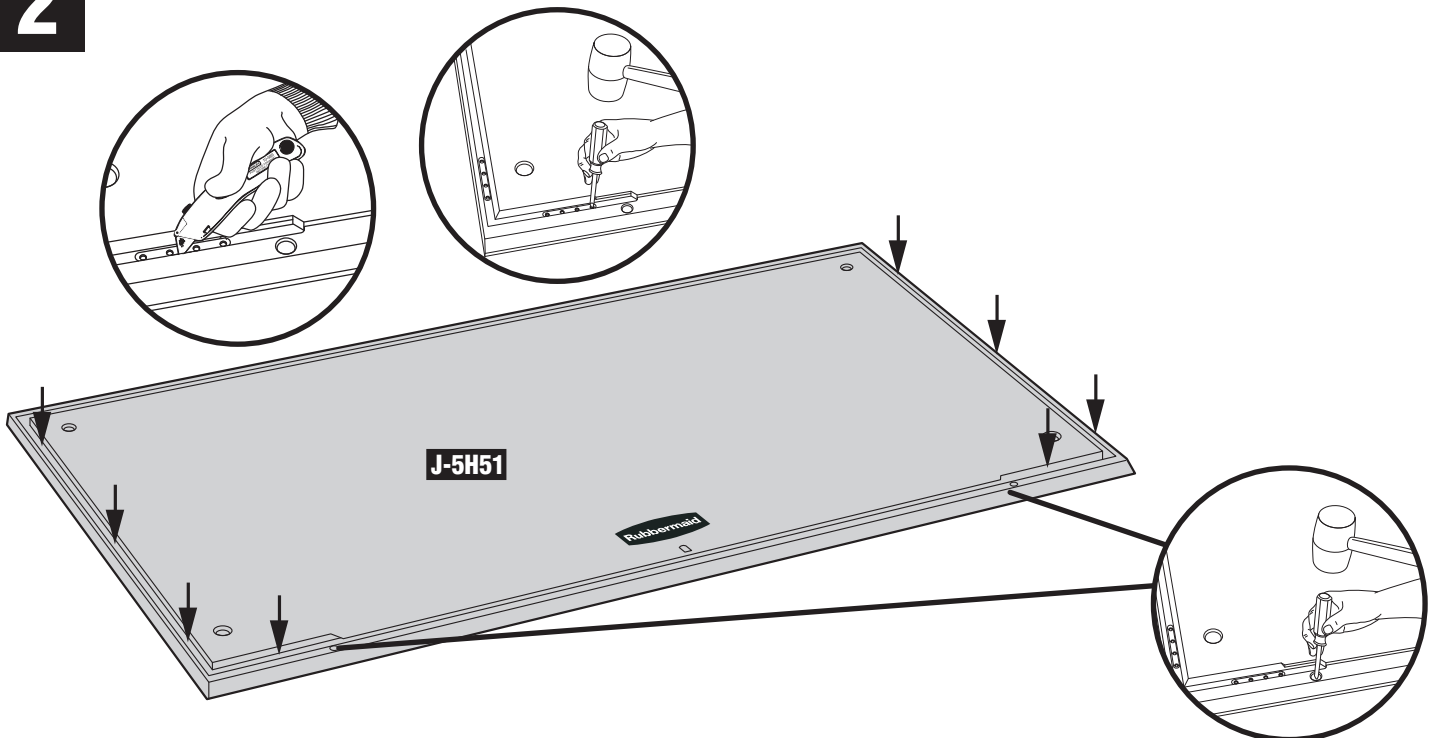
OPTIONAL STEP:

If desired, recessed anchor locations (8 places) can be used to anchor the shed floor to a foundation after Step 6.



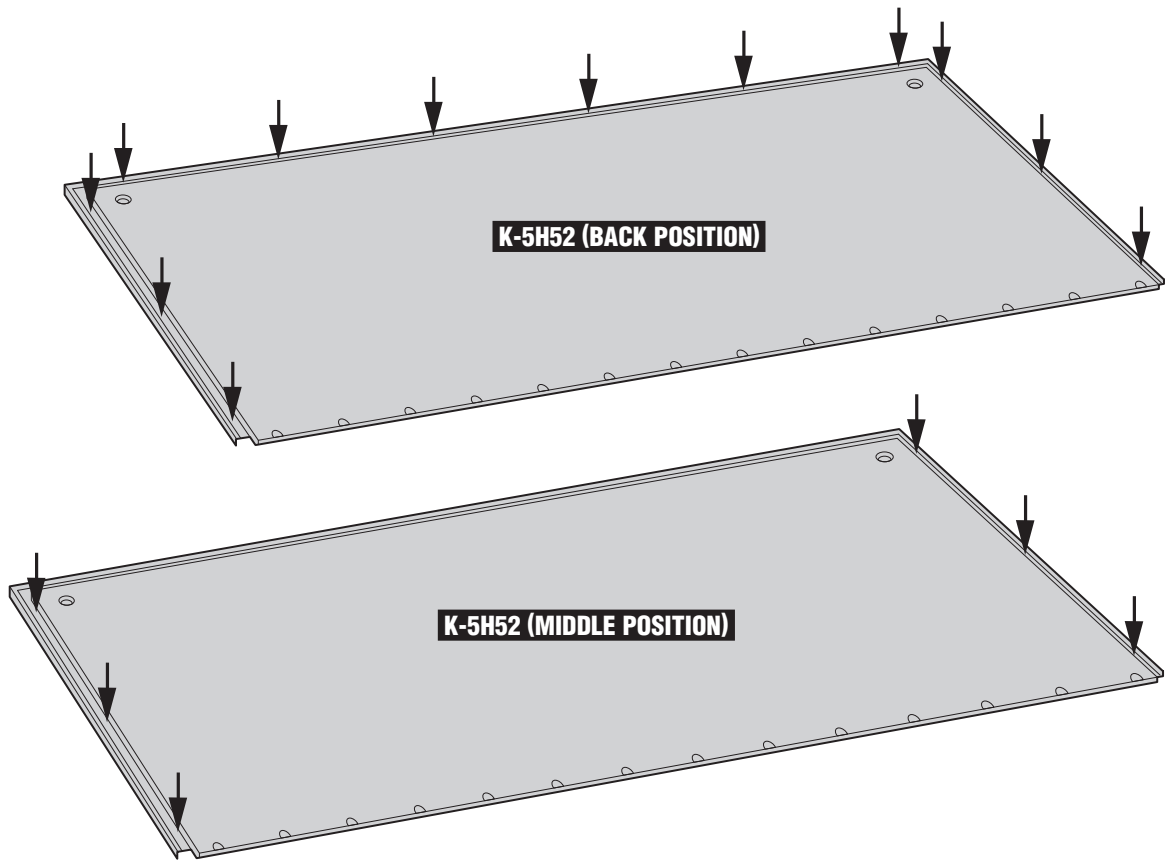
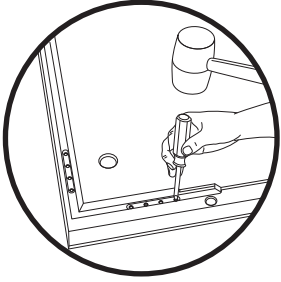
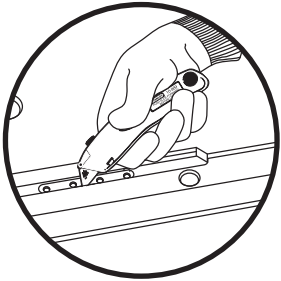
2

Using a utility knife, cut the long sides of each wall slot tab and then use a screwdriver to knock it out 8 places on Front Floor Panel (J-5H51). Open hinge holes 2 places.



3

Using a utility knife, cut the long sides of each wall slot tab and then use a screwdriver to knock it out 6 places on Floor Panel (K-5H52) used in the MIDDLE position and 12 places on Floor Panel (K-5H52) used in the Back position.

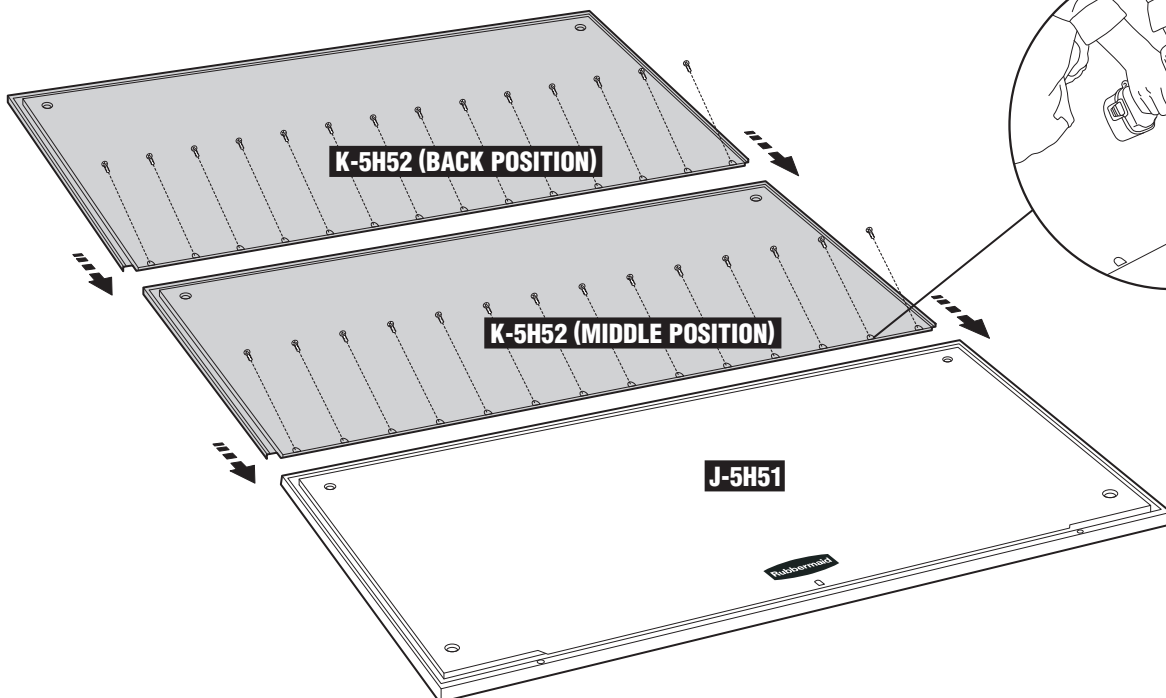
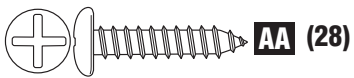


4

Place the Floor Panel (J-5H51) on the foundation. Connect two Repeat Floor Panels (K-5H52), install Screws (AA) 14 places.

Optional Step:

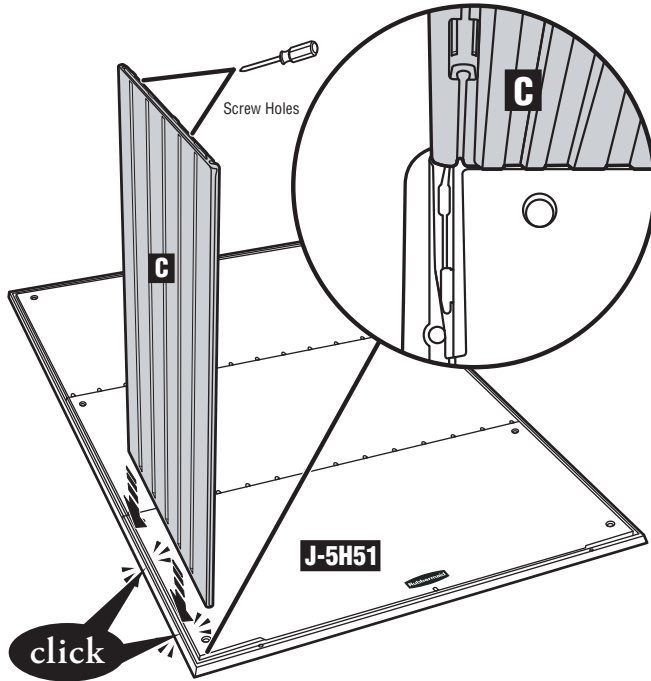
If desired, recessed anchor locations (8 places) can be used to secure the Floor to the Foundation, see Step 1.



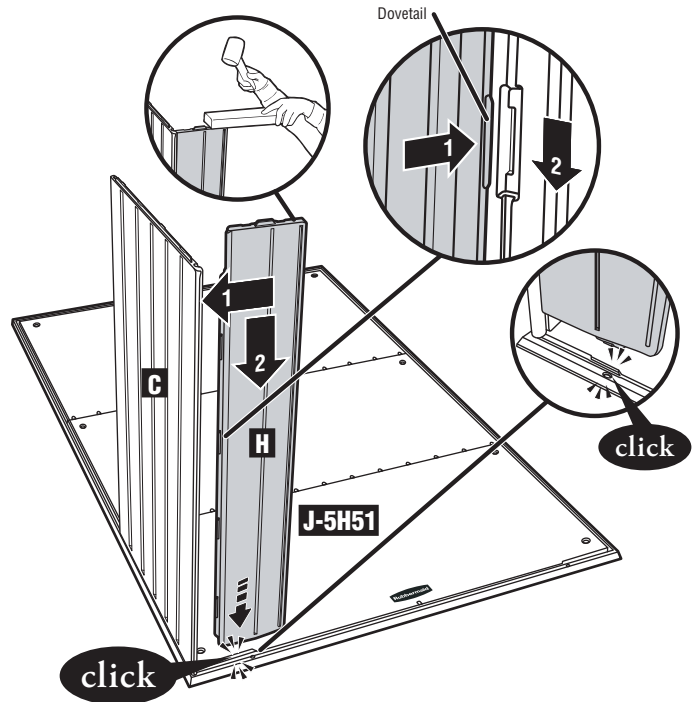
Caution: When installing screws do not overtighten.

5

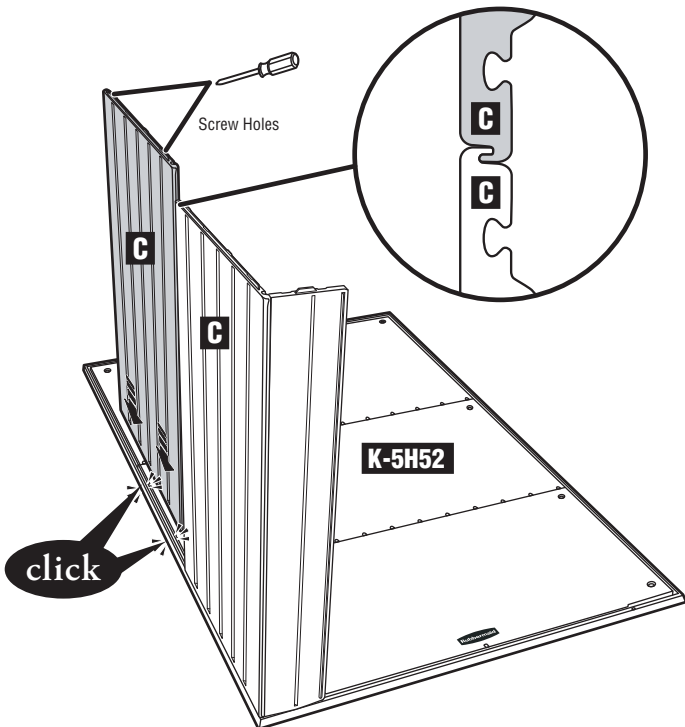
Using a screwdriver, punch out the screw holes on the top of Left Side Panel (C) 2 places.
 Connect Left Side Panel (C) into Front Floor (J-5H51).

**6**

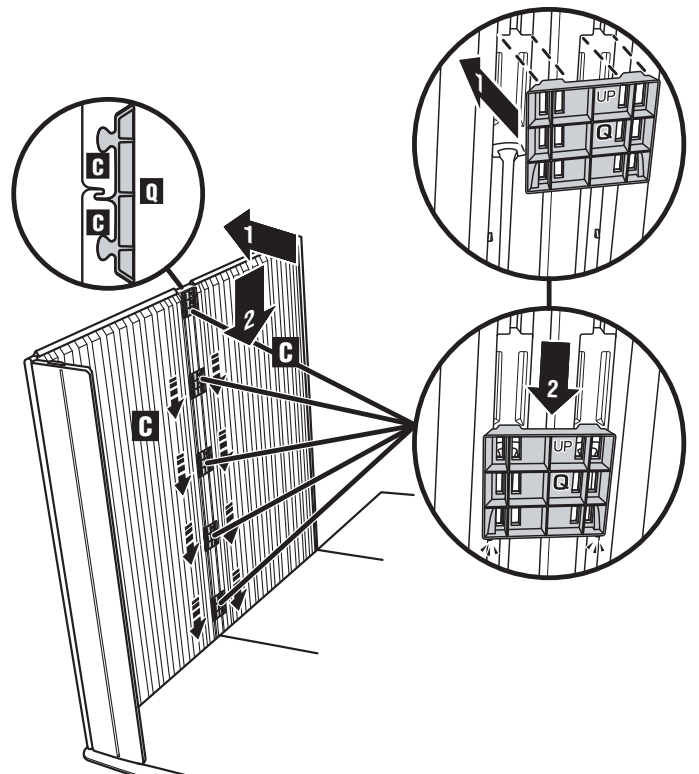
Lubricate dovetails on Left Front Panel (H) 4 places with liquid soap.
 Connect Left Front Panel (H) into dovetails of Left Side Panel (C), engage snaps on bottom of Left Front Panel (H) into Front Floor (J-5H51).

**7**

Using a screwdriver, punch out the screw holes on the top of the Left Side Panel (C) 2 places.
 Align lap joint between Left Side Panels.
 Connect Left Side Panel (C) into Repeat Floor (K-5H52).

**8**

Install Wall Connectors (Q) 5 places.

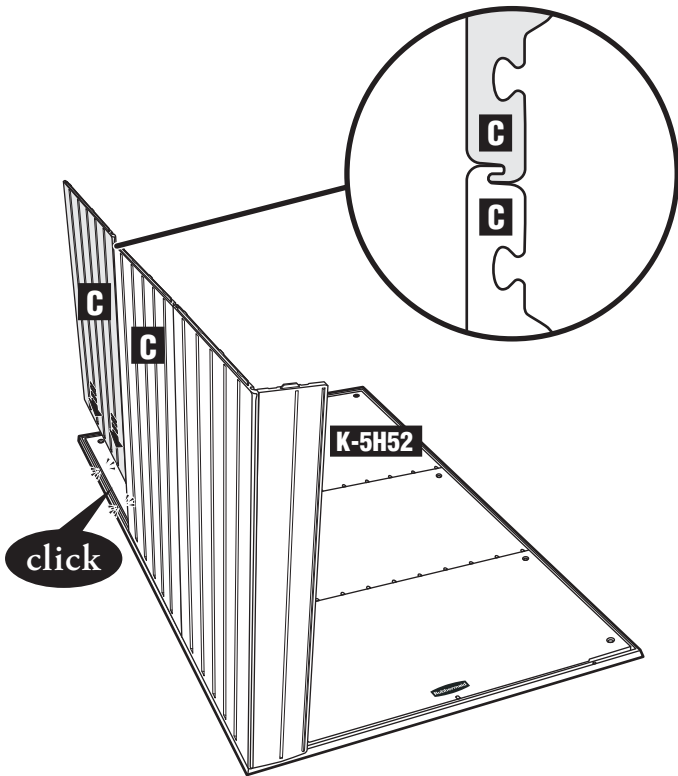


9

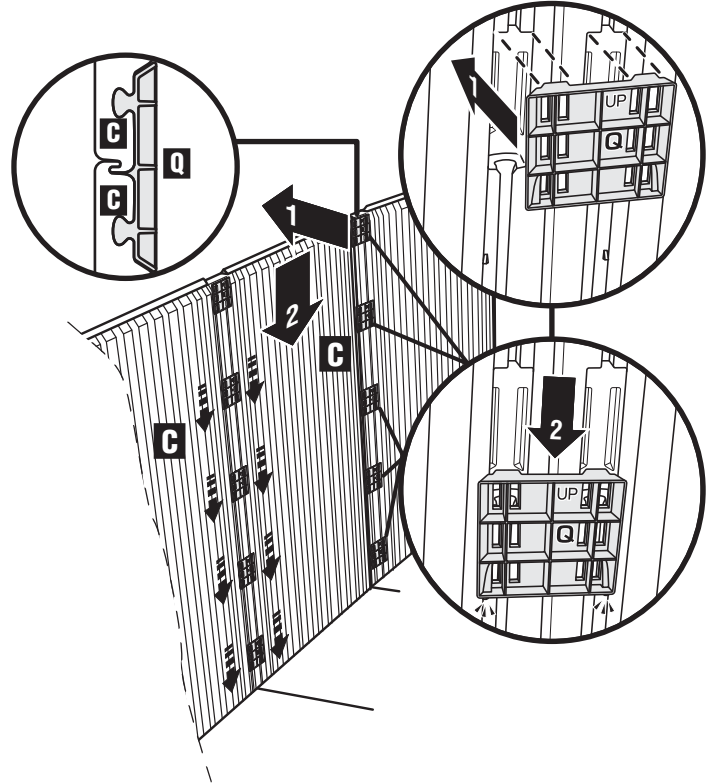
Using a screwdriver, punch out the screw holes on the top of the Left Side Panel (C) 2 places.

Align lap joint between Left Side Panels.

Connect Left Side Panel (C) into Repeat Floor (K-5H52).

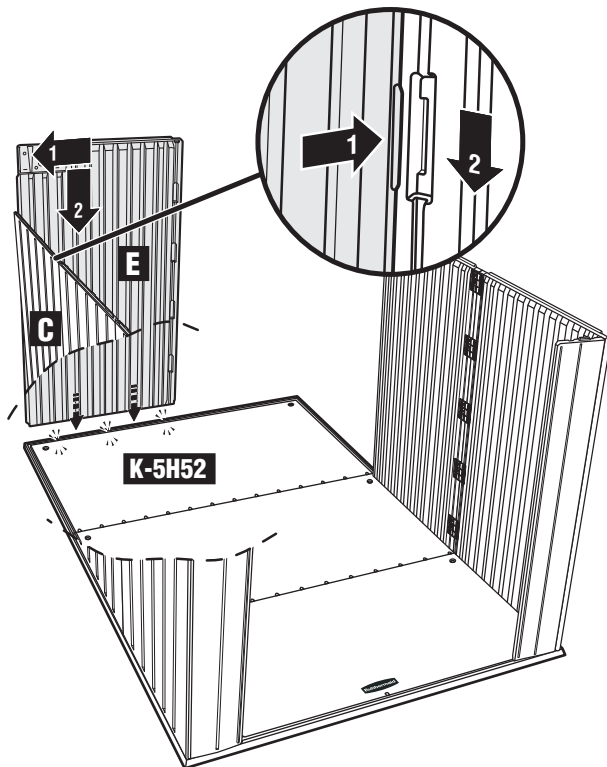
**10**

Install Wall Connectors (Q) 5 places.

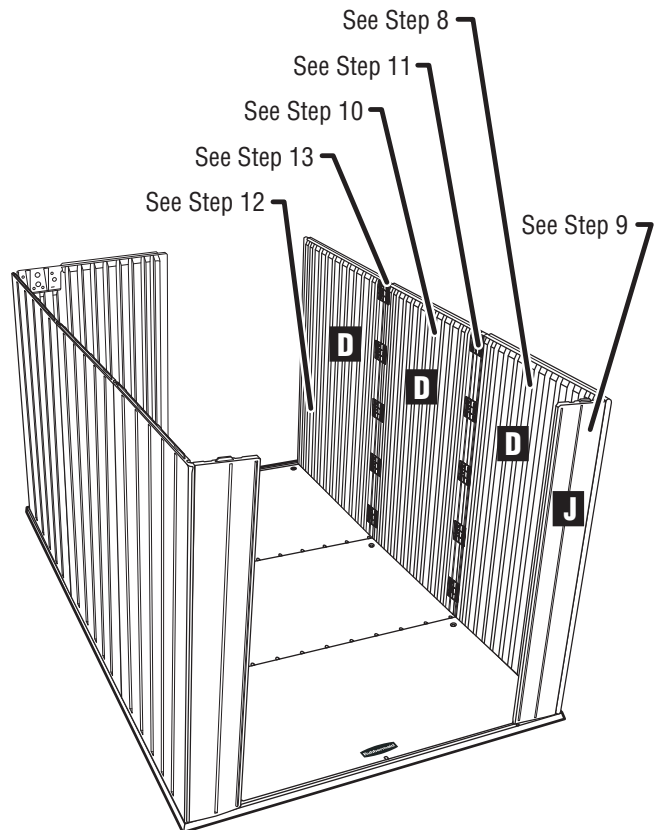
**11**

Lubricate dovetails on Left Back Panel (E) 4 places with liquid soap.

Connect Left Back Panel (E) into dovetails on Left Side Panel (C), engage snaps on bottom of Left Back Panel (E) into Repeat Floor (K-5H52).

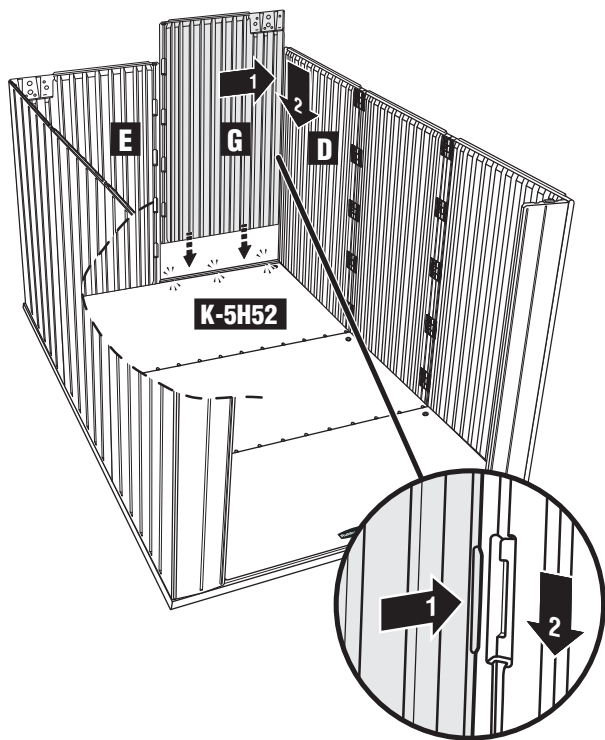
**12**

Repeat Steps 8-13 to assemble right side of shed.
Continue to Step 15.

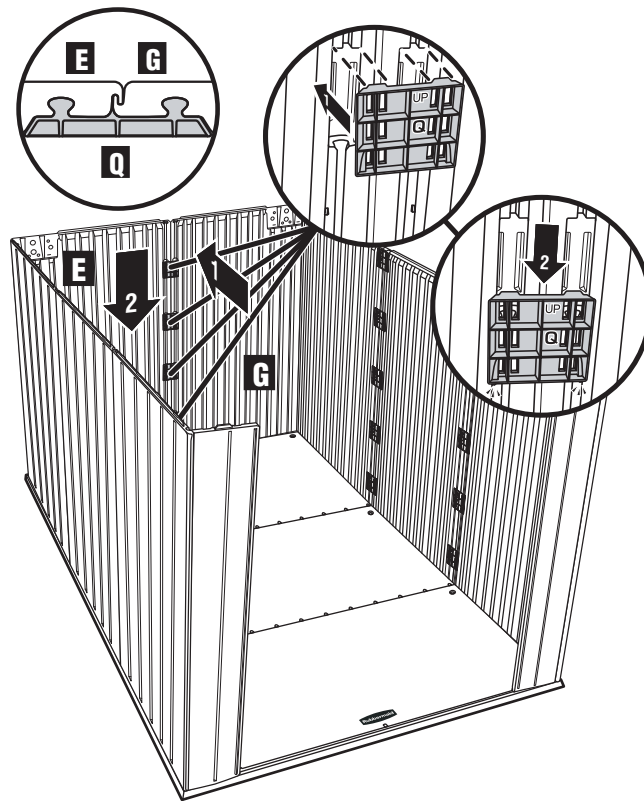


13

Lubricate dovetails on Right Back Panel (G) 4 places with liquid soap. Connect Right Back Panel (G) into dovetails of Right Side Panel (D), engage snaps on bottom of Right Back Panel (G) into Repeat Floor (K-5H52).

**14**

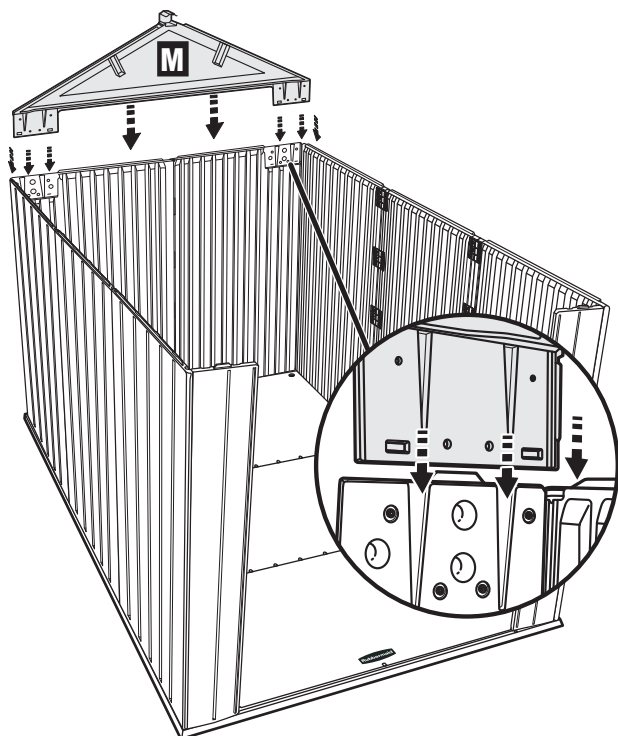
Engage lap joint between Left Back Panel (E) and Right Back Panel (G) and install Wall Connectors (Q) 4 places.



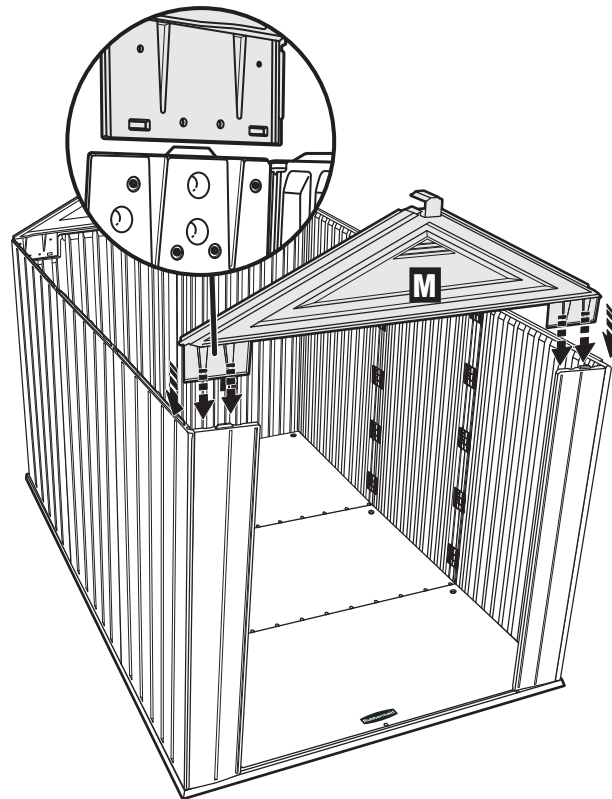
NOTE: Front Gable and Doors not shown.

15

Install Gable (M) onto top of back wall engaging the 2 dovetails on the back panel and the dovetail on the side panel on both the left and right sides of the shed.

**16**

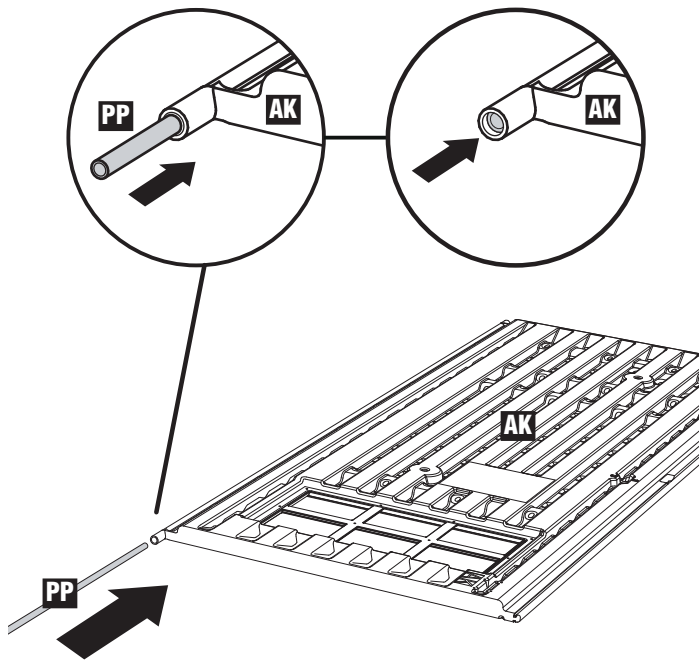
Install Gable (M) onto top of front wall engaging the 2 dovetails on the front panel and the dovetail on the side panel on both the left and right sides of the shed. **DO NOT ENGAGE THE SNAPS.**



NOTE: Front Gable and Doors not shown.

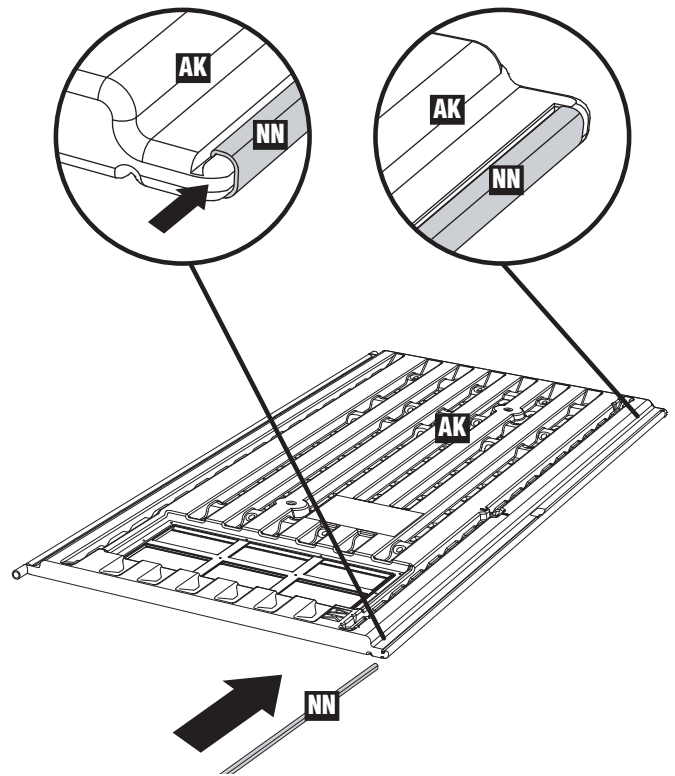
17

Set the Left Door Panel (AK) face down on the ground. Slide the Hinge Reinforcement (PP) into the hole on the top door pin. The Hinge Reinforcement (PP) will slide in until it is below the end of the door pin.



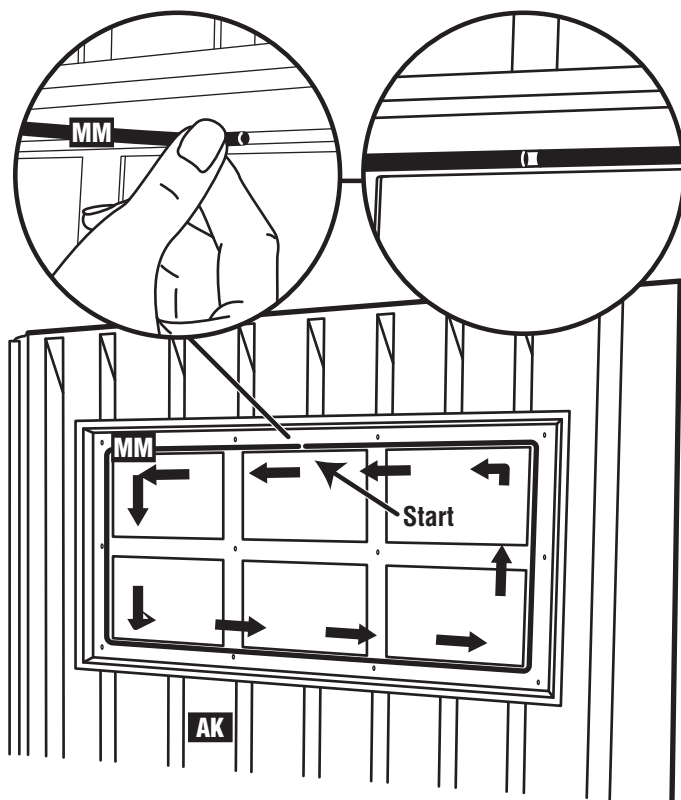
18

Starting at the top of the door, slide the Door Reinforcement (NN) onto the groove located on the handle side of the door. The Door Reinforcement (NN) will slide to the stop at the bottom of the door.



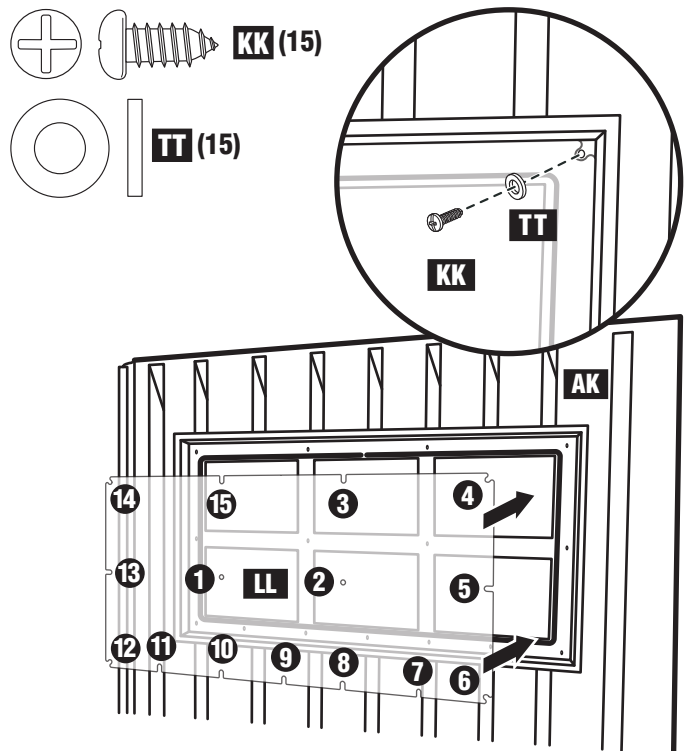
19

Install the Gasket (MM) into the gasket groove in the door. Start at the top and middle, by pushing the gasket into the groove. Continue until the Gasket (MM) is fully installed. There will be a small gap between the ends of the gasket.



20

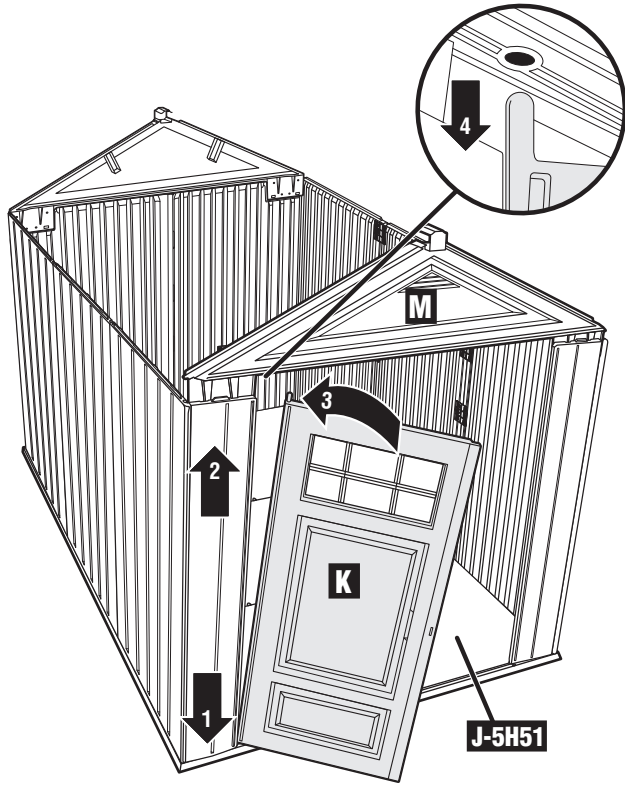
Install the Window (LL) onto the door by matching up the holes and installing the Screws (KK) and Washers (TT) 15 places. The "frosted" side of the window should be touching the gasket. Install screws in order starting at position 1. Repeat steps 20-23 for Right Door Panel (AF).



Caution: Tighten screws only enough to compress gasket. Do not overtighten.

21

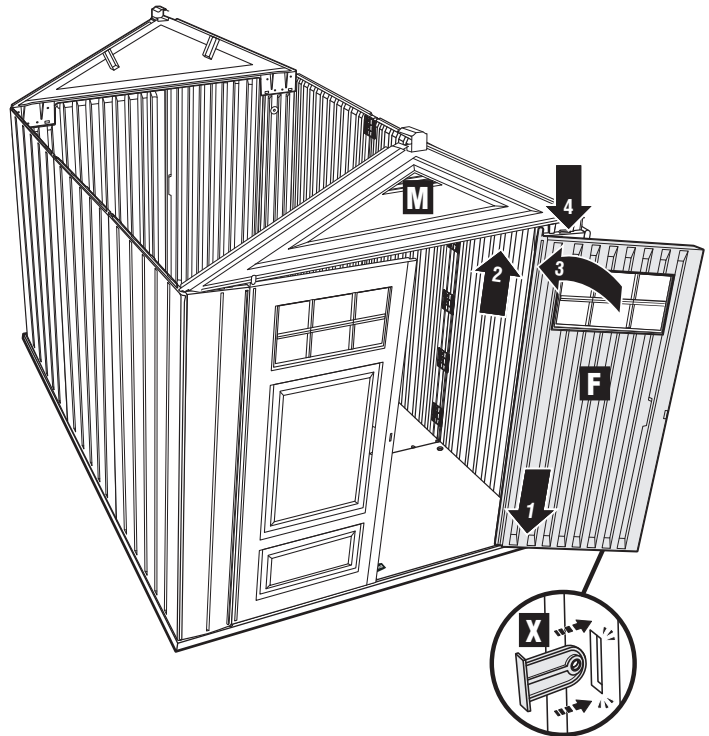
Install Left Door Panel (K) inserting the lower hinge pin into Front Floor (J-5H51) socket, lift the left end of the Gable (M) enough to insert the top hinge pin on Left Door Panel (K) into the Gable (M) socket.



22

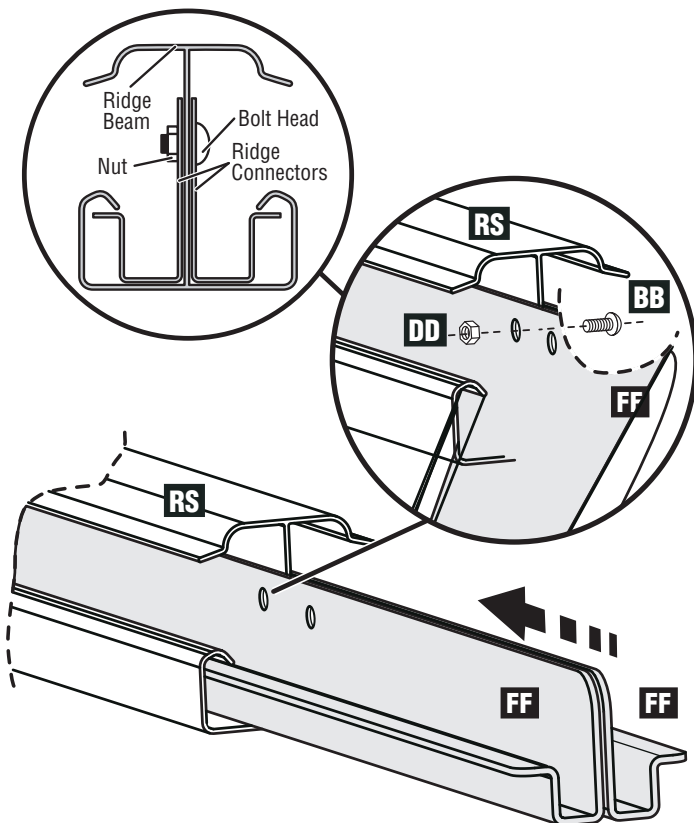
Install Right Door Panel (F) inserting the lower hinge pin into Front Floor (J-5H51) socket, lift the right end of the Gable (M) enough to insert the top hinge pin on Right Door Panel (F) into the Gable (M) socket.

Install Lock Hasp (X) on interior side of Right Door Panel (F). Engage Gable (M) snaps on front wall.



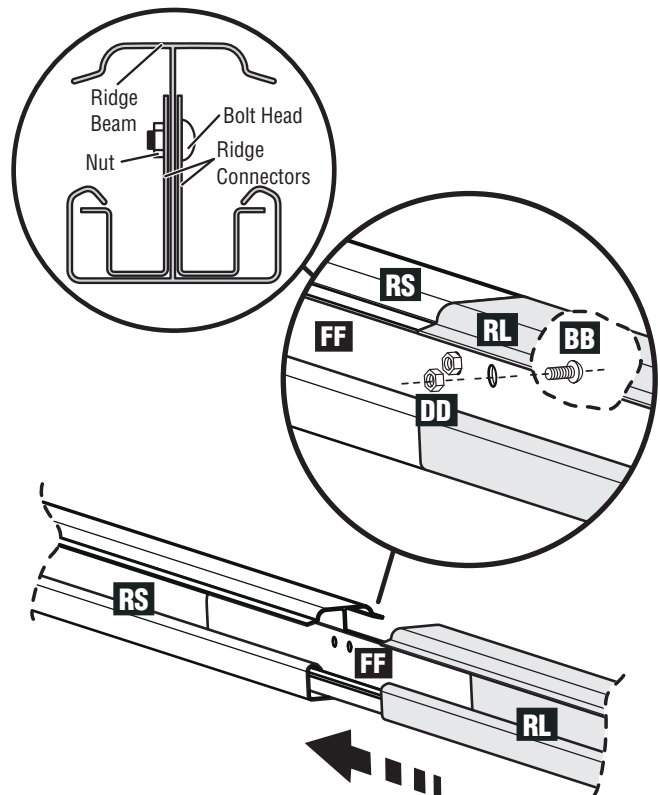
23

Slide Ridge Connector (FF) into the Ridge Beam (RS) until hole in Ridge Connector (FF) is aligned with slot in Ridge Beam (RS) 2 places. Install Bolt (BB) and Nut (DD) 1 place.



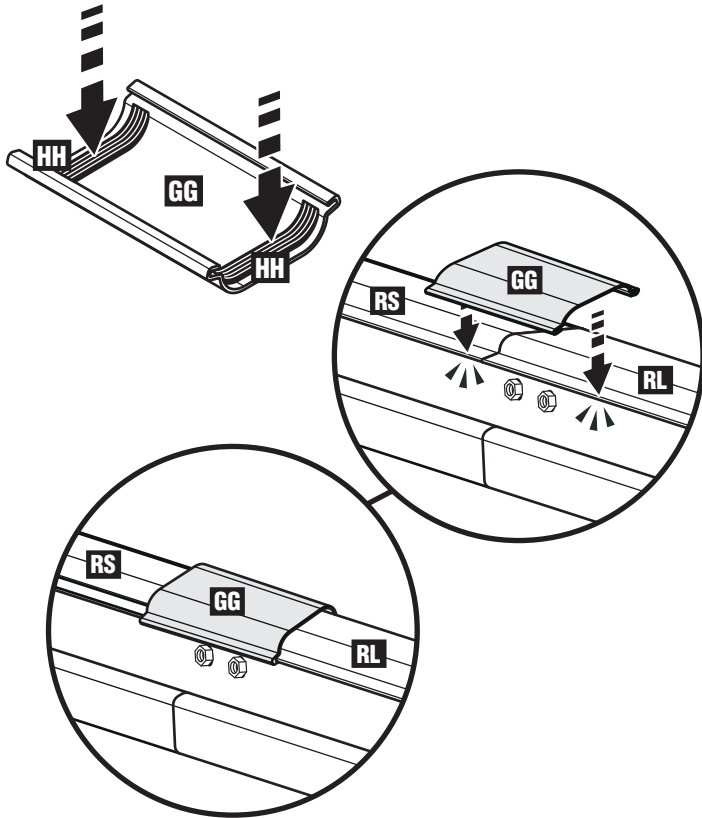
24

Slide Ridge Beam (RL) onto the Ridge Beam Assembly. Install Bolt (BB) and Nut (DD) 1 place.



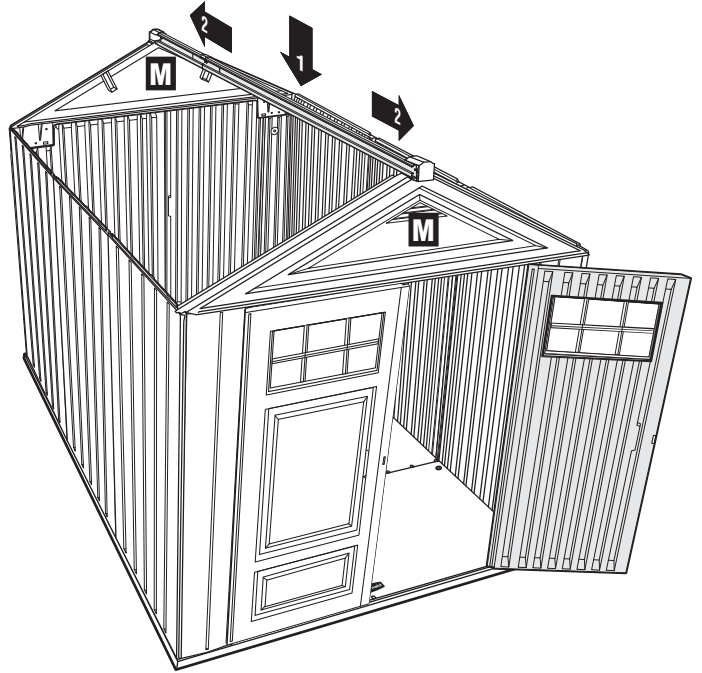
25

Apply Ridge Tape (HH) to Ridge Cap (GG) 2 places. Snap Ridge Cap (GG) onto the Ridge Beam Assembly covering the seam.



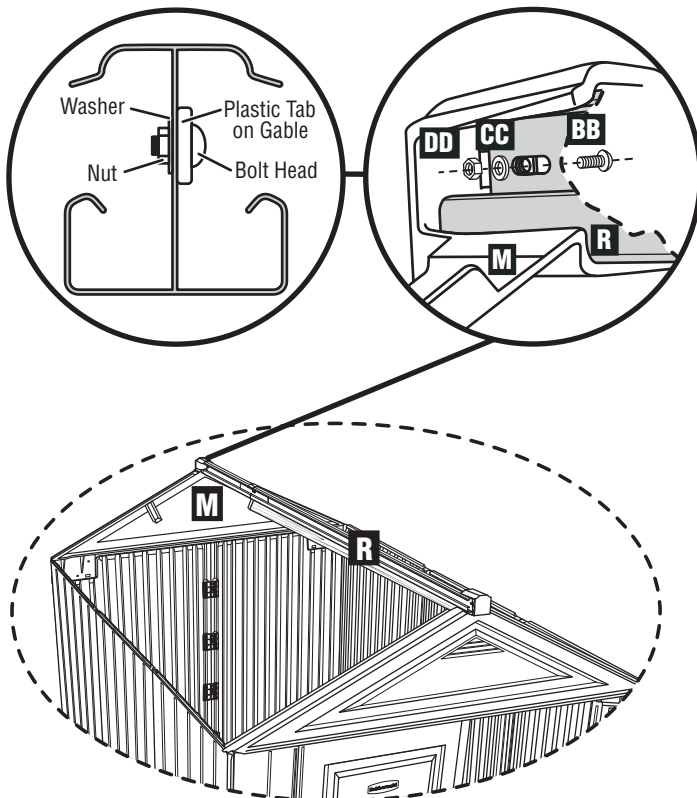
26

Place the Ridge Beam Assembly into cups at the top of each Gable (M).



27

Align slots in Ridge Beam Assembly with holes in Gable (M) tab at back, install Bolt (BB), Washer (CC), and Nut (DD) 1 place, **ONLY TIGHTEN NUT "FINGER" TIGHT.**

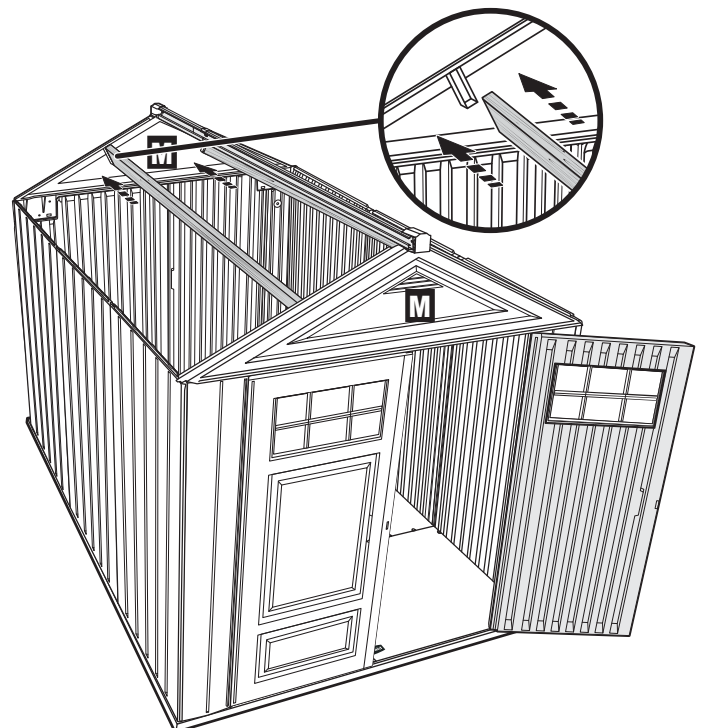


28

OPTIONAL STEP:

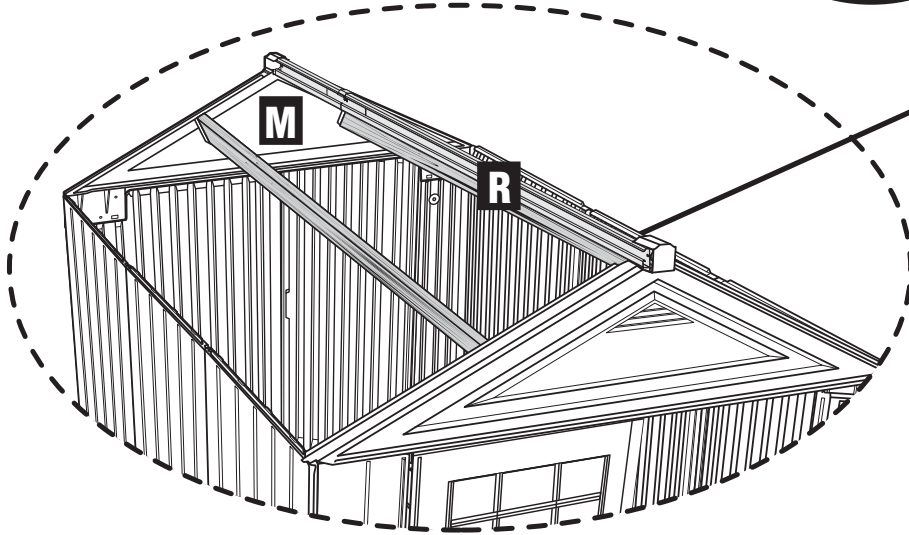
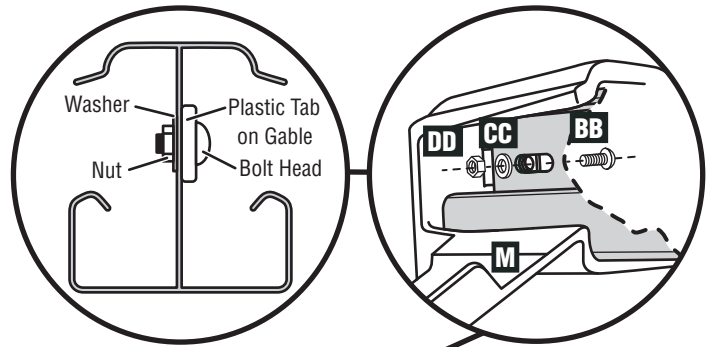
Install (2) 2" x 6" x 124-1/4" pieces of lumber into Gable (M). (Lumber not included.)

Note: Highly recommended for areas of extreme snow or extreme heat. Usage of the lumber supports is optional. The Big Max Ultra Shed is designed to function properly without them; however the lumber provides extra roof support in extreme conditions.



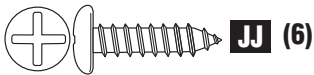
29

Align slots in Ridge Beam Assembly with holes in Gable (M) tab, install Bolt (BB), Washer (CC), and Nut (DD) 1 place, **ONLY TIGHTEN NUT "FINGER" TIGHT.**

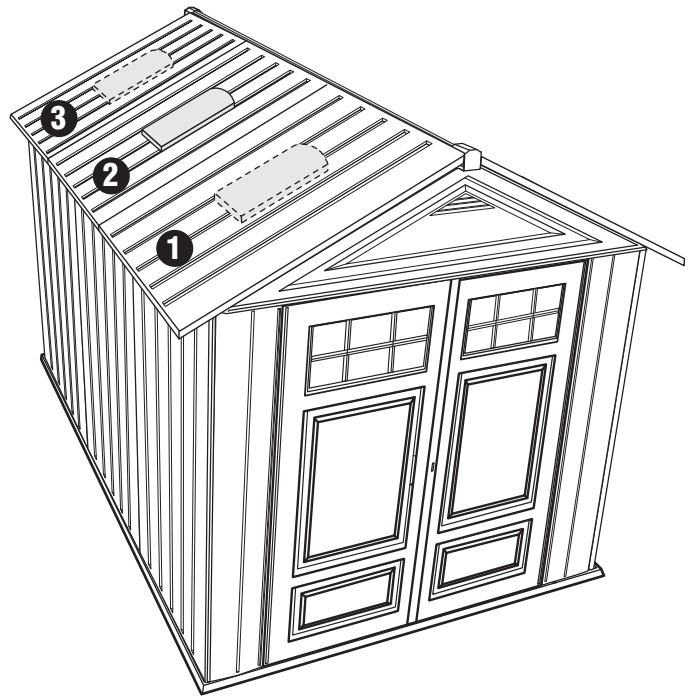
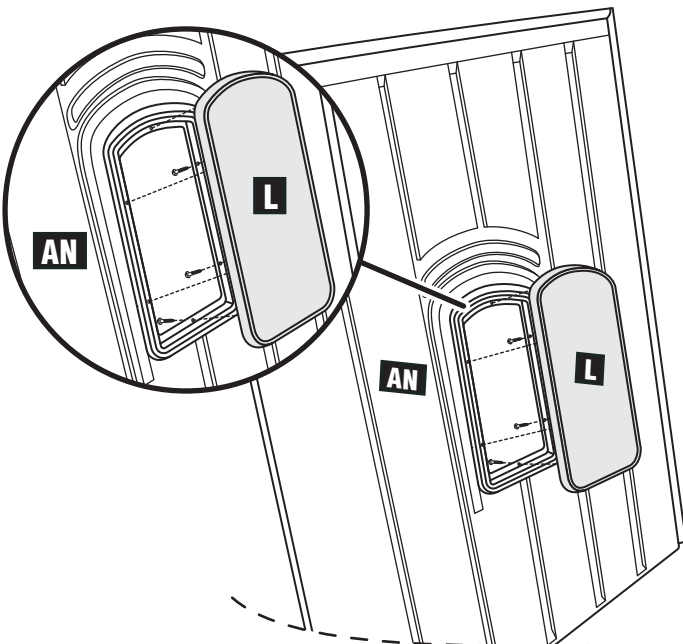


30

Using a screwdriver, punch out the screwholes on the Left Skylight Roof Panel (AN) 6 places.
Attach the Skylight (L) to the Left Skylight Roof Panel (AN), install Screws (JJ) 6 places.



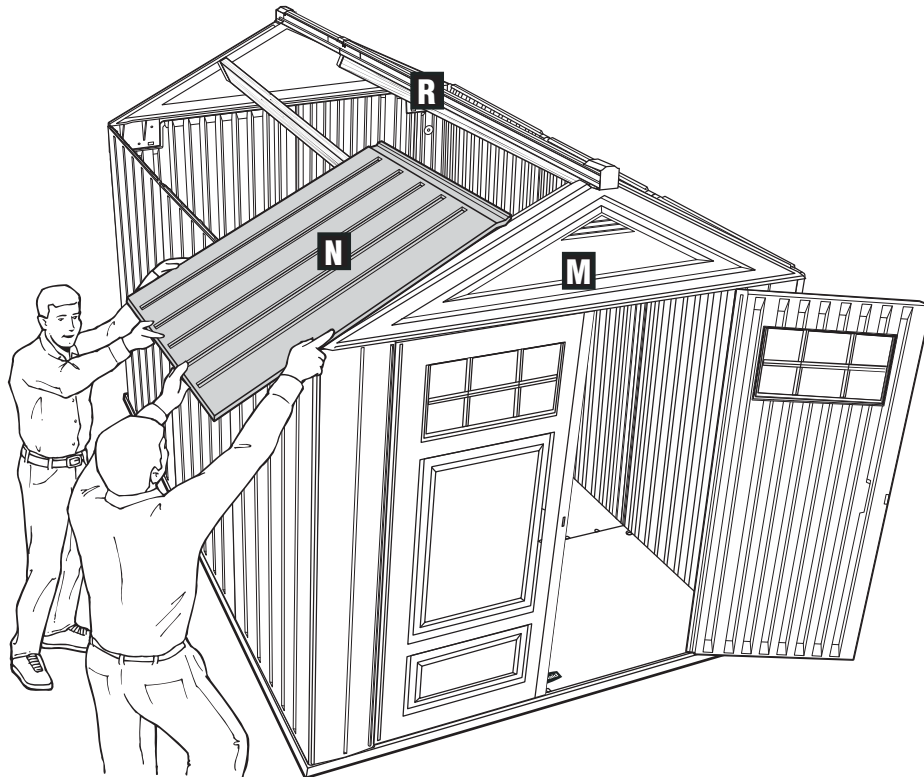
Caution: When installing screws do not overtighten.



The Skylight Roof Panel can be assembled in 1 of 3 different positions.
Assembly instructions show the Skylight Roof Panel being assembled in position 2.

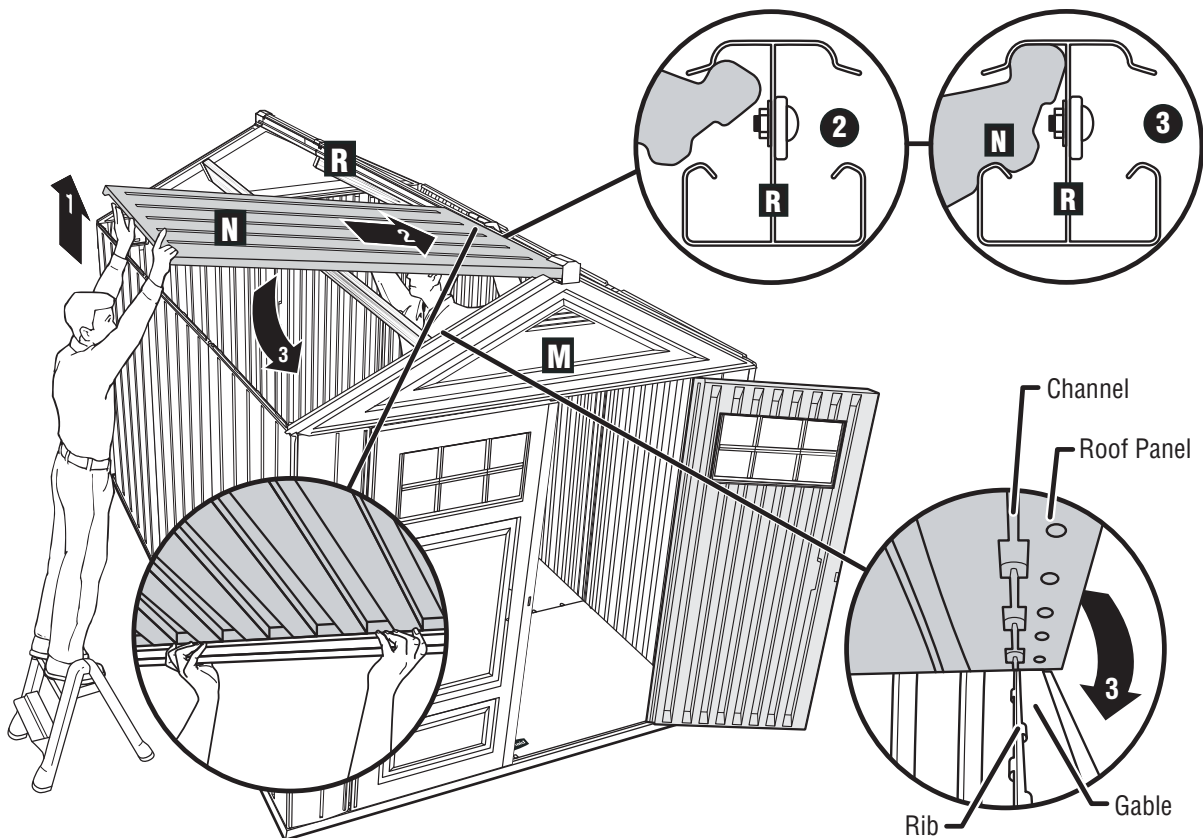
31

Lubricate roof snaps on left side of the front Gable (M) 4 places.
Raise the Left Roof Panel (N) onto the left side of the shed assembly, the arrows on the Roof Panel should face the inside of the shed and point towards the Ridge Beam Assembly.



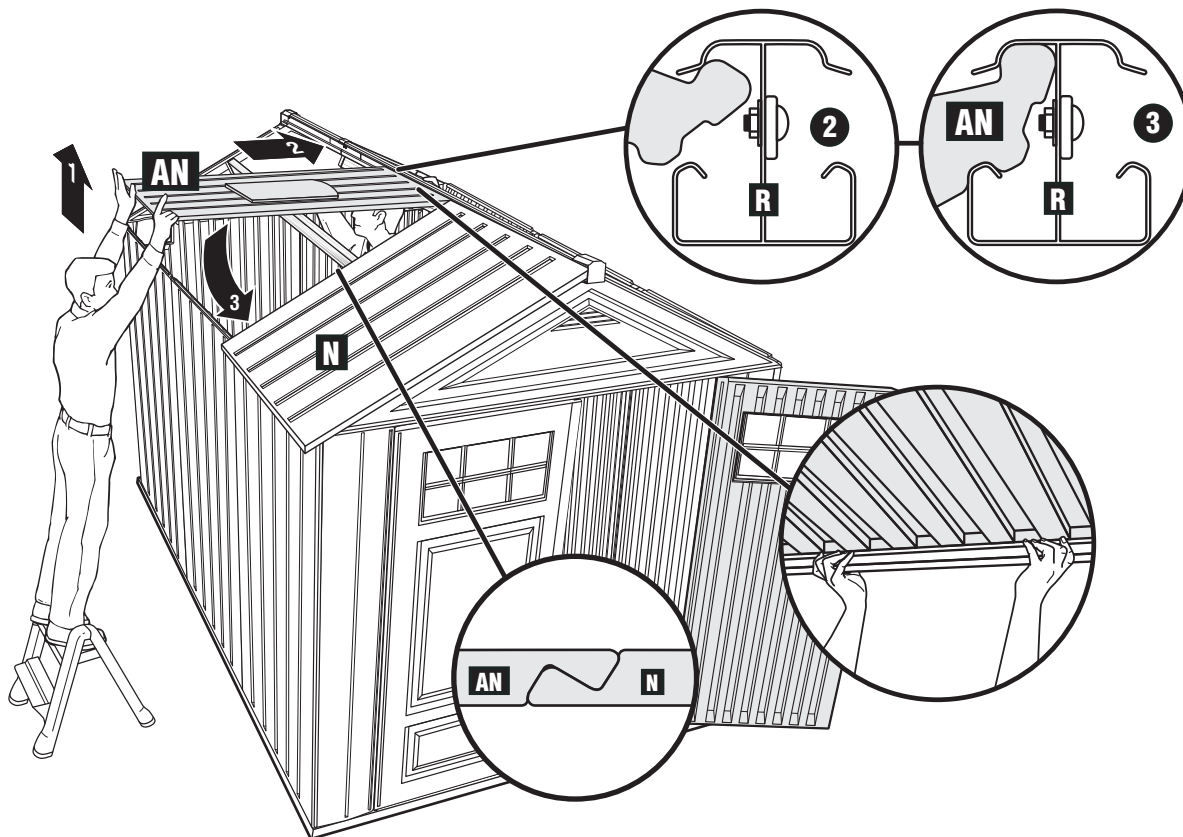
32

Using (2) stepstools (1 inside shed, 1 outside shed), lift the bottom of the Roof Panel **above horizontal** and guide into the Ridge Beam Assembly. Align the front Gable (M) rib with the channel in the Left Roof Panel (N). Engage Left Roof Panel (N) in the Ridge Beam Assembly by lowering the bottom of the Roof Panel onto the shed assembly (**hold Ridge Beam Assembly to prevent twisting**). **DO NOT SNAP ROOF DOWN.**



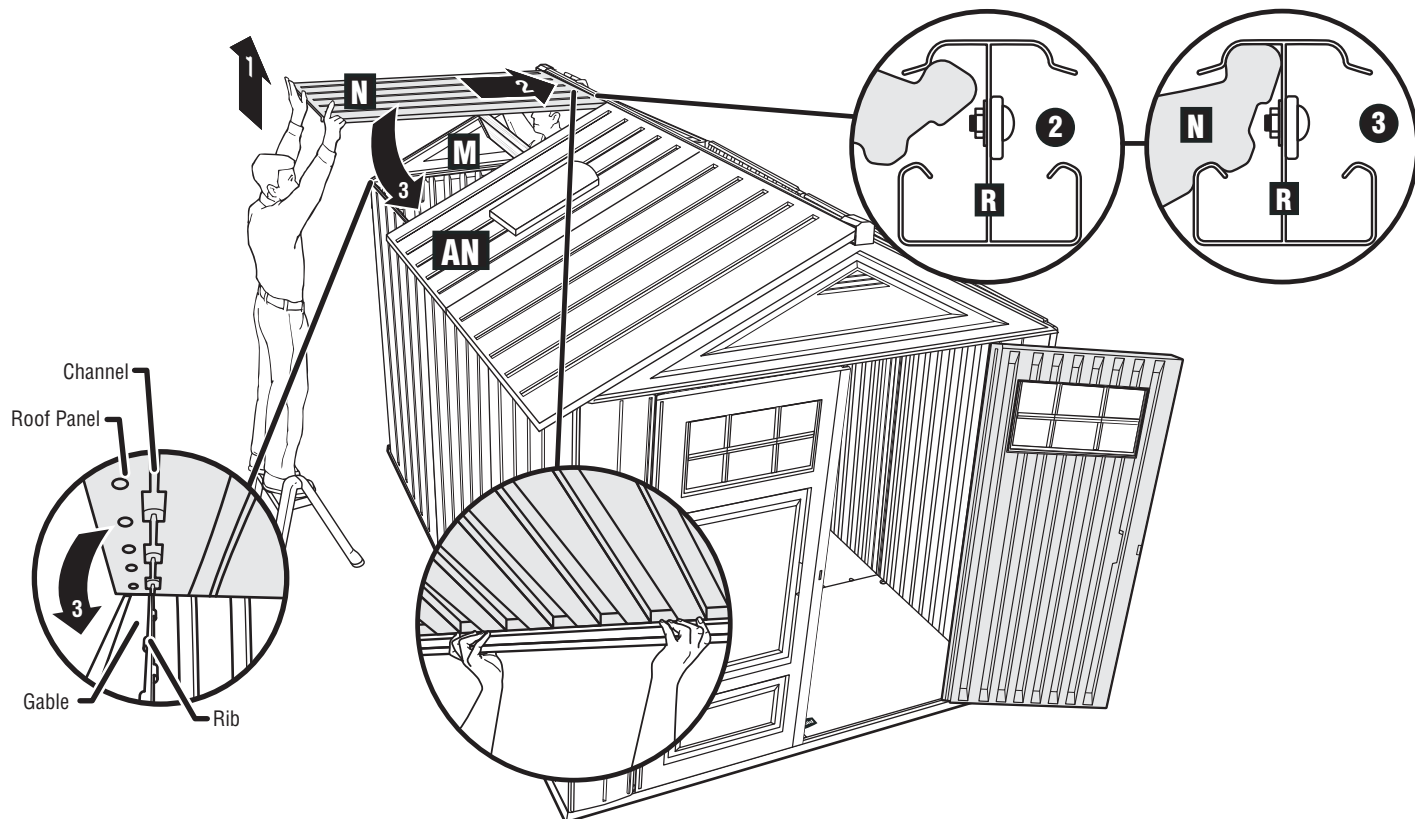
33

Raise the Left Skylight Roof Panel (AN) onto the left side of the shed assembly, the arrows on the Roof Panel should face the inside of the shed and point towards the Ridge Beam Assembly. Using (2) stepstools (1 inside shed, 1 outside shed), lift the bottom of Left Skylight Roof Panel (AN) **above horizontal** and guide into the Ridge Beam Assembly. Align the lap joint between the Roof Panels. Engage Skylight Left Roof Panel (AN) in the Ridge Beam Assembly by lowering the bottom of the Roof Panel onto the shed assembly (**hold Ridge Beam Assembly to prevent twisting**). **DO NOT SNAP ROOF DOWN.**



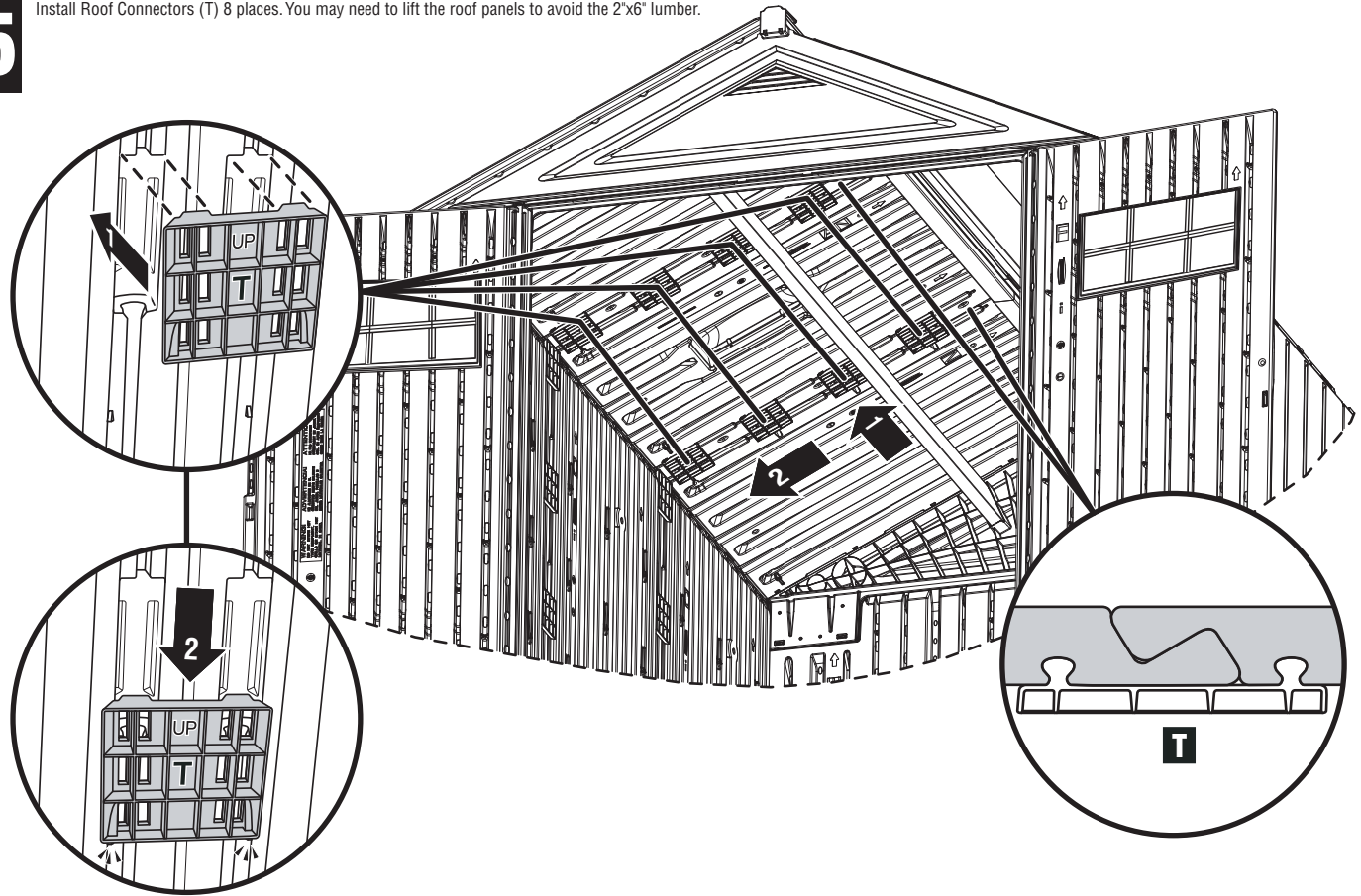
34

Lubricate roof snaps on left side of the back Gable (M) 4 places. Raise the Left Roof Panel (N) onto the left side of the shed assembly, the arrows on the roof panel should face the inside of the shed and point towards the Ridge Beam Assembly. Using (2) stepstools (1 inside shed, 1 outside shed), lift the bottom of the roof panel **above horizontal** and guide into the Ridge Beam Assembly. Align the back Gable (M) rib with the channel in the Left Roof Panel (N). Engage Left Roof Panel (N) in Ridge Beam Assembly by lowering the bottom of the Roof Panel onto the shed assembly (**hold Ridge Beam Assembly to prevent twisting**). **DO NOT SNAP ROOF DOWN.**



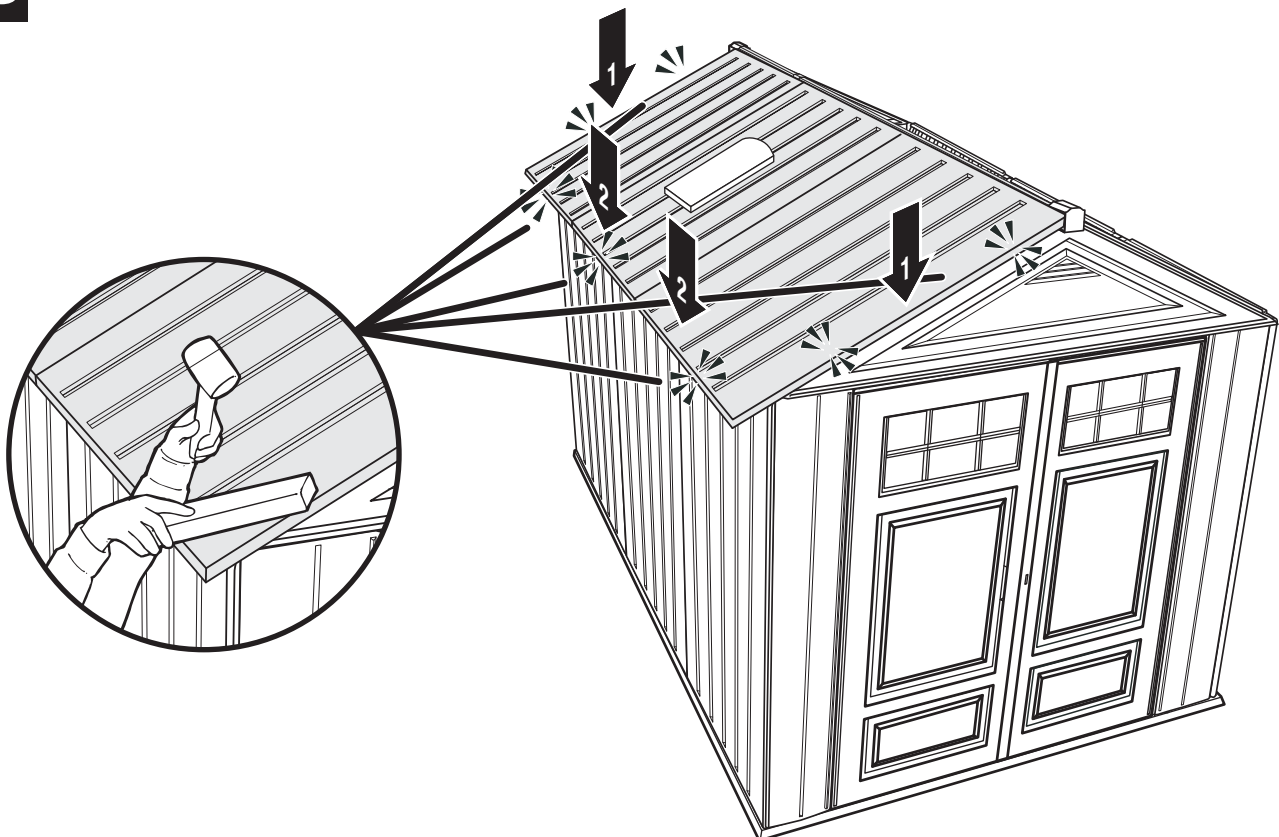
35

Install Roof Connectors (T) 8 places. You may need to lift the roof panels to avoid the 2"x6" lumber.



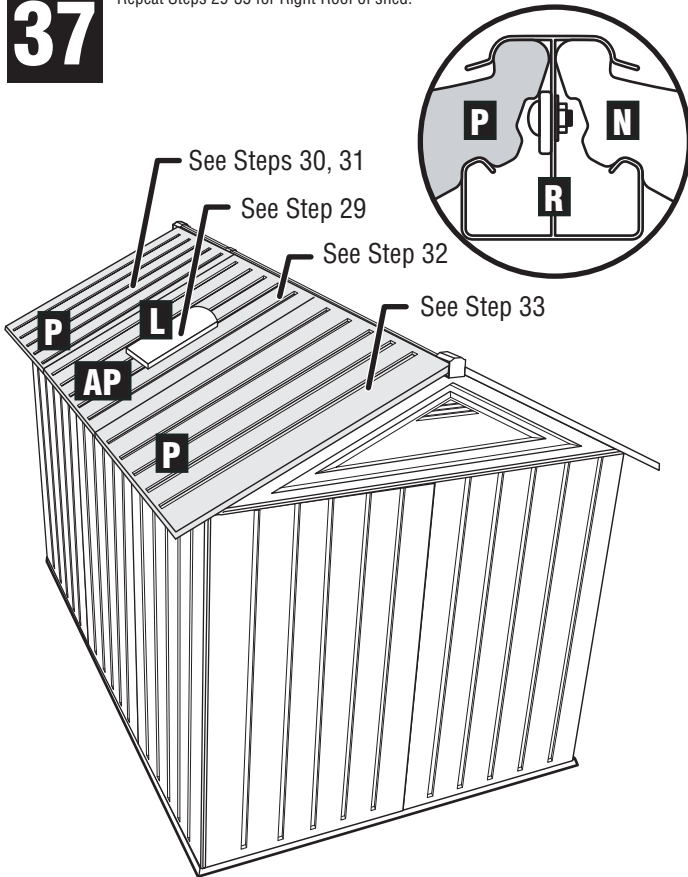
36

Engage all snaps between the Roof Panels and Gables. Then engage all snaps between Roof Panels and Wall Panels.



37

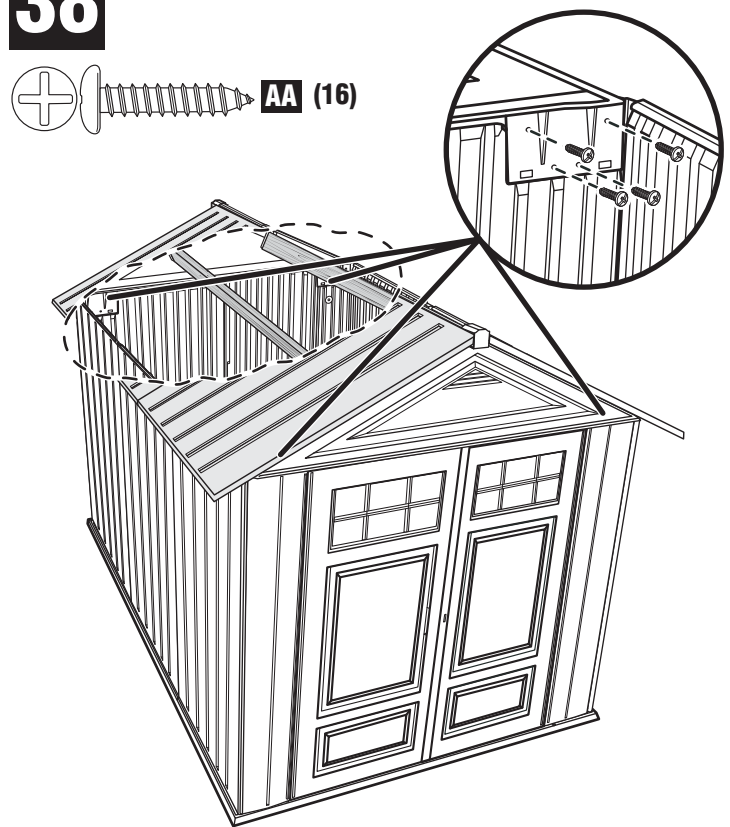
Repeat Steps 29-35 for Right Roof of shed.



Back of shed shown

38

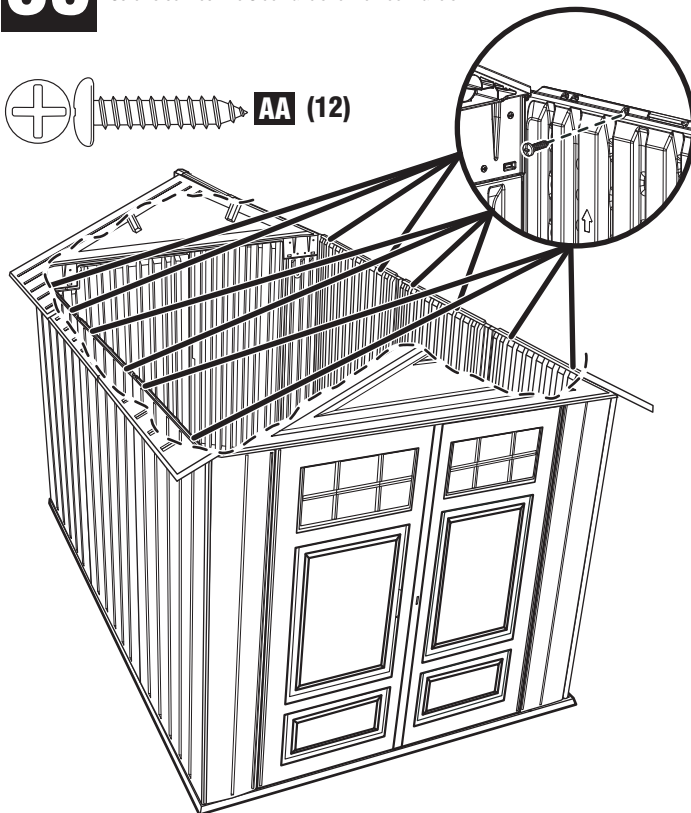
Install Screws (AA) 16 places in front and back Gable (M).



Caution: When installing screws do not overtighten.

39

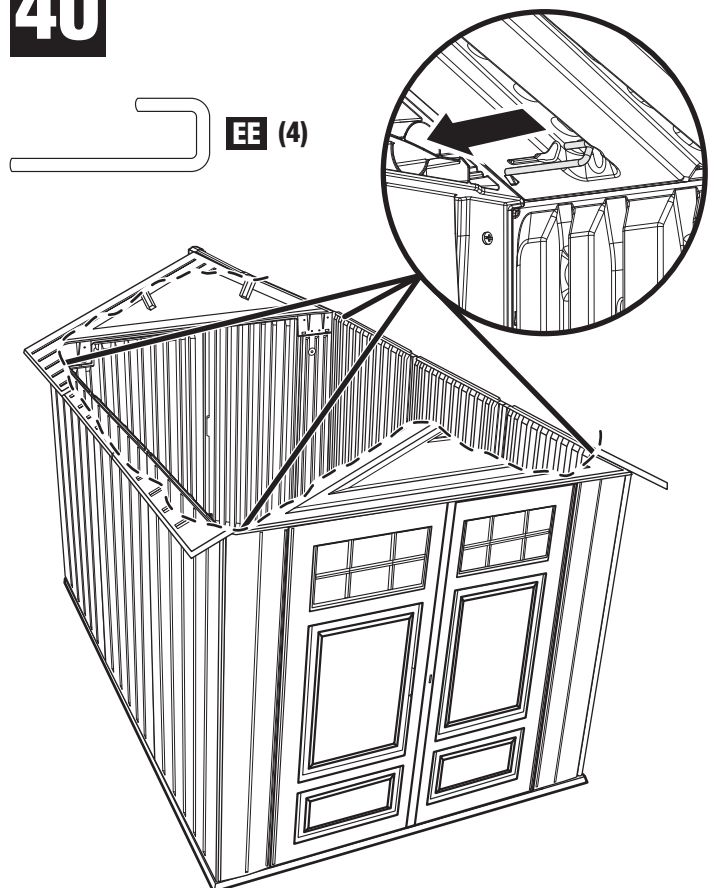
While 1 person holds down the bottom of the Roof, install Screws (AA) 12 places in screw holes on top of each Left Side Panel (C) and Right Side Panel (D). Screws connect the Side Panels to the Roof Panels.

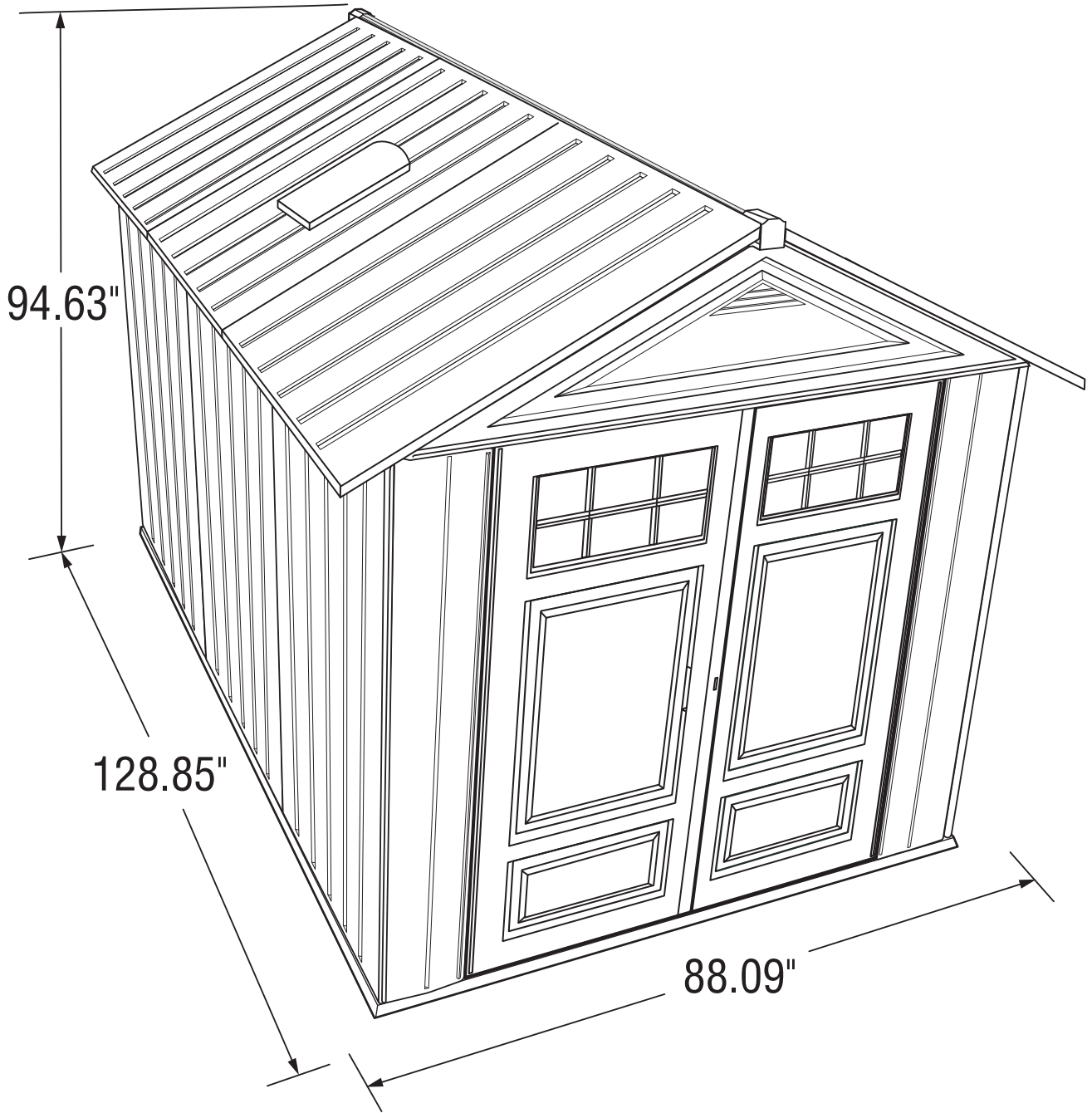


Caution: When installing screws do not overtighten.

40

Install Roof Pins (EE) 4 places connecting the Roof Panels to the Gables.







Congratulations!

We hope you enjoy your
Rubbermaid® 7' x 10' 6" Storage Building!

For more information on all Rubbermaid® products,
go to www.rubbermaid.com

Customer Service

Toll Free: 1-888-895-2110
M-F 8:30 AM to 5:00 PM EST
or visit us at www.rubbermaid.com

Printed in U.S.A.
© 2012 Rubbermaid Incorporated
Huntersville, NC U.S.A. 28078-1801
www.rubbermaid.com

A **NewellRubbermaid** Brand