



Available August 15, 2014 - (80 CFM)

	<b>Full Speed:</b>	<b>Low Speed:</b>		
	80 CFM/0.8 Sones @ 0.1 SP, 11.5 Watts 63 CFM/1.3 Sones @ 0.25 SP, 11.4 Watts	50 CFM/0.4 Sones @ 0.1 SP, 5.3 Watts 40 CFM/0.6 Sones @ 0.25 SP, 7.0 Watts		

**Description**

Low noise ceiling mount ventilating fan rated for continuous running. Fan is ENERGY STAR® qualified, HVI, UL, and cUL certified, and can be used to comply with ASHRAE 62.2 (local and whole building continuous and intermittent operation), CA Title 24, and CALGreen requirements.

**Motor/Blower**

- Power rating of 120 volts/60Hz
- DC brushless motor engineered to run continuously
- Motor equipped with thermal cutoff fuse.
- Removable with permanently lubricated plug-in motor

**Housing**

- Galvanized steel body
- Detachable 4" diameter duct adapter
- Built-in backdraft damper
- Easy installation with expandable extension bracket

**Grille**

- Attractive design using ABS material
- Attached to housing with included grille bracket

**Light**

- (1) GU24 26-Watt CFL lamp included

**LED Indicator**

- Blue and amber LED indicator lights to show humidity sensor and full speed modes

**Warranty**

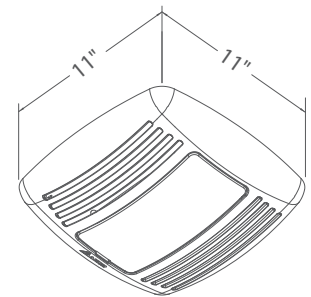
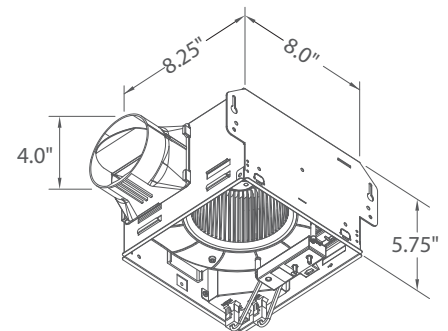
- 3-year limited warranty

**Features**

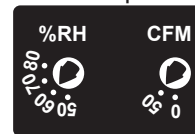
- Adjustable humidity set points between ~50% to ~80% RH
- Adjustable low speed airflow
- For ceiling mount only, airflow of 80 CFM(±10%) and 0.8 Sones at 0.1" static pressure
- Power consumption approximately 11.5 Watts with an efficiency rating approximately 6.9 CFM/Watt at 0.1" static pressure
- UL and cUL listed for tub/shower enclosure when used with GFCI-protected branch circuit wiring

**DC Motor Technology**

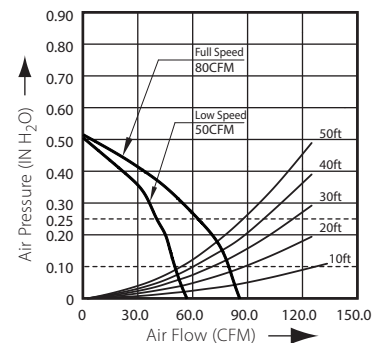
- Allows fan to operate in full speed mode or humidity control mode by manual switch
- For humidity control mode, when humidity is above the user-adjustable set-point, fan runs at full speed (80 CFM). When humidity is below the set-point, the fan runs continuously at a pre-set lower level (0 or 50 CFM)
- Built-in soft start function to increase bearings' life
- Automatically powers OFF when impeller is locked abnormally



**Control Options**



**Fan Curve**



GreenBuilder GBR80HL	Continuous low speed		Full speed	
	0.1	0.25	0.1	0.25
Static Pressure (inches w.g.)	0.1	0.25	0.1	0.25
Air Flow (CFM)	50	40	80	63
Sones	0.4	0.6	0.8	1.3
Power Consumption (Watts)	5.3	7.0	11.5	11.4
Energy Efficiency (CFM/Watt)	9.4	5.7	6.9	5.5
Current (Amps)	0.17 Max		0.22 Max	
Power Rating (V/Hz)	120/60			

Model	Quantity	Comments	Project:
			Location:
			Architect:
			Engineer:
			Contractor:
			Submitted by:
			Date: