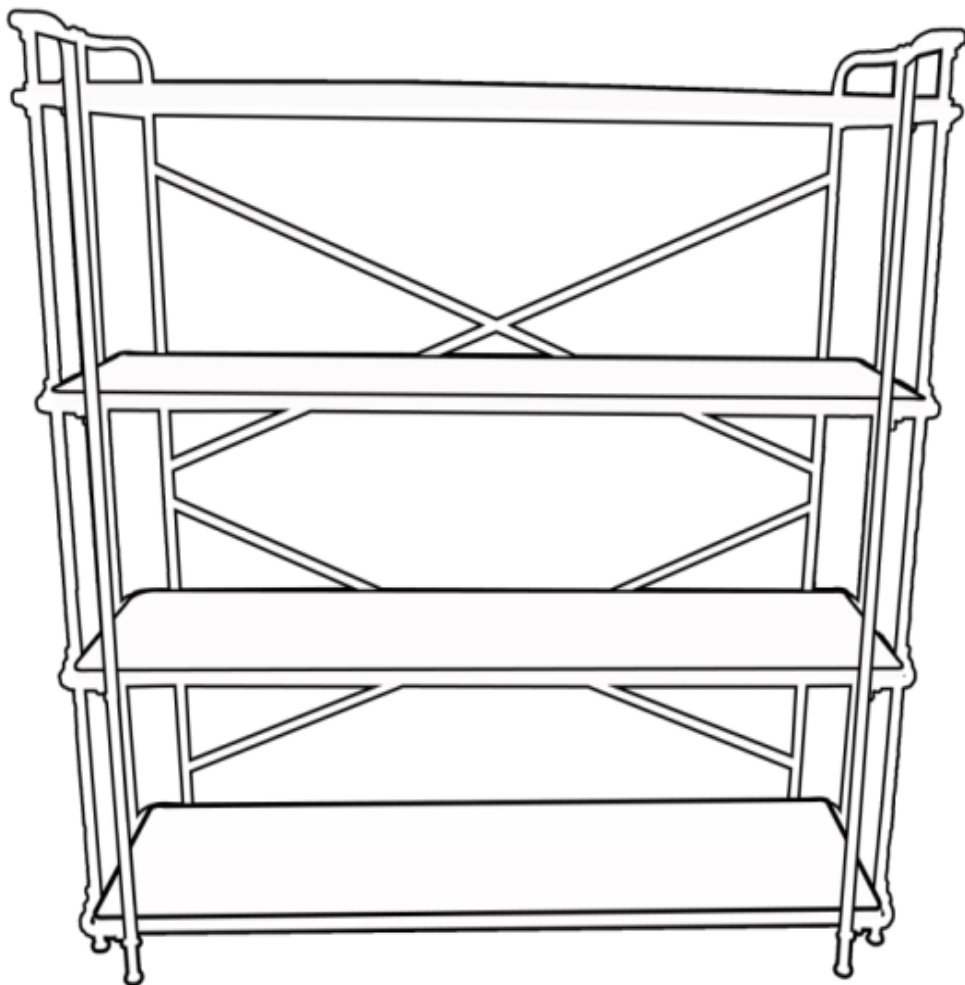


# Assembly Instructions

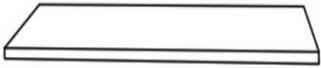



**Caution : You must read this before you proceed**

NOTE: It is recommended that you have a partner to assist during the entire assembly process.





## Bookcase



## Parts List

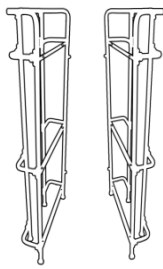
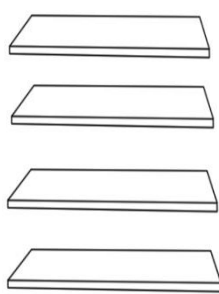
Label	Picture	Description	QTY
A		Wooden Shelf	4
B		Left Leg Frame	1
C		Right Leg Frame	1
D		"X" Iron Stretcher	2

## Hardware

Label	Picture	Description	QTY
1		Nut	9
2		Wrench	1
3		Bolt(M6*15)	17
4		Allen Key	1

# Assembly Preparation

Before Beginning Assembly :



- Read instructions, cover to cover-



- Have 2 adults on hand for assembly-



- Do not assemble on flooring or carpet-

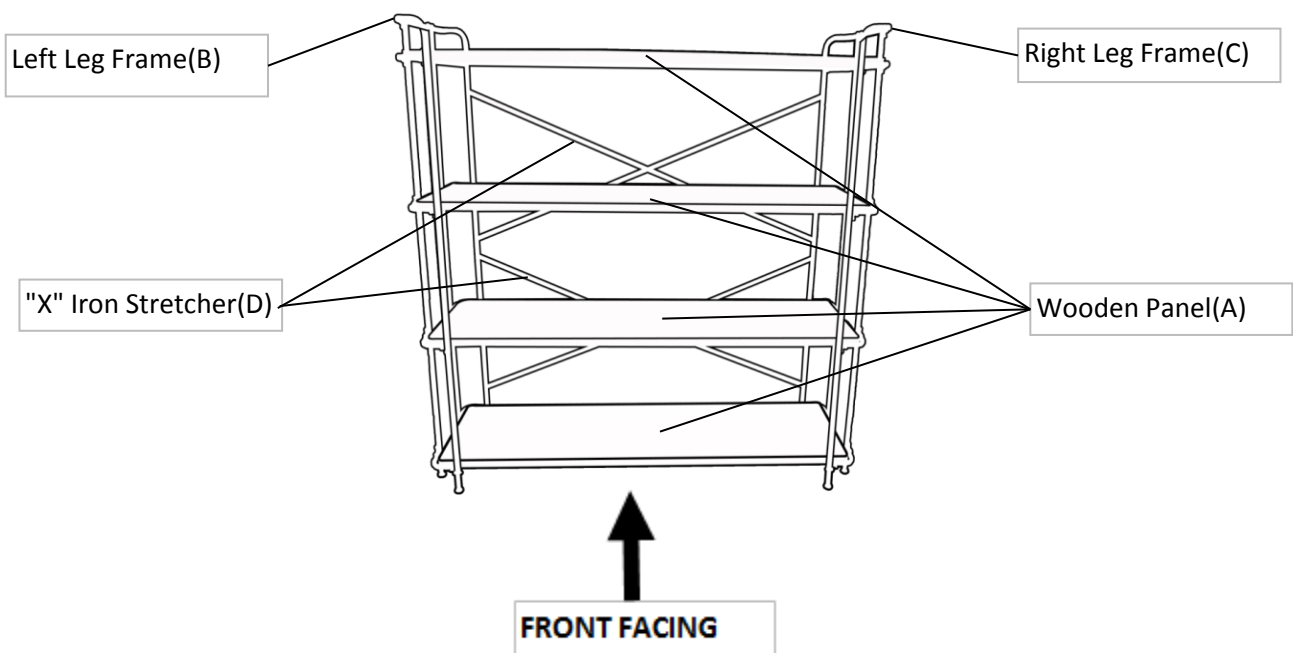


- Assemble on a clean non-marring surface (packing foam)-



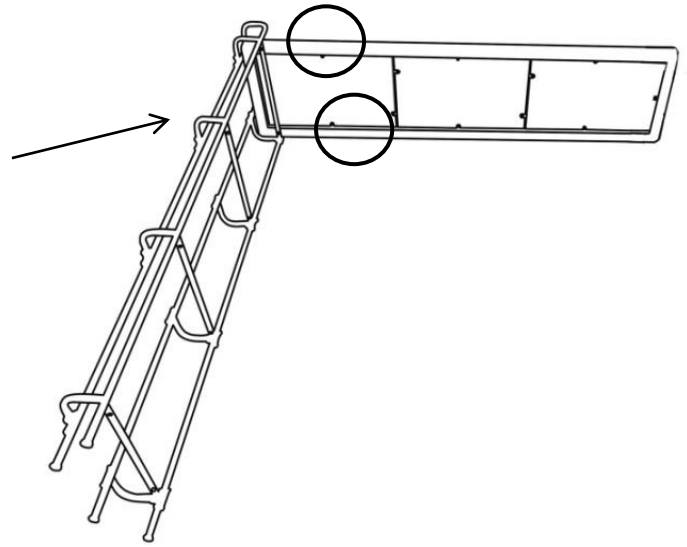
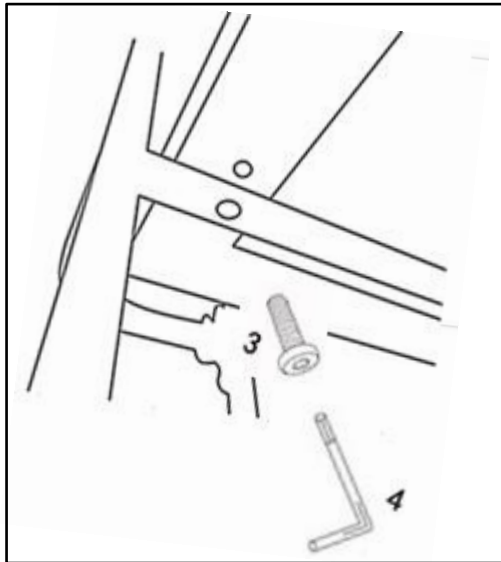
- Save all packaging until finished-

## Parts Introduction



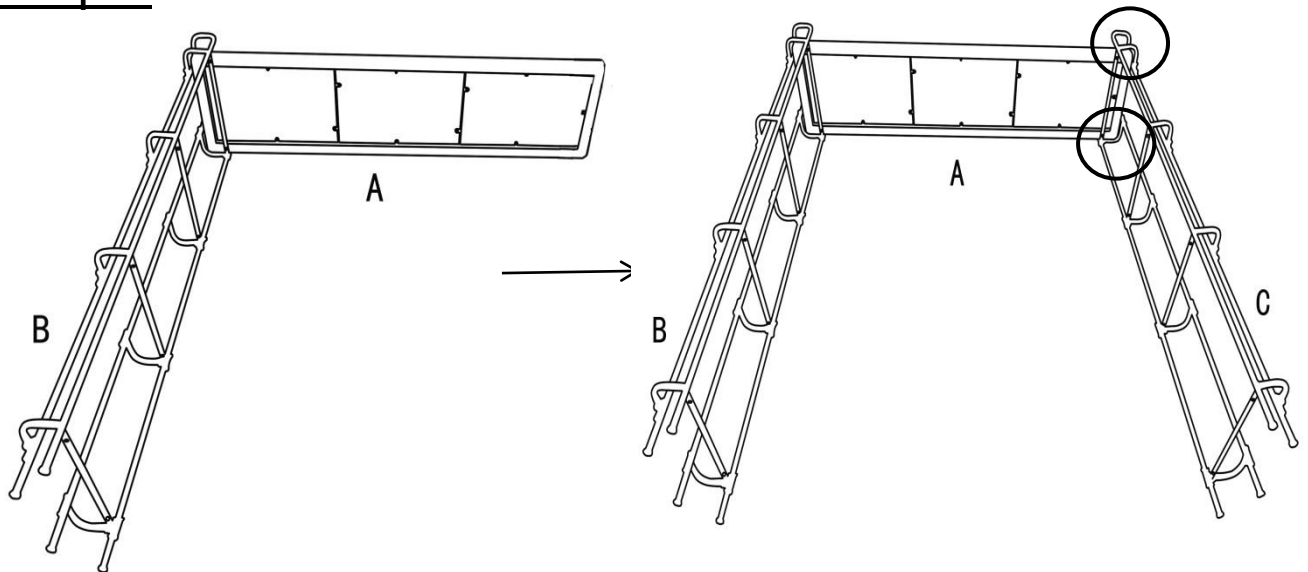
This Bookcase has multiple parts and may require up to some 30 minutes to assemble. To give you an overview of the Bookcase parts, the above picture is to help you put the various parts into perspective. Please read through the instructions herebelow to familiarise the parts and steps before assembly.

## Step 1



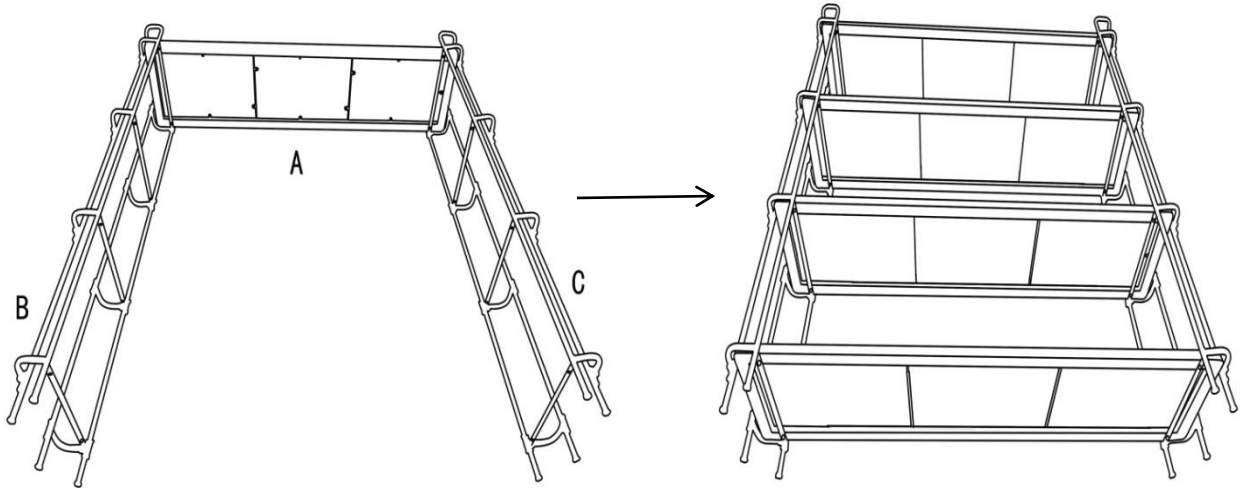
Open the carton and place all parts onto a clean, non-marring surface.  
Place the Left Leg Frame(B) on it's side as shown.  
Attach top Wooden Shelf(A) first to Left Leg Frame(B) using Bolt(3) with Allen Key(4).  
**Only Loosely Tighten.**

## Step 2



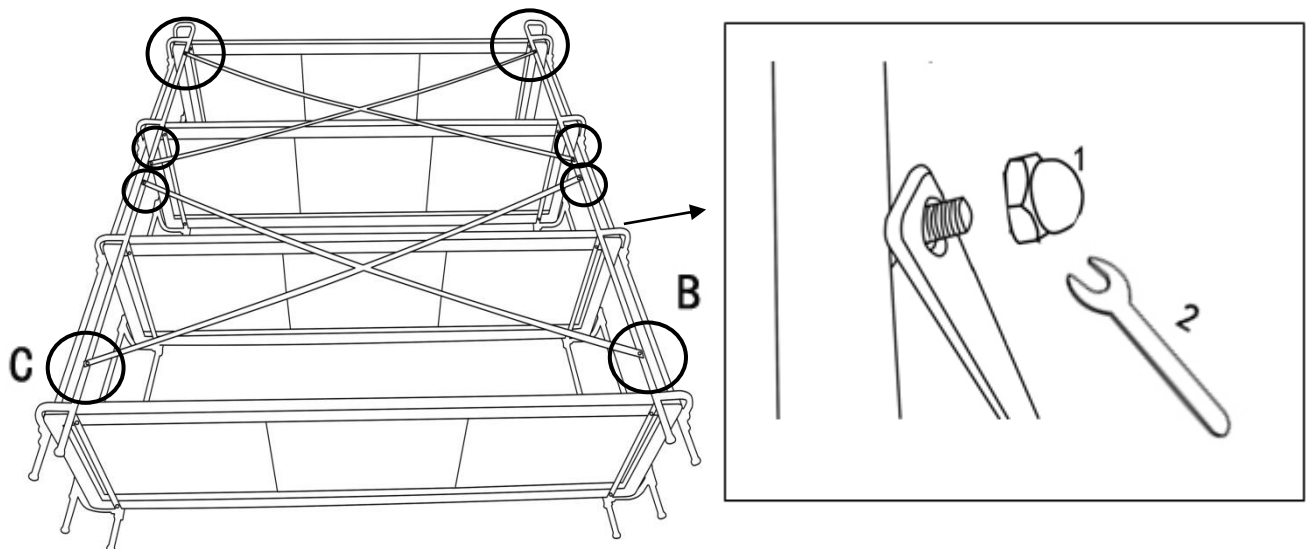
Attach Wooden Shelf(A) to Right Leg Frame(C) using Bolt(3) with Allen Key(4).  
**Only Loosely Tighten.**

### Step 3



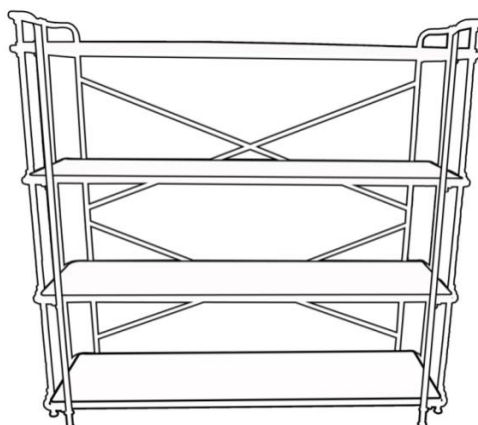
Repeat Steps 1 & 2 with remaining 3 Wooden Shelves(A) from top to bottom.  
**Only Loosely Tighten.**

### Step 4



Turn the Bookcase face down as shown.  
Rotate the "X" Iron Stretcher(D) to the desired position towards the four corners of the Bookcase.  
Attach "X" Iron Stretcher to the Bookcase using Nut(1) with Wrench(2).  
Repeat this process with the second "X" Iron Stretcher.  
**Only Loosely Tighten.**

### Step 5



Stand the Bookcase up.

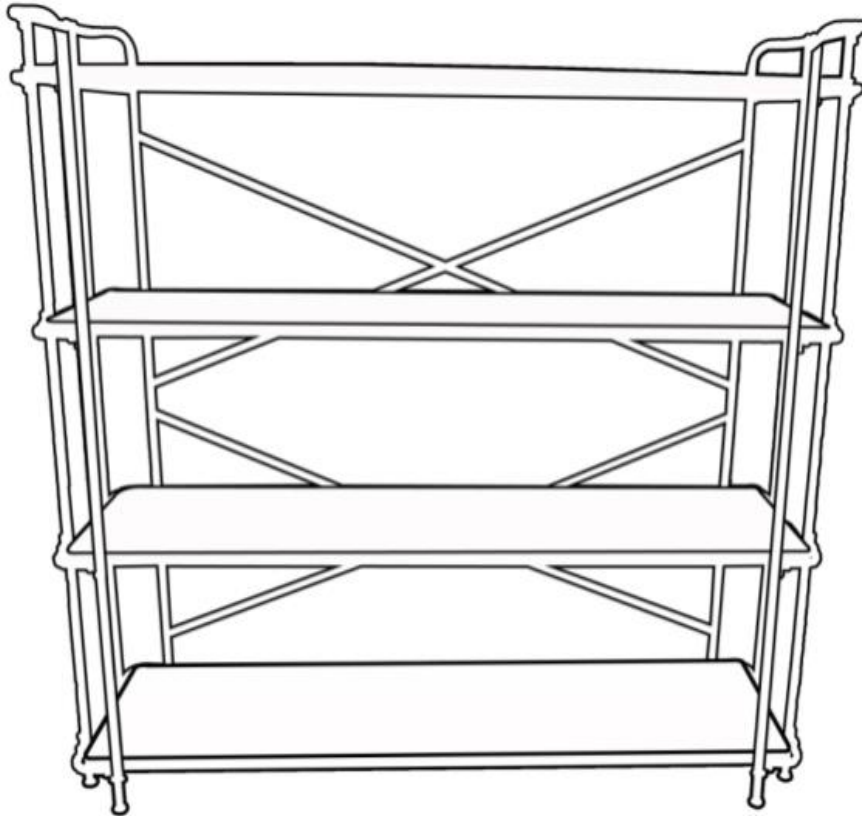
Check for stability and then tighten the Bolts.

**DO NOT** fully tighten a BOLT in one go and then move on to the next.

Rather, in a sequential manner, gradually tighten each Bolt until all Bolts are evenly secured. This methodology will ensure maximum evenness once all Bolts are fully tightened.





















**Note: This step is done better with the assistance of a second adult.**

## Step 6



Your Bookcase is ready for use.

## Care & Maintenance

-   • Do not put hot items directly on furniture surface
  -   • Do not clean furniture with harsh cleansers or polish.
  -   • Do not place furniture under direct sunlight.
  -   • Do not place furniture near heating or cooling vents.
  -   • Do not write on furniture without a padded barrier to protect the surface.
  -   • Do not place furniture outside . For indoor use only .
  -   • Not for commercial use. For residential use only .
  -   • Stains may be removed with mild soap solution and damp cloth.
  -   • Children should not climb or jump on the furniture.
- 
-   • Dust and pick-up spills using a clean, non-colored, lint-free cloth .