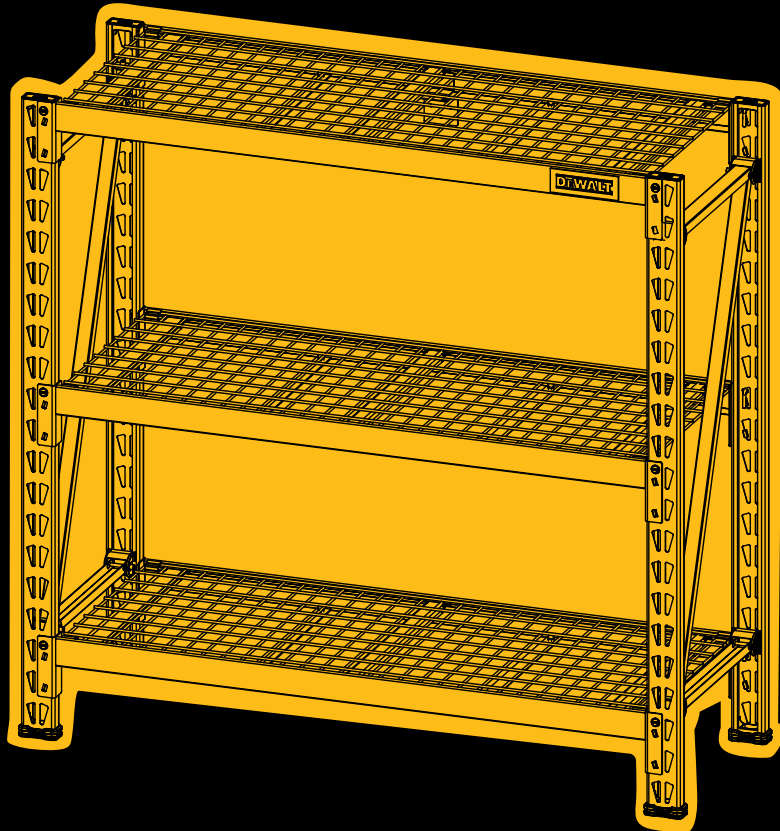


DEWALT®

INDUSTRIAL RACK WITH WIRE GRIDS 4-FOOT TALL / 3-SHELF



DXST4500-W

IMPORTANT:

Please read this manual carefully before assembling this storage rack and save it for reference

**INSTRUCTION
MANUAL**

TABLE OF CONTENTS

TECHNICAL SPECIFICATIONS	4
SAFETY	5
PARTS LIST	6
ASSEMBLY	8
OPTIONS	13
WARRANTY	14

**SAVE THESE INSTRUCTIONS**

This manual contains important safety and operating instructions. Read all instructions and follow them with use of this product.

TECHNICAL SPECIFICATIONS

TOTAL CAPACITY	4,500 lb (2,041 kg) <small>*WHEN WEIGHT IS EVENLY DISTRIBUTED</small>
CAPACITY PER SHELF	1,500 lb (680 kg) <small>*WHEN WEIGHT IS EVENLY DISTRIBUTED</small>
HEIGHT	47" (119.4 cm)
WIDTH	49 5/8" (126 cm)
DEPTH	18" (45.7 cm)
WEIGHT	64 lb (29 kg)

GENERAL SAFETY

- Keep work area clean and dry.
- Use correct/recommended tools for the job.
- Never leave unattended tools plugged in or running.
- Never force a part into place.
- Wear appropriate safety apparel for the job you are doing.
- Wear safety glasses/goggles.
- Never crawl, sit, stand, or climb on the rack.
- Keep small parts away from children. Never leave a small child unattended while assembling.
- Always use common sense – your personal safety is your responsibility.

SPECIFIC SAFETY FOR WALL MOUNT BRACKET

- Serious injury or death can occur from the rack tipping over. To prevent this, the rack must be secured to a wall, especially in earthquake-prone areas, or where surfaces are uneven, and where children and/or pets are present.

NEVER EXCEED THE FOLLOWING WEIGHT LIMITS FOR THIS RACK

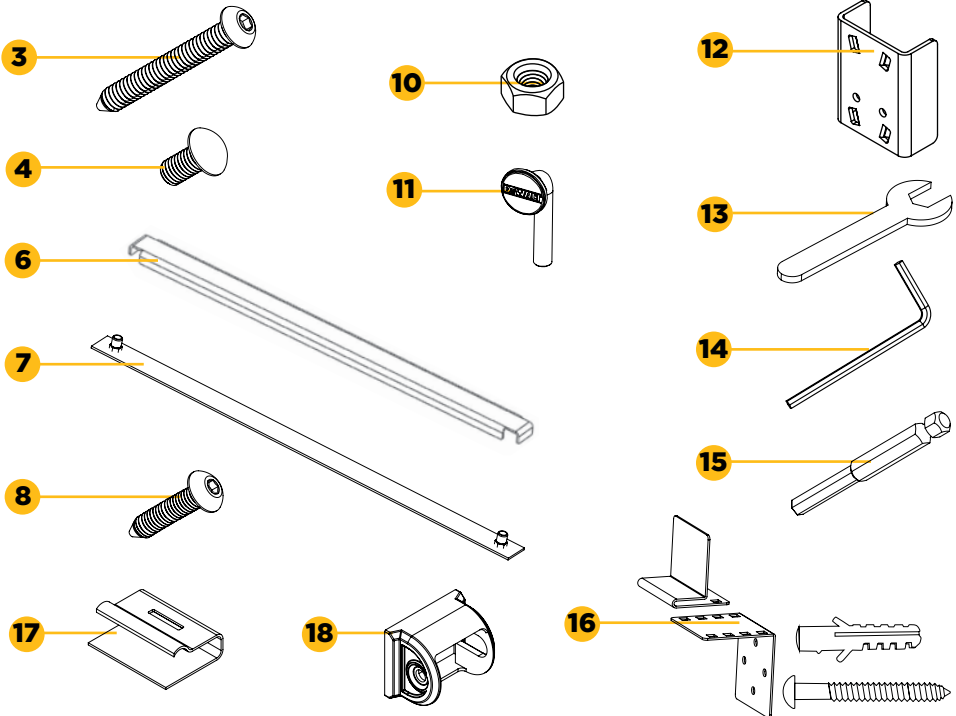
- Maximum load for each shelf: Up to 1,500 lb (680 kg) when weight is evenly distributed.
- It is recommended that the heaviest load be placed on the bottom shelf.



- *Save all warnings and instructions for future reference.*
- *This manual contains important safety and assembly instructions. Read all instructions and follow them with the use of this product.*

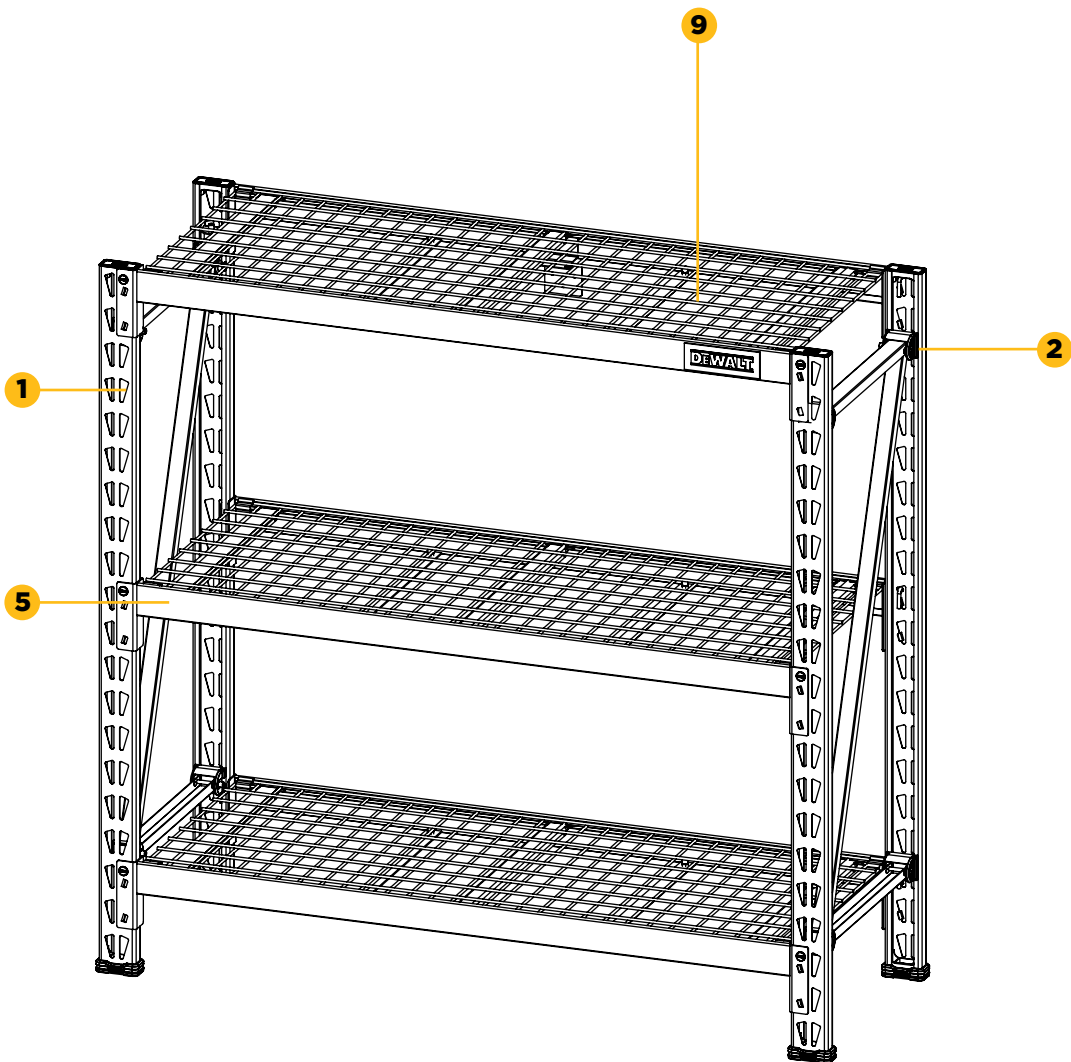
No.	Description	Qty.
1	Vertical Beam	2
2	Pre-Bolted Vertical Assembly	2
3	Vertical Assembly Bolt	4
4	Carriage Bolt	2
5	Crossbeam	6
6	Shelf Support Strap	9
7	Safety Strap With Weld Nut	6
8	Safety Strap Bolt	12
9	Wire Grid	

No.	Description	Qty.
10	10 mm Nut	3
11	Locking Shelf Pin	2
12	Stacking Plate	16
13	10 mm Wrench	2
14	4 mm Hex Key	1
15	4 mm Hex Bit	1
16	Wall Mount Bracket Assembly	1
17	Locking Grid Clip	12
18	U-Bracket Cover	4



BEFORE YOU BEGIN:

- Read all instructions thoroughly.
- Remove all components from the box, and lay them on the floor in an orderly fashion.
- Keep this information for further reference.
- If you are not stacking a second rack at this time, then please store the Stacking Plates for potential future use as they will be needed.



PARTS LIST

Tools Required for Rack Assembly: 4 mm Hex Key (included) OR 4 mm Hex Bit (included); Rubber Mallet (not included), Flat-Head Screwdriver (not included)

EXPANDABLE UPRIGHT FRAME INSTRUCTIONS

- Note: For ease of assembly, two (2) Vertical Beams feature pre-bolted horizontal and diagonal beams, as well as pre-attached U-Bracket Covers.

STEP 1

- Place one (1) Vertical Beam and one (1) Pre-Bolted Vertical Assembly on the floor, parallel to one another (about 18"/45.7 cm apart). The widest part of the teardrop-shaped hole pattern on each beam should be facing upward (or away from you).

STEP 2

- There are two versions of the U-Bracket Covers – an "A" side and "B" side. Before moving forward, cover the U-shaped brackets on the Vertical Beam with the covers by mirroring the covers on the Pre-Bolted Vertical Assembly.

STEP 3

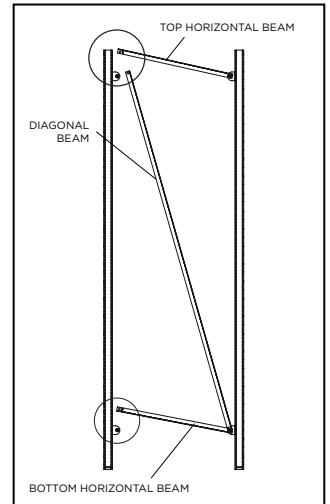
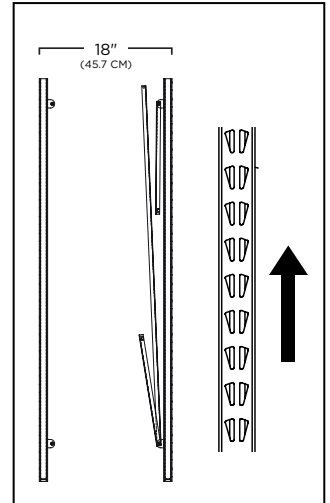
- Insert the free end of the diagonal beam into the free end of the top horizontal beam. Align the holes, and insert both beams into the U-shaped bracket at the top of the opposing Vertical Beam. Use the included hex key or drill bit to thread a Vertical Assembly Bolt through the holes and into the weld nut attached to the U-shaped bracket. Do not fully tighten the bolt yet.

STEP 4

- Swing out the bottom horizontal beam, and insert it into the U-shaped bracket at the bottom of the opposing Vertical Beam. Thread a Vertical Assembly Bolt through the holes and into the weld nut. Do not fully tighten the bolt yet.

STEP 5

- Repeat Steps 1-4 to assemble the second upright frame. Once both are assembled, you can fully tighten the bolts on all four corners. Be careful not to over-tighten the bolts; there should be no deformation of the U-shaped brackets and/or horizontal beams.

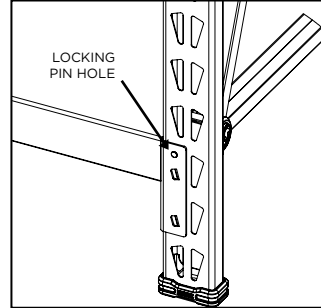


CROSSBEAM INSTRUCTIONS

- Note: It is recommended for one person to hold the upright frames in place while a second person installs the crossbeams.

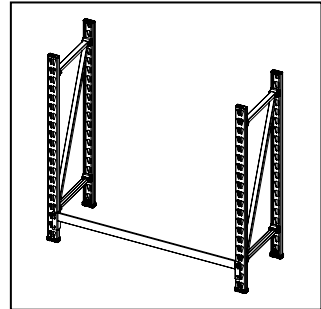
STEP 1

- There is a set of locking tabs at both ends of every crossbeam. To begin assembly, take one crossbeam and insert the tabs into two of the holes on the lower portion of one upright frame. Engage the locking tabs into the holes using a downward motion. The locking pin hole should be at the top. Make sure the end of the crossbeam is flush against the upright frame.



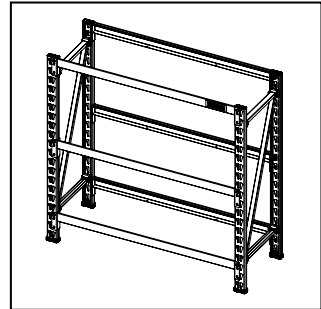
STEP 2

- Repeat for the opposite side of the upright frame. Tap the ends of the crossbeam closest to the upright frames with a rubber mallet until fully seated. The crossbeam and locking tabs should easily slip into place. If they do not, then recheck the alignment of the teardrop-shaped holes and tabs. Too much force may damage the interlock between the crossbeam and upright frame.



STEP 3

- Using the methods listed above, install another crossbeam to the opposite side of the upright frames, parallel to the first crossbeam you installed. Make sure both crossbeams are at the same level.



STEP 4

- Continue by installing the middle and top sets of crossbeams to the upright frames. Make sure the crossbeams are attached at the same level on both sides. If you plan to stack another DXST4500 Industrial Rack on top, then DO NOT attach the third set of crossbeams to the very top of the upright frames. See Page 12 for Complete Stacking Instructions.

WARNING!



- Serious or fatal crashing injuries can occur from furniture tipping over. To prevent this, the rack must always be secured to a wall, especially in earthquake-prone environments, where surfaces are uneven, and where children and/or pets are present.

SAFETY STRAP AND SHELF SUPPORT STRAP INSTRUCTIONS

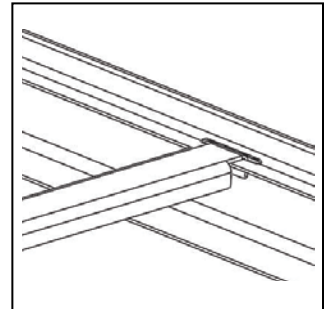
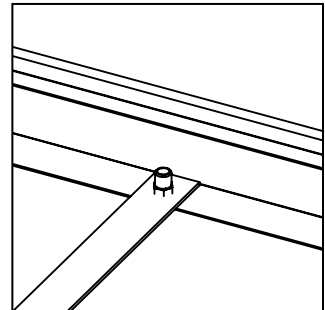
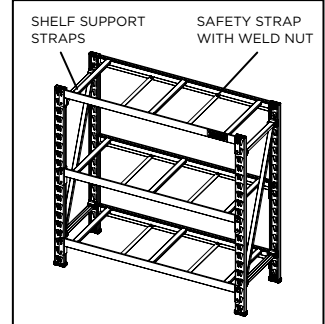
- Note: There are two (2) Safety Straps with Weld Nuts and three (3) Shelf Support Straps for every set of crossbeams.

STEP 1

- Starting with the lowest set of crossbeams, place a Safety Strap with Weld Nut between the lower ridges of the crossbeams where two sets of holes have been pre-drilled. Thread a Safety Strap Bolt up through the bottom of the pre-drilled holes and through the weld nuts, and fully tighten with the included hex key or drill bit. Repeat for the second strap on this set of crossbeams, and continue for the last four straps.

STEP 2

- Place a Shelf Support Strap perpendicular to the crossbeams, and insert each end into the slots on each ridge of the crossbeam. Repeat for the remaining eight straps.

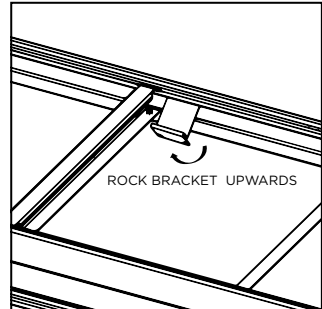


WALL MOUNTING INSTRUCTIONS

- Note: Drywall anchors and anchor screws are included with this rack; however, different wall materials require different types of fasteners. Use fasteners suitable for your specific type of wall. If you are uncertain about what type of fasteners to use, then please contact your local hardware store.

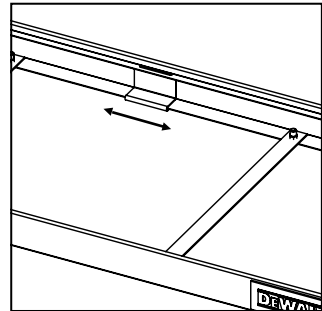
STEP 1

- Take the U-shaped bracket and rock it up at an angle to attach it to the bottom inner channel of the crossbeam. Once attached, the back portion will sit flush against the side of the crossbeam.



STEP 2

- Once attached, the U-shaped bracket can be moved from side to side (in between the two safety straps). This allows for it to be attached to a 2 x 4 in the wall.

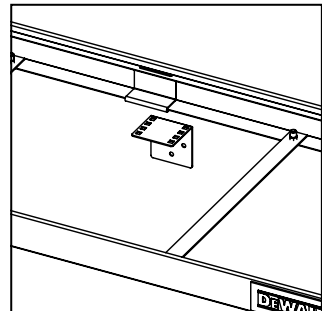


STEP 3

- The L-shaped bracket has two sets of square holes that allow you to adjust the distance of the rack to the wall. Use two carriage bolts and two 10 mm nuts to attach the L-shaped bracket to the bottom of the U-shaped bracket.

STEP 4

- Position the rack so the flat end of the L-shaped bracket is touching the wall. Use a pencil to mark the location of the four holes on the wall. Use the included drywall anchors, anchor screws, and the appropriate tools if you're securing the rack to drywall only. Be sure to follow standard instructions for installing anchor screws.



WARNING!

- Serious injury or death can occur from the rack tipping over. To prevent this, the rack must be secured to a wall, especially in earthquake -prone areas, or where surfaces are uneven, and where children and/or pets are present.
- Different wall materials require different types of fasteners. Use fasteners suitable for your specific type of wall. If you are uncertain about what type of fastener to use, then please contact your local hardware store.

WIRE GRID AND LOCKING SHELF PIN INSTRUCTIONS

- Note: Each wire grid consists of two sides – a “short” side and “long” side. If you plan on sliding objects on and off of the shelf from the front of the rack, then we recommend having the “short” side of the grid facing upward. If you plan on sliding objects from the side of the rack, then we recommend having the “long” side facing upward.

STEP 1

- Place the wire grids onto the top ridge of all sets of crossbeams. If seated properly, the grids will “pop” into place and lay evenly.

STEP 2

- Place a Locking Grid Clip at the outermost corner of the shelf. Make sure the rolled edge with the groove is facing upwards.

STEP 3

- With one hand, apply pressure to the back of the clip. With your free hand, insert a flat-head screwdriver (not included) into the small slot in the clip to spread the tine up and over the wire that is underneath.

STEP 4

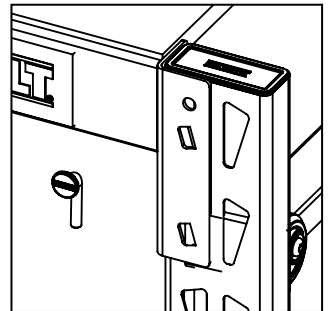
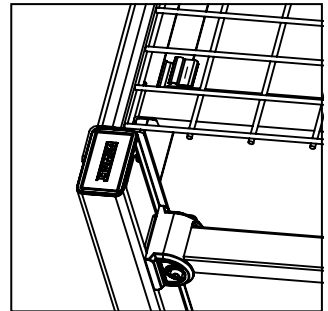
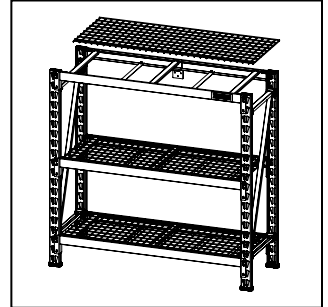
- Pull back on the screwdriver. The grooved channel in the clip should now match up with the wire decking, which will help secure it to the shelf beam.

STEP 5

- Repeat Steps 2-4 the remaining three corners of the wire grid, and then again for all the remaining shelves.

STEP 6

- There is a locking pin hole at both ends of every crossbeam. This is where the Locking Shelf Pins are to be installed. If a pin does not easily slip into place, then moderately tap the end of the crossbeam to fully seat the locking tabs.



STACKING INSTRUCTIONS

- Note: Every DXST4500-W Industrial Rack comes with two (2) stacking plates. In order to safely stack two of these racks together, you **MUST** use four (4) of these plates.

It is recommended that one person holds the upright frames in place while a second person installs the stacking plates.

STEP 1

- Assemble the second set of upright frames by following the instructions on Page 8.

STEP 2

- Using a screwdriver and rubber mallet, remove all four black caps from the bottom of the newly assembled upright frames. This will now become the top rack. Remove all four black caps from the top of the fully assembled rack. This will now become the bottom rack.

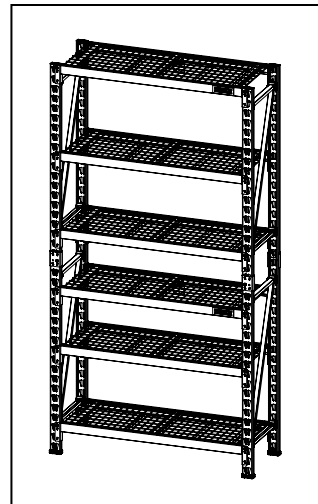
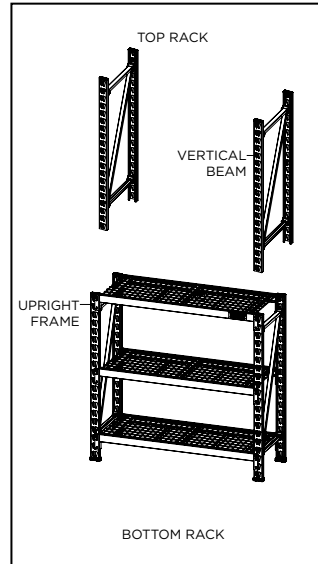
STEP 3

- Line up and place an upright frame on top of one side of the fully assembled rack. Be sure the hole patterns are going in the same direction. The stacking brackets feature a top and bottom set of locking tabs. Engage the top set of tabs into the very bottom of the vertical beam and the bottom set of locking tabs into the very top of the upright frame. Use the same downward motion to attach these brackets as you did for the crossbeams. The locking pin holes on the bracket should be at the bottom. Repeat for the remaining three stacking brackets.

STEP 4

- Insert the locking shelf pins into the open pin holes on the brackets.

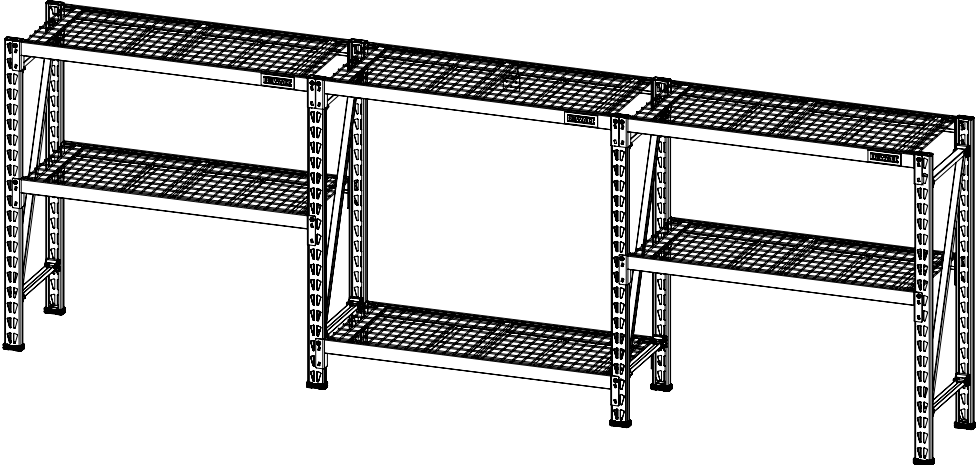
Assemble the remaining pieces of the top rack by following the instructions detailed on Pages 8-12.



WARNING!

- *Serious injury or death can occur from furniture tipping over. To prevent this, the rack must be secured to a wall, especially in earthquake-prone areas or where surfaces are uneven, and where children and/or pets are present.*

MAXIMIZE YOUR DEWALT STORAGE OPTIONS



ASSEMBLY



NOTE: Connect multiple racks together to increase both length and height.

* Additional racks are sold separately.

ONE YEAR LIMITED WARRANTY

DEWALT will replace this industrial rack due to faulty materials or workmanship for one year from the date of purchase (be sure to keep your receipt). This warranty does not cover part failure due to normal wear or rack abuse. This warranty does not apply to accessories or damage caused where repairs have been made or attempted. For further detail of warranty coverage, call 1-844-377-8451.

In addition to the warranty, DEWALT tools are covered by our:

90 DAY MONEY BACK GUARANTEE

If you are not completely satisfied with the performance of your DEWALT Industrial Rack for any reason, you can return it within 90 days from the date of purchase with a receipt for a full refund – no questions asked.

LATIN AMERICA: This warranty does not apply to products sold in Latin America. For products sold in Latin America, see country specific warranty information contained in the packaging, call the local company or see website for warranty information.