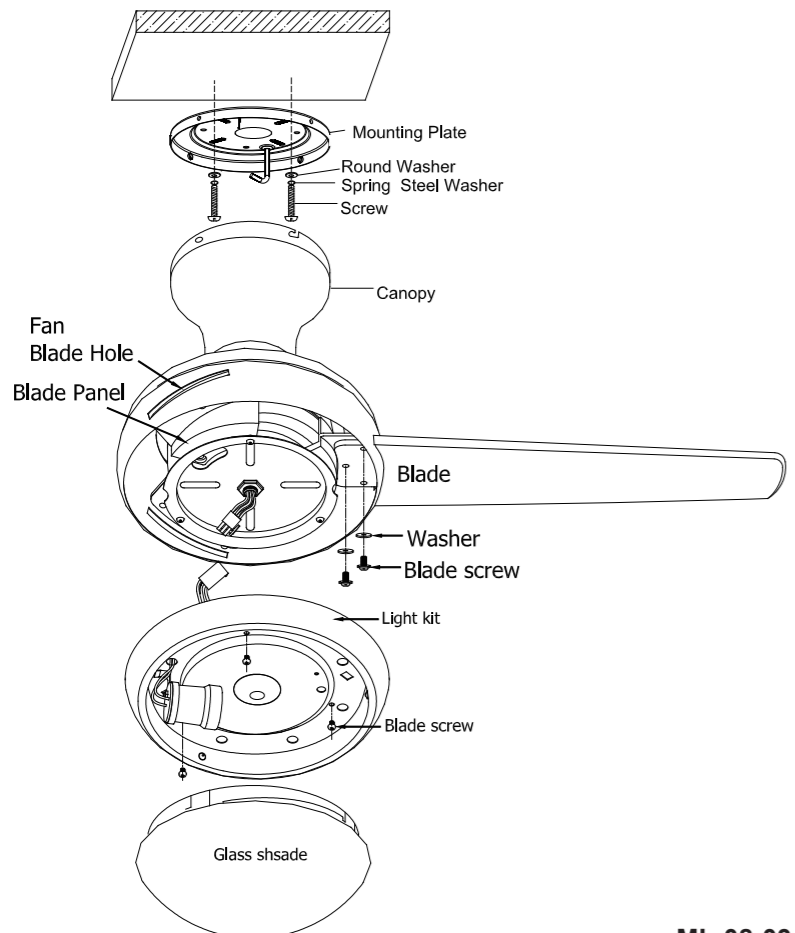
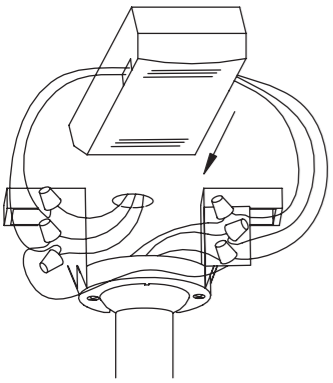


Parts names and their relative positions



ML-08-03



Put the receiver of remote control through hanger bracket (as picture).

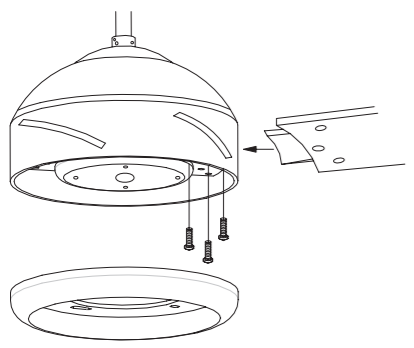
Connect the A.C. power supply wire that come from the ceiling to the Black and White wire of receiver which is mark with label "L" & "N". In most cases, Black wire is LIVE is connected to "L" Black wire, White wire is NEUTRAL is connected to "N" White wire.

Connect the 3 lead wires coming from the fan housing with 3 wires coming from the other side of the remote control receiver where indicated sticker with brown, blue, orange block.

Black TO Black (Live wire of fan) White TO White (Neutral wire of fan)
 Blue TO Blue (Live wire of light)

IMPORTANT : THIS APPLIANCE MUST BE EARTHED.

4. Attach the assembled blades



Carefully unwrap the blade and put the blade into the hole of sideband. Align the blade with the holes on the blade carrier which is pre-assembled onto the motor. Use the screws and fibred washers provided to connect them.

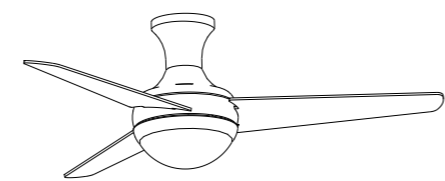
The rubber round washer and metal round washer should go on top the blade between the head of the screw and the surface of the blade. Ensure the screws are tightened up firmly.

Repeat this process for all blades.

3

Installing the fan

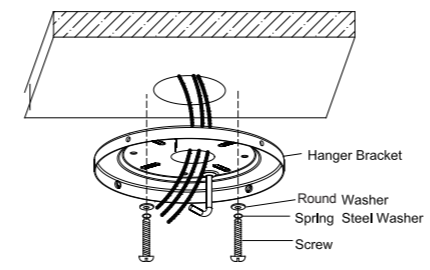
All electrical work should only be undertaken after disconnection of the power by removing fuses or turning off the circuit breaker to ensure all pole isolation of the electrical supply.



Picture A

- The following steps will guide you to a successful installation:
1. Mounting plate installation
 2. Fan assembly
 3. Remote control and Wiring instruction
 4. Attaching the blades
 5. Installing light bulb and glass

1. Mounting plate installation



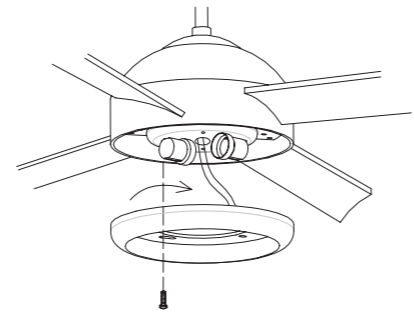
The mounting plate should be screwed on to a firm flat surface. The fixing location must be able to withstand ten times the static weight of the fan. If you have any doubts as to the ability of your intended fixing location to be able to withstand this loading. Please contact our service help-line or another competent authority to advise you. In most situation two wood screws screwed into a wooden joist is more than adequate to support your ceiling fan.

The mounting plate should be screwed onto the joist with the two wood screws provided. The washers provided should go in the following sequence:

Screw head > spring washer > round washer > Mounting plate > Ceiling. Screw the mounting plate to the ceiling and make sure all connections are secure to prevent the fan from falling. Fixings must screw into a joist and not just the plasterboard.

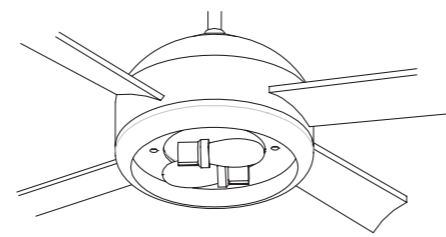
1

5. install light fitting and bulb & shade



Completely remove one of the three provided screws on the small round plate under the motor, and loosen partially the other two screws (remain a half part in the round plate). To fasten the Light Fitting onto the small round plate, align the two keyhole slots on the light fitting to the partially loosened screws and turn the light fitting in place so that the fitting is held temporarily.

Replace the completely removed screw to the small round plate, then tightly fasten the 4 screws to hold the light fitting securely.



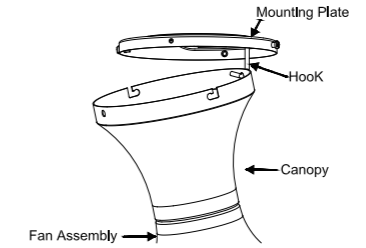
Your fan is supplied with 60W light bulb.

You must not touch new bulb with bare fingers when you take the bulb from box. The body oil residue may cause the bulb to explode. Use tissue or cloth to protect the new bulb from your fingers.

Before install the bulb, make sure the power is disconnected. Put the E12 X 2 40W Max. to the socket in the fitter.

4

2.Fan assembly



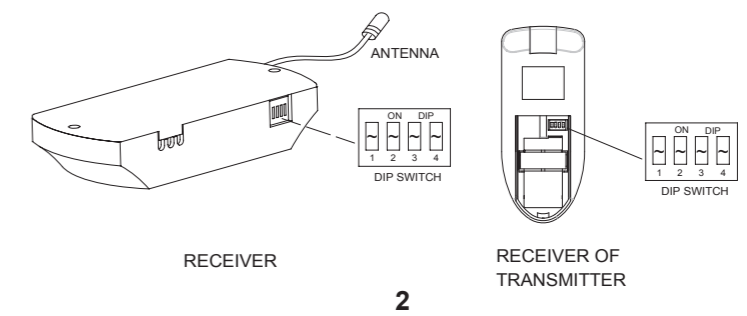
Lift the fan up to the mounting plate and put the fan onto the hook with one of the screw hole on canopy.

3. Remote control and Wiring instructions

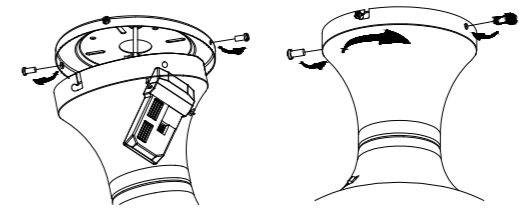
WIRING INSTRUCTIONS : Before doing wiring, ensure that you have all pole disconnection of the electricity supply.

Your fan is supplied with a radio frequency remote control unit, and the fan does not have a pull switch for speed control, the fan can only be controlled by remote control. You can find the unit in the box. Before connecting the wiring, please set up the code of remote control.

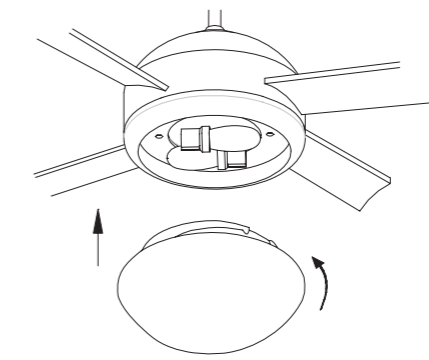
CODE SWITCH: Codes are set by pushing dip switches up or down. It is imperative that the code used for both transmitter and receiver is exactly the same, otherwise the remote control will not work. Please note the code switch will enable you to operate a second remote controller independently. For example, if you have two ceiling fans with 2 remote control units, set 2 different codes for each set of transmitter/receivers. This means you can operate each ceiling fan independently. Please see following drawing.



Now is a good time to test that the fan operates correctly. Turn on the power and use the transmitter to Control your fan, checking the fan speeds and light kit/ are worked properly. Please see page 10 for remote control function details.



After finishing the following step for installing light bulb and make sure light is worked properly, please lift the canopy and carefully up to mounting plate, carefully put all wires into the canopy and don't bent or broken the wire. Use the canopy set screw to screw it firmly.



Put the shade into the light fitter and twist it tight. Ensure the shade is tightening firmly, the shade will drop off and broken not installed properly.

Now, your fan installation is complete.

5