



# Swanstone Double Threshold and Neo Angle Shower Floors With Fit-Flo™ Drain

**Manufactured from Swanstone solid surface**  
(See page 2 for detailed information.)

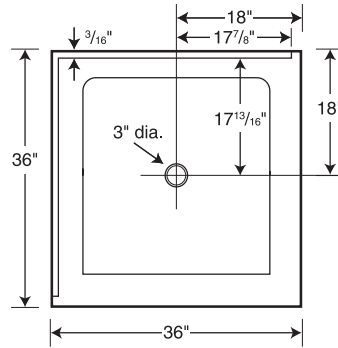
**WARRANTY**  
Limited Lifetime – Residential  
Limited 10-year – Commercial

*Recommended for high-use traffic areas and commercial surfaces.*

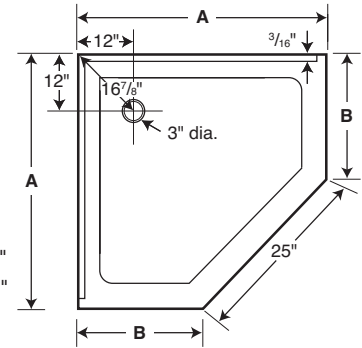
## FEATURES

- Reinforced solid surface means color and texture run all the way through and cannot wear away.
- Will not mold or mildew, no grout to clean.
- Coordinates with Swanstone shower and bath systems.
- Pebbled, slip-resistant surface.

SS-36DTF  
Double  
Threshold

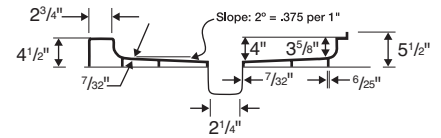


Model	A	B
SS-36NEO	36" x 18"	
SS-38NEO	38" x 20"	



Model	Nominal Size	Rough-In Dimensions			
		36"	36"	18"	18"
SS-36DTF	36" x 36"	36-1/16"	36-1/16"	18-3/16"	18-3/16"
		A	B	25"	12"
SS-36NEO	36" x 36"	36-1/8"	18-3/16"	25-1/8"	12-3/16"
SS-38NEO	38" x 38"	38-1/8"	20-3/16"	25-1/8"	12-3/16"

**IMPORTANT:** Rough-in dimensions are provided for reference only. You must measure the actual shower floor and check local building code requirements before construction of the stud wall.



## SPECIFICATIONS

### Swanstone Double Threshold and Neo Angle Shower Floors With Fit-Flo™ Drain

Model	Part	Nominal Size Dimensions	Ship Wt. Lb.	Ship FedEx	Carton Dims. In.	Cu. Ft.
<b>Double Threshold Shower Floor</b>						
SS-36DTF	SD03636MD	36" D x 36" W DTF (914 mm x 914 mm)	44	-	42 x 41 x 10	10
<b>Neo Angle Shower Floors</b>						
SS-36NEO	SN00036MD	36" D x 36" W (914 mm x 914 mm)	40	-	42 x 42 x 10	11
SS-38NEO	SN00038MD	38" D x 38" W (965 mm x 965 mm)	44	-	44 x 43 x 10	11

Includes: One code-approved compression-molded Swanstone floor with molded-in Fit-Flo drain.

Packaging: Each floor packed in a rectangular carton.

## STANDARDS AND RATINGS

American National Standard Institute—ANSI Z124.1.2  
International Association of Plumbing and Mechanical Officials (IAPMO)—Listed  
CSA Standard B45.5 by IAPMO  
Uniform Plumbing Code (UPC)

For a complete list of tests and results see the Technical Data Sheet.

## SUPPORT DOCUMENTS

Installation instructions available at [swanstone.com](http://swanstone.com).

## COLORS

### Solid Colors:

- White (010)
- Bisque (018)
- Bone (037)

### Aggregate Colors:

- Arctic Granite (035)
- Baby's Breath (168)
- Barley (091)
- Bermuda Sand (040)
- Canyon (124)
- Cloud Bone (126)
- Cloud White (125)
- Glacier (121)
- Golden Steppe (128)
- Gray Granite (042)
- Ice (130)
- Mountain Haze (129)

- Night Sky (012)
- Pebble (072)
- Prairie (122)
- Tahiti Desert (050)
- Tahiti Gray (053)
- Tahiti Ivory (059)
- Tahiti Matrix (058)
- Tahiti Sand (051)
- Tahiti White (011)
- Tundra (131)

Our Planet Colors

## MAINTENANCE AND CLEANING INFORMATION

Clean regularly with common household liquid cleaners and a sponge or soft cloth. For hard water stains, scale removers can be used. If necessary, abrasive cleaners can be used with a nylon brush or pad to remove build up on the shower floor surface. **Do not** use a metal-scouring pad or a wire brush, as it will damage the surface. **Do not** use "leave on" cleaning products, such as automatic spray shower cleaners. Prolonged contact with harsh chemicals could have an adverse reaction over time and discolor surfaces. **Do not** use cleaning agents that caution use on acrylic, polyester or plastics.