

Eva® Technical Specification

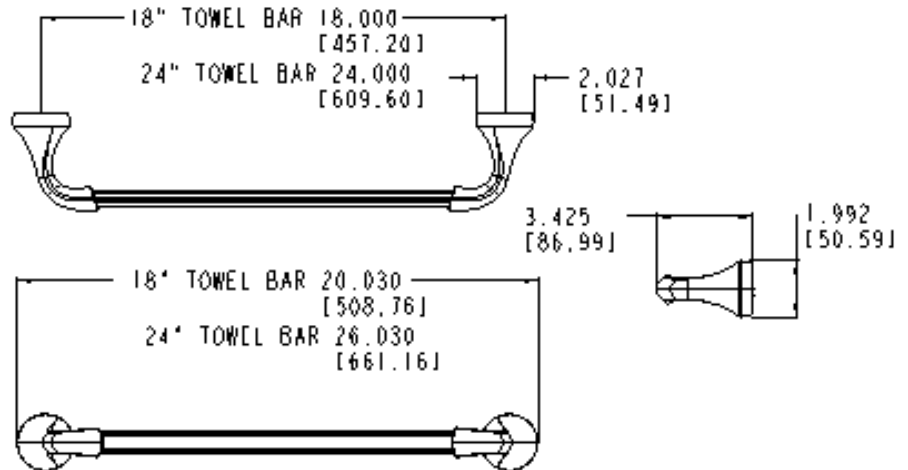
18" & 24" Towel Bar

YB2818 & YB2824

Stock Numbers:

- ❑ YB2818BN – 18" Towel Bar
Brushed Nickel Finish
- ❑ YB2824BN – 24" Towel Bar
Brushed Nickel Finish
- ❑ YB2818CH – 18" Towel Bar
Chrome Finish
- ❑ YB2824CH – 24" Towel Bar
Chrome Finish
- ❑ YB2818ORB – 18" Towel Bar
Oil Rubbed Bronze Finish
- ❑ YB2824ORB – 24" Towel Bar
Oil Rubbed Bronze Finish

Dimensions:



Materials:

Towel bar posts are constructed of zinc. Bar is constructed of brass.

Installation Instructions:

This product features the Pro+Fit Installation Mounting System. If you do not have the Pro+Fit Installation Template please use the following instructions. (Note: only one hole is required per mounting post.)

1. Find the appropriate center to center measurement for the product you are installing.
2. Mark that distance on the wall where you want to install the product.
3. Use a level to ensure that the pilot holes will be perfectly level.
4. Using 1/4" drill bit, drill one pilot hole for each post 18" apart for the 18" towel bar (24" for the 24" towel bar).
5. Position mounting post to wall by inserting wall anchor into pilot hole and pressing firmly.
6. Make sure that locking tab on mounting post is facing down (6 o'clock).
7. Tighten wall anchor screw while holding mounting post firmly in place. DO NOT over tighten (6 - 8 full turns will secure the anchor).
8. Towel bar must be attached to mounting posts as a unit - insert towel bar into each post.
9. Attach posts by pressing firmly to mounting posts until it clicks. (The square opening at the base of the post must be facing down to match-up with locking tab.)

If you are mounting any parts into a hard surface snap off the anti-rotation fins on the back of the mounting posts.

Cleaning Instructions:

To preserve the fine finish of this product, clean only with a soft damp cloth. Dry well. Do not use commercial or abrasive cleaners.

Stock Number: _____ Towel Bar
By Creative Specialties



25300 AL MOEN DRIVE • NORTH OLMSTED, OH 44070
CORPORATE HEADQUARTERS: (800) 321-8809 • FAX: (800) 848-6636
INTERNATIONAL: (440) 962-2000 • FAX: (440) 962-2726
CUSTOMER SERVICE (USA): 800-882-0116 • FAX: (888) 379-2720
WWW.MOEN.COM

©Copyright Creative Specialties International

Literature #BA1346

Eva® Technical Specification

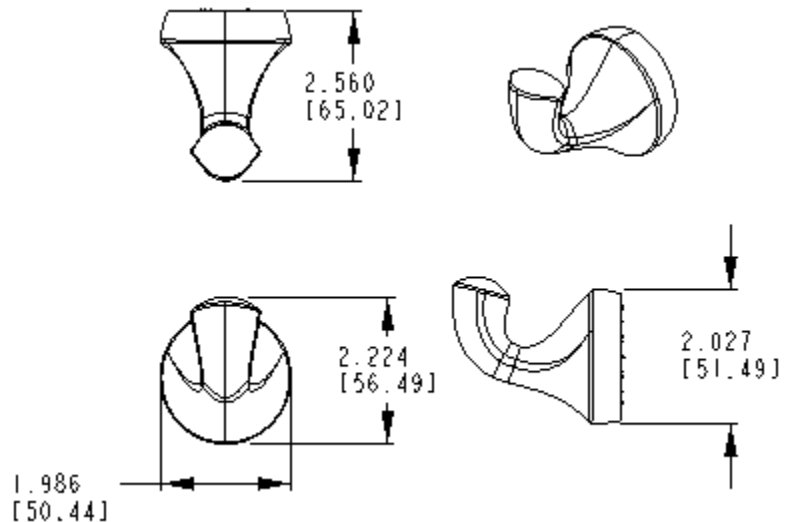
Robe Hook

YB2803

Stock Numbers:

- ❑ **YB2803BN – Robe Hook**
Brushed Nickel Finish
- ❑ **YB2803CH – Robe Hook**
Chrome Finish
- ❑ **YB2803ORB – Robe Hook**
Oil Rubbed Bronze Finish

Dimensions:



Materials:

Robe Hook is constructed of zinc.

Installation Instructions:

This product features the Pro+Fit Installation Mounting System. If you do not have the Pro+Fit Installation Template please use the following instructions. (Note: only one hole is required per mounting post.)

1. Mark on the wall where you want to install the product.
2. Using 1/4" drill bit, drill one pilot hole for the post.
3. Position mounting post to wall by inserting wall anchor into pilot hole and pressing firmly.
4. Make sure that locking tab on mounting post is facing down (6 o'clock).
5. Tighten wall anchor screw while holding mounting post firmly in place. DO NOT overtighten (6 - 8 full turns will secure the anchor).
6. Attach post by pressing firmly to mounting post until it clicks. (The square opening at the base of the post must be facing down to match-up with locking tab.)

If you are mounting any parts into a hard surface snap off the anti-rotation fins on the back of the mounting post.

Cleaning Instructions:

To preserve the fine finish of this product, clean only with a soft damp cloth. Dry well. Do not use commercial or abrasive cleaners.

Stock Number: _____ **Robe Hook**
By Creative Specialties



25300 AL MOEN DRIVE • NORTH OLMSTED, OH 44070
CORPORATE HEADQUARTERS: (800) 321-8809 • FAX: (800) 848-6636
INTERNATIONAL: (440) 962-2000 • FAX: (440) 962-2726
CUSTOMER SERVICE (USA): 800-882-0116 • FAX: (888) 379-2720
WWW.MOEN.COM

©Copyright Creative Specialties International

Literature #BA1344

Eva® Technical Specification

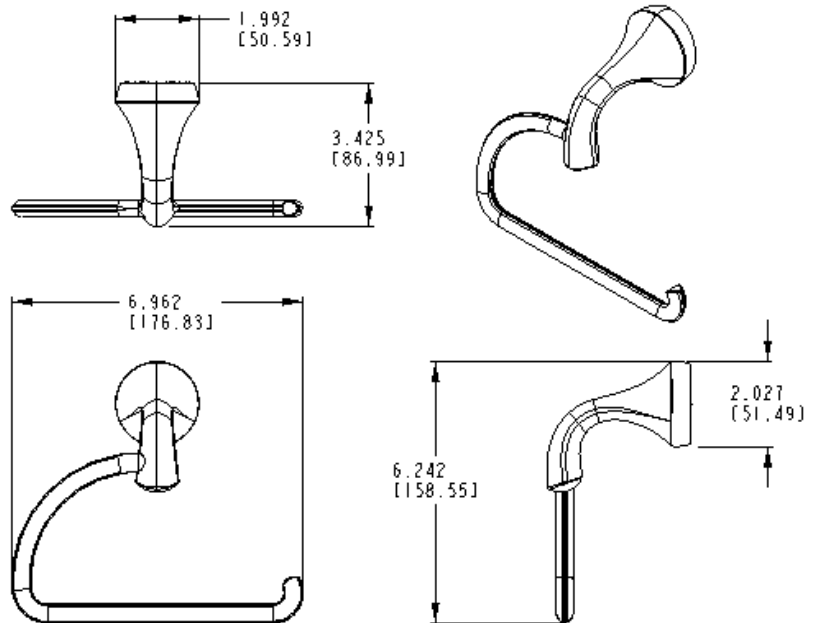
Paper Holder

YB2808

Stock Numbers:

- ❑ **YB2808BN – Pivoting Paper Holder**
Brushed Nickel Finish
- ❑ **YB2808CH – Pivoting Paper Holder**
Chrome Finish
- ❑ **YB2808ORB – Pivoting Paper Holder**
Oil Rubbed Bronze Finish

Dimensions:



Materials:

Paper Holder is constructed of zinc.

Installation Instructions:

This product features the Pro+Fit Installation Mounting System. If you do not have the Pro+Fit Installation Template please use the following instructions. (Note: only one hole is required per mounting post.)

1. Mark on the wall where you want to install the product.
2. Using 1/4" drill bit, drill one pilot hole for the post.
3. Position mounting post to wall by inserting wall anchor into pilot hole and pressing firmly.
4. Make sure that locking tab on mounting post is facing down (6 o'clock).
5. Tighten wall anchor screw while holding mounting post firmly in place. DO NOT over tighten (6 - 8 full turns will secure the anchor).
6. Attach post by pressing firmly to mounting post until it clicks. (The square opening at the base of the post must be facing down to match-up with locking tab.)

If you are mounting any parts into a hard surface snap off the anti-rotation fins on the back of the mounting post.

Cleaning Instructions:

To preserve the fine finish of this product, clean only with a soft damp cloth. Dry well. Do not use commercial or abrasive cleaners.

Stock Number: _____ **Paper Holder**
By Creative Specialties



25300 AL MOEN DRIVE • NORTH OLMSTED, OH 44070
CORPORATE HEADQUARTERS: (800) 321-8809 • FAX: (800) 848-6636
INTERNATIONAL: (440) 962-2000 • FAX: (440) 962-2726
CUSTOMER SERVICE (USA): 800-882-0116 • FAX: (888) 379-2720
WWW.MOEN.COM

©Copyright Creative Specialties International

Literature #BA1345

Eva® Technical Specification

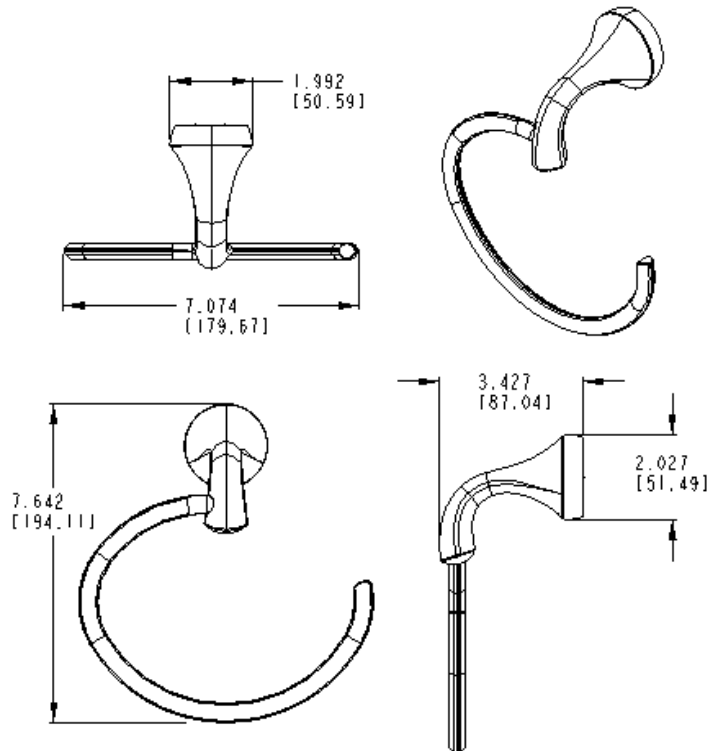
Towel Ring

YB2886

Stock Numbers:

- ❑ **YB2886BN – Towel Ring**
Brushed Nickel Finish
- ❑ **YB2886CH – Towel Ring**
Chrome Finish
- ❑ **YB2886ORB – Towel Ring**
Oil Rubbed Bronze Finish

Dimensions:



Materials:

Towel Ring is constructed of zinc.

Installation Instructions:

This product features the Pro+Fit Installation Mounting System. If you do not have the Pro+Fit Installation Template please use the following instructions. (Note: only one hole is required per mounting post.)

1. Mark on the wall where you want to install the product.
2. Using 1/4" drill bit, drill one pilot hole for the post.
3. Position mounting post to wall by inserting wall anchor into pilot hole and pressing firmly.
4. Make sure that locking tab on mounting post is facing down (6 o'clock).
5. Tighten wall anchor screw while holding mounting post firmly in place. DO NOT over tighten (6 - 8 full turns will secure the anchor).
6. Attach post by pressing firmly to mounting post until it clicks. (The square opening at the base of the post must be facing down to match-up with locking tab.)

If you are mounting any parts into a hard surface snap off the anti-rotation fins on the back of the mounting post.

Cleaning Instructions:

To preserve the fine finish of this product, clean only with a soft damp cloth. Dry well. Do not use commercial or abrasive cleaners.

Stock Number: _____ **Towel Ring**
By Creative Specialties

25300 AL MOEN DRIVE • NORTH OLMSTED, OH 44070
CORPORATE HEADQUARTERS: (800) 321-8809 • FAX: (800) 848-6636
INTERNATIONAL: (440) 962-2000 • FAX: (440) 962-2726
CUSTOMER SERVICE (USA): 800-882-0116 • FAX: (888) 379-2720
WWW.MOEN.COM

©Copyright Creative Specialties International

Literature #BA1347

