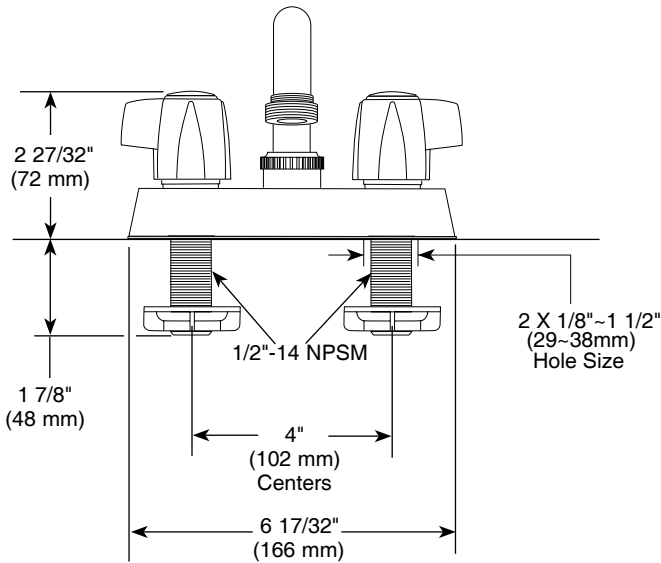


UTILITY FAUCET

- Two handle Laundry/Basin Faucet



STANDARD SPECIFICATIONS

- Two handle utility faucets for exposed mounting on 2 or 3 hole sinks with 4" centers.
- The fully replaceable, washerless valve design rotates from the full-off position to the full-on position in 90°.
- The valve stems on the hot and cold stems are interchangeable.
- 1/2"-14 NPSM threaded male inlet shanks.

WARRANTY

- Lifetime Faucet and Finish Limited Warranty to the original consumer purchaser to be free from defects in material and workmanship.
- 5 Year Limited Warranty for usage in all industrial, Commercial and Business applications.



COMPLIES WITH:

- ASME A112.18.1 / CSA B125.1
- MIN Flow 4.0gpm(15L/min)

Indicates compliance to ICC/ANSI A117.1