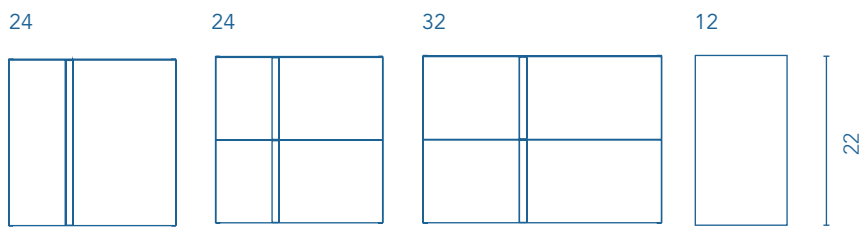


ONIX+

UNITS

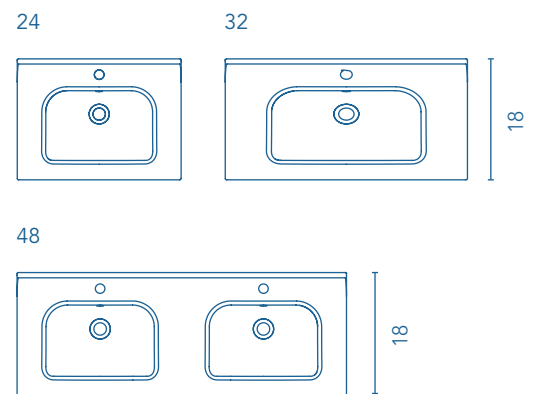
Depth 18



The 48 measurements are based on the 24 modules.
 The 56 measurements are based on the 32 and 12 modules.
 The 60 measurements are based on the 24 and 12 modules.

WASHBASIN

Slim



TECHNICAL INFORMATION

STRUCTURE: High gloss lacquered 5/8 in. board and 5/8 in. melamine board.

FRONT: High gloss lacquered 5/8 in. board and 5/8 in. melamine board.

HANDLE: Sandy grey - Matt white finish / Essence wenge - Matt black finish / White - Metallic bright chrome finish.

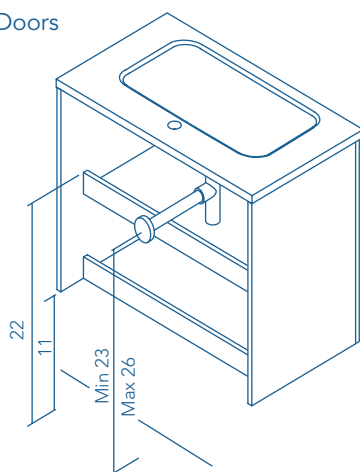
DRAWER: Drawers made in grey textile poly laminate coated board with hidden full extraction runners with soft close system. Includes organizer for small items in upper drawer. Lower drawer useful space (widthxheightxdepth): 20x4x15 in. (unit 24 in.), 28x4x15 in. (unit 32 in.)

OPTIONAL LEGS: ABS in bright chrome finish with adjustable legs. Optional, not included in unit.

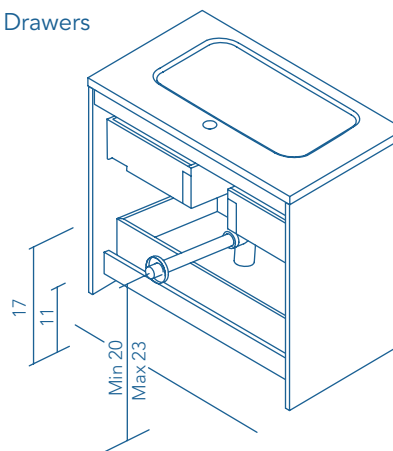
PIPE DEPTH: Pipe depth 3 in.

SIPHON PLACEMENT

2 Doors



2 Drawers



Finishes



SANDY GREY

ESSENCE WENGE

WHITE