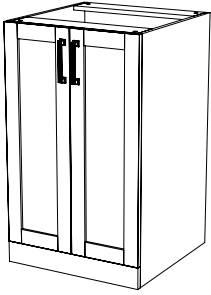
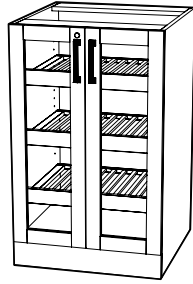


# HOME BAR SERIES

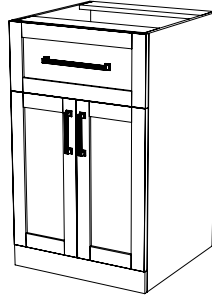
## CABINETS



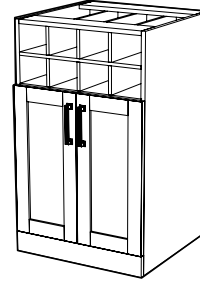
**2 Door Cabinet**



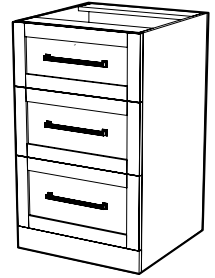
**Display Cabinet**



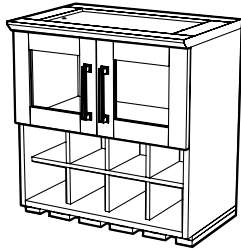
**Split**



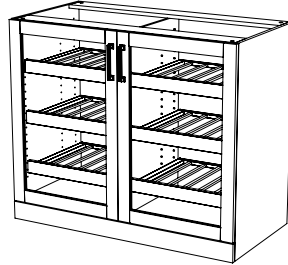
**Wine Storage Cabinet**



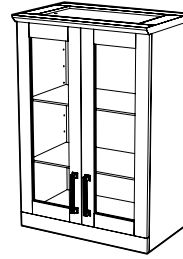
**3 Drawer Cabinet**



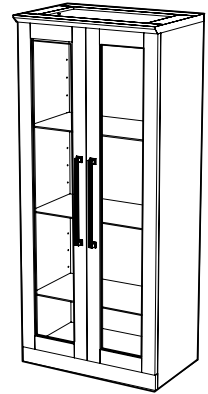
**Wall Wine Rack**



**Double Display Cabinet**



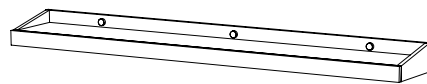
**Short Wall**



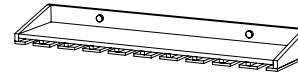
**Tall Wall**

---

## SHELVING



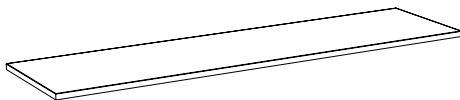
**63" Shelf**



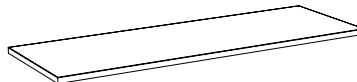
**42" Shelves**

---

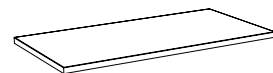
## COUNTERTOPS



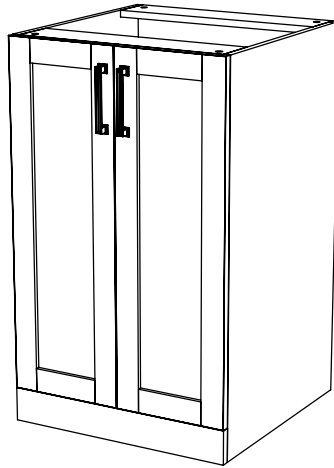
**84" Countertop**



**63" Countertop**



**42" Countertop**



# HOME BAR SERIES

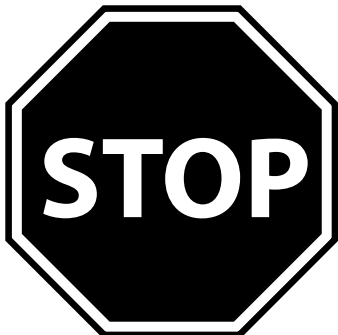
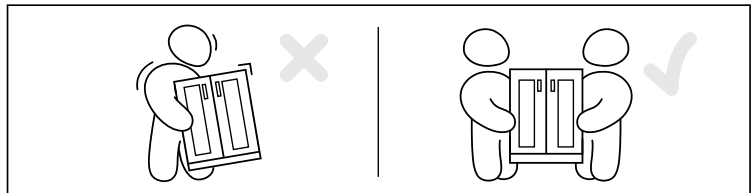
## 21in. 2 DOOR CABINET

### **Warning: Excessive weight hazard!**



Use two or more people to move, assemble, or install cabinets to avoid back injury. Do not leave children unattended near cabinets. High risk of tipping if cabinets are installed incorrectly: securely attach cabinets to the wall to avoid serious injury.

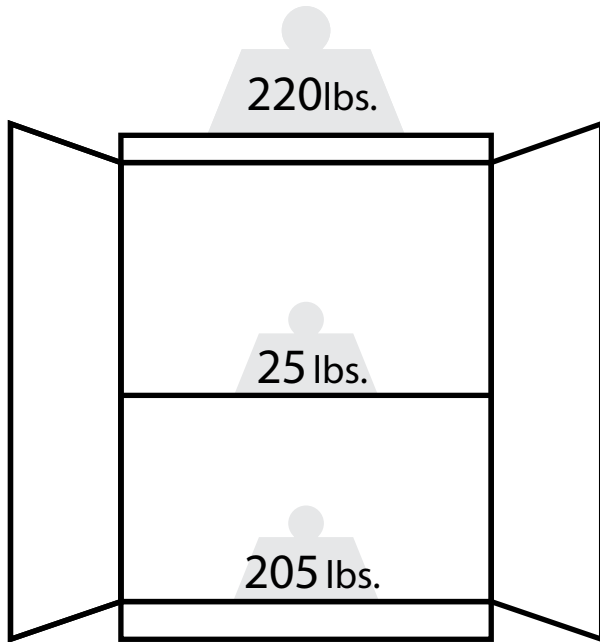
For assistance, call 1.877.306.8930; for U.K 0800.031.4069; e-mail at [info@newageproducts.com](mailto:info@newageproducts.com).



### **ATTENTION:** Is your cabinet damaged?

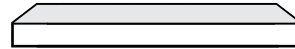
Need help or spare parts? For fastest service, contact NewAge Products at 1-877-306-8930; or [support@newageproducts.com](mailto:support@newageproducts.com). Do not return to the retailer.

# Weight Capacity



Bottle Display  
Base Cabinet  
Max 500lbs.

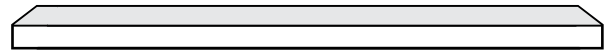
# Countertops



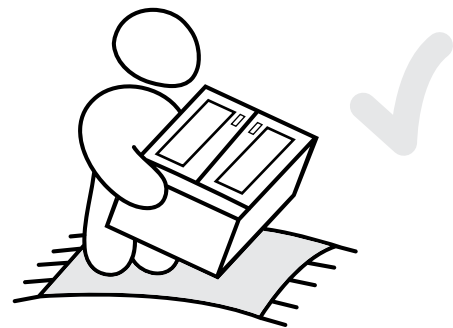
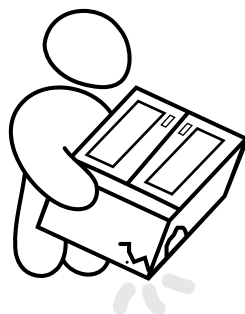
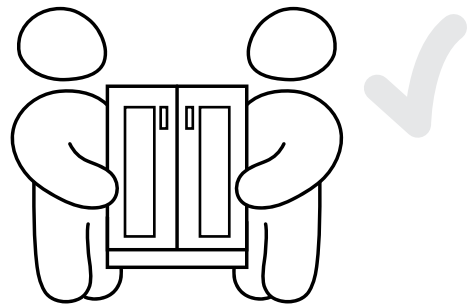
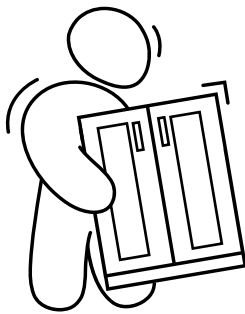
42" Countertop. Fits over 2 Cabinets



63" Countertop. Fits over 3 Cabinet



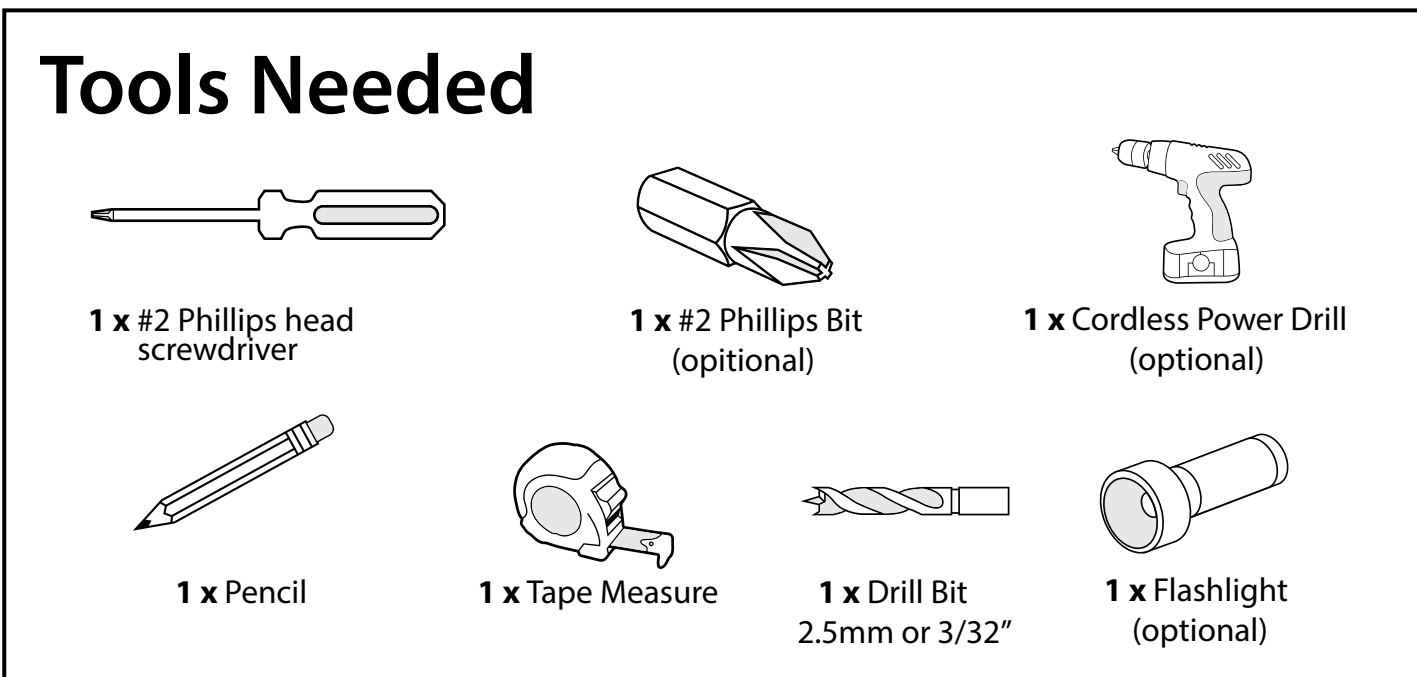
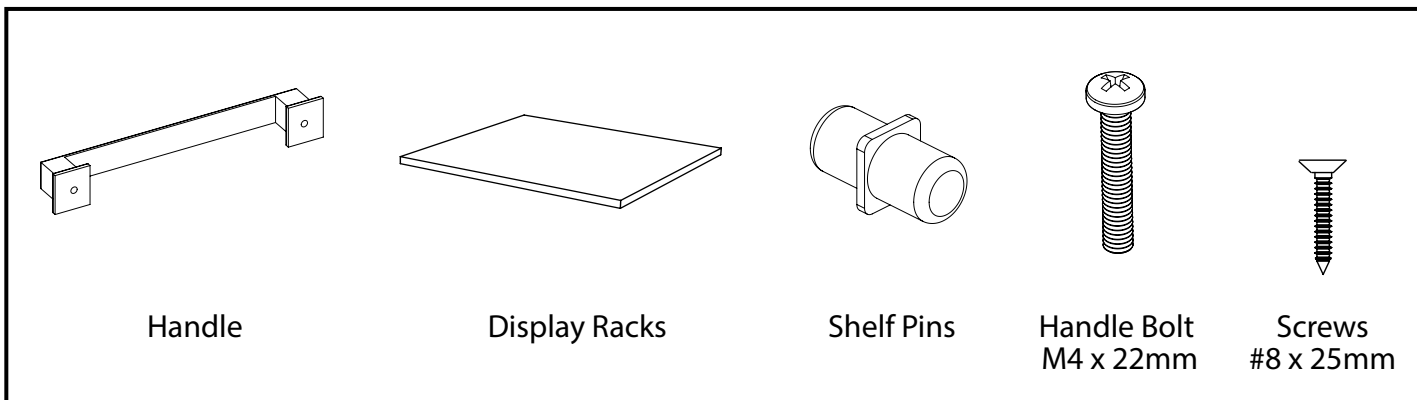
84" Countertop. Covers over 4 Cabinet



# Unpacking

- Begin by placing the package on a covered flat surface.
- Remove all cardboard, foam packaging material and clear plastic bags.
- Dispose / recycle all packaging materials.
- Verify all the contents in the box and gather the required tools. See "Parts" and "Tools Needed" in the list below.

<b>Parts Supplied</b>	<b>2 Door Cabinet Cabinet</b>
Handles	<b>2</b>
Handle Bolts (M4 x 22mm)	<b>4</b>
Adjustable Shelf	<b>1</b>
Shelf Pins	<b>8</b>
#8 x 25mm Screws	<b>6</b>

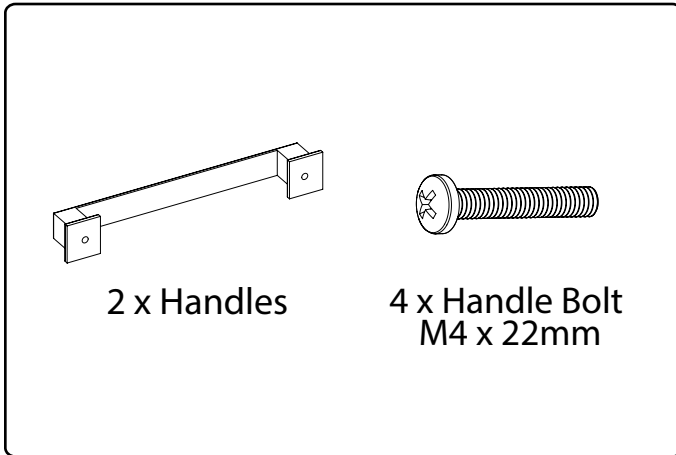


# Installing the Handles

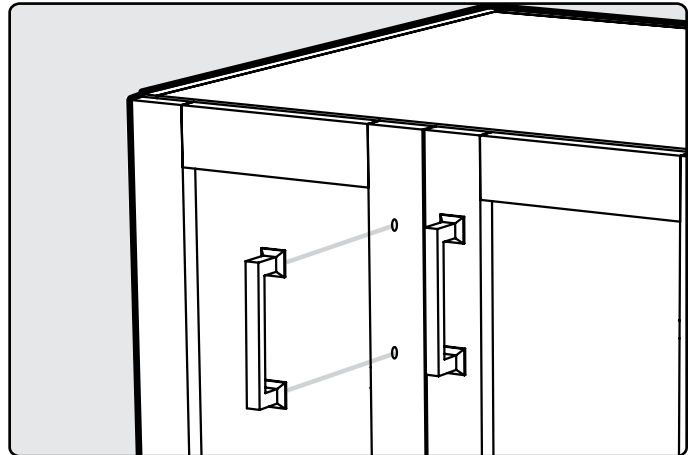
## Note:

Cabinets come with handles installed on inside of drawers/doors.

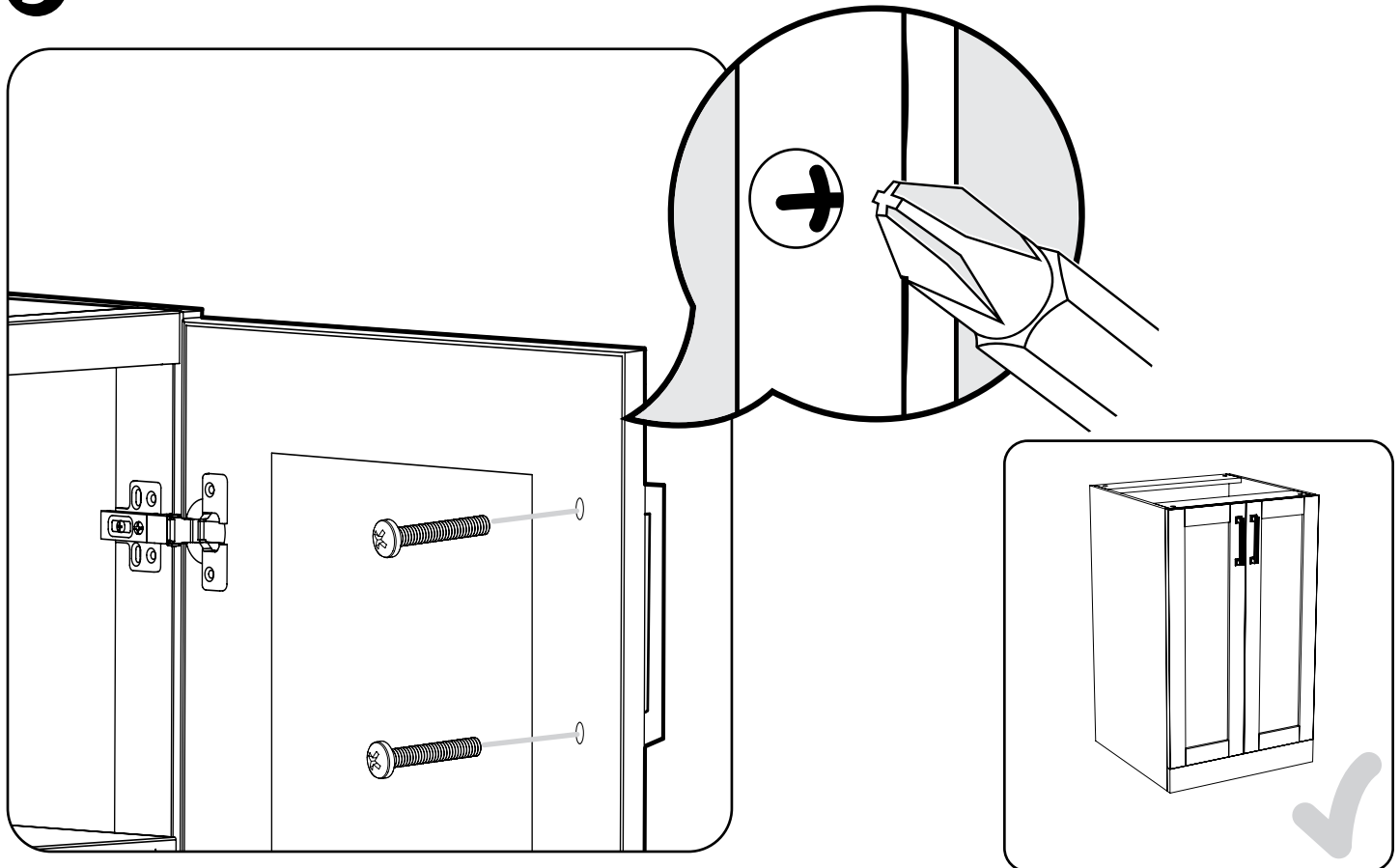
## 1 Parts Needed.



## 2 Align handle to holes on doors or drawers.



## 3 Screw in bolts.

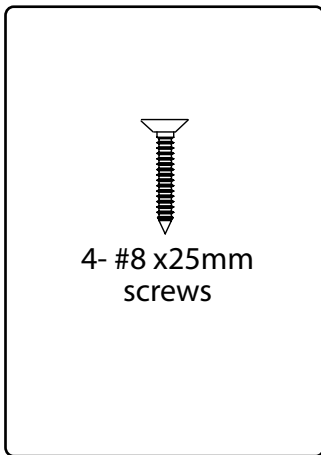


# Fastening Cabinets

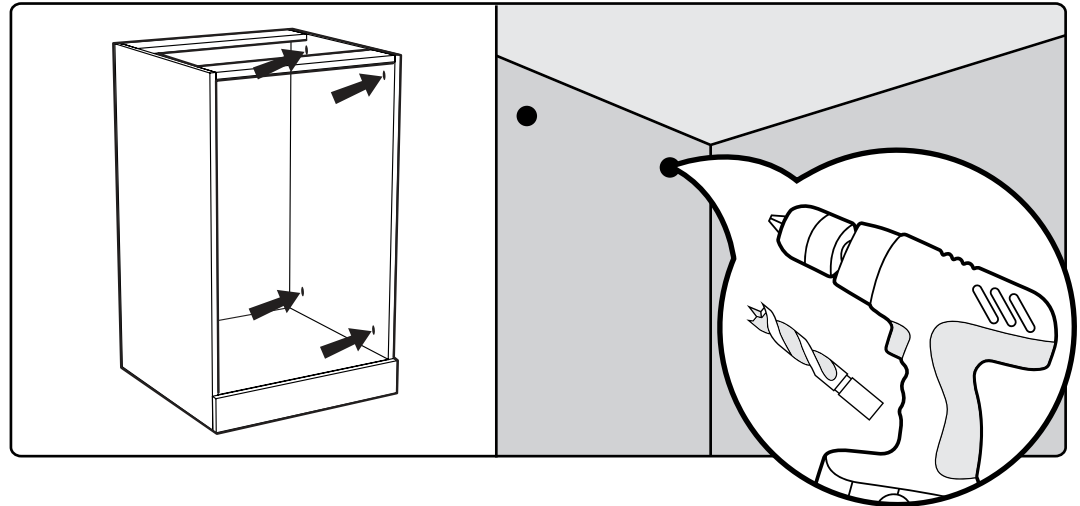
## Note:

All shelves must be removed prior to fastening cabinets together.

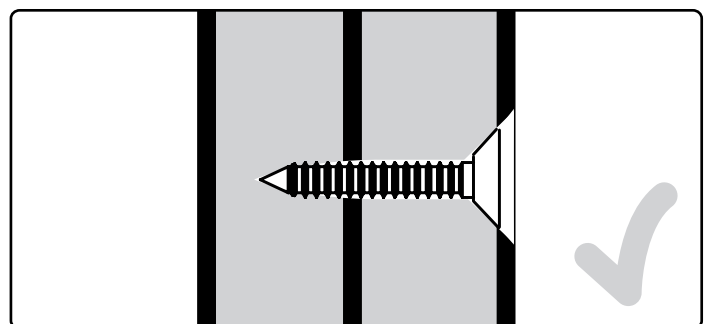
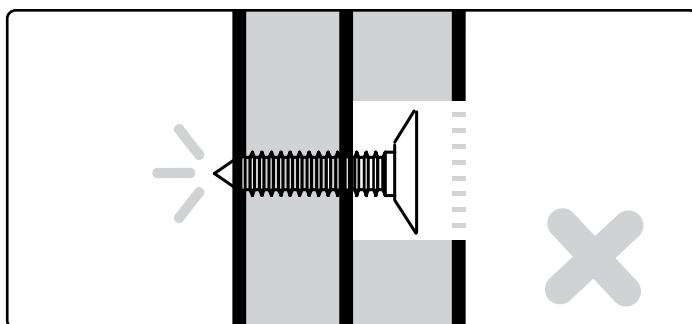
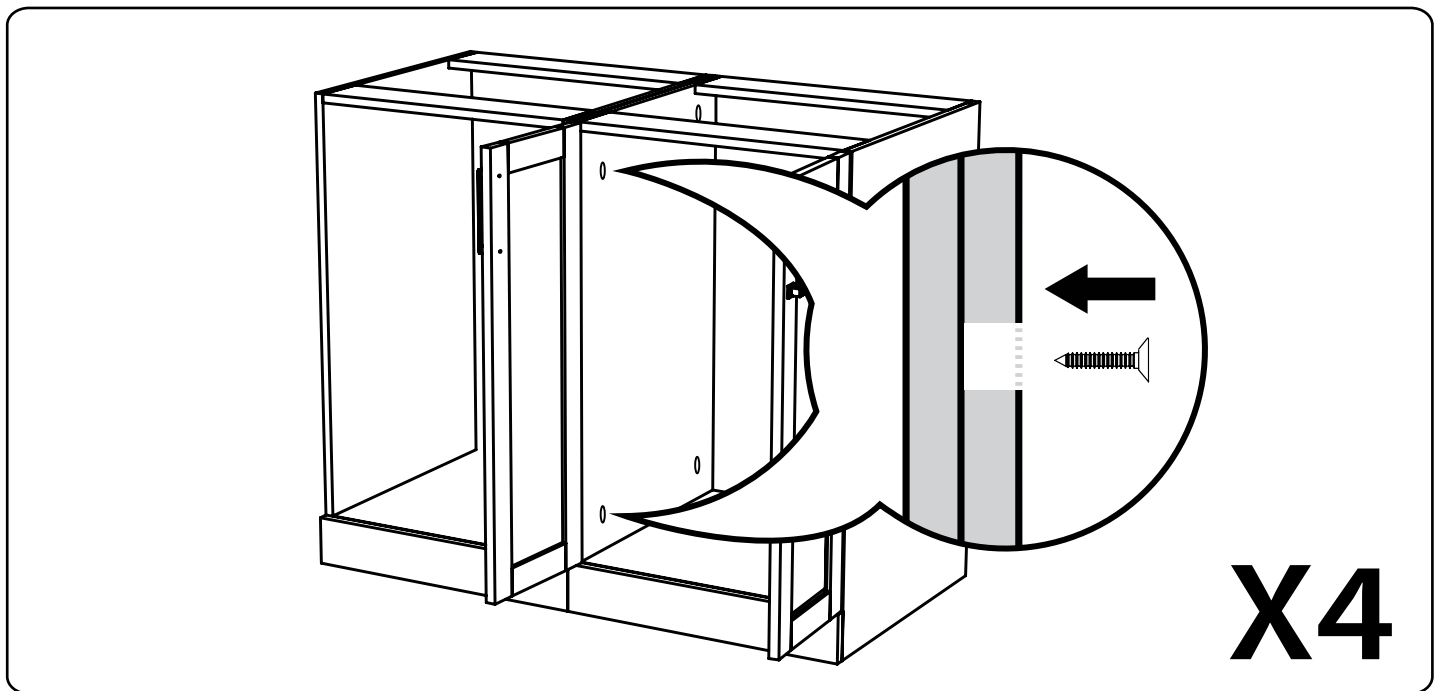
### 4 Parts Needed.



### 5 Drill 3/32" pilot holes on interior wall of cabinet being fastened.

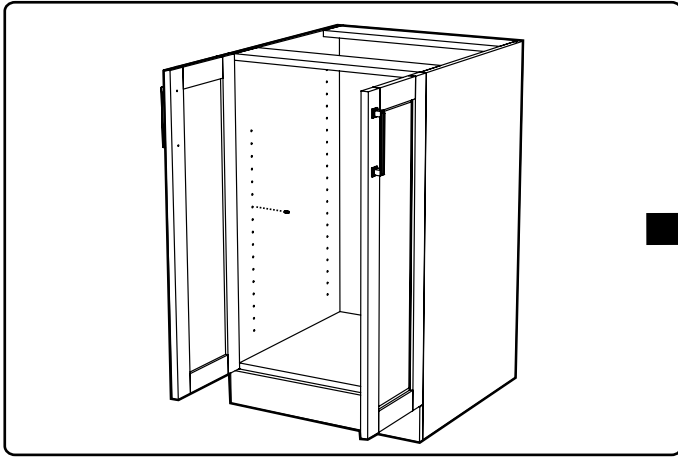


### 6 Using pilot hole as guides, screw into second cabinet. Do not over-tighten screws and punch through other side!

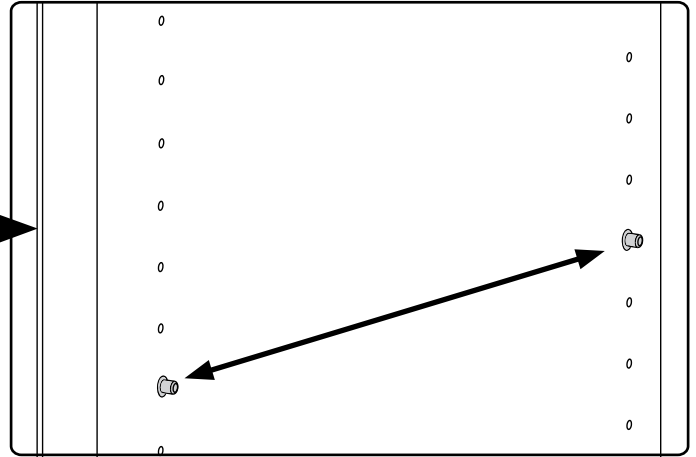


# Inserting Cabinets Shelves on an angle

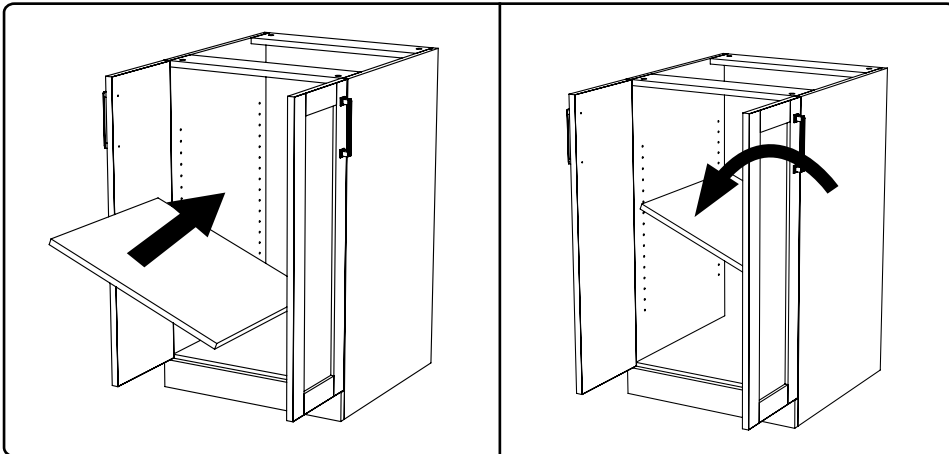
**11** Open cabinet doors. Attach shelf clips to desired height.



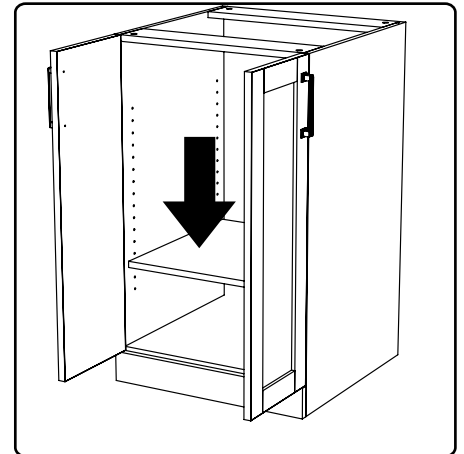
**12** Make sure shelf supports are located at the same height.



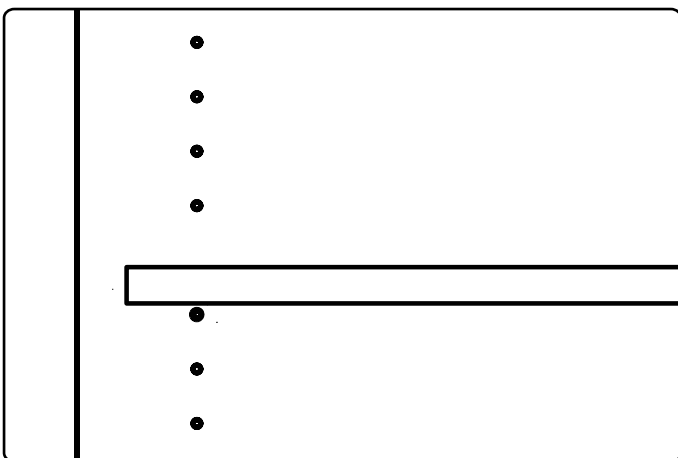
**13** Insert rack at a slight angle and position over shelf supports. Rotate shelf so it is level.



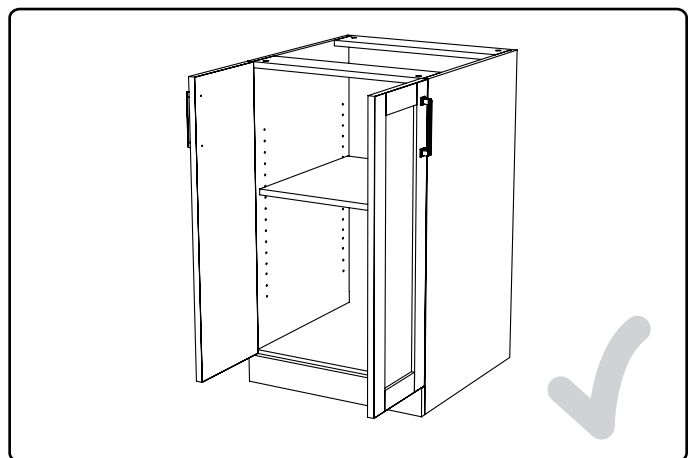
**14** Lower shelf down onto shelf supports.

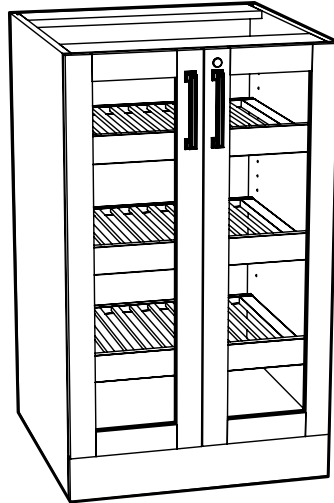


**15** Rest shelf on shelf supports



**16** Insert remaining shelves.





# HOME BAR SERIES

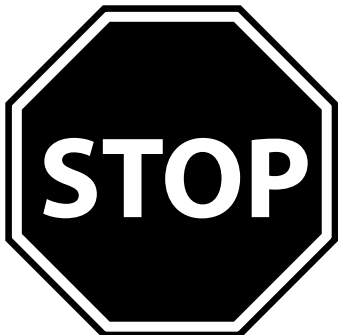
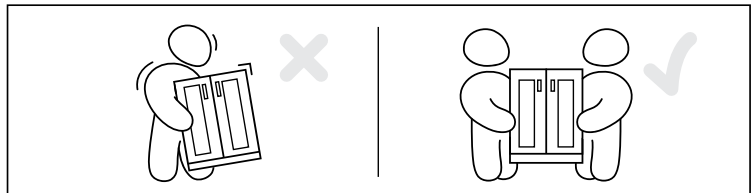
## 21in. DISPLAY CABINET

### **Warning: Excessive weight hazard!**



Use two or more people to move, assemble, or install cabinets to avoid back injury. Do not leave children unattended near cabinets. High risk of tipping if cabinets are installed incorrectly: securely attach cabinets to the wall to avoid serious injury.

For assistance, call 1.877.306.8930; for U.K 0800.031.4069; e-mail at [info@newageproducts.com](mailto:info@newageproducts.com).

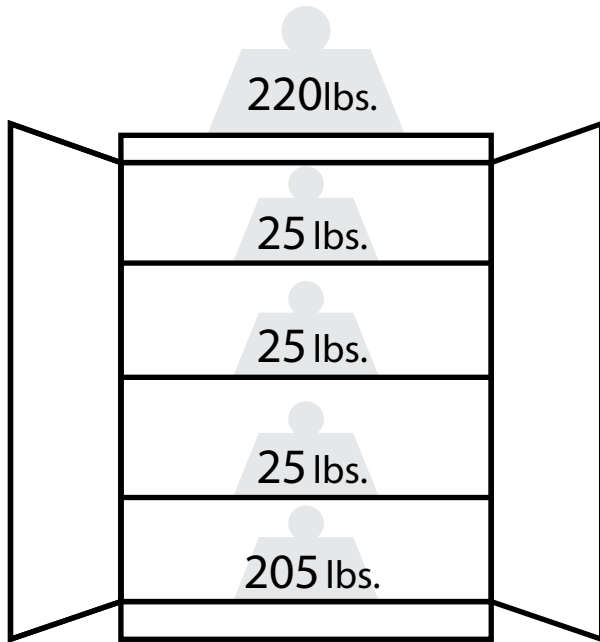


### **ATTENTION:** Is your cabinet damaged?

Need help or spare parts? For fastest service, contact NewAge Products at 1-877-306-8930; or [support@newageproducts.com](mailto:support@newageproducts.com). Do not return to the retailer.



# Weight Capacity

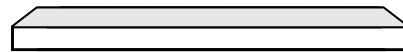


Bottle Display  
Base Cabinet  
Max 500lbs.

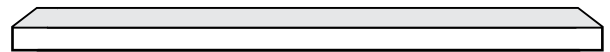
# Countertops



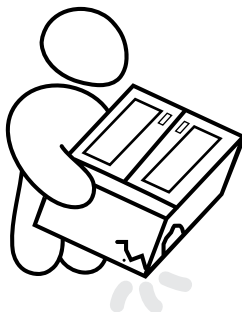
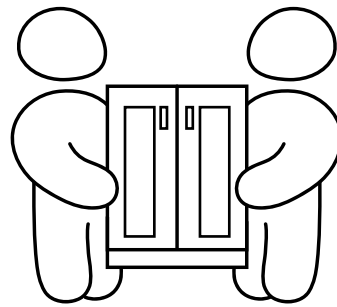
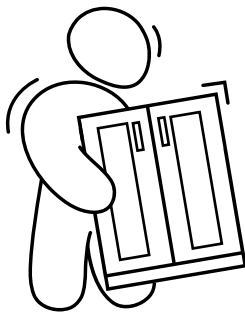
42" Countertop. Fits over 2 Cabinets



63" Countertop. Fits over 3 Cabinet



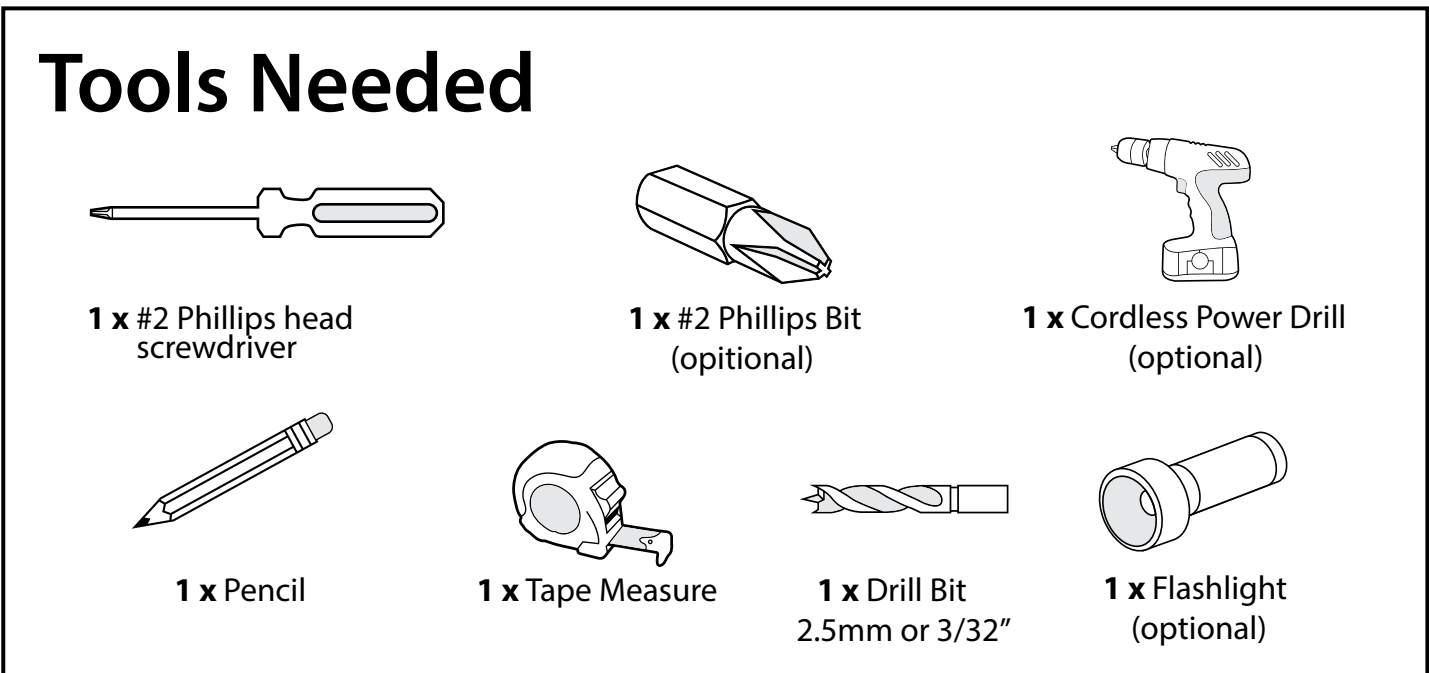
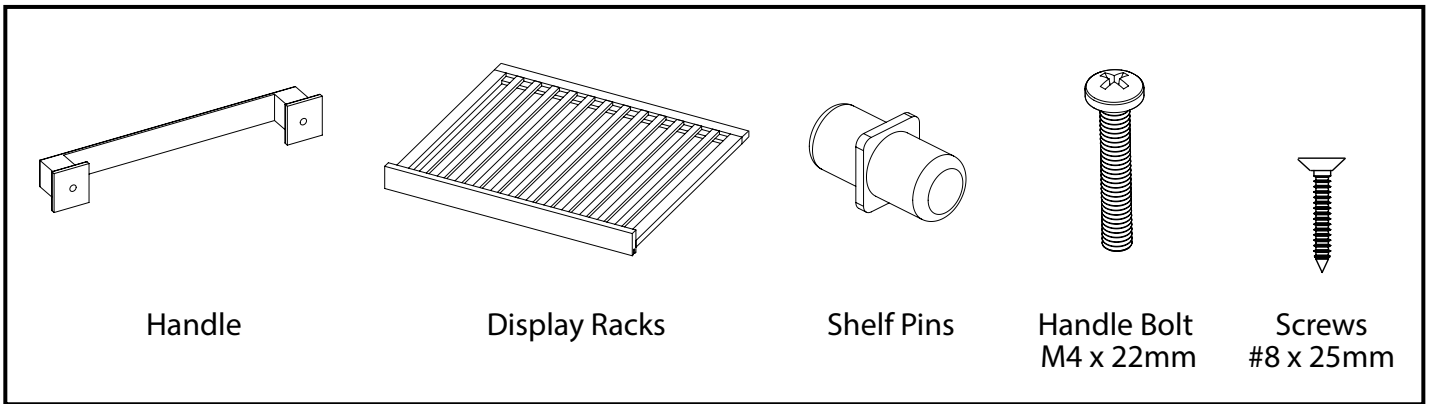
84" Countertop. Covers over 4 Cabinet



# Unpacking

- Begin by placing the package on a covered flat surface.
- Remove all cardboard, foam packaging material and clear plastic bags.
- Dispose / recycle all packaging materials.
- Verify all the contents in the box and gather the required tools. See "Parts" and "Tools Needed" in the list below.

Parts Supplied	Bottle Display Cabinet
Handles	2
Handle Bolts (M4 x 22mm)	4
Adjustable Display Racks	3
Shelf Pins	14
#8 x 25mm Screws	6

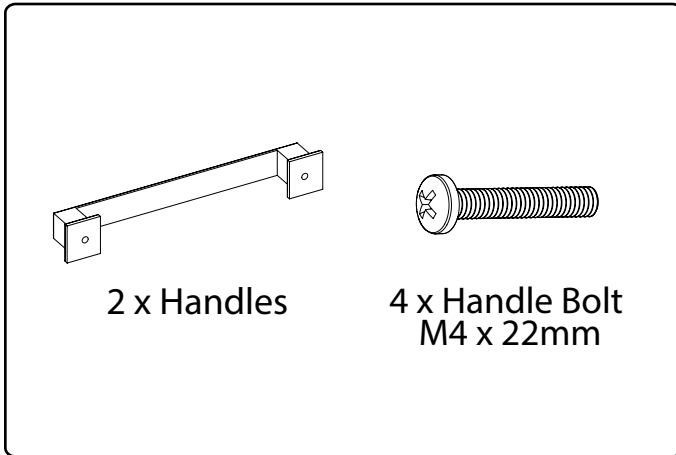


# Installing the Handles

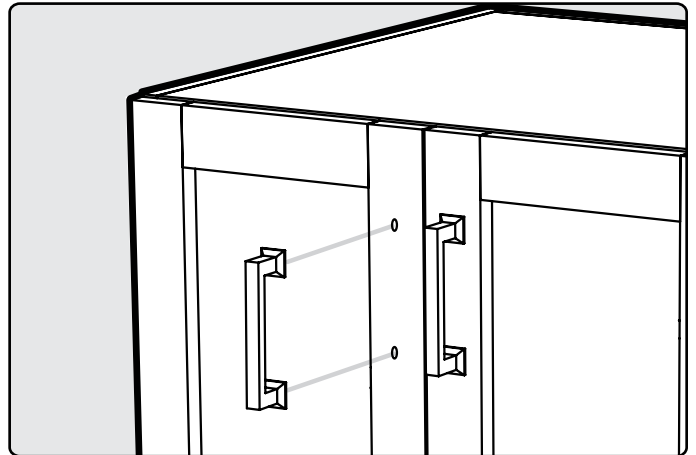
## Note:

Cabinets come with handles installed on inside of drawers/doors.

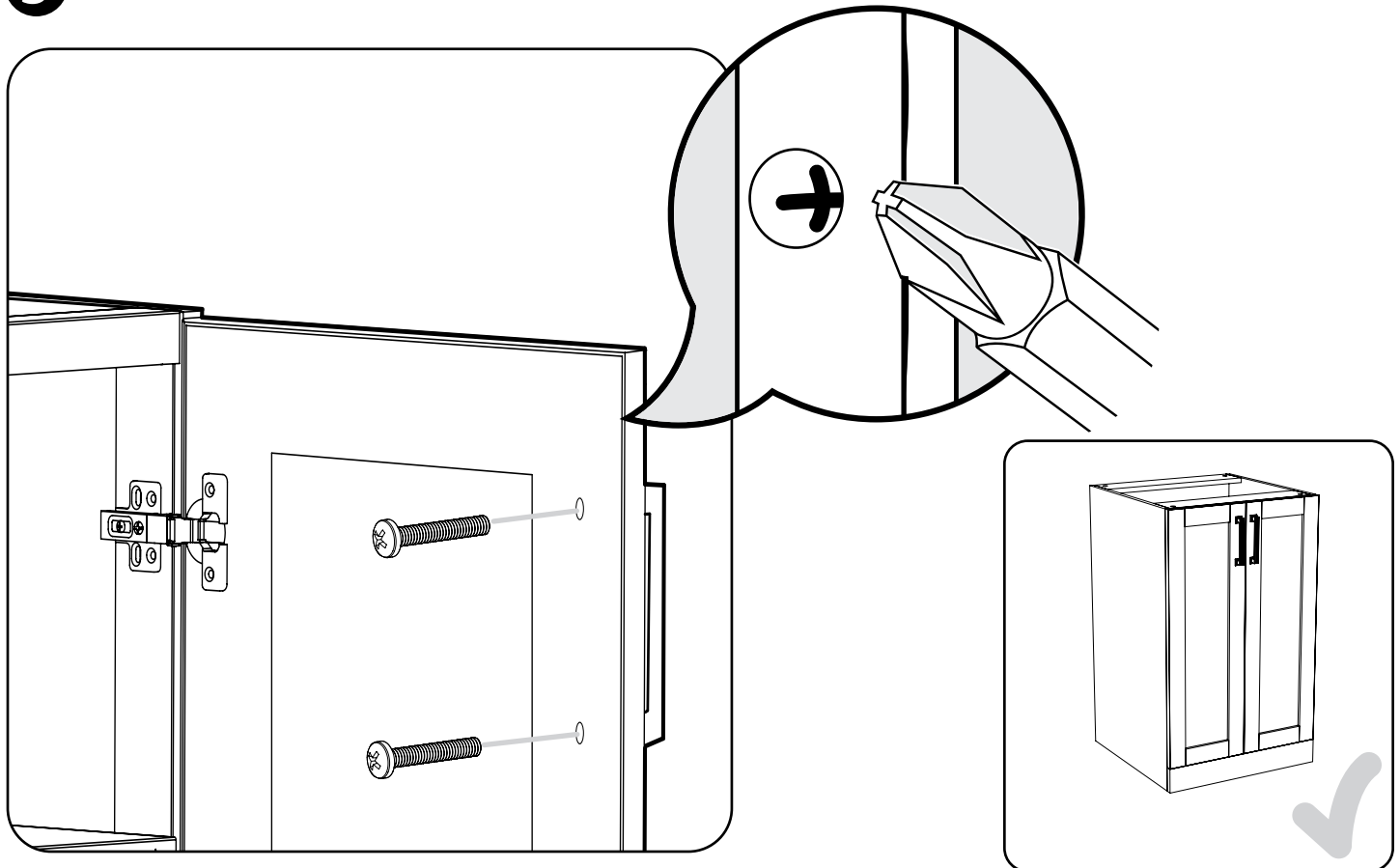
## 1 Parts Needed.



## 2 Align handle to holes on doors or drawers.



## 3 Screw in bolts.

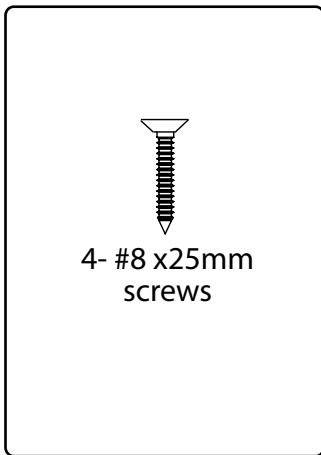


# Fastening Cabinets

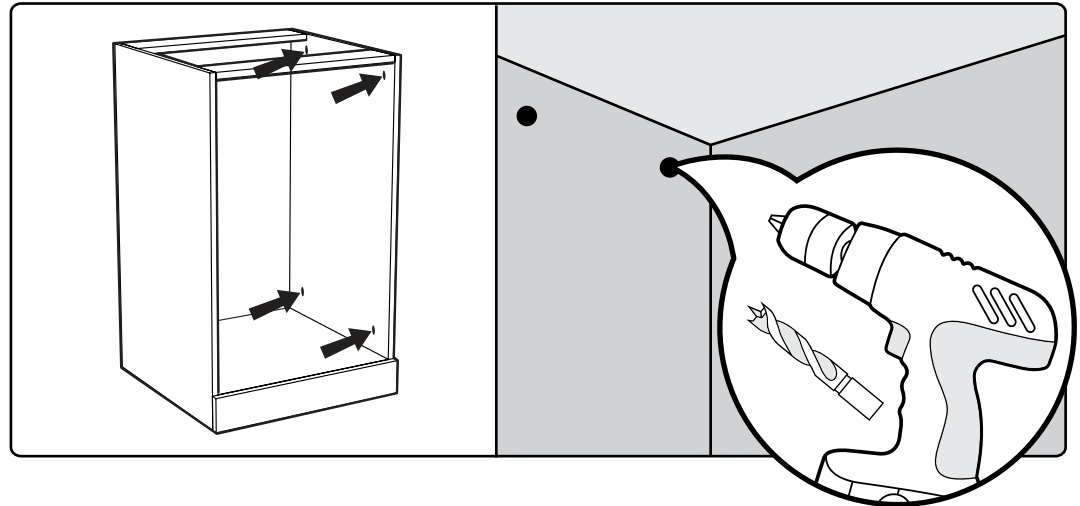
## Note:

All shelves must be removed prior to fastening cabinets together.

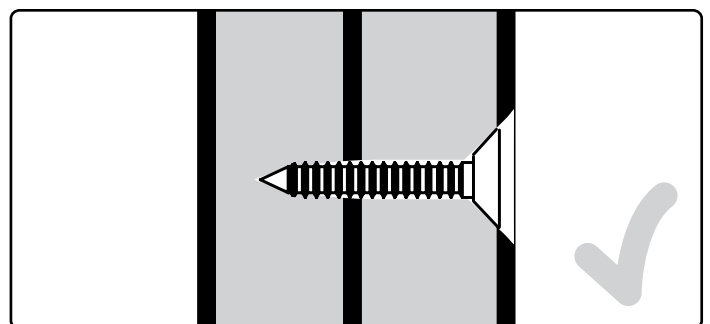
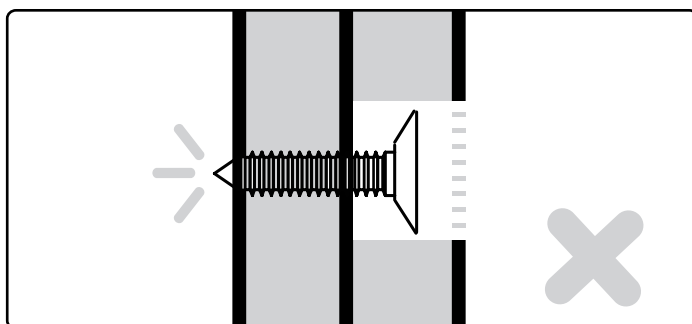
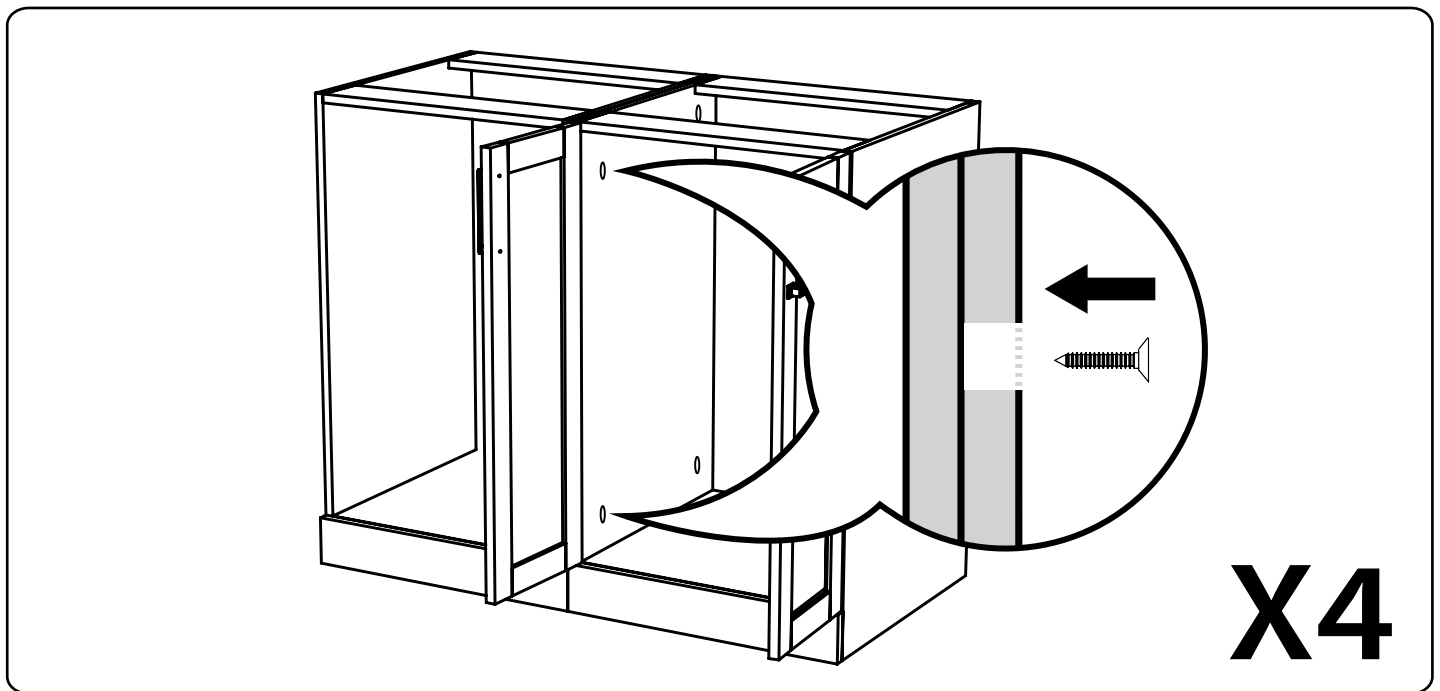
### 4 Parts Needed.



### 5 Drill 3/32" pilot holes on interior wall of cabinet being fastened.

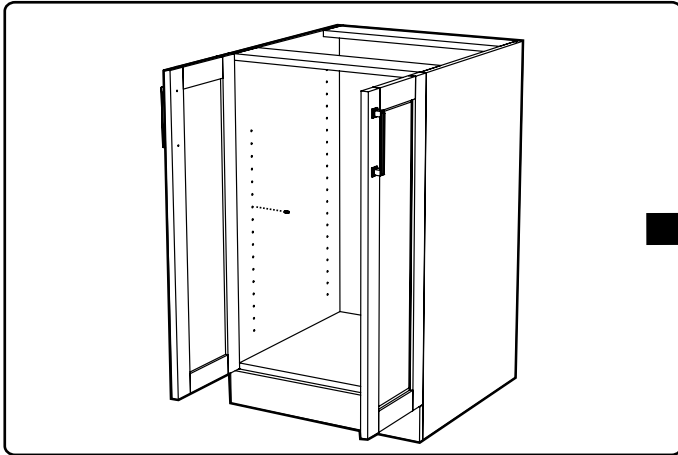


### 6 Using pilot hole as guides, screw into second cabinet. Do not over-tighten screws and punch through other side!

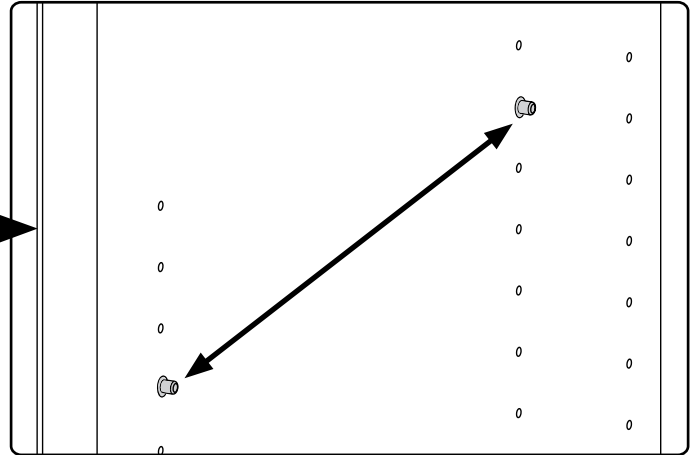


# Inserting Cabinets Shelves on an angle

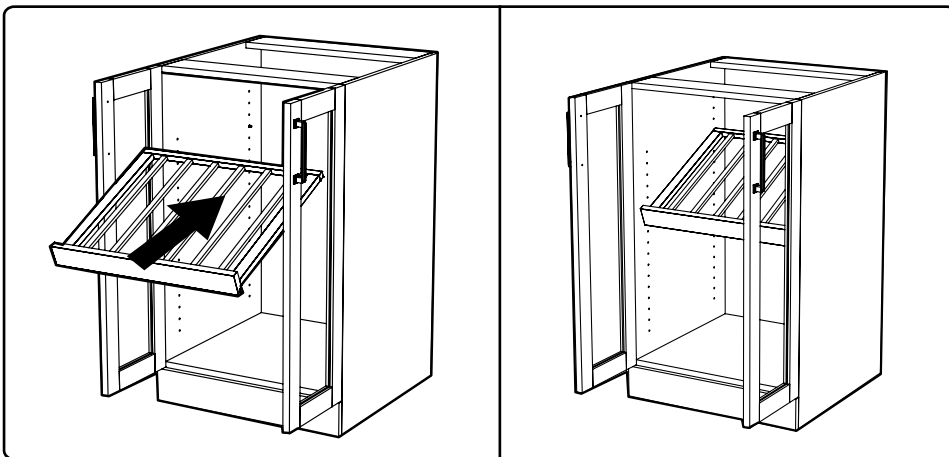
**11** Open cabinet doors. Attach shelf clips to desired height.



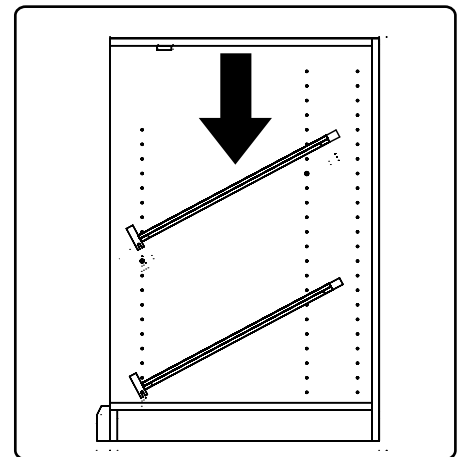
**12** The shelf supports are inserted into front and middle hole positions.



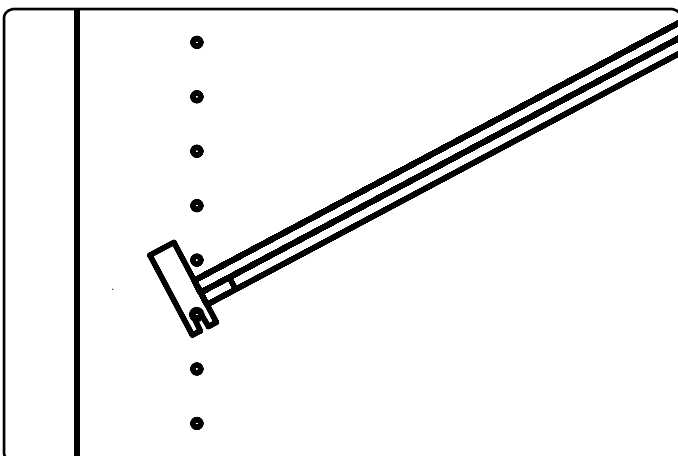
**13** Insert rack at a slight angle and position over shelf supports.



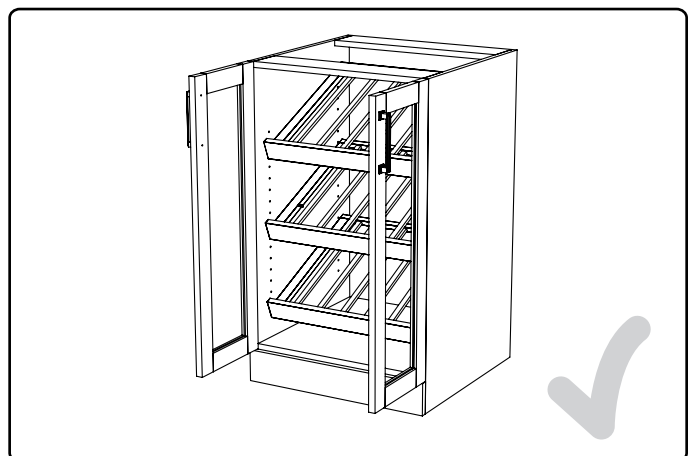
**14** Lower shelf down onto shelf supports.



**15** Ensure shelf supports sits in groove on lower edge of rack.

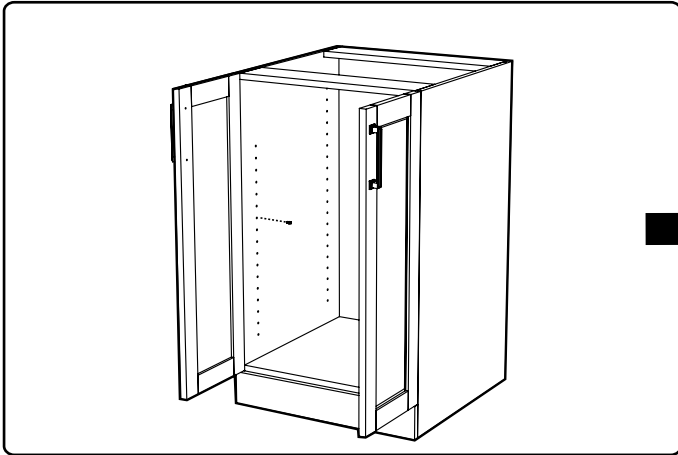


**16** Insert remaining shelves.

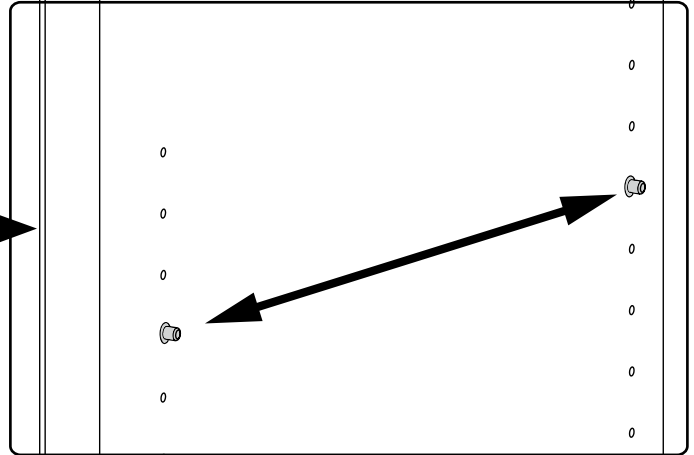


# Inserting Cabinets Shelves Horizontal

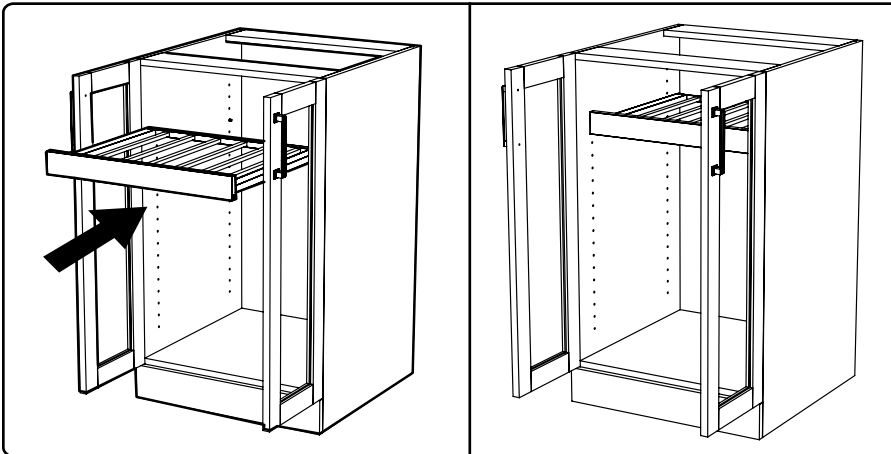
**17** Open cabinet doors. Attach shelf clips to desired height.



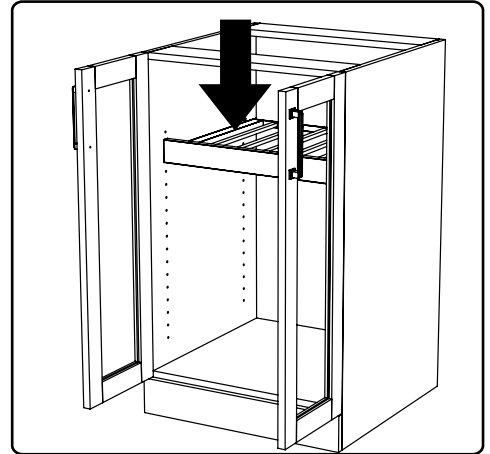
**18** The shelf supports are inserted into front and back holes.



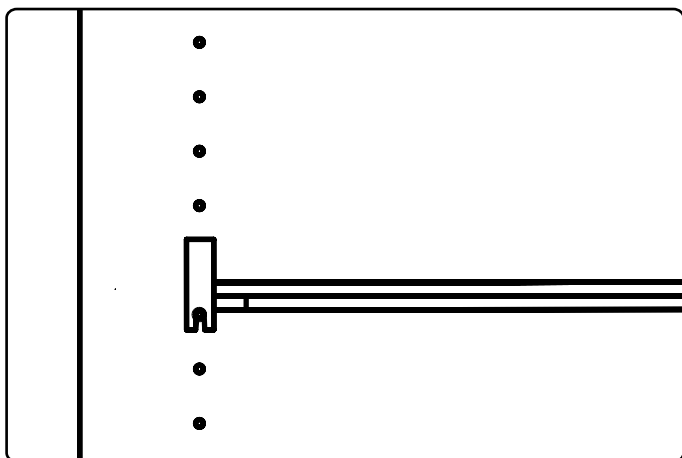
**19** Insert rack at a slight angle and position over shelf supports.



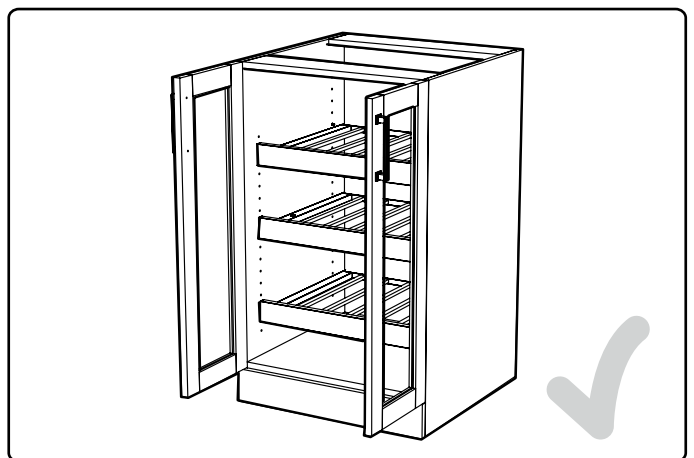
**20** Lower shelf down onto shelf supports.

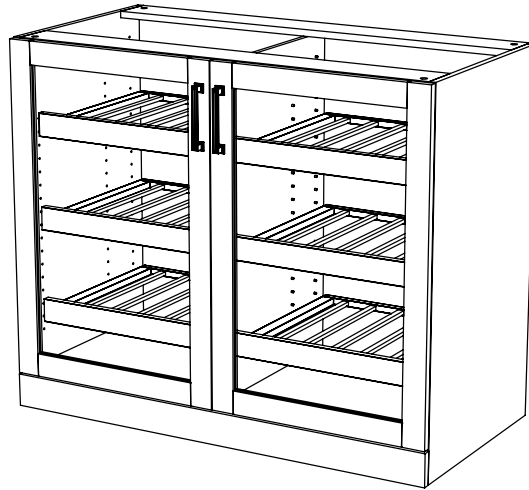


**21** Lower shelf down onto shelf supports.



**22** Insert remaining shelves.





# HOME BAR SERIES

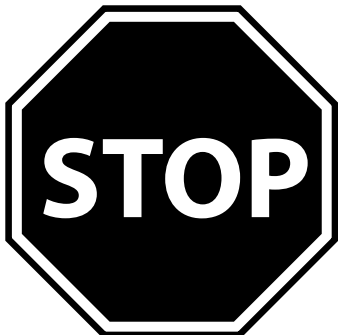
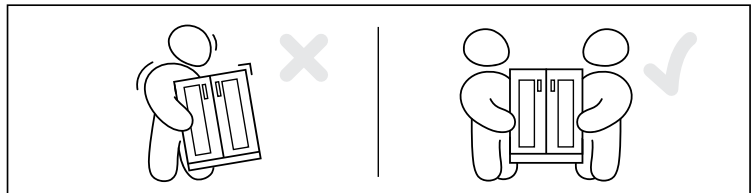
## 42in. DISPLAY CABINET

### **Warning: Excessive weight hazard!**



Use two or more people to move, assemble, or install cabinets to avoid back injury. Do not leave children unattended near cabinets. High risk of tipping if cabinets are installed incorrectly: securely attach cabinets to the wall to avoid serious injury.

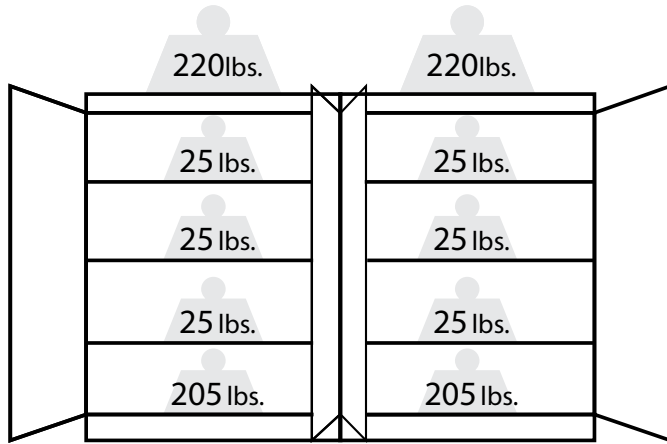
For assistance, call 1.877.306.8930; for U.K 0800.031.4069; e-mail at [info@newageproducts.com](mailto:info@newageproducts.com).



### **ATTENTION:** Is your cabinet damaged?

Need help or spare parts? For fastest service, contact NewAge Products at 1-877-306-8930; or [support@newageproducts.com](mailto:support@newageproducts.com). Do not return to the retailer.

# Weight Capacity



Bottle Display  
Base Cabinet  
Max 500lbs.

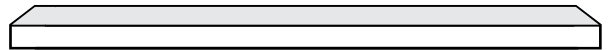
# Countertops



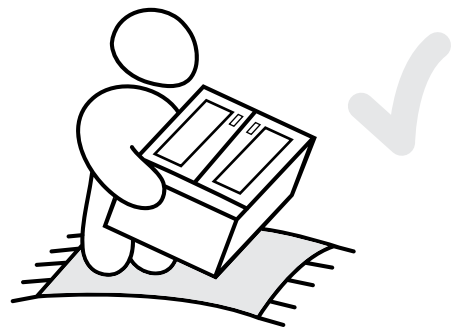
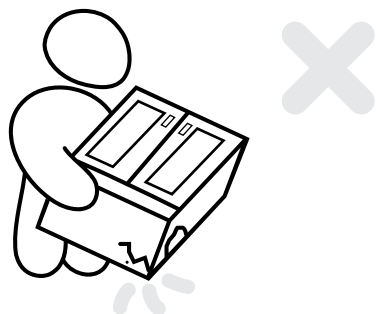
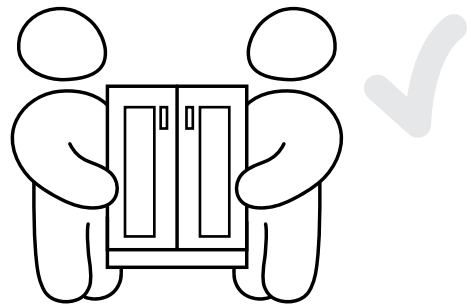
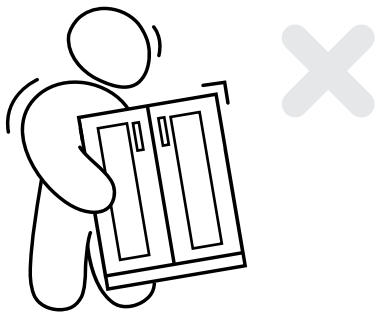
42" Countertop. Fits over 2 Cabinets



63" Countertop. Fits over 3 Cabinet



84" Countertop. Covers over 4 Cabinet

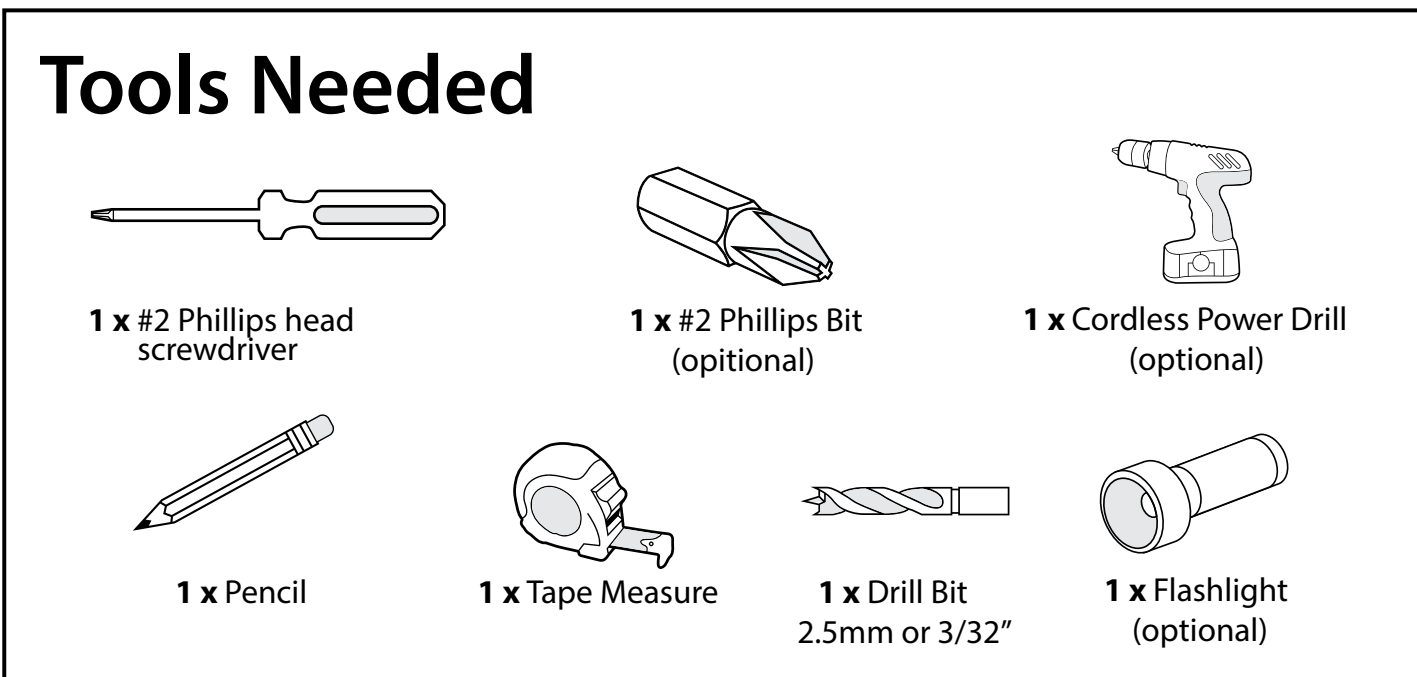
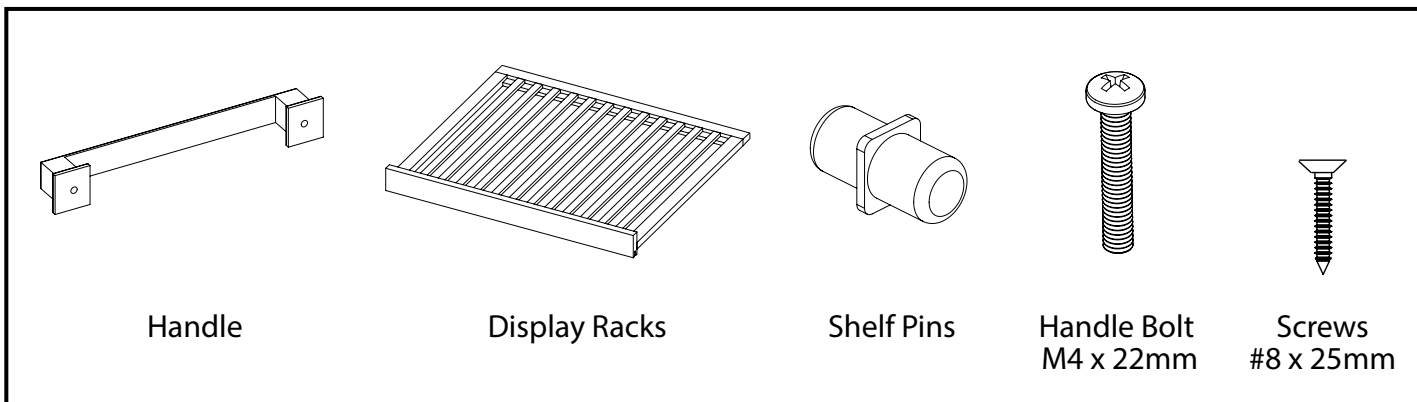




# Unpacking

- Begin by placing the package on a covered flat surface.
- Remove all cardboard, foam packaging material and clear plastic bags.
- Dispose / recycle all packaging materials.
- Verify all the contents in the box and gather the required tools. See "Parts" and "Tools Needed" in the list below.

Parts Supplied	Bottle Double Display Cabinet
Handles	2
Handle Bolts (M4 x 22mm)	4
Adjustable Display Racks	6
Shelf Pins	28
#8 x 25mm Screws	12

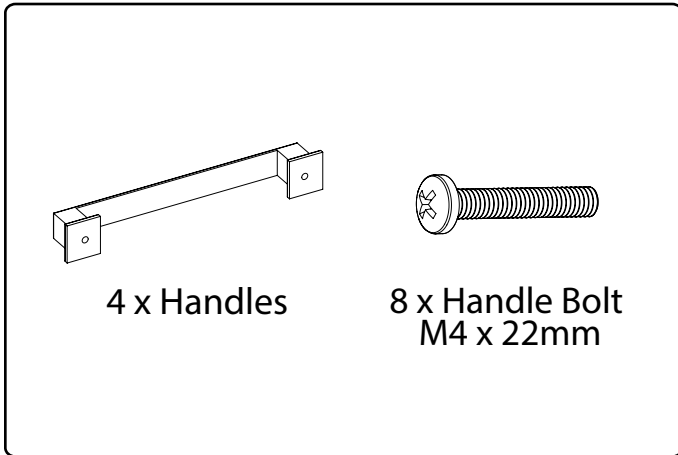


# Installing the Handles

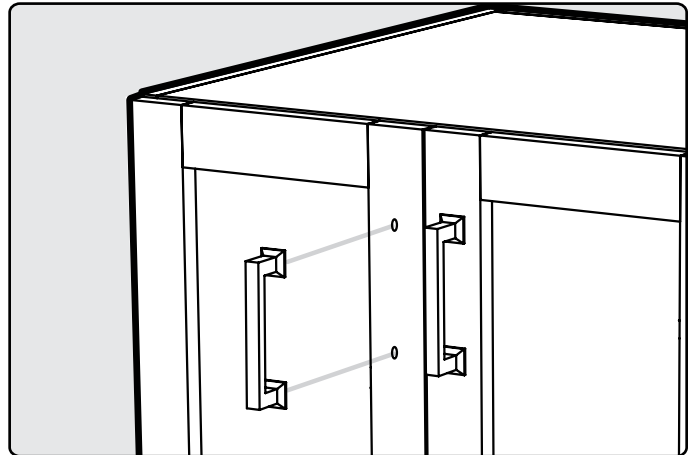
## Note:

Cabinets come with handles installed on inside of drawers/doors.

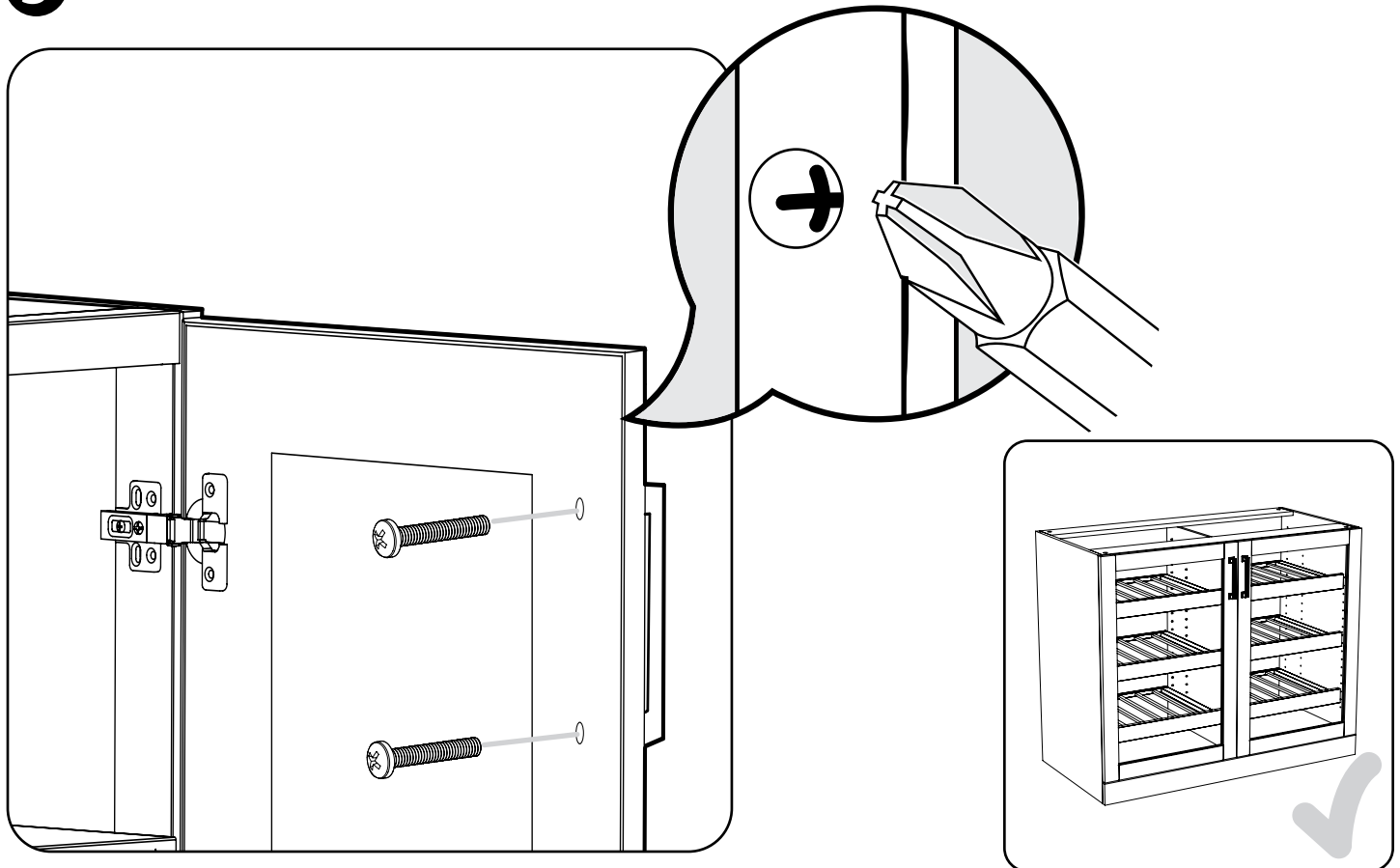
## 1 Parts Needed.



## 2 Align handle to holes on doors or drawers.



## 3 Screw in bolts.

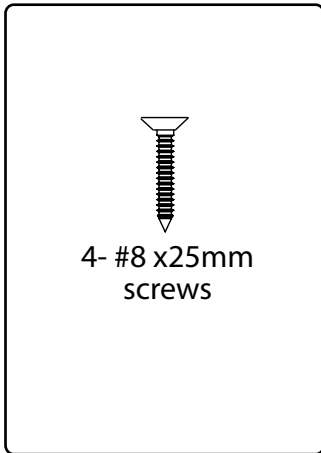


# Fastening Cabinets

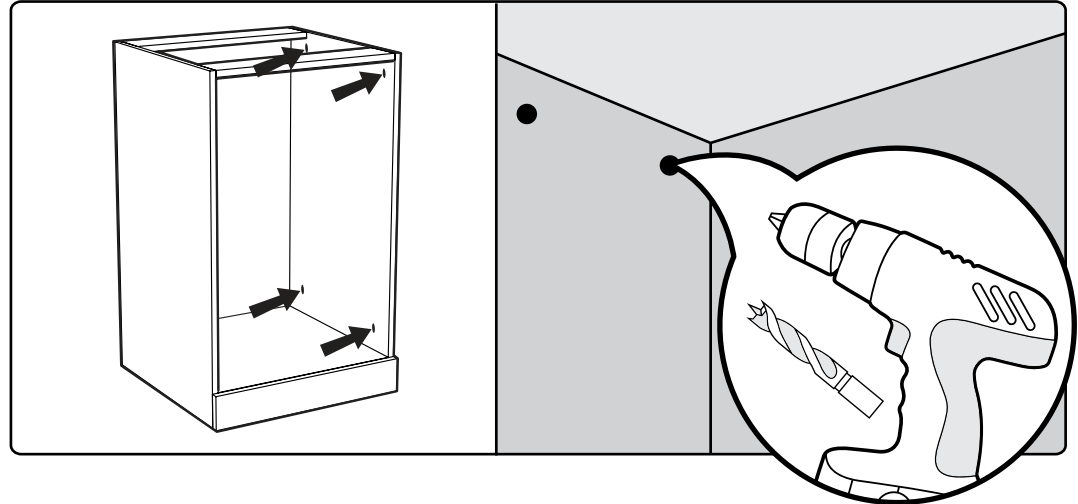
## Note:

All shelves must be removed prior to fastening cabinets together.

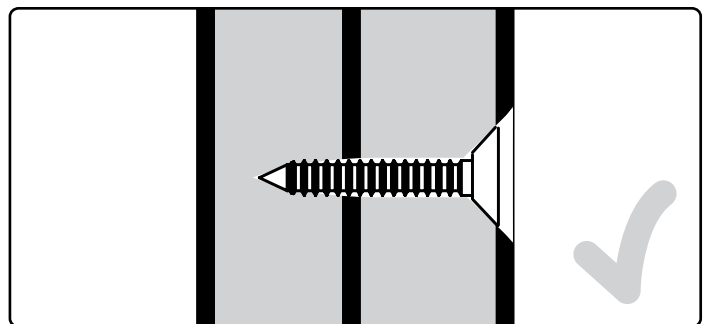
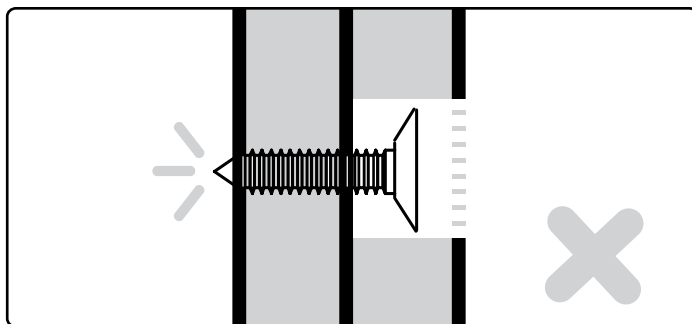
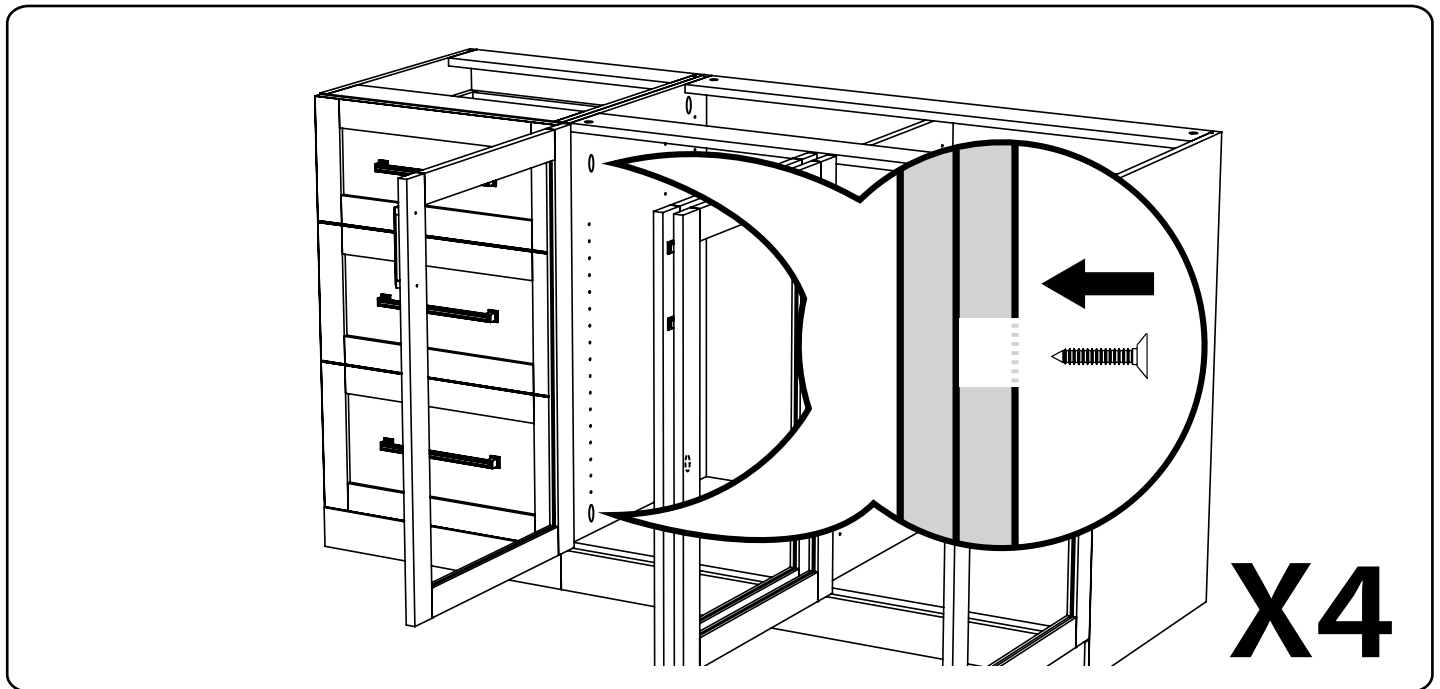
### 4 Parts Needed.



### 5 Drill 3/32" pilot holes on interior wall of cabinet being fastened.

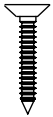


### 6 Using pilot hole as guides, screw into second cabinet. Do not over-tighten screws and punch through other side!



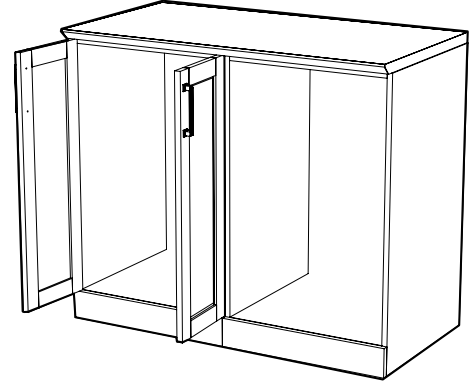
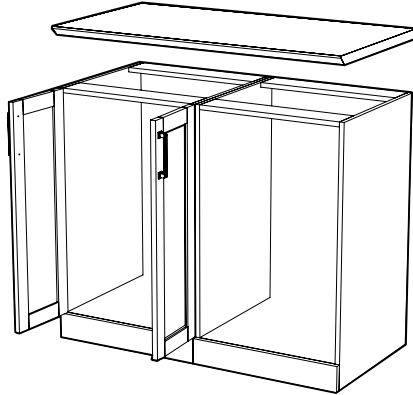
# Mounting the Worktop

**7** Parts Needed.

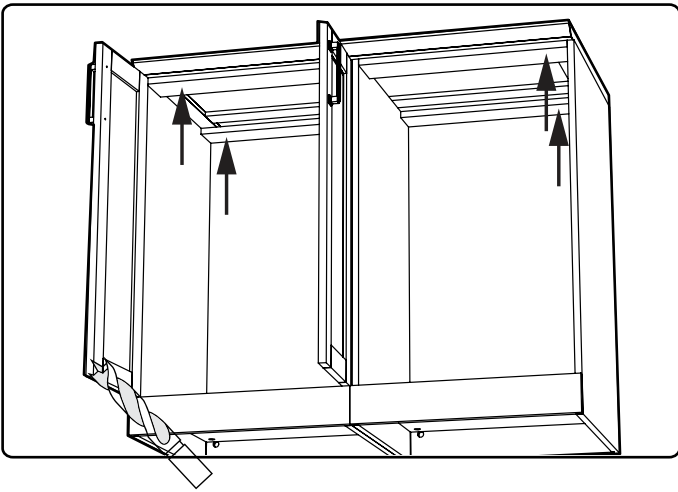


4- #8 x25mm screws

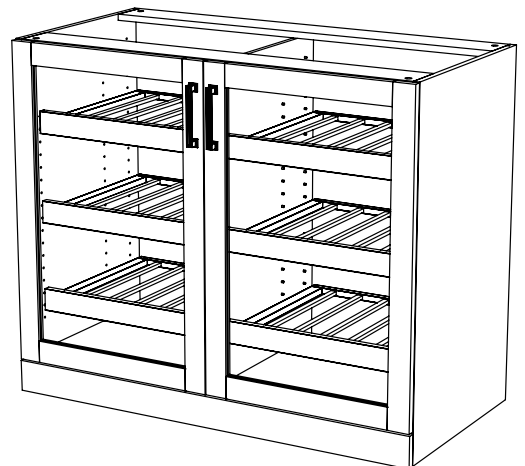
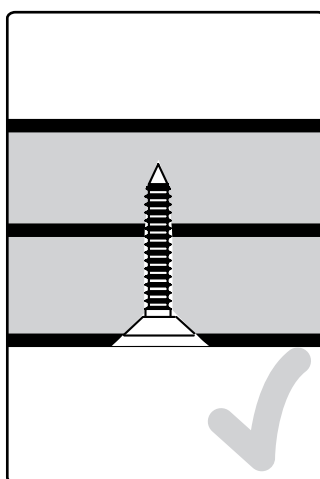
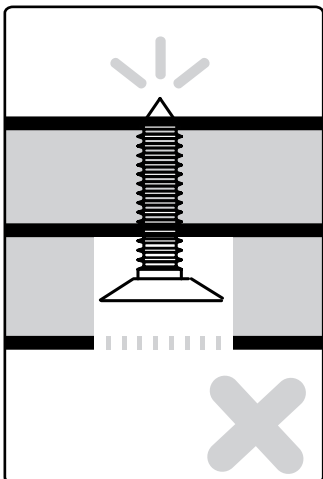
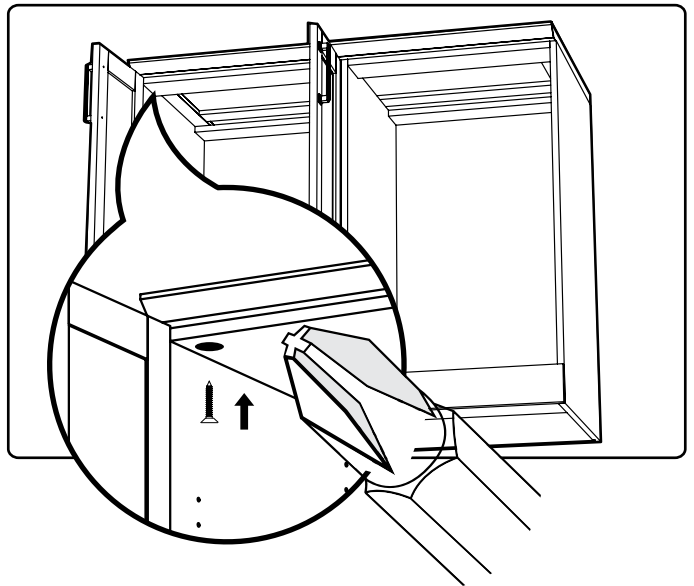
**8** Place worktop over cabinets and lower onto cabinets.



**9** Drill 3/32" pilot holes on interior roof of cabinet.

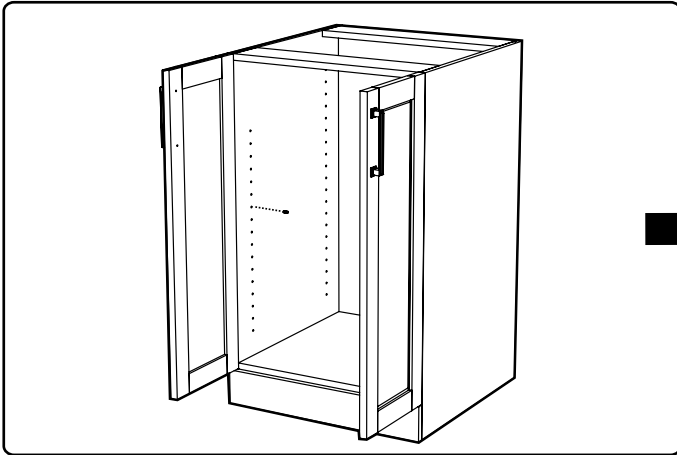


**10** Tighten screws to secure cabinets.

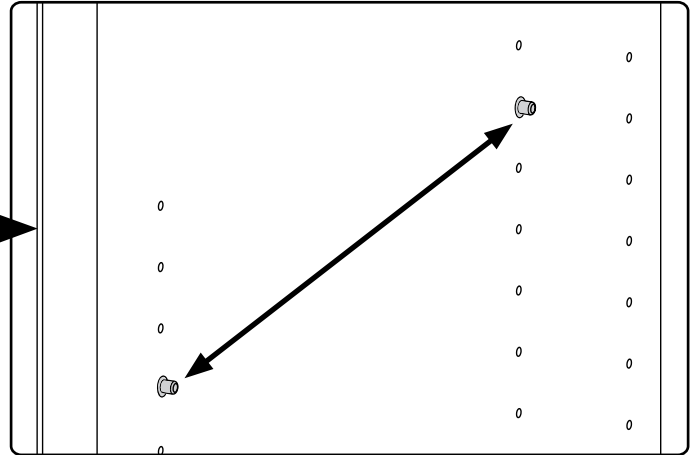


# Inserting Cabinets Shelves on an angle

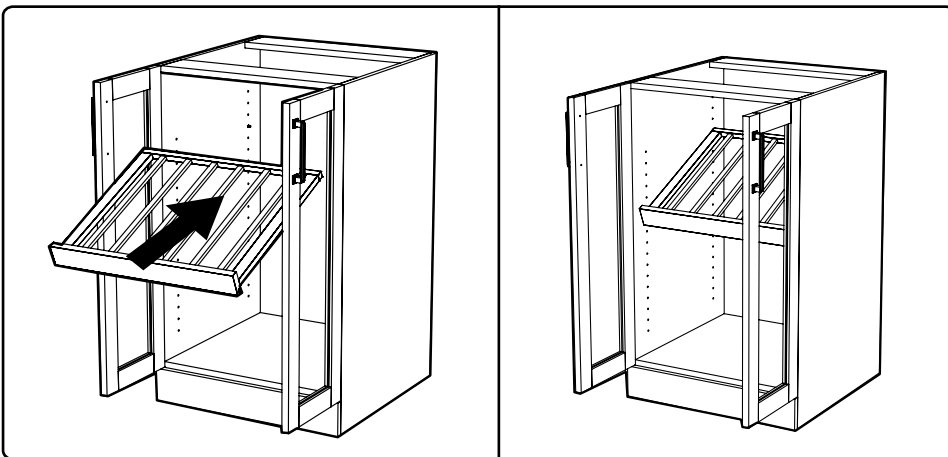
**11** Open cabinet doors. Attach shelf clips to desired height.



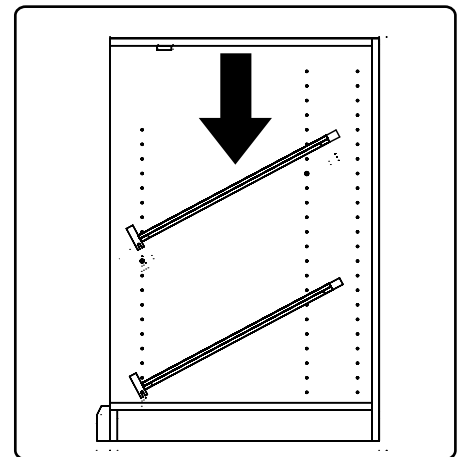
**12** The shelf supports are inserted into front and middle hole positions.



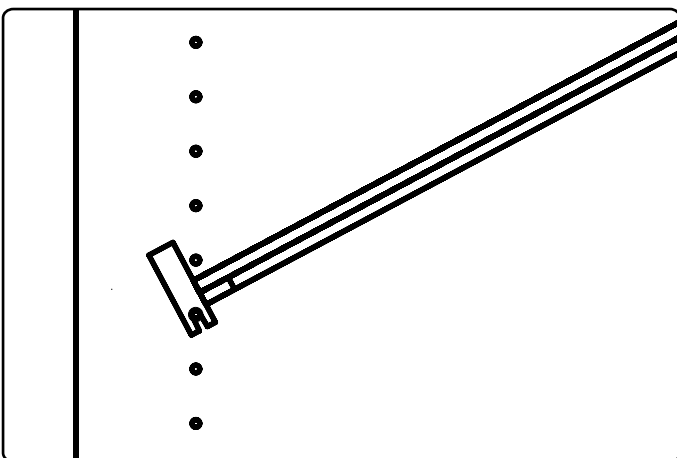
**13** Insert rack at a slight angle and position over shelf supports.



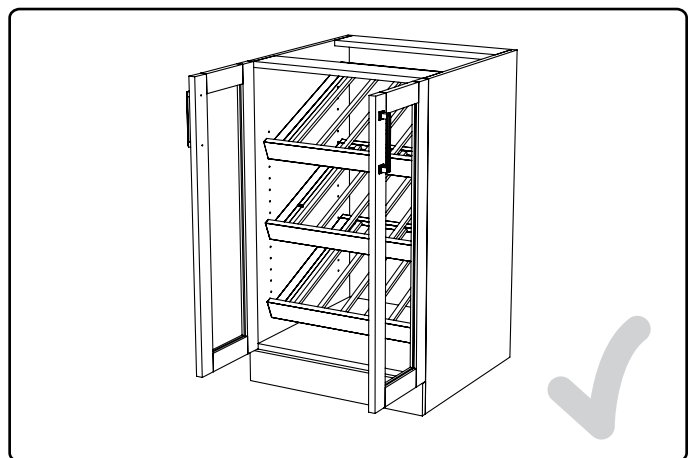
**14** Lower shelf down onto shelf supports.



**15** Ensure shelf supports sits in groove on lower edge of rack.

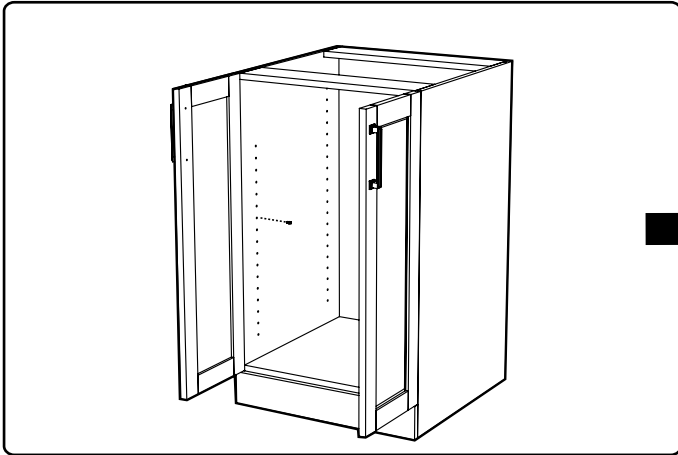


**16** Insert remaining shelves.

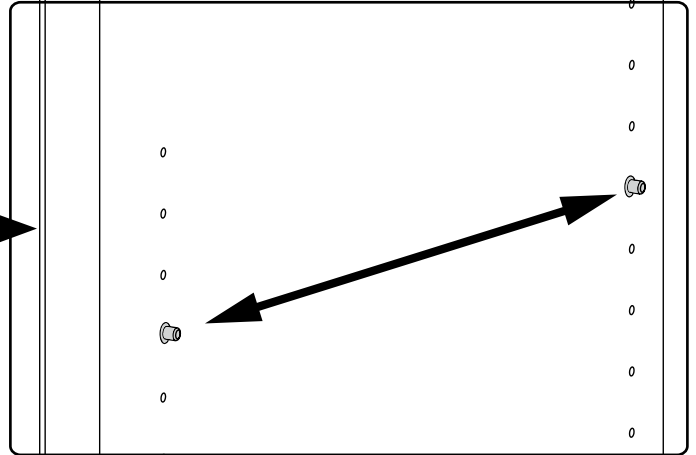


# Inserting Cabinets Shelves Horizontal

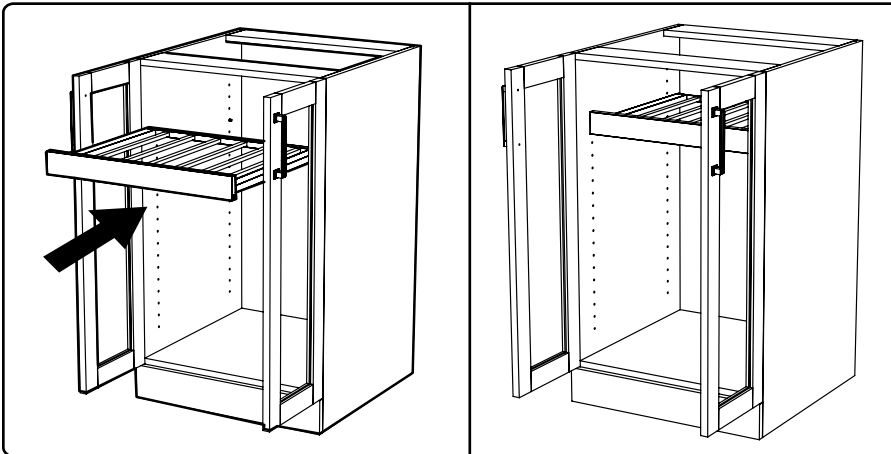
**17** Open cabinet doors. Attach shelf clips to desired height.



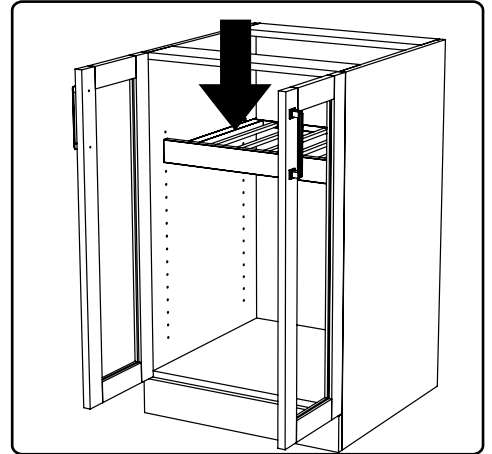
**18** The shelf supports are inserted into front and back holes.



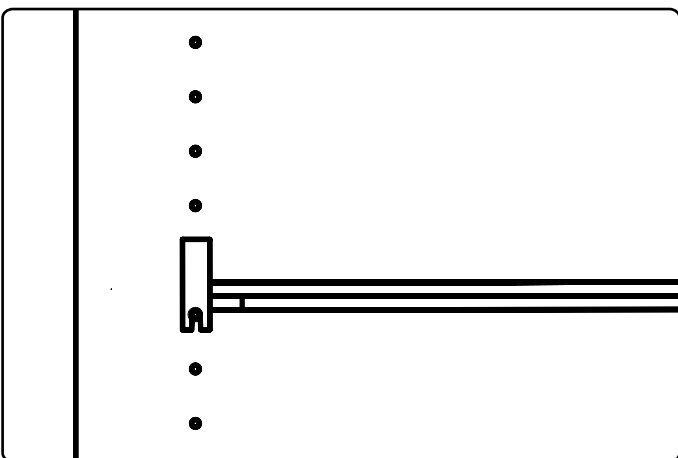
**19** Insert rack at a slight angle and position over shelf supports.



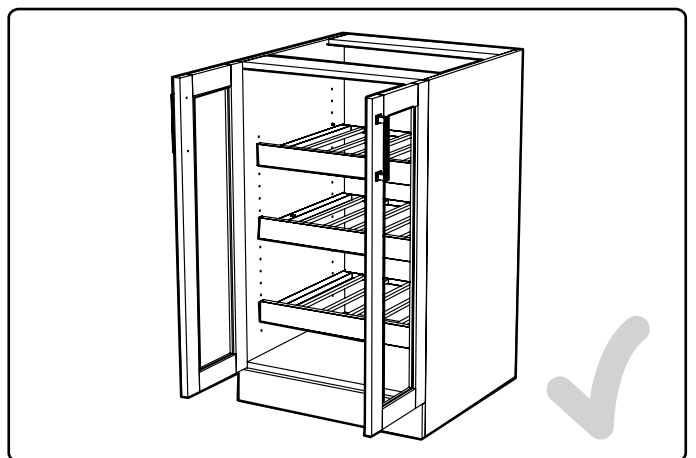
**20** Lower shelf down onto shelf supports.

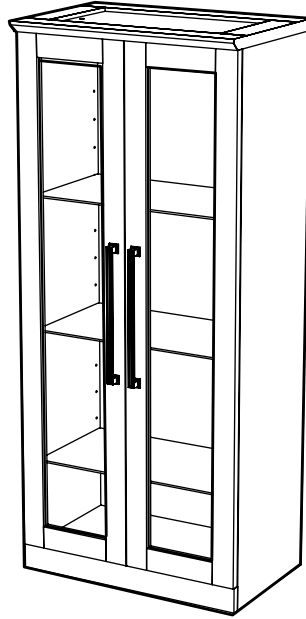


**21** Lower shelf down onto shelf supports.



**22** Insert remaining shelves.





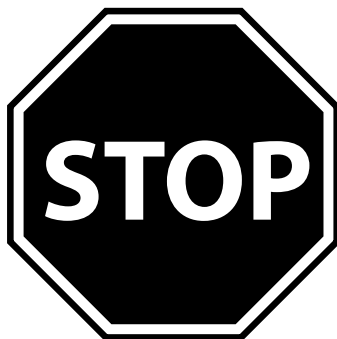
# HOME BAR SERIES

## 21in. TALL WALL DISPLAY



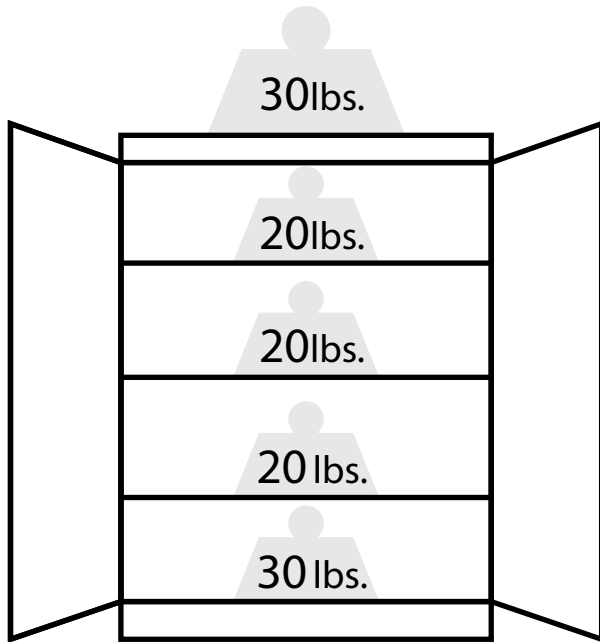
### **Warning: Excessive weight hazard!**

Use two or more people to move, assemble, or install cabinets to avoid back injury. Do not leave children unattended near cabinets. High risk of tipping if cabinets are installed incorrectly: securely attach cabinets to the wall to avoid serious injury. For assistance, call 1.877.306.8930; for U.K 0800.031.4069; e-mail at [info@newageproducts.com](mailto:info@newageproducts.com).



**ATTENTION:** Is your cabinet damaged? Need help or spare parts? For fastest service, contact NewAge Products at 1-877-306-8930; or [support@newageproducts.com](mailto:support@newageproducts.com). Do not return to the retailer.

# Weight Capacity



Tall Display Cabinet  
Max 120 lbs.

# Countertops

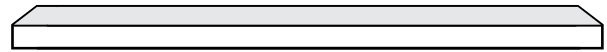
(for Base cabinets only.)



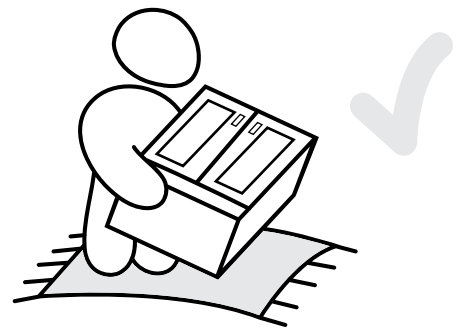
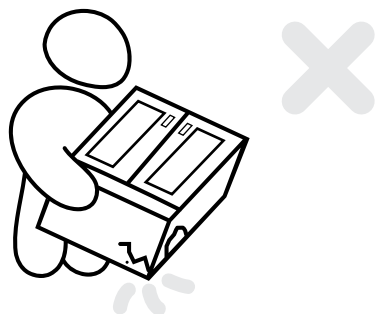
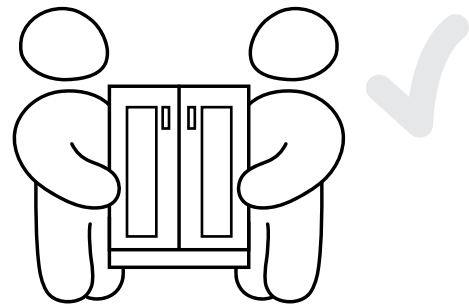
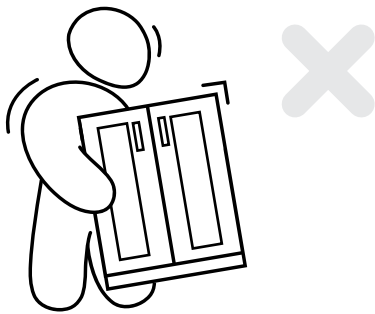
42" Countertop. Fits over 2 Cabinets



63" Countertop. Fits over 3 Cabinets



84" Countertop. Fits over 4 Cabinets

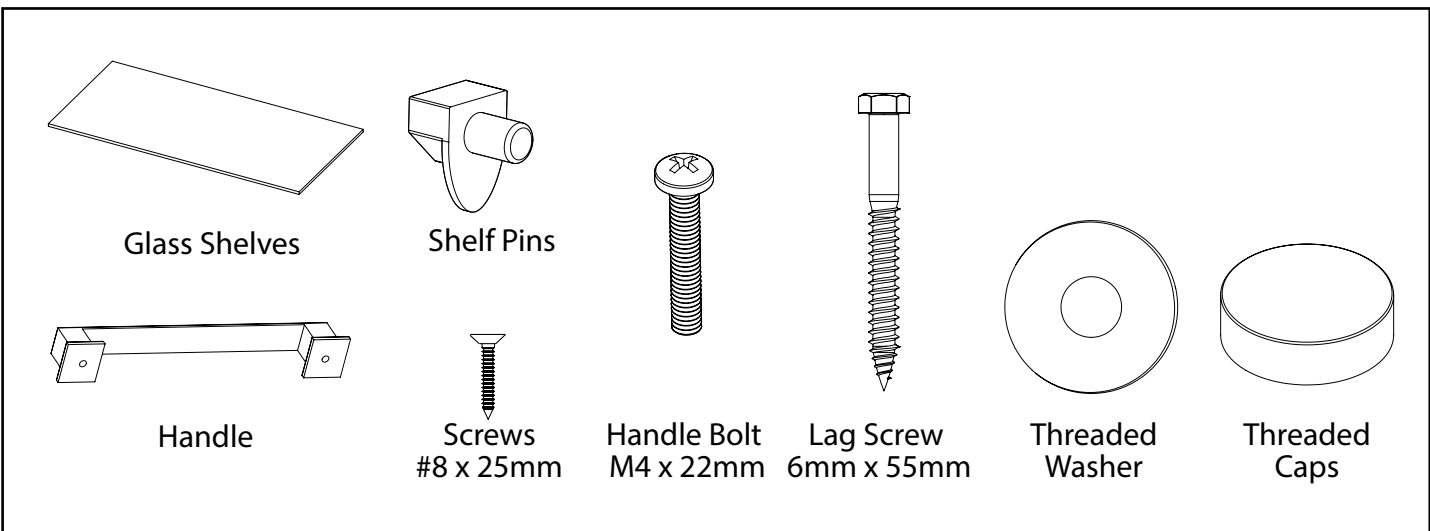




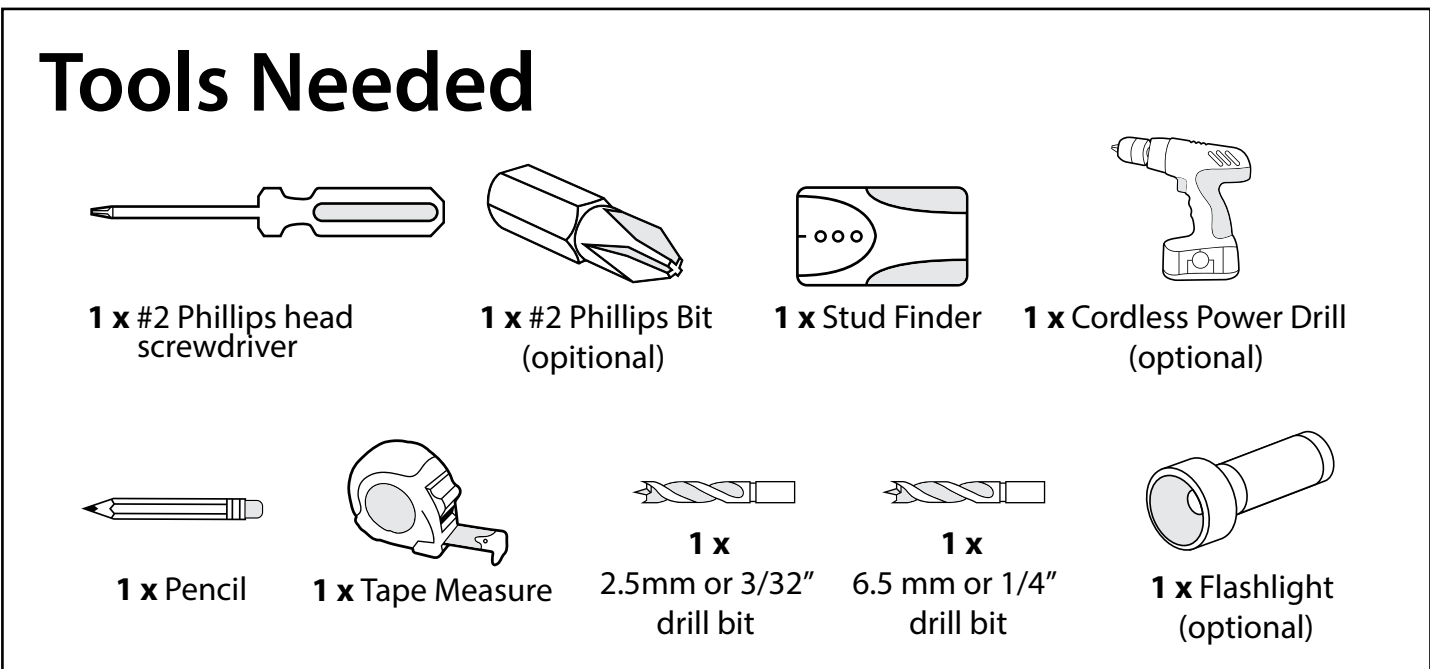
# Unpacking

- Begin by placing the package on a covered flat surface.
- Remove all cardboard, foam packaging material and clear plastic bags.
- Dispose / recycle all packaging materials.
- Verify all the contents in the box and gather the required tools.
- See "Parts" and "Tools Needed" in the list below.

Parts Supplied	Tall Wall Display Cabinet
Threaded Caps	4
Threaded Washer	4
Handles	2
Handle Bolts ( M4 x 22mm)	4
#8 x 25mm Screws	4
Lag Screw ( 6 mm x 55 mm)	4
Glass Shelves	3
Shelf Pins	14



# Tools Needed

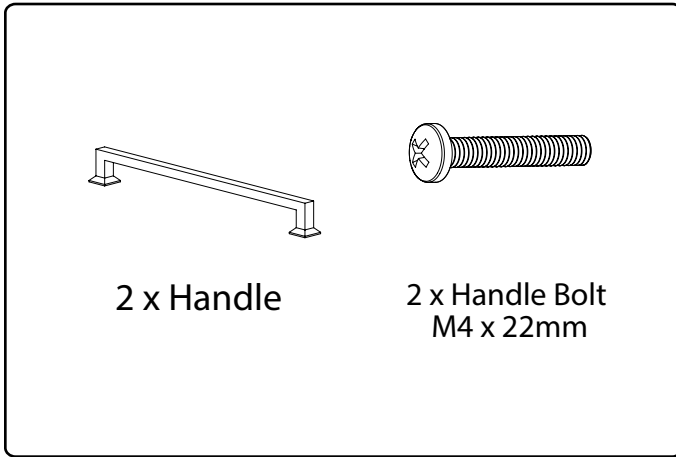


# Installing the Handles

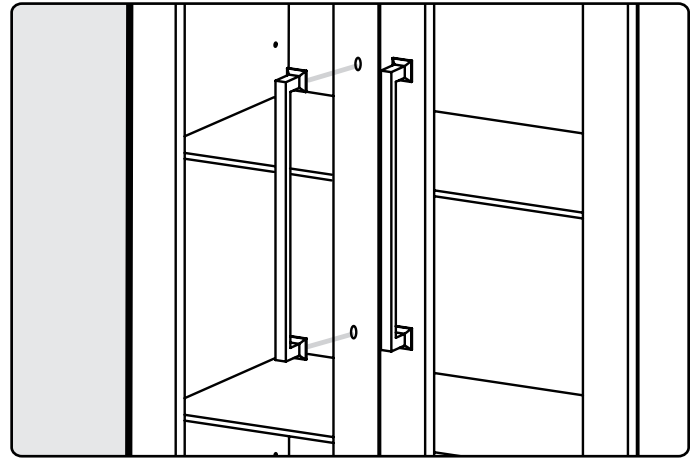
## Note:

Cabinets come with handles installed on inside of drawers/doors.

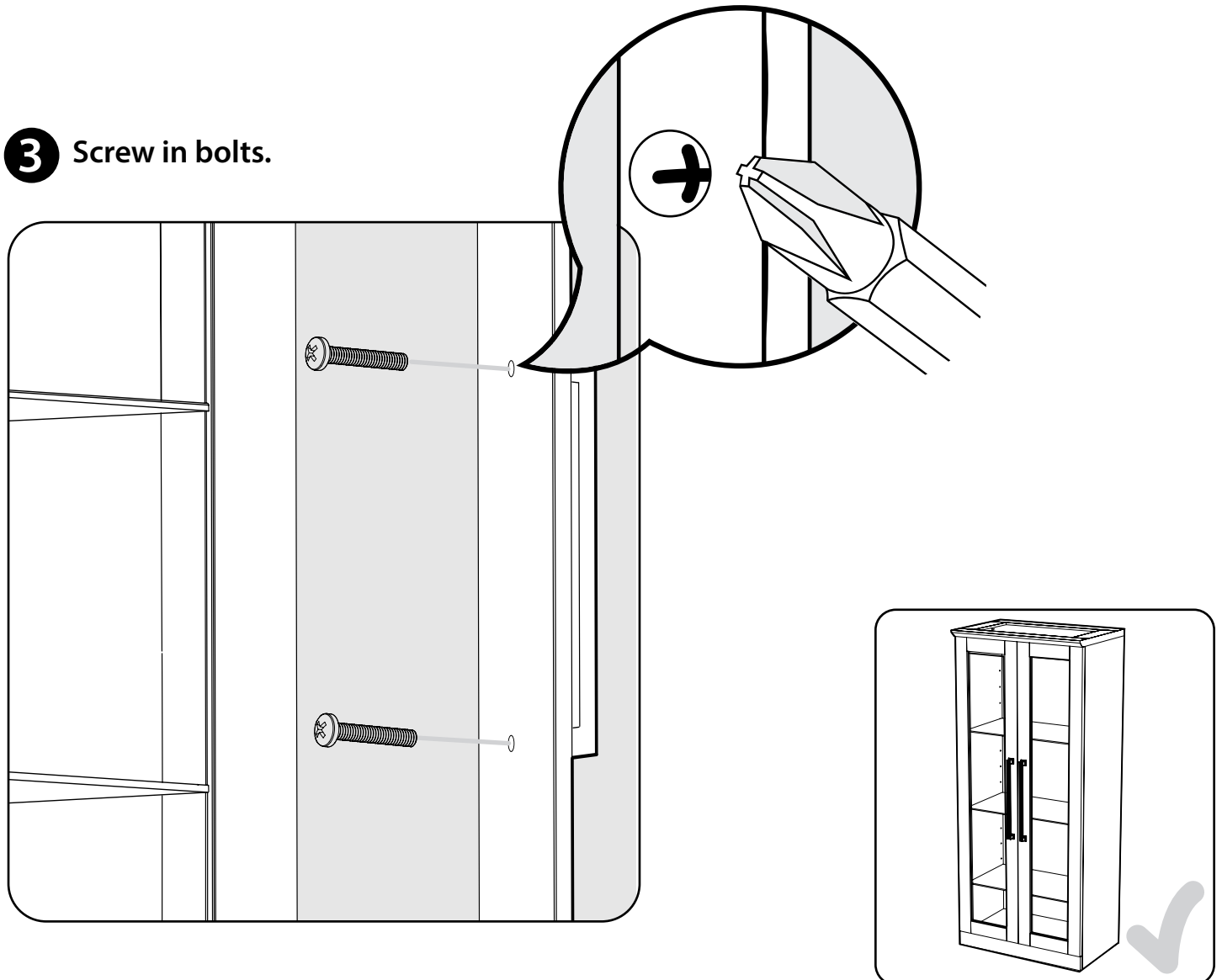
## 1 Parts Needed.



## 2 Align handle to holes on doors or drawers.

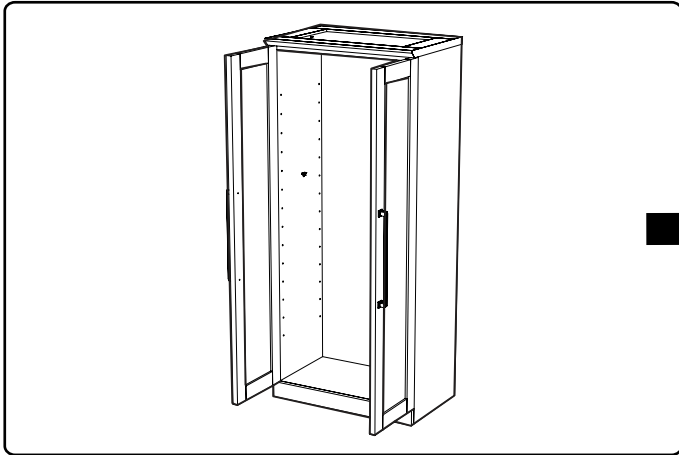


## 3 Screw in bolts.

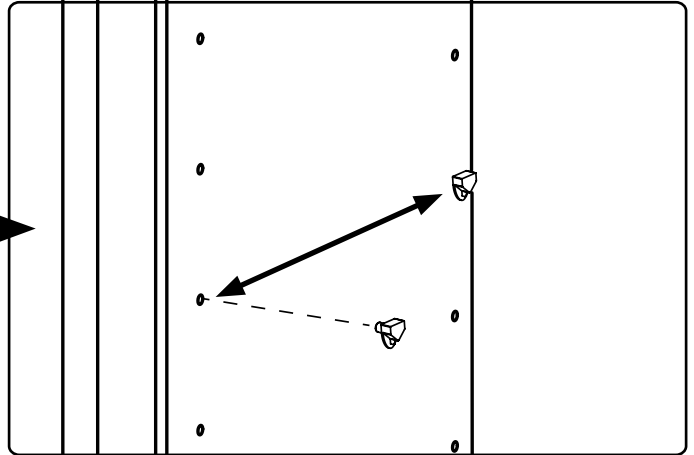


# Inserting Glass Shelves

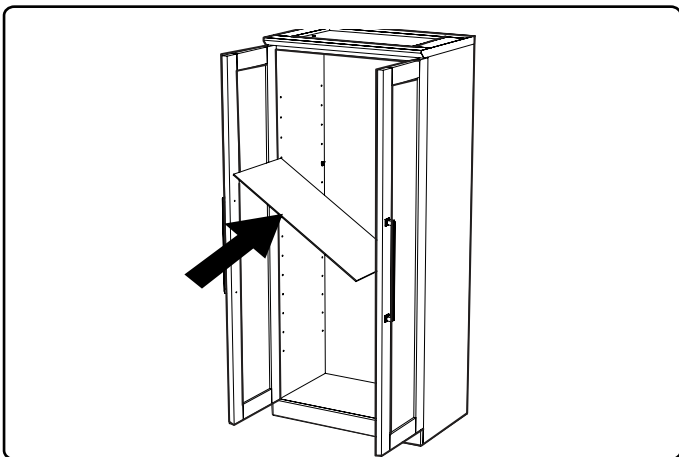
**1** Open cabinet doors. Attach shelf clips to desired height.



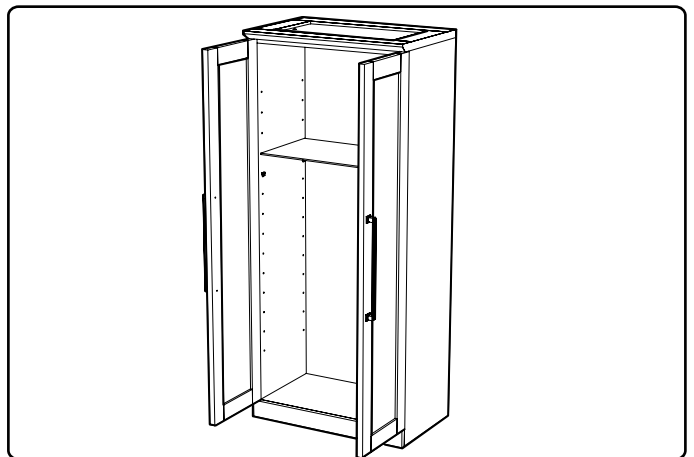
**2** Ensure clips are at level height.



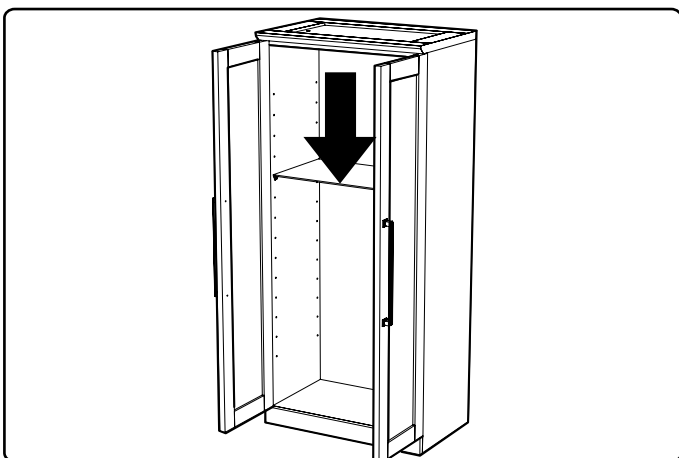
**3** Insert glass shelf at a slight angle.



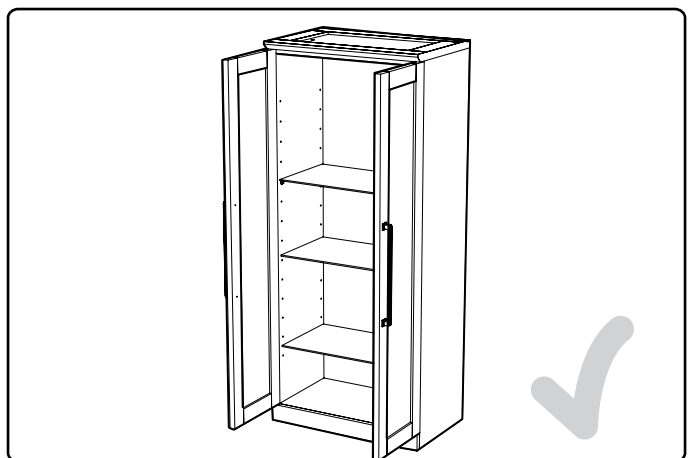
**4** Position over shelf supports.



**5** Lower shelf down onto shelf supports.

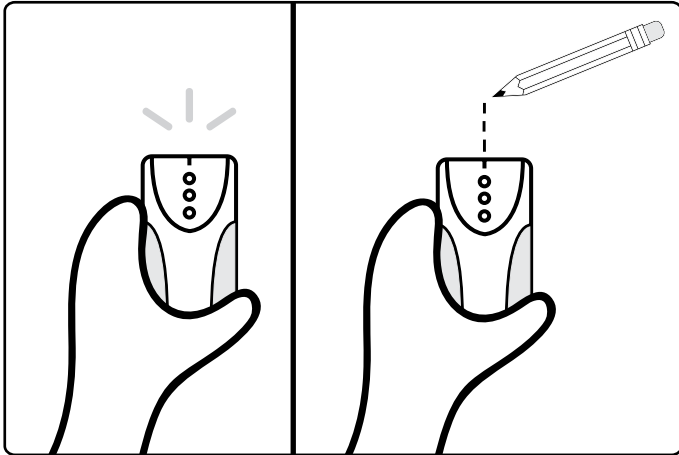


**6** Repeat steps 1-4 for all shelves.

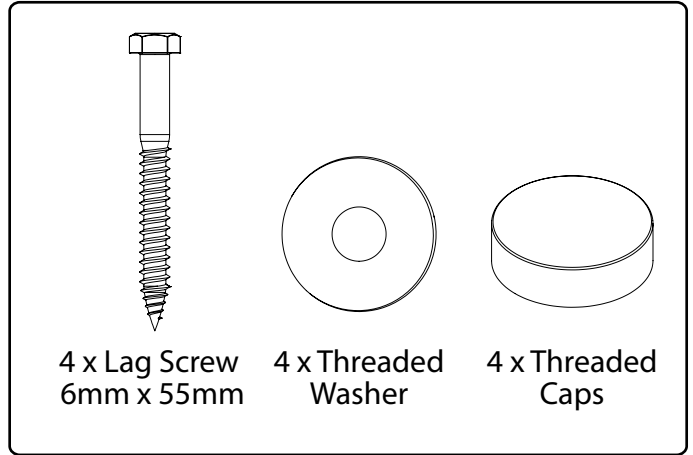


# Mounting Cabinets

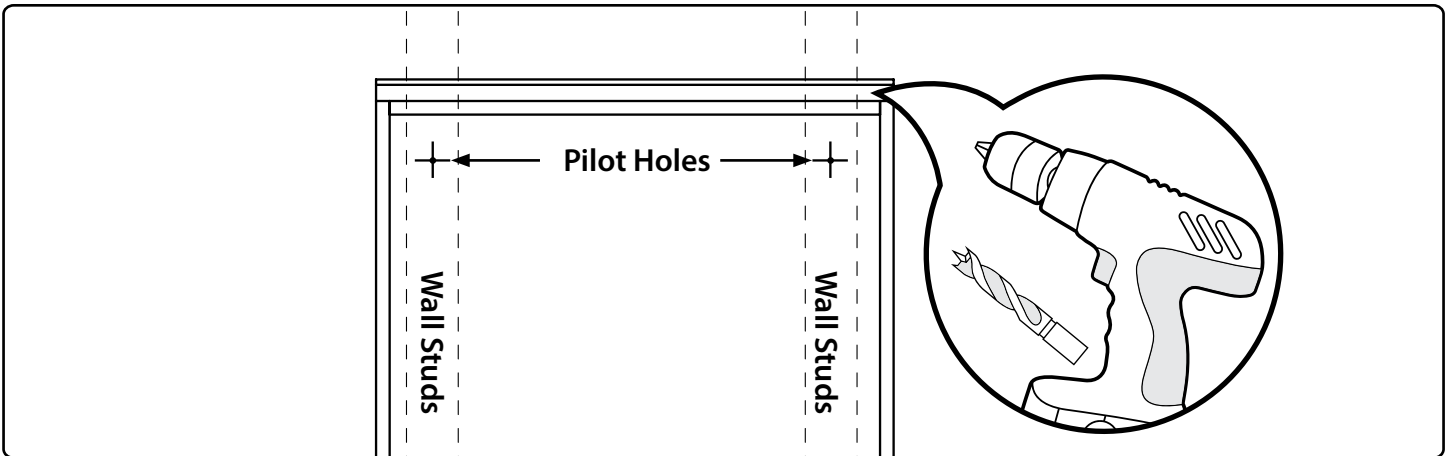
**7** Use stud finder to locate the studs and mark the wall with a pencil.



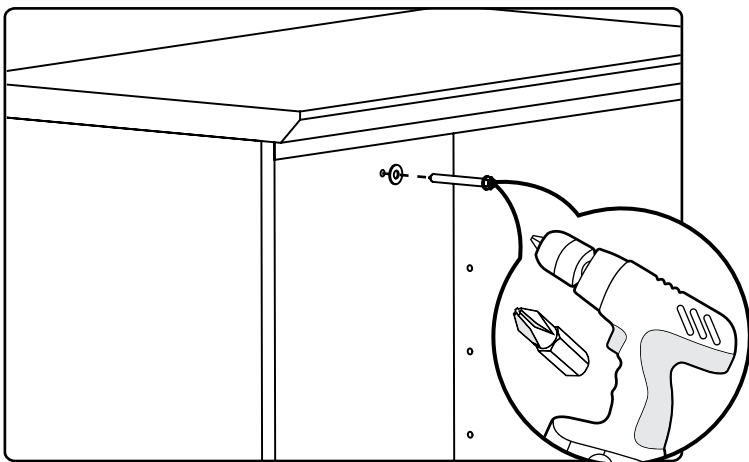
**8** Gather parts.



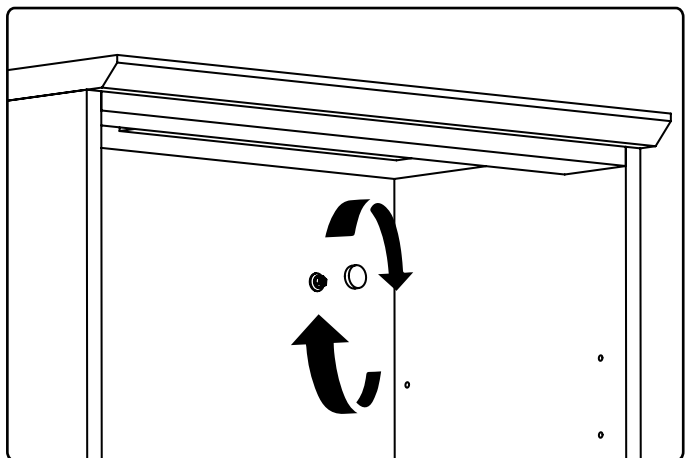
**9** Near the top of the cabinet, drill 1/4" holes through the back of the cabinet that are in line with marked studs. Repeat for drilling two holes near the bottom of the cabinet.



**10** Place cabinet flush against wall and attach using screws and washers.



**11** Use threaded caps to cover screws.

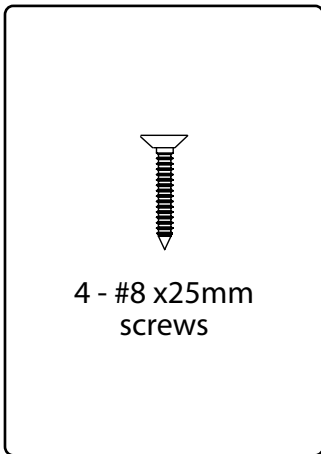


# Fastening Cabinets

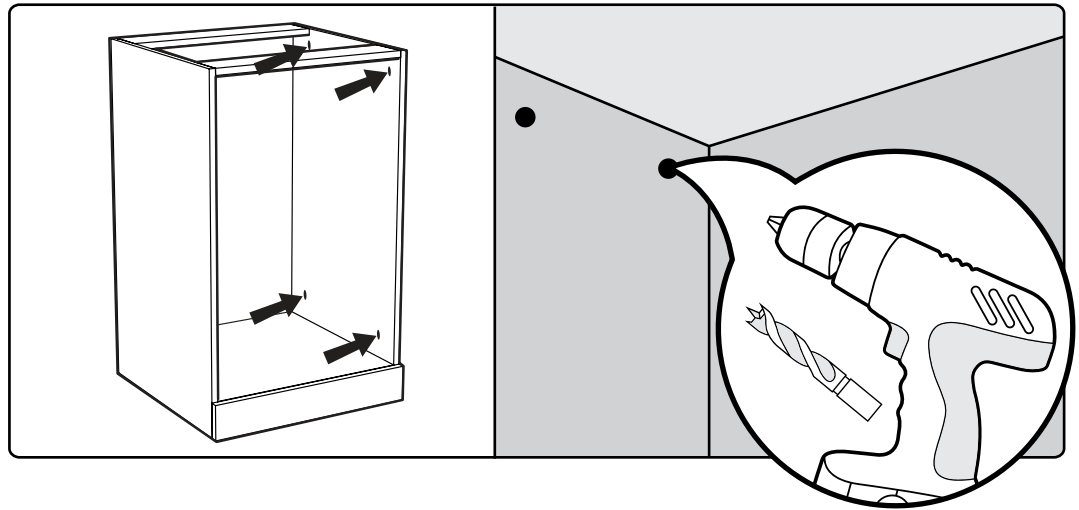
## Note:

All shelves must be removed prior to fastening cabinets together.

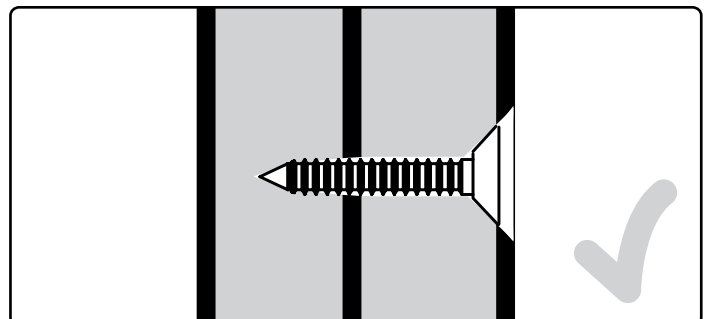
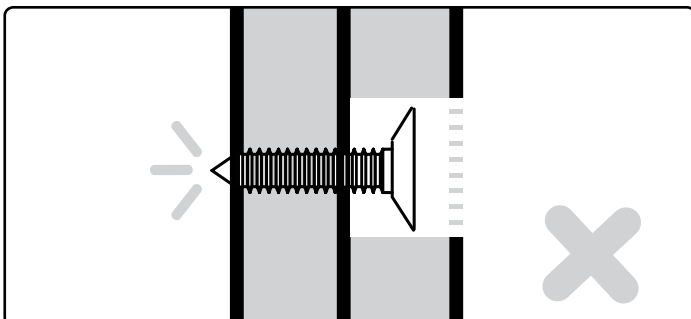
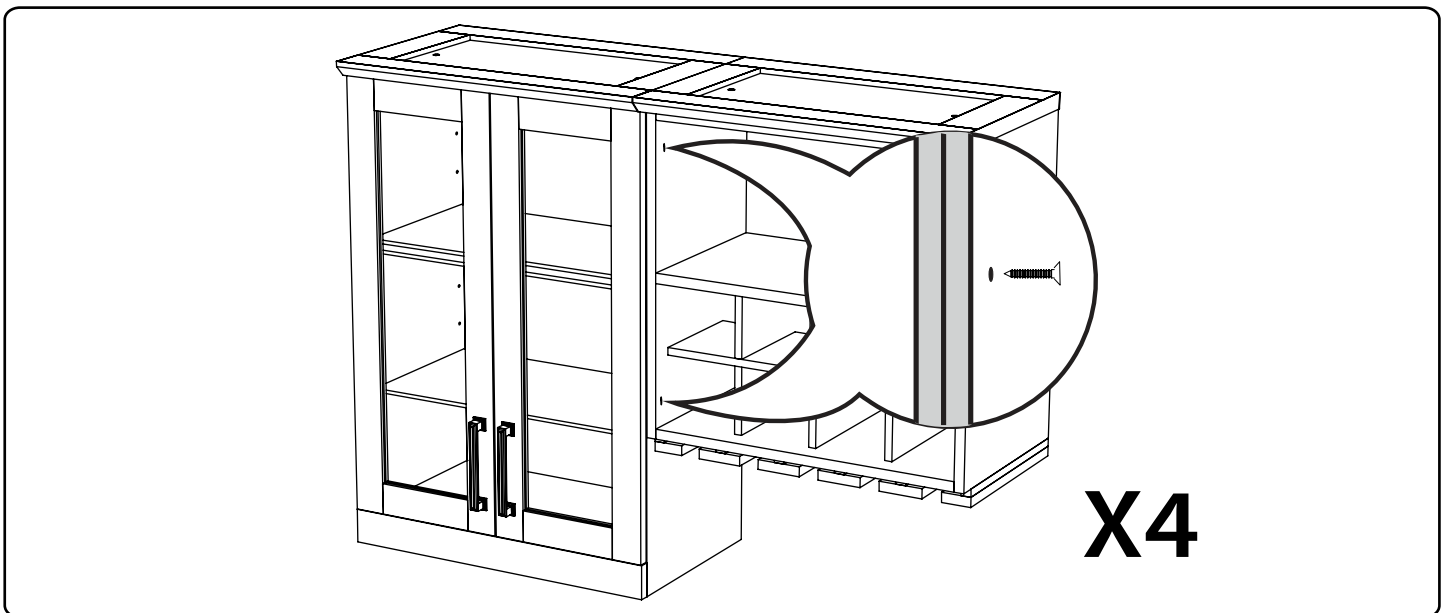
### 12 Parts Needed.

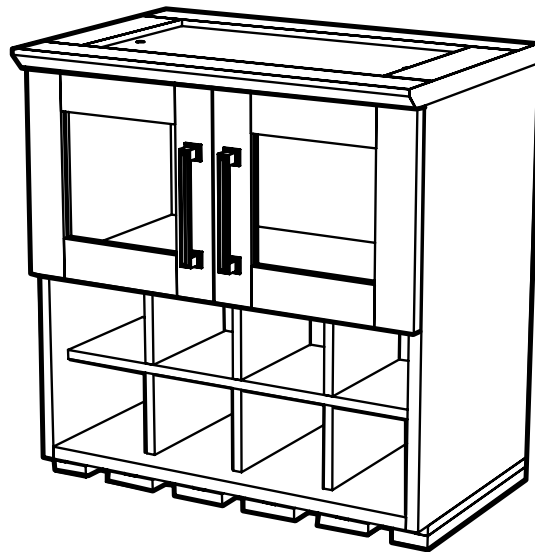


### 13 Drill 3/32" pilot holes on interior wall of cabinet being fastened.



### 14 Using pilot hole as guides, screw into second cabinet. Do Not Over-tighten screws and Punch through other side!





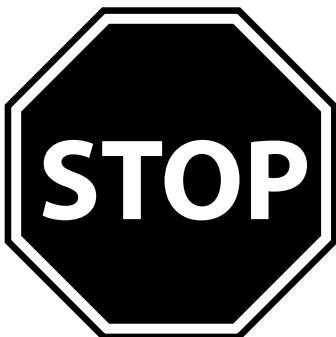
# HOME BAR SERIES

## 21" WALL WINE RACK



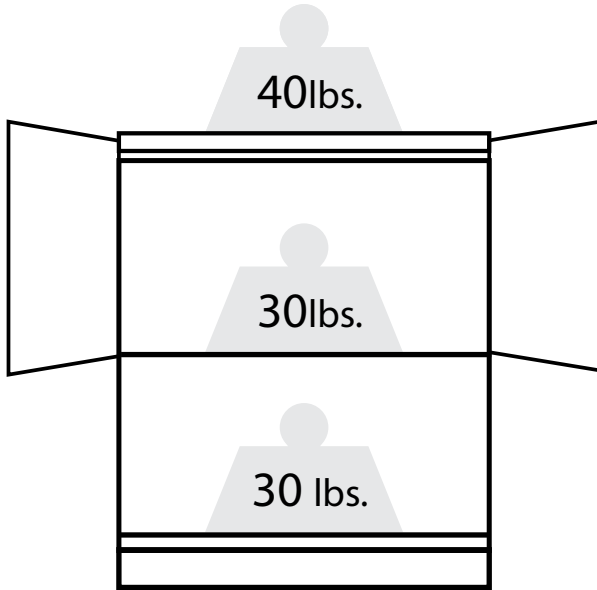
### **Warning: Excessive weight hazard!**

Use two or more people to move, assemble, or install cabinets to avoid back injury. Do not leave children unattended near cabinets. High risk of tipping if cabinets are installed incorrectly: securely attach cabinets to the wall to avoid serious injury. For assistance, call 1.877.306.8930; for U.K 0800.031.4069; e-mail at [info@newageproducts.com](mailto:info@newageproducts.com).



**ATTENTION:** Is your cabinet damaged? Need help or spare parts? For fastest service, contact NewAge Products at 1-877-306-8930; or [support@newageproducts.com](mailto:support@newageproducts.com). Do not return to the retailer.

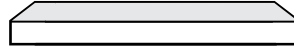
# Weight Capacity



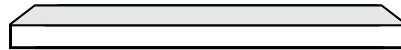
Wall  
Wine Rack  
Max 100 lbs.

# Countertops

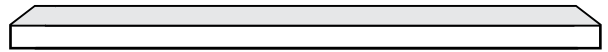
(for Base cabinets only.)



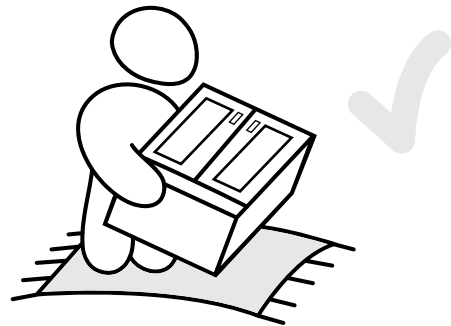
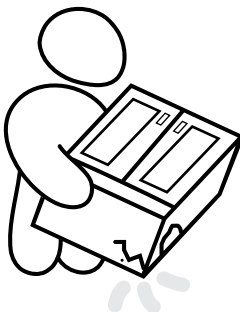
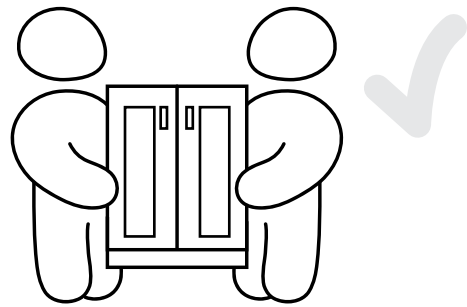
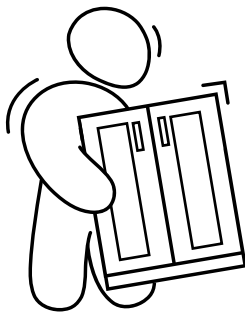
42" Countertop. Fits over 2 Cabinets



63" Countertop. Fits over 3 Cabinet



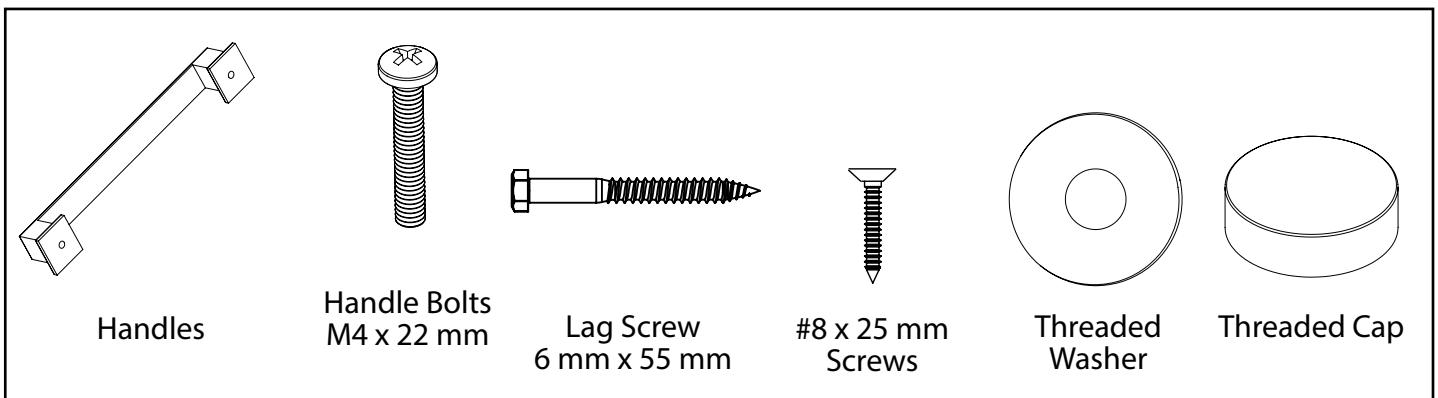
84" Countertop. Fits over 4 Cabinet



# Unpacking

- Begin by placing the package on a covered flat surface.
- Remove all cardboard, foam packaging material and clear plastic bags.
- Dispose / recycle all packaging materials.
- Verify all the contents in the box and gather the required tools. See "Parts" and "Tools Needed" in the list below.

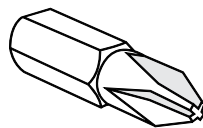
Parts Supplied	Wall Rack Cabinet
Threaded Caps	4
Threaded Washer	4
Handles	2
Handle Bolts ( M4 x 22mm)	4
#8 x 25mm Screws	4
Lag Screw ( 6 mm x 55 mm)	4



## Tools Needed



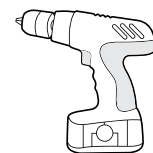
1 x #2 Phillips head screwdriver



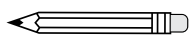
1 x #2 Phillips Bit (optional)



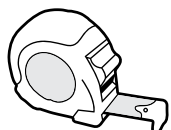
1 x Stud Finder



1 x Cordless Power Drill (optional)



1 x Pencil



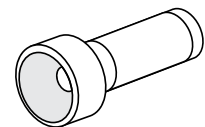
1 x Tape Measure



1 x  
2.5mm or 3/32"  
drill bit



1 x  
6.5 mm or 1/4"  
drill bit



1 x Flashlight (optional)

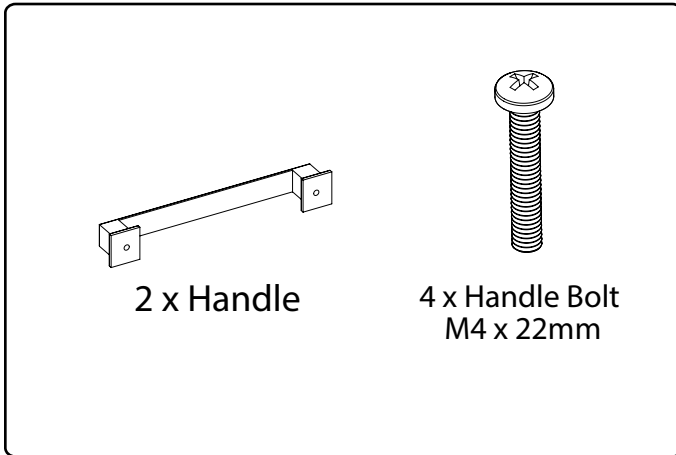


# Installing the Handles

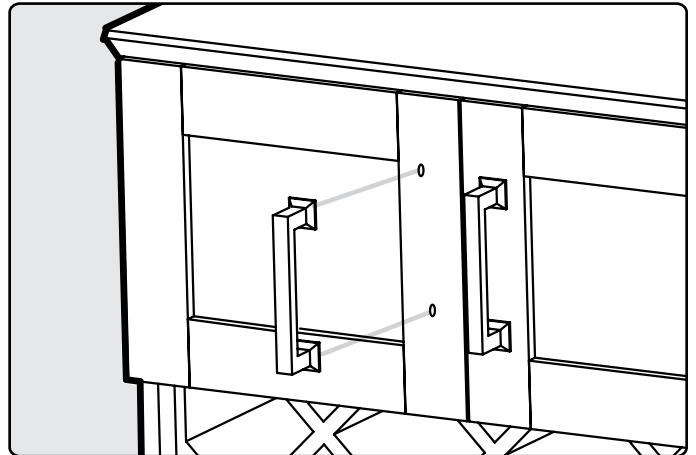
## Note:

Cabinets come with handles installed on inside of drawers/doors.

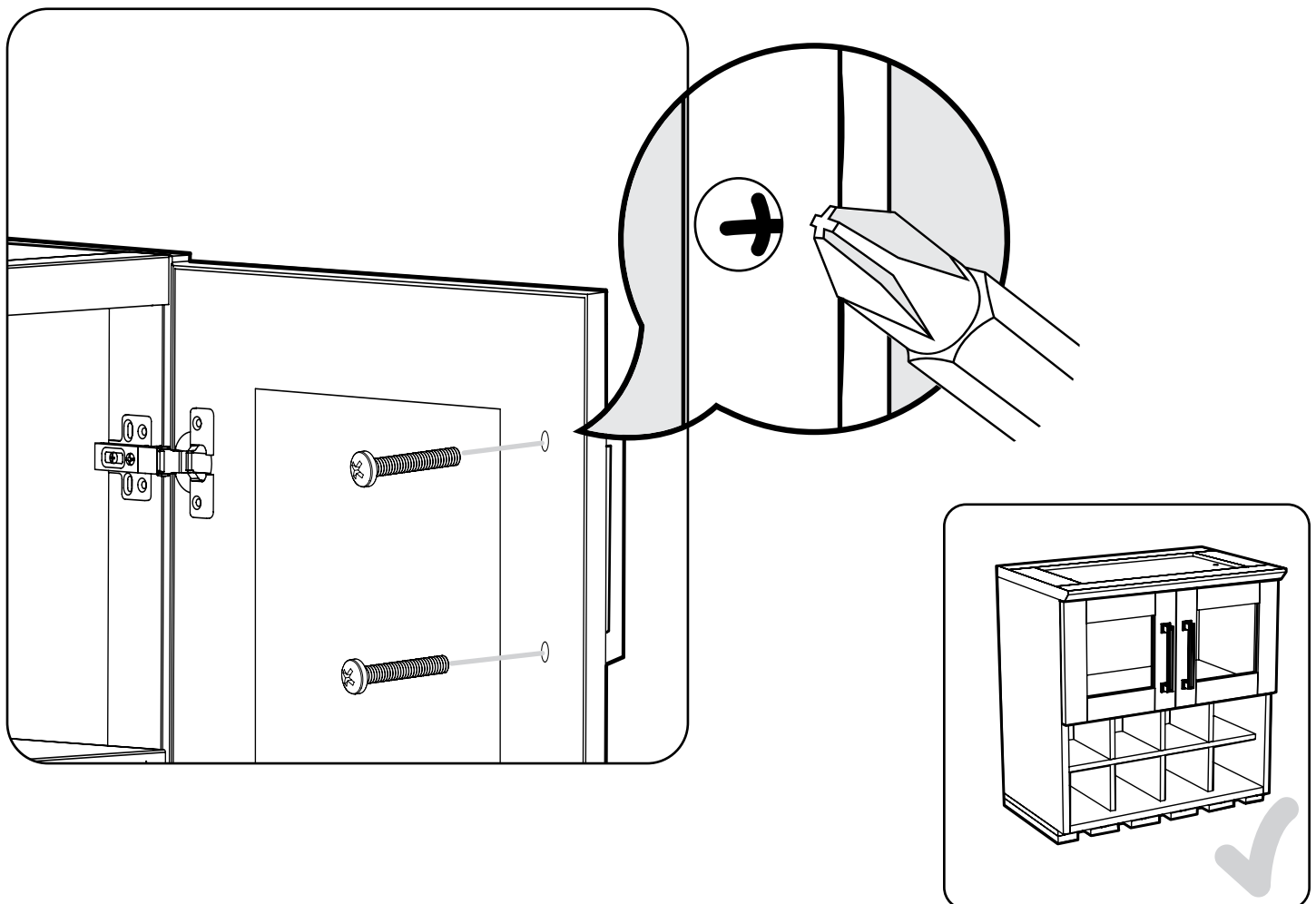
## 1 Parts Needed.



## 2 Align handle to holes on doors or drawers.



## 3 Screw in M4 x 22mm bolts.

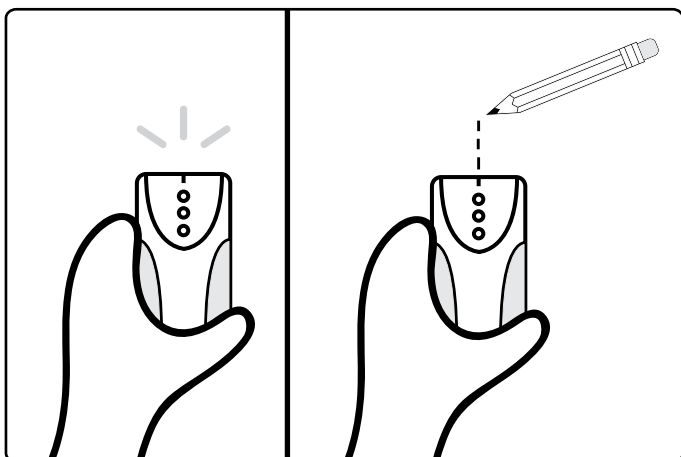


# Mounting Cabinets

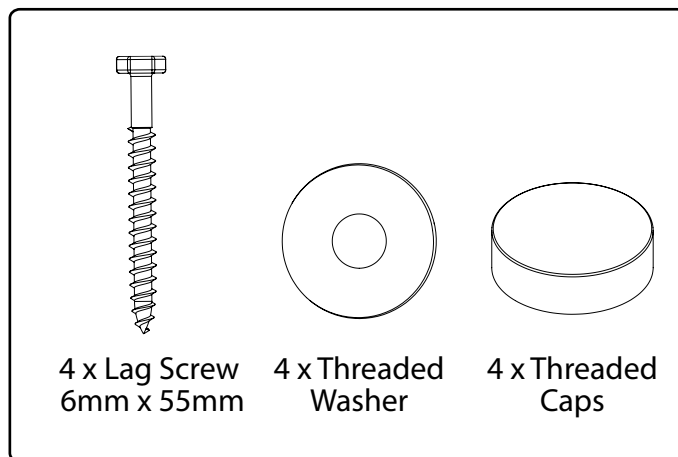
## Note:

Remove wine rack to make attaching cabinets easier.

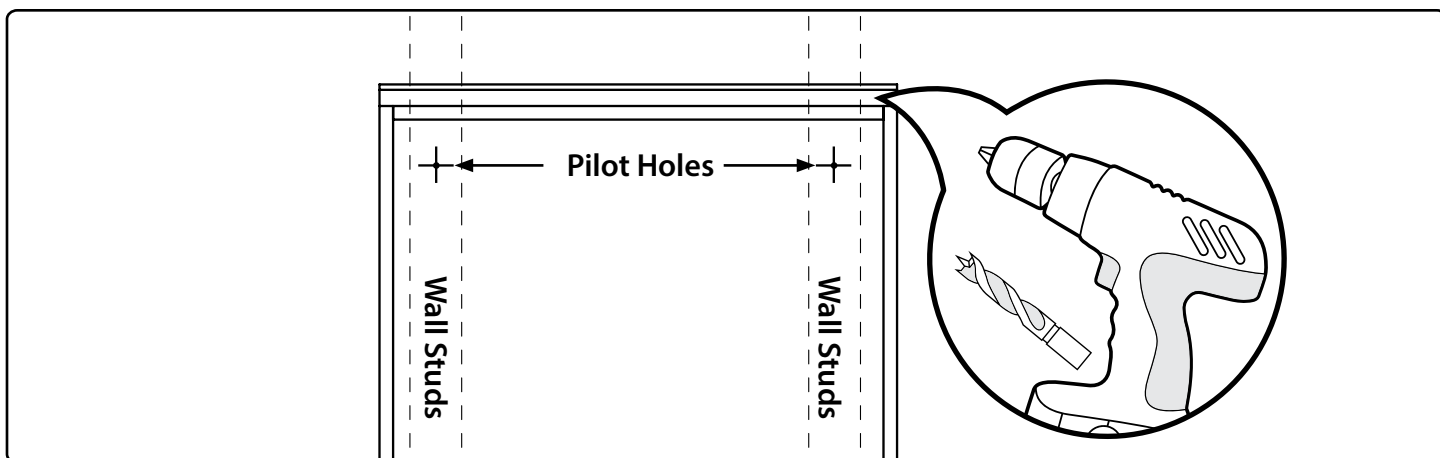
- 4** Use stud finder to locate the studs and mark the wall with a pencil.



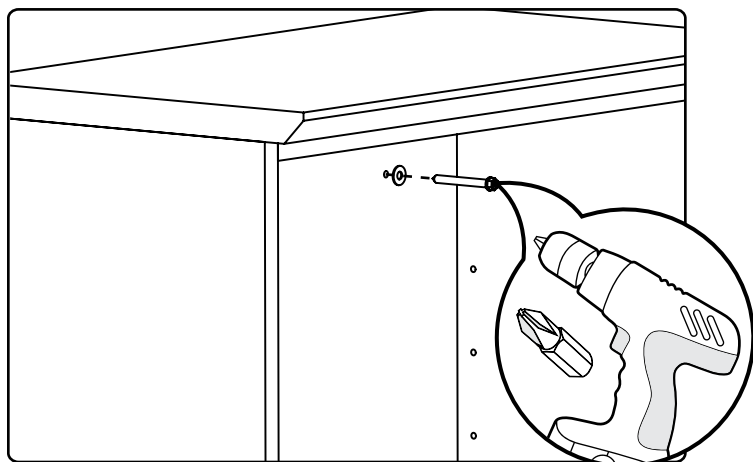
- 5** Gather parts.



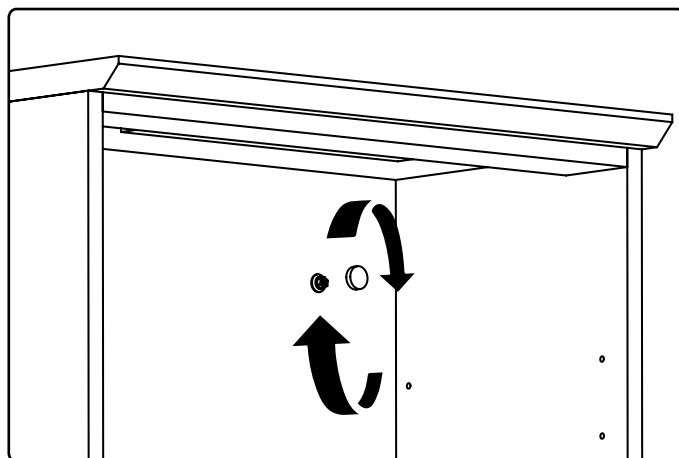
- 6** Near the top of the cabinet, drill 1/4" holes through the back of the cabinet that are in line with marked studs. Repeat for drilling two holes near the bottom of the cabinet.



- 7** Place cabinet flush against wall and attach using screws and washers.



- 8** Use threaded caps to cover screws.

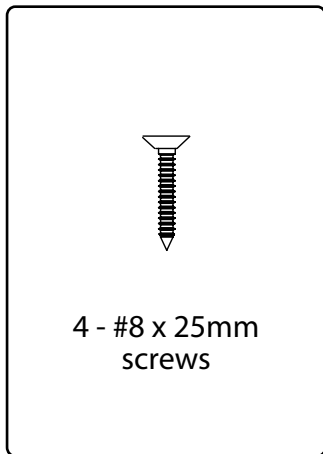


# Fastening Cabinets

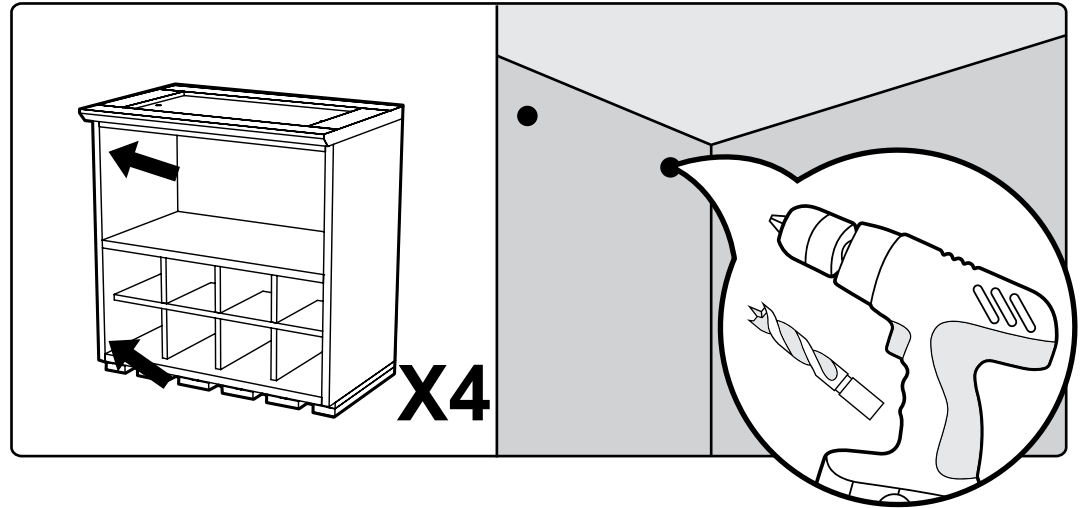
## Note:

Remove wine rack to make attaching cabinets easier.

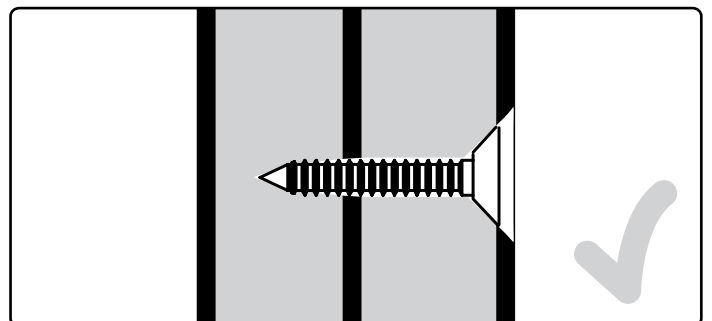
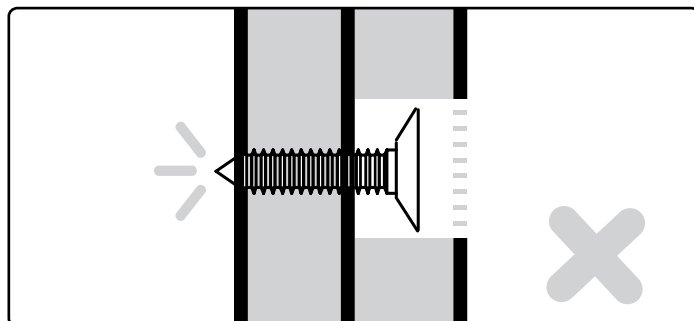
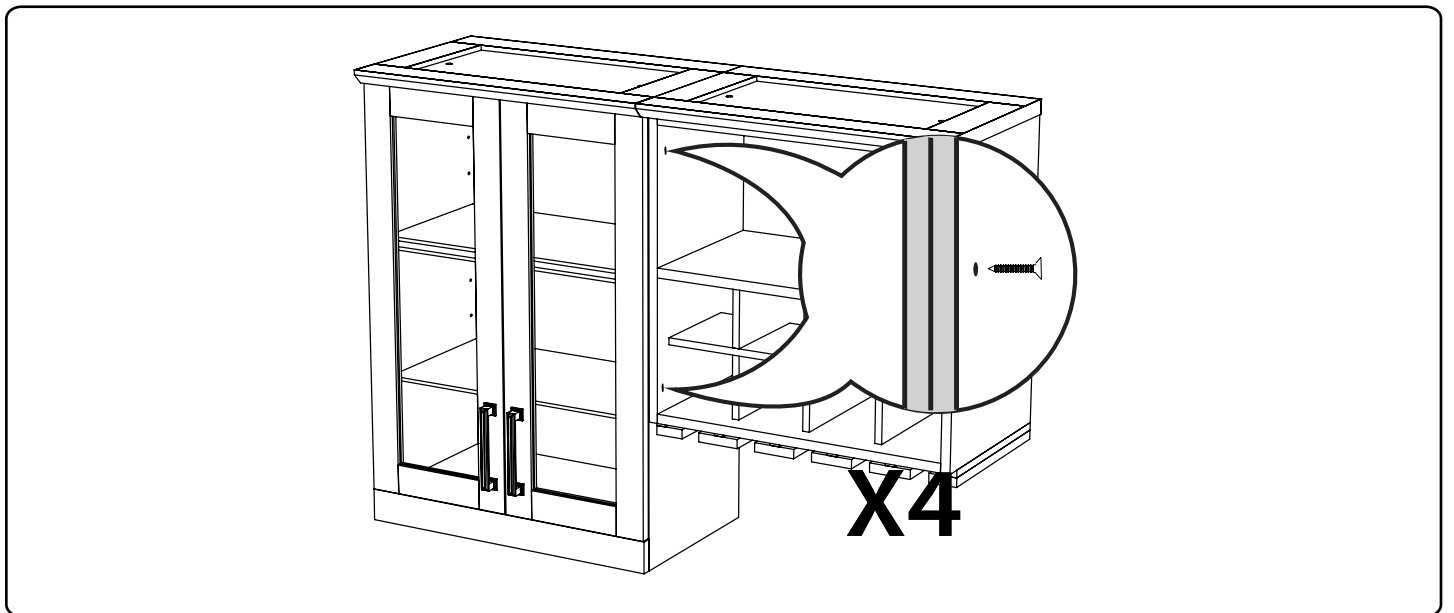
## 9 Parts Needed.



## 10 Drill 3/32" pilot holes on interior wall of cabinet being fastened.

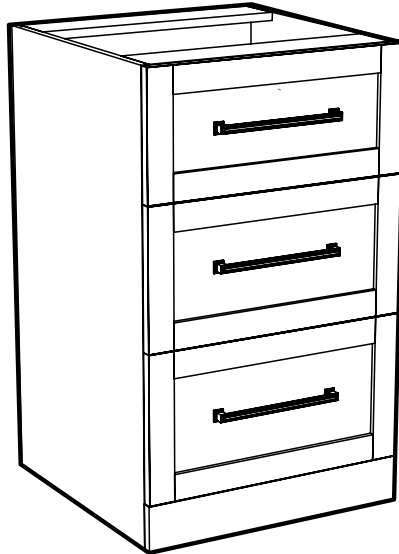


## 11 Using pilot hole as guides, screw into second cabinet. Do Not Over-tighten screws and Punch through other side!





Only open one drawer at a time.  
If this cabinet is installed on its  
own, it must be fastened to a  
permanent structure.



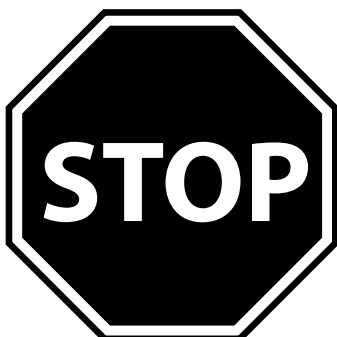
# HOME BAR SERIES

## 21" 3 DRAWER BASE



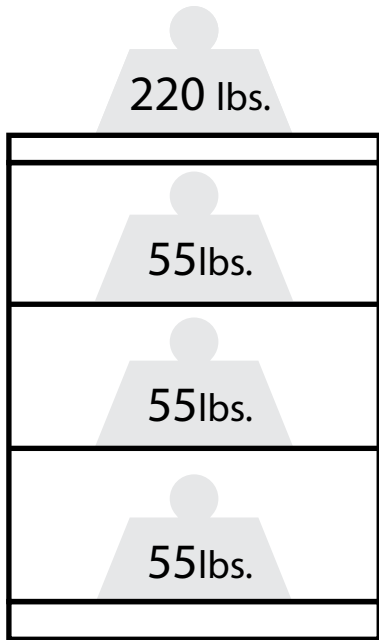
### **Warning: Excessive weight hazard!**

Use two or more people to move, assemble, or install cabinets to avoid back injury. Do not leave children unattended near cabinets. High risk of tipping if cabinets are installed incorrectly: securely attach cabinets to the wall to avoid serious injury. For assistance, call 1.877.306.8930; for U.K 0800.031.4069; e-mail at [info@newageproducts.com](mailto:info@newageproducts.com).



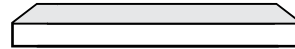
**ATTENTION:** Is your cabinet damaged? Need help or spare parts? For fastest service, contact NewAge Products at 1-877-306-8930; or [support@newageproducts.com](mailto:support@newageproducts.com). Do not return to the retailer.

# Weight Capacity



3 Drawer  
Base Cabinet  
Max 440 lbs.

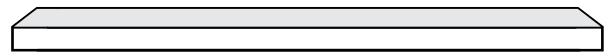
# Countertops



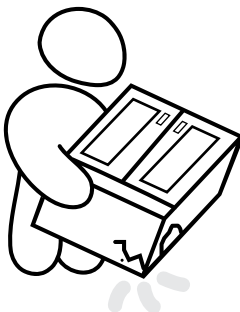
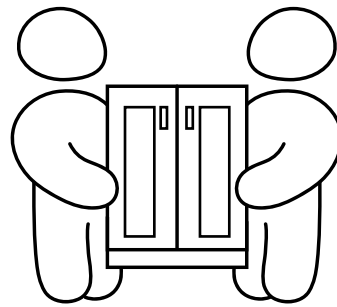
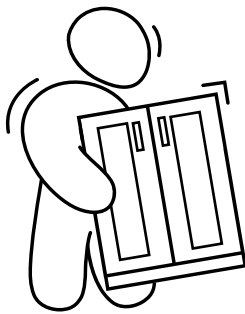
42" Countertop. Fits over 2 Cabinets



63" Countertop. Fits over 3 Cabinet



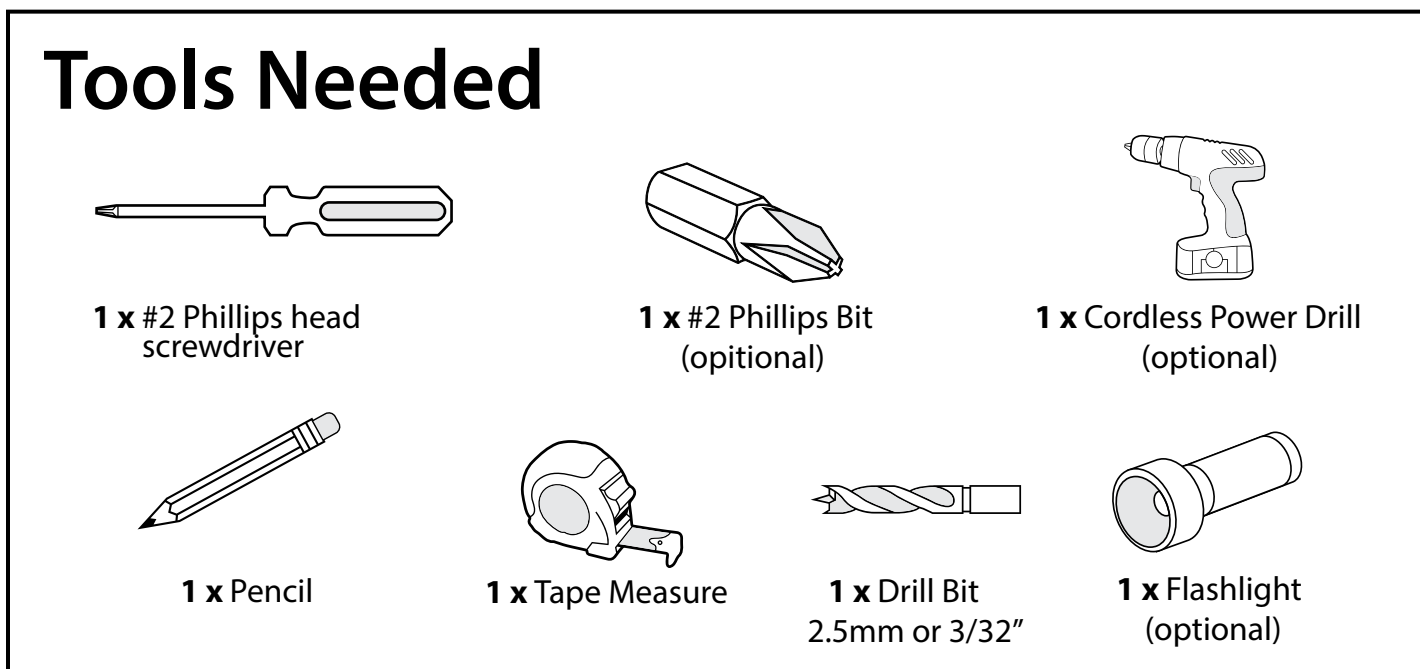
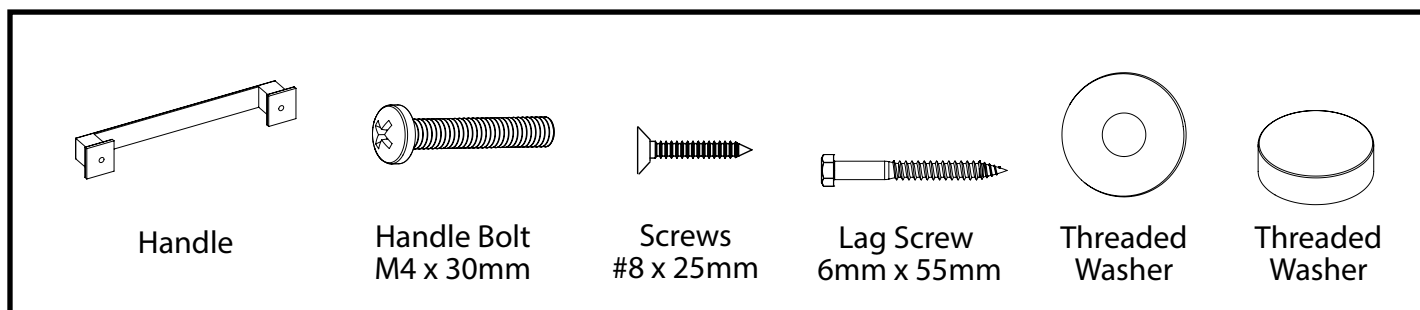
84" Countertop. Fits over 4 Cabinet



# Unpacking

- Begin by placing the package on a covered flat surface.
- Remove all cardboard, foam packaging material and clear plastic bags.
- Dispose / recycle all packaging materials.
- Verify all the contents in the box and gather the required tools. See "Parts" and "Tools Needed" in the list below.

Parts Supplied	3 Drawer Cabinet
Handles	3
Handle Bolts (M4 x30mm)	6
#8 x 25mm Screws	6
Threaded Caps	4
Threaded Washer	4
Lag Screw ( 6 mm x 55 mm)	4

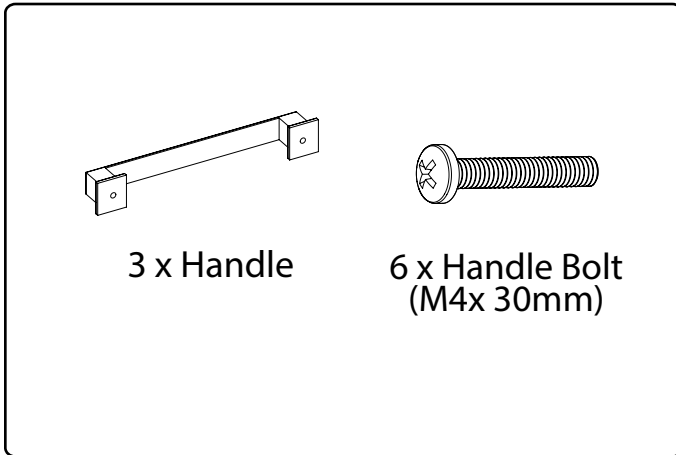


# Installing the Handles

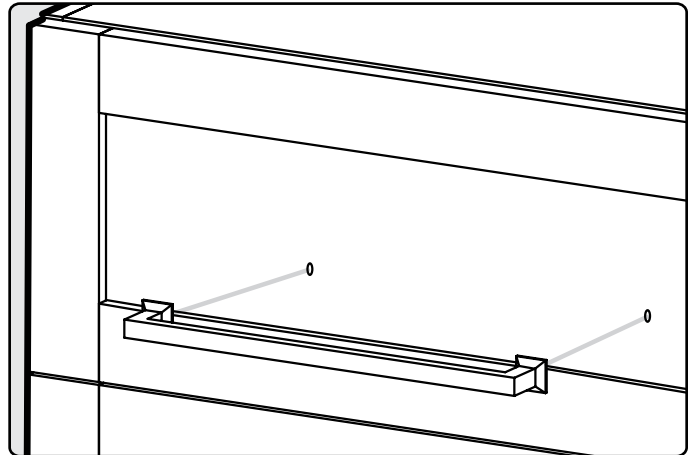
## Note:

Cabinets come with handles installed on inside of drawers/doors.

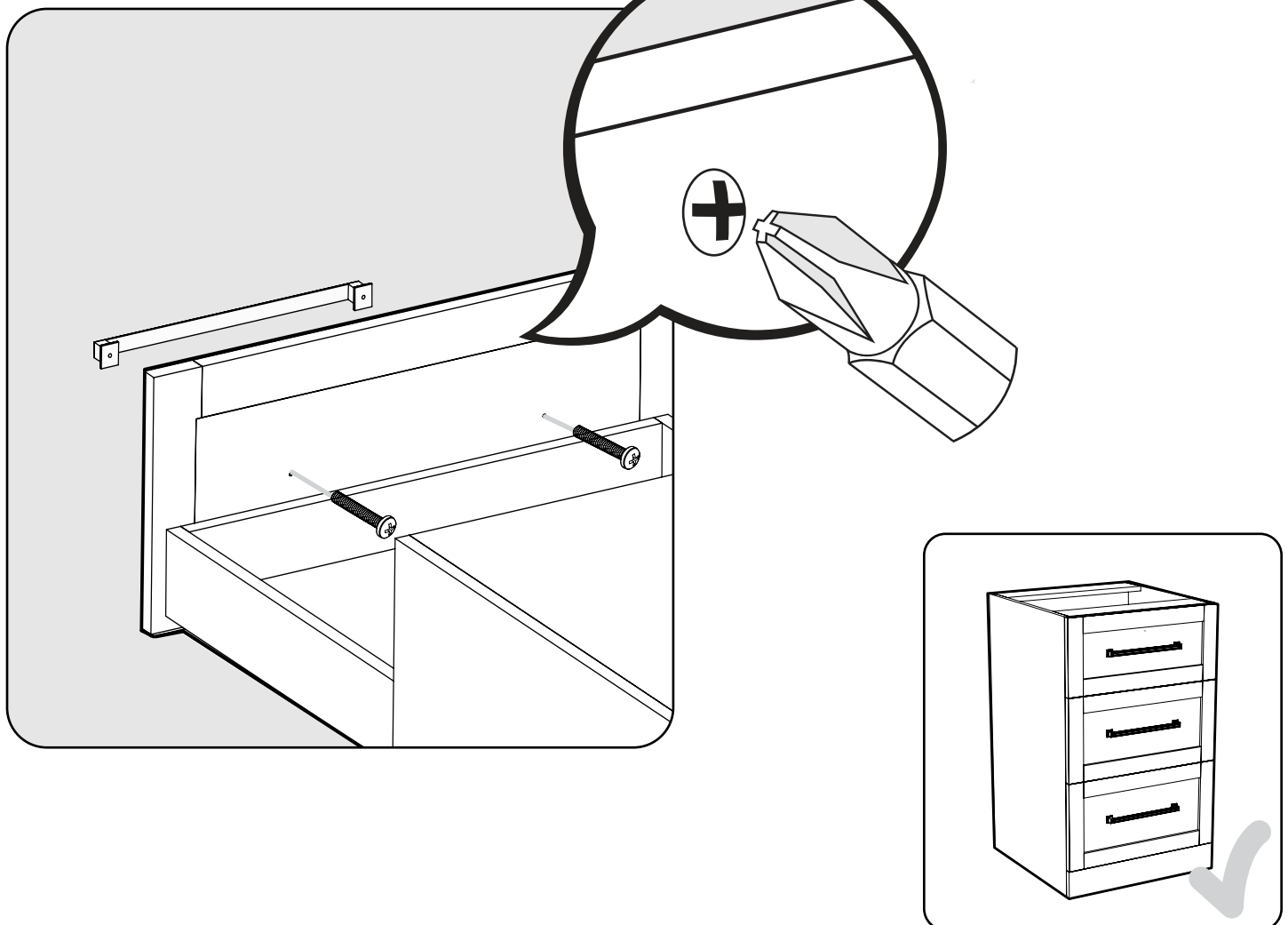
## 1 Parts Needed.



## 2 Align handle to holes on doors or drawers.

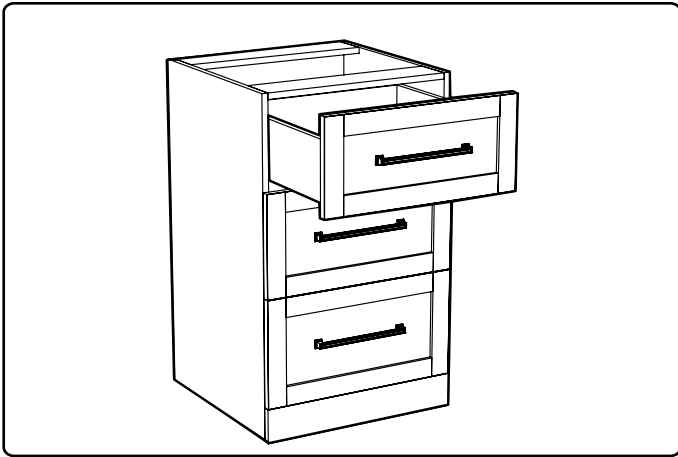


## 3 Screw in bolts.

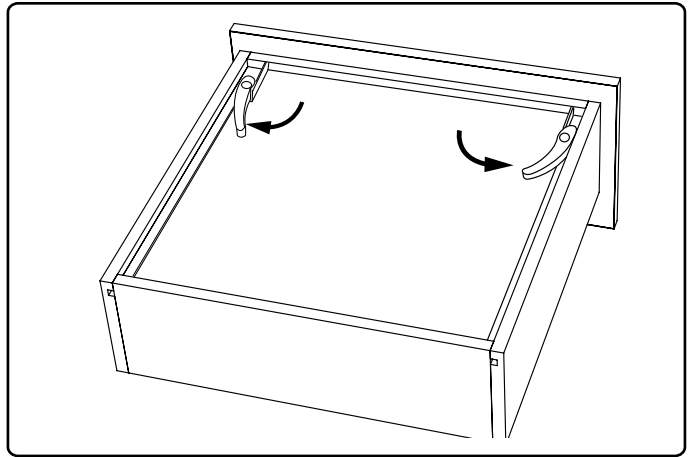


# Removing Drawer

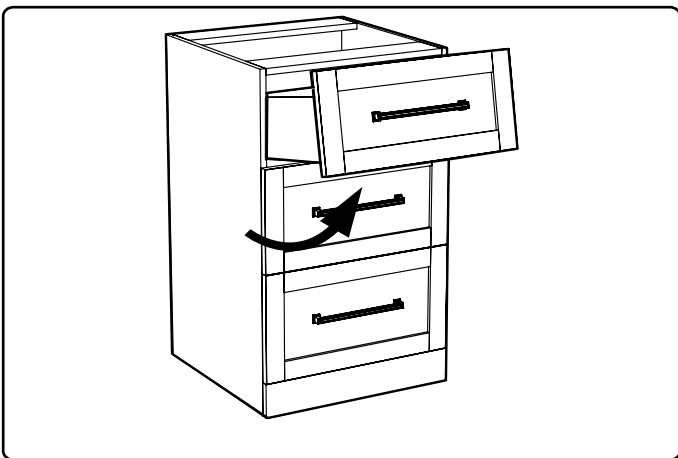
**4** Extend drawer fully.



**5** Press plastic triggers on underside of drawer according to arrows in image.

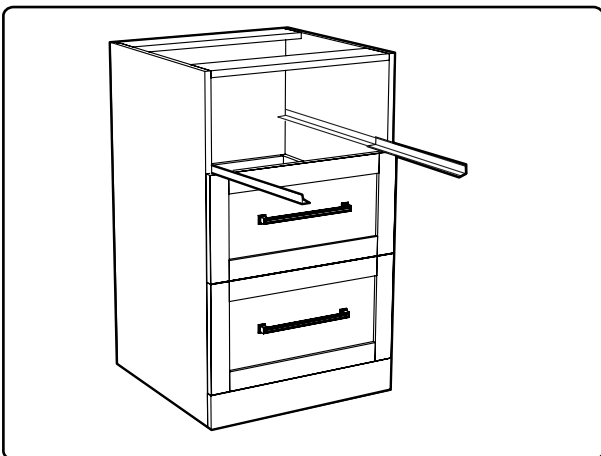


**6** Tilt and remove shelf rack.

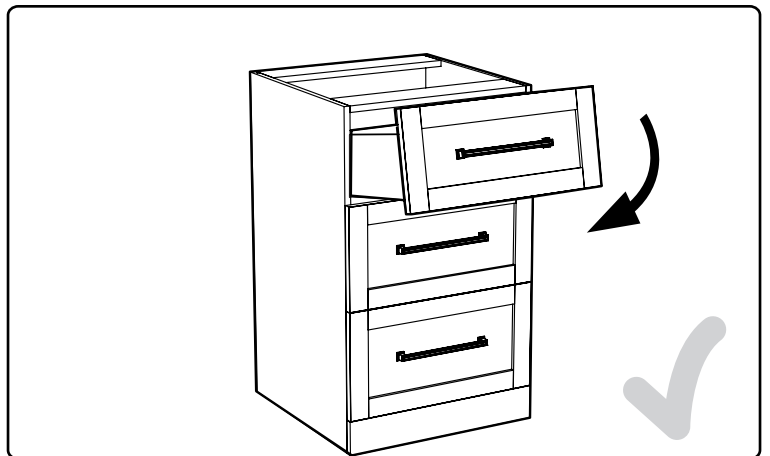


# Inserting Drawer

**7** Partially extend drawer slides.



**8** Put drawer on slides and slide each drawer slide forward until you hear a click sound.



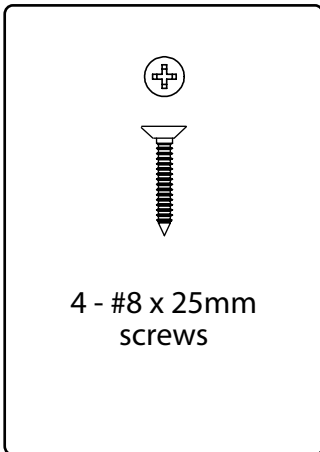


# Fastening Cabinets

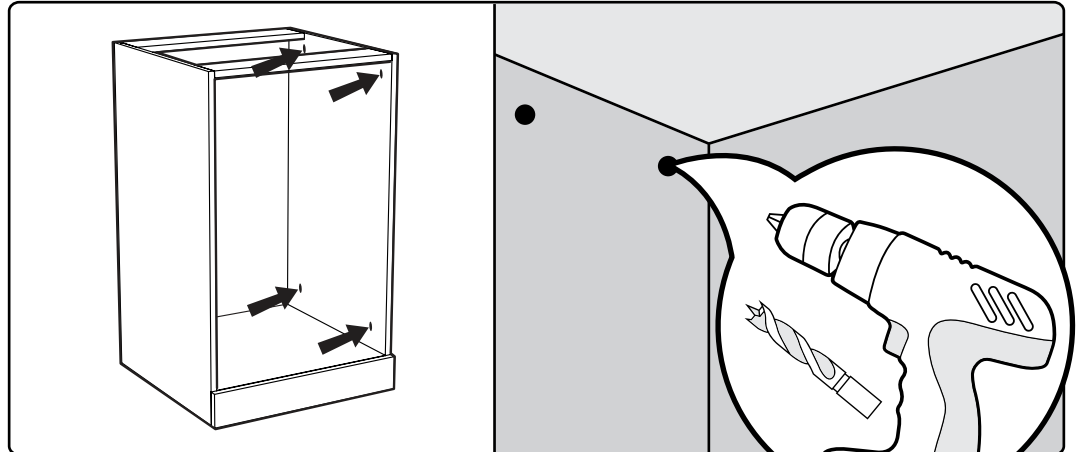
## Note:

All drawers must be removed prior to fastening cabinets together.

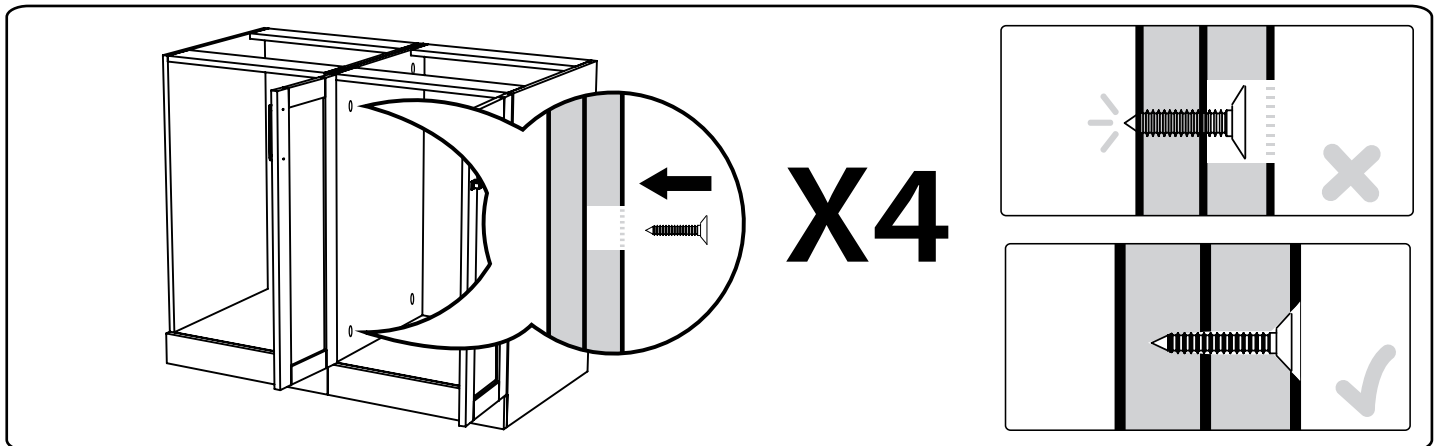
**9** Parts Needed.



**10** Drill 3/32" pilot holes on interior wall of cabinet being fastened.

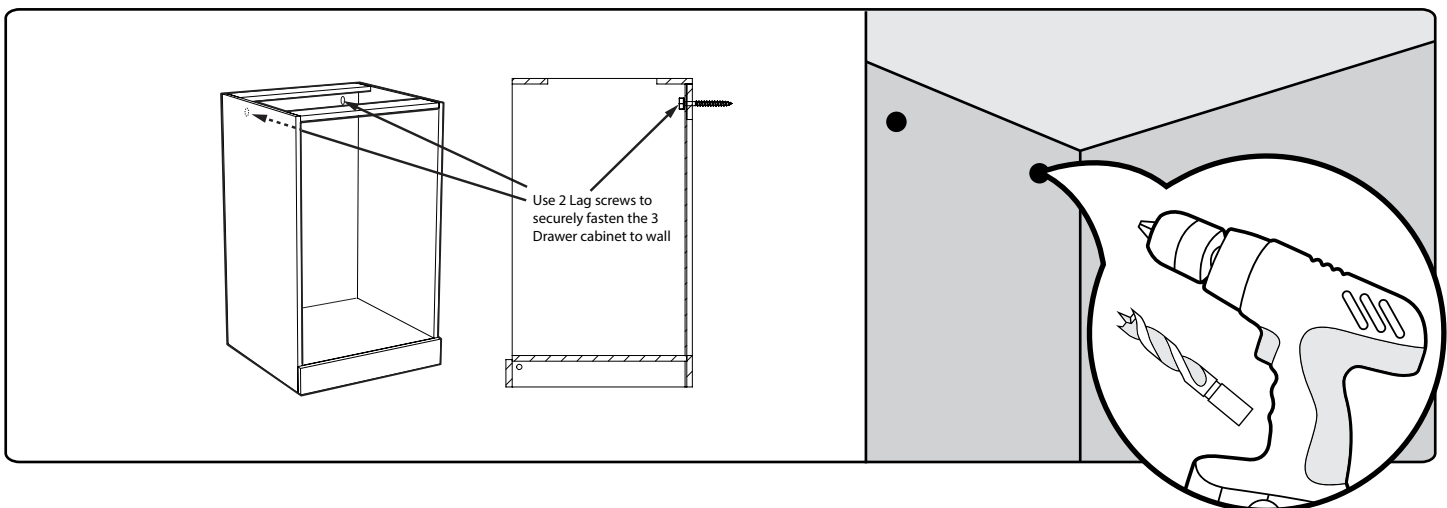


**11** Using pilot hole as guides, screw into second cabinet. Do not over-tighten screws and punch through other side!



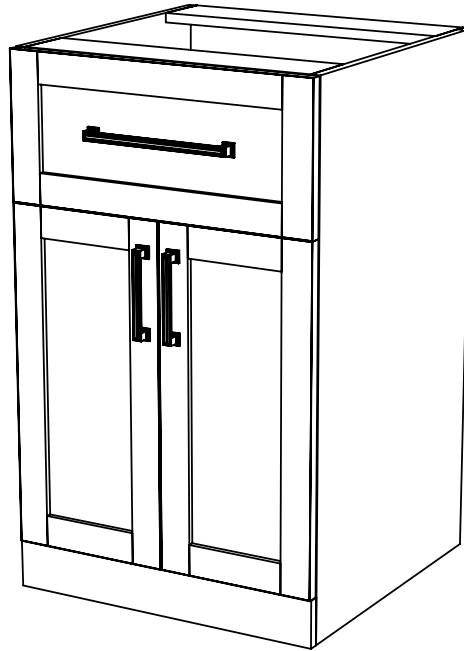
# Securing Cabinet to Wall to prevent tipping

**12** To securely fasten the cabinet to the wall, drill 1/4" pilot holes on back inside wall of cabinet. Use 2 lag screws to fasten the cabinet to the wall studs.





Only open one drawer at a time.  
If this Cabinet is installed on its own  
please fasten to a permanent structure.



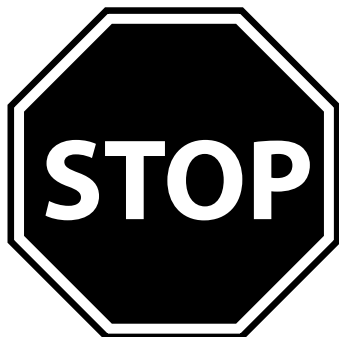
# HOME BAR SERIES

## 21in. SPLIT CABINET



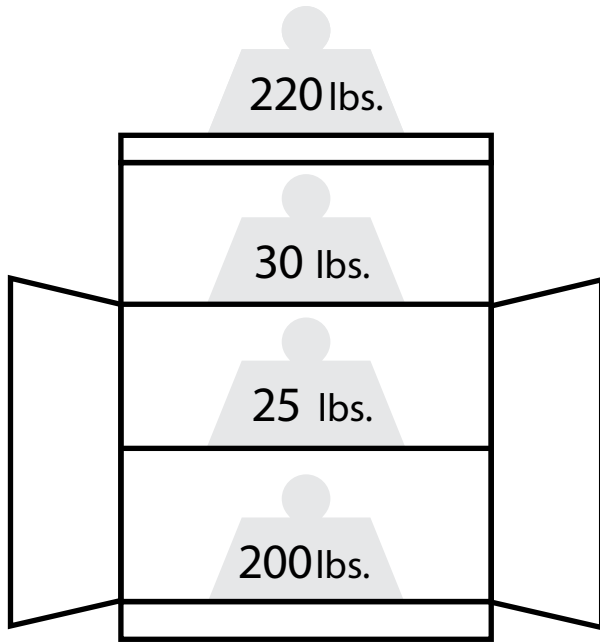
### **Warning: Excessive weight hazard!**

Use two or more people to move, assemble, or install cabinets to avoid back injury. Do not leave children unattended near cabinets. High risk of tipping if cabinets are installed incorrectly: securely attach cabinets to the wall to avoid serious injury. For assistance, call 1.877.306.8930; for U.K 0800.031.4069; e-mail at [info@newageproducts.com](mailto:info@newageproducts.com).



**ATTENTION:** Is your cabinet damaged? Need help or spare parts? For fastest service, contact NewAge Products at 1-877-306-8930; or [support@newageproducts.com](mailto:support@newageproducts.com). Do not return to the retailer.

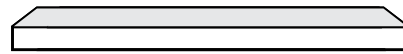
# Weight Capacity



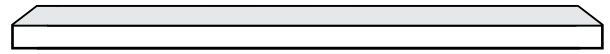
Split  
Base Cabinet  
Max 500 lbs.

# Countertops

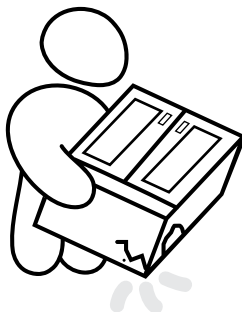
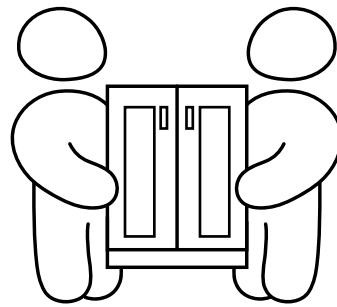
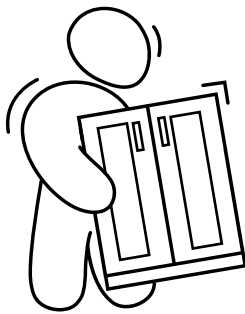
42" Countertop. Fits over 2 Cabinets



63" Countertop. Fits over 3 Cabinets



84" Countertop. Fits over 4 Cabinets



# Unpacking

- Begin by placing the package on a covered flat surface.
- Remove all cardboard, foam packaging material and clear plastic bags.
- Dispose / recycle all packaging materials.
- Verify all the contents in the box and gather the required tools. See "Parts" and "Tools Needed" in the list below.

Parts Supplied	Split Cabinet
Door Handles	2
Drawer Handles	1
Handle Bolts for Doors (M4x22mm)	4
Handle Bolts for Drawers (M4x30mm)	2
#8 x 25mm Screws	6
Shelf	1
Shelf Pins	6
Threaded Caps	2
Threaded Washer	2
Lag Screw (6 mm x 55 mm)	2

Door Handle

Shelf Pins

Shelf

Door Handle Bolt M4 x 22mm

Lag Screw 6mm x 55mm

Threaded Washer

Threaded Caps

Drawer Handle Bolt M4 x 30mm

Screws #8 x 25mm

## Tools Needed

1 x #2 Phillips head screwdriver

1 x #2 Phillips Bit (optional)

1 x Cordless Power Drill (optional)

1 x Pencil

1 x Tape Measure

1 x Drill Bit 2.5mm or 3/32"

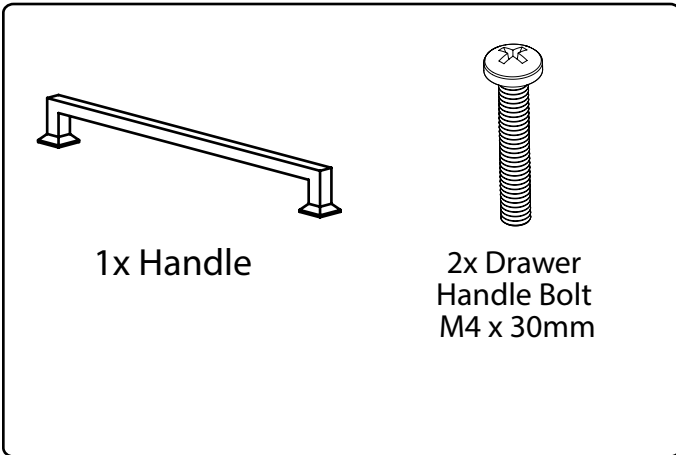
1 x Flashlight (optional)

# Installing Drawer Handle

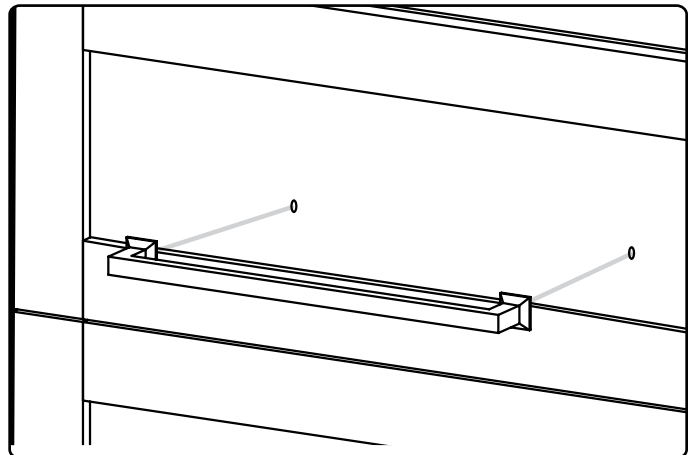
**Note:**

Cabinets come with handles installed on inside of drawers/doors.

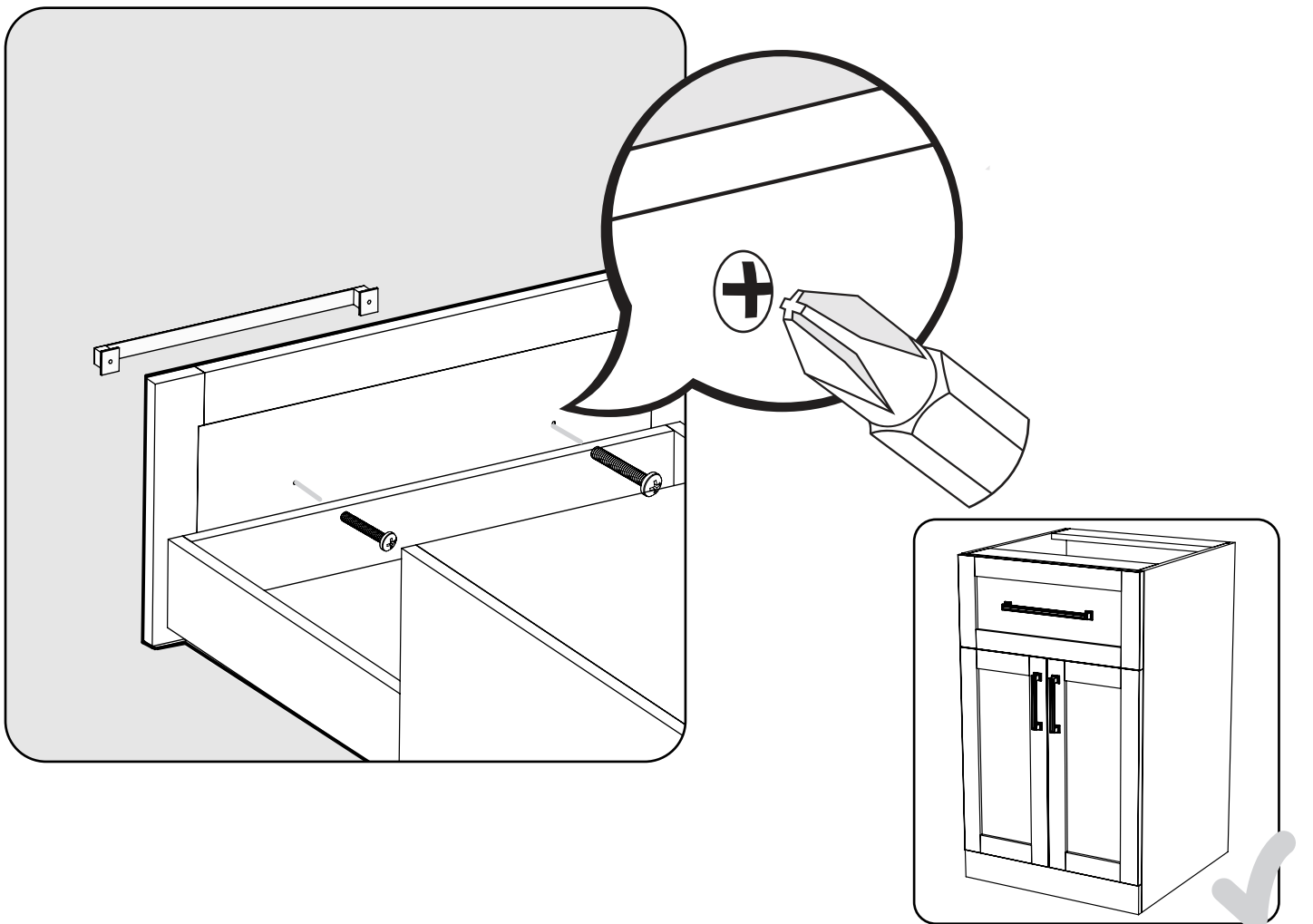
**1** Parts Needed.



**2** Align handle to holes on doors or drawers.

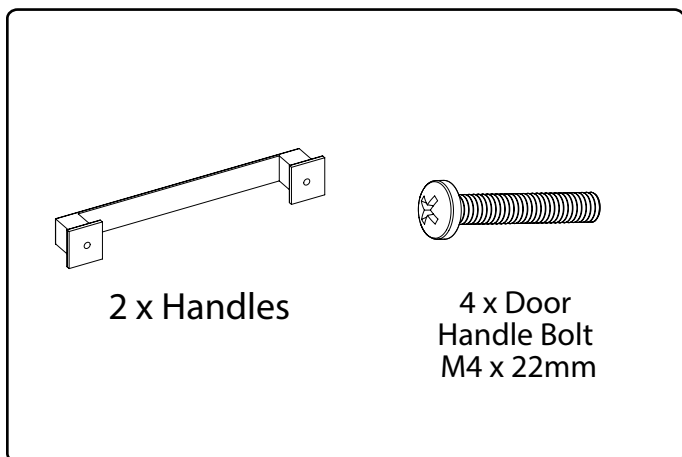


**3** Screw in bolts.

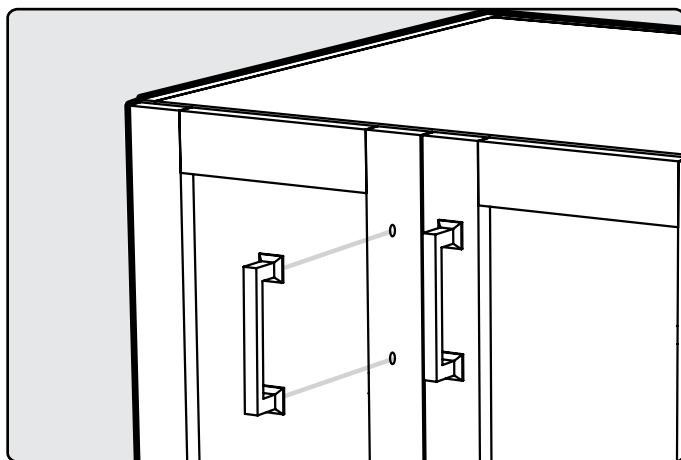


# Installing the Handles

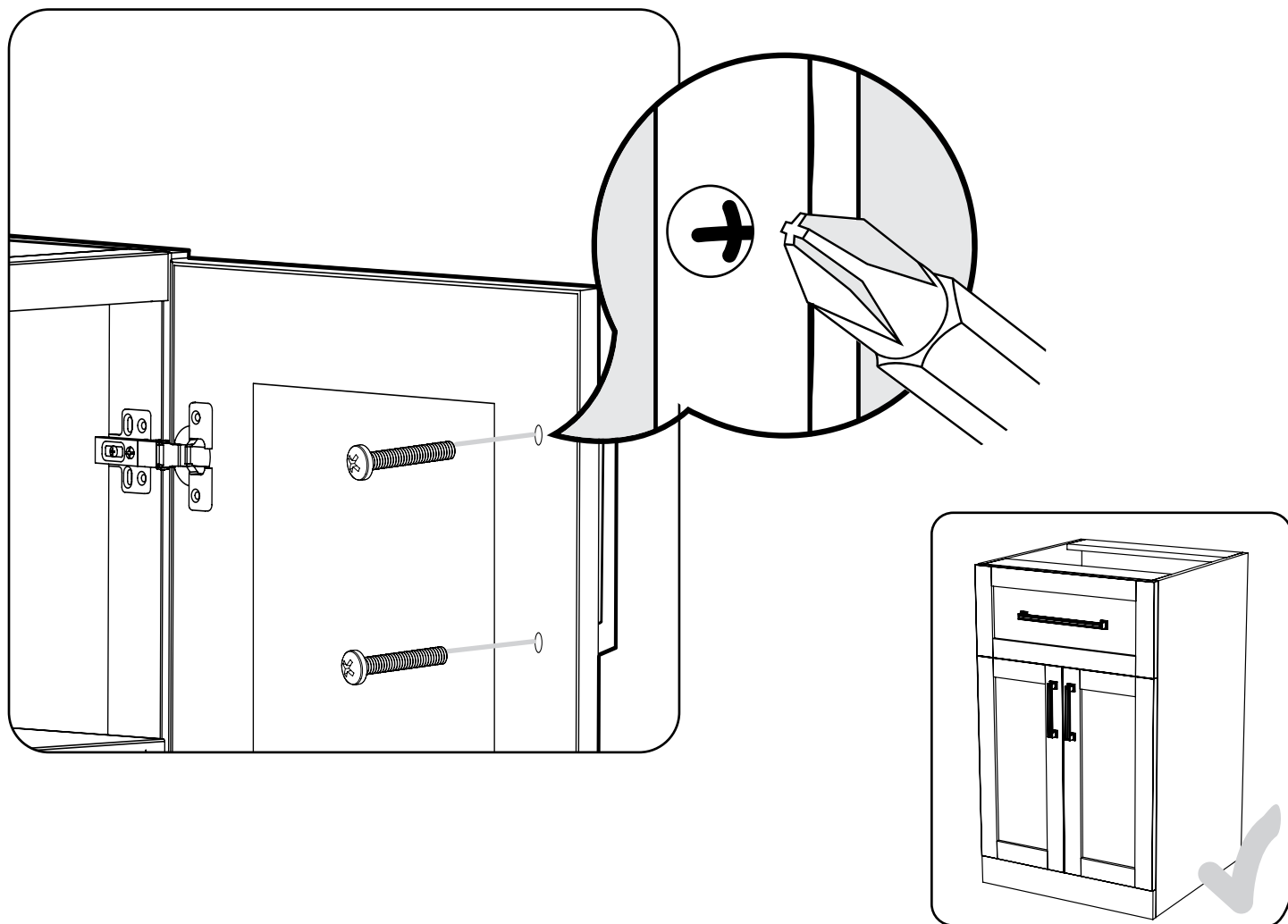
## 4 Parts Needed.



## 5 Align handle to holes on doors or drawers.

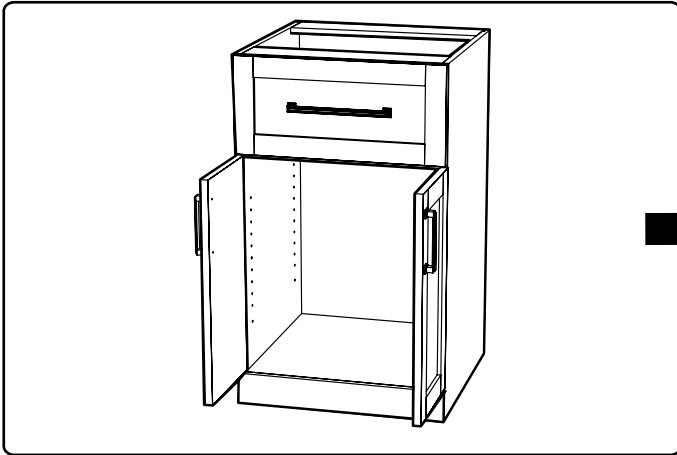


## 6 Screw in bolts.

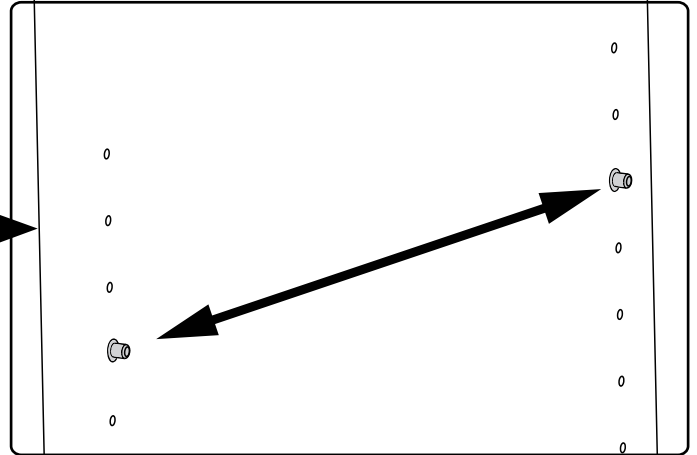


# Inserting Shelf

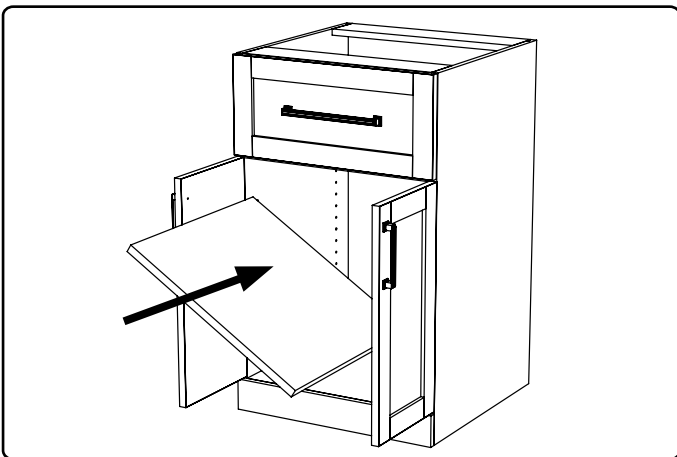
**1** Open cabinet doors. Attach shelf clips to desired height.



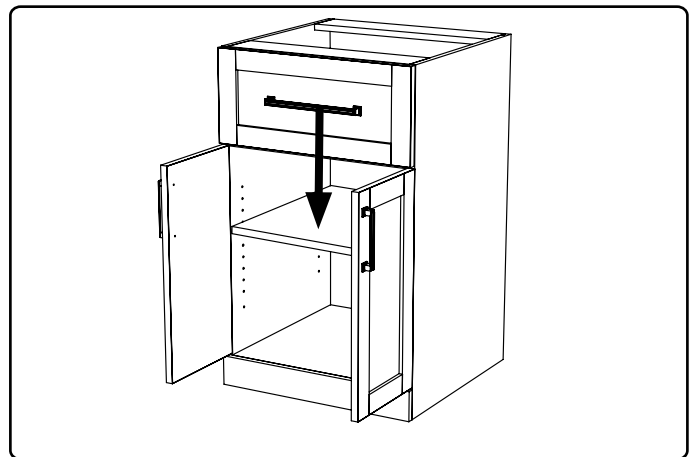
**2** Ensure clips are at level height.



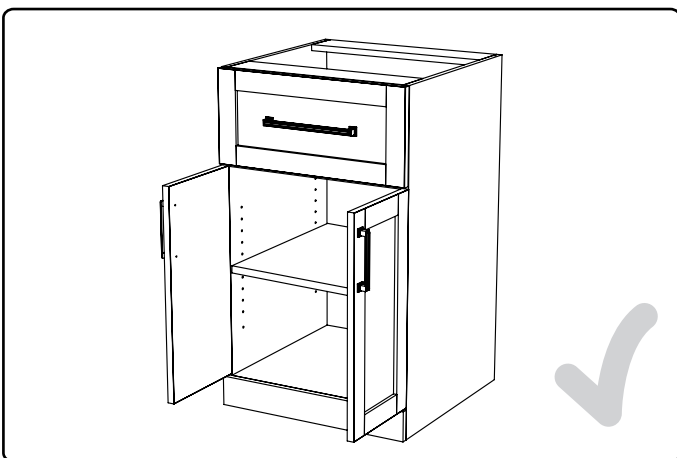
**3** Insert shelf at a slight angle.



**4** Position over shelf supports . Lower shelf down onto shelf supports.

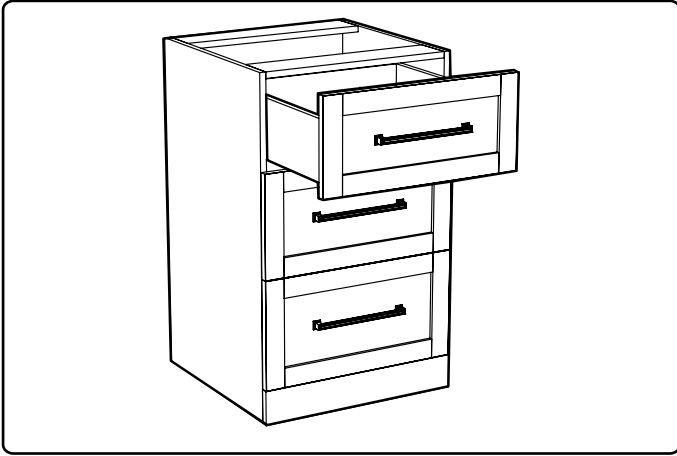


**5**

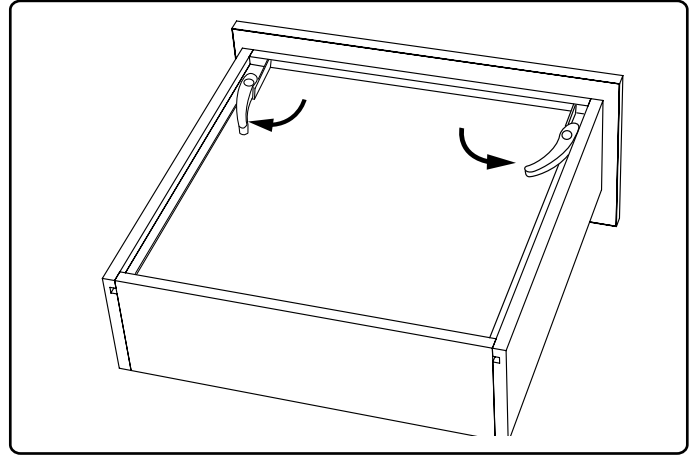


# Removing Drawer

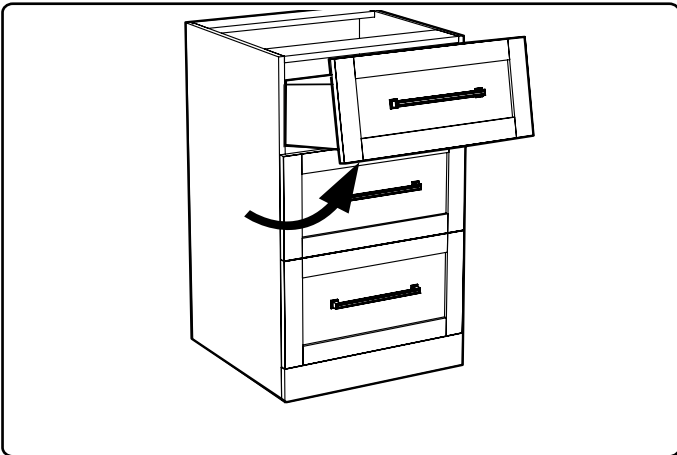
**6** Extend drawer fully.



**7** Press plastic triggers on underside of drawer according to arrows in image.

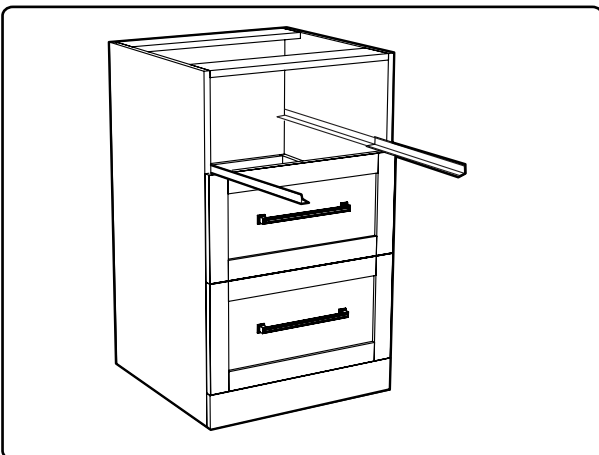


**8** Tilt and remove shelf rack.

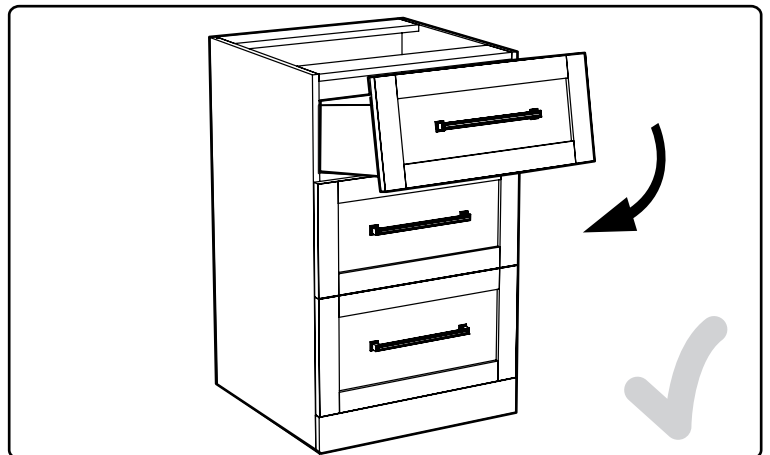


# Inserting Drawer

**9** Partially extend drawer slides.



**10** Put drawer on slides and slide each drawer side forward until you hear a click sound.





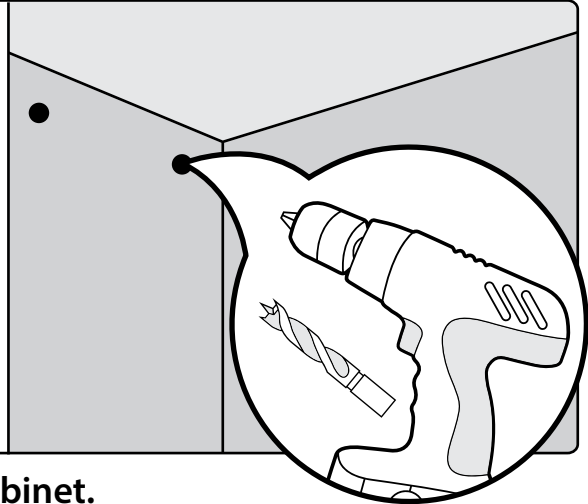
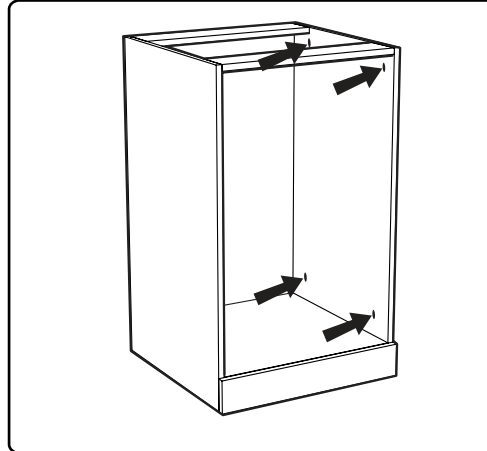
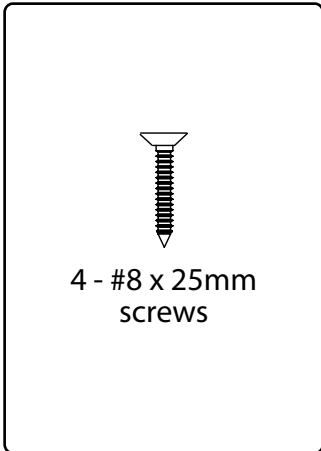
# Fastening Cabinets

## Note:

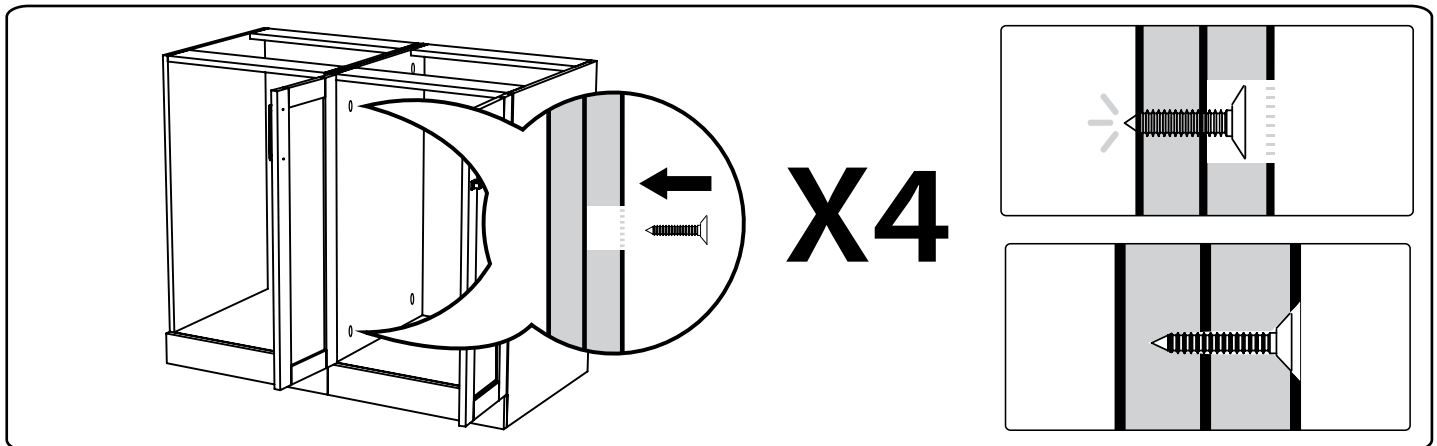
All shelves and drawers must be removed prior to fastening cabinets together.

**11** Parts Needed.

**12** Drill 3/32 pilot holes on interior wall of cabinet being fastened.

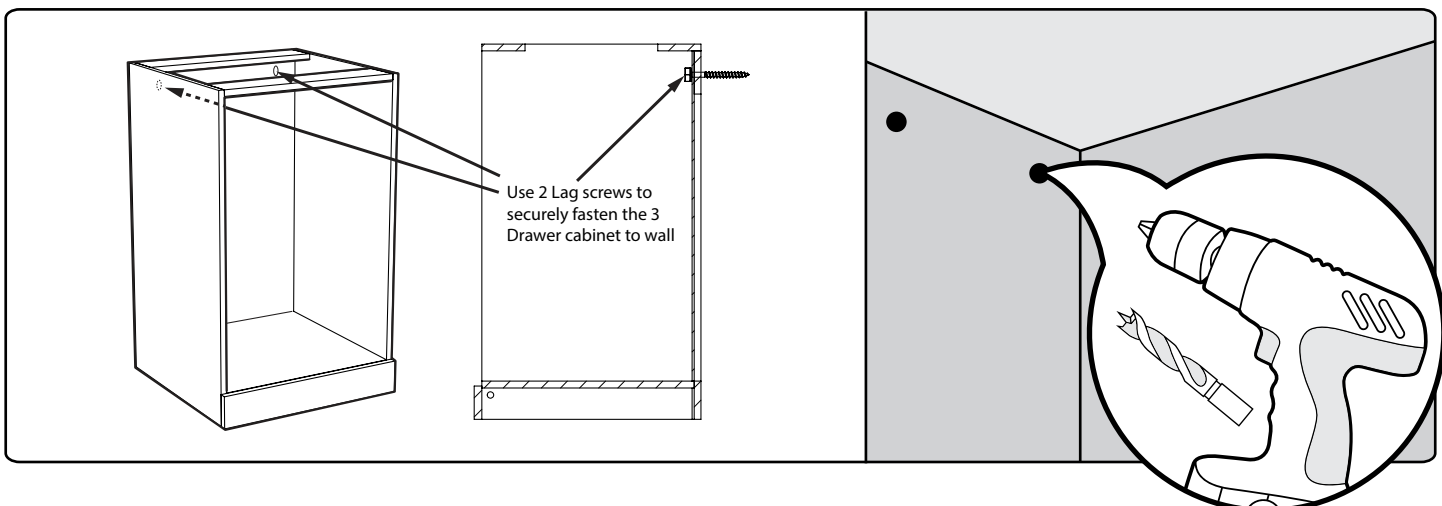


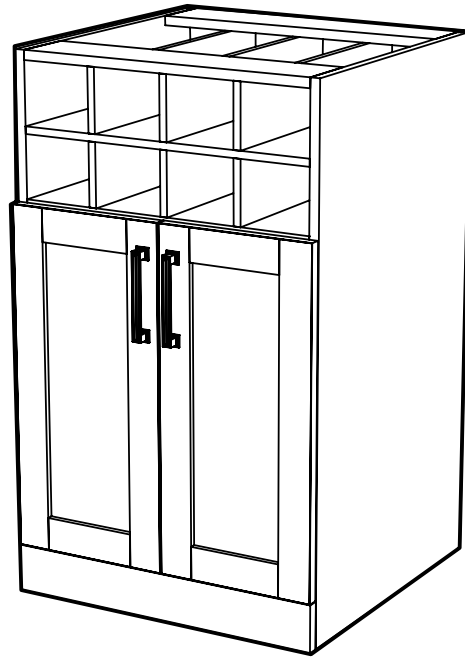
**11** Using pilot hole as guides, screw into second cabinet. Do not over-tighten screws and punch through other side!



# Securing Cabinet to Wall to prevent tipping

**12** To securely fasten the cabinet to the wall, drill 1/4" pilot holes on back inside wall of cabinet. Use 2 lag screws to fasten the cabinet to the wall studs.





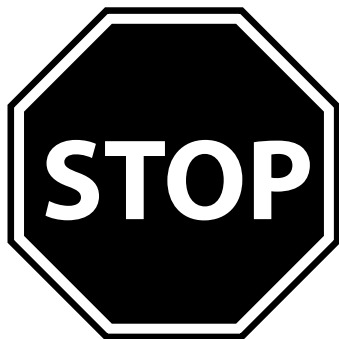
# HOME BAR SERIES

## 21in. WINE STORAGE



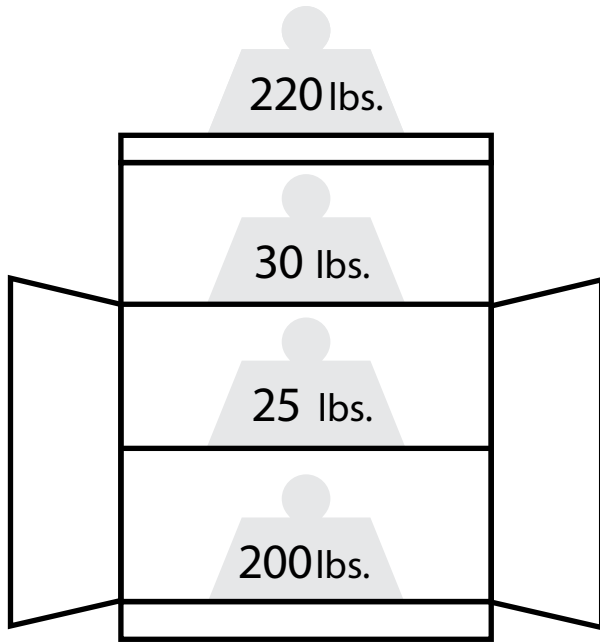
### **Warning: Excessive weight hazard!**

Use two or more people to move, assemble, or install cabinets to avoid back injury. Do not leave children unattended near cabinets. High risk of tipping if cabinets are installed incorrectly: securely attach cabinets to the wall to avoid serious injury. For assistance, call 1.877.306.8930; for U.K 0800.031.4069; e-mail at [info@newageproducts.com](mailto:info@newageproducts.com).



**ATTENTION:** Is your cabinet damaged? Need help or spare parts? For fastest service, contact NewAge Products at 1-877-306-8930; or [support@newageproducts.com](mailto:support@newageproducts.com). Do not return to the retailer.

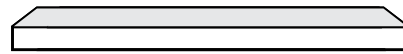
# Weight Capacity



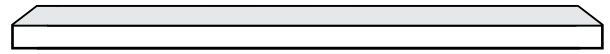
Split  
Base Cabinet  
Max 500 lbs.

# Countertops

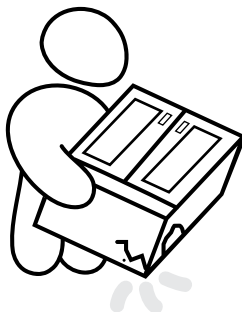
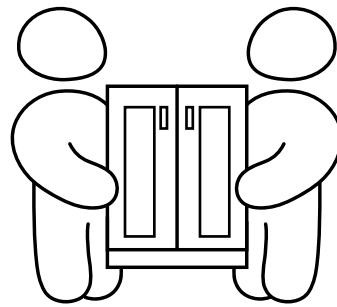
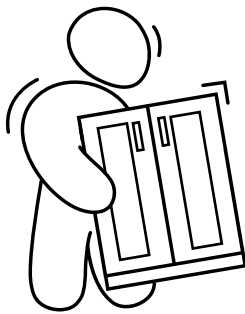
42" Countertop. Fits over 2 Cabinets



63" Countertop. Fits over 3 Cabinets



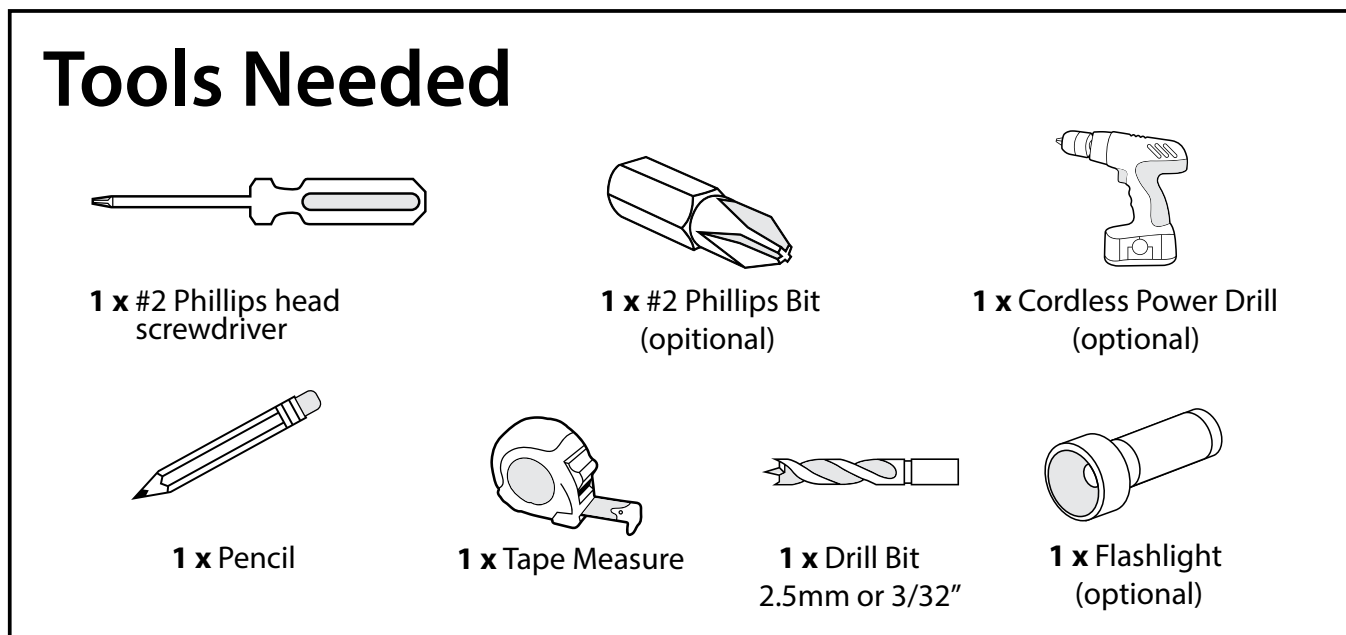
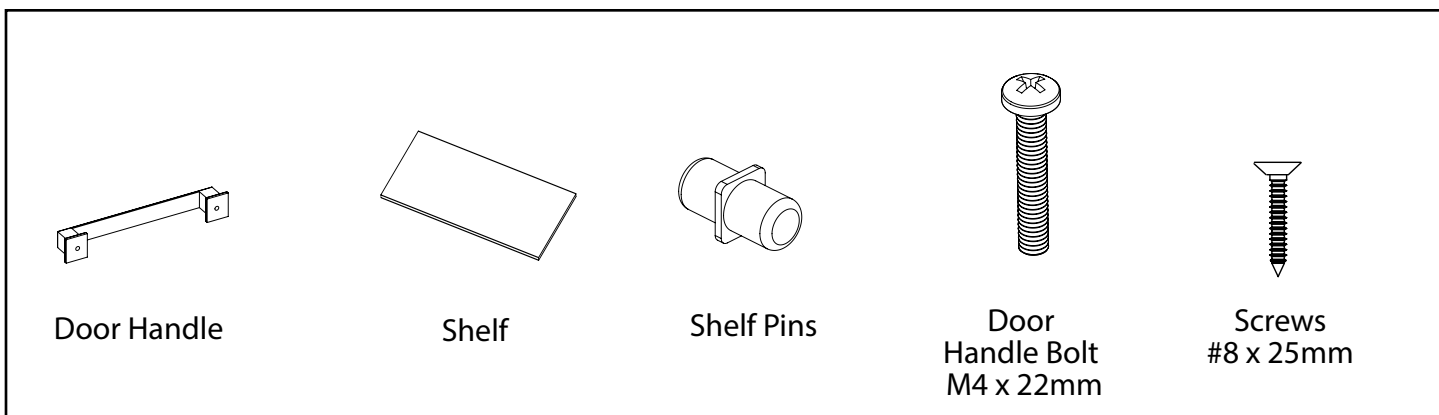
84" Countertop. Fits over 4 Cabinets



# Unpacking

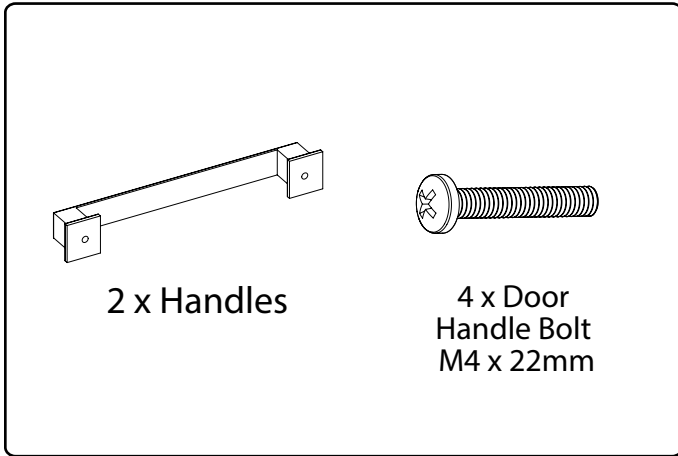
- Begin by placing the package on a covered flat surface.
- Remove all cardboard, foam packaging material and clear plastic bags.
- Dispose / recycle all packaging materials.
- Verify all the contents in the box and gather the required tools. See "Parts" and "Tools Needed" in the list below.

Parts Supplied	Split Cabinet
Door Handles	2
Handle Bolts for Doors (M4x22mm)	4
#8 x 25mm Screws	6
Shelf	1
Shelf Clips	4

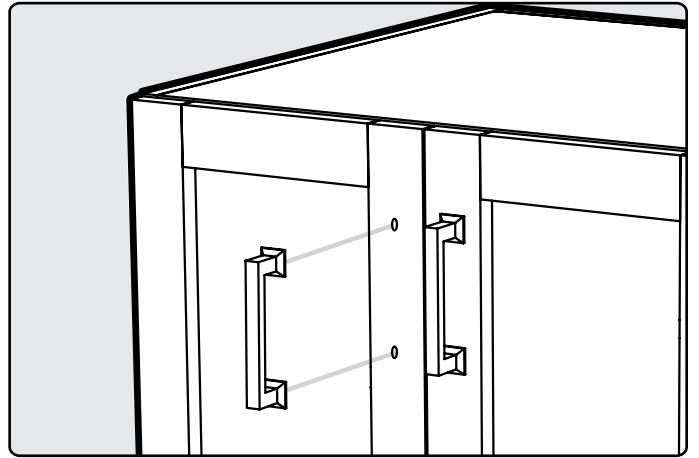


# Installing the Handles

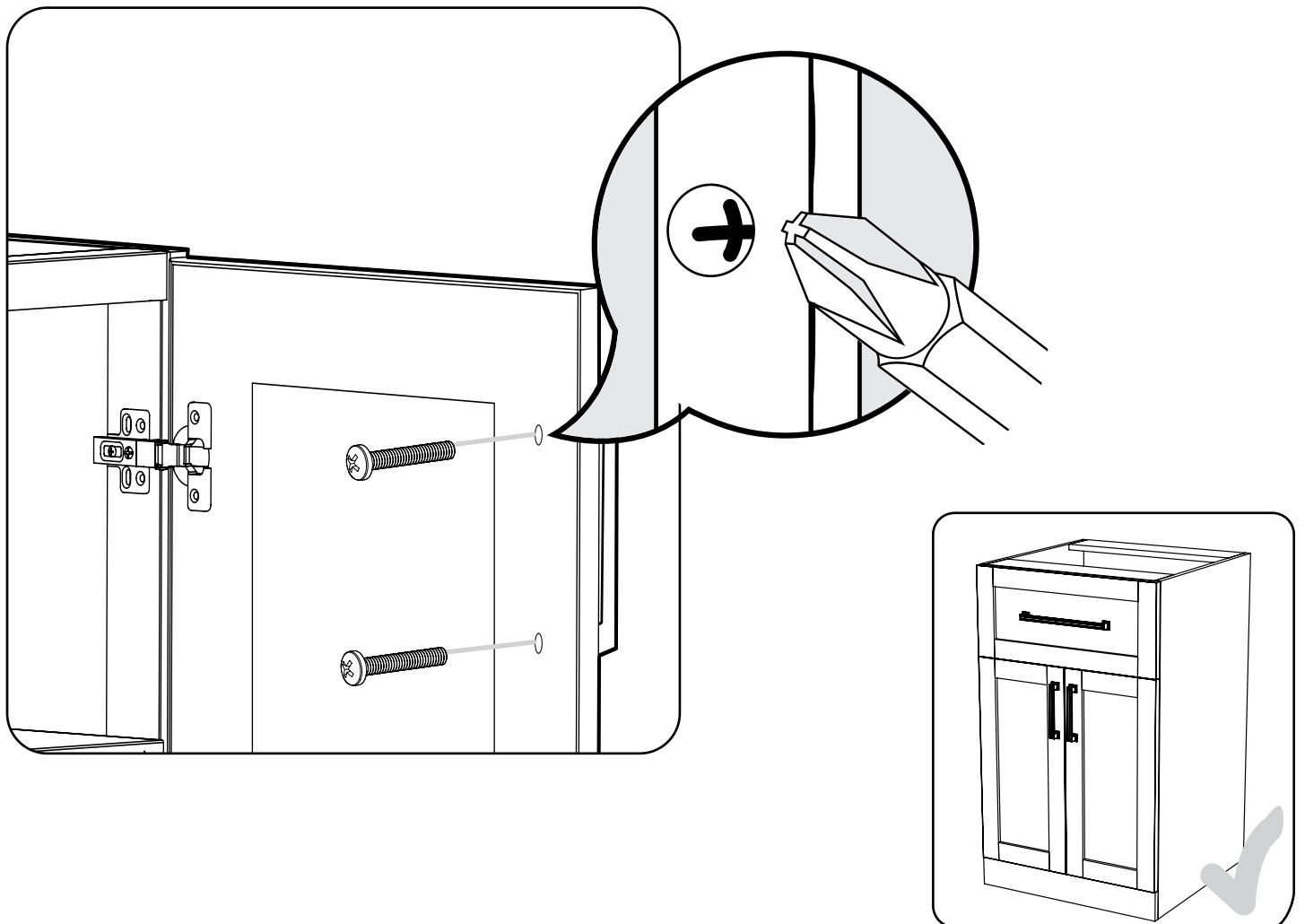
## 4 Parts Needed.



## 5 Align handle to holes on doors or drawers.

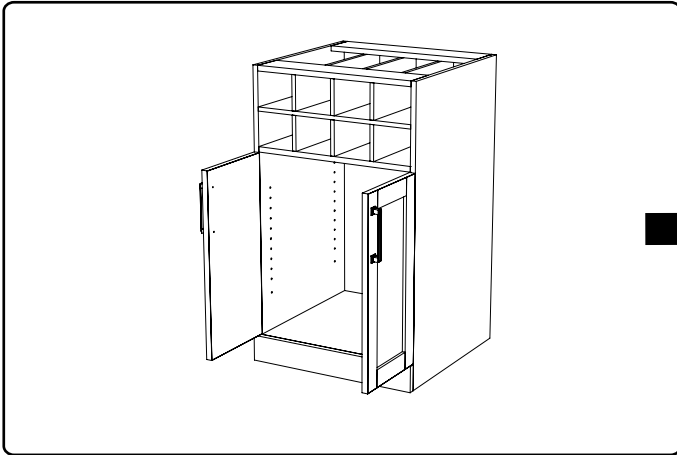


## 6 Screw in bolts.

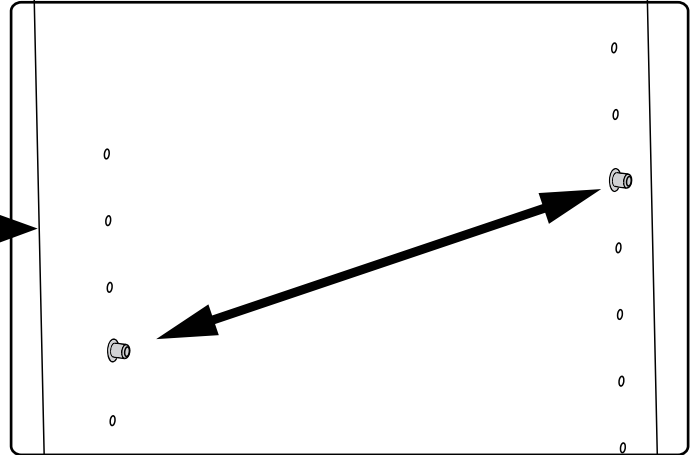


# Inserting Shelf

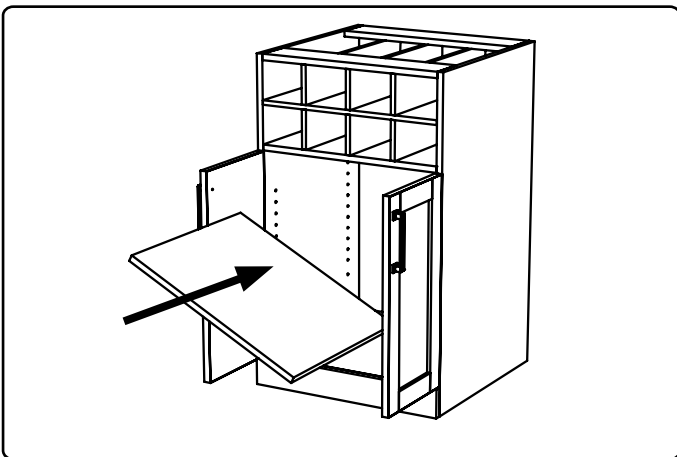
**1** Open cabinet doors. Attach shelf clips to desired height.



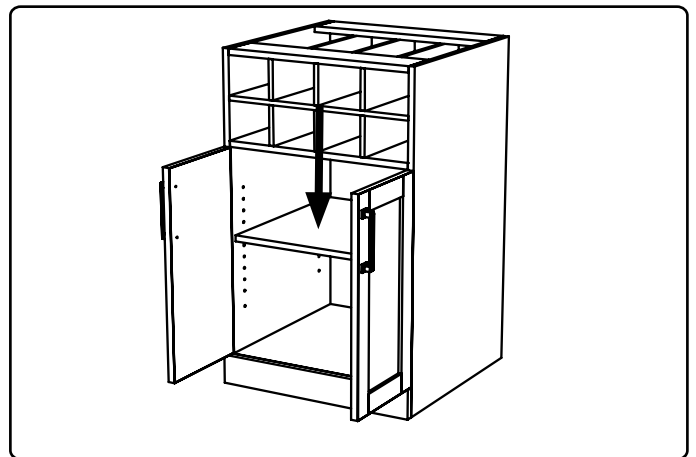
**2** Ensure clips are at level height.



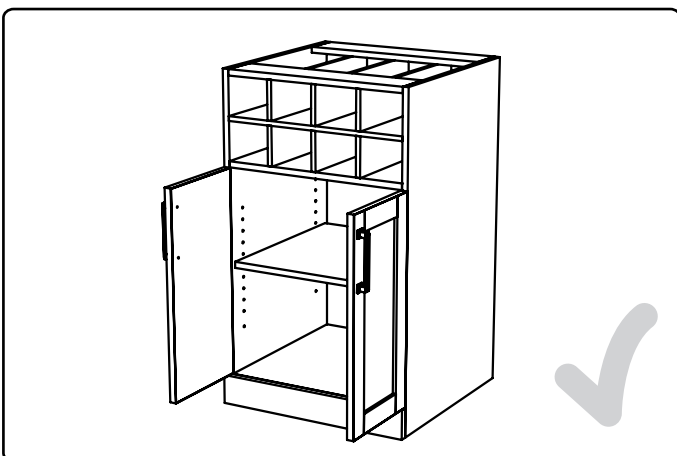
**3** Insert shelf at a slight angle.



**4** Position over shelf supports . Lower shelf down onto shelf supports.



**5**



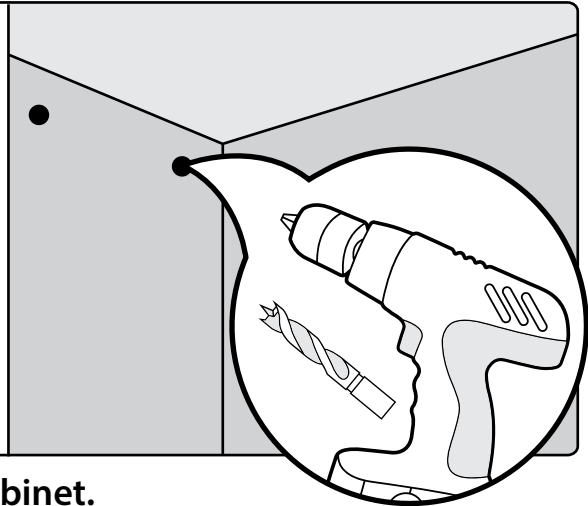
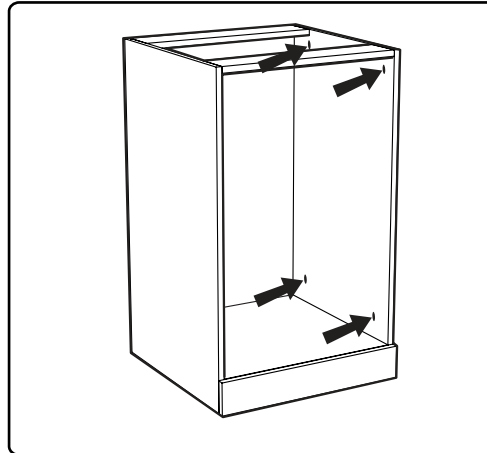
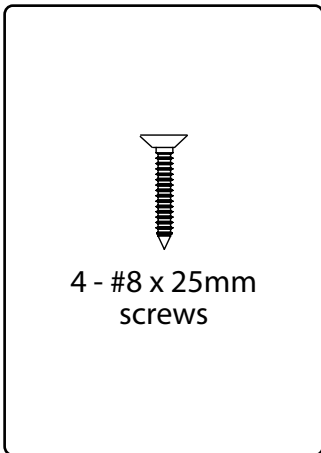
# Fastening Cabinets

## Note:

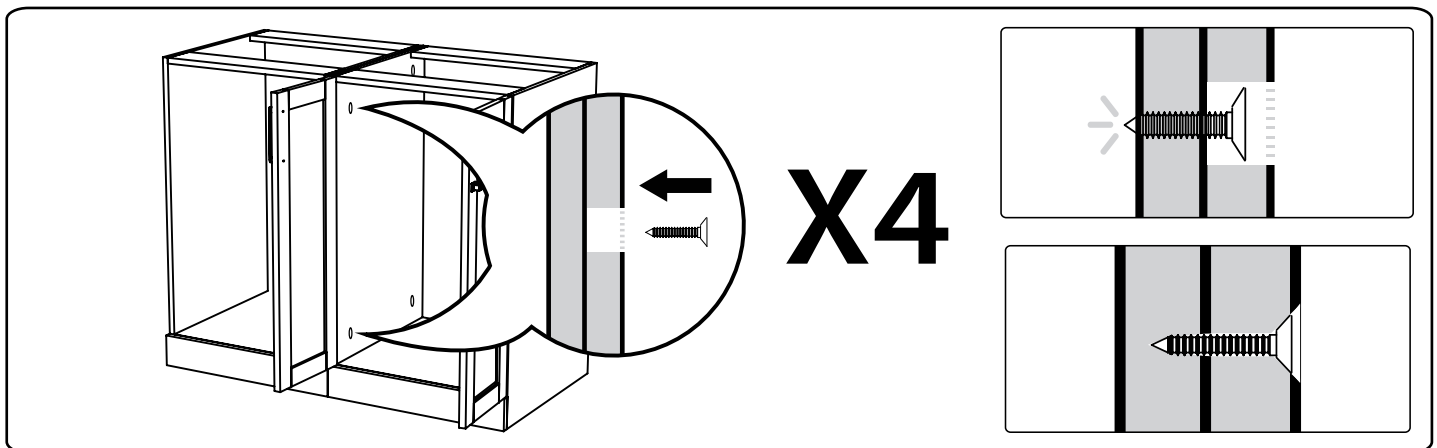
All shelves and drawers must be removed prior to fastening cabinets together.

**11** Parts Needed.

**12** Drill 3/32 pilot holes on interior wall of cabinet being fastened.

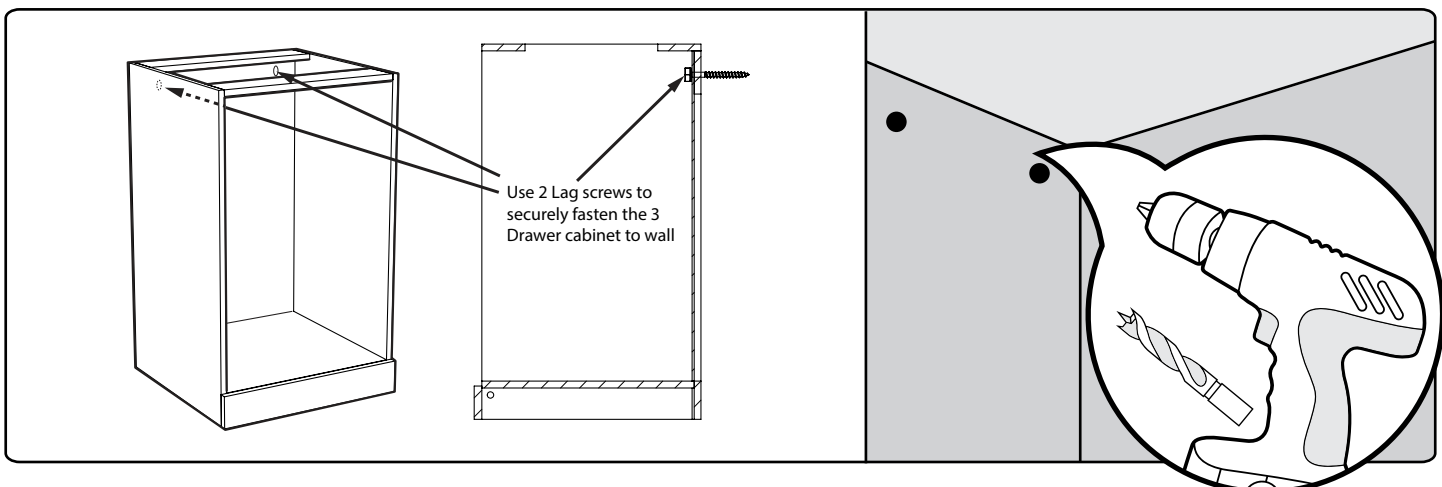


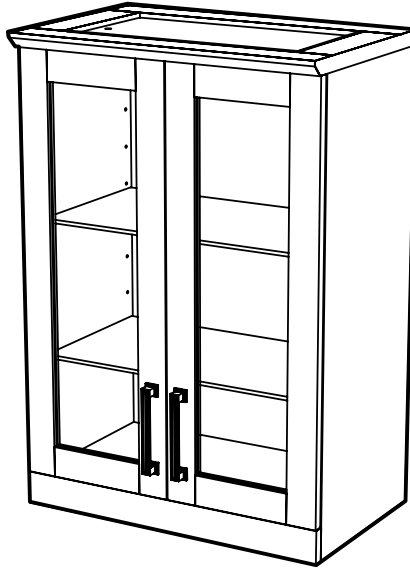
**11** Using pilot hole as guides, screw into second cabinet. Do not over-tighten screws and punch through other side!



# Securing Cabinet to Wall to prevent tipping

**12** To securely fasten the cabinet to the wall, drill 1/4" pilot holes on back inside wall of cabinet. Use 2 lag screws to fasten the cabinet to the wall studs.





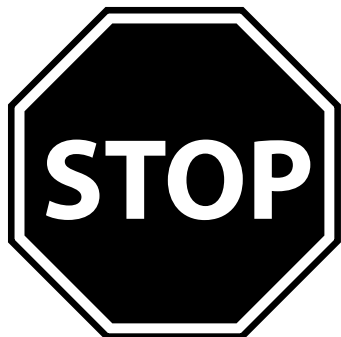
# HOME BAR SERIES

## 21in. SHORT WALL DISPLAY



### **Warning: Excessive weight hazard!**

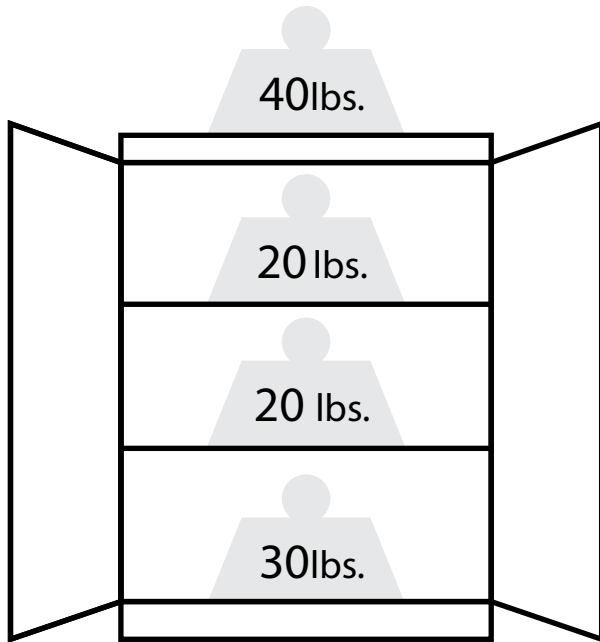
Use two or more people to move, assemble, or install cabinets to avoid back injury. Do not leave children unattended near cabinets. High risk of tipping if cabinets are installed incorrectly: securely attach cabinets to the wall to avoid serious injury. For assistance, call 1.877.306.8930; for U.K 0800.031.4069; e-mail at [info@newageproducts.com](mailto:info@newageproducts.com).



**ATTENTION:** Is your cabinet damaged? Need help or spare parts? For fastest service, contact NewAge Products at 1-877-306-8930; or [support@newageproducts.com](mailto:support@newageproducts.com). Do not return to the retailer.



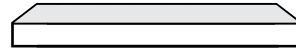
# Weight Capacity



Short Display Cabinet  
Max 130lbs.

# Countertops

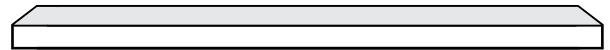
(for Base cabinets only)



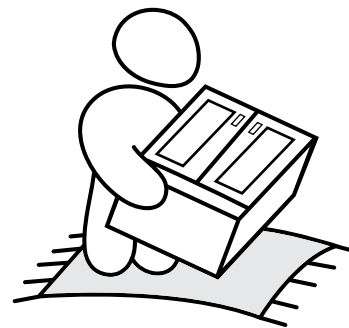
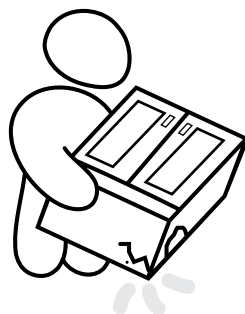
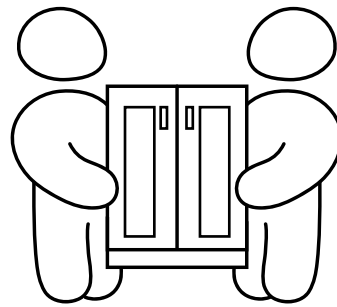
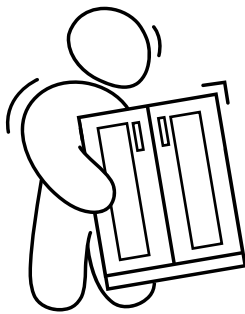
42" Countertop. Fits over 2 Cabinets



63" Countertop. Fits over 3 Cabinets



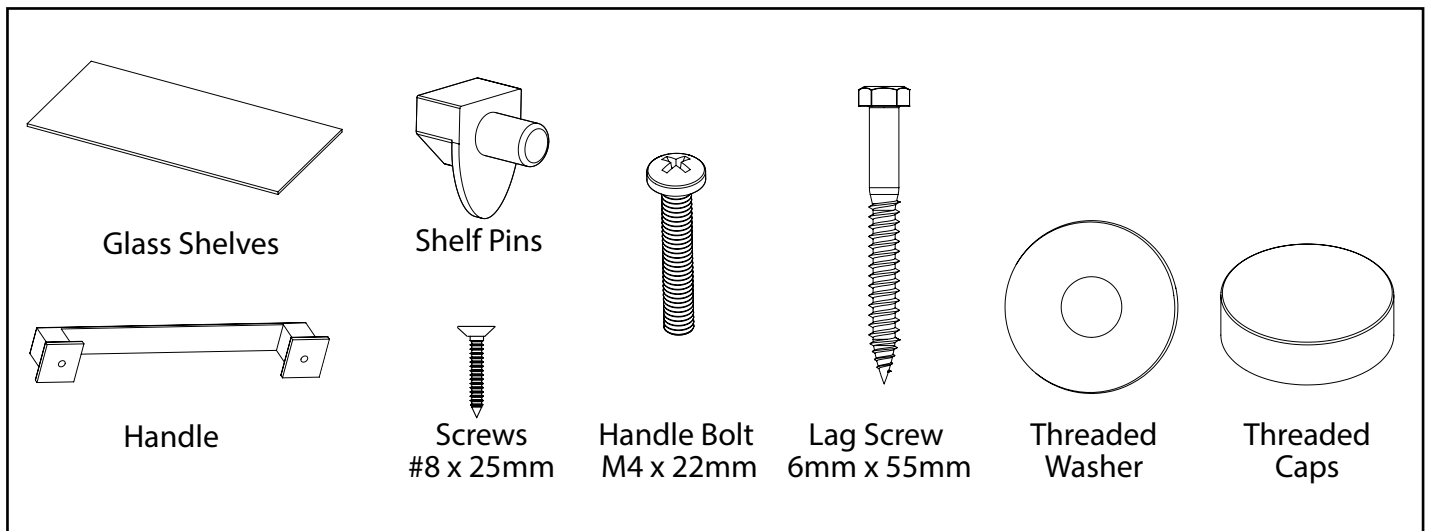
84" Countertop. Fits over 4 Cabinets



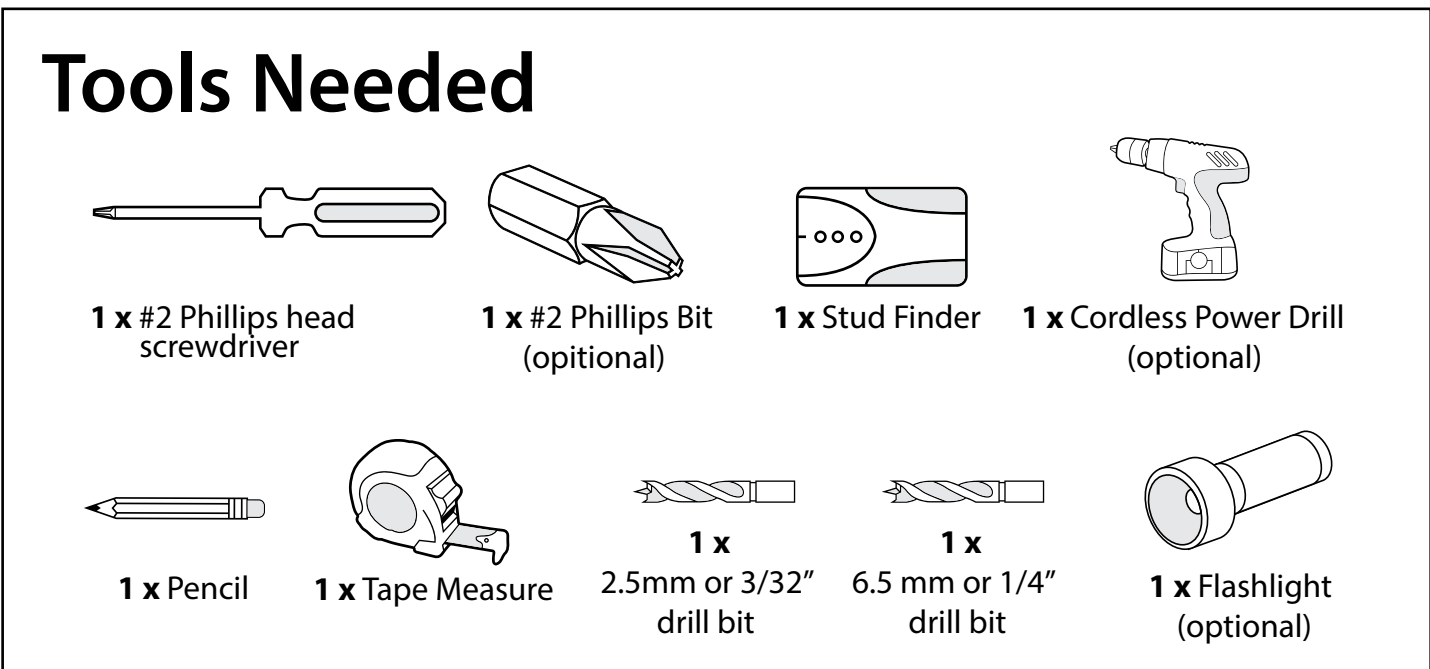
# Unpacking

- Begin by placing the package on a covered flat surface.
- Remove all cardboard, foam packaging material and clear plastic bags.
- Dispose / recycle all packaging materials.
- Verify all the contents in the box and gather the required tools.
- See "Parts" and "Tools Needed" in the list below.

Parts Supplied	Short Wall Display Cabinet
Threaded Caps	4
Threaded Washer	4
Handles	2
Handle Bolts ( M4 x 22mm)	2
#8 x 25mm Screws	4
Lag Screw ( 6 mm x 55 mm)	4
Glass Shelves	2
Shelf Pins	10



# Tools Needed

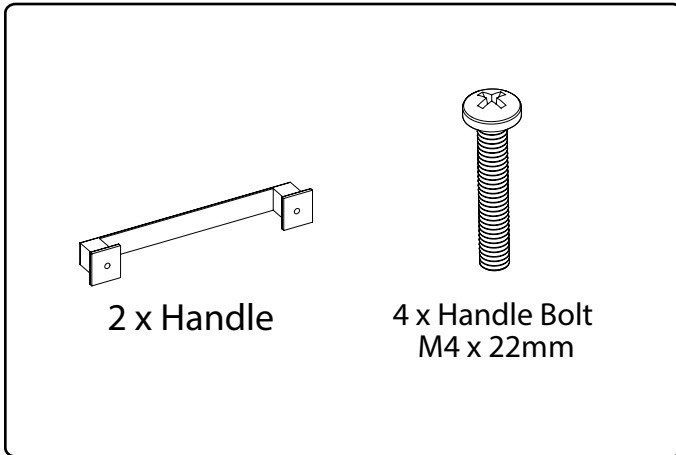


# Installing the Handles

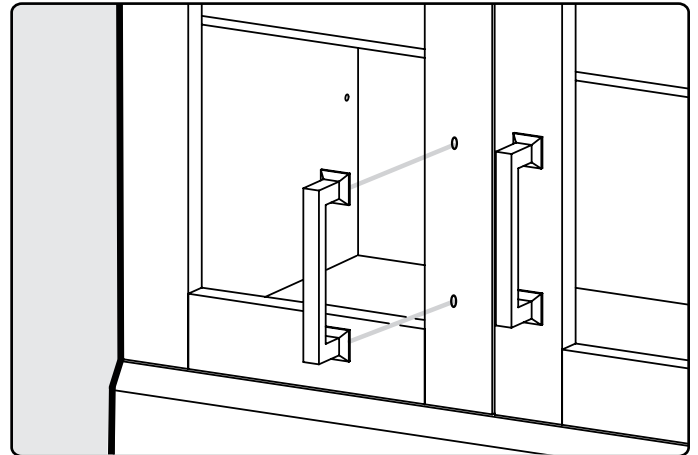
## Note:

Cabinets come with handles installed on inside of drawers/doors.

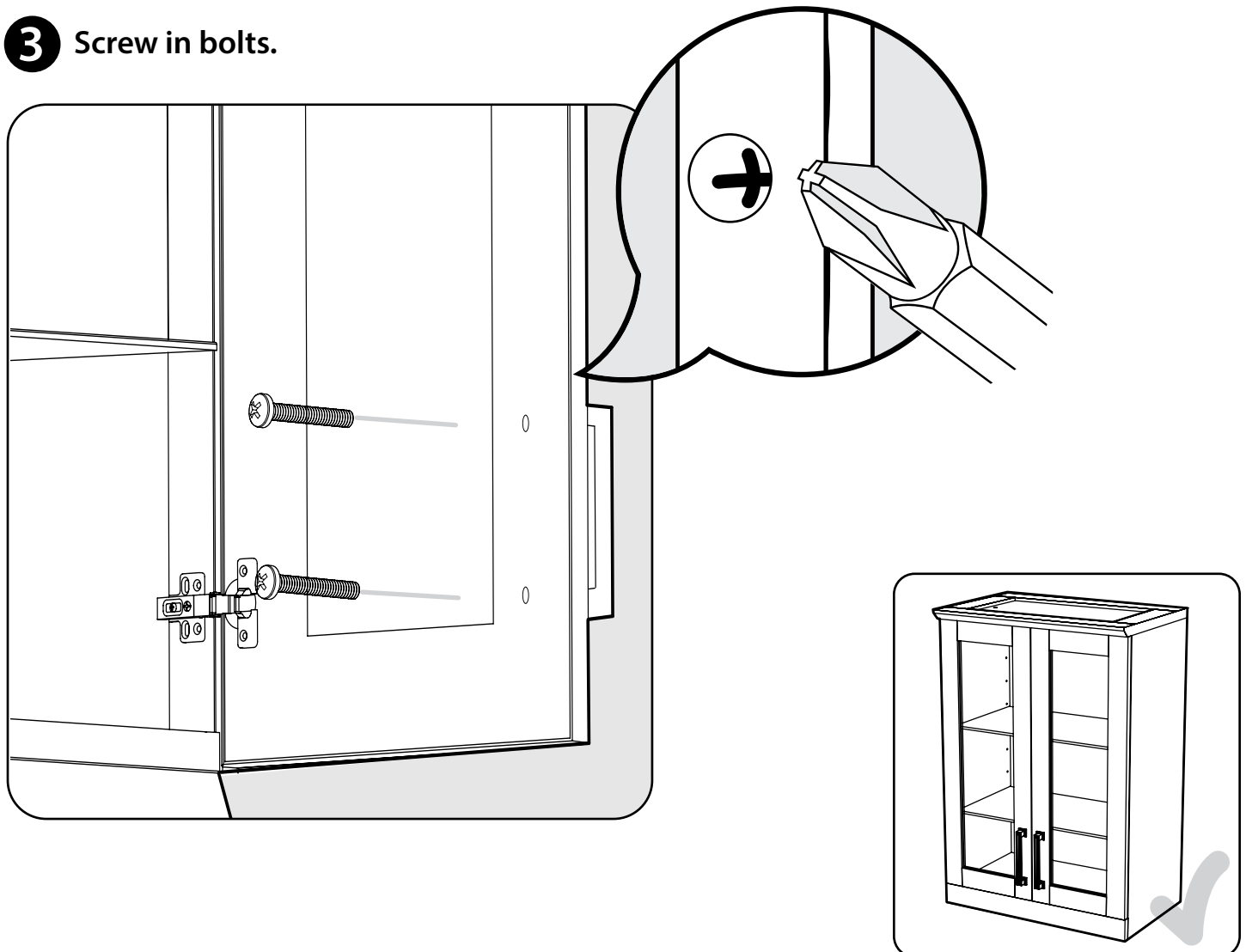
## 1 Parts Needed.



## 2 Align handle to holes on doors or drawers.

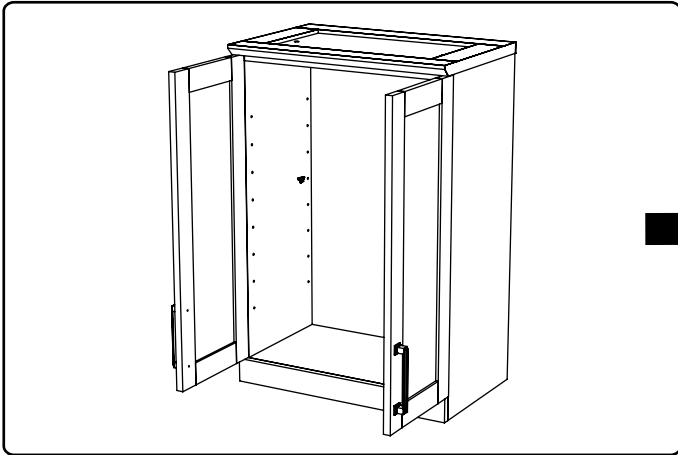


## 3 Screw in bolts.

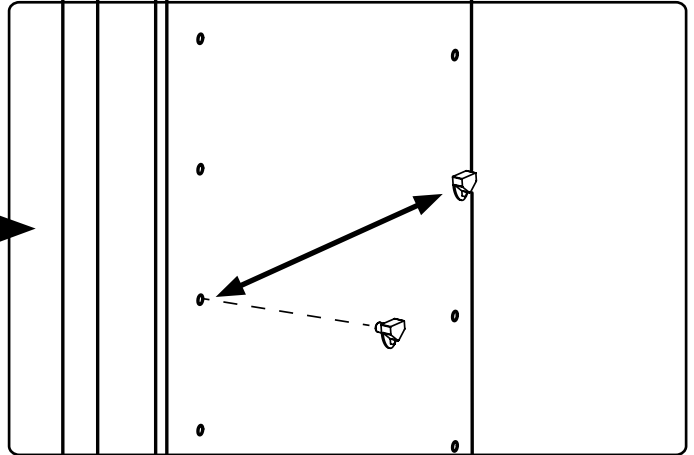


# Inserting Glass Shelves

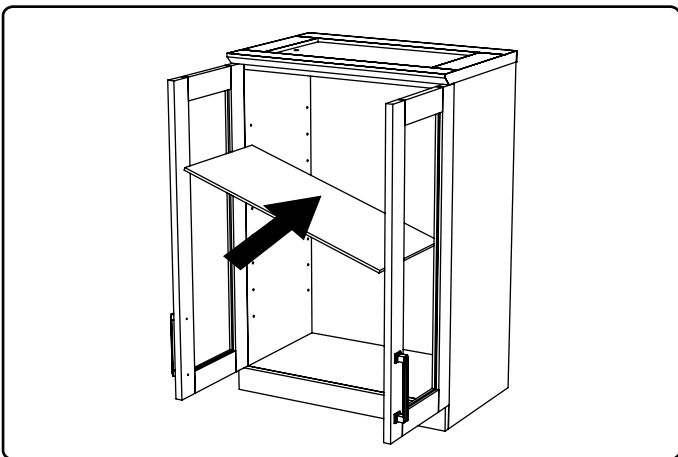
**4** Open cabinet doors. Install shelf pins at desired height.



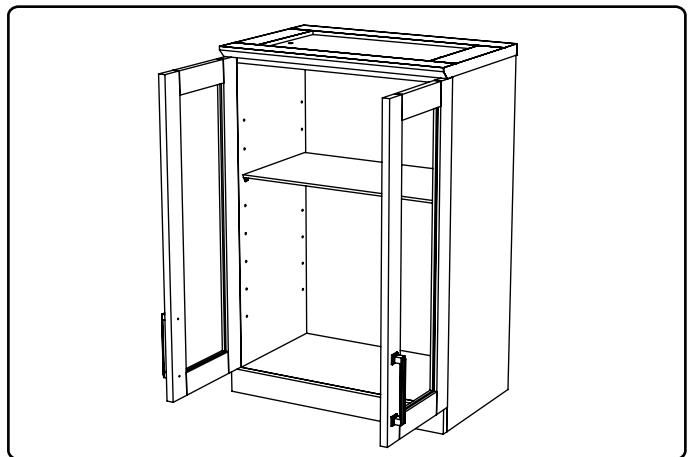
**5** Ensure pins are installed at level height.



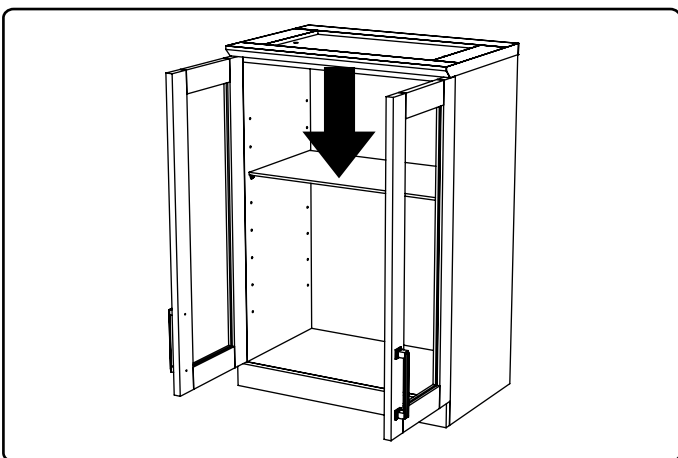
**6** Insert glass shelf at a slight angle.



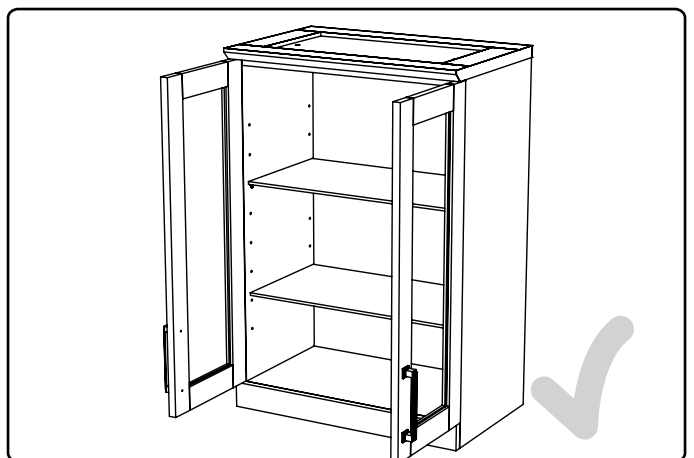
**7** Position over shelf supports.



**8** Lower shelf down onto shelf supports.

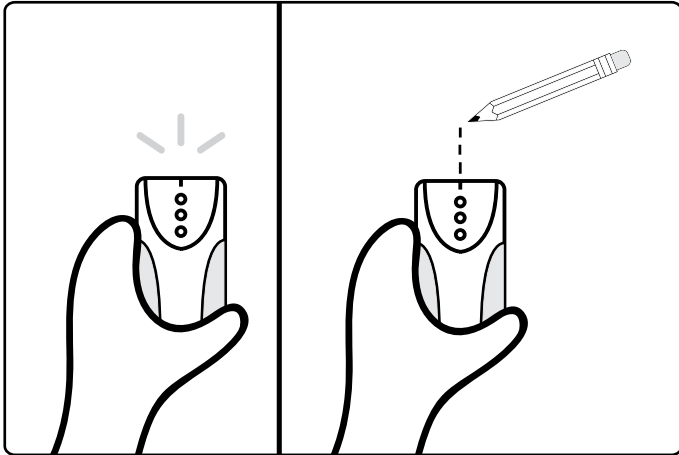


**9** Repeat steps 1-4 for second shelf.

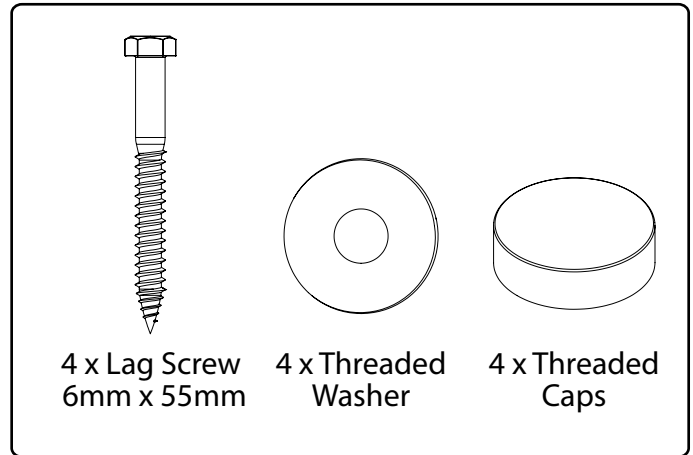


# Mounting Cabinets

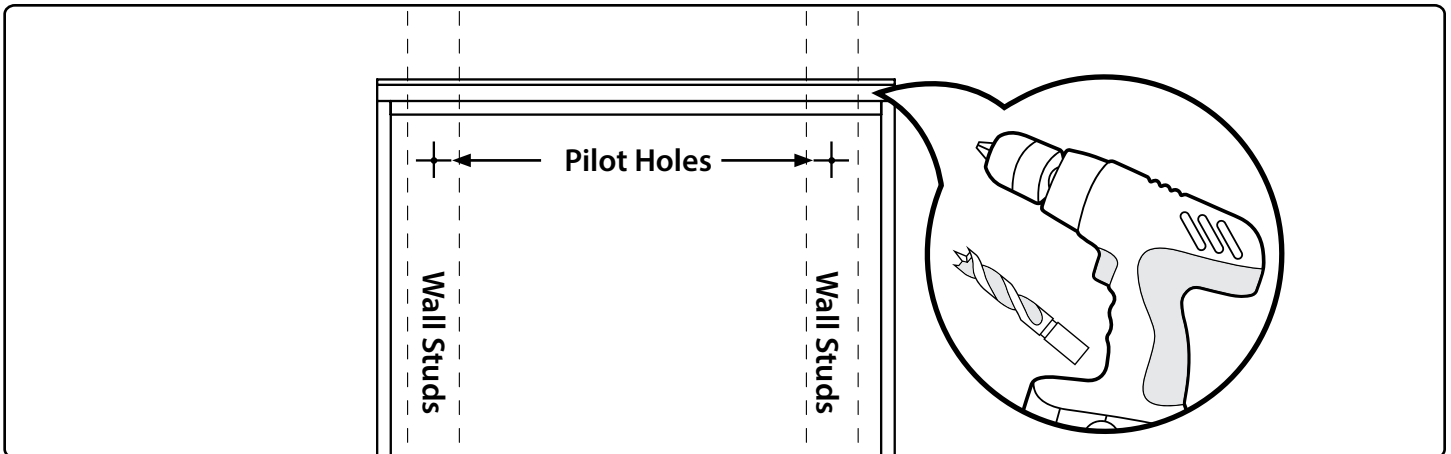
- 10** Use stud finder to locate the studs and mark the wall with a pencil.



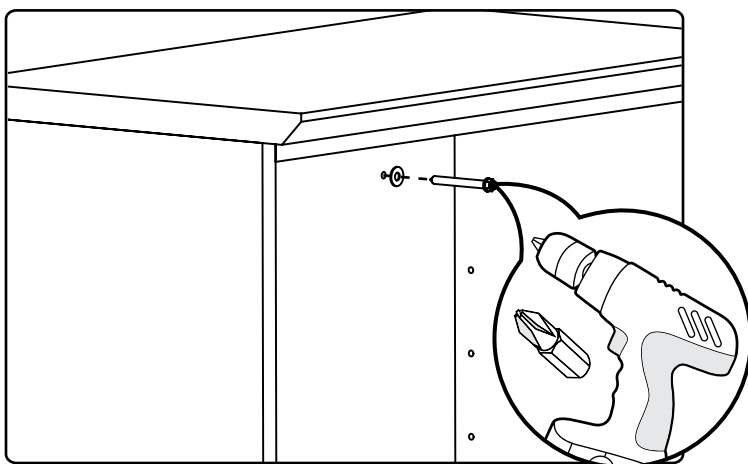
- 11** Gather parts.



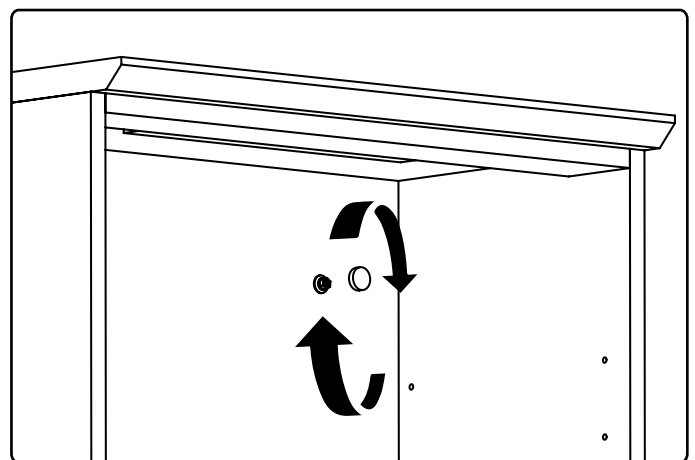
- 12** Near the top of the cabinet, drill 1/4" holes through the back of the cabinet that are in line with marked studs. Repeat for drilling two holes near the bottom of the cabinet.



- 13** Place cabinet flush against wall and attach using screws and washers.



- 14** Use threaded caps to cover screws.

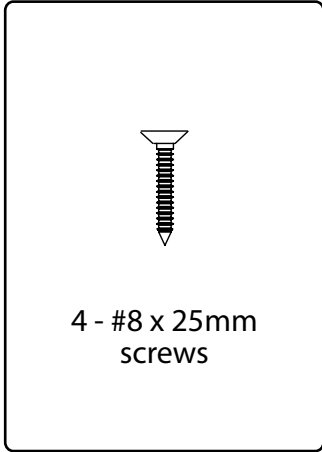


# Fastening Cabinets

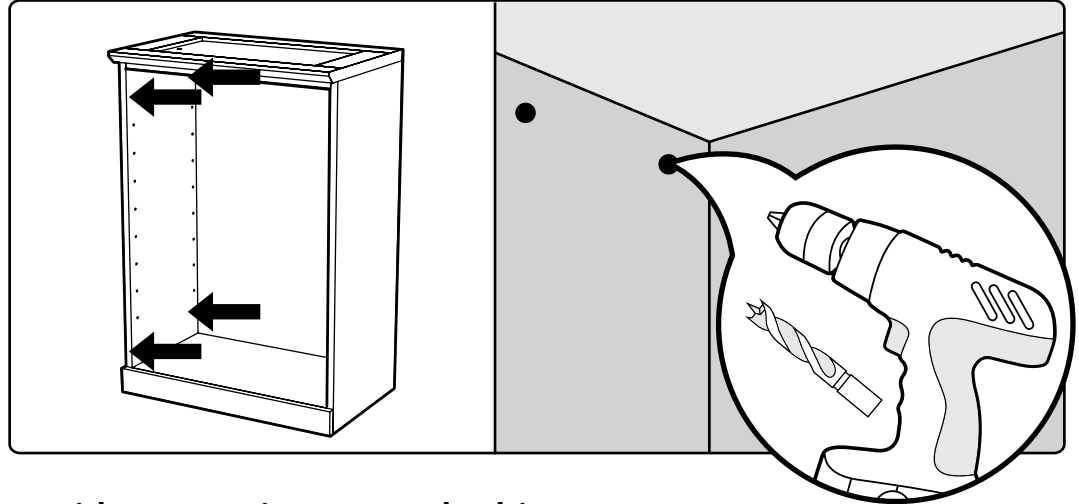
## Note:

All shelves must be removed prior to fastening cabinets together.

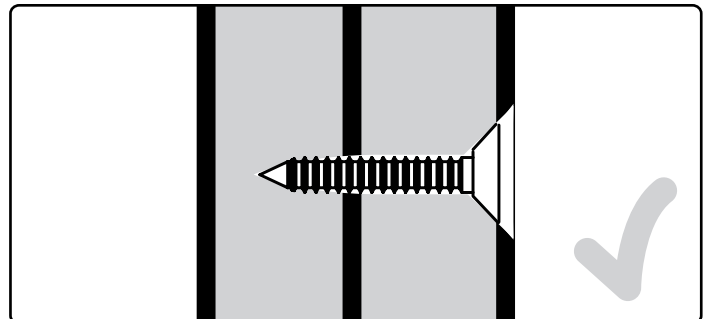
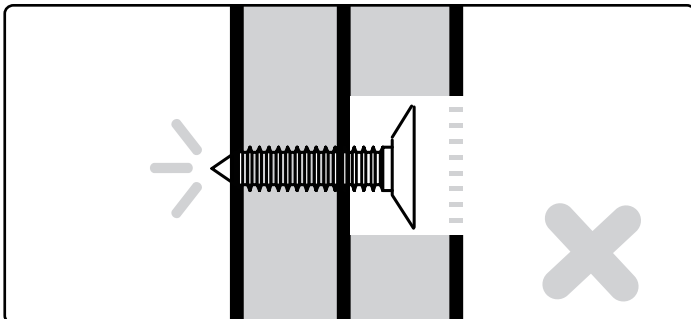
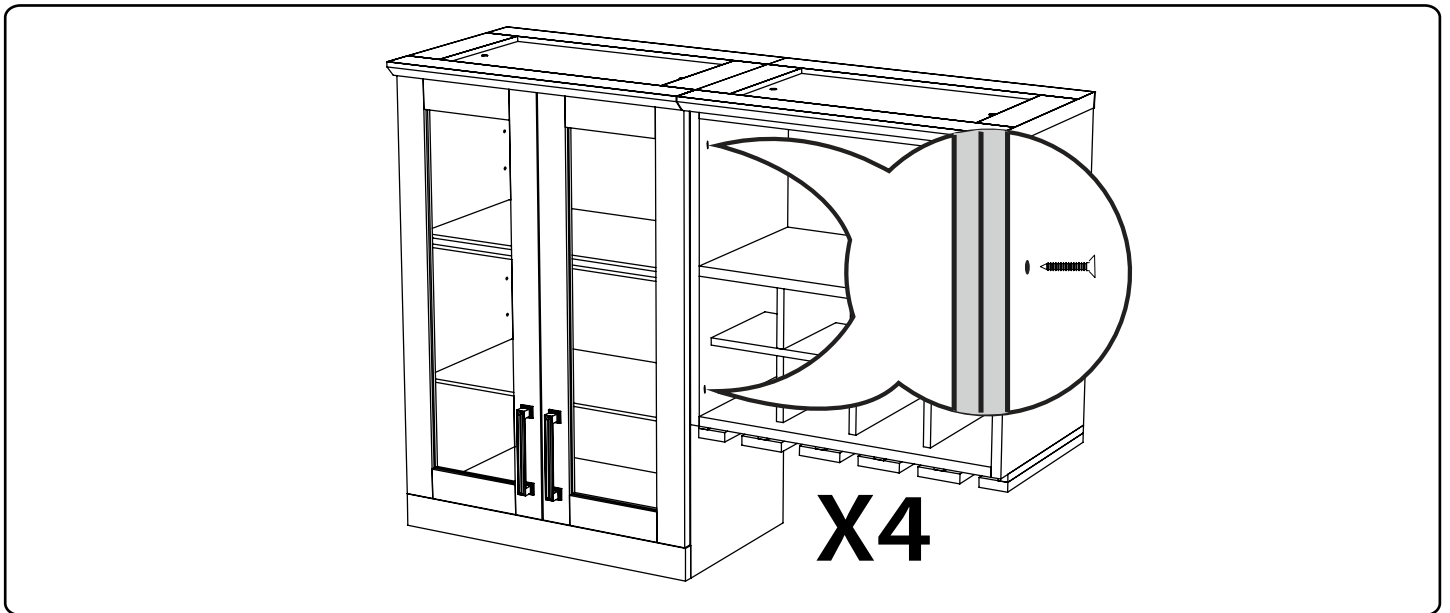
### 15 Parts Needed.



### 16 Drill 3/32" pilot holes on interior wall of cabinet being fastened.



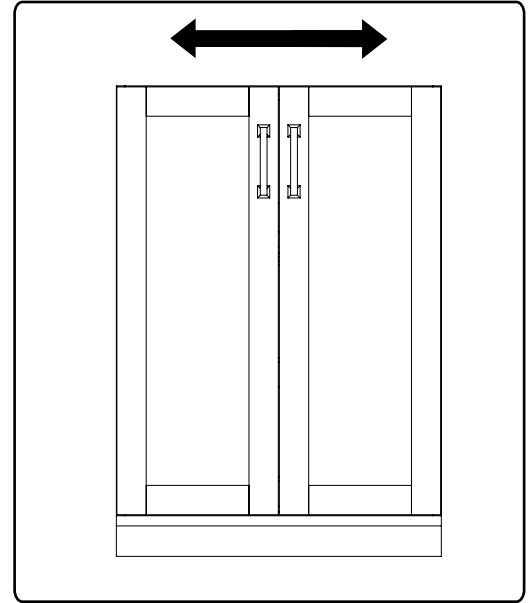
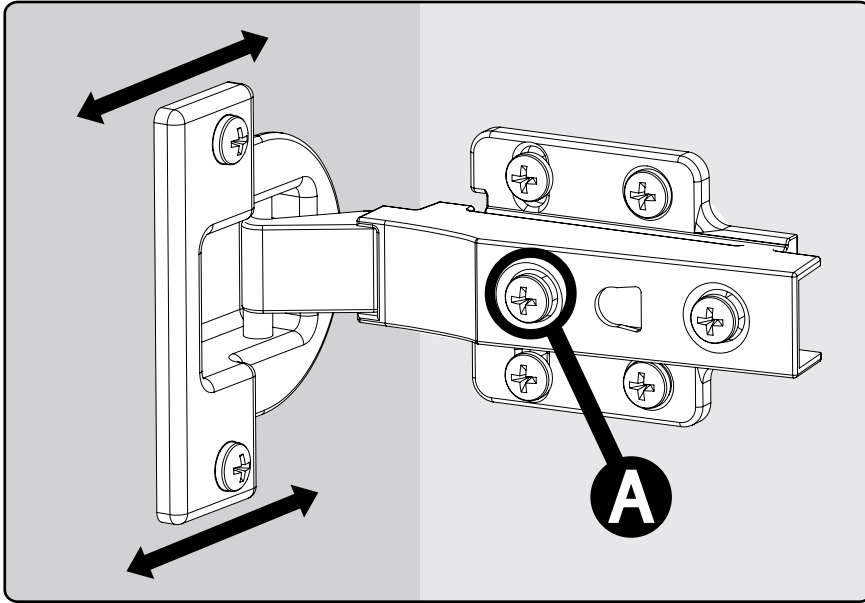
### 17 Using pilot hole as guides, screw into second cabinet. Do Not Over-tighten screws and Punch through other side!



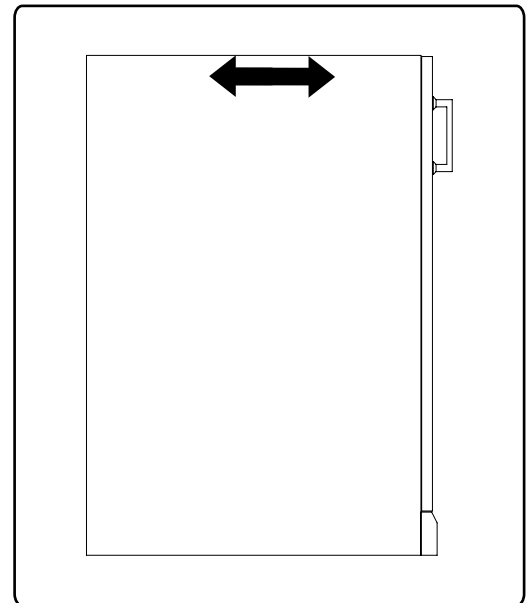
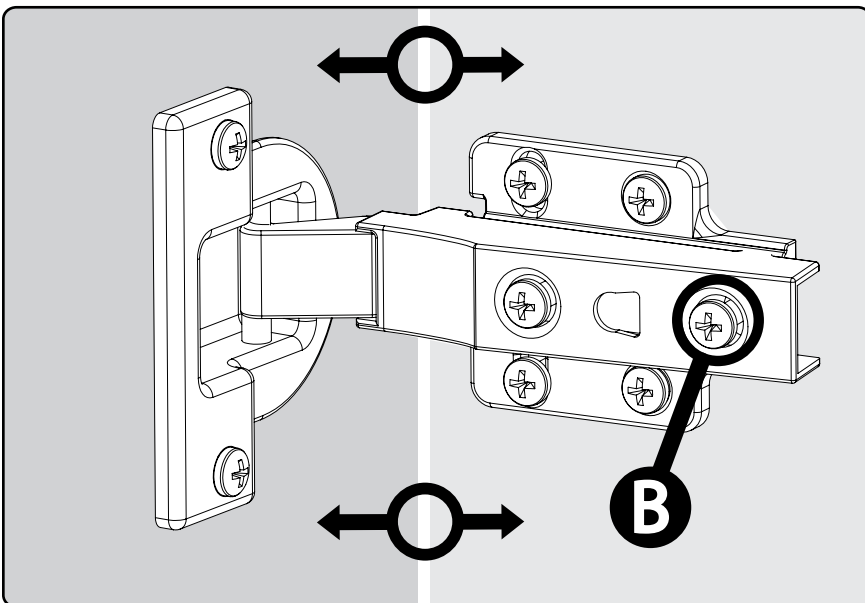
# Adjusting The Door Hinges

Using a Philips screwdriver, the doors can be adjusted:  
Left, right, forwards and backwards.

**18** To adjust the doors left or right, turn the screw (A) clockwise or counterclockwise.



**19** To adjust the gap between the doors and frame, turn the screw (B) clockwise or counterclockwise.



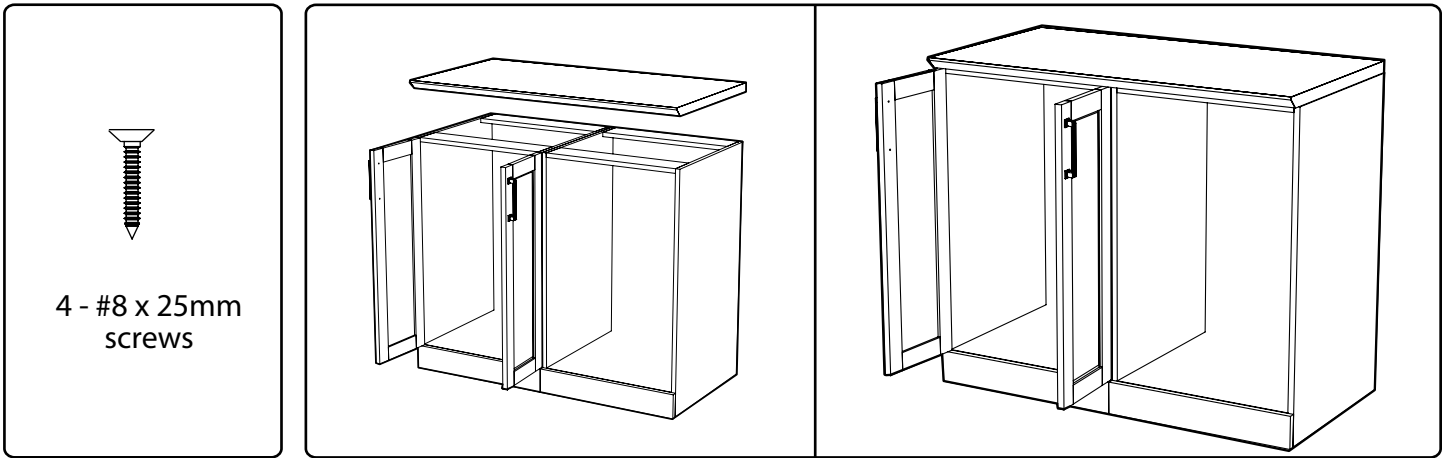
**Thank you for purchasing a NewAge Product!**

Please give us a call or visit online if you have any questions.

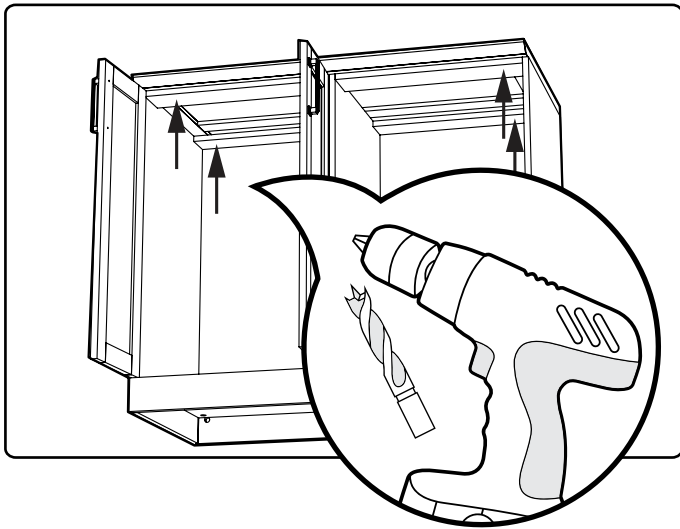
Call 1.877.306.8930; for UK 0800.031.4069; e-mail at [info@newageproducts.com](mailto:info@newageproducts.com)

# Mounting the Worktop

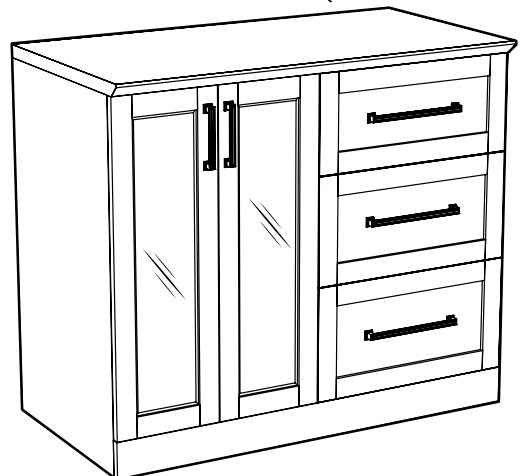
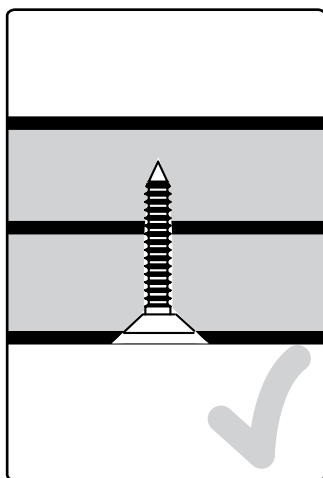
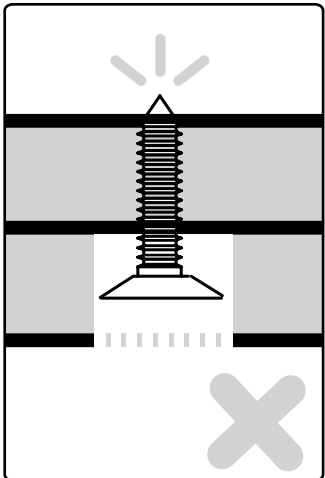
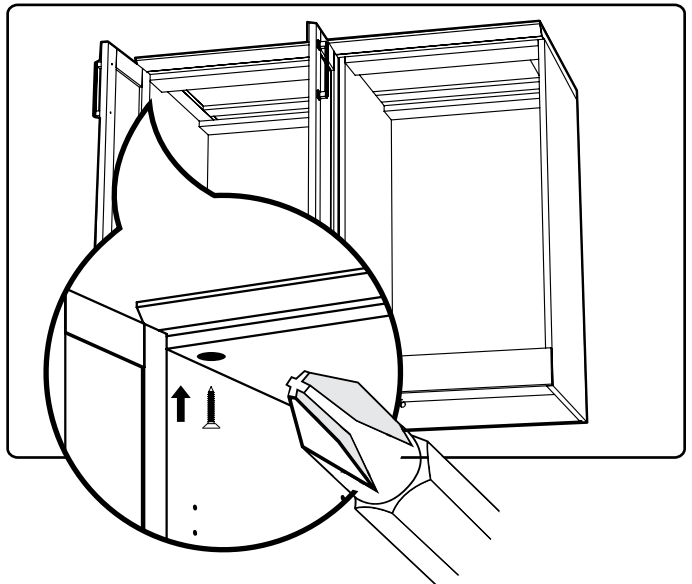
**13** Place worktop over cabinets and lower onto cabinets.



**14** Drill 4, 3/32" pilot holes on interior roof of cabinet.

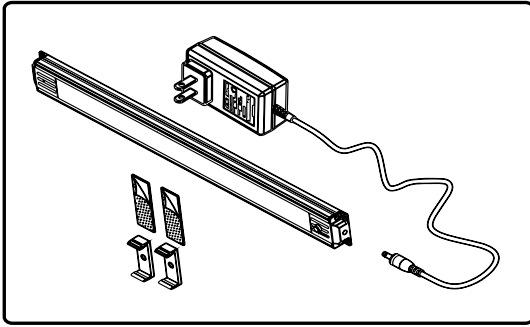


**15** Tighten screws to secure cabinets.



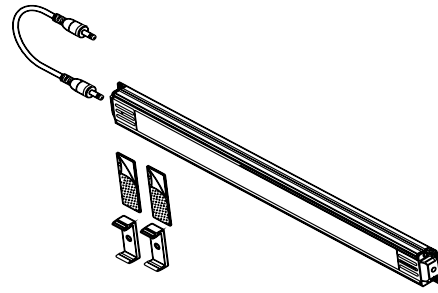


# LED Light Guide



**LED Light with power Adapter**  
**SKU# 60836/60838**

The adapter kit is used to connect to the electrical outlet, and contains the power on/off switch for the LED lights. It is used when one single light unit is needed or as the first light used when linking multiple light units together. It controls on/off power for all light units linked to it. Includes adapter, LED light, plastic clips, and double sided tape.



**LED Light with Connector wire**  
**SKU# 60837/60839**

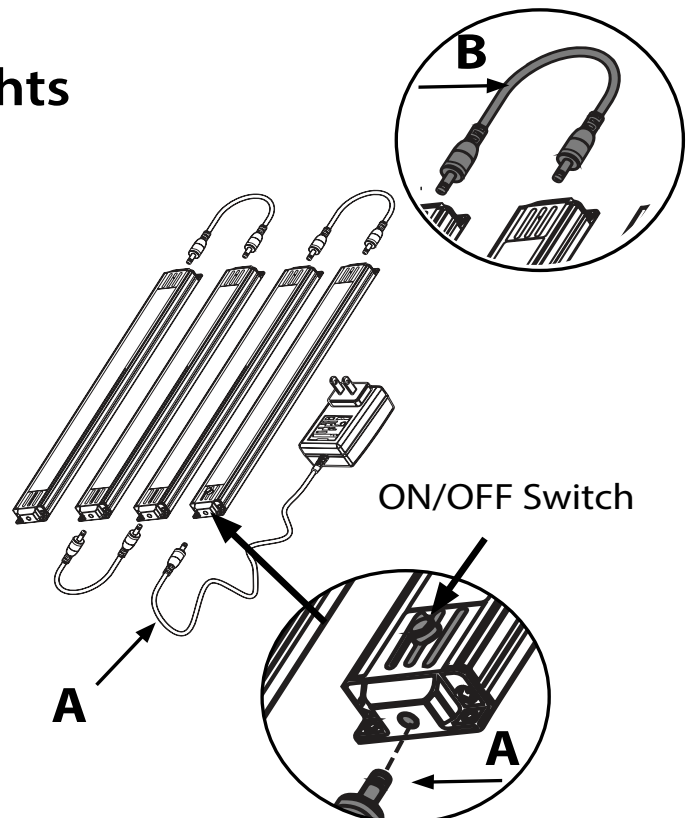
The connector kit is used when additional light units (up to 4) want to be linked together. It works in conjunction with and is controlled by the LED light with power adapter unit. Includes double sided tape and plastic clips.

## How to connect the LED Lights

For LED Lights to work correctly, the adapter cable (A) must connect to end with on/off switch, for LED Light to be operational. Use connector cords (B) to connect additional lights. Up to 4 LED lights can be connected to one Power adapter cord (A).

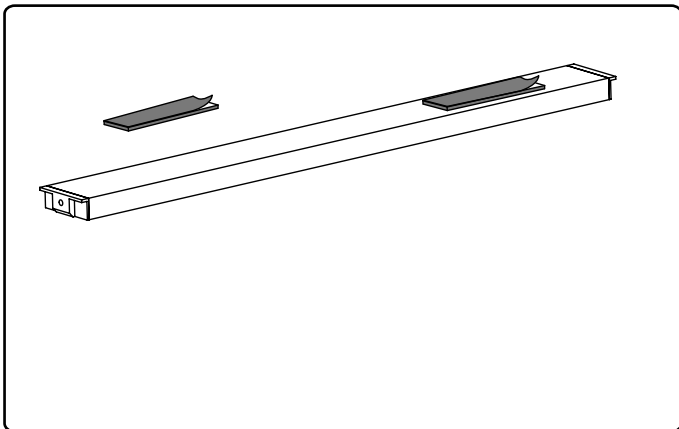
### NOTE: For Wall Switch Operation

If you are using a switch controlled power outlet to operate the LED Lights, the power adapter cord needs to plug into the end opposite the ON/OFF switch end.

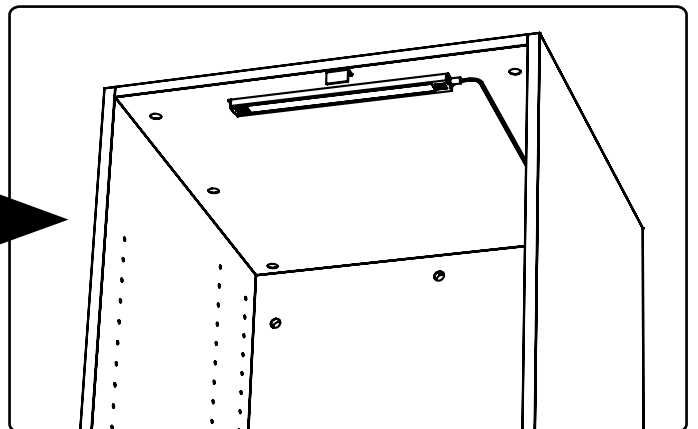
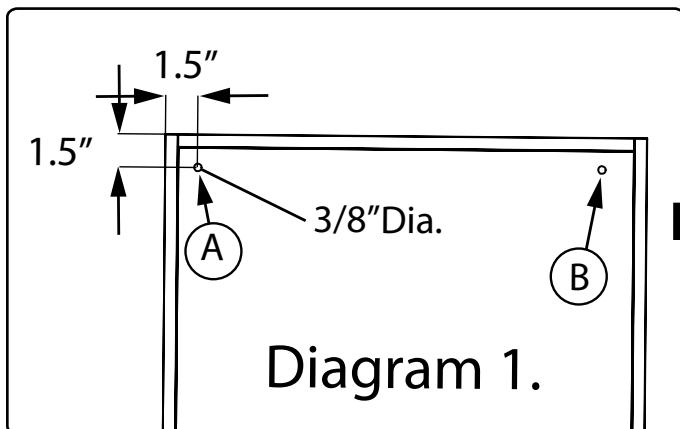


# Installing LED Lights for Display Cabinets

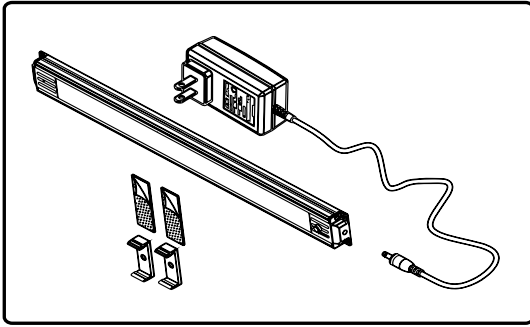
- 1** Method 1. Using double sided tape provided. Attach double sided tape to back of LED light bar. Peel backing off.



- 2** For bottom Display cabinet drill holes on back panel following Diagram 1. The hole can be placed on either side of cabinet at point A. or B., depending on outlet location. Using installation method from Steps 2 or 5 above center and install LED light 3 - 4 inches in from front.

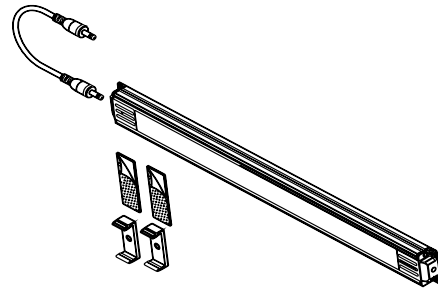


# LED Light Guide



**LED Light with power Adapter**  
**SKU# 60836/60838**

The adapter kit is used to connect to the electrical outlet, and contains the power on/off switch for the LED lights. It is used when one single light unit is needed or as the first light used when linking multiple light units together. It controls on/off power for all light units linked to it. Includes adapter, LED light, plastic clips, and double sided tape.



**LED Light with Connector wire**  
**SKU# 60837/60839**

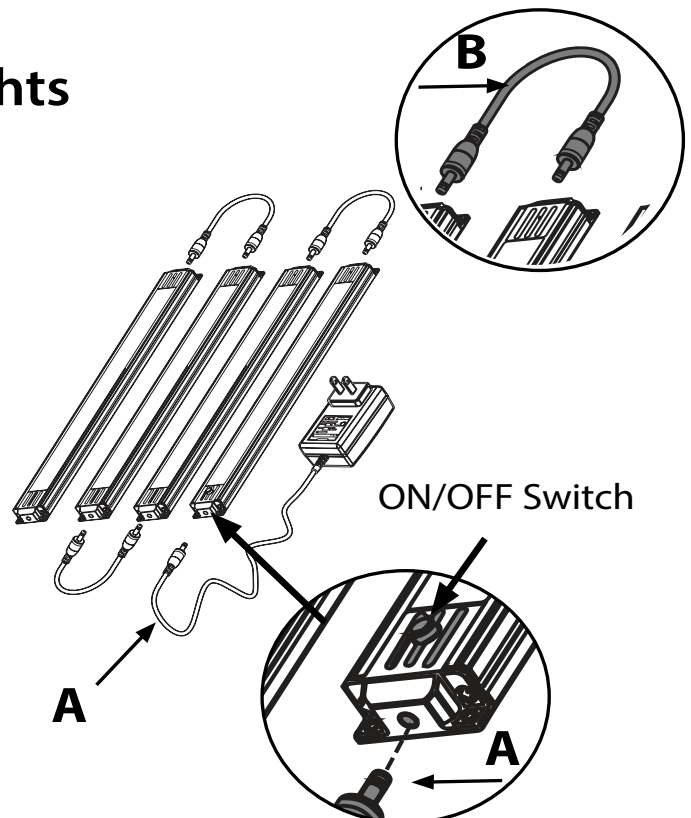
The connector kit is used when additional light units (up to 4) want to be linked together. It works in conjunction with and is controlled by the LED light with power adapter unit. Includes double sided tape and plastic clips.

## How to connect the LED Lights

For LED Lights to work correctly, the adapter cable (A) must connect to end with on/off switch, for LED Light to be operational. Use connector cords (B) to connect additional lights. Up to 4 LED lights can be connected to one Power adapter cord (A).

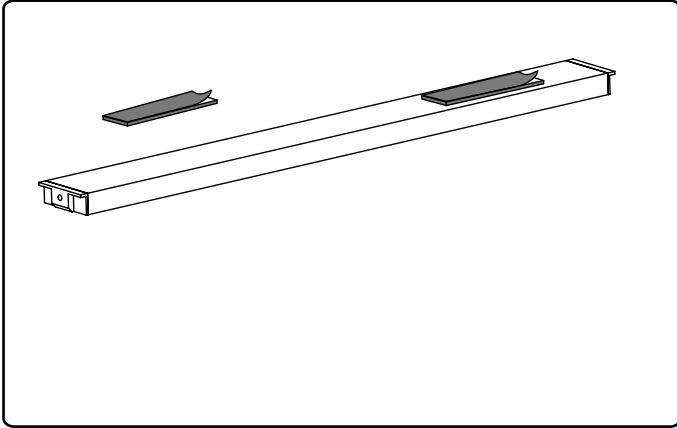
### NOTE: For Wall Switch Operation

If you are using a switch controlled power outlet to operate the LED Lights, the power adapter cord needs to plug into the end opposite the ON/OFF switch end.

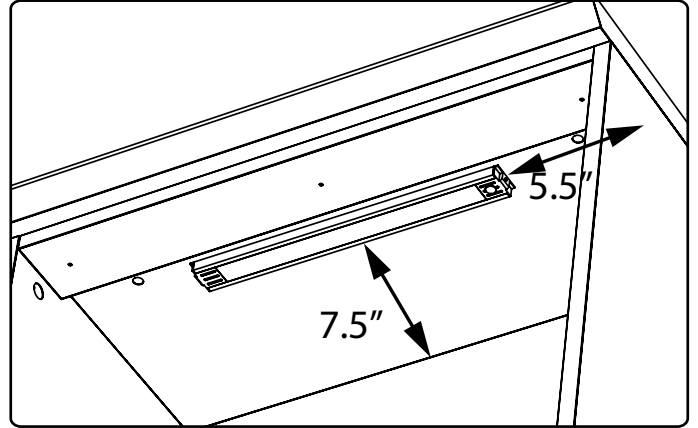


# Installing LED Lights for Wall Cabinets

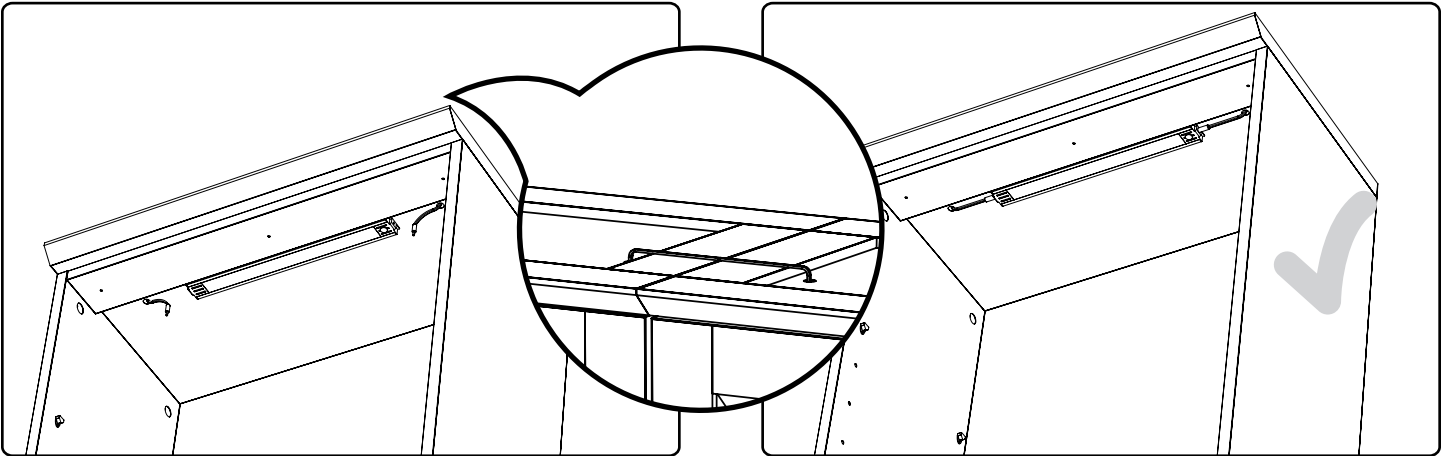
- 1** Method 1. Using double sided tape provided. Attach double sided tape to back of LED light bar. Peel backing off.



- 2** Center and press firmly 5.5", in from walls and 7.5", in from back wall.



- 3** Feed connector cable through pre-drilled holes on tops of cabinet and connect at ends of LED light strips.

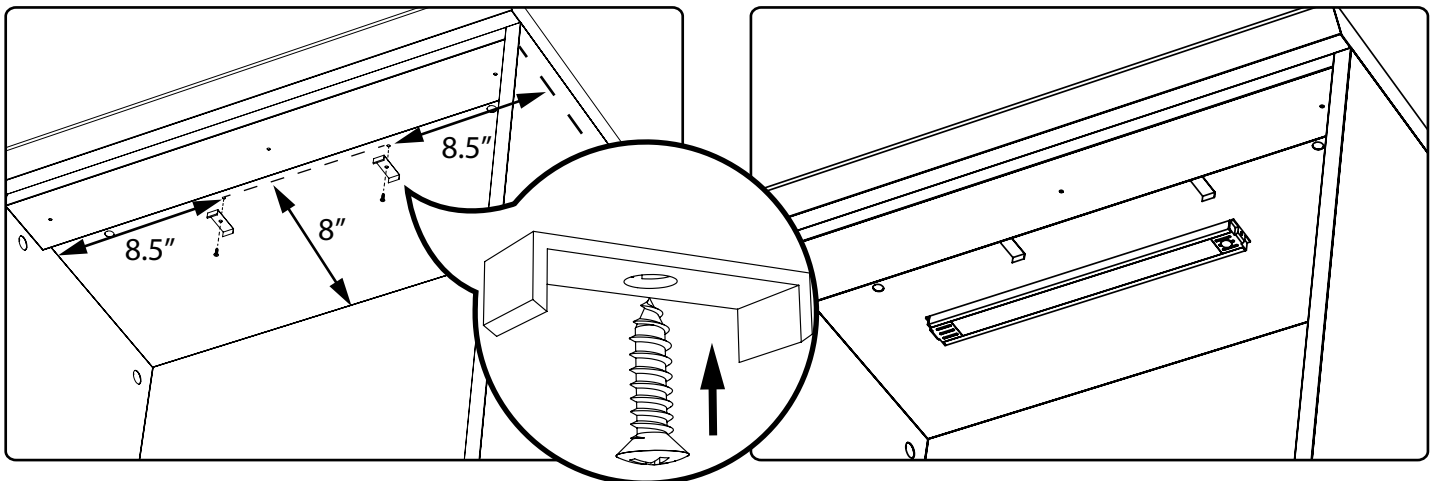


## Installing LED Lights for Wall Cabinets cont.

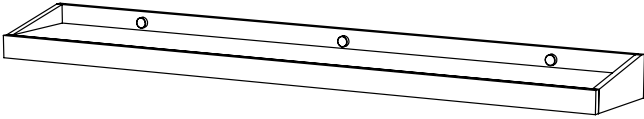
**Method 2. Using clips provided.**

- 4** Predrill 3/32 holes, 8.5" in from side walls and 8" in from back wall. Attach clips using screws included in packaging.

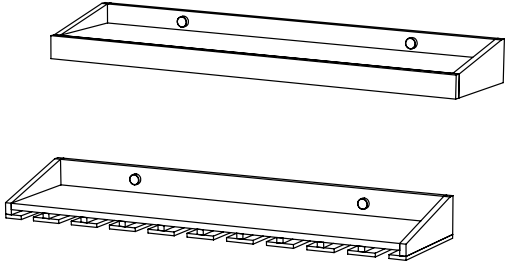
- 5** Clip LED light strip into clips. Return to Step 4. for connecting light string.



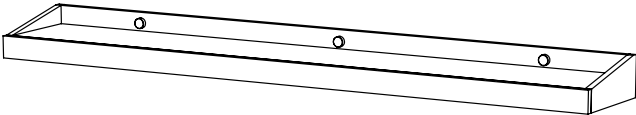
**63" Shelf**



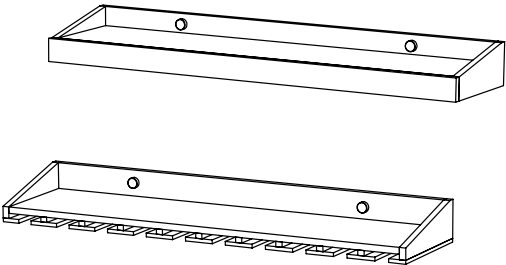
**42" Shelves**



**72" Shelf**



**48" Shelves**



# HOME BAR SHELF SYSTEM

---



**WARNING:**

Use two or more people to move, assemble or install the shelf system to avoid back or other injury. Follow instructions carefully and routinely inspect your system to ensure all components are fastened securely.

For assistance, call 1.877.306.8930; for U.K 0800.031.4069; e-mail at [info@newageproducts.com](mailto:info@newageproducts.com).



**ATTENTION:**

Is your product damaged?  
Need help or spare parts? For fastest service, contact NewAge Products at 1-877-306-8930; for U.K 0800-031-4069 or [support@newageproducts.com](mailto:support@newageproducts.com).  
Do not return to the retailer.

# Index

[Tools Needed/ Weight Capacity](#) 3

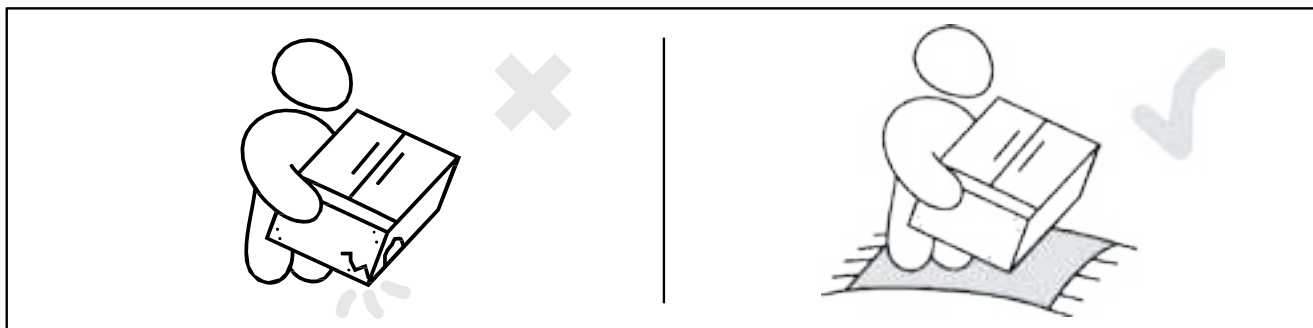
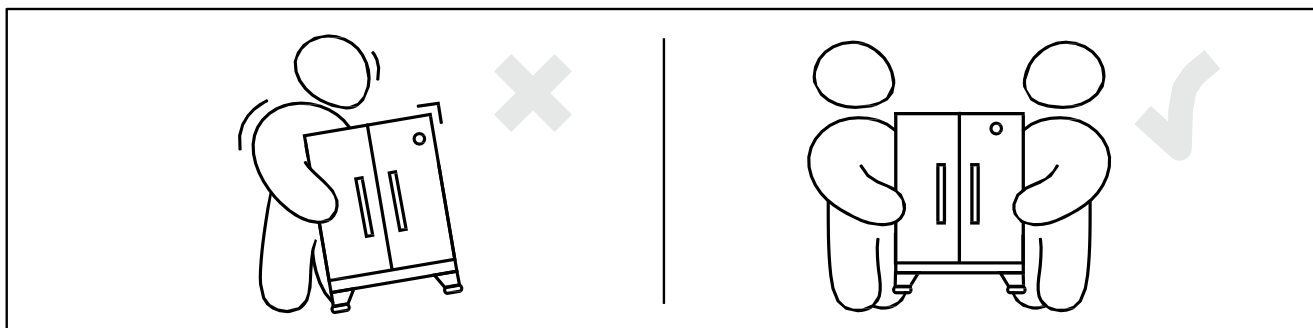
[Warranty](#) 4

[Parts Supplied](#) 5

[Installing Shelf System to drywall](#) 6-7

## Unpacking

- Begin by placing the package on a covered flat surface.
- Remove all cardboard, foam packaging material and clear plastic bags.
- Dispose / recycle all packaging materials.
- Verify all the contents in the box and gather the required tools. See “Tools Needed”, and “Parts Supplied” list.

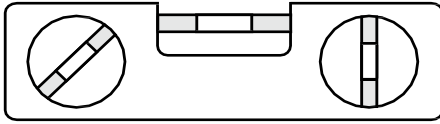


**Thank you for purchasing a NewAge Product!**

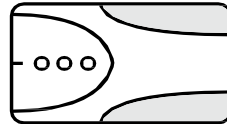
Please give us a call or visit online if you have any questions.

Call 1.877.306.8930; for UK 0800.031.4069; e-mail at [info@newageproducts.com](mailto:info@newageproducts.com)

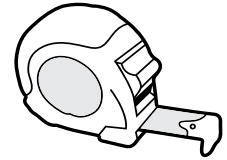
# Tools Needed



**1 x 24"-48" Level**



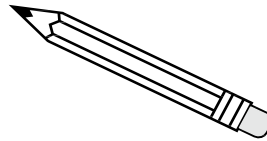
**1 x Stud Finder**



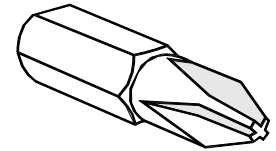
**1 x Tape Measure**



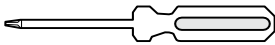
**1 x Cordless Power Drill**



**1 x Pencil**



**1 x #2 Phillips Bit**



**1 x #2 Phillips head screwdriver**

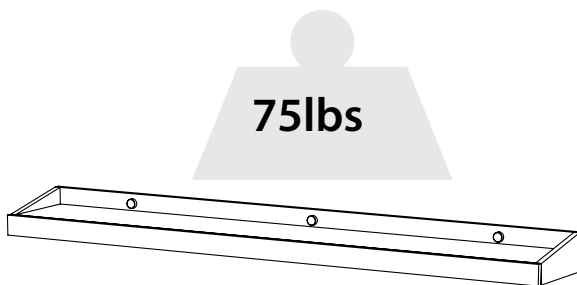


**1 x 3 mm or 1/8" Drill Bit**

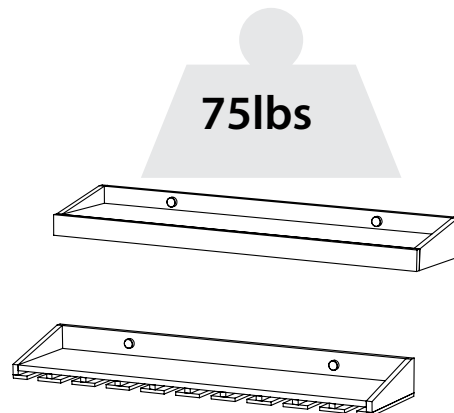


**1 x 2.5mm or 3/32" drill bit**

# Weight Capacity



**For 63" and 72" shelves**



**For 42" and 48" shelves**

# Parts Supplied

	42" Floating Shelf	42" Floating Wine Glass Shelf	63" Floating Shelf	48" Floating Shelf	48" Floating Wine Glass Shelf	72" Floating Shelf
Shelf	1	1	1	1	1	1
Lag Screws (6mm x 55mm)	2	2	3	2	2	3
Threaded Washers	2	2	3	2	2	3
Threaded screw cover	2	2	3	2	2	3



Lag Screw



Threaded Screw Cover



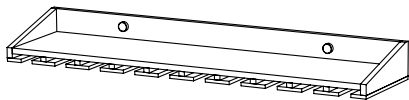
Threaded Washer

## 42" Shelf System

42" Floating Shelf

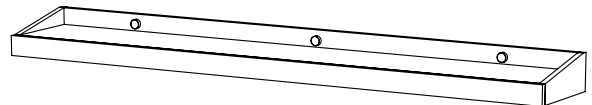


42" Floating Wine Glass Shelf



## 63" Shelf System

63" Floating Shelf

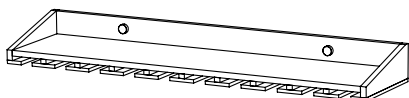


## 48" Shelf System

48" Floating Shelf

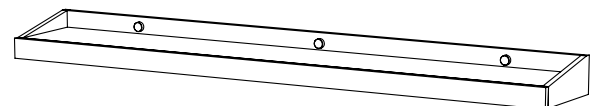


48" Floating Wine Glass Shelf



## 72" Shelf System

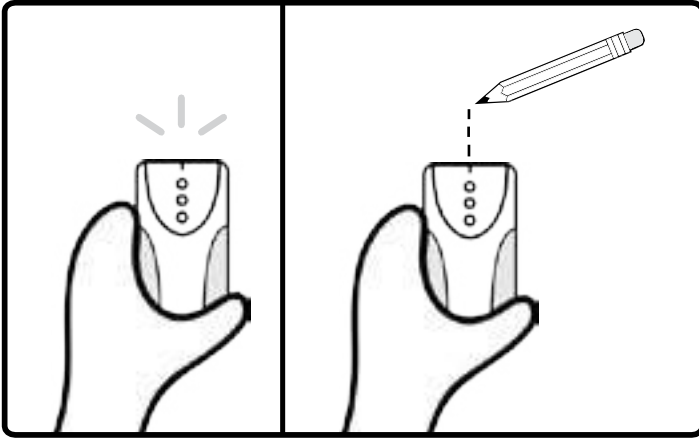
72" Floating Shelf



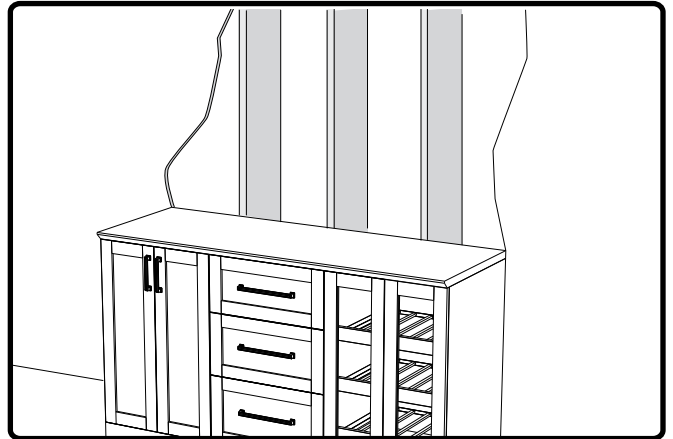


# Fastening the Shelf System to drywall

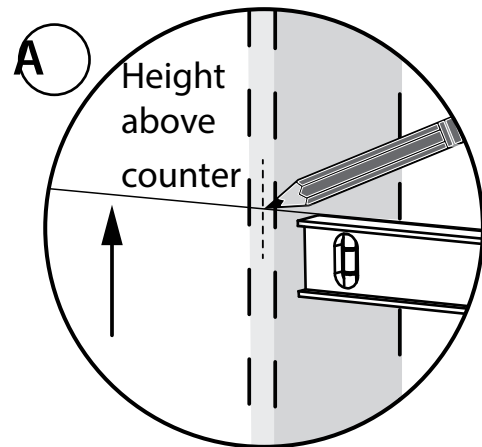
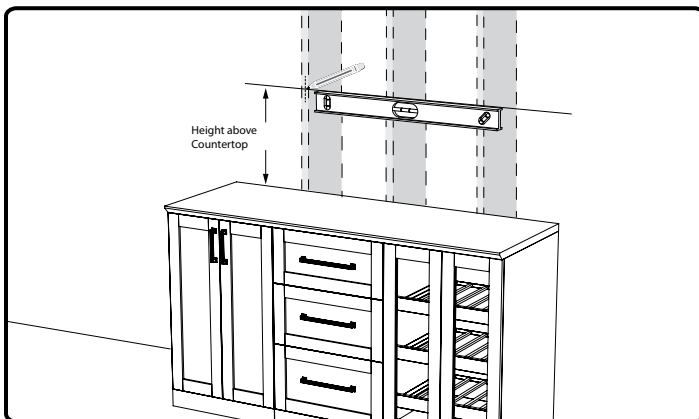
- 1** Use stud finder to locate the studs and mark the wall with a pencil.



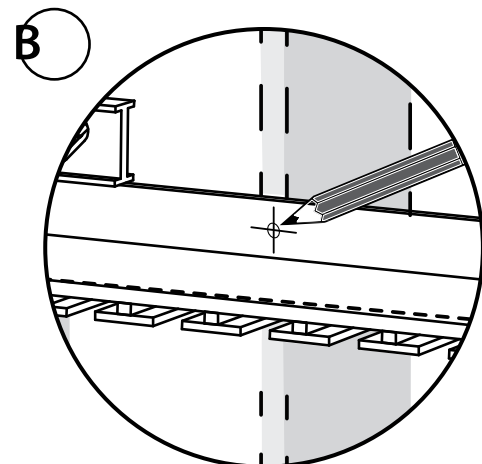
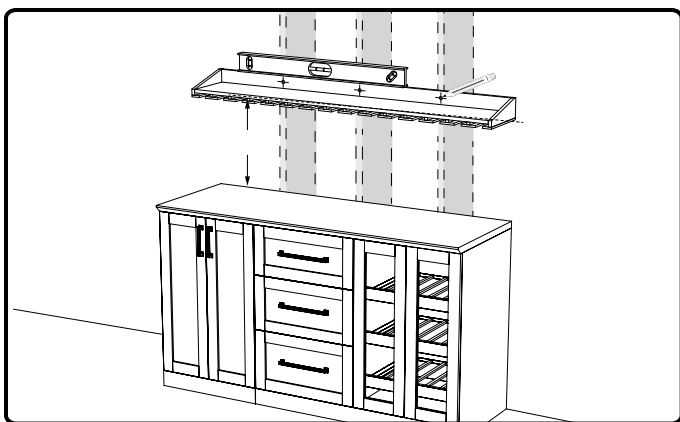
- 2** The shelf system must be secured to wall studs.



- 3** Begin by measuring up from the countertop to the desired height of the shelf position. Using a level, mark a horizontal line. Mark a vertical line centered on each stud perpendicular to the horizontal pencil line. Diagram (A).

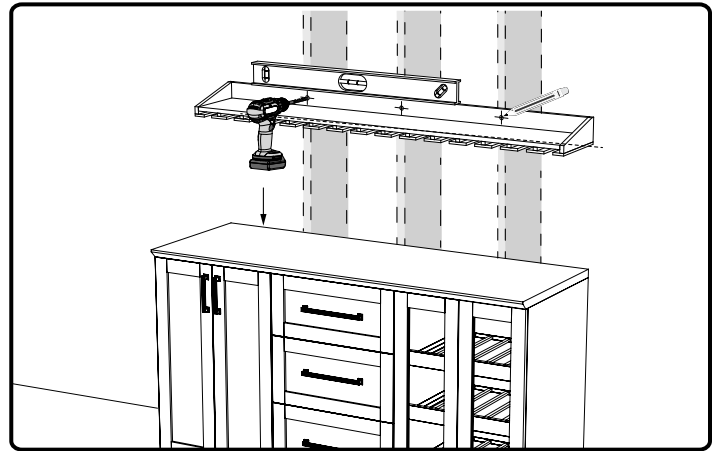
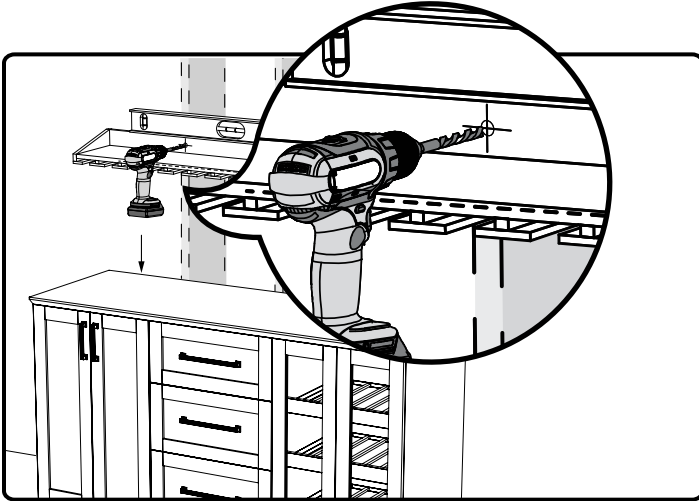


- 4** With the shelf held in place, ensure it is level and transfer the line marks from the wall to the shelf (B).



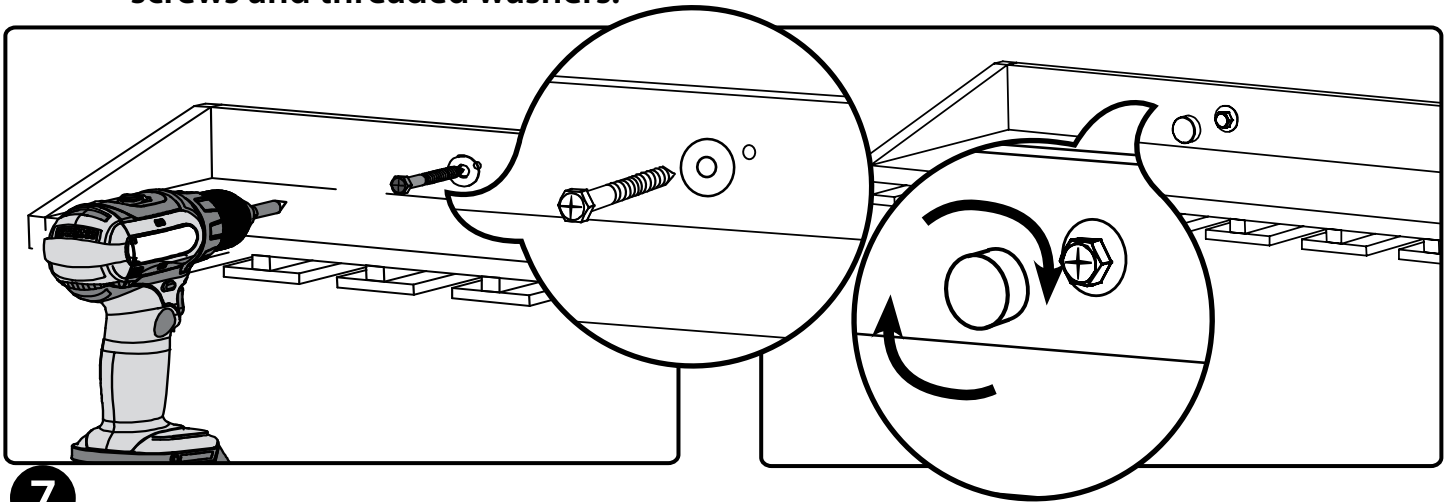
# Fastening the Shelf System to drywall

- 5** Using a  $\frac{1}{4}$ " drill bit, pre-drill through the shelf backer and into the wall stud. The 63" length shelf must be fastened with minimum three lag screws, the 42" length shelf must be fastened with minimum 2 lag screws



- 6** Using a #2 Phillips head screwdriver fasten the shelf to the wall with lag screws and threaded washers.

- 7** Finish by screwing on the threaded screw head cover.



**7**

