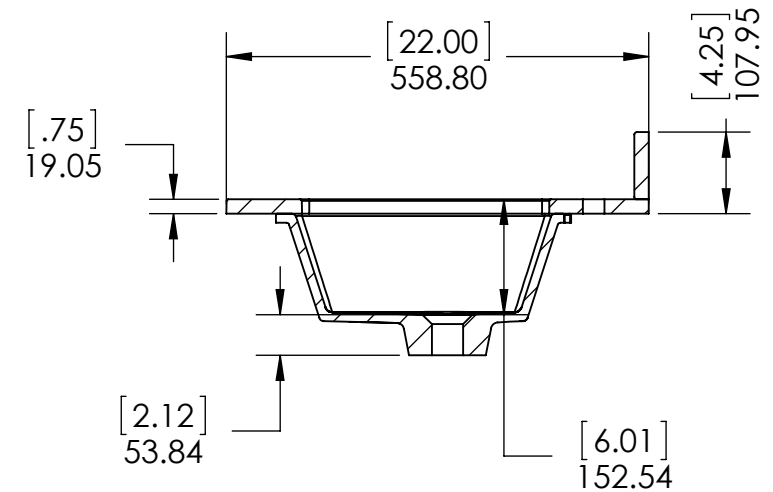
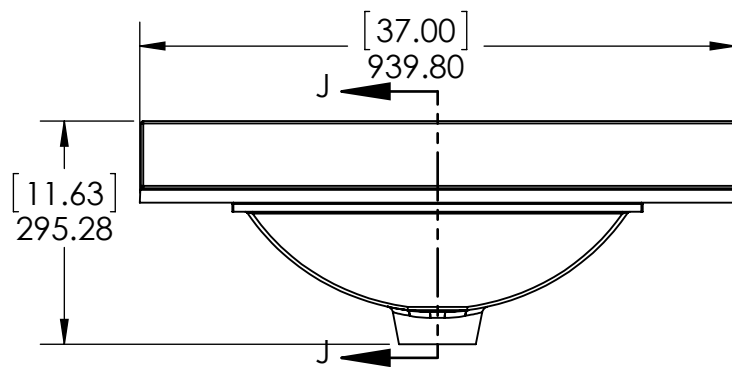
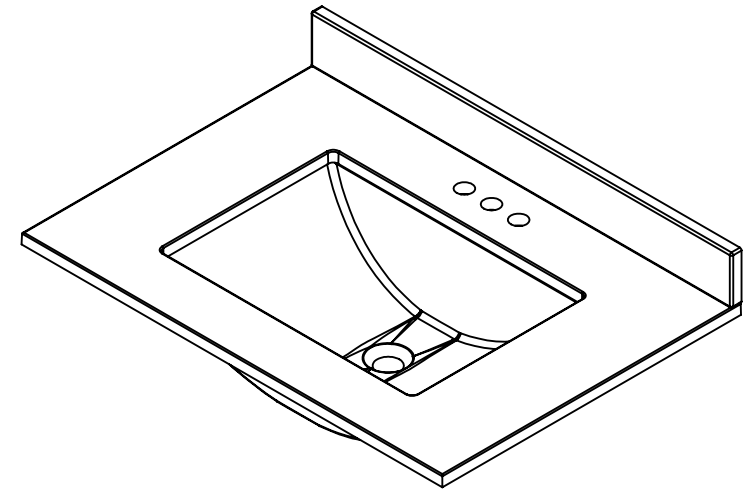
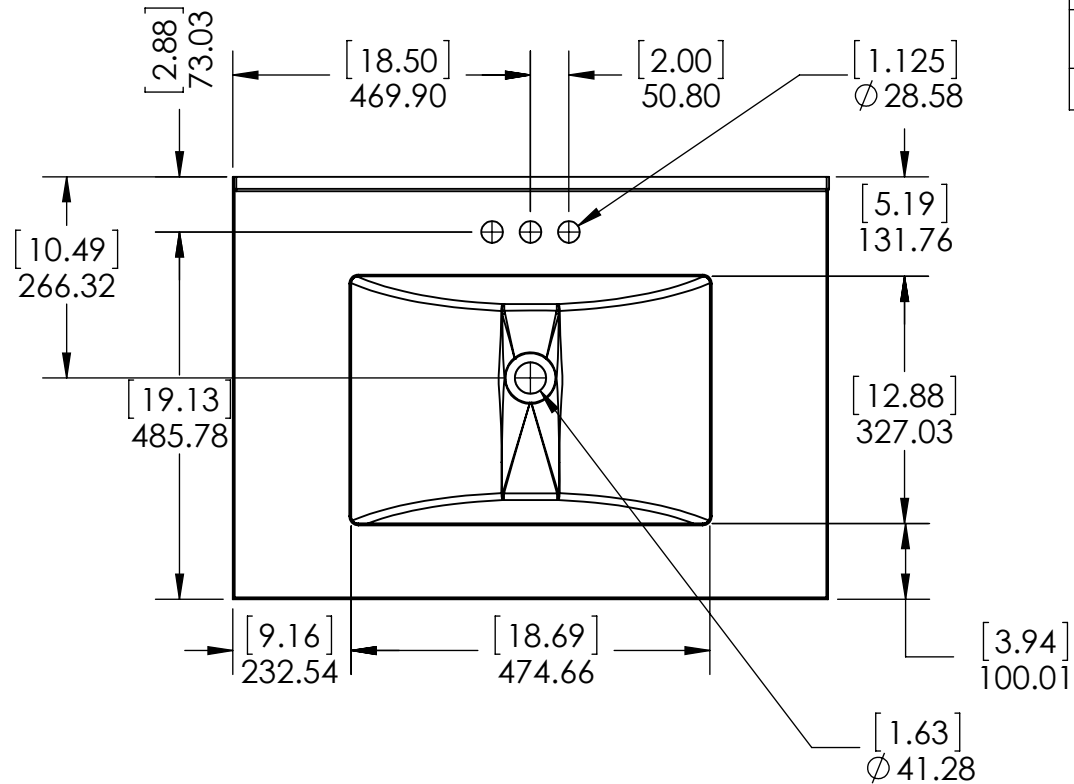


Rev #	Approved by	Change
0	R. Rubio	Released
1	O. Razo	New model added
2	R. Rubio	New Models Added



PROPRIETARY AND CONFIDENTIAL
 THE INFORMATION CONTAINED IN THIS DRAWING IS THE SOLE PROPERTY OF WOODCRAFTERS. ANY REPRODUCTION IN PART OR AS A WHOLE WITHOUT THE WRITTEN PERMISSION OF WOODCRAFTERS IS PROHIBITED.

UNLESS OTHERWISE SPECIFIED
 DIMENSIONS ARE IN MM. AND (INCHES)
 TOLERANCES ARE
 +0.125 [3.175] - 0.125 [-3.175]
 SCALE:1:10

	NAME	DATE
DRAWN	R. Rubio	08/22/16
CHECKED	R. Rubio	08/22/16
ENG APPR.	R. Rubio	08/22/16
MFG APPR.	C. Leal	08/22/16

Wood Crafters
 Vtop Stone Effect, Rect 37x22
 SHEET 1 OF 2
 REV: 2

ID	Description	Technology	Status
SERST37C OM-CO	37 in. Stone Effects Vanity Top in Cold Fusion with White Basin	Stone Effect	Approved for production
SER37-DN	37 in. Stone Effects Vanity Top in Dune with White Basin	Stone Effect	Approved for production
SER37-MI	37 in. Stone Effects Vanity Top in Mayan Ivory with White Basin	Stone Effect	Approved for production
SER37-RU	37 in. Stone Effects Vanity Top in Rustic Gold with White Basin	Stone Effect	Approved for production
SERST37- WM	Vtop SE Rect 37x22 Shark Tank -Winter Mist	Stone Effect	Approved for production
SE37R-PR	37 in. Stone Effects Vanity Top in Pulsar White Basin	Stone Effect	Approved for production
SE37R- MG	Vtop Rect 37x22 SE Mineral Gray 4in	Stone Effect	Approved for production
SE3722-LR	Vtop Rect 37x22in SE Lunar	Stone Effect	Approved for production
SE3722-RS	Vtop Rect 37x22in SE River Stone	Stone Effect	Approved for production

Rev #	Approved by	Change
0	R. Rubio	Released
1	O. Razo	New model added
2	R. Rubio	New Models Added

PROPRIETARY AND CONFIDENTIAL
THE INFORMATION CONTAINED IN THIS DRAWING IS THE SOLE PROPERTY OF WOODCRAFTERS. ANY REPRODUCTION IN PART OR AS A WHOLE WITHOUT THE WRITTEN PERMISSION OF WOODCRAFTERS IS PROHIBITED.

UNLESS OTHERWISE SPECIFIED
DIMENSIONS ARE IN MM. AND (INCHES)
TOLERANCES ARE
+ 0.125 [3.175] - 0.125 [-3.175]
SCALE:1:10

	NAME	DATE
DRAWN	R. Rubio	08/22/16
CHECKED	R. Rubio	08/22/16
ENG APPR.	R. Rubio	08/22/16
MFG APPR.	C. Leal	08/22/16

 Wood Crafters

SIZE DWG. NO. SHEET 2 OF 2
A Vtop Stone Effect, Rect 37x22 REV. 2