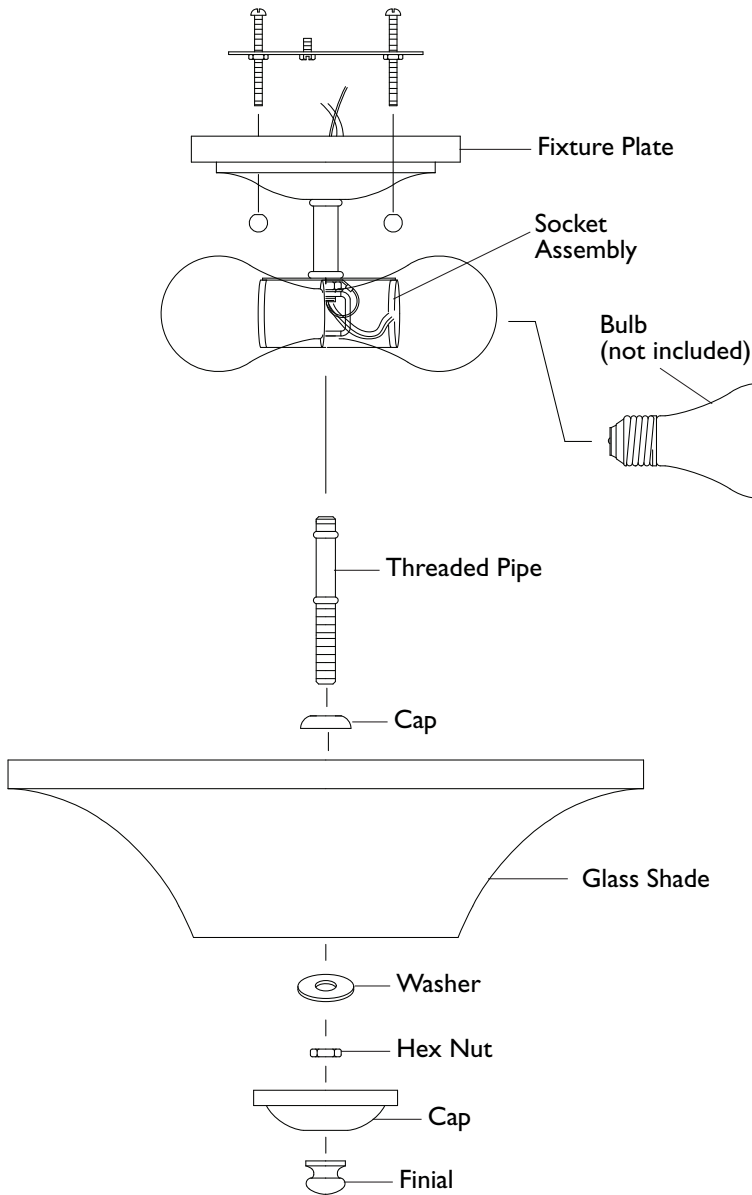


Assembly Instructions For

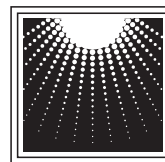
SF240 (E) 10/07



IMPORTANT TURN OFF THE POWER AT THE MAIN FUSE OR CIRCUIT BREAKER BOX BEFORE STARTING INSTALLATION

Carefully unpack and identify all parts before assembly.
Bulb not included.

1. Screw short threaded end of threaded pipe into coupler located at bottom of socket assembly. Note correct position of threaded pipe at illustration.
2. Follow enclosed "Multiple Standard Installation Instructions" for electrical and fixture installation onto ceiling outlet box.
3. Install bulbs (not included). See relamping label located at socket area for type and maximum allowed wattage.
4. Slide cap, open side facing down, and glass shade through the threaded pipe. Secure in position by fastening with a washer and a hex nut. Do not over tighten.
5. Slip cap and fasten finial onto threaded pipe.



**MURRAY
FEISS**

Generation Brands™