

Use and Care Guide

Item #204603407
Model #EH-WSHDI-002

3 Tier Commercial Cart



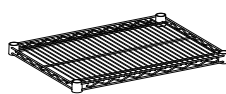
PACKAGE CONTENTS



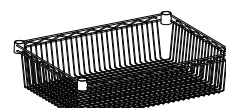
A-Tapered Sleeves x 28
Spare Plastic Tapered
Sleeves x 2



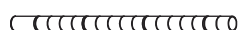
B-Wheel x 2
Wheel with lock x 2
Wrench x 1



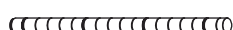
C-Shelf x 1



D-Basket x 2



E-Bottom poles with x 4



F-Top poles with x 4
& Caps Pre-installed x 4



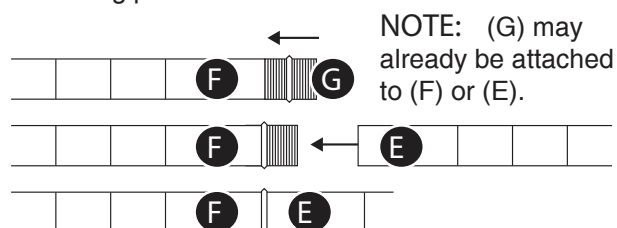
G-Threaded connector x 4



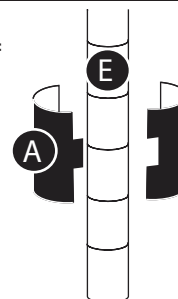
H-Handle x 1

Assembly

STEP 1. Connect top pole (F) to bottom pole (E) by threading connector (G) into open end of the poles (there is a small ridge in the middle of part (G) to gauge the distance). Repeat step 1 for remaining poles.



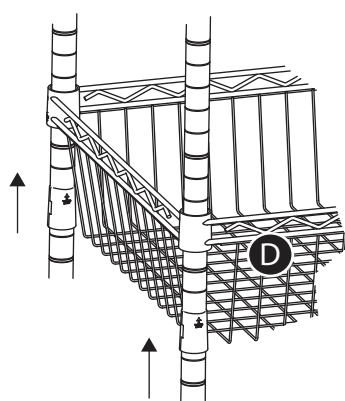
STEP 2. Starting at the bottom of each assembled pole (E&F), snap two sleeves (A) onto poles at desired intervals. The sleeves are marked with a directional arrow to show proper placement. Use grooves on poles to ensure even shelf placement among the four poles.



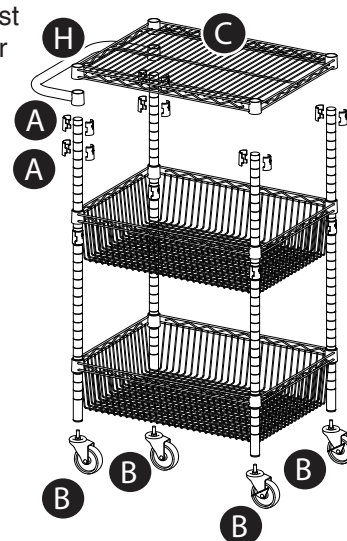
NOTE: Place only enough sleeves to assemble bottom shelf. This step will be repeated for each additional shelf and handle.

NOTE: The bottom of the pole (E) is the end with the small threaded hole for the wheel.

STEP 3. Slide poles through basket shelf corners until basket shelf (D) rests firmly on sleeves. Push or gently tap the shelf down at corners to level shelf. Repeat steps 2 and 3 for middle basket shelf.



STEP 4. Repeating step 2, put two more sets of sleeves (A) where you want the handle (H). Slide handle (H) over poles to rest on the sleeves. Repeat step 2 for and instal top shelf (C). Insert wheels (B) and tighten using provided wrench (B).



Safety Information

- Two adults are recommended for ease of assembly. Use care when handling.
- Assembly recommended on a soft surface, such as carpet, to avoid scratching flooring finish.
- Discard the black circular plastic pieces. These are used to separate the shelves for shipping purposes.



CAUTION: Do not allow children to climb or play in or around the shelves.



CAUTION: Each shelf holds up to 200 lbs, each basket holds up to 100 lbs, evenly distributed. Static load total 400 lbs with wheels. Do not overload.

