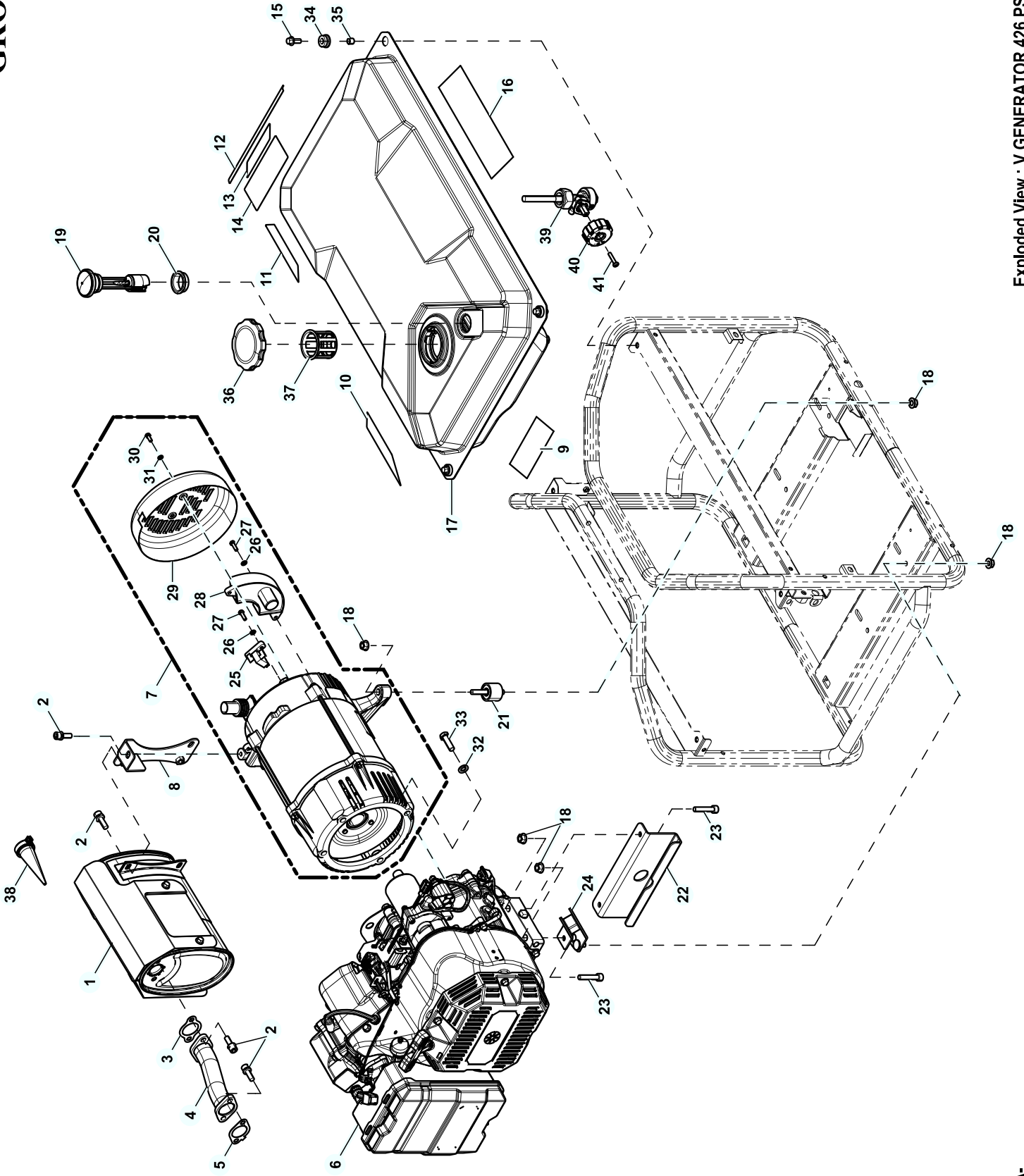
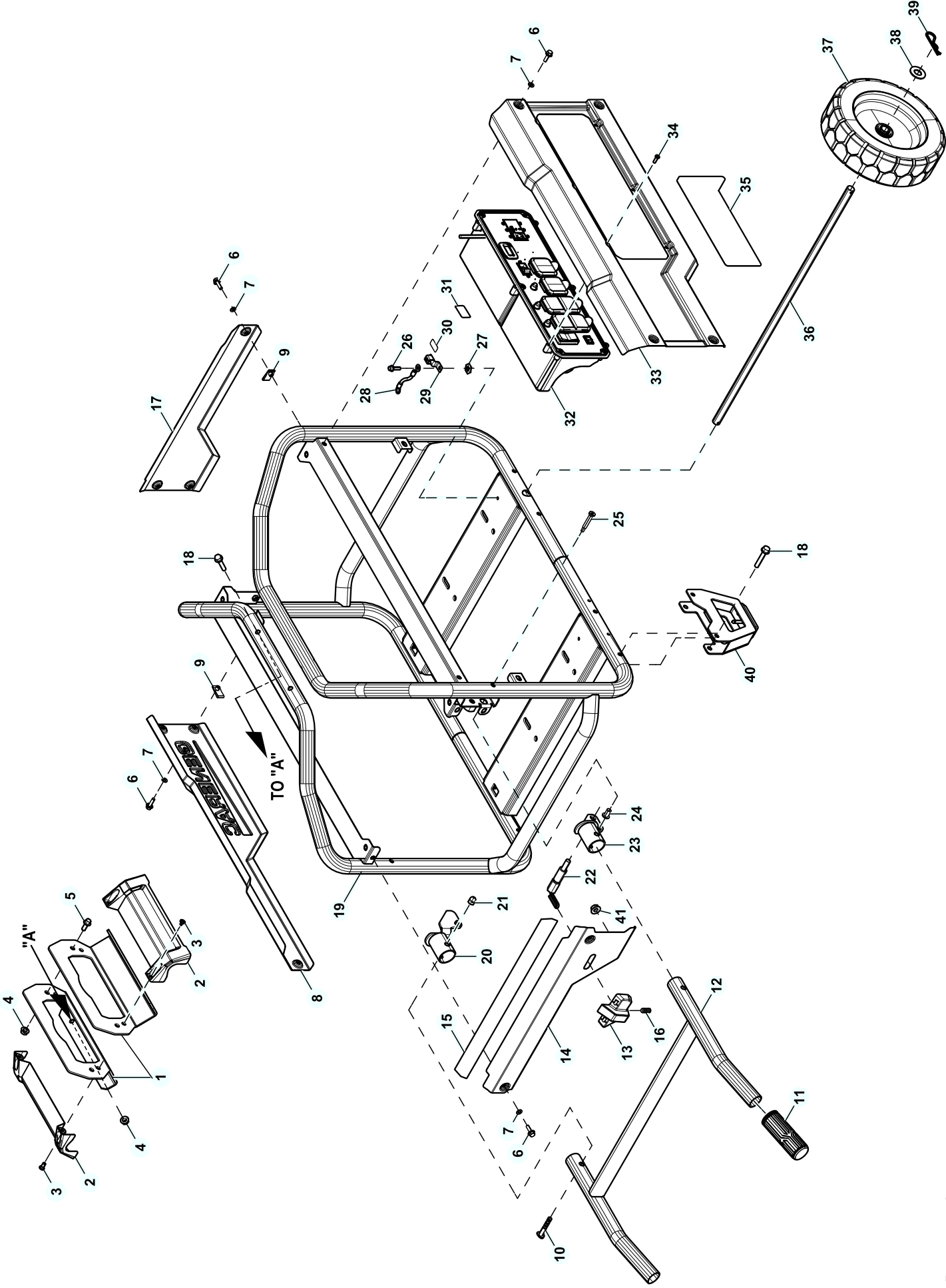


GROUP EV



GROUP EV



Exploded View : EV GENERATOR 426 PS PORT XC
 Drawing No. : 1000005845

ITEM	PART#	QTY.	DESCRIPTION
PAGE 1			
1	10000008370	1	MUFFLER GTH530 W/SA
2	0G3730B	8	SCREW SHC M8-1.25 X 25 G8.8 SEMS
3	0C4138	1	GASKET EXHAUST PORT
4	10000002976	1	MANIFOLD EXHAUST 426CC 166MM
5	0L2391	1	GASKET EXHAUST 426
6	0L4980	1	ENGINE GH426 XP PULL 49ST
7	0L3297	1	ALT 6500W CU-AL BRUSH TYPE
8	10000000245	1	BRACKET MUFFLER XC
9	10000003425	1	DECAL FUEL OVERFLOW PRO SERIES
10	0L5761	1	DECAL DATA PLATE FUEL TANK XP
11	0L5761A	1	DECAL BLANK PLATE FUEL TANK XP
12	0H0116B	1	DECAL WARN HOT EXHAUST
13	0H4635B	1	DECAL DANGER & SAFETY RUS
14	0H9004	1	DECAL LIFT WARNING XP PORT
15	0G5445	4	SCREW HHTT M8-1.25 X 20
16	0H8250	1	DECAL CO WARNING 3L PRODC T HOR
17	0L0207	1	FUEL TNK 9 GAL ASSY
18	067989	13	NUT HEX FL WHIZ M8-1.25
19	0H7520	1	FUEL GAUGE,ROUND 6 LONG
20	0H7521	1	GROMMET FUEL GAUGE ROUND
21	0H2043	2	VIB MOUNT 35 X 12 X M8-1.25
22	10000003289	1	ST03 BRACKET ENGINE MOUNT XP
23	081990	4	SCREW SHC M8-1.25 X 40 C8.8
24	084508A	2	VIBRATION MNT 45 ANGLE 65 DURO
25	0H0919	1	ASSEMBLY,BRUSH VISION
26	G051713	4	WASHER FLAT M5
27	G049815	4	SCREW HHC M5-0.8 X 16 G8.8
28	0H2579B	1	AVR 5.5-7.5KW VISION ALT
29	0H3049	1	COVER ALTERNATOR INLET 5-7KW
30	G052618	2	SCREW HHC M5-0.8 X 12 C8.8
31	G049226	2	WASHER LOCK M5
32	G046526	4	WASHER LOCK M10
33	G022511	4	SCREW HHC 3/8-16 X 1-1/4 G5
34	0H1411B	4	RUBBER MOUNT 10.3 ID X 11 HGT
35	0H1610A	4	ANTI-CRUSH 10.80D 9ID 10LG
36	0H0958A	1	ASSY GAS CAP SEALED - BLACK
37	0H1326	1	FILTER FUEL
38	10000004136	1	SPARK ARRESTOR
39	10000000680	1	VALVE FUEL SHUTOFF PRO SERIES
40	10000000650	1	KNOB FUEL VALVE TOUCH POINT PRO
41	0K9238	1	SCREW BFHSC M3-0.5 X 16 BLK ZP

PAGE 2

1	10000003248	2	ST15 LIFTING EYE XC
2	10000003291	2	ST03 LIFT EYE COVER XC
3	10000000188	2	BINDING POST ASSEMBLY #10-24 TH
4	0J9125	6	NUT HEX FL WHIZ M8-1.25
5	0G5445	2	SCREW HHTT M8-1.25 X 20
6	0K9233	12	SCREW HHFCS M6-1.0 X 20 G8.8
7	0J1321	12	WASHER FLAT M6 NYLON
8	10000003233	1	ST19 SKIRT LONG SIDE XP
9	10000001958	5	NUT CLIP-ON M6X1.0
10	0H1780B	2	CURVED HEAD M8-1.25 X 50MM LNG
11	10000003055	2	HANDLE GRIP PRO SERIES
12	10000007045	1	ST03 WELD HDL H-STYLE FOLD DOWN XC
13	10000004782	1	LATCH HANDLE XC
14	10000003454	1	ST19 SKIRT ENGINE SIDE XC
15	10000002475	1	DECAL QUICK START PRO SERIES
16	0A1718	1	SCREW SET M8-1.25 X 8
17	10000003241	1	ST0R SKIRT ALTERNATOR SIDE XC
18	0H1779	8	SCREW HHFC M8-1.25 X 45
19	10000007112	1	ST03 FRAME ONE-PIECE XC6500
20	10000003285	1	ST03 BRACKET HANDLE

EXPLODED VIEW: EV XC6500 0068230

DRAWING #: 10000005845

GROUP EV

ITEM	PART#	QTY.	DESCRIPTION
21	0H1782	2	CAP NUT M8-1.25 BLACK ZINC
22	0L5584	1	SPRING PLUNGER M16 X 2
23	10000003284	1	ST03 BRACKET HANDLE
24	10000000732	2	SPACER SHOULDER 5/16 ID NYLON
25	10000000187	2	BOLT SHOULDER LOW PROFILE M6X1.0
26	0G3110	1	SCREW HHTT M6-1.0 X 20 ZINC
27	0A1658	1	WASHER LOCK SPECIAL 1/4"
28	0742600194	1	GRND WIRE PORT BRG CARR-FRAME
29	055414	1	LUG SLDLSS #2-#8 X 17/64 CU
30	067210B	1	DECAL GROUND
31	097400	1	CSA HIPOT DECAL
32	10000000729	1	ASSY C-PNL XC6500
33	10000003245	1	ST19 SKIRT CONTROL PANEL SIDE XC
34	0K3130	6	SCREW PPPH M5-0.8 X 16 BZC
35	10000004597	1	DECAL BRAND C-PNL XC6500
36	0K8672	1	AXLE 15.87 DIA X 684 CLR ZINC
37	10000003228	2	WHEEL 10" DIA SKID PATTERN
38	022247	2	WASHER FLAT 5/8 ZINC
39	0H3443	2	COTTER HAIRPIN 2.56 X .80
40	10000010375	2	FOOT ASSEMBLY XC
41	0E8388	1	NUT HEX FL WHIZ M6-1.0