

TOTO®

CST412MF

Aquia® Close Coupled Toilet, 1.6GPF & 0.9GPF

FEATURES

- Dual-Max® flushing system, high-efficiency (1.6GPF/6.0LPF & 0.9GPF/3.4LPF)
- Elongated bowl
- Universal Height
- Close coupled, elongated front bowl and tank set, less toilet seat
- Chrome push-button
- 12" Rough-in

MODELS

- CST412MF

COMPONENTS

- CT412F - Elongated Front Bowl
- ST412M - Tank and Cover only
- SS204 SoftClose® seat (sold separately)
- SS114 SoftClose® seat (sold separately)

COLORS/FINISHES

- Standard
 - #01 Cotton
 - #03 Bone
 - #11 Colonial White
 - #12 Sedona Beige
 - #51 Ebony

PRODUCT SPECIFICATION

The two-piece, high-efficiency, Universal Height, Dual-Max flushing system toilet shall be 1.6GPF/0.9GPF. Toilet shall have high-profile tank, elongated front bowl and chrome push-button. Toilet shall be TOTO Model CST412MF_____.



D+ Dual-Max

CODES/STANDARDS

- Meets and exceeds ASME A112.19.2/CSA B45.1, ASME A112.19.14
- Certifications: IAPMO(cUPC®), EPA WaterSense, State of Massachusetts, and others
- Code compliance: UPC, IPC, NSPC, NPC Canada, and others
- Legislative compliance: California Green Building Code, City of Los Angeles Water Efficiency Ordinance, and others



CST412MF

Aquia® Close Coupled Toilet, 1.6GPF & 0.9 GPF

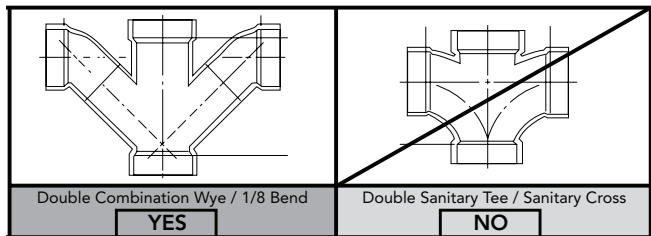
SPECIFICATIONS

- Water Use 1.6 GPF & 0.9GPF (6.0 LPF & 3.4LPF)
- Flush System Dual-Max
- Min. Water Pressure 8 psi (flowing)
- Water Surface 6" x 4-1/2"
- Trap Diameter 2-1/8"
- Rough-in 12"
- Trap Seal 2-1/8"
- Warranty One Year Limited Warranty
- Material Vitreous china
- Shipping Weight CT412F - 80lbs
ST412M - 30lbs
- Shipping Dimensions CT412F
30-3/4" L x 17-3/8" W x 20-1/2" H

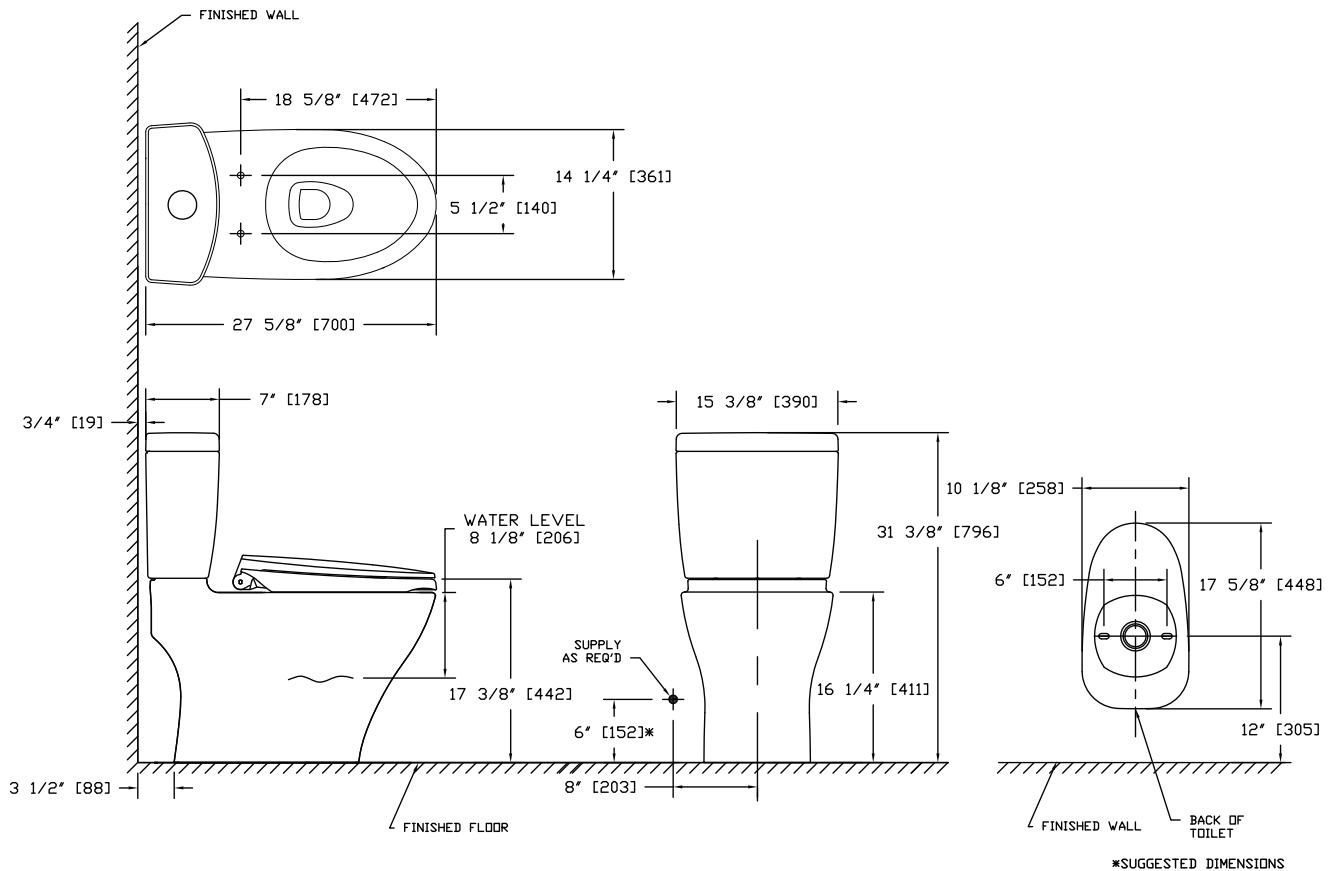
ST412M
17-1/4" L x 7-7/8" W x 17-1/2" H

INSTALLATION NOTES

Back-to-Back Toilet Installations:
TOTO recommends the use of a nationally listed, double sanitary tee-wye only, in vertical waste stacks, in accordance with the stipulations noted in the majority of nationally recognized plumbing codes.



To maintain adequate wall gap between the back of the tank and wall, mount the floor flange at a nominal 12" rough-in distance.



TOTO

These dimensions and specifications are subject to change without notice