

SOUTHLAND[®]

ILLUSTRATED PARTS BOOK

43cc Walk Behind Blower

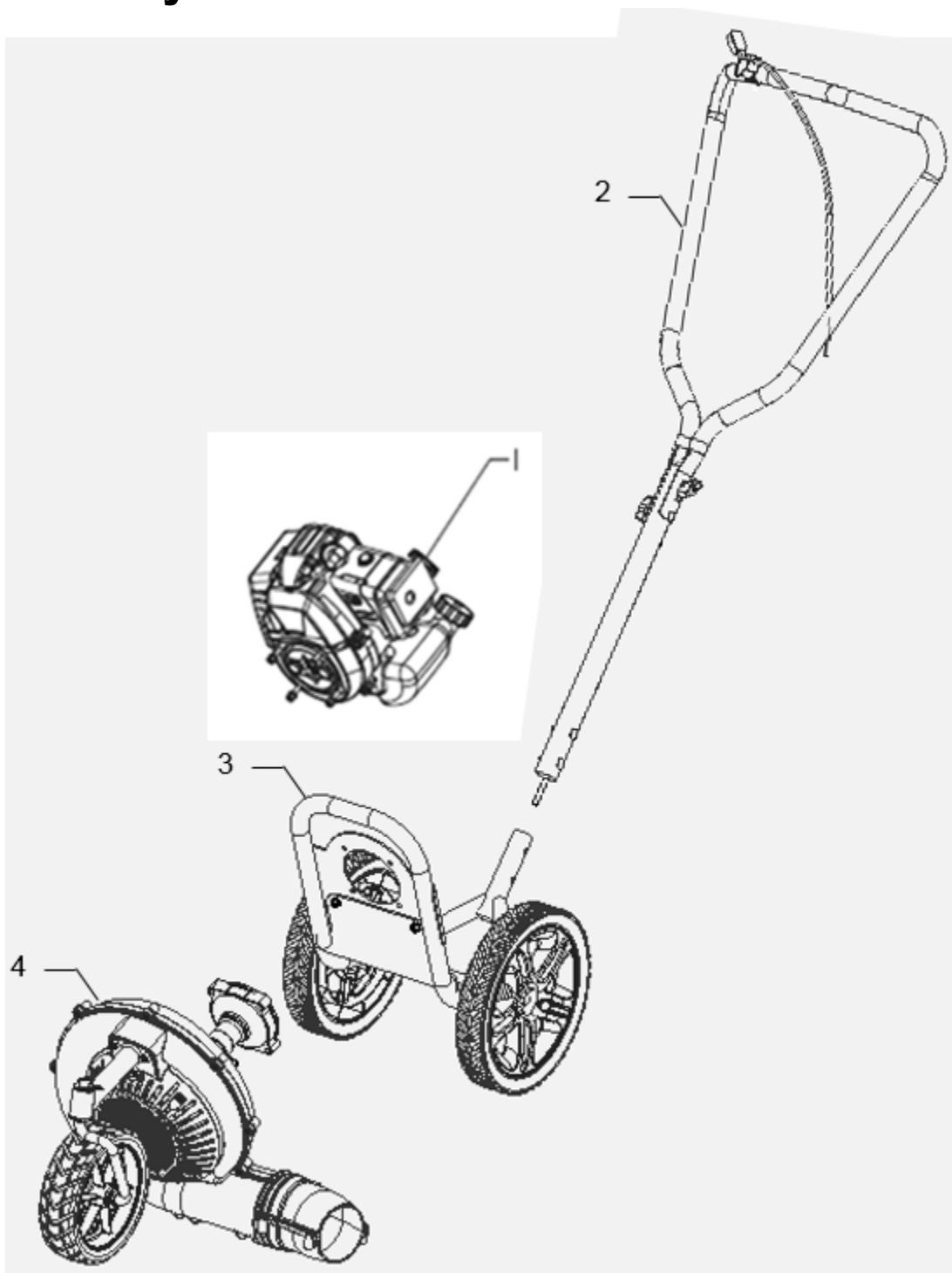
SWB43170



Table of Contents

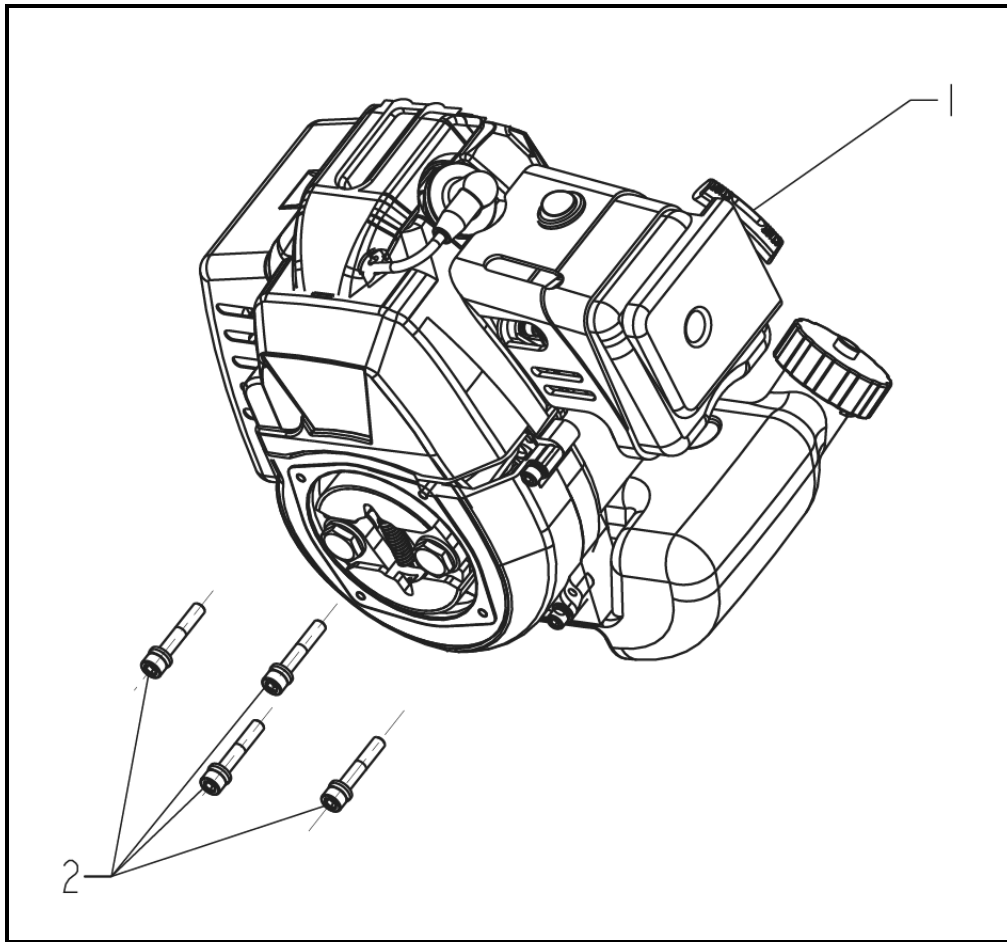
Unit Assembly	2
Engine-Top Level	3
Handle Assembly	4
Lower Weldment Assembly	5
Blower Assembly	6
Engine Sub-Assemblies:	
Air Filter Assembly	11
Carburetor Assembly	12
Muffler Assembly	13
Fuel Tank Assembly	14
Clutch Assembly	15
Recoil Starter Assembly	16
Cylinder Assembly	17
Ignition Assembly	18
Air Cooling Assembly	19
Decal Kit	20

Unit Assembly



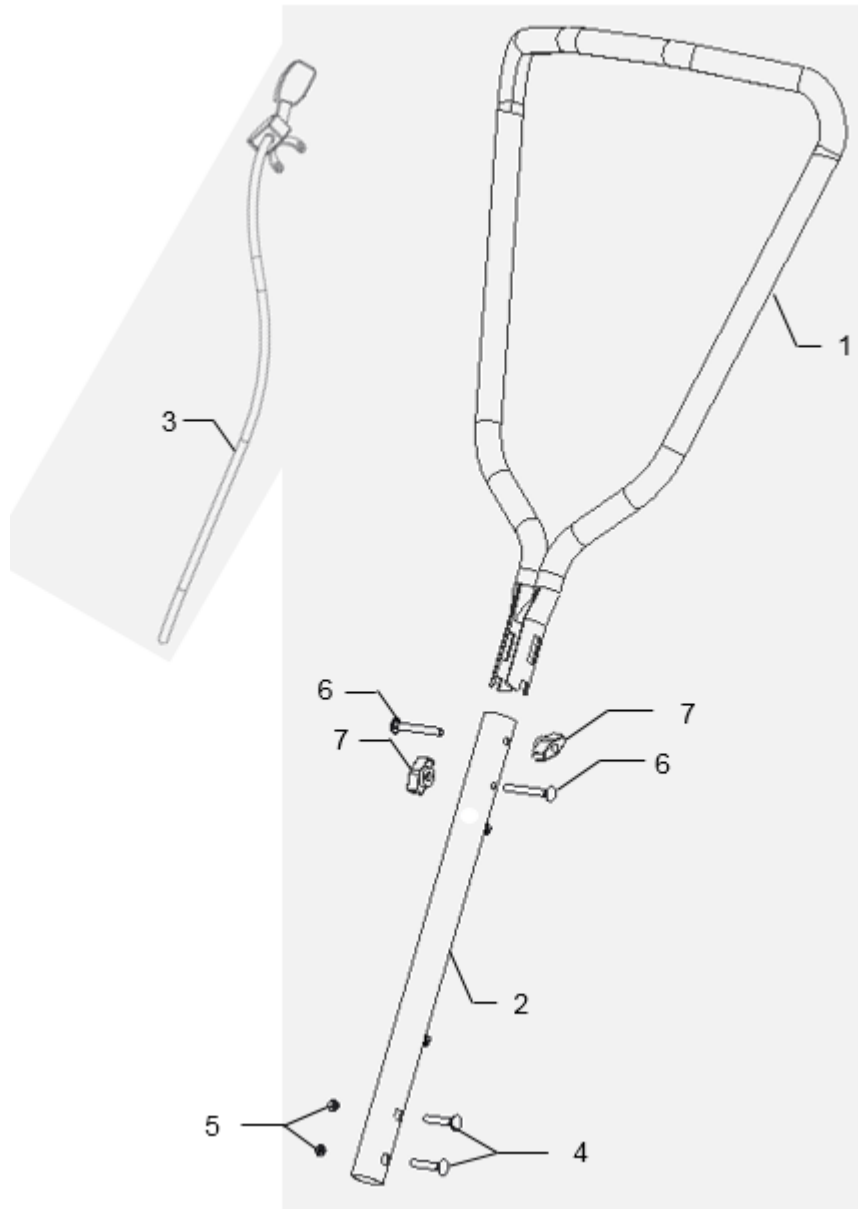
REF. NO.	DESCRIPTION	PART NO.	QTY
1	Engine-Top Level	See Page 3	1
2	Handle Assembly	See Page 4	1
3	Lower Weldment Assembly	See Page 5	1
4	Blower Assembly	See Page 6	1

Engine-Top Level



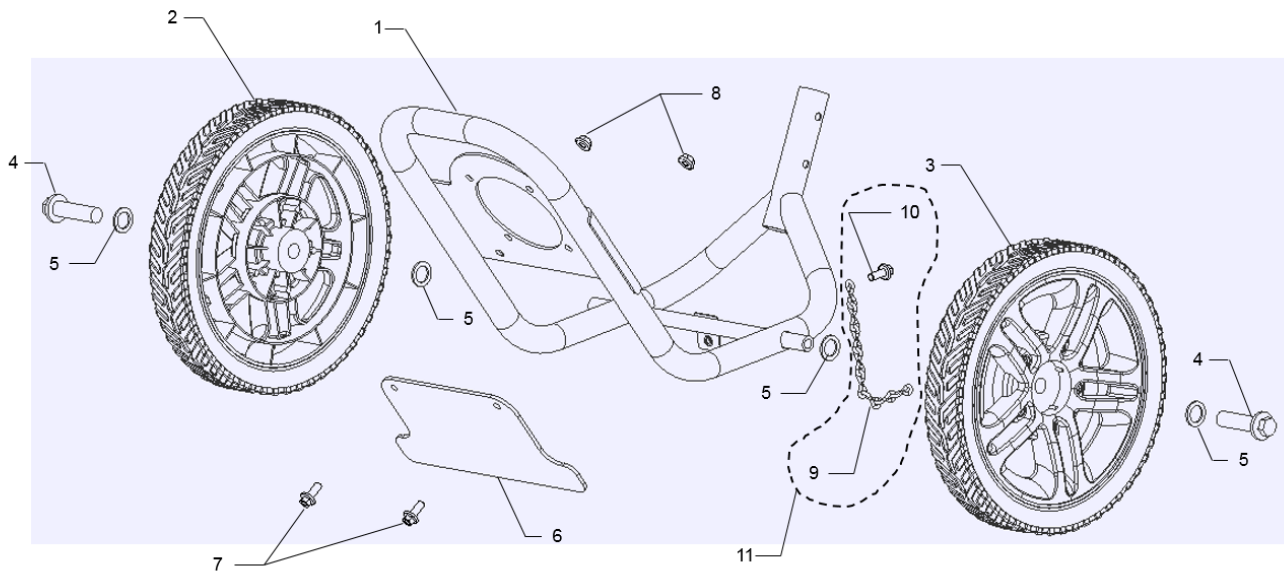
REF. NO.	DESCRIPTION	PART NO.	QTY
1	Engine, 43cc	A203550	1
2	Screw, M6 x 1.0 x 35, SHCS, Grade 8.8	<i>Reference Only</i>	4

Handle Assembly



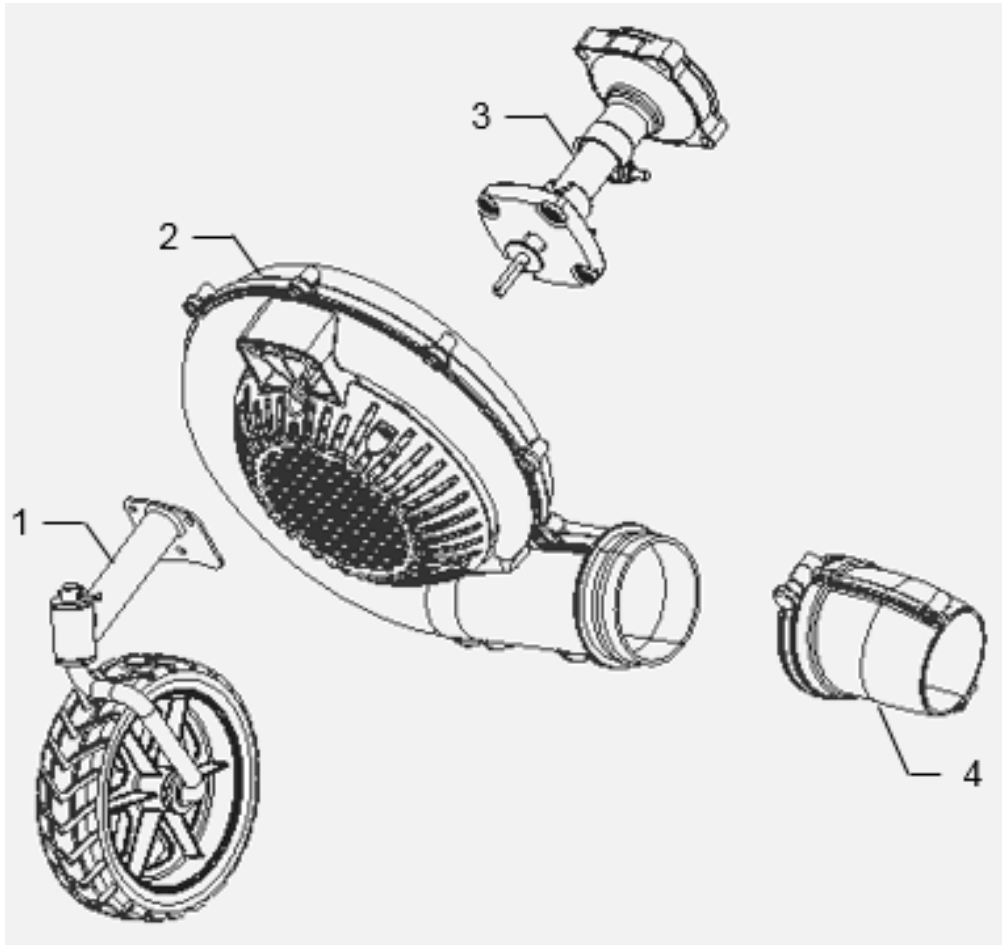
REF. NO.	DESCRIPTION	PART NO.	QTY
1	Handle, Upper	A204158	1
2	Handle, Middle	A204159	1
3	Kit, Throttle Assembly	A204249	1
4	Screw, M6 x 35, Hex Flange	<i>Reference Only</i>	2
5	Nut, M6, Hex Lock	<i>Reference Only</i>	2
6	Bolt, M8 x 1.25 x 65, Round Head Square Neck	<i>Reference Only</i>	2
7	Knob, Handle	A204161	2

Lower Weldment Assembly



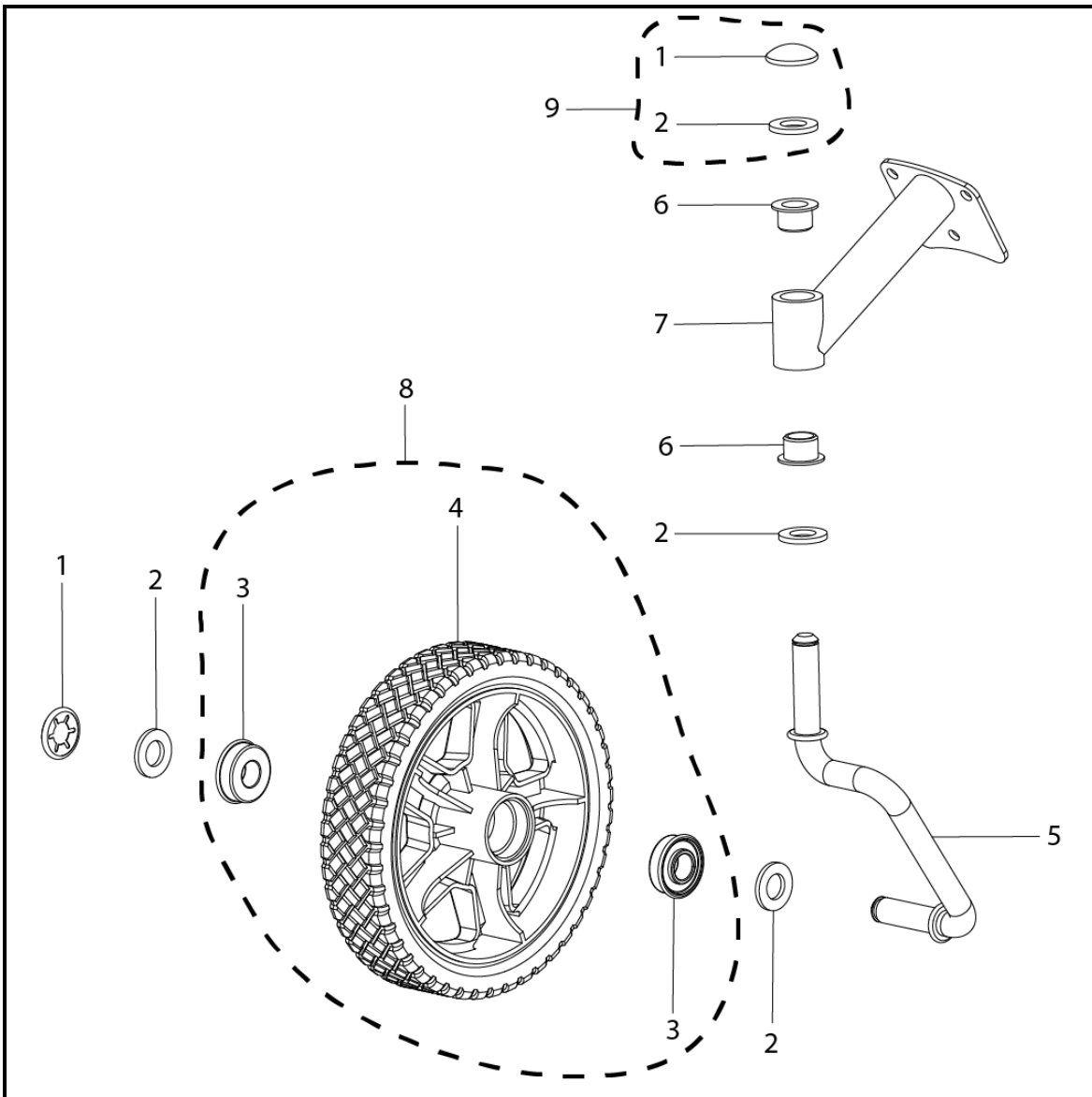
REF. NO.	DESCRIPTION	PART NO.	QTY
1	Weldment, Lower Frame	A204162	1
2	Assembly, Wheel - RH	A204163	1
3	Assembly, Wheel - LH	A204230	1
4	Bolt, M10 x 1.5 x 20, HFH, Grade 8.8	<i>Reference Only</i>	2
5	Washer, Wheel	A204164	4
6	Flap, Guard	A203680	1
7	Bolt, M6 x 1.0 x 16, HFH, Grade 8.8	<i>Reference Only</i>	2
8	Nut, M6 x 1.0	<i>Reference Only</i>	2
9	Chain, Single Jack, Trade size 12	<i>Reference Only</i>	1
10	Screw, 6.3 x 1.8 x 13, Type F, HFH Tapping	<i>Reference Only</i>	1
11	Kit, Chain (includes 9 & 10)	A204292	1

Blower Assembly



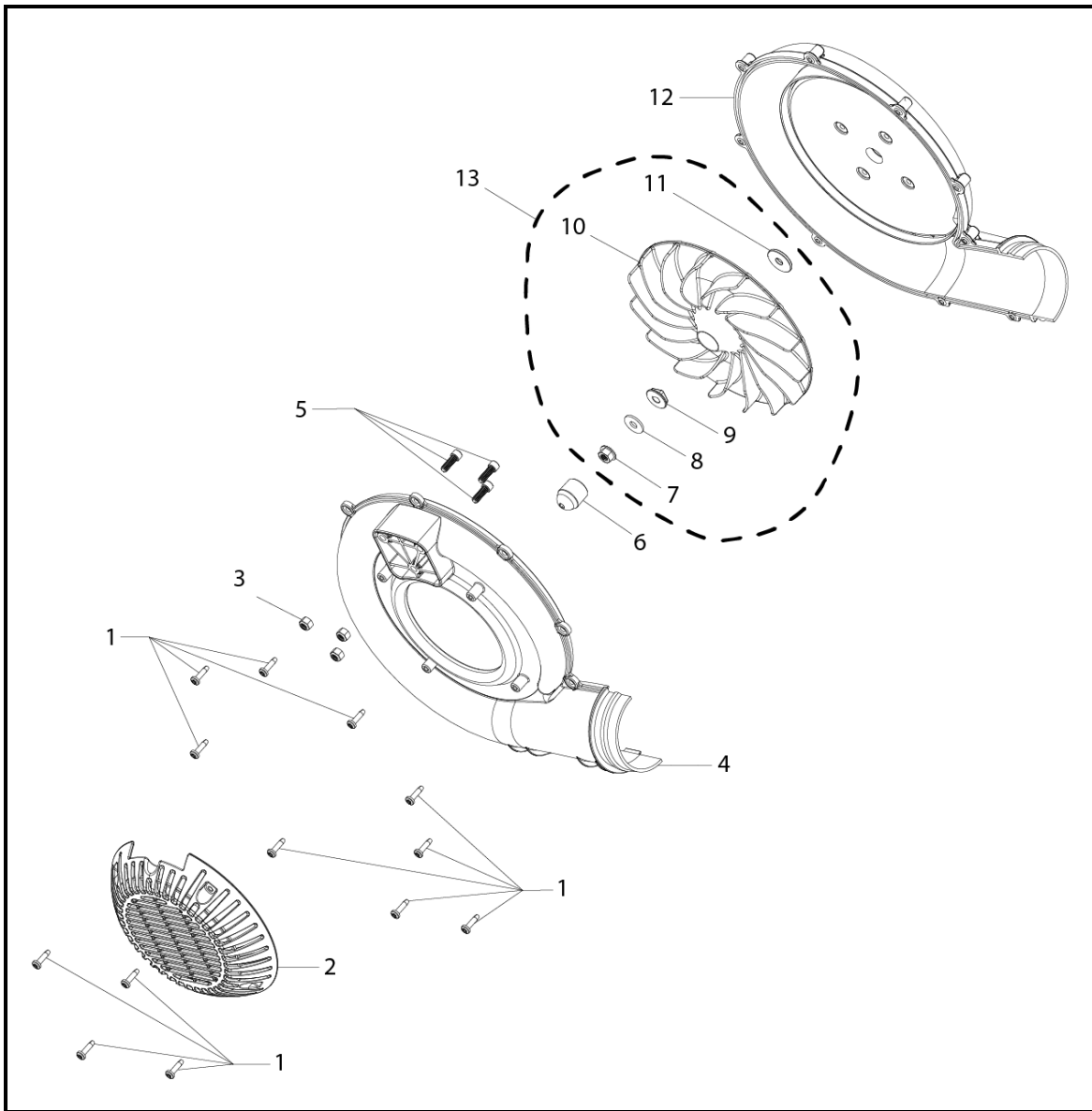
REF. NO.	DESCRIPTION	PART NO.	QTY
1	Assembly, Wheel	See Page 7	1
2	Assembly, Fan Housing	See Page 8	1
3	Assembly, Drive	See Page 9	1
4	Assembly, Nozzle	See Page 10	1

Wheel Assembly



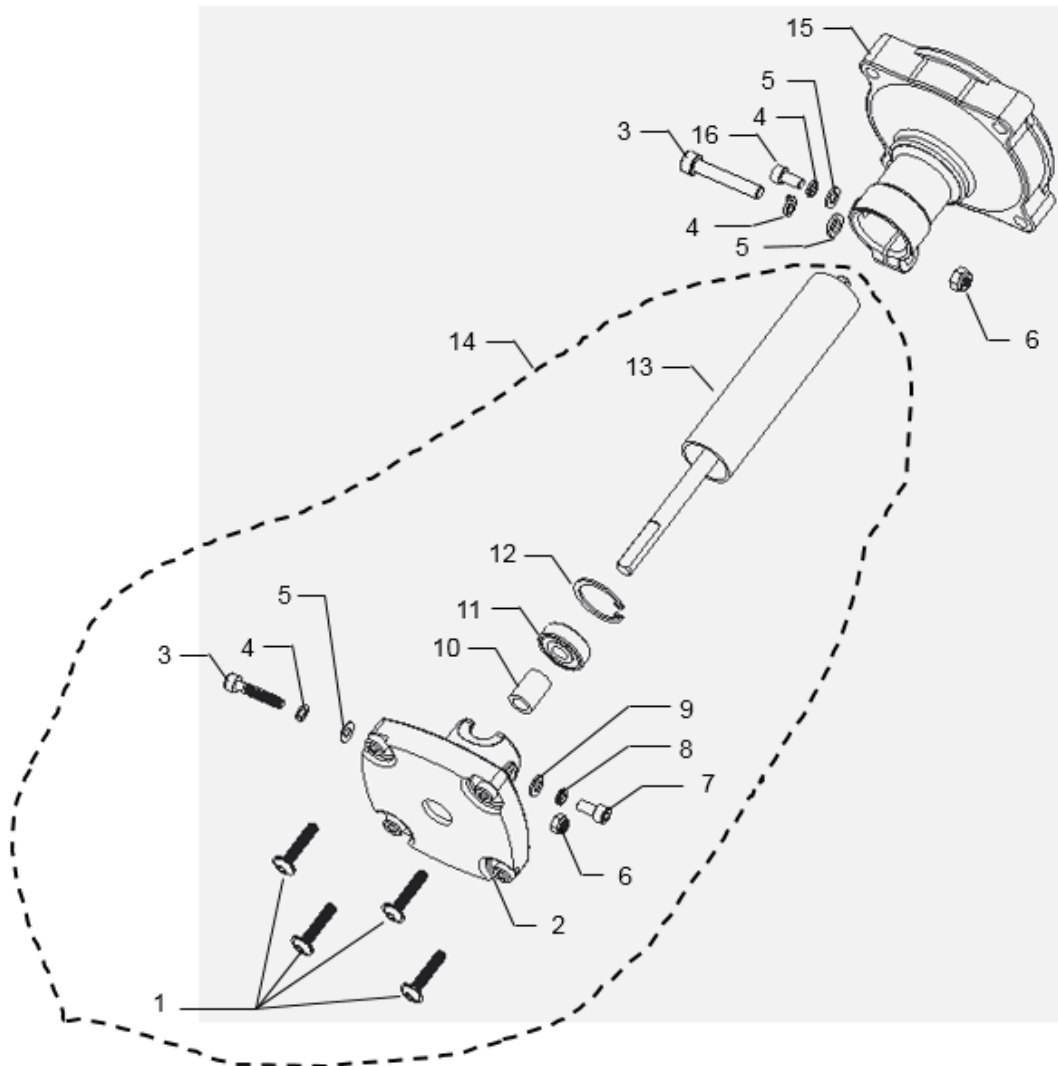
REF. NO.	DESCRIPTION	PART NO.	QTY
1	Cap, Retainer	<i>Reference Only</i>	2
2	Flat Washer, 13 x 28 x 2.5mm	<i>Reference Only</i>	4
3	Bearing, Wheel	<i>Reference Only</i>	2
4	Wheel, 7"	<i>Reference Only</i>	1
5	Rod, Caster Wheel	A203758	1
6	Bushing, Caster Wheel Rod (kit includes two bushings)	A203864	2
7	Bracket, Caster, Southland Red	A203755	1
8	Kit, Wheel (includes two wheel bearings)	A203856	1
9	Kit, Retainer Cap (includes two flat washers)	A203857	1

Fan Housing Assembly



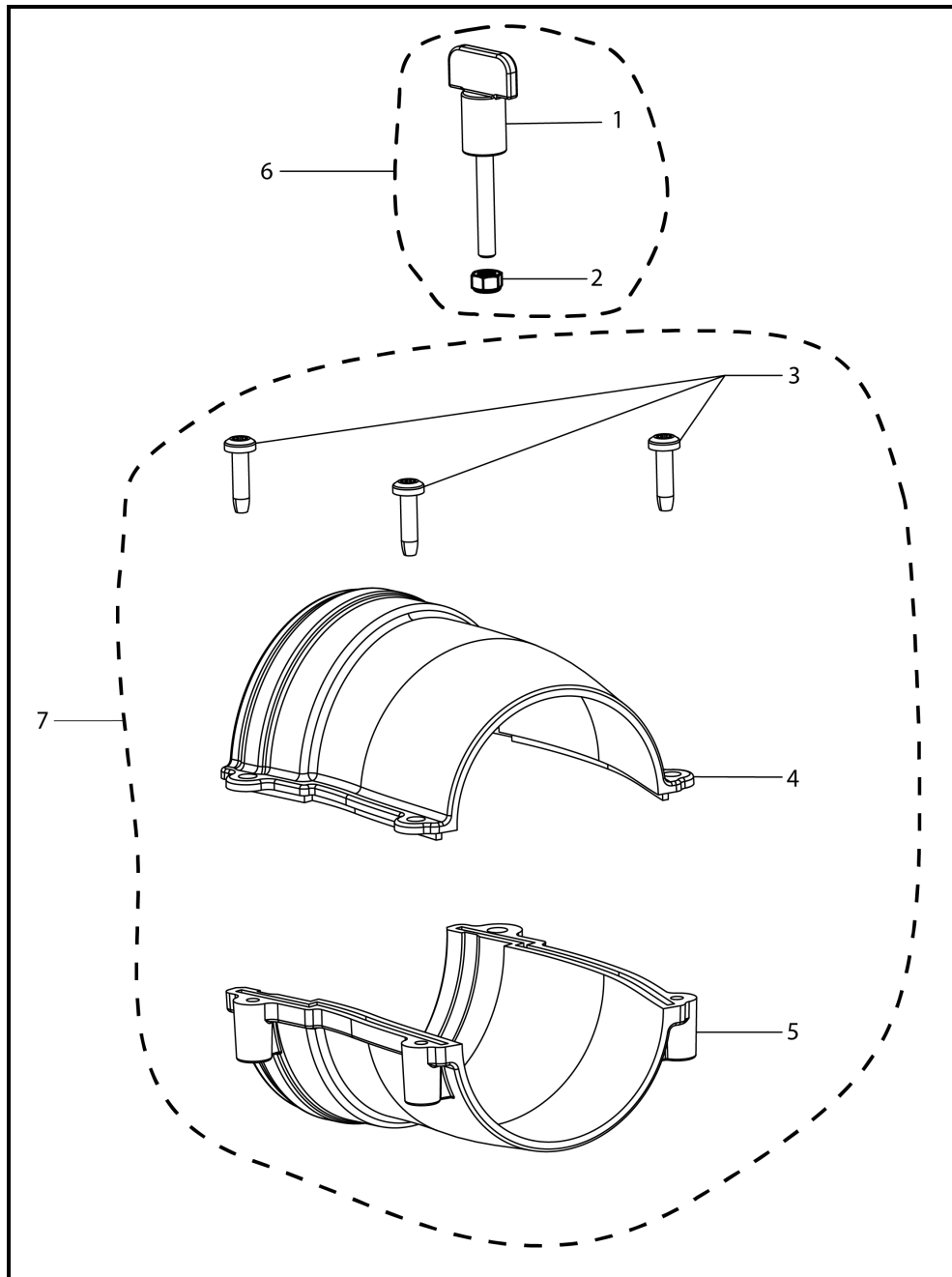
REF. NO.	DESCRIPTION	PART NO.	QTY
1	Screw, Plastic Thread Forming	A203866	13
2	Grille, Intake	A203746	1
3	Lock Nut, M6 x 1.0, Hex Nylon Insert	<i>Reference Only</i>	3
4	Housing, Front	A203745	1
5	Screw, M6 x 1.0 x 20, Torx Drive	<i>Reference Only</i>	3
6	Cap, Fan	A203752	1
7	Nut, M8 x 1.25, HFH Serrated	<i>Reference Only</i>	1
8	Flat Washer, 8.3 x 22 x 2mm	<i>Reference Only</i>	1
9	Arbor, PM	<i>Reference Only</i>	1
10	Fan	<i>Reference Only</i>	1
11	Flat Washer, 8.1 x 28 x 3mm	<i>Reference Only</i>	1
12	Housing, Rear	A203744	1
13	Kit, Fan (includes PM arbor, two flat washers, and nut)	A203861	1

Drive Assembly



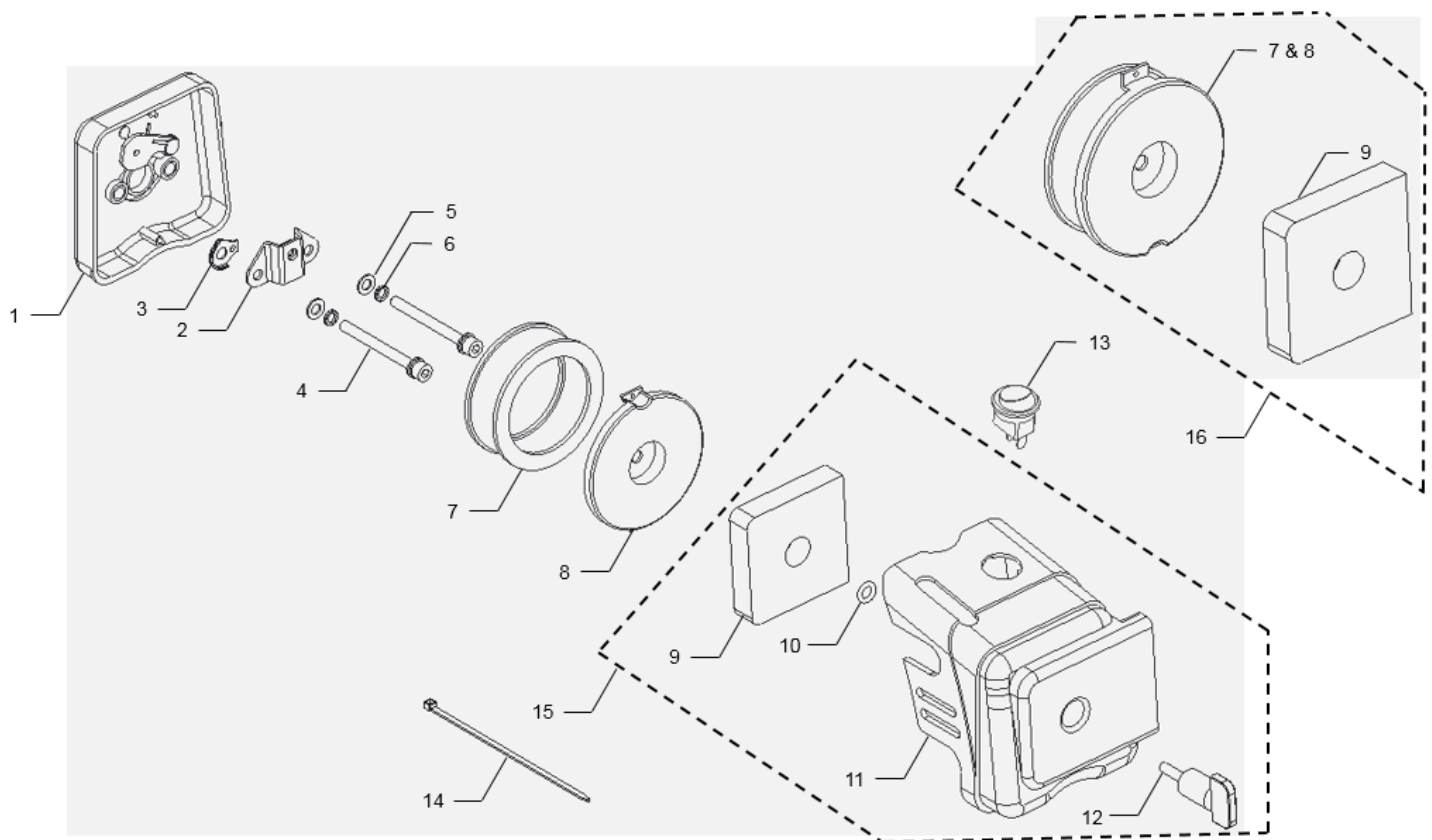
REF. NO.	DESCRIPTION	PART NO.	QTY
1	Screw, M5 x 0.8 x 25, Button Head Cap	Reference Only	4
2	Housing, Bearing	Reference Only	1
3	Screw, M6 x 1.0 x 25, SHCS	Reference Only	2
4	Lock Washer, M6	Reference Only	3
5	Flat Washer, M6	Reference Only	3
6	Lock Nut, M6 x 1.0, Hex Nylon Insert	Reference Only	2
7	Screw, M5 x 0.8 x 12, SHCS	Reference Only	1
8	Lock Washer, M5	Reference Only	1
9	Flat Washer, M5	Reference Only	1
10	Spacer	A203869	1
11	Bearing	Reference Only	1
12	Ring, Retaining	Reference Only	1
13	Assembly, Drive Shaft and Tube	Reference Only	1
14	Kit, Drive Assembly	A204251	1
15	Upper Drive Housing Assembly	A204165	1
16	Screw, M6 x 1.0 x 12, SHCS	Reference Only	1

Nozzle Assembly



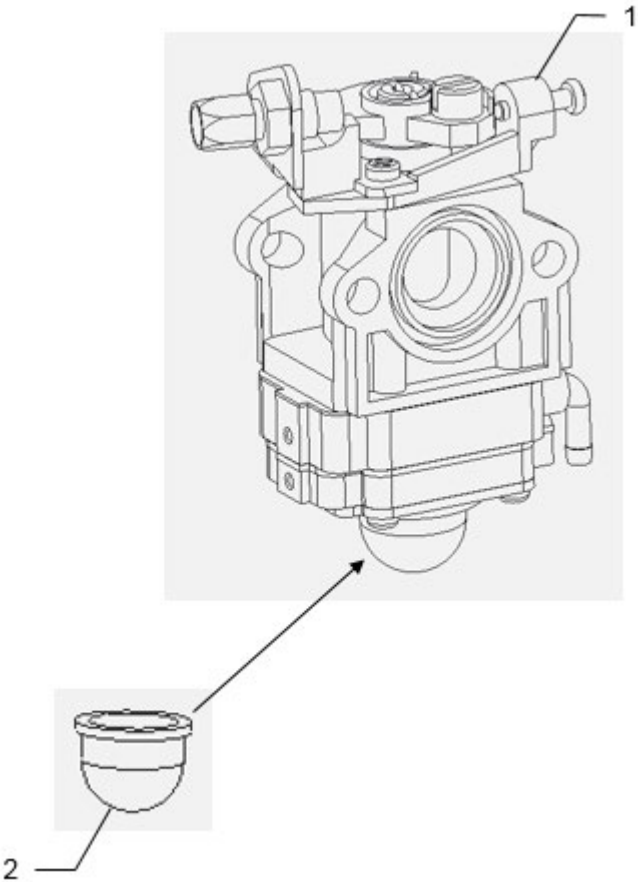
REF. NO.	DESCRIPTION	PART NO.	QTY
1	Screw, Thumb	<i>Reference Only</i>	1
2	Nut, M5 x 0.8, Hex Nylon Insert	<i>Reference Only</i>	1
3	Screw, Plastic Thread Forming	A203866	3
4	Nozzle, Upper Half	<i>Reference Only</i>	1
5	Nozzle, Lower Half	<i>Reference Only</i>	1
6	Kit, Thumb Screw and Nut	A203860	1
7	Kit, Outlet Nozzle (includes three screws)	A203859	1

Air Filter Assembly



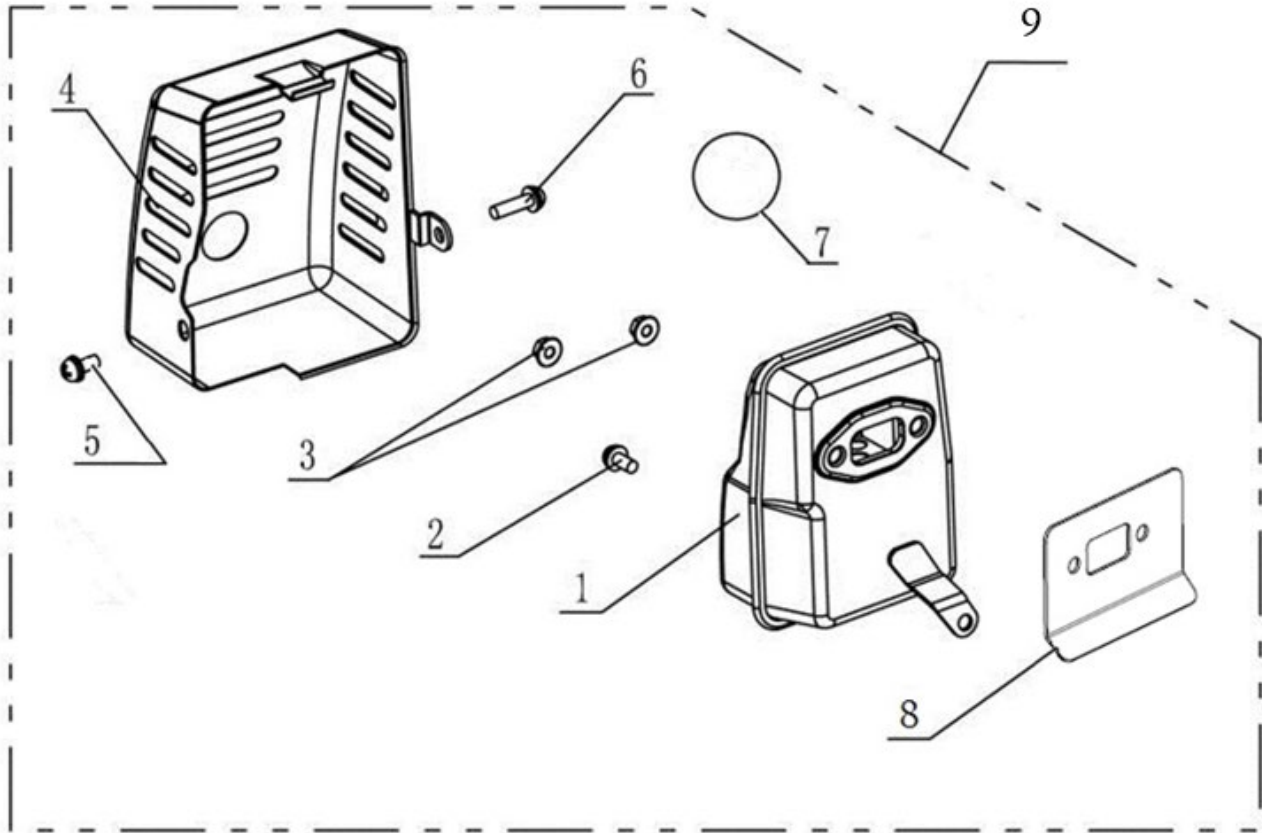
REF. NO.	DESCRIPTION	PART NO.	QTY
1	Housing, Air Filter	A200832	1
2	Bracket, Air Filter Mounting	A203644	1
3	Plate, Choke	A204238	1
4	Screw, M5 x 0.8 x 55, SHCS, Grade 8.8	Reference Only	2
5	Flat Washer, M5	Reference Only	2
6	Lock Washer, M5	Reference Only	2
7	Filter, Pleated	Reference Only	1
8	Mounting Plate, Air Filter	A200836	1
9	Filter, Foam Element	Reference Only	1
10	O-Ring, 3.15 x 1.8	Reference Only	1
11	Cover, Air Filter	Reference Only	1
12	Knob, Screw	A200770	1
13	Switch, On/Off	A203060	1
14	Cable Tie	Reference Only	1
15	Kit, Air Filter Cover with Filter (Includes items #9-12)	A203642	1
16	Kit, Filters (Includes items #7, 8, & 9)	A203643	1

Carburetor Assembly



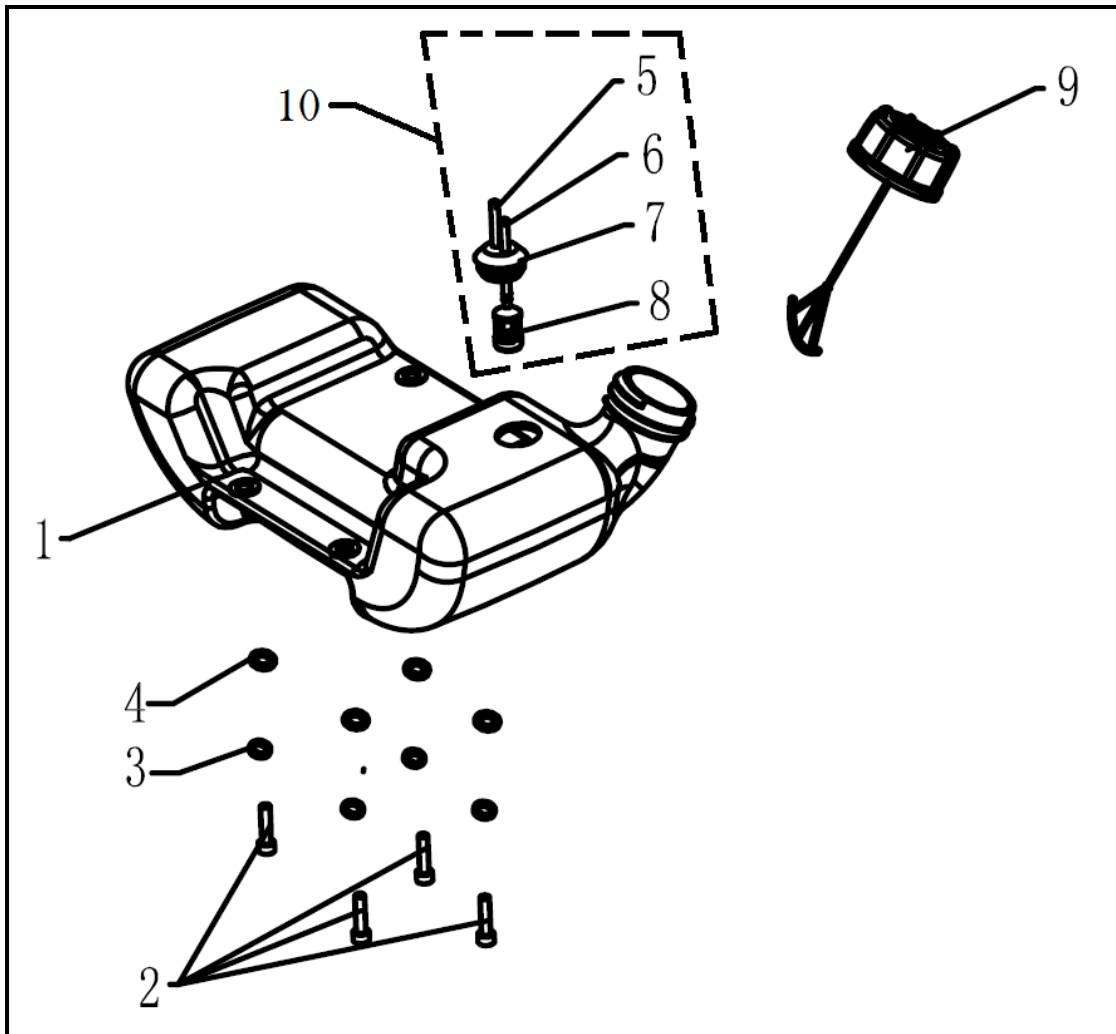
REF. NO.	DESCRIPTION	PART NO.	QTY
1	Carburetor	A200774	1
2	Primer Bulb	A202743	1

Muffler Assembly



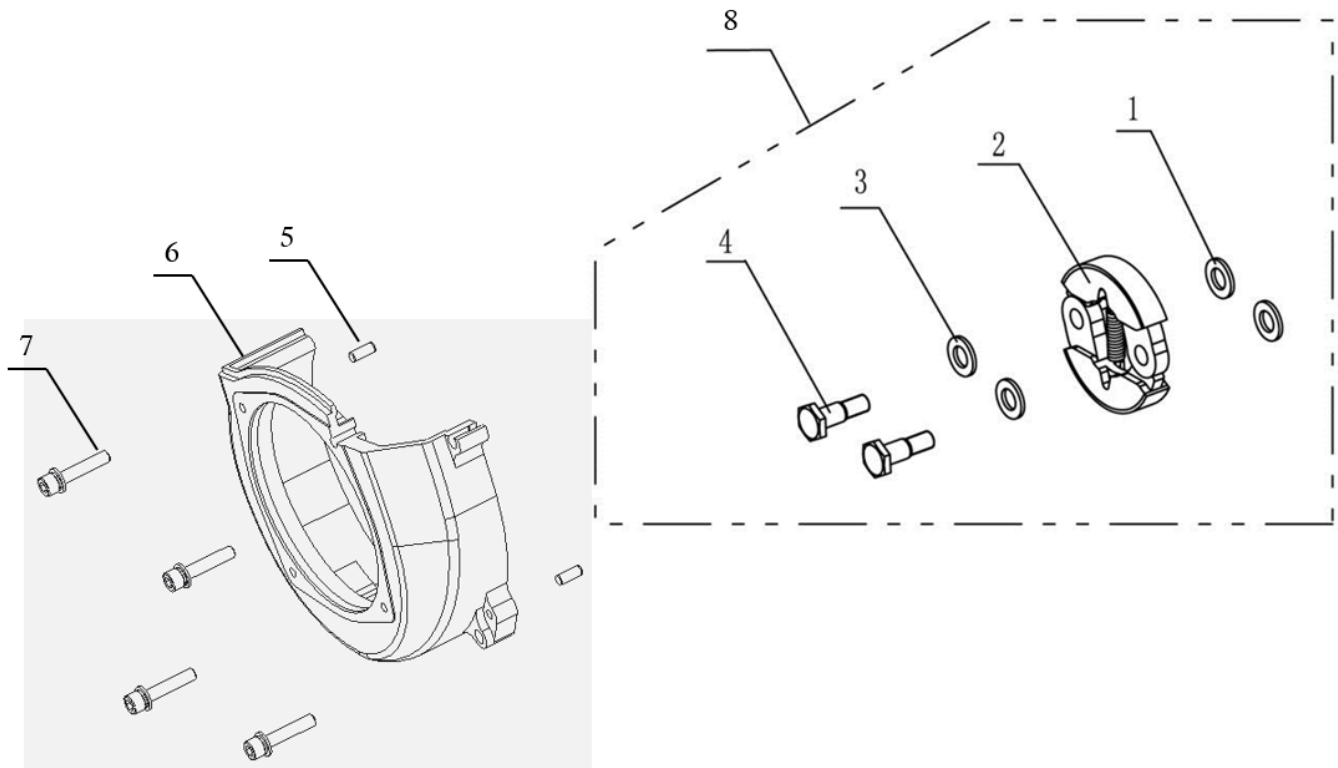
REF. NO.	DESCRIPTION	PART NO.	QTY
1	Muffler	<i>For Reference Only</i>	1
2	Bolt M5x10	<i>For Reference Only</i>	1
3	Nut M6	<i>For Reference Only</i>	2
4	Cover, Muffler	A200844	1
5	Bolt M5x12	<i>For Reference Only</i>	1
6	Bolt M5x25	<i>For Reference Only</i>	1
7	Label, Hot	<i>For Reference Only</i>	1
8	Gasket, Muffler	A201107	1
9	Muffler Assembly (Includes items #1-8)	A200775	1

Fuel Tank Assembly



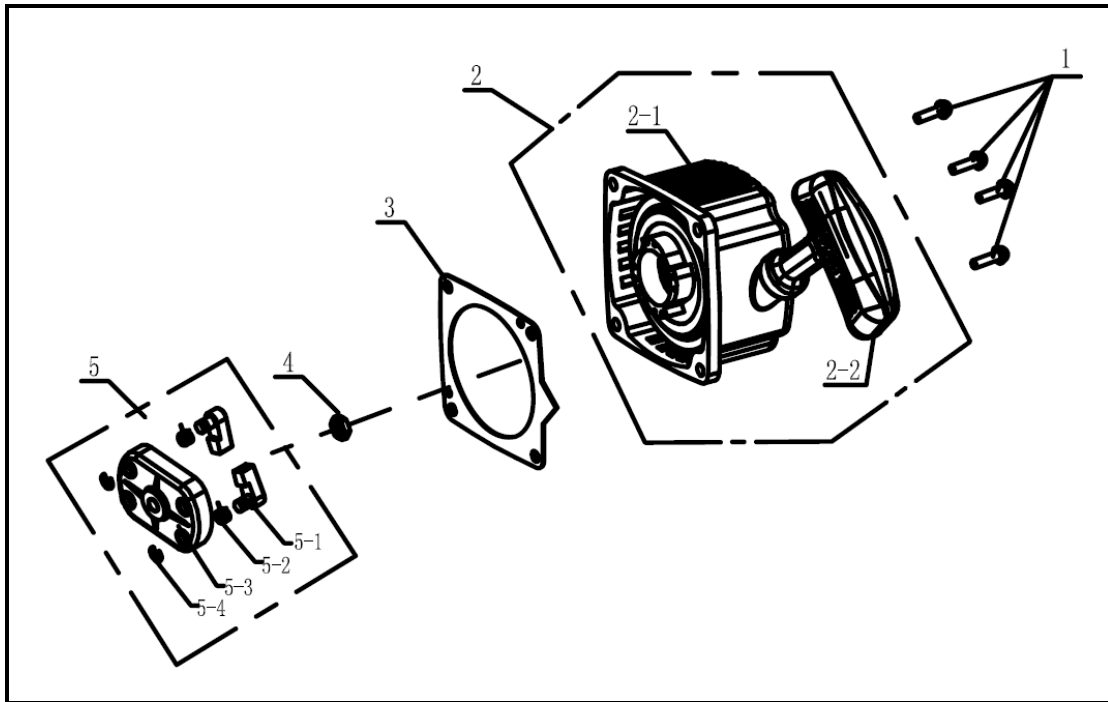
REF. NO.	DESCRIPTION	PART NO.	QTY
1	Tank, Fuel	A203640	1
2	Screw, M5 x 0.8 x 18, SHCS, Grade 8.8	Reference Only	4
3	Lock Washer, M5	Reference Only	4
4	Flat Washer, M5	Reference Only	4
5	Fuel Line 1	Reference Only	1
6	Fuel Line 2	Reference Only	1
7	Seal, Fuel Lines	Reference Only	1
8	Filter, Fuel	Reference Only	1
9	Cap, Fuel	A200781	1
10	Kit, Fuel Line/Filter (Includes items #5-8)	A203641	1

Clutch Assembly



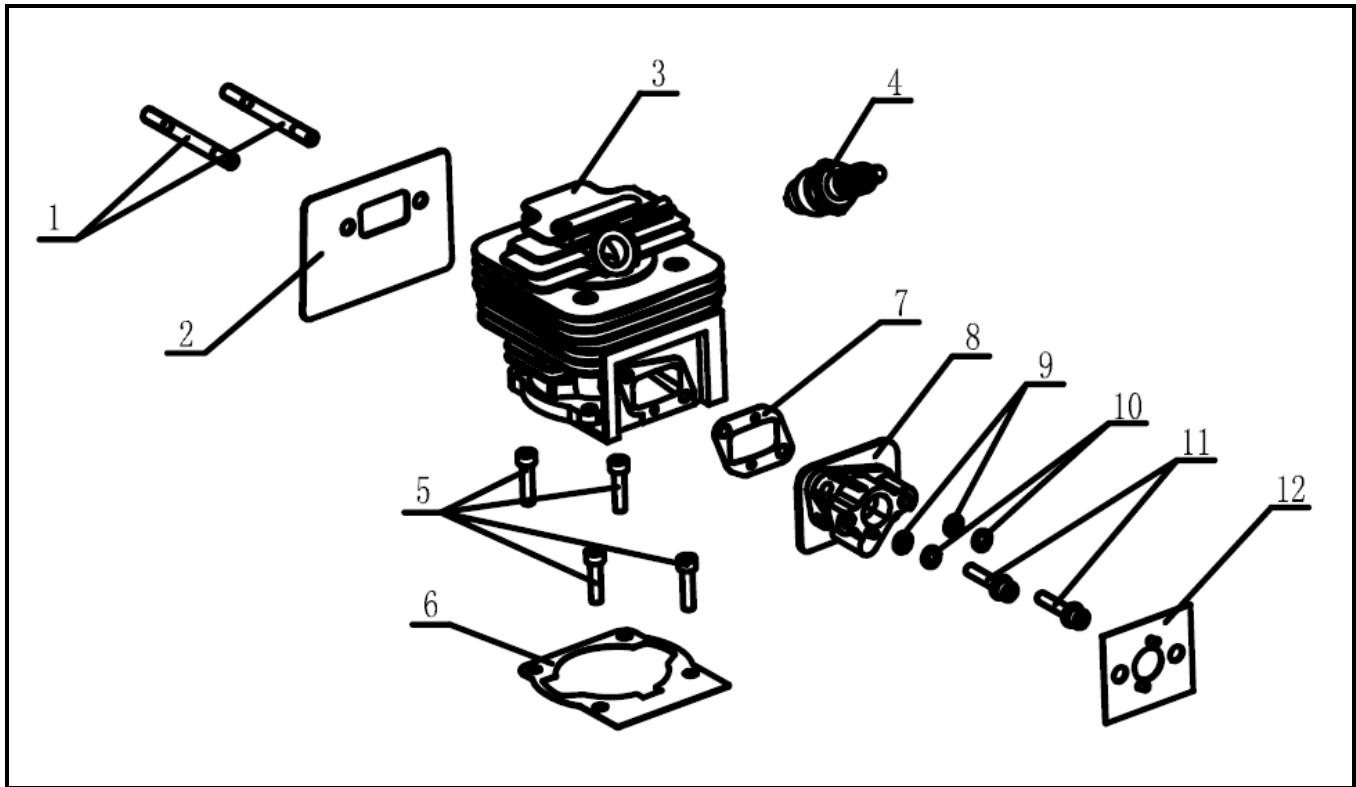
REF. NO.	DESCRIPTION	PART NO.	QTY
1	Flat Washer, M8	<i>Reference Only</i>	2
2	Clutch Shoes and Spring	<i>Reference Only</i>	1
3	Wave Spring Washer, M8	<i>Reference Only</i>	2
4	Bolt, M8 x 1.25 x 24, Hex Head Shoulder	<i>Reference Only</i>	2
5	Pin	<i>Reference Only</i>	2
6	Cover, Flywheel	A203679	1
7	Screw, M5 x 0.8 x 23, PHPD	<i>Reference Only</i>	4
8	Assembly, Clutch	A200782	1

Recoil Starter Assembly



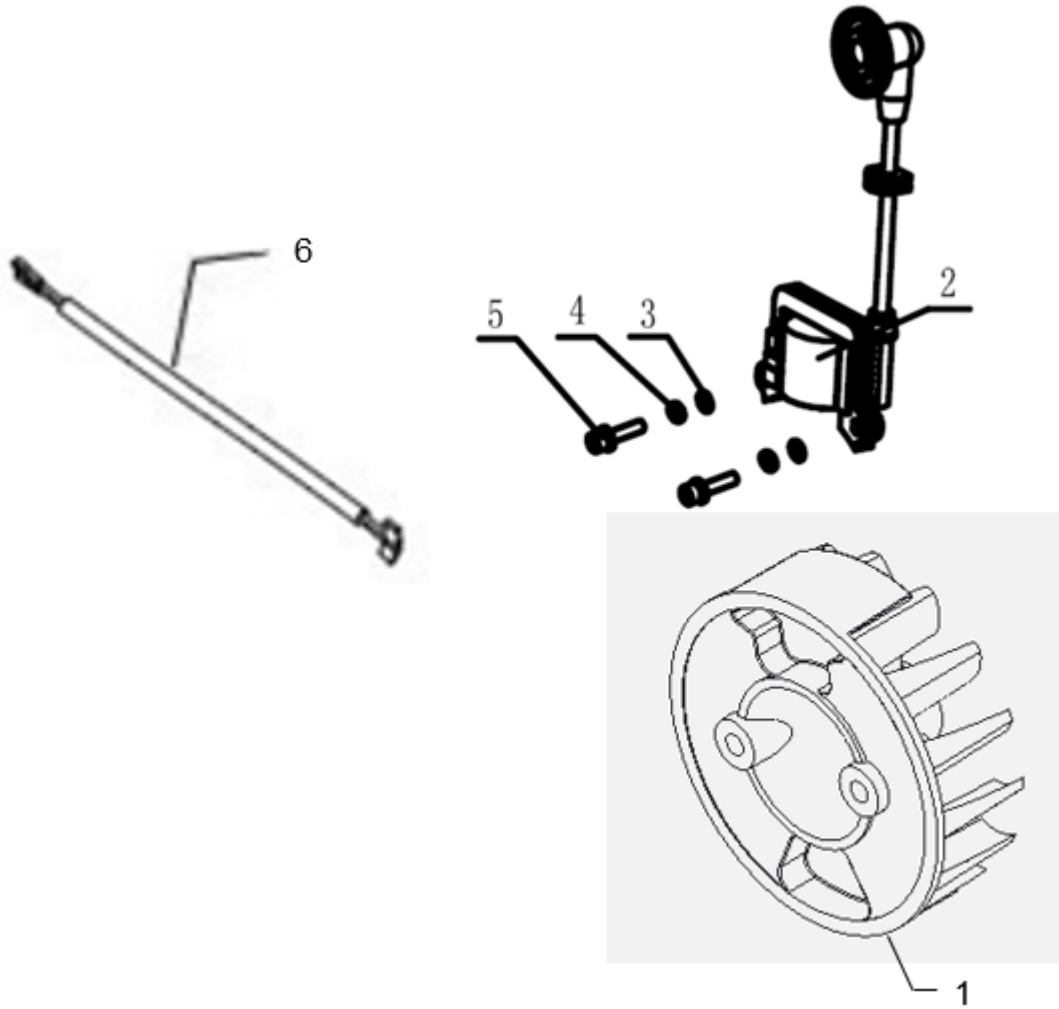
REF. NO.	DESCRIPTION	PART NO.	QTY
1	Screw, M5 x 0.8 x 20, PHPD	<i>Reference Only</i>	4
2	Recoil Starter	A203645	1
2-1	Recoil	<i>Reference Only</i>	1
2-2	Handle, Recoil Starter	<i>Reference Only</i>	1
3	Gasket, Recoil Starter	A200865	1
4	Nut, M8 x 1.25	<i>Reference Only</i>	1
5	Assembly, Starter Pawl	A200697	1
5-1	Ratchet, Starting	<i>Reference Only</i>	2
5-2	Spring, Returning	<i>Reference Only</i>	2
5-3	Base, Starting Ratchet	<i>Reference Only</i>	1
5-4	Clip	<i>Reference Only</i>	2

Cylinder Assembly



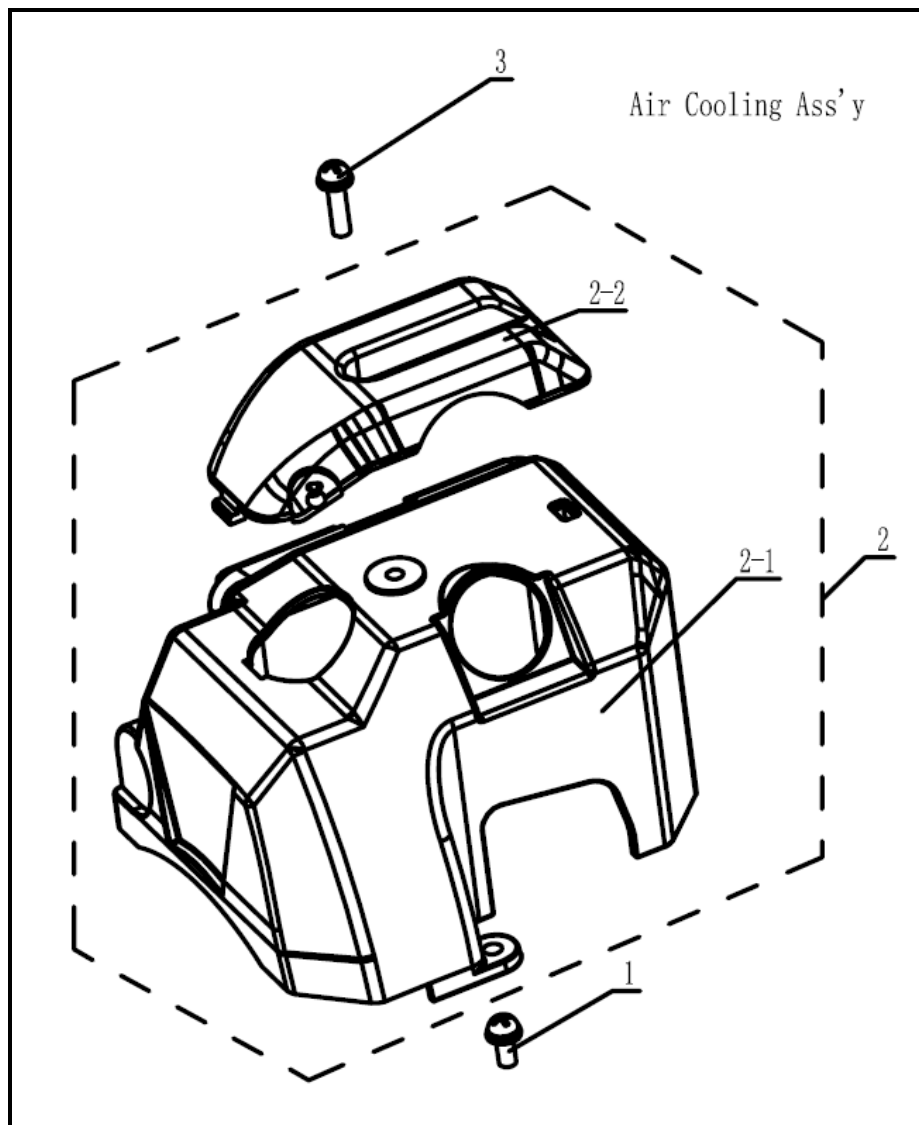
REF. NO.	DESCRIPTION	PART NO.	QTY
1	Stud, M6 x 1.0 x 63	<i>Reference Only</i>	2
2	Gasket, Muffler	A201107	1
3	Cylinder	<i>Reference Only</i>	1
4	Spark Plug	A200730	1
5	Screw, M5 x 0.8 x 20, SHCS, Grade 8.8	<i>Reference Only</i>	4
6	Gasket, Cylinder	<i>Reference Only</i>	1
7	Gasket, Isolator	A200838	1
8	Assembly, Carburetor Isolator	A200839	1
9	Flat Washer, M5	<i>Reference Only</i>	2
10	Lock Washer, M5	<i>Reference Only</i>	2
11	Screw, M5 x 0.8 x 25, SHCS, Grade 8.8	<i>Reference Only</i>	2
12	Gasket, Carburetor	A200841	1

Ignition Assembly



REF. NO.	DESCRIPTION	PART NO.	QTY
1	Flywheel	A202704	1
2	Ignition Module	A202703	1
3	Flat Washer, M5	<i>Reference Only</i>	2
4	Lock Washer, M5	<i>Reference Only</i>	2
5	Screw, M5 x 0.8 x 20, SHCS, Grade 8.8	<i>Reference Only</i>	2
6	Wire Harness	A203729	1

Air Cooling Assembly



REF. NO.	DESCRIPTION	PART NO.	QTY
1	Screw, M5 x 0.8 x 16, PHPD	<i>Reference Only</i>	1
2	Assembly, Air Cover	A203676	1
2-1	Cover, Cylinder	<i>Reference Only</i>	1
2-2	Cover, Air Cooling	<i>Reference Only</i>	1
3	Screw, M5 x 0.8 x 23, PHPD	<i>Reference Only</i>	1

Decal Kit

SWB43170
Southland Walk Behind
Blower



8 46236 01158 4

MFG Date Code:

TO START

- 1 Add 50:1 mix of 2 cycle engine oil and fresh gasoline to fuel tank.
- 2 Push ON/OFF switch to "ON" position
- 3 Move choke lever to the "COLD START" (full choke) position
- 4 Press primer bulb minimum 5 times
- 5 Pull recoil starter rope until engine starts and wait a few seconds before moving to half choke
- 6 Let engine run at half choke for approximately 1 minute and move choke lever to "RUN" position
- 7 If engine fails to start, wait about 30 seconds and repeat the steps above.

REFER TO OPERATORS MANUAL FOR MORE INFO

FOR SERVICE

800-737-2112
southlandpower
equipment.com

CARB compliant
sumiso
conciliant




MAI 6700 Wildlife Way
Long Grove, IL 60047

MODEL MFG. DATE CODE
SWB43170

Made in China For parts and service, call 1-800-737-2112

Check filter and service according to manufacturer's instructions (see manual).

STOP ON/RUN

12mm x 30mm

Fuel Mixture 50:1
Unleaded Gas: 2 Cycle Oil

CAUTION: DO NOT USE GAS MIX WITH MORE THAN 10% ETHANOL

70mm x 26mm
clear backer



CHOKER/ COLD START

CHOKER/ COLD START

RUN/ WARM START

CHOKER DECAL
13MM X 65MM
RADIUS= 3.175MM

PUSH TO PRIME 6x

PRIMER BULB
ON
UNDER SOLE

PRIMER DECAL
60.6MM X 28.575MM
RADIUS= 6.35MM

2-CYCLE ENGINE OIL

Add contents of this bottle to 1 gallon of gasoline and mix thoroughly for 50:1 ratio.

DANGER: HARMFUL OR FATAL IF SWALLOWED.
Contains Petroleum Distillates. Avoid ingestion or prolonged contact with skin. To avoid eye contact, DO NOT NEARLY CONTACT.
Call a physician immediately.

Packaged in China

2-CYCLE DECAL
48MM X 36MM
RADIUS= 6.35MM

20mm x 60mm
clear backer



20mm x 60mm
clear backer

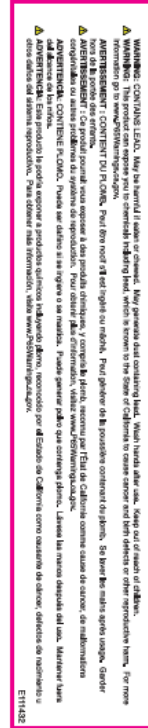


Engine Decal
2" Diameter

Logo Decal
80x20mm



6.95" x 1.35"



Southland Logo Label
69 mm x 20.25 mm

PRINT 20

REF. NO.	DESCRIPTION	PART NO.	QTY
	Decal Kit	A204151	1