



For product questions contact:
Sunbeam Consumer Service

USA : 1.800.334.0759
Canada : 1.800.667.8623
www.oster.com

© 2010 Sunbeam Products, Inc. doing business as Jarden Consumer Solutions.
All rights reserved. Distributed by Sunbeam Products, Inc. doing business as
Jarden Consumer Solutions, Boca Raton, Florida 33431.
SPR-121409

Para preguntas sobre los productos, llamar a:
Sunbeam Consumer Service

EE.UU.: 1.800.334.0759
Canadá: 1.800.667.8623
www.oster.com

© 2010 Sunbeam Products, Inc. operando bajo el nombre de Jarden Consumer Solutions.
Todos los derechos reservados. Distribuido por Sunbeam Products, Inc.
operando bajo el nombre de Jarden Consumer Solutions, Boca Raton, Florida 33431

Oster®

User Manual **6-Slice Counter Top Oven**
Manual de Instrucciones **Horno tostador de 6 rebanadas**

MODEL/MODELO TSSTTVMNDG



Visit us at www.oster.com

P.N. 137149

IMPORTANT SAFEGUARDS

SAVE AND READ THESE INSTRUCTIONS

When using electrical appliances, basic safety precautions should always be followed including the following:

- **READ ALL INSTRUCTIONS, PRODUCT LABELS AND WARNINGS BEFORE USING THE TOASTER OVEN.**
- Do not touch hot surfaces. Always use oven mitts when handling hot materials and allow metal parts to cool before cleaning. Allow the unit to cool thoroughly before putting in or taking off parts. Always use the oven handles when moving the unit.
- When the unit is not in use and before cleaning, unplug the toaster oven from the wall outlet. **Note:** Make sure the oven is turned off before unplugging.
- To protect against risk of electrical shock, do not immerse the appliance in water or any other liquids.
- Close supervision is always necessary when this or any appliance is used near children. This appliance is not for use by children.
- Do not operate this or any appliance with a frayed or damaged cord or plug or after the appliance malfunctions or is dropped or has been damaged in any manner. Return appliance to the nearest authorized service facility for examination, repair or adjustment.
- Do not use attachments not recommended by the manufacturer; they may cause fire, electric shock or personal injury.
- Do not use outdoors or for commercial purposes.
- Do not use this appliance for other than its intended use.
- Do not let the cord dangle over the edge of a tabletop or countertop or touch hot surfaces.
- Do not place the appliance near a hot gas or electric burner or in a heated oven.
- Extreme caution should be used when using containers constructed of material other than metal or glass.
- A fire may occur if the toaster oven is covered or touching flammable materials, including curtains, draperies, walls, etc., when in operation. Do not store any items on top of the appliance when in operation.
- When using toaster oven, pull the unit out a minimum of 6 inches away from walls on all sides. Remove cords from other products from behind toaster oven.
- Do not store any materials, other than manufacturer's recommended accessories, in this unit when not in use.
- Do not place any flammable materials in oven, such as paper, cardboard, plastic or any materials that may catch fire or melt.
- Do not cover the crumb tray or any part of the oven with metal foil. This will cause overheating of the appliance.
- Oversized foods or metal utensils must not be inserted in the appliance as they may create a fire or risk of electrical shock.
- Do not clean with metal scouring pads. Pieces can break off the pad and touch electrical parts involving a risk of electrical shock.
- Use extreme caution when removing tray or disposing of hot grease.
- To turn this appliance off, press Stop/Cancel button twice.
- To disconnect, press Stop/Cancel button twice to turn unit off, then remove plug from wall outlet.

THIS UNIT IS FOR HOUSEHOLD USE ONLY

SHORT POWER SUPPLY CORD INSTRUCTIONS

A short power-supply cord is provided to reduce the risk resulting from becoming entangled in or tripping over a longer cord. An extension cord may be used if care is exercised in its use. If an extension cord is used, the electrical rating of the cord must be at least as great as the electrical rating of the appliance. The extension cord should be arranged so that it will not drape over the countertop or tabletop where it can be pulled on by children or tripped over unintentionally.

For Products Purchased in the United States and Canada Only

To reduce the risk of electrical shock, this appliance has a polarized plug (*one blade is wider than the other*). This plug fits a polarized outlet only one way; if the plug does not fit fully into the outlet, reverse the plug. If it still does not fit, contact a qualified electrician. **Do not** attempt to modify the plug in any way.

SAVE THESE INSTRUCTIONS

Welcome

Congratulations on your purchase of an OSTER® Counter Top Oven! If you require service on your OSTER® Counter Top Oven, do not return to place of purchase. Please contact us at www.oster.com or 1.800.334.0759.

Features of Your Toaster Oven

(See Figure 1)

1. Removable Wire Rack
2. Interior Light
3. Time Display
4. Control Buttons
5. Two Rack Positions
6. Easy Clean Interior Walls
7. Glass Door
8. External Removable Crumb Tray
9. Baking Pan and Broiling Rack

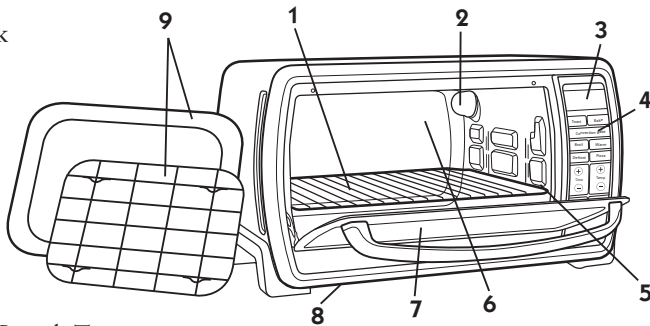


FIGURE 1

Control Buttons

1. Function Buttons – (See Figure 2)

Oven – Bake, Convection Bake & Broil

Toast – Select to toast bread, bagels, etc.

Pizza – Select to bake 9-12” pizza.

Defrost – Select to defrost foods.

+/- Timer/Temp – Use this button to change between time and temperature when Bake, Convection Bake or Broil have been selected.

Clock – Sets the Oven Clock.

Light – Turns on Interior Light.

Stop/Cancel – Stops heating or cancels function.

Start – Starts baking/cooking process.

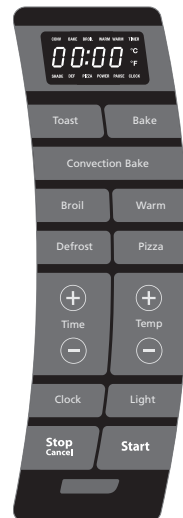


FIGURE 2

Preparing To Use Your Toaster Oven for the First Time

If you are using your toaster oven for the first time, please be sure to:

Remove any stickers from the surface of the oven.

Open oven door and remove all printed documents and paper from inside the toaster oven.

Clean the rack, tray, and pan with hot water, a small amount of dishwashing liquid and a non-abrasive sponge or cleaning pad.

DO NOT IMMERGE THE BODY OF THE UNIT IN WATER.

Dry the unit thoroughly before using.

Select a location for the toaster oven. The location should be in an open area on a flat counter where the plug will reach an outlet.

Plug the toaster oven into a 120 Volt AC electrical outlet.

The heating elements are designed to work efficiently and maintain a precise temperature. You may not see the elements glowing, they are working properly.

Using Your Toaster Oven

Setting the Clock

Press the Clock button. The clock will flash.

Use the timer (-) keys to set time. Press the Clock button again.

Use the +/- keys to set the minutes.

Push the Clock or Start button and the time will be set.

Preheating the Oven

Place oven rack into the desired position before heating the oven.

(See "Positioning Rack" Section)

Push bake button once.

Push the temperature +/- button to set desired temperature.

Push the Timer +/- keys until seven minutes is displayed.

Push the Start button.

To Use the Bake Function

Place oven rack into the desired position before heating the oven.

(See "Positioning Rack" Section)

Arrange food on the wire rack or in the baking pan.

Push the Bake button once. Push temperature +/- key to set desired temperature.

Push Timer +/- button. Use the +/- keys to select desired time.

Push the Start button.

Interior light turns on when timer is on. At the end of cooking cycle the light turns off automatically.

NOTE – Both heating elements will cycle ON and OFF to maintain the desired temperature. When baking is completed, open door fully and remove food carefully with oven mitt.

To Use the Convection Bake Function

Place oven rack into the desired position before heating the oven.

(See “Positioning Rack” Section)

When you select the Convection Bake the convection fan will turn on and circulate air allowing the food to cook evenly and faster.

Arrange food on the wire rack or in the baking pan.

Push the Convection Bake button. Use the +/- keys to select desired temperature.

Push the Timer button. Use the +/- keys to select desired time.

Push the Start button.

Interior Light turns on when timer is on. At the end of the cooking time a bell signal sounds, and the oven and light turn off automatically.

NOTE – Both heating elements will cycle ON and OFF to maintain the desired temperature.

When baking is completed, open door fully and remove food carefully with oven mitt.

FAQs About Convection Baking

What is Convection?

Answer: In your Countertop Oven there is a built in fan that circulates the hot air in the oven chamber to better heat the food.

How do I adjust the time for Convection?

Answer: On average, convection will shorten the cooking time by 30% but it varies by food. It is suggested to go with a shorter cooking time to start with and then add time if it is needed.

What are the best foods to use with Convection?

Answer: While a shorter cook time is often desirable, bake goods in particular benefit from convection cooking as the circulating air keeps oven temperature consistent throughout.

To Use the Broil Function

Place oven rack into the desired position before heating the oven.

(See “Positioning Rack” Section)

Place broil rack in oven pan to make broiler pan.

Arrange food on broiler pan.

Place broiler pan on oven rack.

Close the door to the first notch, leaving approximately a 3 inch gap at top.

Push the Broil button.

Push Timer button. Use +/- keys to select the desired time.

Push the Start button.

NOTE – The top heating element will cycle ON and OFF to maintain desired temperature.

When broiling is completed, open door fully and remove food carefully with oven mitt.

WARNING: DO NOT LEAVE TOASTER OVEN UNATTENDED.

To Use the Toast Function

Place oven rack into the desired position before heating the oven.

(See "Positioning Rack" Section)

NOTE – Different types of bread require different settings. Lighter breads and waffles require a lighter setting. Darker breads, muffins, and English muffins require a darker setting. Arrange food on the wire rack.

Push the Toast button. Use +/- keys to select Toast Shade.

Time is set automatically based on the shade selection.

Press the Start button.

When toasting is completed, open door fully and remove food carefully with oven mitt.

To Use the Pizza Function

Place oven rack into the desired position before heating the oven.

(See "Positioning Rack" Section)

Arrange pizza on the wire rack.

Push the Pizza button and 20:00 default time will appear. Use timer +/- keys to adjust the time as desired. Push the Start button.

NOTE – The Pizza function temperature is set at 400°F and cannot be adjusted.

If different temperature is desired, cancel Pizza function and use Bake function.

Defrosting Function

When defrosting do not preheat oven. Temperature Control is already set to 150°F.

Push the defrost button. Use +/- keys to adjust time. Allow 15 to 20 minutes per side for meats or fish to defrost. Always cook food promptly after thawing. Push the Start button.

Positioning Rack

To accommodate a wide variety of foods, the oven has two rack positions. (See *Figure 3*) Positioning of the rack will depend on the size of the food and desired browning. Before removing the rack, allow the unit to cool.

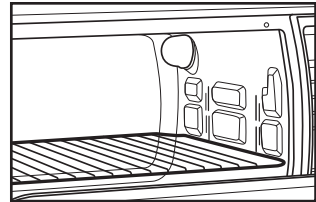


FIGURE 3

Cleaning Your Toaster Oven

Before cleaning your OSTER® Toaster Oven, unplug it and allow it to cool. To clean, wipe with damp cloth.

DO NOT IMMERSE IN WATER! Make sure to use only mild, soapy water.

Abrasive cleaners, scrubbing brushes and chemical cleaners will damage the coating on this unit. Empty crumb tray frequently to avoid accumulation of crumbs. Toaster oven racks are dishwasher safe (*top of dishwasher only*).

Storing Your Toaster Oven

Allow the appliance to cool completely before storing. If storing the toaster oven for long periods of time make certain that the toaster oven is clean and free of food particles. Store the toaster oven in a dry location such as on a table or countertop or cupboard shelf. Other than the recommended cleaning, no further user maintenance should be necessary.

HELPFUL TIPS / TROUBLESHOOTING

PROBLEM	POTENTIAL CAUSE	SOLUTION
<ul style="list-style-type: none"> • Overcooked / Undercooked Foods 	<ul style="list-style-type: none"> • Incorrect temperature or time setting • Rack placement 	<ul style="list-style-type: none"> • You may have to adjust the time and temperature to desired taste. • Because your toaster oven is smaller than your regular oven, it will heat up faster and generally cook in shorter periods of time. • Refer to “Positioning Rack” Section, Page English-4. Rack may need to be adjusted to accommodate food type.
<ul style="list-style-type: none"> • Burnt Smell 	<ul style="list-style-type: none"> • Food build-up inside oven, on heating elements or in crumb tray. 	<ul style="list-style-type: none"> • Refer to “Cleaning Your Toaster Oven” Section, Page English-5.
<ul style="list-style-type: none"> • Oven does not turn ON 	<ul style="list-style-type: none"> • Unit is unplugged • Did not press Start. 	<ul style="list-style-type: none"> • Plug the toaster oven into a 120-volt AC electrical outlet. • Set timer knob and temperature knob to desired setting. Both must be turned on to operate the toaster oven. • Press Start.
<ul style="list-style-type: none"> • Only one heating element is heating up 	<ul style="list-style-type: none"> • Function setting selection determines which heating element will operate. 	<ul style="list-style-type: none"> • When toasting, make sure the oven is not set to broil setting.
<ul style="list-style-type: none"> • Heating elements do not stay ON 	<ul style="list-style-type: none"> • Heating elements will cycle ON and OFF to maintain proper heat. 	<ul style="list-style-type: none"> • Be certain that function is as desired.
<ul style="list-style-type: none"> • Cannot change function button 	<ul style="list-style-type: none"> • Need to cancel function. 	<ul style="list-style-type: none"> • Press cancel.

One-Year Limited Warranty

Sunbeam Products, Inc. doing business as Jarden Consumer Solutions or if in Canada, Sunbeam Corporation (Canada) Limited doing business as Jarden Consumer Solutions (collectively "JCS") warrants that for a period of one year from the date of purchase, this product will be free from defects in material and workmanship. JCS, at its option, will repair or replace this product or any component of the product found to be defective during the warranty period. Replacement will be made with a new or remanufactured product or component. If the product is no longer available, replacement may be made with a similar product of equal or greater value. This is your exclusive warranty. Do NOT attempt to repair or adjust any electrical or mechanical functions on this product. Doing so will void this warranty.

This warranty is valid for the original retail purchaser from the date of initial retail purchase and is not transferable. Keep the original sales receipt. Proof of purchase is required to obtain warranty performance. JCS dealers, service centers, or retail stores selling JCS products do not have the right to alter, modify or any way change the terms and conditions of this warranty.

This warranty does not cover normal wear of parts or damage resulting from any of the following: negligent use or misuse of the product, use on improper voltage or current, use contrary to the operating instructions, disassembly, repair or alteration by anyone other than JCS or an authorized JCS service center. Further, the warranty does not cover: Acts of God, such as fire, flood, hurricanes and tornadoes.

What are the limits on JCS's Liability?

JCS shall not be liable for any incidental or consequential damages caused by the breach of any express, implied or statutory warranty or condition.

Except to the extent prohibited by applicable law, any implied warranty or condition of merchantability or fitness for a particular purpose is limited in duration to the duration of the above warranty.

JCS disclaims all other warranties, conditions or representations, express, implied, statutory or otherwise.

JCS shall not be liable for any damages of any kind resulting from the purchase, use or misuse of, or inability to use the product including incidental, special, consequential or similar damages or loss of profits, or for any breach of contract, fundamental or otherwise, or for any claim brought against purchaser by any other party.

Some provinces, states or jurisdictions do not allow the exclusion or limitation of incidental or consequential damages or limitations on how long an implied warranty lasts, so the above limitations or exclusion may not apply to you.

This warranty gives you specific legal rights, and you may also have other rights that vary from province to province, state to state or jurisdiction to jurisdiction.

How to Obtain Warranty Service

In the U.S.A.

If you have any question regarding this warranty or would like to obtain warranty service, please call 1-800-334-0759 and a convenient service center address will be provided to you.

In Canada

If you have any question regarding this warranty or would like to obtain warranty service, please call 1-800-667-8623 and a convenient service center address will be provided to you.

In the U.S.A., this warranty is offered by Sunbeam Products, Inc. doing business as Jarden Consumer Solutions located in Boca Raton, Florida 33431. In Canada, this warranty is offered by Sunbeam Corporation (Canada) Limited doing business as Jarden Consumer Solutions, located at 20 B Hereford Street, Brampton, Ontario L6Y 0M1. If you have any other problem or claim in connection with this product, please write our Consumer Service Department

PLEASE DO NOT RETURN THIS PRODUCT TO ANY OF THESE ADDRESSES OR TO THE PLACE OF PURCHASE.

PRECAUCIONES IMPORTANTES

LEA Y GUARDE ESTAS INSTRUCCIONES

Al usar aparatos eléctricos, deben seguirse siempre precauciones básicas de seguridad entre las que se incluyen las siguientes:

- LEA TODAS LAS INSTRUCCIONES, ETIQUETAS DEL PRODUCTO Y ADVERTENCIAS ANTES DE USAR EL HORNO TOSTADOR.
- No toque las superficies calientes. Utilice siempre guantes de horno al manejar material caliente y deje que las partes de metal se enfríen antes de limpiarlas. Deje enfriar bien el aparato antes de poner o quitar piezas. Utilice siempre las asas del horno cuando lo mueva.
- Cuando no se esté usando el horno tostador y antes de limpiarlo, desenchúfelo del tomacorriente de la pared. NOTA: Asegúrese de que el horno esté apagado antes de desenchufarlo.
- Para proteger contra el riesgo de descarga eléctrica, no sumerja el aparato en agua ni en ningún otro líquido.
- Siempre es necesaria la supervisión directa cuando éste o cualquier aparato se use cerca de niños. Este aparato no debe ser usado por niños.
- No use éste ni ningún otro aparato con un cordón o enchufe desgastado o dañado o después de que el aparato no funcione bien, se caiga o se haya dañado de cualquier forma. Devuelva el aparato al centro de servicio autorizado más cercano para su examen, reparación o ajuste.
- No utilice accesorios no recomendados por el fabricante; pueden causar incendio, descarga eléctrica o lesión personal.
- No lo use al aire libre o para fines comerciales.
- No use este aparato para otro uso que no sea el previsto.
- No permita que el cordón cuelgue del borde de una mesa o de un mostrador ni que toque superficies calientes.
- No coloque el aparato cerca de un quemador eléctrico o de gas caliente ni en un horno caliente.
- Debe emplearse extrema precaución al usar recipientes hechos de algún material que no sea metal o vidrio.
- Puede producirse un incendio si el horno tostador está cubierto o está tocando materiales inflamables, incluidas las cortinas, colgaduras, paredes, etc. cuando esté en funcionamiento. No guarde ningún artículo encima del aparato cuando esté en funcionamiento.
- Al usar el horno tostador, aléjelo de la pared un mínimo de 6 pulgadas en todos los lados. Quite los cordones de otros productos de detrás del horno tostador.
- No guarde en este aparato ningún material, aparte de los accesorios recomendados por el fabricante, cuando no esté usándose.
- No coloque ningún material inflamable en el horno, como papel, cartón, plástico o cualquier material que pueda prender fuego o derretirse.
- No cubra el horno con papel de aluminio. Esto ocasionará un recalentamiento del aparato.
- Los alimentos o utensilios de metal demasiado grandes no deben introducirse en el aparato, ya que pueden ocasionar un incendio o el riesgo de descarga eléctrica.
- No limpie con estropajos de metal. Pueden romperse trozos del estropajo y tocar piezas eléctricas que provoquen el riesgo de descarga eléctrica.
- Tenga sumo cuidado al quitar la bandeja o deshacerse de la grasa caliente.

- Para apagar este aparato, oprima el botón Stop/Cancel (Parar/Anular) dos veces.
- Para desconectar, oprima el botón Stop/Cancel (Parar/Anular) dos veces para apagar el aparato, y luego saque el enchufe del tomacorriente.

ESTE APARATO ES SÓLO PARA USO DOMÉSTICO

INSTRUCCIONES DEL CORDÓN CORTO DE ALIMENTACIÓN

Se proporciona un cordón corto de alimentación eléctrica para reducir el riesgo ocasionado al engancharse o tropezar con un cordón más largo. Puede usarse una extensión si se tiene cuidado. Si se usa una extensión, la clasificación eléctrica del cordón debe ser como mínimo de la misma clasificación eléctrica del aparato. La extensión debe colocarse de forma que no cuelgue del mostrador o de la mesa donde los niños puedan tirar de él o tropezarse involuntariamente.

PARA PRODUCTOS COMPRADOS SÓLO EN LOS ESTADOS UNIDOS Y CANADÁ

Para reducir el riesgo de descarga eléctrica, este aparato tiene un enchufe polarizado (una puntilla de contacto es más ancha que la otra). Este enchufe cabe en un tomacorriente polarizado sólo de una forma, si el enchufe no cabe perfectamente bien en el tomacorriente, dé la vuelta al enchufe. Si sigue sin caber, comuníquese con un electricista capacitado. No intente cambiar el enchufe de ninguna forma.

GUARDE ESTAS INSTRUCCIONES

Bienvenido

¡Felicitaciones por su compra de un Horno Tostador OSTER®! Si usted requiere servicio en su Horno Tostador de tablero Oster, no lo devuelva al lugar de compra. Por favor contáctenos en www.oster.com o al 1800 334 0759.

Características de su horno tostador

(Véase la Figura 1)

1. Rejilla de alambre desmontable
2. Luz interior
3. Visualizador de tiempo
4. Botones de control
5. Dos posiciones para la rejilla
6. Puerta de vidrio
7. Paredes interiores fáciles de limpiar
8. Bandeja externa desmontable para migas
9. Bandeja para hornear y rejilla y para asar a la parrilla

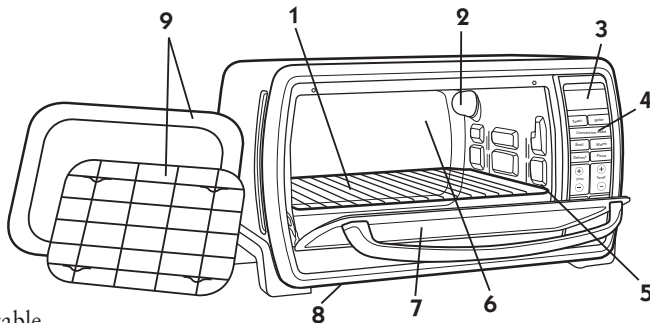


FIGURA 1

Botones de control

1. Botones de funciones – (Véase la Figura 2)

Horno (Oven) – Horneado, Horneado de Convección y Asado

Tostada (Toast) – Seleccione para tostar pan, rosca de pan, etc.

Pizza (Pizza) – Seleccione para hornear pizza de 9 a 12 pulgadas.

Descongelar (Defrost) – Seleccione para descongelar comidas.

+/- Tiempo/Temperatura (Timer/Temp) – Use este botón para cambiar entre tiempo y temperatura cuando Horneado (Bake), Horneado de Conveccion y Asado hayan sido seleccionados.

Reloj (Clock) – Fija el reloj del horno

Luz (Light) – Enciende la luz interior

Pare/Cancele (Stop/Cancel) – Para el calentamiento o cancela la función.

Inicio (Start) – Inicia el horneado o el proceso de cocción

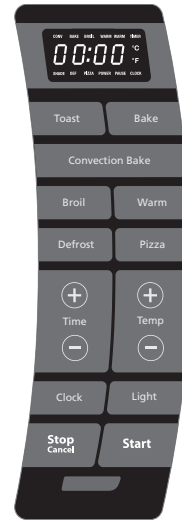


FIGURA 2

Cómo prepararse para usar su horno tostador por primera vez

Cuando utilice su horno tostador por primera vez, asegúrese de hacer lo siguiente:

Quitar todos los adhesivos de la superficie del horno.

Abrir la puerta del horno y sacar todos los documentos impresos y papel que están dentro del horno tostador.

Limpiar la rejilla, la bandeja y el recipiente para hornear con agua caliente, una pequeña cantidad de líquido lavaplatos y una esponja o estropajo no abrasivos.

NO SUMERJA EL HORNO EN AGUA Seque el aparato bien antes de usarlo.

Elija un lugar para colocar el horno tostador. El lugar debe ser en un área abierta en un mostrador plano donde el enchufe pueda llegar al tomacorriente.

Enchufe el horno tostador en un tomacorriente eléctrico de 120 voltios CA.

Los elementos de calentamiento están diseñados para trabajar eficientemente y mantener una temperatura precisa. Puede que no se iluminen los elementos de calentamiento, pero están funcionando adecuadamente.

Cómo usar su horno tostador

Poner el reloj

Presione el botón del Reloj (Clock). El reloj se pondrá intermitente.

Use los botones +/- del tiempo para fijar el tiempo. Presione el botón del reloj nuevamente.

Use los botones +/- para fijar los minutos.

Presione los botones del Reloj o de Iniciar y el tiempo se fijará.

Precalear el horno

Coloque la rejilla en la posición deseada antes de calentar el horno. (*Consulte la sección “Cómo colocar la rejilla”*)

Apriete el botón del horno una vez.

Presione el botón +/- de Temperatura para fijar la temperatura deseada.

Use los botones +/- del tiempo hasta que se muestre en el display siete minutos.

Apriete el botón Start (Empezar).

Cómo usar la función Bake (Hornear)

Coloque la rejilla en la posición deseada antes de calentar el horno. (*Consulte la sección “Cómo colocar la rejilla”*)

Coloque los alimentos en la rejilla o en la bandeja para hornear.

Presione el botón de horneado una vez. Presione botón +/- de Temperatura para fijar la temperatura deseada.

Presione los botones +/- del tiempo. Use los botones +/- para seleccionar el tiempo deseado.

Apriete el botón Start (Empezar).

Las luces interiores se encenderán cuando el cronometro se encienda. Al final del ciclo de cocción la luz se apagará automáticamente.

NOTA: Ambos elementos de calentamiento irán en ciclo de Encendido (ON) a Apagado (OFF) para mantener la temperatura deseada.

Cuando el horneado se haya completado, abra la puerta completamente y remueva la comida con un guante para horneado.

Para usar la función de Horneado de Convección

Coloque la rejilla en la posición deseada antes de calentar el horno. (*Consulte la sección “Cómo colocar la rejilla”*)

Cuando seleccione “Horneado de Convección” (Hornear con ventilador) se encenderá el ventilador de convección y hará circular el aire permitiendo que los alimentos se cocinen uniformemente y más rápido.

Coloque los alimentos en la rejilla o en la bandeja para hornear.

Apriete el botón Oven (Horno) dos veces hasta que “Fan Bake” (Hornear con ventilador) se ilumine en la pantalla. Use los botones de las flechas para seleccionar la temperatura deseada.

Apriete el botón Timer/Temp (Contador de tiempo/Temperatura). Use los botones de las flechas para seleccionar el tiempo deseado.

Apriete el botón Start (Empezar).

La luz interior se enciende cuando el cronómetro esta encendido. Al final del tiempo de cocción un sonido de campana suena, y el horno y la luz se apagan automáticamente.

NOTA: Ambos elementos de calentamiento irán en ciclo de Encendido (ON) a Apagado (OFF) para mantener la temperatura deseada.

Cuando el horneado se haya completado, abra la puerta completamente y remueva la comida con un guante para horneado.

Preguntas frecuentes acerca del Horneado de Convección

Que es Convección?

Respuesta: en su horno tostador de tablero existe un ventilador que circula el aire caliente en la cavidad del horno para una mejor cocción de la comida.

Como se ajusta el tiempo para Convección?

Respuesta: En promedio, la Conveccion acortará el tiempo de cocción en un 30% pero varía de acuerdo a la comida. Se sugiere que acorte el tiempo de cocción para comenzar y luego añada tiempo si se necesita.

Cuales son las mejores comidas para usar con conveccion?

Respuesta: Mientras que un tiempo de cocción corto es siempre deseado, alimentos horneados en particular se benefician de la cocción de Convección dado que el aire circulante mantiene la temperatura del horno constante durante toda la cocción.

Cómo usar la función Broil (Asar a la parrilla)

Coloque la rejilla en la posición deseada antes de calentar el horno. (*Consulte la sección “Cómo colocar la rejilla”*)

Ponga la rejilla para asar en la bandeja para hornear del horno para convertirla en un recipiente para asar a la parrilla.

Ponga los alimentos en el recipiente para asar a la parrilla.

Coloque el recipiente para asar a la parrilla en la rejilla del horno.

Cierre la puerta hasta la primera guía, dejando aproximadamente una apertura de 3 pulgadas en la parte superior.

Presione el botón de Asado (Broil).

Presione el botón del tiempo. Use los botones +/- para seleccionar el tiempo deseado.

Apriete el botón Start (Empezar).

NOTA: El elemento de calentamiento superior irá en ciclo de Encendido (ON) a Apagado (OFF) para mantener la temperatura deseada.

Cuando el asado se complete, abra la puerta completamente y remueva la comida cuidadosamente con un guante para horneado.

ADVERTENCIA: NO DESCUIDE EL HORNO TOSTADOR.

Cómo usar la función Toast (Tostar)

Coloque la rejilla en la posición deseada antes de calentar el horno.
(Consulte la sección “Cómo colocar la rejilla”)

NOTA: Se necesitan distintas graduaciones para diferentes tipos de pan. Los panes más blancos y los waffles requieren una graduación más baja. Los panes más oscuros, los muffins y los panecillos, requieren una graduación más alta.

Coloque la comida en la rejilla de metal.

Presione el botón de Tostada (Toast). Use los botones +/- para seleccionar el color de la tostada.

El tiempo se ajusta automáticamente basado en su selección del color.

Presione el botón de iniciar (Start)

Cuando el tostado se haya completado, abra la puerta completamente y remueva la comida cuidadosamente con un guante para horneado.

Cómo usar la función Pizza

Coloque la rejilla en la posición deseada antes de calentar el horno. (Consulte la sección “Cómo colocar la rejilla”)

Ponga la pizza en la rejilla.

Apriete el botón Pizza y aparecerá el tiempo predeterminado de 20:00. Use los botones +/- para ajustar el tiempo como lo desee. Presione el botón de iniciar (Start).

NOTA – La temperatura de la función Pizza está fijada en 400°F y no puede ajustarse.

Si se desea otra temperatura, anule la función Pizza y use la función Bake (Hornear).

Función Defrost (Descongelar)

Cuando descongele no precaliente el horno. El control de temperatura está fijado ya en 150°F.

Apriete el botón Defrost (Descongelar). Use los botones de las flechas para ajustar el tiempo. Para descongelar carnes o pescado se necesitan entre 15 y 20 minutos por cada lado. Cocine rápidamente los alimentos después de descongelarlos.

Apriete el botón Start (Empezar).

Cómo colocar la rejilla

Para que el horno tenga cabida para una gran variedad de alimentos la rejilla puede colocarse en dos posiciones. (Véase la Figura 3)

La colocación de la rejilla dependerá del tamaño de los alimentos y del grado de dorado que se desee.

Deje que el horno se enfríe antes de sacar la rejilla.

Por favor Nota – Para un mejor resultados de su tostada o pizza, coloque la rejilla en la posición superior.

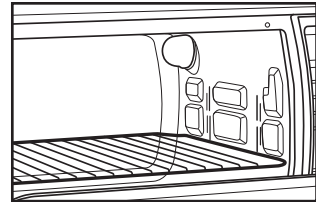


FIGURA 3

Cómo limpiar su horno tostador

Antes de limpiar su horno tostador OSTER®, desenchúfelo y déjelo enfriar. Para limpiarlo, pase un paño húmedo. ¡NO LO SUMERJA EN AGUA! Asegúrese de usar sólo agua con jabón suave. Los productos de limpieza abrasivos, los cepillos de fregar y los productos de limpieza con sustancias químicas pueden dañar el revestimiento del aparato. Vacíe con frecuencia la bandeja para migas para evitar que se acumulen las migas. Las rejillas del horno tostador pueden ponerse en el lavaplatos (sólo en la parte de arriba del lavaplatos).

Cómo guardar su horno tostador

Deje que el aparato se enfríe por completo antes de guardarlo. Si guarda el horno tostador durante largos períodos de tiempo, asegúrese de que esté limpio y sin partículas de comida. Guarde el horno tostador en un lugar seco, como una mesa o mostrador o en el estante de un armario. Además de la limpieza recomendada, no es necesario ningún otro mantenimiento por parte del usuario.

CONSEJOS ÚTILES / DETECCIÓN Y RESOLUCIÓN DE PROBLEMAS

PROBLEMA	POSIBLE CAUSA	SOLUCIÓN
<ul style="list-style-type: none"> Alimentos cocinados demasiado o no lo suficiente 	<ul style="list-style-type: none"> Posición incorrecta de la temperatura o del tiempo Colocación de la rejilla 	<ul style="list-style-type: none"> Puede que tenga que ajustar el tiempo y la temperatura para conseguir el gusto deseado. Debido a que su horno tostador es más pequeño que su horno normal, se calentará más rápidamente y en general cocinará en períodos de tiempo más cortos. Consulte la sección “Cómo colocar la rejilla” en la página 6 del texto español. Puede que tenga que ajustarse la rejilla dependiendo del tipo de alimento.
<ul style="list-style-type: none"> Olor a quemado 	<ul style="list-style-type: none"> Acumulación de comida dentro del horno, en los elementos calefactores o en la bandeja de migas. 	<ul style="list-style-type: none"> Consulte la sección “Cómo limpiar su horno tostador” en la página 6 del texto español.
<ul style="list-style-type: none"> El horno no se enciende 	<ul style="list-style-type: none"> El aparato está desenchufado No apretó el botón Start(Empezar). 	<ul style="list-style-type: none"> Enchufe el horno tostador en un tomacorriente eléctrico de 120 voltios CA. Ponga el botón del contador de tiempo y el de la temperatura en la posición deseada. Ambos deben estar encendidos para que funcione el horno tostador. Apriete el botón Start (Empezar).
<ul style="list-style-type: none"> Sólo se calienta un elemento calefactor 	<ul style="list-style-type: none"> La selección de la función determina qué elemento calefactor estará en funcionamiento. 	<ul style="list-style-type: none"> Cuando tueste, compruebe que el horno no esté en posición Broil (Asar a la parrilla).
<ul style="list-style-type: none"> Los elementos calefactores no permanecen encendidos 	<ul style="list-style-type: none"> Los elementos calefactores se encenderán y apagarán para mantener el calor adecuado. 	<ul style="list-style-type: none"> Asegúrese de tener puesta la función deseada.
<ul style="list-style-type: none"> No se puede cambiar el botón de función 	<ul style="list-style-type: none"> Es necesario cancelar la función. 	<ul style="list-style-type: none"> Apriete el botón Cancel (Anular).

Garantía limitada de un año

Sunbeam Products, Inc. operando bajo el nombre de Jarden Consumer Solutions, o en Canadá, Sunbeam Corporation (Canada) Limited operando bajo el nombre de Jarden Consumer Solution (en forma conjunta, "JCS"), garantiza que por un período de un año a partir de la fecha de compra, este producto estará libre de defectos de materiales y mano de obra. JCS, a su elección, reparará o reemplazará este producto o cualquier componente del mismo que presente defectos durante el período de garantía. El reemplazo se realizará por un producto o componente nuevo o reparado. Si el producto ya no estuviera disponible, se lo reemplazará por un producto similar de valor igual o superior. Ésta es su garantía exclusiva. NO trate de reparar o ajustar ninguna de funciones mecánicas o eléctricas de este producto. El hacerlo anulará esta garantía.

La garantía es válida para el comprador minorista original a partir de la fecha de compra inicial y la misma no es transferible. Conserve el recibo de compra original. Para solicitar servicio en garantía se requiere presentar un recibo de compra. Los agentes y centros de servicio de JCS o las tiendas minoristas que venden productos JCS no tienen derecho a alterar, modificar ni cambiar de ningún otro modo los términos y las condiciones de esta garantía.

Esta garantía no cubre el desgaste normal de las piezas ni los daños que se produzcan como resultado de uso negligente o mal uso del producto, uso de voltaje incorrecto o corriente inapropiada, uso contrario a las instrucciones operativas, y desarme, reparación o alteración por parte de un tercero ajeno a JCS o a un Centro de Servicio Sunbeam autorizado. Asimismo, la garantía no cubre actos fortuitos tales como incendios, inundaciones, huracanes y tornados.

¿Cuál es el límite de responsabilidad de JCS?

JCS no será responsable de daños incidentales o emergentes causados por el incumplimiento de alguna garantía o condición expresa, implícita o legal.

Excepto en la medida en que lo prohíba la ley aplicable, cualquier garantía o condición implícita de comerciabilidad o aptitud para un fin determinado se limita, en cuanto a su duración, al plazo de la garantía antes mencionada.

JCS queda exenta de toda otra garantía, condición o manifestación, expresa, implícita, legal o de cualquier otra naturaleza.

JCS no será responsable de ningún tipo de daño emergente de la compra, uso o mal uso del producto, ad de usar el producto, incluidos los daños incidentales, especiales, emergentes o similares, o la pérdida de ganancias, ni de ningún incumplimiento contractual, sea de una obligación esencial o de otra naturaleza, ni de ningún reclamo iniciado contra el comprador por un tercero.

Algunas provincias, estados o jurisdicciones no permiten la exclusión o limitación de los daños incidentales o emergentes ni las limitaciones a la duración de las garantías implícitas, de modo que es posible que la exclusión o las limitaciones antes mencionadas no se apliquen en su caso.

Esta garantía le otorga derechos legales específicos y es posible que usted tenga otros derechos que varían de un estado, provincia o jurisdicción a otro.

Cómo solicitar el servicio en garantía

En los Estados Unidos

Si tiene alguna pregunta sobre esta garantía o desea recibir servicio de garantía, llame al 1.800.334.0759 y podrá obtener la dirección del centro de servicio que le resulte más conveniente.

En Canadá

Si tiene alguna pregunta sobre esta garantía o desea recibir servicio de garantía, llame al 1.800.667.8623 y podrá obtener la dirección del centro de servicio que le resulte más conveniente.

En los Estados Unidos, esta garantía es ofrecida por Sunbeam Products, Inc. operando bajo el nombre de Jarden Consumer Solutions Boca Ratón, Florida 33431. En Canadá, esta garantía es ofrecida por Sunbeam Corporation (Canada) Limited, operando bajo el nombre de Jarden Consumer Solutions 20 B Hereford Street, Brampton, Ontario L6Y 0M1. Si tiene algún otro problema o reclamo relacionado con este producto, por favor escriba al Departamento de servicio al consumidor.

POR FAVOR NO DEVUELVA ESTE PRODUCTO A NINGUNA DE ESTAS DIRECCIONES NI AL LUGAR DE COMPRA.



NOTES:

