



Dryer

User manual

DVE(G)52M8650*

SAMSUNG



Contents

Safety information	4
What you need to know about the safety instructions	4
Important safety symbols	4
Important safety precautions	5
Warnings	7
Cautions	8
Installation requirements	10
Key installation requirements	10
Location considerations	10
Ducting requirements	11
Exhausting requirements	12
Gas requirements	13
Electrical requirements	14
Installation	16
What's included	16
Step-by-step installation	18
Vent blockage test	24
Exhaust ducting guide	26
Switching the door position	26
Before you start	29
Sort and load	29
Functional prerequisite	29
Operations	30
Feature panel	30
Simple steps to start	33
Cycle overview	34
Drying guide	36
Special features	37



Maintenance	39
Cleaning	39
Troubleshooting	40
Checkpoints	40
Information codes	43
Specifications	44
Fabric care chart	44
Protecting the environment	45
Specification sheet	46
Cycle chart	47



Safety information

Congratulations on your new Samsung dryer. This manual contains important information on the installation, use and care of your appliance. Please take some time to read this manual to take full advantage of your dryer's many benefits and features.

What you need to know about the safety instructions

Please read this manual thoroughly to ensure that you know how to safely and efficiently operate the extensive features and functions of your new appliance. Please store the manual in a safe location close to the appliance for future reference. Use this appliance only for its intended purpose as described in this instruction manual.

Warnings and Important Safety Instructions in this manual do not cover all possible conditions and situations that may occur. It is your responsibility to use common sense, caution and care when installing, maintaining and operating your dryer.

Because the following operating instructions cover various models, the characteristics of your dryer may differ slightly from those described in this manual and not all warning signs may be applicable. If you have any questions or concerns, contact your nearest service center or find help and information online at www.samsung.com.

Important safety symbols

What the icons and signs in this user manual mean:

WARNING

Hazards or unsafe practices that may result in severe personal injury, death and/or property damage.

CAUTION

Hazards or unsafe practices that may result in personal injury and/or property damage.

NOTE

Indicates that a risk of personal injury or material damage exists.

These warning signs are here to prevent injury to yourself and others.

Please follow them explicitly.

After reading this manual, store it in a safe place for future reference.

Read all instructions before using the appliance.

As with any equipment that uses electricity and moving parts, potential hazards exist.

To safely operate this appliance, familiarize yourself with its operation and exercise care when using it.

SAVE THESE INSTRUCTIONS



⚠ WARNING - Gas Appliances:

- **State of California Proposition 65 Warning (US only)**
This product contains chemicals known to the State of California to cause cancer and birth defects or other reproductive harm.
- Gas appliances can cause low-level exposure to Proposition 65 listed substances, including but not limited to, benzene, carbon monoxide, formaldehyde and soot, substances resulting from the incomplete combustion of natural gas or LP fuels.

⚠ WARNING - Risk of Fire

- Clothes dryer installation must be performed by a qualified installer.
- Install the clothes dryer according to the manufacturer's instructions and local codes.
- Do not install a clothes dryer with flexible plastic venting materials. If flexible metal (foil type) duct is installed, it must be of a specific type identified by the appliance manufacturer as suitable for use with clothes dryers. Flexible venting materials are known to collapse, be easily crushed, and trap lint. These conditions will obstruct clothes dryer airflow and increase the risk of fire.
- To reduce the risk of severe injury or death, follow all installation instructions.
- Save these instructions.

Important safety precautions**⚠ WARNING**

To reduce the risk of fire, electric shock, or injury to persons when using your appliance, follow basic precautions, including the following:

1. Read all instructions before using this appliance.
2. Do not dry articles that have been previously cleaned in, washed in, soaked in, or spotted with gasoline, dry-cleaning solvents, or other flammable or explosive substances, as they give off vapors that could ignite or explode.
3. Do not use the dryer to dry clothes which have traces of any flammable substance, such as vegetable oil, cooking oil, machine oil, flammable chemicals, paint thinner, etc., or anything containing wax or chemicals, such as mops and cleaning cloths. Flammable substances may cause the fabric to catch fire by itself.
4. Do not store or use gasoline or other flammable vapors and liquids near this or any other appliance.

SAVE THESE INSTRUCTIONS

Safety information

5. Do not allow children to play on or in the appliance. Close supervision of children is necessary when the appliance is used near children.
6. Before the appliance is removed from service or discarded, remove the door to the drying compartment.
7. Do not reach into the appliance if the drum is moving.
8. Do not install or store this appliance where it will be exposed to the weather.
9. Do not tamper with internal controls.
10. Do not repair or replace any part of the appliance or attempt any service unless specifically recommended in the user-maintenance instructions or in published user-repair instructions that you understand and have the skills to carry out.
11. Do not use fabric softeners or products to eliminate static unless recommended by the manufacturer of the fabric softener or product.
12. Clean the lint screen before or after each load.
13. Do not use heat to dry articles containing foam rubber or similarly textured rubber-like materials.
14. Keep area around the exhaust opening and adjacent surrounding areas free from the accumulation of lint, dust, and dirt.
15. The interior of the appliance and exhaust duct should be cleaned periodically by qualified service personnel.
16. Do not place items exposed to cooking oils in your dryer. Items contaminated with cooking oils may contribute to a chemical reaction that could cause a load to catch fire.
17. This appliance must be grounded. See “**Electrical requirements**” and “**Grounding**” in “**Installation**” section.
18. Do not allow children to play on or in the appliance. Close supervision of children is necessary when the appliance is used near children.
19. Do not insert your hand under the dryer.
 - This may result in injury.
20. Take care that children’s fingers are not caught in the door when closing it.
 - This may result in injury.
21. The Control board and inlet valve are intentionally not grounded and may present a risk of electric shock only during servicing.
 - Do not contact these parts while the appliance is energized.

SAVE THESE INSTRUCTIONS

⚠ WARNING - To reduce the risk of fire or explosion:

- Do not dry items that have been previously cleaned, washed, soaked, or spotted with gasoline, dry cleaning solvents, or other flammable or explosive substances. They emit vapors that could ignite or explode. Any material that has been in contact with a cleaning solvent or flammable liquids or solids should not be placed in the dryer until all traces of these flammable liquids or solids and their fumes have been removed. There are many highly flammable items used in homes, such as acetone, denatured alcohol, gasoline, kerosene, some liquid household cleaners, some spot removers, turpentine, waxes, and wax removers.
- Items containing foam rubber (may be labeled latex foam) or similarly textured rubberlike materials must not be dried on a heat setting. Heated foam rubber materials can, under certain circumstances, ignite spontaneously.

⚠ WARNING - What to do if you smell gas:

- Do not try to light any appliance.
- Do not turn on the appliance.
- Do not touch any electrical switch.
- Do not use any phone in your building.
- Clear the room, building or area of all occupants.
- Immediately call your gas supplier from a neighbor's phone. Follow the gas supplier's instructions.
- If you cannot reach your gas supplier, call the fire department.
- Installation and service must be performed by a qualified installer, service agency, or the gas supplier.

Warnings**⚠ WARNING**

- Ensure pockets are free of small, irregularly shaped hard objects and foreign material, i.e. coins, knives, pins, etc. These objects could damage your dryer.
- Gas leaks may occur in your system, resulting in a dangerous situation.

SAVE THESE INSTRUCTIONS

Safety information

Cautions

CAUTION

- Do not allow children or pets to play on, in, or in front of the appliance. Close supervision is necessary when the appliance is used near children and pets.
- Before discarding or removing your dryer from service, remove the door to the drying compartment to prevent children or animals from becoming trapped inside.
- Do not reach into the appliance when the drum is moving.
- Do not install or store this appliance where it will be exposed to the weather.
- Do not tamper with the controls.
- Do not repair, replace, or attempt to service any part of the appliance unless specifically instructed to in the user-repair instructions and you have the understanding and skills to carry out the procedure.
- Do not use fabric softeners or products to eliminate static unless the softener or product is recommended for dryer use by the manufacturer of the fabric softener or product.
- Clean the lint screen before or after each load.
- Keep the area around the exhaust opening and surrounding areas free from lint, dust, and dirt.
- The interior of the dryer and exhaust duct should be cleaned periodically by qualified service personnel.
- This appliance must be properly grounded. Never plug the power cord into a receptacle that is not grounded adequately or not in accordance with local and national codes. See the installation instructions for information about grounding this appliance.
- Do not sit on top of the dryer.
- Do not dry clothing with large buckles, buttons, or other heavy metal or solid objects.
- Gas leaks may not be detected by smell alone.
- Gas suppliers recommend you purchase and install a UL-approved gas detector.
- Install and use in accordance with the manufacturer's instructions.
- Do not place items in your dryer that have been spotted or soaked with vegetable oil or cooking oil. Even after being washed, these items may contain significant amounts of these oils.

SAVE THESE INSTRUCTIONS

-
- Residual oil on clothing can ignite spontaneously. The potential for spontaneous combustion increases when items containing vegetable oil or cooking oil are exposed to heat. Heat sources such as your dryer can warm these items, allowing an oxidation reaction in the oil to occur. Oxidation creates heat. If this heat cannot escape, the items can become hot enough to catch fire. Piling, stacking, or storing these kinds of items may prevent heat from escaping and can create a fire hazard.
 - All washed and unwashed fabrics that contain vegetable oil or cooking oil can be dangerous.

Washing these items in hot water with extra detergent will reduce, but not eliminate, the hazard. Always use the Cool Down cycle for these items to reduce their temperature. Never remove these items from the dryer hot or interrupt the drying cycle until the items have run through the Cool Down cycle. Never pile or stack these items when they are hot.

SAVE THESE INSTRUCTIONS



Installation requirements

Read through the following instructions before installing the dryer, and keep this manual for future reference.

WARNING

The control board and inlet valve are intentionally not grounded and may present a risk of electric shock only during servicing.

Service personnel - Do not contact these parts while the appliance is energized.

Key installation requirements

- A grounded electrical outlet.
- A power cord for electric dryers (except in Canada).
- Gas lines (for gas models) that must meet national and local regulations.
- An exhaust system made of rigid metal or flexible stiff-walled metal exhaust ducting.

WARNING

Remove the door from all discarded appliances to prevent a child from suffocating.

Location considerations

- Adequate clearances between the dryer and adjacent walls or other surfaces.
- Adequate air circulation for ventilation and gas combustion.
- Away from water and weather.

WARNING

- Make sure to exhaust the dryer outdoors to reduce the risk of fire.
- Keep the dryer area clear of combustible materials, gasoline, and other flammable vapors and liquids.
- Do not install other fuel-burning appliances around or in the same place as the dryer.

The closet front must have two unobstructed air openings for a combined minimum total area of 72 in² with 3" minimum clearance on the top and bottom. A louvered door with equivalent space clearance is acceptable.

Alcove or closet installation

Minimum clearances between the dryer and adjacent walls or other surfaces are: 2" in front, 17" on top, 1" on either side, and 5" in the back.



Ducting requirements

Weather hood type	Recommended		Use only for short-run installation	
	4" (10.2 cm)		2.5" (6.4 cm)	
No. of 90° elbows	Rigid	Metallic flexible*	Rigid	Metallic flexible*
0	80 ft. (24.4 m)	41 ft. (12.4 m)	74 ft. (22.6 m)	33 ft. (10.1 m)
1	68 ft. (20.7 m)	37 ft. (11.2 m)	62 ft. (18.9 m)	29 ft. (8.8 m)
2	57 ft. (17.4 m)	33 ft. (10.1 m)	51 ft. (15.5 m)	25 ft. (7.6 m)
3	47 ft. (14.3 m)	29 ft. (8.8 m)	41 ft. (12.5 m)	21 ft. (6.5 m)

NOTE

* Use a 4-inch (10.2 cm) diameter rigid aluminum or galvanized steel duct.

If you integrate the dryer's vent system with an existing exhaust system:

- Make sure the exhaust system meets all applicable local, state, and national regulations.
- Verify you are not using flexible plastic duct.
- Make sure to check for and remove all lint buildup from inside the existing ducts.
- Confirm the duct is not kinked or crushed.
- Make sure the exhaust hood damper opens and closes freely.

Manometer measurements

The static pressure in any exhaust system must not exceed 0.83 inches of water column or be less than 0. Note that these values are measured with the dryer running with a manometer presented to the exhaust duct that connects to the dryer. The dryer tumbler must be empty and lint filter clean.



Installation requirements

Exhausting requirements

The dryer must not be exhausted into a chimney, a wall, a ceiling, an attic, a crawl space, or a concealed space of a building. Exhausting the dryer to the outside will prevent large amounts of lint and moisture from being blown into the room.

- If your existing ductwork is plastic, non-metal, or combustible, replace it with metal.
- Use only a metal exhaust duct that is non-flammable to ensure containment of exhaust air, heat, and lint.

In the United States and Canada

- All dryers must be exhausted to the outside.
- The required exhaust duct is 4 inches (10.2 cm) in diameter.
- See “**Ducting requirements**” in the “**Installation**” section for the maximum duct length and number of bends that can be used.
- The total length of flexible metal duct must not exceed 7' 10½" (2.4 m).
- Do not assemble the duct with screws or other fasteners that extend into the duct and catch lint.
- **For the United States only:** Use only those foil-type flexible ducts, if any, specifically identified for use with the appliance by the manufacturer and that comply with the Outline for Clothes Dryer Transition Duct. Use Subject 2158A.

Outside the United States and Canada

- Refer to the local codes.

WARNING

- You must exhaust the dryer to the outside to reduce the risk of fire when you install the dryer in an alcove or closet.
- Do not use a plastic or non-metal flexible duct.



Gas requirements

WARNING

- Use only natural or LP (liquid propane) gases.
- THE INSTALLATION MUST CONFORM WITH LOCAL CODES, OR IN THE ABSENCE OF LOCAL CODES, WITH THE NATIONAL FUEL GAS CODE ANSI/Z223.1, LATEST REVISION (FOR THE UNITED STATES), OR WITH THE CAN / CGA-B149 INSTALLATION CODES (FOR CANADA).
- Gas dryers are equipped with a burner vent for use with natural gas. If you plan to use your dryer with LP (liquid propane) gas, it must be converted for safe and proper performance by a qualified service technician.
- A ½" (1.27 cm) gas supply line is recommended and must be reduced to connect to the ¾" (1 cm) gas line on your dryer. The National Fuel Gas Code requires that an accessible, approved manual gas shut-off valve be installed within 6" of your dryer.
- Gas dryers installed in residential garages must be raised 18 inches (46 cm) above the floor.
- Additionally, a ⅛" (0.3 cm) N.P.T. (National Pipe Thread) plugged tapping, accessible for test gauge connection, must be installed immediately upstream of your dryer's gas supply connection.
- Your dryer must be disconnected from the gas supply pipe system during any pressure testing of the system.

- Do not reuse old flexible metal gas lines. Flexible gas lines must be design certified by the American Gas Association (CGA in Canada).

NOTE

- Your dryer uses an automatic ignition system to ignite the burner. There is no constant burning pilot.
- Any pipe joint compound used must be resistant to the action of any liquefied petroleum gas.
- As a courtesy, most local gas utilities will inspect a gas appliance installation.

Commonwealth of Massachusetts installation instructions

Your dryer must be installed by a licensed plumber or gas fitter. A "T" handle manual gas valve must be installed in the gas supply line to your dryer. If a flexible gas connector is used to install your dryer, the connector can be no longer than 3' (36").

WARNING

- Gas leaks may occur in your system, creating a dangerous situation.
- Gas leaks may not be detected by smell alone.
- Gas suppliers recommend you purchase and install a UL-approved gas detector.
- Install and use in accordance with the manufacturer's instructions.



Installation requirements

Electrical requirements

The wiring diagram is located on the plate under the control panel or rear frame.

WARNING

- Improperly connecting the equipment grounding conductor can result in a risk of electric shock. Check with a qualified electrician or serviceman if you are in doubt as to whether your dryer is properly grounded. Do not modify the plug provided with your dryer – if it doesn't fit the outlet, have a proper outlet installed by a qualified electrician.
- To prevent unnecessary risk of fire, electrical shock, or personal injury, all wiring and grounding must be done in accordance with local codes, or in the absence of local codes, in accordance with the National Electrical Code, ANSI/NFPA No. 70-Latest Revision (for the U.S.) or the Canadian Electrical Code CSA C22.1 - Latest Revisions and local codes and ordinances. It is your responsibility to provide adequate electrical service for your dryer.
- All gas installations must be done in accordance with the national Fuel Code ANSI/Z2231 - Latest Revision (for the U.S.) or CAN/CGA - B149 Installation Codes - Latest Revision (for Canada) and local codes and ordinances.

Grounding

This dryer must be grounded. In the event of a malfunction or breakdown, the ground will reduce the risk of electrical shock by providing a path of least resistance for the electrical current.

Gas models

WARNING

- Your dryer has a cord with an equipment-grounding conductor and a grounding plug. The plug must be plugged into an appropriate outlet that is properly installed and grounded in accordance with all local codes and ordinances.
- Do not modify the plug provided with your dryer – if it doesn't fit the outlet, have a proper outlet installed by a qualified electrician.
- Do not connect the ground wire to plastic plumbing lines, gas lines, or hot water pipes.

Electric models

WARNING

- Your dryer has an optional cord with an equipment-grounding conductor and a grounding plug. This cord is sold separately.
- The plug must be plugged into an appropriate outlet that is properly installed and grounded in accordance with all local codes and ordinances.
- Do not modify the plug provided with your dryer – if it doesn't fit the outlet, have a proper outlet installed by a qualified electrician.



- If a power cord is not used and the electric dryer is to be permanently wired, the dryer must be connected to a permanently grounded metal wiring system, or an equipment grounding conductor must be run with the circuit conductors and connected to the equipment grounding terminal or lead on the dryer.

Electrical connections

Before operating or testing, follow all grounding instructions in the “**Grounding**” section. An individual branch (or separate) circuit serving only your dryer is recommended.

Do not use an extension cord.

Gas models – U.S. and Canada

A 120 volt, 60 Hz AC approved electrical service with a 15-ampere fuse or circuit breaker is required.

Electric models – U.S. only

Most U.S. dryers require a 120 / 240 volt, 60 Hz AC approved electrical service. Some require 120 / 208 volt, 60 Hz approved electrical service. The electric service requirements can be found on the data label located behind the door. A 30-ampere fuse or circuit breaker on both sides of the line is required.

- If a power cord is used, the cord should be plugged into a 30-ampere receptacle.
- The power cord is not provided with U.S. electric model dryers. This cord is sold separately.

WARNING

Risk of Electric Shock

When local codes allow, you can connect the dryer’s electrical supply with a new power supply cord kit, marked for use with a dryer, that is U.L. listed and rated at a minimum of 120 / 240 volts, 30-amperes with three No. 10 copper wire conductors terminated with closed loop terminals, open-end spade lugs with turned up ends, or with tinned leads.

- Do not reuse a power supply cord from an old dryer. The power cord electric supply wiring must be supported at the dryer cabinet by a suitable UL-listed strain relief.
- Grounding through the neutral conductor is prohibited for (1) new branch-circuit installations, (2) mobile homes, (3) recreational vehicles, and (4) areas where local codes prohibit grounding through the neutral conductor. (Use a 4-prong plug for a 4 wire receptacle, NEMA type 14-30R.)

Electric models – Canada Only

- A 120 / 240 volt, 60 Hz AC approved electrical service fused through a 30-ampere fuse or circuit breaker on both sides of the line is required.
- All Canadian models are shipped with the power cord attached. The power cord should be plugged into a 30-ampere receptacle.

NOTE

In Canada, you may not convert a dryer to 208 volts.

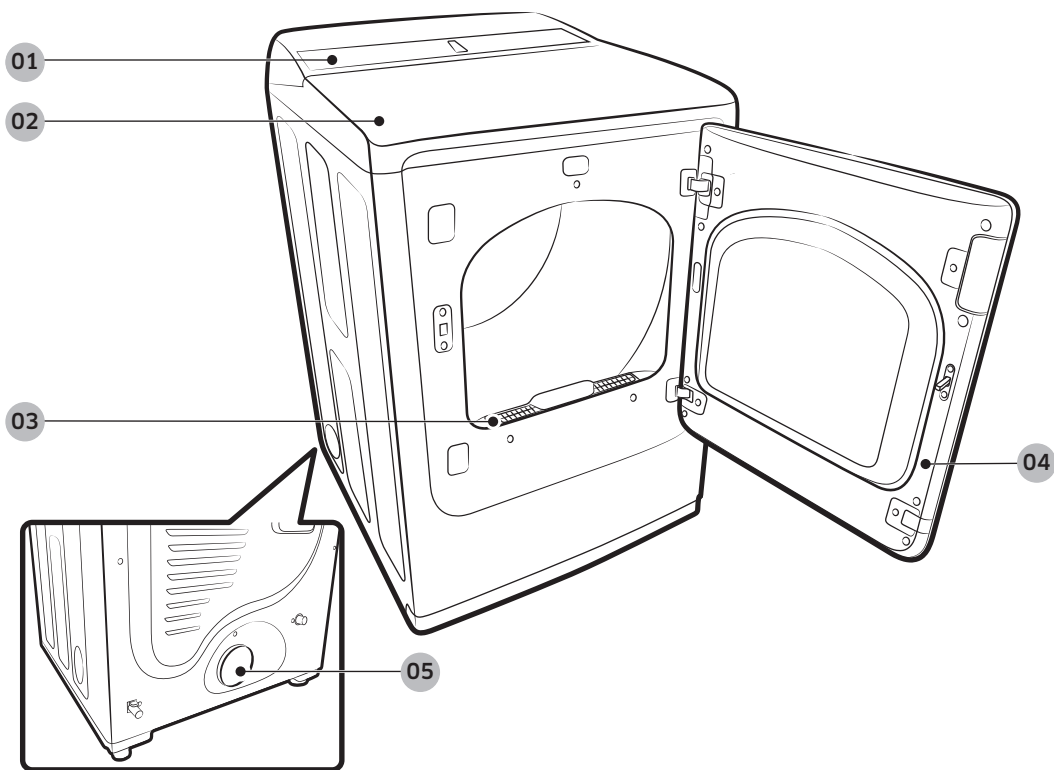
Installation

This dryer must be installed by a qualified technician. The installer is responsible for connecting the dryer to the main power while observing the relevant safety regulations of your area.

What's included

Make sure all the parts are included in the product package. If you have a problem with the dryer or the accessories, contact a local Samsung service center or the retailer.

Installation



Dryer at a glance

01 Control panel

02 Worktop

03 Filter

04 Door

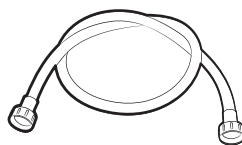
05 Exhaust duct

Accessories & tools (applicable models only)

Accessories



Y connector



Water hose
(Canadian models only)

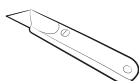


Short water hose

Required tools



Pliers



Cutting knife



Pipe wrench
(gas models only)



Nut screwdriver



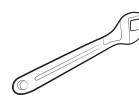
Level



Philips screwdriver



Duct tape



Wrench

WARNING

Packing materials can be dangerous to children. Keep all packing materials (plastic bags, polystyrene, etc.) out of children's reach.



Installation

Step-by-step installation

Make sure you have a qualified technician install the dryer. Step by step installation instructions start below.

STEP 1 Install the exhaust system

1. Select a location and move the dryer to the site. For easy access, we recommend you install the dryer in the same location as your washer.
2. To change the door direction, see “Switching the door position”.
3. Install the exhaust system as instructed in the “Exhaust ducting guide” section.

NOTE

- To move the dryer easily, lay two of the carton cushions from the packaging on the floor. Tip the dryer on its side so it lies across both cushion-tops. Push the dryer so that it is near its final location, and then set the dryer upright.
- Secure room around the dryer to facilitate ducting and wiring.

STEP 2 Connect the gas line

First, read through the “Gas requirements” section, and follow these steps.

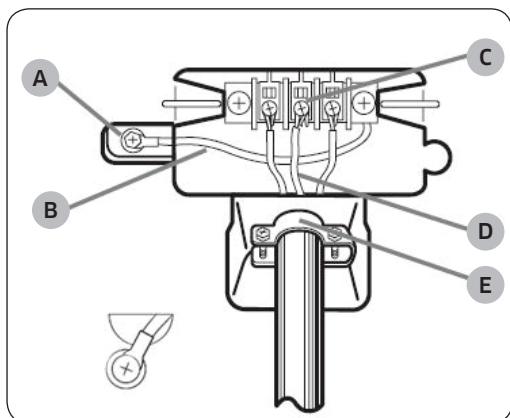
1. Remove the protective cap from the gas pipe.
2. Apply a LPG (Liquefied Petroleum Gas)-safe compound or 1.5 wraps of Teflon tape to all threaded connections.
3. Connect the gas supply to the dryer. An additional fitting is required to connect the 3/4” (1.9 cm) female thread end of a flexible connector to the 3/8” (1 cm) male threaded end on the dryer. Tighten up the fitting over all threads.
4. Turn on the gas supply, and check for any leaks using a soap solution. If a leak is found, tighten the connections and try again. **DO NOT** use an open flame to check for gas leaks.



STEP 3 Connect the electrical wiring

First, read through the “Electrical requirements” section, and then follow these steps.

3-wire system



- A. External ground connector
- B. Neutral grounding wire (white)
- C. Center silver-colored terminal block screw
- D. Neutral wire (white or center wire)
- E. $\frac{3}{4}$ " (1.9 cm) UL-listed strain relief

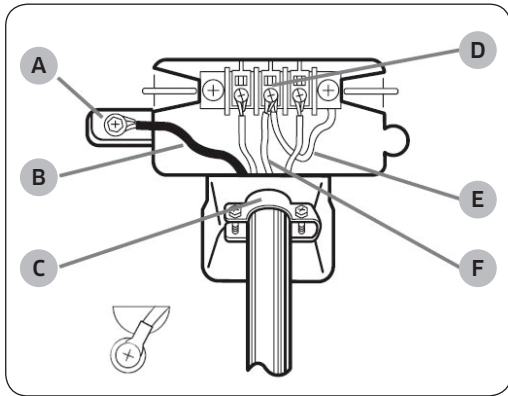
1. Loosen or remove the center terminal block.
2. Connect the neutral wire (white or center wire) of the power cable to the center, silver-colored terminal screw of the terminal block. Tighten the screws.
3. Connect the other wires to outer terminal block screws. Tighten the screws.
4. Tighten the strain relief screws.
5. Insert the terminal block cover into the rear panel of the dryer. Then, secure the cover with a hold-down screw.

CAUTION

- To convert from the 4-wire system to 3-wire system, connect the ground strap to the terminal block support to ground the dryer frame to the neutral conductor.
- Ring-type terminals are recommended. If using strap terminals, make sure they are tightened.

Installation

4-wire system



- A. External ground connector
- B. Green or bare copper wire of power cord
- C. $\frac{3}{4}$ " (1.9 cm) UL-listed strain relief
- D. Center silver-colored terminal block screw
- E. Neutral grounding wire (white)
- F. Neutral wire (white or center wire)

1. Remove the external ground connector's screw, and connect the ground wire (green or unwrapped) of the power cable to the screw.

CAUTION

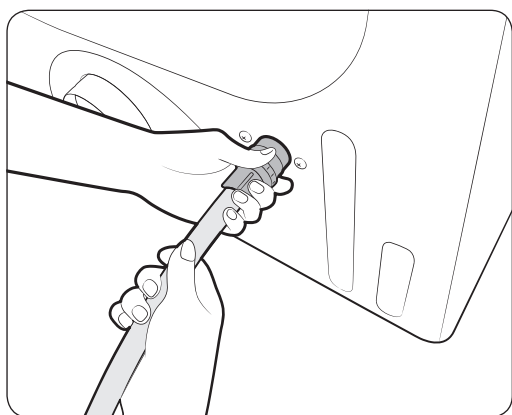
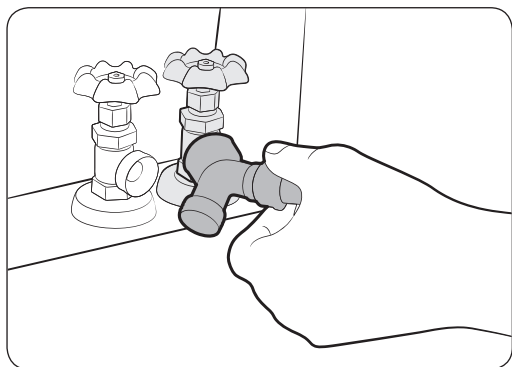
- To connect the ground wire to the neutral position without through contact A (cabinet ground), contact a technician. This is not user serviceable.
 - Ring-type terminals are recommended. If using strap terminals, make sure they are tightened.
2. Loosen or remove the screws from the center terminal block.
 3. Connect the neutral wire (white or center wire) and ground wire (white) to the center screw of the terminal block. Tighten the screw.
 4. Connect the other wires to the outer terminal block screws. Tighten the screws.
 5. Tighten the strain relief screws.
 6. Insert the tab of the terminal block cover into the rear slot of the dryer. Secure the cover with a hold-down screw.

WARNING

- All U.S. models are designed for a 3-wire system connection. The dryer frame is grounded to the neutral conductor at the terminal block. A 4-wire system connection is required for new or remodeled construction, mobile homes, or if local codes do not permit grounding through neutral. If you use the 4-wire system, you cannot ground the dryer frame to the neutral conductor at the terminal block.
- Remove the terminal block cover plate. Insert the power cord with a UL-listed strain relief through the hole provided in the cabinet near the terminal block.
- A strain relief must be used. Do not loosen the nuts already installed on the terminal block. Be sure they are tight. Use a $\frac{3}{8}$ " (1 cm) deep well socket.

STEP 4 Connect the water hose (applicable models only)

The dryer must be connected to a cold water tap using the provided water hoses.

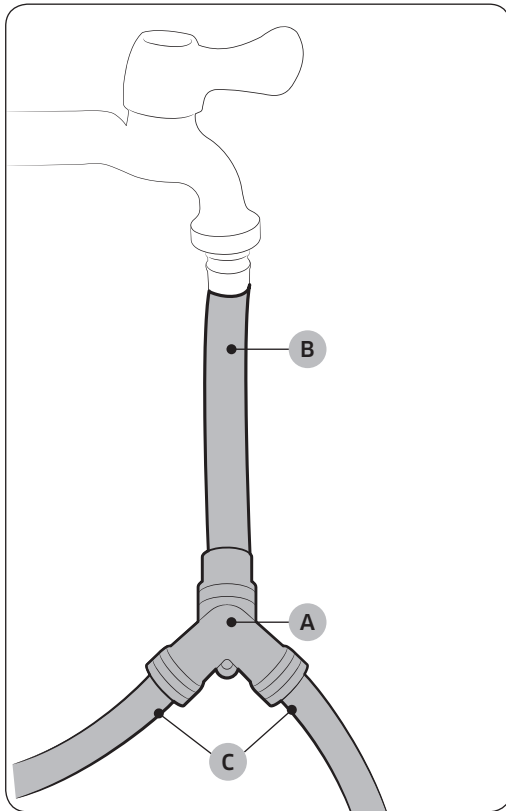


1. Close the cold water tap. If you have a washer cold water hose attached to the cold water faucet, unscrew and remove the hose. Then, connect the female end of the Y connector to the cold water tap.
2. Connect the straight end of the water hose to the Y connector.
3. Using pliers, tighten the coupling an additional two-thirds turn. Do not overtighten because the coupling may be damaged.
4. Connect the angled end of the water hose to the filling valve at the bottom of the rear frame. Turn the coupling manually until it is tight.
5. Using pliers, tighten the coupling an additional two-thirds turn. Do not overtighten because the coupling may be damaged.
6. If you detached the cold water hose from your washer, attach the hose to the open end of the Y connector, tighten the coupling until it is tight, and then, using a pliers, tighten an additional two-thirds turn.
7. Open the cold water tap, and then check for any leaks.

If the Y connector cannot be directly connected to the cold water tap, use the short hose as shown on the following page.

Installation

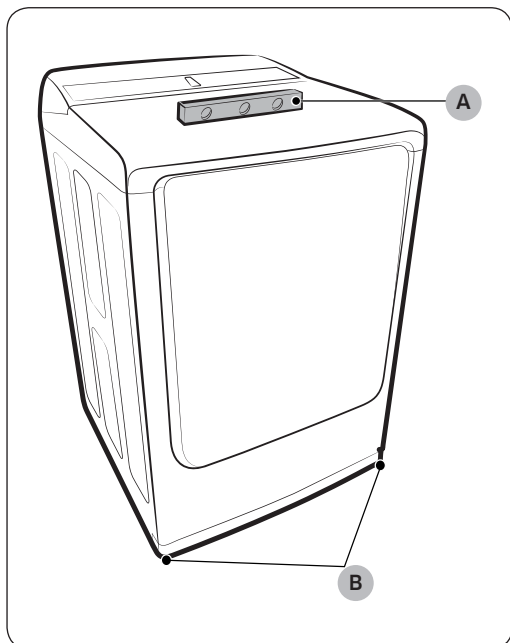
Using the short hose as an extension



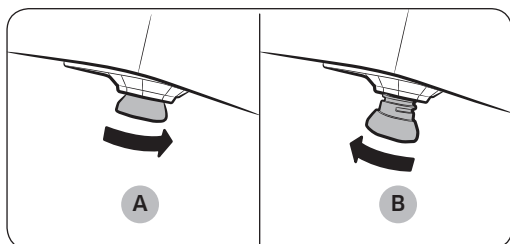
1. Close the cold water tap. If you have a washer cold water hose attached to the cold water faucet, unscrew and remove the hose. Then, connect the **short hose (B)** to the cold water tap. Turn the coupling manually until it is tight.
2. Using pliers, tighten the coupling an additional two-thirds turn. Do not overtighten because the coupling may be damaged.
3. Connect the **Y connector (A)** to the brass male end of the short hose. Turn the coupling manually until it is tight.
4. Using pliers, tighten the coupling an additional two-thirds turn. Do not overtighten because the coupling may be damaged.
5. Connect the angled end of the **water hoses (C)** to the filling valve at the bottom of the rear frame. Turn the coupling manually until it is tight.
6. Using pliers, tighten the coupling an additional two-thirds turn. Do not overtighten because the coupling may be damaged.
7. If you detached the cold water hose from your washer, attach the hose to the free end of the Y connector, tighten the coupling until it is tight, and then, using a pliers, tighten an additional two-thirds turn.
8. Open the cold water tap, and then check for any leaks.

STEP 5 Level the dryer

To ensure optimal performance, the dryer must be level.



1. Using a **level (A)**, check if the dryer is level side to side and then front to back. If the dryer is not level, adjust the **leveling feet (B)** at the bottom of the dryer. Then, check if the dryer is level again.



NOTE

- To set the dryer to the same height as your washer, fully **retract (A)** the leveling feet by turning them counterclockwise, then **loosen (B)** the feet by turning them clockwise. Once the dryer is the same height as the washer, follow the directions above to level the dryer.
- Adjust the leveling feet only as much as necessary to level the dryer. Extending the leveling feet more than necessary can cause the dryer to vibrate.

Installation

STEP 6 Power on (Gas models)

Make sure all gas connections, the exhaust line, and all wiring is connected correctly. Then, plug the power cord into a power source and check the dryer's installation and operation using the final checklist in Step 7 below.

STEP 7 Final Check

When installation is complete, confirm that:

- The dryer is plugged into an electrical outlet and grounded properly.
- The exhaust ductwork is connected and the joints are taped.
- You have used rigid or stiff-walled flexible metal duct material, not plastic flexible duct.
- The dryer is level and is sitting firmly on the floor.
- The dryer starts, runs, heats, and shuts off properly.

For gas models:

- The gas is supplied properly with no leaks.

CAUTION

The burner may not ignite initially due to air in the gas line. Allowing your dryer to operate on a heat setting will purge the line. If the gas does not ignite within 5 minutes, turn your dryer off and wait 5 minutes. Be sure the gas supply to your dryer has been turned on. To confirm gas ignition, check the exhaust for heat.

Vent blockage test

After the dryer is installed, start the Vent Blockage Test to check if the duct system is properly installed. The Vent Blockage Test automatically detects the status of duct and reports any blockage or problems to the user. Proper ducting can reduce drying time and save energy.

NOTE

The Vent Blockage Test must run at cool state. If the dryer warms up after the installation check, run the AIR FLUFF cycle for several minutes to reduce its internal temperature.

Operation method

1. Make sure the drum is empty and close the door.
(If there are any clothes or other items in the drum, a correct test can not be made.)
2. Press the **POWER** button to turn the dryer on, then simultaneously press and hold the **Cycle 1 + Wrinkle Prevent** buttons for 3 seconds.
When entering the Vent Blockage Test, "InS" appears in the display.
(If other procedures are started before entering the Vent Blockage Test, the dryer does not enter the Vent Blockage Test.)

3. The Vent Blockage Test starts immediately after pressing the **START/PAUSE** button. During the test, the number indicator makes a circle in 6 steps clockwise. The test takes about 2 minutes. Do not open the door during the test.
4. After 2 minutes, if the test has completed, the result is displayed and a tone is given. If status of the duct system is normal, "0" appears and a completion sound is given. If the duct system can not exhaust properly, "CLg" appears and an alarm sound is given. In case of any other problem, an information code appears. Check the information codes in this manual.
 - To stop or cancel the Vent Blockage Test, press the **POWER** button to turn off your dryer.
 - During the test, if "dc" appears, make sure the door is closed. If "C1" is displayed, make sure the drum has laundry inside.
 - The result displays for about 5 minutes and then automatically turns off. You may turn the result directly off by pressing the **POWER** button.

NOTE

- During or after the test, the internal drum is hot. Use caution to prevent burns. The Vent Blockage Test is used to check for problems to the current duct system when the dryer is installed for the first time.
- If the test result displays "CLg" (the duct system is blocked), refer to "**Ducting requirements**" and "**Exhaust ducting guide**" section of this manual and take proper measures for drying.

If the test is suspended, it could result in incorrect results. Follow the proper procedures when testing the dryer.
- Even if the test result is normal ("0"), the duct system could be blocked slightly. Properly install all duct work according to the installation instructions of this manual.

Installation

Exhaust ducting guide

Ducting

1. Make sure the dryer is installed properly so the air exhausts freely.
2. Use 4-inch rigid metal ducts. Tape all joints including the dryer connection. Never use lint-trapping screws.
3. To facilitate the exhaust, keep the ducts as straight as possible.

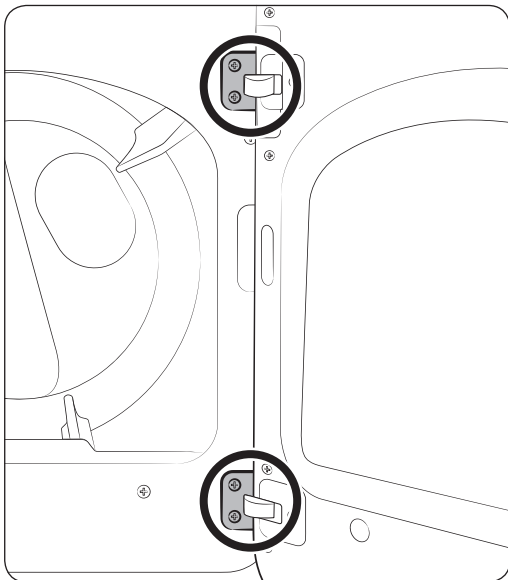
Cleaning

Clean all old ducts before installing the dryer, and make sure the vent flap opens and closes freely. We recommend that you to clean the exhaust system annually or on a regular basis.

WARNING

- To prevent fire, do not use plastic, thin-foil, or non-metal flexible ducts of any kind.
- Do not use a poor exhaust system because it slows down the dryer's performance.
- Do not use excessively long ducts that have multiple elbows.
- Do not use crushed or clogged venting or ducts.

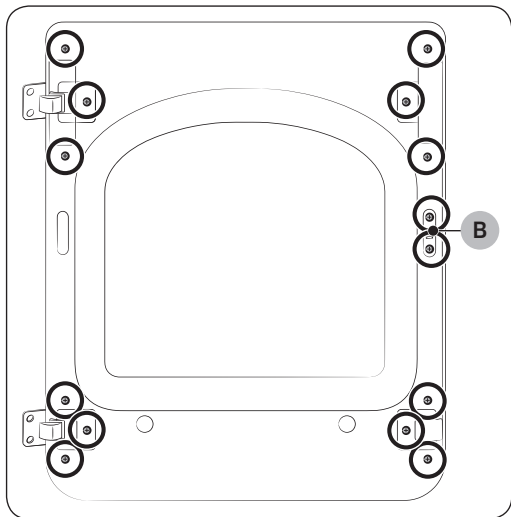
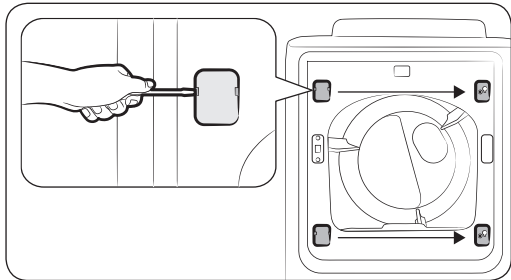
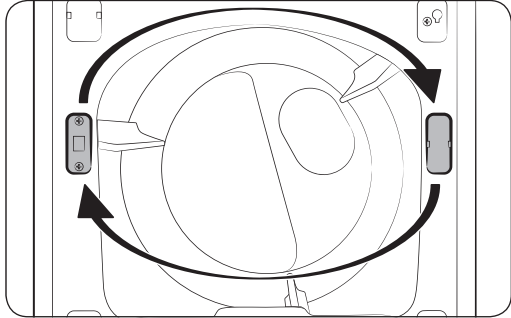
Switching the door position



To reverse the direction of the door, we recommend that you contact a qualified technician.

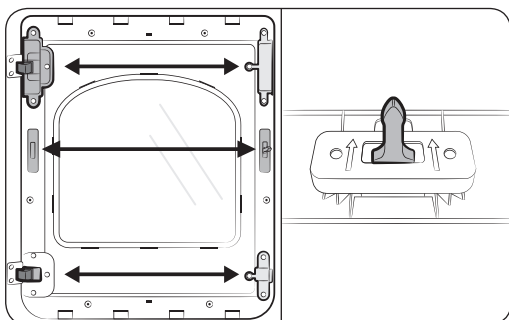
It is recommended to put a soft rug on the floor to prevent scratches on the door.

1. Unplug the power cord of the dryer.
2. Remove the four hinge screws from the door, and then remove the door by lifting it up slightly.

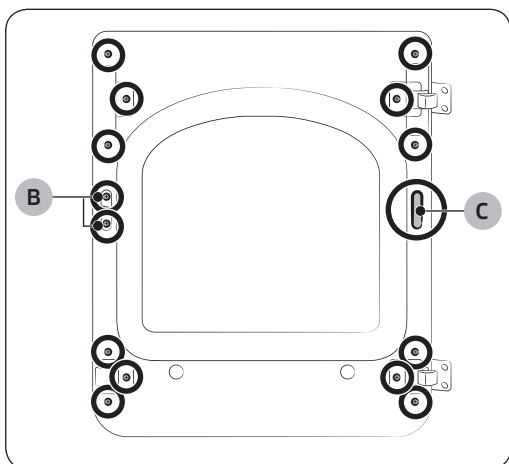


3. Remove the two screws from the lever holder, and then remove the holder cover.
4. Put the lever holder on the other side as shown, and then tighten the screws. Install the holder cover on the opposite side as shown.
5. Use a flat-head screwdriver to remove the two hinge covers from the original side. Install the hinge covers on the opposite side as shown.
6. Locate and remove the 14 screws as shown. Note that **screw B (x2)** is longer than the others.

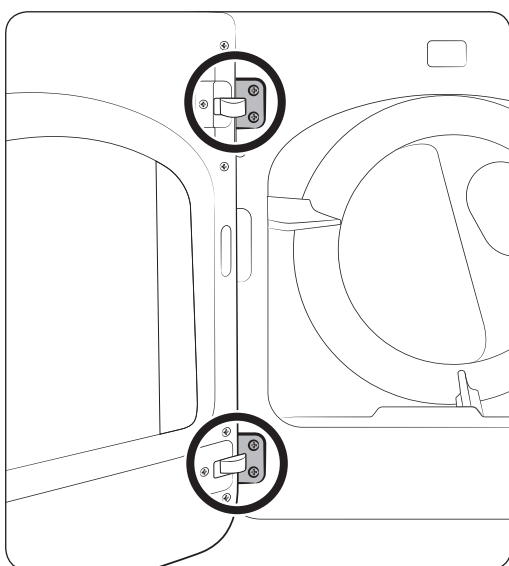
Installation



7. Remove the glass holder, and switch the positions of:
 - a. the hinge cover and the door handle.
 - b. the hinge holder and the glass-guide holder
8. Remove the door lever, and then move it to the other side as shown.



9. Remove the **hole cover (C)**, and then insert and tighten the glass holder using the removed 14 screws.
10. Install the hole cover on the opposite side as shown.



11. Reinstall the door on the front frame, and then carefully insert and tighten the 4 hinge screws.

Before you start

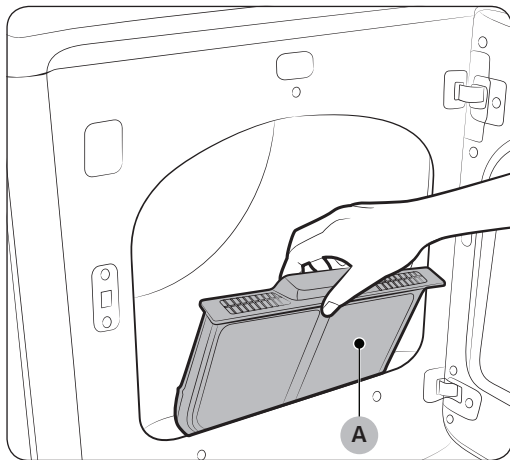
Here are a few things you should know before starting your dryer.

Sort and load

- Put one wash load in the dryer at a time.
- Do not mix heavy and lightweight items together.
- To improve drying efficiency for one or two items, add a dry towel to the load.
- For best results, untangle items before inserting them into the dryer.
- Overloading reduces the tumbling action, resulting in uneven drying and wrinkling.
- Unless recommended on the care label, do not dry woolens or fiberglass items.
- Avoid drying unwashed items.
- Do not dry items soiled with oil, alcohol, gasoline, etc.

Functional prerequisite

Lint filter



To prevent a risk of fire, make sure to clean the lint filter before or after every load.

1. Turn off the dryer.
2. Open the door, and pull out the **lint filter (A)** from inside the tumbler.
3. Remove the lint that has accumulated, and then clean the lint filter.
4. Reinsert the lint filter, and then close the door.

CAUTION

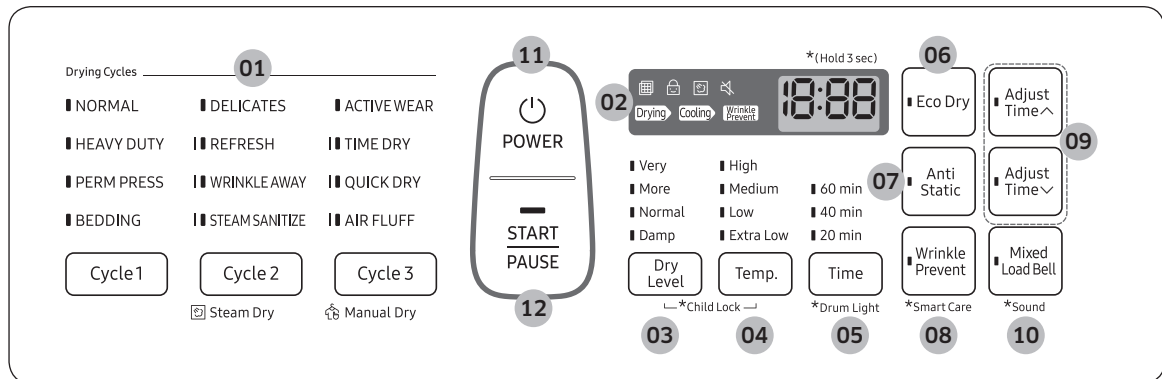
- Do not operate the dryer without the lint filter in place.
- Do not use a damaged or broken lint filter. This may reduce performance and/or cause fire.

Operations

⚠ WARNING



To reduce the risk of fire, electric shock, or injury to persons, read the “Safety information” before operating this appliance.

Feature panel



Operations

<p>01 Cycle Panel</p>	<p>The dryer lets you select a cycle from the left-most panel. This cycle panel consists of 3 sections and corresponding section buttons: Cycle 1, Cycle 2, and Cycle 3.</p> <p>Check each section and press the corresponding section button to select a cycle that fits your need.</p> <ul style="list-style-type: none"> • Sensor Dry cycles: The dryer senses the internal humidity that will be applied to the drying time. This category includes: NORMAL, HEAVY DUTY, PERM PRESS, BEDDING, DELICATES, and ACTIVE WEAR. • Steam Dry cycles: The dryer sprays water into the drum to deodorize clothes and reduce static electricity and wrinkles. This category includes REFRESH, WRINKLE AWAY, and STEAM SANITIZE. • Manual Dry cycles: The drying time is fixed. This category includes: TIME DRY, QUICK DRY and AIR FLUFF.
<p>02 Digital Graphic Display</p>	<p>Displays all cycle information, including the cycle time, information code, and operating status.</p> <ul style="list-style-type: none"> • Filter Check • Child Lock • Steam

03 Dry Level	<p>Press Dry Level to select a dry level from the options available. The corresponding indicator turns on.</p> <ul style="list-style-type: none"> • Larger or bulkier loads may require Very Dry or More Dry for complete dryness. • Damp Dry is designed to partially dry items. Use for items that lay flat or hang to dry. <p> NOTE This option is not available with: AIR FLUFF, ACTIVE WEAR, TIME DRY, QUICK DRY, REFRESH, WRINKLE AWAY, and STEAM SANITIZE.</p>
04 Temp.	<p>Press Temp. to change the temperature of the current cycle.</p> <ul style="list-style-type: none"> • High: For sturdy cottons or those labeled Tumble Dry. • Medium: For permanent press, synthetics, lightweight cottons, or items labeled Tumble Dry Medium. • Low: For heat sensitive items labeled Tumble Dry Low or Tumble Dry Warm. • Extra Low: Provides the lowest heated drying temperature possible.
05 Time	<p>Press Time to select a drying time for the selected cycle. This is available only with TIME DRY, QUICK DRY, AIR FLUFF, and WRINKLE AWAY.</p>
06 Eco Dry	<p>This function is available with NORMAL and TIME DRY. With the Eco Dry activated, drying takes a longer time but the power consumption is reduced.</p> <p>The drying time can be extended by up to 3 times depending on the temperature and load. The Eco Dry function is enabled by default.</p>
07 Anti Static	<p>Reduces static electricity that occurs from clothing friction. This is done by spraying steam in a later stage of the drying cycle.</p> <p> NOTE The Anti Static function is only available with NORMAL, HEAVY DUTY, PERM PRESS, DELICATES, and TIME DRY.</p>
08 Wrinkle Prevent	<p>Wrinkle Prevent provides approximately 180 minutes of intermittent tumbling in unheated air at the end of the cycle to reduce wrinkling. Press Wrinkle Prevent to activate this feature. The load is dry and can be removed at any time during the Wrinkle Prevent cycle.</p>

Operations

09 Adjust Time	You can change the set time for the selected cycle. This is available only with TIME DRY, QUICK DRY, AIR FLUFF, and WRINKLE AWAY. To change the cycle time, press Adjust Time ^ or Adjust Time v until the desired time is displayed.
10 Mixed Load Bell	The Mixed Load Bell notifies you when the average dry level in a load is damp dry (80 % dried). This lets you take items that you don't want fully dried or that dry quickly out of the dryer early while letting others continue to dry. You can select this option in all Sensor Dry cycles except for AIR FLUFF, ACTIVE WEAR, TIME DRY, QUICK DRY, REFRESH, WRINKLE AWAY, and STEAM SANITIZE. Available dry levels are Normal Dry, More Dry, and Very Dry.
11 POWER	Press to turn on/turn off the dryer.
12 START/PAUSE	Press and hold to start operation, or press to stop operation.

NOTE

Extremely tangled items finished by the washer may degrade the drying efficiency or cause the door to open. We recommend that you untangle the items before drying. Do not put objects on the dryer, especially on the feature panel.

CAUTION

Do not spray water to the feature panel. This may cause a system failure.

Simple steps to start

1. Press **POWER** to turn on the dryer.
2. Press to select a cycle in the left-most panel.
3. Change the cycle settings (**Dry Level**, **Temp.** and **Time**) as necessary.
4. Optionally, you can activate options available by pressing the relevant button (**Anti Static**, **Eco Dry**, **Mixed Load Bell**, and/or **Wrinkle Prevent**).
5. Press **START/PAUSE**. The dryer indicator turns on with an estimated cycle time on the display.

To change the cycle during operation

1. Press **START/PAUSE** to stop operation.
2. Select a different cycle.
3. Press **START/PAUSE** again to start the new cycle.

Operations

Cycle overview

Sensor Dry

Cycle	Description
NORMAL	For most fabrics including cottons and linens. If NORMAL is selected, the Eco Dry function is enabled by default. For more information, see Eco Dry in the “Feature panel” section.
HEAVY DUTY	For drying items made out of heavy fabrics, such as jeans, corduroys, or work clothes, with high temperature heat.
PERM PRESS	Dry wrinkle-free cottons, synthetic fabrics, knits, and permanent press fabrics automatically.
BEDDING	For bulky items such as blankets, sheets, and comforters.
DELICATES	For heat-sensitive items at a low drying temperature.
ACTIVE WEAR	For exercise wear and outdoor wear such as sports jerseys, training pants, water-repellent jackets, and other performance clothing. Thick fabrics like a zipper or velcro closure of a jacket, or training socks may not be completely dried.

Steam Dry

Cycle	Description
REFRESH	Use to smooth out wrinkles and reduce odors in loads of one to four items. With this cycle selected, a small amount of water is sprayed into the dryer drum after several minutes of tumbling with heat. Confirm that the laundry load is dry.
WRINKLE AWAY	For best results, load 2-3 items at once. You can extend the drying time by a minimum of 20 minutes, depending on the item type or load. Confirm that the laundry load is dry.
STEAM SANITIZE	Use to sanitize items by applying steam and high-temperature heat to the fabric. This cycle can make items soft and reduce smells. Confirm that the laundry load is wet or partially wet.

Manual Dry

Cycle	Description
TIME DRY	You can specify a cycle time in minutes. If TIME DRY is selected, the Eco Dry function is enabled by default. For more information, see Eco Dry in the “ Feature panel ” section.
QUICK DRY	A quick drying cycle running for 30 minutes
AIR FLUFF	Tumbles the load in room temperature air.

Operations

Drying guide

The best way to dry items is to follow the instructions on the care label. If no drying instructions are provided, see the following table for reference.

Cycle	Description
Bedspreads & Comforters	Follow the care label instructions or dry using BEDDING. <ul style="list-style-type: none"> • Make sure the item is thoroughly dry before using or storing. • May require repositioning in the drum to ensure even drying.
Blankets	Use NORMAL and dry only one blanket at a time for best tumbling action. <ul style="list-style-type: none"> • Make sure blankets are is thoroughly dry before using or storing.
Curtains & Draperies	Use PERM PRESS and the Medium temperature setting to help minimize wrinkling. <ul style="list-style-type: none"> • Dry curtains and draperies in small loads for best results and remove as soon as possible after the cycle is complete.
Cloth Diapers	Use NORMAL and the High temperature setting for soft, fluffy diapers.
Down-filled Items (jackets, sleeping bags, comforters, etc.)	Use NORMAL and the Medium temperature setting. <ul style="list-style-type: none"> • Add a couple of dry towels to absorb moisture and shorten drying time.
Foam Rubber (rug backs, stuffed toys, shoulder pads, etc.)	Do not dry on a heat setting. Use AIR FLUFF. ⚠ WARNING Drying a rubber item with heat may damage it or cause a fire.
Pillows	Use NORMAL. <ul style="list-style-type: none"> • Add a couple of dry towels and a pair of clean sneakers to help the tumbling action and to fluff the pillows. • Do not dry kapok or foam pillows using a heated drying cycle. You can dry these items in the dryer only if you use AIR FLUFF.
Plastics (shower curtains, outdoor furniture covers, etc.)	Use AIR FLUFF or TIME DRY and the Low or Extra Low temperature settings depending on the care label instructions.

⚠ WARNING

Do not dry:

- Fiberglass items (curtains, draperies, etc.)
- Woolens, unless recommended on the label
- Items spotted or soaked with vegetable or cooking oils

Special features

Child Lock

Child Lock prevents children from playing with the dryer. When Child Lock is activated, all buttons except for the **POWER** button are disabled.

To activate/deactivate Child Lock, simultaneously press and hold **Dry Level** and **Temp.** for 3 seconds.

NOTE

Once Child Lock is activated, it will remain active even after you restart the dryer. If other buttons, except for the **POWER** button, do not respond, check the Child Lock indicator. If the indicator is on, follow the instructions above to turn Child Lock off.

Drum Light

To turn on the drum light while the dryer is running, press and hold **Time** for 3 seconds.

NOTE

After 2 minutes of inactivity, the drum light automatically turns off.

Sound On/Off

To turn off the dryer's notification beeps and melodies, press and hold **Mixed Load Bell** for 3 seconds.

To unmute the dryer, press and hold **Mixed Load Bell** again for 3 seconds.

NOTE

This function remains active even after you restart the dryer.

Operations

Smart Care

If the dryer displays an information code, you can use Smart Care to check the status of the dryer on a smartphone. To use Smart Care, you must have the Samsung Smart Care app installed on your smartphone.

NOTE

Smart Care is optimized for Samsung Galaxy and Apple iPhones. (Not compatible with some models).

Download the Samsung Smart Care app from the Google Play Store or Apple App store (Search term: “**Samsung Smart Washer/Dryer**”), and install it on your smartphone.

If an information code appears on the dryer, follow these steps:

1. Press and hold **Wrinkle Prevent** for 3 seconds to activate Smart Care. The Smart Care indicator turns on.
2. Open the Smart Care app on your smartphone.
3. Put the smartphone's camera close to the display of the dryer. The app automatically recognizes the information code, and displays suggestions on your smartphone.
4. If the smartphone fails to recognize the information code more than twice, type the information code manually into the Smart Care app.

CAUTION

- If light is reflected on the display of the dryer, the smartphone may not recognize the information code.
- If you hold the smartphone at an angle to the dryer's display, the smartphone may not recognize the information code. For best results, hold the smartphone so that the front of the panel and the smartphone are parallel or nearly parallel.
- After you use this function, the dryer will delete the record of the information code from its code log.

Maintenance

Keep the dryer clean to prevent decreased performance and to lengthen its life.

WARNING

The control board and inlet valve are intentionally not grounded and may present a risk of electric shock only during servicing.

Service personnel - Do not contact these parts while the dryer is energized.

Cleaning

Feature panel

- Clean with a soft, damp cloth. Do not use abrasive substances.
- Do not spray liquid cleaning agents directly on the display of the dryer.
- Some laundry pre-treatment soil and stain removers may damage the feature panel.
- When using liquid cleaning agents, apply them to the cleaning cloth. Do not apply them directly to the dryer. Wipe up any spills or overspray immediately.

Tumbler

- Remove any stains from the tumbler with an all-purpose cleaner.
- Tumble old towels or rags to remove any remaining stains or cleaning substances. Stains may still be visible, but will not affect subsequent loads.

Powder coat tumbler

To clean the powder coat tumbler, use a damp cloth with a mild, non-abrasive cleaner suitable for easily marred surfaces.

Remove cleaner residue and dry with a clean cloth.

Dryer exterior

- Clean with a soft, damp cloth. Do not use abrasive substances.
- Protect the surface from sharp objects.
- Do not place any heavy or sharp objects or a detergent container on the dryer. They can scratch or damage the top cover of the dryer.
- The dryer has a high-gloss finish on the entire surface. Be careful not to scratch or damage the surface.

Exhaust system

- Check and clean the exhaust system on a yearly or regular basis to maintain optimum performance.
- The external exhaust hood must be cleaned more frequently to ensure a proper air flow.

Troubleshooting

Checkpoints

If the dryer operates abnormally, first check the list of problems in the table below and try the suggested actions.

Problem	Action
Does not run.	<ul style="list-style-type: none">• Make sure the door is latched shut.• Make sure the power cord is plugged into a live electrical outlet.• Check your home's circuit breakers or fuses.• Press or tap START/PAUSE again if the door is opened during a cycle.• Clean the lint filter.
Does not heat.	<ul style="list-style-type: none">• Check your home's circuit breakers or fuses.• Some cycles do not require heating. Check the selected cycle again.• For a gas dryer, make sure the gas supply is on.• Clean the lint filter and exhaust duct.• The dryer may have moved into the cool-down phase of the cycle.
Does not dry.	<ul style="list-style-type: none">• Check all of the above, plus...• Make sure the exhaust hood outside your home can open and close freely.• Check the exhaust system for lint buildup. Ducting should be inspected and cleaned annually.• Use a 4" rigid metal exhaust duct.• Do not overload. 1 wash load = 1 dryer load.• Dry heavy items and light weight items separately.• Large, bulky items, such as blankets or comforters, may require repositioning to ensure even drying.• Make sure that your washer is draining properly and extracting adequate water from the load.• The load may be too small to tumble properly. Add a few towels and restart the dryer.• The load may be too large to tumble properly. Remove some items and restart the dryer.• Clean the lint filter.



Problem	Action
Is noisy.	<ul style="list-style-type: none"> • Check the load for objects such as coins, loose buttons, nails, etc. Remove promptly. • It is normal to hear the dryer gas valve or heating element cycle on and off during the drying cycle. • Make sure the dryer is leveled properly as outlined in the installation instructions. • It is normal for the dryer to hum due to the high velocity of air moving through the dryer drum, fan, or exhaust system.
Dries unevenly.	<ul style="list-style-type: none"> • Seams, pockets, and other similarly heavy areas may not be completely dry when the rest of the load has reached the selected dryness level. This is normal. You can choose a higher dryness level or a cycle that involves a higher dryness level. • If one heavy item is dried with a light weight load, such as one towel with sheets, it is possible that the heavy item will not be completely dry when the rest of the load has reached the selected dryness level. • For the best drying results, dry heavy items and light weight items separately.
Has odors.	<ul style="list-style-type: none"> • Household odors from paint, varnish, strong cleaners, etc. may enter the dryer with the surrounding room air. This is normal as the dryer draws the air from the room, heats it, pulls it through the tumbler, and exhausts it outside. • When these odors linger in the air, completely ventilate the room before using the dryer. • Use a cycle featuring the Refresh function. If odors persist, wash and dry the items again.
Lint on clothes.	<ul style="list-style-type: none"> • Make sure the lint filter is cleaned before every load. For clothes that naturally build up lint, clean the filter during the cycle. • Some fabrics are lint producers (for example, a fuzzy white cotton towel) and they must be dried separately from clothes that are lint trappers (for example, a pair of black linen pants). • Divide larger loads into smaller loads for drying. • Check pockets thoroughly before drying, then dry clothes. • Remove lint inside the drum before drying.



Troubleshooting

Problem	Action
Items still wrinkled after Wrinkle Prevent (Wrinkle Away, Wrinkle Release).	<ul style="list-style-type: none"> • Small loads of 1 to 4 items work best. • Load fewer items. Load similar-type items. • Take out the items immediately after drying is complete.
Water drips from the nozzle when Steam Cycle starts.	<ul style="list-style-type: none"> • This is steam condensation. The dripping water will stop after a short time.
Sprayed water is not visible during Steam Cycles.	<ul style="list-style-type: none"> • Sprayed water is difficult to see when the door is closed.
Extended time.	<ul style="list-style-type: none"> • Sensor Dry automatically senses the moisture in the load and shuts the dryer off when the selected dryness level is reached. <p>The drying time can change according to the type and amount of laundry. See the cycle chart for reference.</p>

If a problem persists, contact a local Samsung service center.

Information codes

If the dryer fails to operate, you may see an information code on the display panel. To determine what you should do, check the list of codes in the table below, and then try the suggested actions.

Code	Action
dC	Operating the dryer with the door open. <ul style="list-style-type: none">• Make sure the door is properly closed.• Make sure laundry is not caught in the door.
FC	Invalid power source frequency <ul style="list-style-type: none">• Try restarting the cycle.• If this information code remains, contact a Samsung service center.
AC	Electronic control problem (Invalid Communication). <ul style="list-style-type: none">• Contact a Samsung service center.
HC	High temperature heating check <ul style="list-style-type: none">• Clean the lint filter.• If this information code remains, contact a Samsung service center.(enter the line test mode)
9C1	The electronic control needs to be checked. <ul style="list-style-type: none">• Check if power is supplied properly.• If the information code remains, contact a Samsung service center.
tC	The Thermistor1 resistance is very low or high. <ul style="list-style-type: none">• Check for a clogged lint screen• Check if the vent system is restricted.• If this information code remains, contact a Samsung service center.
tC5	The Thermistor2 resistance is very low or high. <ul style="list-style-type: none">• Check for a clogged lint screen.• Check if the vent system is restricted.• If this information code remains, contact a Samsung service center.
dF	Incorrect door switch. <ul style="list-style-type: none">• Contact a Samsung service center.





If any information code keeps appearing on the screen, contact a Samsung service center.

Specifications

Fabric care chart

The following symbols provide garment care direction. The clothing care labels include symbols for drying, bleaching, ironing, and dry cleaning. The use of symbols ensures consistency among garment manufacturers of domestic and imported items. Follow care label directions to optimize garment life and reduce laundering problems.

Wash cycle

	Normal
	Permanent press/Wrinkle resistant/Wrinkle control
	Gentle/Delicates
	Hand wash




Water temperature

...	Hot
..	Warm
.	Cold



NOTE

The Water Temperature table lists appropriate wash water temperatures for various items. The temperature range is 106 - 126 °F (41 - 52 °C) for Hot, 84 - 106 °F (29 - 41 °C) for Warm, and 61 - 84 °F (16 - 29 °C) for Cold. (Wash water temperature must be a minimum of 61 °F (16 °C) for detergent activation and effective cleaning.)




Bleach

	Any bleach (when needed)
	Only non-chlorine (color-safe) bleach (when needed)
	Tumble dry






Normal

	Permanent press/Wrinkle resistant/Wrinkle control
	Gentle/Delicates




Special instructions

	Line dry/Hang to dry
	Drip dry
	Dry flat







Heat setting

	High
	Medium
	Low
	Any heat
	No heat / Air






Iron dry or steam temperatures

	High
	Medium
	Low

Warning symbols for laundering

	Do not wash
	Do not wring
	Do not bleach
	Do not tumble dry
	No steam (added to iron)
	Do not iron

Dry-clean

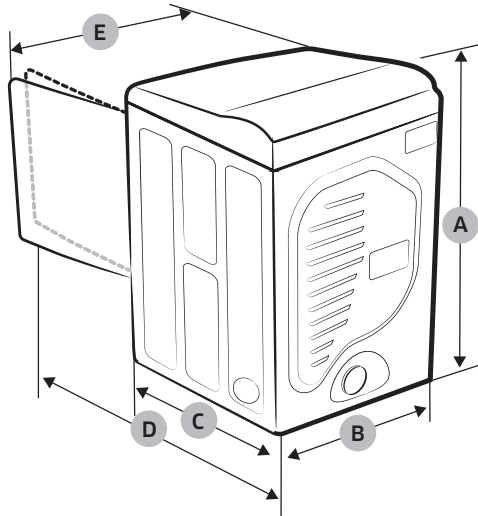
	Dry-clean
	Do not dry-clean
	Line dry / Hang to dry
	Drip dry
	Dry flat

Protecting the environment

This appliance is manufactured from recyclable materials. If you decide to dispose of this appliance, please observe local waste disposal regulations. Cut off the power cord so that the appliance cannot be connected to a power source. Remove the door so that animals and small children cannot get trapped inside the appliance.

Specifications

Specification sheet



Type		Front loading dryer	
Model		DVE(G)52M8650*	
Dimensions	A. Height	Product - inches (cm)	42.4 (107.7)
		Required for Installation - inches	44.4
	B. Width	Product - inches (cm)	27.0 (68.6)
		Required for Installation - inches	29.0
	C. Depth	Product - inches (cm)	30.2 (76.8)
		Required for Installation - inches	35.2
	D. Depth with door open 90°	Product - inches (cm)	50.1 (127.3)
		Required for Installation - inches	55.1
E. Width with door open 110°	Product - inches (cm)	31.5 (79.8)	
	Required for Installation - inches	36.5	
Water pressure - psi (kPa)		20-116 (137-800)	
NET weight	Electric - lb (kg)	126 (57)	
	Gas - lb (kg)	128 (58)	
Heater rating	Electric (W)	5300	
	Gas (BTU/hr)	22000	

Cycle chart

NOTE

For best results, follow the load size recommendations for each dry cycle.

- Large load: Fill the drum to about $\frac{3}{4}$ full. Do not add items over this level as they need to tumble freely.
- ◐ Medium load : Fill the drum to about $\frac{1}{2}$ full.
- Small load : Fill the drum with 3-5 items, not more than $\frac{1}{4}$ full.

Cycle	Recommended items	Load size	Dry Level
NORMAL	Cottons, work clothes, linens, mixed loads	●	Normal Dry (Adjustable)
HEAVY DUTY	Heavy Fabrics such as jeans, corduroys, heavy work clothes	●	Normal Dry (Adjustable)
PERM PRESS	Shirts, synthetic fabrics, knits, wrinkle-free cottons, permanent press	◐	Normal Dry (Adjustable)
BEDDING	Bulky items such as blankets, sheets, comforters, pillows	●	Normal Dry (Adjustable)
DELICATES	Underwear, blouses, lingerie	◐	Normal Dry (Adjustable)
REFRESH	Shirts, trousers, comforters, pillows	○	-
WRINKLE AWAY	Shirts, trouser, blouses	○	-
STEAM SANITIZE	Bedding, curtains, children's clothing	◐	Very Dry (No change)
ACTIVE WEAR	Water-repellent wear, performance clothes, sports wear (Maximum: 4 lbs)	◐	Normal Dry (No change)
TIME DRY	Any load	●	-
QUICK DRY	Small loads	○	-
AIR FLUFF	Foam, rubber, plastic	○	-

Specifications

NOTE

- : factory setting, ●: can be selected

Cycle	Functions				
	Temp. Control				Time
	High	Medium	Low	Extra Low	
NORMAL		●			
HEAVY DUTY	●				
PERM PRESS		●			
BEDDING	●				
DELICATES				●	
REFRESH	●				
WRINKLE AWAY	●				●
STEAM SANITIZE	●				
ACTIVE WEAR		●			
TIME DRY	●	●	●	●	●
QUICK DRY	●				●
AIR FLUFF					●

Cycle	Options				
	Eco Dry	Anti Static	Wrinkle Prevent	Adjust Time	Mixed Load Bell
NORMAL	●	●	●		●
HEAVY DUTY		●	●		●
PERM PRESS		●	●		●
BEDDING			●		●
DELICATES		●	●		●
REFRESH			●		
WRINKLE AWAY			●	●	
STEAM SANITIZE			●		
ACTIVE WEAR			●		
TIME DRY	●	●	●	●	
QUICK DRY			●	●	
AIR FLUFF			●	●	

Warranty (U.S.A)

SAMSUNG DRYER

LIMITED WARRANTY TO ORIGINAL PURCHASER

This SAMSUNG brand product, as supplied and distributed by SAMSUNG ELECTRONICS AMERICA, INC. (SAMSUNG) and delivered new, in the original carton to the original consumer purchaser, is warranted by SAMSUNG against manufacturing defects in materials and workmanship for a limited warranty period of:

- One (1) Year All Parts and Labor

This limited warranty begins on the original date of purchase, and is valid only on products purchased and used in the United States.

To receive warranty service, the purchaser must contact SAMSUNG for problem determination and service procedures.

Warranty service can only be performed by a SAMSUNG authorized service center.

The original dated bill of sale must be presented upon request as proof of purchase to SAMSUNG or SAMSUNG's authorized service center.

SAMSUNG will provide in-home service during the warranty period at no charge, subject to availability within the contiguous United States.

In-home service is not available in all areas.

To receive in-home service, product must be unobstructed and accessible to the service agent.

If service is not available, SAMSUNG may elect to provide transportation of the product to and from an authorized service center.

SAMSUNG will repair, replace, or refund this product at our option and at no charge as stipulated herein, with new or reconditioned parts or products if found to be defective during the limited warranty period specified above.

All replaced parts and products become the property of SAMSUNG and must be returned to SAMSUNG.

Replacement parts and products assume the remaining original warranty, or ninety (90) days, whichever is longer.

Warranty (U.S.A)

This limited warranty covers manufacturing defects in materials and workmanship encountered in normal, noncommercial use of this product and shall not apply to the following: damage that occurs in shipment; delivery and installation; applications and uses for which this product was not intended; altered product or serial numbers; cosmetic damage or exterior finish; accidents, abuse, neglect, fire, water, lightning, or other acts of nature or God; use of products, equipment, systems, utilities, services, parts, supplies, accessories, applications, installations, repairs, external wiring or connectors not supplied or authorized by SAMSUNG that damage this product or result in service problems; incorrect electrical line voltage, fluctuations and surges; customer adjustments and failure to follow operating instructions, maintenance and environmental instructions that are covered and prescribed in the instruction book; product removal and reinstallation; problems caused by pest infestations.

This limited warranty does not cover problems resulting from incorrect electric current, voltage or supply, light bulbs, house fuses, house wiring, cost of a service call for instructions, or fixing installation errors.

SAMSUNG does not warrant uninterrupted or error-free operation of the product.

EXCEPT AS SET FORTH HEREIN, THERE ARE NO WARRANTIES ON THIS PRODUCT EITHER EXPRESS OR IMPLIED, AND SAMSUNG DISCLAIMS ALL WARRANTIES INCLUDING, BUT NOT LIMITED TO, ANY IMPLIED WARRANTIES OF MERCHANTABILITY, INFRINGEMENT OR FITNESS FOR A PARTICULAR PURPOSE.

NO WARRANTY OR GUARANTEE GIVEN BY ANY PERSON, FIRM, OR CORPORATION WITH RESPECT TO THIS PRODUCT SHALL BE BINDING ON SAMSUNG.

SAMSUNG SHALL NOT BE LIABLE FOR LOSS OF REVENUE OR PROFITS, FAILURE TO REALIZE SAVINGS OR OTHER BENEFITS, OR ANY OTHER SPECIAL, INCIDENTAL OR CONSEQUENTIAL DAMAGES CAUSED BY THE USE, MISUSE, OR INABILITY TO USE THIS PRODUCT, REGARDLESS OF THE LEGAL THEORY ON WHICH THE CLAIM IS BASED, AND EVEN IF SAMSUNG HAS BEEN ADVISED OF THE POSSIBILITY OF SUCH DAMAGES.

NOR SHALL RECOVERY OF ANY KIND AGAINST SAMSUNG BE GREATER IN AMOUNT THAN THE PURCHASE PRICE OF THE PRODUCT SOLD BY SAMSUNG AND CAUSING THE ALLEGED DAMAGE.

WITHOUT LIMITING THE FOREGOING, PURCHASER ASSUMES ALL RISK AND LIABILITY FOR LOSS, DAMAGE, OR INJURY TO PURCHASER AND PURCHASER'S PROPERTY AND TO OTHERS AND THEIR PROPERTY ARISING OUT OF THE USE, MISUSE, OR INABILITY TO USE THIS PRODUCT.

THIS LIMITED WARRANTY SHALL NOT EXTEND TO ANYONE OTHER THAN THE ORIGINAL PURCHASER OF THIS PRODUCT, IS NONTRANSFERABLE AND STATES YOUR EXCLUSIVE REMEDY.

Some states do not allow limitations on how long an implied warranty lasts, or the exclusion or limitation of incidental or consequential damages, so the above limitations or exclusions may not apply to you. This warranty gives you specific rights, and you may also have other rights, which vary from state to state.

To obtain warranty service, please contact SAMSUNG at:

Samsung Electronics America, Inc.

85 Challenger Road

Ridgefield Park, NJ 07660

1-800-SAMSUNG (726-7864)

www.samsung.com/us/support

Visits by a Service Engineer to explain functions, maintenance or installation is not covered by warranty.

Please contact your Samsung call agent for help with any of these issues.

Warranty (CANADA)

SAMSUNG DRYER

LIMITED WARRANTY TO ORIGINAL PURCHASER

This SAMSUNG brand product, as supplied and distributed by SAMSUNG ELECTRONICS CANADA, INC. (SAMSUNG) and delivered new, in the original carton to the original consumer purchaser, is warranted by SAMSUNG against manufacturing defects in materials and workmanship for a limited warranty period of:

- One (1) year part and labor

This limited warranty begins on the original date of purchase, and is valid only on products purchased and used in the Canada.

To receive warranty service, the purchaser must contact SAMSUNG for problem determination and service procedures.

Warranty service can only be performed by a SAMSUNG authorized service center.

The original dated bill of sale must be presented upon request as proof of purchase to SAMSUNG or SAMSUNG's authorized service center.

SAMSUNG will provide in-home service during the warranty period at no charge, subject to availability within the Canada.

In-home service is not available in all areas.

To receive in-home service, product must be unobstructed and accessible to the service agent.

If service is not available, SAMSUNG may elect to provide transportation of the product to and from an authorized service center.

SAMSUNG will repair, replace, or refund this product at our option and at no charge as stipulated herein, with new or reconditioned parts or products if found to be defective during the limited warranty period specified above.

All replaced parts and products become the property of SAMSUNG and must be returned to SAMSUNG.

Replacement parts and products assume the remaining original warranty, or ninety (90) days, whichever is longer.

This limited warranty covers manufacturing defects in materials and workmanship encountered in normal, noncommercial use of this product and shall not apply to the following: damage that occurs in shipment; delivery and installation; applications and uses for which this product was not intended; altered product or serial numbers; cosmetic damage or exterior finish; accidents, abuse, neglect, fire, water, lightning, or other acts of nature or God; use of products, equipment, systems, utilities, services, parts, supplies, accessories, applications, installations, repairs, external wiring or connectors not supplied or authorized by SAMSUNG that damage this product or result in service problems; incorrect electrical line voltage, fluctuations and surges; customer adjustments and failure to follow operating instructions, maintenance and environmental instructions that are covered and prescribed in the instruction book; product removal and reinstallation; problems caused by pest infestations.

This limited warranty does not cover problems resulting from incorrect electric current, voltage or supply, light bulbs, house fuses, house wiring, cost of a service call for instructions, or fixing installation errors.

SAMSUNG does not warrant uninterrupted or error-free operation of the product.

EXCEPT AS SET FORTH HEREIN, THERE ARE NO WARRANTIES ON THIS PRODUCT EITHER EXPRESS OR IMPLIED, AND SAMSUNG DISCLAIMS ALL WARRANTIES INCLUDING, BUT NOT LIMITED TO, ANY IMPLIED WARRANTIES OF MERCHANTABILITY, INFRINGEMENT OR FITNESS FOR A PARTICULAR PURPOSE.

NO WARRANTY OR GUARANTEE GIVEN BY ANY PERSON, FIRM, OR CORPORATION WITH RESPECT TO THIS PRODUCT SHALL BE BINDING ON SAMSUNG.

SAMSUNG SHALL NOT BE LIABLE FOR LOSS OF REVENUE OR PROFITS, FAILURE TO REALIZE SAVINGS OR OTHER BENEFITS, OR ANY OTHER SPECIAL, INCIDENTAL OR CONSEQUENTIAL DAMAGES CAUSED BY THE USE, MISUSE, OR INABILITY TO USE THIS PRODUCT, REGARDLESS OF THE LEGAL THEORY ON WHICH THE CLAIM IS BASED, AND EVEN IF SAMSUNG HAS BEEN ADVISED OF THE POSSIBILITY OF SUCH DAMAGES.

NOR SHALL RECOVERY OF ANY KIND AGAINST SAMSUNG BE GREATER IN AMOUNT THAN THE PURCHASE PRICE OF THE PRODUCT SOLD BY SAMSUNG AND CAUSING THE ALLEGED DAMAGE.

WITHOUT LIMITING THE FOREGOING, PURCHASER ASSUMES ALL RISK AND LIABILITY FOR LOSS, DAMAGE, OR INJURY TO PURCHASER AND PURCHASER'S PROPERTY AND TO OTHERS AND THEIR PROPERTY ARISING OUT OF THE USE, MISUSE, OR INABILITY TO USE THIS PRODUCT.

THIS LIMITED WARRANTY SHALL NOT EXTEND TO ANYONE OTHER THAN THE ORIGINAL PURCHASER OF THIS PRODUCT, IS NONTRANSFERABLE AND STATES YOUR EXCLUSIVE REMEDY.

Warranty (CANADA)

Some provinces do not allow limitations on how long an implied warranty lasts, or the exclusion or limitation of incidental or consequential damages, so the above limitations or exclusions may not apply to you.

This warranty gives you specific rights, and you may also have other rights, which vary from province to province.

To obtain warranty service, please contact SAMSUNG at:

Samsung Electronics Canada Inc.

2050 Derry Road West,

Mississauga, Ontario L5N 0B9 Canada

1-800-SAMSUNG (726-7864)

www.samsung.com/ca/support (English)

www.samsung.com/ca_fr/support (French)

Visits by a Service Engineer to explain functions, maintenance or installation is not covered by warranty.

Please contact your Samsung call agent for help with any of these issues.

Memo



Scan the QR code* or visit
www.samsung.com/spsn
 to view our helpful
 How-to Videos and Live Shows

*Requires reader to be installed on your smartphone

Scan this with your smartphone

QUESTIONS OR COMMENTS?

COUNTRY	CALL	OR VISIT US ONLINE AT
U.S.A	1-800-SAMSUNG (726-7864) 1-844-SAM-PAYS (726-7297)	www.samsung.com/us/support
CANADA	1-800-SAMSUNG(726-7864)	www.samsung.com/ca/support (English) www.samsung.com/ca_fr/support (French)



DC68-03170X-00



Sèche-linge

Manuel d'utilisation

DVE(G)52M8650*

SAMSUNG

Sommaire

Consignes de sécurité	4
Remarques importantes sur les consignes de sécurité	4
Symboles de sécurité importants	4
Consignes de sécurité importantes	5
Avertissements	7
Mises en garde	8
Conditions d'installation	10
Conditions d'installation principales	10
Choix de l'emplacement d'installation	10
Conditions requises en matière de conduits	11
Exigences d'évacuation	12
Systèmes fonctionnant au gaz	13
Normes électriques	14
Installation	16
Ce qui est inclus	16
Installation étape par étape	18
Test de blocage de l'aération	24
Guide d'installation du conduit d'évacuation	26
Changement du sens d'ouverture du hublot	26
Avant de démarrer	29
Tri et charge	29
Prérequis fonctionnel	29
Opérations	30
Panneau de fonctions	30
Étapes simples pour commencer	33
Présentation des cycles	34
Guide de séchage	36
Fonctions spéciales	37

Maintenance	39
Nettoyage	39
Dépannage	40
Contrôles à effectuer	40
Codes d'information	43
Caractéristiques techniques	44
Tableau des symboles textiles	44
Protection de l'environnement	45
Fiche de caractéristiques techniques	46
Tableau des cycles	47



Consignes de sécurité

Félicitations pour l'achat de votre nouveau sèche-linge Samsung. Ce manuel contient de précieuses informations concernant l'installation, l'utilisation et l'entretien de votre appareil. Prenez le temps de le lire pour tirer pleinement profit de tous les avantages et de toutes les fonctionnalités de votre sèche-linge.

Remarques importantes sur les consignes de sécurité

Veuillez lire attentivement ce manuel afin d'utiliser efficacement votre appareil en toute sécurité et de profiter pleinement de toutes ses fonctionnalités. Conservez ce manuel dans un endroit sûr situé à proximité de l'appareil afin de pouvoir facilement vous y reporter en cas de besoin. N'utilisez pas cet appareil autrement que pour l'usage auquel il est destiné, conformément aux consignes de ce manuel. Les consignes de sécurité et les avertissements décrits dans ce manuel ne sont pas exhaustifs. Il est de votre responsabilité de faire preuve de bon sens, de prudence et de discernement lors de l'installation, de l'entretien ou de l'utilisation de votre sèche-linge.

Ces consignes d'utilisation couvrant plusieurs modèles, il se peut que les caractéristiques de votre sèche-linge diffèrent légèrement de celles décrites dans ce manuel ; ainsi, certains icônes d'avertissement peuvent ne pas s'appliquer à votre machine. Pour toute question ou doute, contactez votre centre de service le plus proche ou connectez-vous sur www.samsung.com.

Symboles de sécurité importants

Signification des icônes et signes repris dans ce manuel d'utilisation :

AVERTISSEMENT

Risques ou pratiques inadaptées susceptibles de causer des blessures graves, la mort et/ou des dommages matériels.

ATTENTION

Risques ou pratiques inadaptées susceptibles de causer des blessures et/ou des dommages matériels.

REMARQUE

Indique la présence d'un risque de blessures ou de dommages matériels.

Ces symboles d'avertissement ont pour but d'éviter tout risque de blessure corporelle, pour vous ou d'autres personnes.

Respectez-les en toutes circonstances.

Lisez attentivement ce manuel et conservez-le en lieu sûr afin de pouvoir le consulter ultérieurement.

Lisez attentivement toutes les consignes avant d'utiliser l'appareil.

Comme avec tout équipement électrique ou comportant des parties mobiles, il existe un certain nombre de dangers potentiels. Pour utiliser cet appareil en toute sécurité, familiarisez-vous avec son fonctionnement et restez prudent lorsque vous l'employez.

CONSERVEZ SOIGNEUSEMENT CES CONSIGNES



⚠ AVERTISSEMENT - Appareils à gaz :

- Avertissement concernant la proposition 65 de l'État de la Californie (États-Unis uniquement)
Cet appareil contient des produits chimiques connus de l'État de la Californie pour causer le cancer, des anomalies congénitales ou des effets nocifs sur la reproduction.
- Les appareils à gaz peuvent entraîner de faibles expositions aux substances listées dans la Proposition 65 parmi lesquelles le benzène, le monoxyde de carbone, le formaldéhyde et la suie, des substances engendrées par la combustion incomplète du gaz naturel ou du propane liquide.

⚠ AVERTISSEMENT - Risque d'incendie

- L'installation du sèche-linge doit être effectuée par un technicien qualifié.
- L'installation du sèche-linge doit se faire conformément aux instructions du fabricant et aux réglementations locales.
- N'équipez jamais un sèche-linge de conduits de ventilation en plastique flexible. Si vous utilisez un conduit en métal flexible (de type aluminium), celui-ci doit être conforme aux spécifications du fabricant et adapté à une utilisation sur sèche-linge. Les matériaux flexibles utilisés dans les systèmes d'évacuation de l'air ont tendance à se plier, à s'écraser et à retenir les peluches de tissu. Ces conditions empêchent une évacuation adéquate de l'air et augmentent les risques d'incendie.
- Pour réduire les risques de blessure grave ou de décès, observez attentivement les consignes d'installation.
- Conservez soigneusement ces instructions.

Consignes de sécurité importantes**⚠ AVERTISSEMENT**

Afin de réduire les risques d'incendie, d'électrocution ou de blessures physiques lors de l'utilisation de l'appareil, des précautions de base doivent être prises :

1. Lisez toutes les consignes de sécurité avant d'utiliser l'appareil.
2. Ne faites pas sécher de linge ayant été en contact par nettoyage, lavage ou trempage avec de l'essence, des solvants de nettoyage à sec ou tout autre substance inflammable ou explosive ; ces produits dégagent en effet des vapeurs qui risqueraient de s'enflammer ou d'exploser.
3. N'utilisez pas le sèche-linge pour faire sécher des vêtements comportant des traces de substances inflammables telles que de l'huile végétale, de l'huile de cuisson, de l'huile de machine, des produits chimiques inflammables, des diluants, etc. ou des objets comportant des traces de cire ou de produits chimiques. Ils risqueraient de prendre feu.

CONSERVEZ SOIGNEUSEMENT CES CONSIGNES

Consignes de sécurité

4. N'entreposez ni n'utilisez jamais d'essence ou d'autres produits inflammables à proximité de cet appareil ou de tout autre appareil.
5. Ne laissez pas les enfants jouer sur ou dans l'appareil. Une surveillance attentive s'impose lorsque l'appareil est utilisé à proximité d'enfants.
6. Avant la mise hors service ou au rebut de l'appareil, retirez le hublot du tambour.
7. Ne tentez pas d'ouvrir l'appareil lorsque le tambour est en mouvement.
8. N'installez et n'entreposez jamais cet appareil dans un endroit exposé aux intempéries.
9. N'utilisez pas les commandes internes du sèche-linge inutilement.
10. Ne procédez pas à la réparation ou au remplacement des pièces de l'appareil et ne tentez pas non plus de le réparer vous-même, sauf si le manuel d'entretien ou de réparation contient des recommandations spécifiques en la matière que vous comprenez et êtes en mesure d'exécuter.
11. N'utilisez aucun adoucissant ou produit anti-statique autre que ceux recommandés par le fabricant du produit ou de l'appareil.
12. Nettoyez le filtre à peluches avant ou après chaque utilisation.
13. Ne sélectionnez pas une température élevée pour faire sécher des articles contenant du caoutchouc mousse ou des matériaux dont la texture est similaire à celle du caoutchouc.
14. Évitez toute accumulation de peluches, poussières et saletés à proximité de l'orifice d'évacuation et des zones proches autour.
15. L'intérieur de l'appareil et du conduit d'évacuation doit être nettoyé régulièrement, par un technicien de maintenance qualifié.
16. Ne faites pas sécher du linge ayant été en contact avec de l'huile de cuisson. Il risquerait de s'enflammer.
17. Cet appareil doit être mis à la terre. Reportez-vous aux chapitres « Normes électriques » et « Mise à la terre » dans la section « Installation ».
18. Ne laissez pas les enfants jouer sur ou dans l'appareil. Une surveillance attentive s'impose lorsque l'appareil est utilisé à proximité d'enfants.
19. N'insérez pas votre main sous le sèche-linge.
 - Cela pourrait entraîner des blessures.
20. Veillez à ce que les doigts des enfants ne soient pas pris dans le hublot en le fermant.
 - Cela pourrait entraîner des blessures.
21. Le panneau de commande et la vanne d'alimentation en eau sont intentionnellement non mis à la terre et peuvent présenter un risque d'électrocution uniquement lors d'une réparation.
 - Ne touchez pas ces pièces lorsque l'appareil est sous tension.

CONSERVEZ SOIGNEUSEMENT CES CONSIGNES

AVERTISSEMENT - Pour réduire le risque d'incendie ou d'explosion :

- Ne faites sécher aucun article ayant été précédemment en contact par nettoyage, lavage ou trempage avec de l'essence, des solvants de nettoyage à sec ou toute autre substance inflammable ou explosive. En effet, ceux-ci diffusent des vapeurs pouvant s'enflammer ou exploser. Ne placez aucun article entré en contact avec un solvant ou des matières solides ou liquides inflammables dans le sèche-linge, tant que toute trace de ces produits n'a pas été éliminée.
De nombreux produits inflammables sont utilisés dans l'environnement domestique comme l'acétone, l'alcool dénaturé, l'essence, le kérosène, certains nettoyants ménagers sous forme liquide, certains détachants, la térébenthine, les cires et les produits décapants.
- Ne faites jamais sécher à chaud les articles à base de caoutchouc mousse (également appelé mousse de latex) ou de matériaux dont la texture ressemble à celle du caoutchouc. En effet, les matières en caoutchouc mousse peuvent, dans certaines circonstances, s'enflammer spontanément.

AVERTISSEMENT - Que faire en cas d'émanation de gaz :

- Ne tentez pas d'allumer un appareil électrique.
- Ne mettez pas l'appareil sous tension.
- Ne touchez à aucun interrupteur électrique.
- N'utilisez aucun téléphone dans le bâtiment.
- Faites évacuer tous les occupants de la pièce, du bâtiment ou du secteur.
- Appelez immédiatement votre fournisseur de gaz depuis le téléphone d'un voisin. Suivez les consignes que vous recevrez.
- Si vous ne pouvez pas joindre votre fournisseur de gaz, appelez les pompiers.
- L'installation et l'entretien doivent être effectués par un installateur qualifié, un réparateur agréé ou votre fournisseur de gaz.

Avertissements

AVERTISSEMENT

- Vérifiez que les poches sont vides. Les petits objets aux bords irréguliers (pièces de monnaie, canifs, épingles, etc.) risquent en effet d'endommager votre sèche-linge.
- Des fuites de gaz dangereuses pourraient survenir dans votre système.

CONSERVEZ SOIGNEUSEMENT CES CONSIGNES

Consignes de sécurité

Mises en garde

ATTENTION

- Ne laissez ni les enfants ni les animaux domestiques jouer sur, dans ou devant l'appareil. Une surveillance attentive s'impose lorsque l'appareil est utilisé à proximité d'enfants ou d'animaux domestiques.
- Avant de mettre au rebut ou hors service votre sèche-linge, retirez le hublot du compartiment de séchage pour éviter que des enfants ou des animaux ne se trouvent piégés à l'intérieur de l'appareil.
- N'ouvrez pas le sèche-linge lorsque le tambour est en mouvement.
- N'installez et n'entreposez jamais cet appareil dans un endroit exposé aux intempéries.
- N'utilisez pas les commandes du sèche-linge inutilement.
- Ne procédez pas à la réparation, au remplacement ou à l'entretien des pièces de l'appareil sauf si le manuel d'entretien contient des recommandations spécifiques en la matière, si vous comprenez ces recommandations et si vous disposez des compétences requises pour réaliser l'opération.
- N'utilisez aucun adoucissant ou produit anti-statique autre que ceux recommandés par le fabricant.
- Nettoyez le filtre à peluches avant ou après chaque utilisation.
- Évitez toute accumulation de peluches, poussières et saletés à proximité de l'orifice d'évacuation et des zones autour.
- L'intérieur du sèche-linge et du conduit d'évacuation doit être nettoyé régulièrement, par un technicien de maintenance qualifié.
- Cet appareil doit être correctement mis à la terre. Ne branchez jamais le cordon d'alimentation sur une prise qui n'est pas correctement reliée à la terre ou qui n'est pas conforme aux réglementations locales et nationales en vigueur. Consultez les consignes d'installation pour relier cet appareil à la terre.
- Ne vous asseyez pas sur le sèche-linge.
- Évitez de faire sécher des vêtements comportant de grandes boucles, des boutons ou d'autres accessoires en métal lourd.
- Une fuite de gaz n'est pas toujours détectable à l'odeur.
- C'est pourquoi les fournisseurs de gaz vous recommandent d'acheter et d'installer un détecteur de gaz conforme à la réglementation UL.
- Installez-le et utilisez-le conformément aux consignes du fabricant.
- N'introduisez aucun article imprégné ou tâché d'huile végétale ou alimentaire dans votre sèche-linge. Même une fois lavés, ces articles peuvent encore contenir une quantité non négligeable d'huile.

CONSERVEZ SOIGNEUSEMENT CES CONSIGNES

- Toute huile résiduelle risque de s'enflammer spontanément. Le potentiel de combustion spontanée augmente lorsque les articles imbibés d'huile végétale ou alimentaire sont exposés à la chaleur. Les sources de chaleur comme votre sèche-linge peuvent chauffer ces articles, engendrant une oxydation de l'huile. Cette oxydation crée elle-même de la chaleur. Si cette chaleur ne se dissipe pas, les articles deviennent suffisamment brûlants pour s'enflammer. Entasser, empiler ou stocker ce type d'articles peut empêcher la dissipation de la chaleur et être à l'origine d'un risque d'incendie.
- Tout le linge imbibé d'huile végétale ou alimentaire, qu'il soit lavé ou non, peut s'avérer dangereux. Le fait de laver ces articles à l'eau chaude avec une dose supplémentaire de lessive réduit ce risque, sans pour autant le supprimer. Utilisez toujours le cycle Cool Down (Refroidissement), afin de réduire leur température. Ne retirez jamais ces articles du sèche-linge lorsqu'ils sont chauds ; de même, n'interrompez pas le cycle de séchage tant que le cycle Cool Down (Refroidissement) n'est pas terminé. N'entassez et n'empilez pas ces articles lorsqu'ils sont chauds.

CONSERVEZ SOIGNEUSEMENT CES CONSIGNES



Conditions d'installation

Lisez attentivement les instructions suivantes avant d'installer le sèche-linge et conservez ce manuel pour vous y reporter ultérieurement.

AVERTISSEMENT

Le panneau de commande et la vanne d'alimentation en eau sont intentionnellement non mis à la terre et peuvent présenter un risque d'électrocution uniquement lors d'une réparation.

Technicien de maintenance : ne touchez pas ces pièces lorsque l'appareil est sous tension.

Conditions d'installation principales

- Une prise électrique avec mise à la terre.
- Un cordon d'alimentation pour sèche-linge électrique (à l'exception du Canada).
- Des conduits de gaz (pour les modèles à gaz) qui doivent respecter les réglementations nationales et locales.
- Un système d'évacuation en métal rigide ou en métal flexible avec parois rigides.

AVERTISSEMENT

Retirez le hublot des appareils mis au rebut pour éviter qu'un enfant ne s'étouffe à l'intérieur.

Choix de l'emplacement d'installation

- Dégagements adéquats entre le sèche-linge et les murs adjacents ou d'autres surfaces.
- Circulation adéquate de l'air pour la ventilation et la combustion du gaz.
- Protégez l'appareil contre l'eau et les intempéries.

2" à l'avant, 17" sur le dessus, 1" de chaque côté et 5" à l'arrière.

Le panneau avant du placard doit être doté de deux ouvertures ; assurez-vous d'avoir une surface totale d'au moins 72 pouces carrés et de laisser un espace minimum de 3 pouces en haut et en bas. Un hublot perforé (évents) et doté d'un dégagement équivalent est acceptable.

AVERTISSEMENT

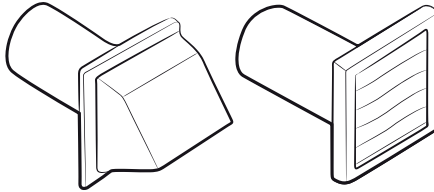
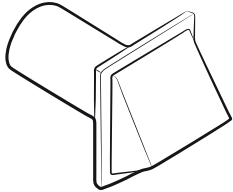
- Assurez-vous que le système d'évacuation du sèche-linge est dirigé vers l'extérieur pour réduire le risque d'incendie.
- N'entrez pas de matériaux combustibles (ex. : essence, gaz et liquides inflammables, etc.) dans la même pièce que le sèche-linge.
- N'installez pas d'autres appareils fonctionnant au fuel autour ou dans la même pièce que le sèche-linge.

Encastrement dans une niche ou installation dans un placard

Les dégagements minimum entre le sèche-linge et les murs adjacents ou d'autres surfaces sont :



Conditions requises en matière de conduits

	Recommandé		À n'utiliser que pour les installations temporaires	
Type de bouche d'évacuation	 4" (10,2 cm)		 2,5" (6,4 cm)	
N° de coudes à 90°	Rigide	Métallique flexible*	Rigide	Métallique flexible*
0	80 pieds (24,4 m)	41 pieds (12,4 m)	74 pieds (22,6 m)	33 pieds (10,1 m)
1	68 pieds (20,7 m)	37 pieds (11,2 m)	62 pieds (18,9 m)	29 pieds (8,8 m)
2	57 pieds (17,4 m)	33 pieds (10,1 m)	51 pieds (15,5 m)	25 pieds (7,6 m)
3	47 pieds (14,3 m)	29 pieds (8,8 m)	41 pieds (12,5 m)	21 pieds (6,5 m)

REMARQUE

* Utilisez un conduit en aluminium ou en acier galvanisé rigide d'un diamètre de 4 pouces (10,2 cm).

Si vous intégrez le système d'aération du sèche-linge à un système d'évacuation existant :

- Assurez-vous que le système d'évacuation soit conforme à toutes les réglementations locales, régionales et nationales applicables.
- Vérifiez que vous n'utilisez pas un conduit en plastique flexible.
- Assurez-vous de vérifier l'absence de peluches accumulées à l'intérieur des conduits existants et de les retirer s'il y en a.
- Confirmez que le conduit n'est pas entortillé ou écrasé.
- Assurez-vous que le registre de la hotte s'ouvre et se ferme sans problème.

Mesures du manomètre

La pression statique dans un système d'évacuation doit être inférieure à 0 ou ne doit pas dépasser 0,83 pouce de colonne d'eau. Veuillez noter que ces valeurs sont mesurées avec le sèche-linge en fonctionnement avec un manomètre présenté sur le conduit d'évacuation qui se branche sur le sèche-linge. Le tambour du sèche-linge doit être vide et le filtre à peluches propre.



Conditions d'installation

Exigences d'évacuation

L'évacuation du sèche-linge ne doit pas être reliée à un conduit de cheminée, un mur, un plafond, un grenier, un espace mansardé ou exigu d'un bâtiment. L'évacuation du sèche-linge vers l'extérieur évite le refoulement d'air humide et de peluches dans la pièce.

Aux États-Unis et au Canada

- Tous les sèche-linge doivent être dotés d'une évacuation vers l'extérieur.
- Le diamètre du conduit d'évacuation doit être de 4 po (10,2 cm).
- Consultez « **Conditions requises en matière de conduits** » dans la section « **Installation** » pour connaître la longueur maximale de conduit et le nombre de courbures pouvant être utilisées.
- La longueur totale du conduit en métal flexible ne doit pas dépasser 7 pieds et 10½" (2,4 m).
- Le conduit ne doit pas être assemblé à l'aide de vis ou autres attaches pénétrant à l'intérieur du conduit et entraînant l'accumulation de peluches.
- **Aux États-Unis uniquement** : Utilisez uniquement des conduits flexibles de type aluminium, tels que spécifiés par le fabricant, le cas échéant, et conformes à la norme Outline for Clothes Dryer Transition Duct (norme relative aux conduits d'évacuation des sèche-linge). Utilisez le sujet 2158A.

En dehors des États-Unis et du Canada

- Référez-vous aux réglementations locales.

AVERTISSEMENT

- L'évacuation du sèche-linge doit se faire vers l'extérieur pour réduire les risques d'incendie lors de l'installation de l'appareil dans une niche ou un placard.
- N'utilisez jamais de conduit flexible en plastique ou non métallique.
- Si les conduits existants sont en plastique, non métalliques ou combustibles, remplacez-les par du matériel métallique.
- Utilisez uniquement des conduits d'évacuation métalliques et non inflammables pour assurer le confinement de l'air d'évacuation, de la chaleur et des peluches.



Systemes fonctionnant au gaz

AVERTISSEMENT

- Utilisez uniquement du gaz naturel ou du propane liquide (PL).
- L'INSTALLATION DOIT ÊTRE CONFORME AUX RÉGLEMENTATIONS LOCALES EN VIGUEUR OU, EN L'ABSENCE DE DISPOSITIONS SPÉCIFIQUES, À LA RÉGLEMENTATION NATIONALE SUR LE GAZ COMBUSTIBLE ANSI/Z223.1 (NATIONAL FUEL GAS CODE), DERNIÈRE RÉVISION (POUR LES ÉTATS-UNIS) OU AUX DISPOSITIONS D'INSTALLATION CAN/CGA-B149 (POUR LE CANADA).
- Les sèche-linge à gaz sont équipés d'un système de ventilation des brûleurs à utiliser avec le gaz naturel. Si vous envisagez d'utiliser votre sèche-linge avec du propane liquide, un technicien de maintenance qualifié doit le convertir pour garantir la fiabilité et la sécurité des performances.
- Une conduite d'alimentation en gaz de $\frac{1}{2}$ " (1,27 cm) est recommandée ; elle doit être réduite pour la connexion à la conduite de gaz de $\frac{3}{8}$ " (1 cm) de votre sèche-linge. La réglementation nationale sur le gaz combustible impose qu'un robinet de fermeture manuelle du gaz, accessible et agréé, soit installé à moins de 6" du sèche-linge.
- Les sèche-linge à gaz installés dans des garages résidentiels doivent être surélevés à 18 pouces (46 cm) au-dessus du sol.
- En outre, une prise enfichée N.P.T. (National Pipe Thread) de $\frac{1}{8}$ " (0,3 cm), permettant le branchement d'une jauge de test, doit être installée immédiatement en amont de la connexion d'alimentation en gaz du sèche-linge.
- Votre sèche-linge doit être déconnecté du circuit d'alimentation en gaz à chaque test de pression du système.

- Ne réutilisez jamais d'anciens conduits de gaz métalliques flexibles. Tout conduit de gaz flexible doit être certifié par l'American Gas Association - U.S.A. Gas (CGA au Canada).

REMARQUE

- Votre sèche-linge utilise un système d'allumage automatique pour allumer le brûleur. Il n'existe pas de pilote de combustion constante.
- Les raccords de conduit utilisés doivent être résistants à l'action de tout gaz de pétrole liquéfié.
- La plupart des sociétés de gaz locales inspecteront gratuitement votre installation, sur demande.

Instructions d'installation - Commonwealth du Massachusetts

Votre sèche-linge doit être installé par un plombier ou un installateur de gaz agréé. Un robinet de gaz manuel à poignée, dit en « T », doit être installé sur la conduite d'alimentation en gaz de votre sèche-linge. Si vous utilisez un connecteur gaz flexible pour installer votre sèche-linge, celui-ci doit mesurer au moins 3 pieds (36 pouces) de long.

AVERTISSEMENT

- Des fuites de gaz peuvent survenir dans votre système, créant une situation dangereuse.
- Une fuite de gaz n'est pas toujours détectable à l'odeur.
- C'est pourquoi les fournisseurs de gaz vous recommandent d'acheter et d'installer un détecteur de gaz conforme à la réglementation UL.
- Installez-le et utilisez-le conformément aux consignes du fabricant.



Conditions d'installation

Normes électriques

Le schéma de câblage figure sur une plaque située sous le panneau de commande ou le panneau arrière.

AVERTISSEMENT

- Un branchement incorrect du conducteur de mise à la terre peut créer un risque d'électrocution. Demandez conseil à un électricien ou un réparateur agréé si vous avez des doutes quant à la mise à la terre correcte de votre sèche-linge. Ne modifiez pas la prise fournie avec le sèche-linge ; si celle-ci ne correspond pas à la prise secteur, demandez à un électricien qualifié d'installer une prise adéquate.
- Pour prévenir tout risque d'incendie, d'électrocution ou de blessure, l'intégralité du câblage et des mises à la terre doit être réalisée conformément aux réglementations locales ou, en l'absence de ces dernières, au code électrique national (National Electrical Code) ANSI/NFPA dernière révision n°70 (pour les États-Unis) ou aux dispositions canadiennes sur l'électricité CSA C22.1 (dernières révisions) et aux réglementations locales. Il relève de votre responsabilité de fournir un service électrique adapté à votre sèche-linge.
- Toutes les installations au gaz doivent être conformes aux dispositions nationales sur le gaz combustible ANSI/Z2231, dernière révision (pour les États-Unis), ou aux dispositions d'installation CAN/CGA (B149) dernière révision (pour le Canada), ainsi qu'aux réglementations et ordonnances locales en vigueur.

Mise à la terre

Ce sèche-linge doit être mis à la terre. En cas de panne ou de défaillance, la mise à la terre réduira le risque de surtension électrique en fournissant un circuit de fuite au courant électrique.

Modèles au gaz

AVERTISSEMENT

- Votre sèche-linge est doté d'un cordon équipé d'un conducteur de mise à la terre et d'une prise de terre. La prise doit être branchée sur une prise secteur appropriée, correctement installée et mise à la terre conformément aux dispositions et aux réglementations en vigueur.
- Ne modifiez pas la prise fournie avec le sèche-linge ; si celle-ci ne correspond pas à la prise secteur, demandez à un électricien qualifié d'installer une prise adéquate.
- Ne reliez pas un conducteur de terre à une canalisation de plomberie en plastique, un conduit de gaz ou une canalisation d'eau chaude.

Modèles électriques

AVERTISSEMENT

- Votre sèche-linge est doté d'un cordon en option équipé d'un conducteur de mise à la terre et d'une prise de terre. Ce cordon est vendu séparément.
- La prise doit être branchée sur une prise secteur appropriée, correctement installée et mise à la terre conformément aux dispositions et aux réglementations en vigueur.
- Ne modifiez pas la prise fournie avec le sèche-linge ; si celle-ci ne correspond pas à la prise secteur, demandez à un électricien qualifié d'installer une prise adéquate.



- Si vous n'utilisez pas de cordon d'alimentation et que le sèche-linge électrique doit être branché en permanence, reliez-le à une prise de terre métallique permanente ou connectez un conducteur de mise à la terre aux conducteurs du circuit et à la borne ou au fil de terre de l'appareil.

Raccordement électrique

Avant toute mise en marche ou test, observez les consignes de mise à la terre présentées dans la section « **Mise à la terre** ». Nous vous recommandons de relier votre sèche-linge à une dérivation individuelle ou à un circuit distinct (ou séparé).

N'utilisez pas de rallonge avec cet appareil.

Modèles au gaz - États-Unis et Canada

Vous devez utiliser une alimentation électrique de 120 V c.a., 60 Hz et un disjoncteur ou fusible de 15 A.

Modèles électriques - États-Unis uniquement

Aux États-Unis, la plupart des sèche-linge requièrent une alimentation en 120 / 240 V c.a., 60 Hz, tandis que d'autres requièrent une alimentation en 120 / 208 V c.a., 60 Hz. Vous trouverez les spécifications électriques sur l'étiquette située derrière le hublot. Un disjoncteur ou un fusible de 30 A est requis de chaque côté de la ligne.

- Si vous utilisez un cordon d'alimentation, branchez ce dernier sur une prise 30 A.
- Le cordon d'alimentation n'est pas fourni avec les sèche-linge version électrique aux États-Unis. Ce cordon est vendu séparément.

AVERTISSEMENT

Risque d'électrocution

Lorsque les dispositions locales le permettent, vous pouvez brancher le sèche-linge électrique à l'aide d'un nouveau kit de cordon d'alimentation, portant une mention de compatibilité avec les sèche-linge et homologué UL. Ce cordon doit supporter une alimentation nominale de 120 / 240 V, 30 A à partir d'un cordon doté de trois conducteurs en cuivre N°10 et terminé par des bornes en boucle fermée, des cosses à fourches ouvertes aux extrémités relevées ou des conducteurs étamés.

- Ne réutilisez pas le cordon d'alimentation d'un sèche-linge usagé. Le câblage électrique du cordon d'alimentation doit être raccordé au niveau du boîtier électrique du sèche-linge au moyen d'un réducteur de tension homologué UL.
- La mise à la terre via le conducteur neutre est interdite pour (1) les nouvelles installations de circuit, (2) les mobil homes, (3) les véhicules de camping et (4) les zones où les réglementations locales interdisent ce type de mise à la terre. (Dans ces cas-là, utilisez une fiche quadripolaire pour une prise 4 fils, de type NEMA 14-30R.)

Modèles électriques - Canada uniquement

- Vous devez utiliser une alimentation électrique de 120 / 240 V c.a., 60 Hz, et un disjoncteur ou fusible de 30 A aux deux extrémités de la ligne.
- Tous les modèles canadiens sont livrés avec un cordon d'alimentation intégré. Vous devez brancher le cordon d'alimentation sur une prise 30 A.

REMARQUE

Au Canada, il est possible que vous ne puissiez pas convertir un sèche-linge en 208 V.

Installation

L'installation de ce sèche-linge doit être effectuée par un technicien qualifié. L'installateur est responsable du raccordement du sèche-linge à l'alimentation principale, tout en respectant les réglementations pertinentes relatives à la sécurité de votre région.

Ce qui est inclus

Assurez-vous que toutes les pièces sont incluses dans l'emballage de l'appareil. Si vous rencontrez un problème avec votre sèche-linge ou les accessoires, contactez un centre de service Samsung local ou le magasin vous ayant vendu le produit.

Installation

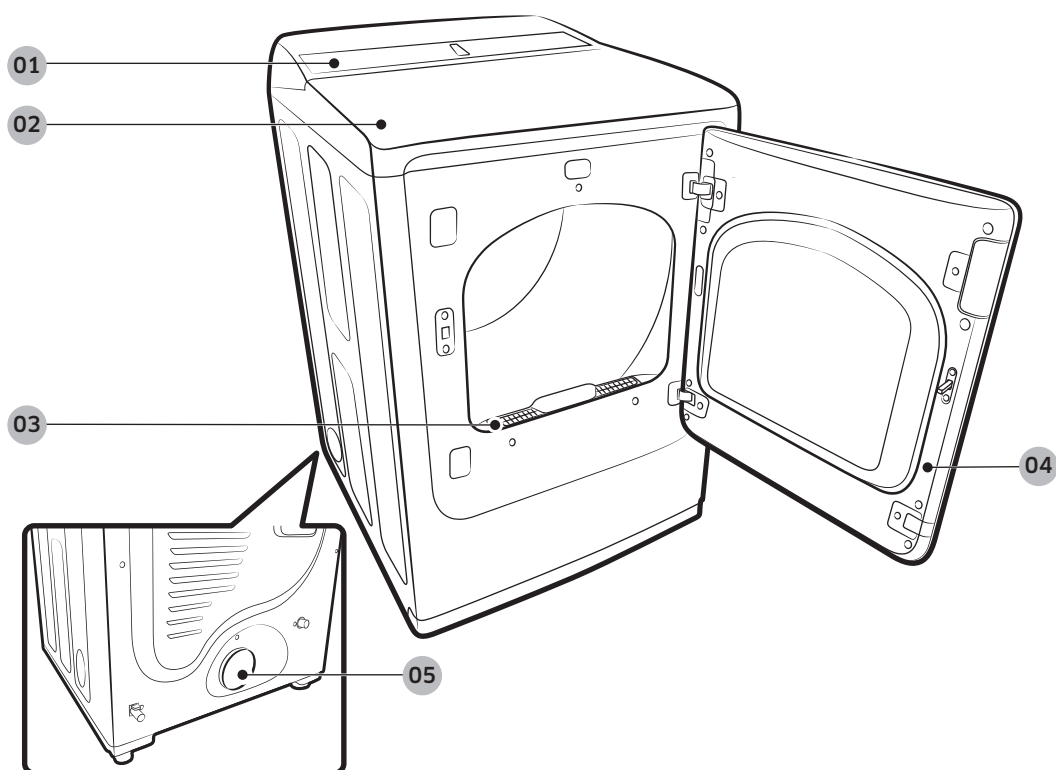


Schéma du sèche-linge

01 Panneau de commande

02 Dessus du sèche-linge

03 Filtre

04 Hublot

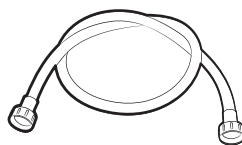
05 Conduit d'évacuation

Accessoires et outils (modèles applicables uniquement)

Accessoires



Raccord en Y



Tuyau d'eau
(modèles canadiens
uniquement)

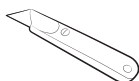


Tuyau d'eau court

Outils nécessaires



Pince



Cutter



Pince serre-tube
(modèles au gaz
uniquement)



Tournevis pour écrous



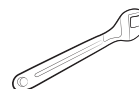
Niveau



Tournevis cruciforme



Ruban adhésif



Clé

AVERTISSEMENT

Les matériaux d'emballage peuvent être dangereux pour les enfants. Tenez tous les emballages (sacs en plastique, polystyrène, etc.) hors de portée des enfants.



Installation

Installation étape par étape

Assurez-vous de faire installer le sèche-linge par un technicien qualifié. Les instructions d'installation étape par étape commencent ci-dessous.

ÉTAPE 1 Installation du système d'évacuation

1. Choisissez un emplacement d'installation et déplacez le sèche-linge jusqu'à cet endroit. Pour faciliter l'accès, nous vous recommandons d'installer le sèche-linge au même endroit que votre lave-linge.
2. Pour changer le sens d'ouverture du hublot, reportez-vous au chapitre « **Changement du sens d'ouverture du hublot** ».
3. Installez le système d'évacuation tel qu'indiqué dans la section « **Guide d'installation du conduit d'évacuation** ».

REMARQUE

- Posez deux des plateaux en carton de l'emballage sur le sol pour déplacer le sèche-linge plus facilement. Inclinez le sèche-linge sur le côté pour le poser sur les deux plateaux. Poussez le sèche-linge de sorte qu'il soit proche de son emplacement final, puis réglez-le à la verticale.
- Laissez de l'espace autour du sèche-linge pour faciliter le raccordement du conduit et le câblage.

ÉTAPE 2 Connexion du conduit de gaz

Tout d'abord, lisez attentivement la section « **Systèmes fonctionnant au gaz** », puis suivez ces étapes.

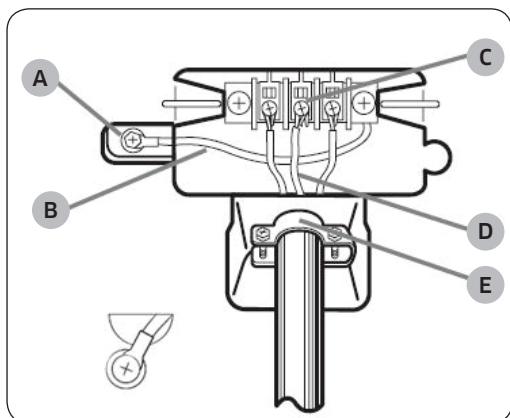
1. Retirez le bouchon de protection au niveau du conduit de gaz.
2. Appliquez un matériau de protection contre le gaz de pétrole liquéfié ou une bande de Téflon sur un tour et demi sur tous les raccords filetés.
3. Branchez l'alimentation en gaz sur le sèche-linge. Un raccord supplémentaire est requis pour relier l'extrémité fileté femelle $\frac{3}{4}$ pouce (1,9 cm) du raccord flexible à l'extrémité fileté mâle de $\frac{3}{8}$ pouce (1 cm) du sèche-linge. Serrez le raccord par-dessus tous les filetages.
4. Ouvrez l'alimentation en gaz et vérifiez l'absence de fuites à l'aide d'une solution savonneuse. Si vous trouvez une fuite, serrez les raccords et réessayez. N'utilisez **JAMAIS** de flamme nue pour rechercher les fuites de gaz.



ÉTAPE 3 Réalisation du câblage électrique

Tout d'abord, lisez attentivement la section « Normes électriques », puis suivez ces étapes.

Système à 3 fils



- A. Connecteur de terre externe
- B. Fil de terre neutre (blanc)
- C. Vis centrale argentée du bornier
- D. Fil neutre (blanc ou central)
- E. Réducteur de tension $\frac{3}{4}$ " (1,9 cm) homologué UL

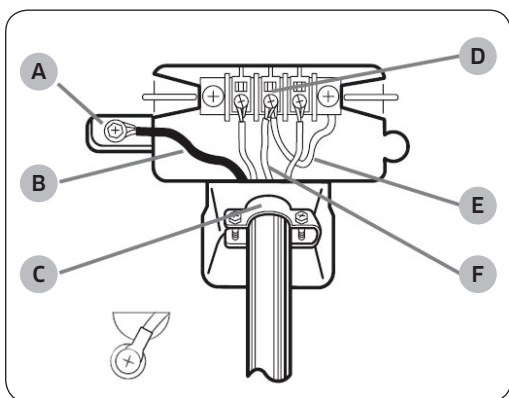
1. Desserrez ou retirez le bornier central.
2. Reliez le fil neutre (blanc ou central) du câble d'alimentation à la borne à vis argentée centrale du bornier. Serrez les vis.
3. Reliez les autres fils aux bornes à vis extérieures. Serrez les vis.
4. Serrez les vis de libération de tension.
5. Insérez le cache du bornier dans le panneau arrière du sèche-linge. Fixez ensuite le cache à l'aide d'une vis.

⚠ ATTENTION

- Pour convertir le système à 4 fils en système à 3 fils, branchez le conducteur de terre sur le support du bornier, pour mettre le châssis du sèche-linge à la terre sur le conducteur neutre.
- Il est recommandé d'utiliser des cosses à anneau. Si vous utilisez des cosses à conducteur, assurez-vous qu'elles sont serrées.

Installation

Système à 4 fils



- A. Connecteur de terre externe
- B. Fil vert ou en cuivre nu du cordon d'alimentation
- C. Réducteur de tension $\frac{3}{4}$ " (1,9 cm) homologué UL
- D. Vis centrale argentée du bornier
- E. Fil de terre neutre (Blanc)
- F. Fil neutre (Blanc ou central)

1. Retirez la vis du connecteur de terre externe, puis reliez le fil de terre (vert ou dénudé) du câble d'alimentation à la vis.

⚠ ATTENTION

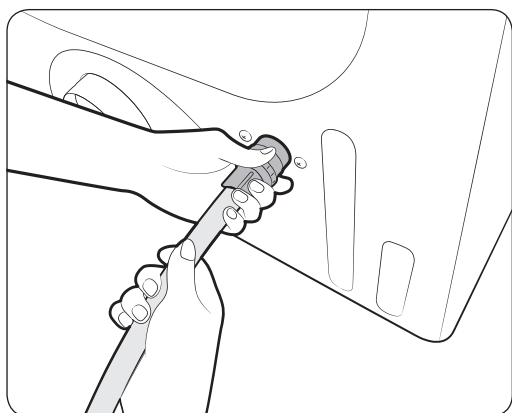
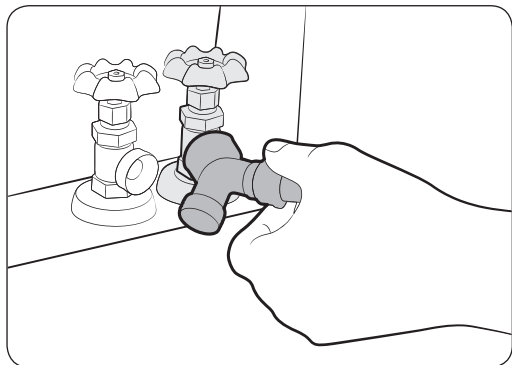
- Pour brancher le fil de terre en position neutre sans passer par le contact A (terre de l'armoire), contactez un technicien. La réparation ne doit pas être effectuée par l'utilisateur.
 - Il est recommandé d'utiliser des cosses à anneau. Si vous utilisez des cosses à conducteur, assurez-vous qu'elles sont serrées.
2. Desserrez ou retirez les vis du bornier central.
 3. Reliez le fil neutre (Blanc ou central) et le fil de terre (Blanc) à la vis centrale du bornier. Serrez la vis.
 4. Reliez les autres fils aux bornes à vis extérieures. Serrez les vis.
 5. Serrez les vis de libération de tension.
 6. Insérez la languette du cache du bornier dans l'encoche arrière du sèche-linge. Fixez le cache à l'aide d'une vis.

⚠ AVERTISSEMENT

- Tous les modèles destinés aux États-Unis sont conçus pour un branchement à 3 fils. Le châssis du sèche-linge est relié à la terre par un conducteur neutre au niveau du bornier. Un branchement à 4 fils est requis dans les cas suivants : nouvelles constructions, habitations rénovées, mobil homes, réglementations locales n'autorisant pas la mise à la terre via le conducteur neutre. Si vous utilisez un système à 4 fils, vous ne pouvez pas mettre le châssis du sèche-linge à la terre via le conducteur neutre au niveau du bornier.
- Retirez le cache du bornier. Introduisez le cordon d'alimentation équipé d'un réducteur de tension homologué UL par l'orifice découpé dans le panneau à proximité du bornier.
- Vous devez impérativement utiliser un réducteur de tension. Ne desserrez pas les écrous déjà fixés au bornier. Assurez-vous qu'ils sont bien serrés. Utilisez une douille longue de $\frac{3}{8}$ " (1 cm).

ÉTAPE 4 Raccordement du tuyau d'eau (modèles applicables uniquement)

Le sèche-linge doit être raccordé à un robinet d'eau froide à l'aide des tuyaux d'eau fournis.

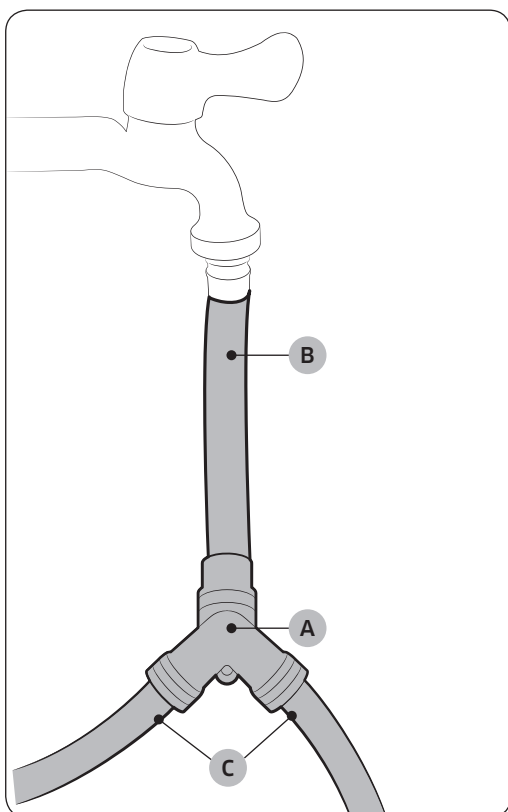


1. Fermez le robinet d'eau froide. Si le tuyau d'eau froide du lave-linge est raccordé au robinet d'eau froide, débranchez-le. Branchez ensuite l'extrémité femelle du raccord en Y au robinet d'eau froide.
2. Branchez la partie droite du tuyau d'eau sur le raccord en Y.
3. À l'aide d'une pince, serrez le raccord de deux tiers de tour. Ne serrez pas excessivement car vous pourriez endommager le raccord.
4. Branchez la partie coudée du tuyau d'eau au robinet de remplissage situé en bas du panneau arrière. Tournez le raccord à la main jusqu'à ce qu'il soit serré.
5. À l'aide d'une pince, serrez le raccord de deux tiers de tour. Ne serrez pas excessivement car vous pourriez endommager le raccord.
6. Si vous avez détaché le tuyau d'eau froide au niveau de votre lave-linge, raccordez le tuyau sur l'extrémité ouverte du raccord en Y, serrez le raccord jusqu'à ce qu'il soit serré puis, à l'aide d'une pince, serrez-le de deux tiers de tour.
7. Ouvrez le robinet d'eau froide, puis vérifiez l'absence de fuites.

Si le raccord en Y ne peut pas être raccordé directement sur le robinet d'eau froide, utilisez le tuyau court comme indiqué sur la page suivante.

Installation

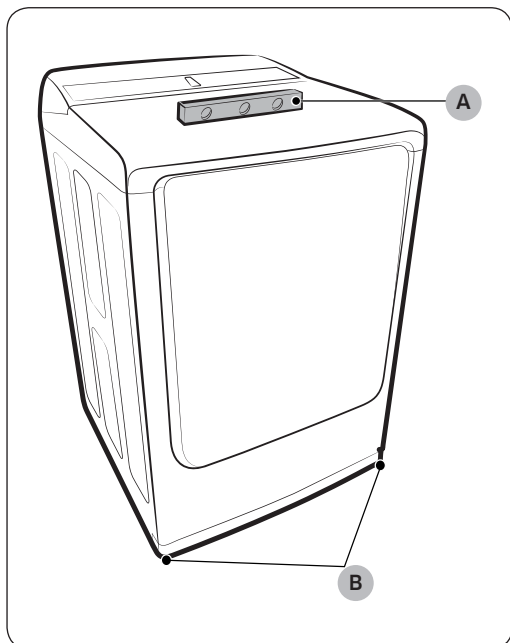
Utilisation du tuyau court comme rallonge



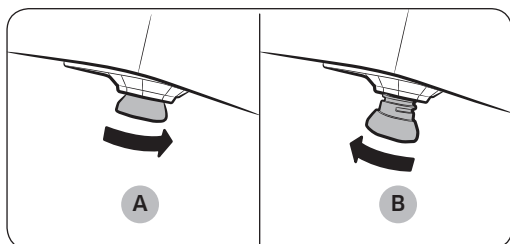
1. Fermez le robinet d'eau froide. Si le tuyau d'eau froide du lave-linge est raccordé au robinet d'eau froide, débranchez-le. Ensuite, raccordez le **tuyau court (B)** sur le robinet d'eau froide. Tournez le raccord à la main jusqu'à ce qu'il soit serré.
2. À l'aide d'une pince, serrez le raccord de deux tiers de tour. Ne serrez pas excessivement car vous pourriez endommager le raccord.
3. Branchez le **raccord en Y (A)** à l'extrémité mâle en laiton du tuyau court. Tournez le raccord à la main jusqu'à ce qu'il soit serré.
4. À l'aide d'une pince, serrez le raccord de deux tiers de tour. Ne serrez pas excessivement car vous pourriez endommager le raccord.
5. Branchez la partie coudée des **tuyaux d'eau (C)** au robinet de remplissage situé en bas du panneau arrière. Tournez le raccord à la main jusqu'à ce qu'il soit serré.
6. À l'aide d'une pince, serrez le raccord de deux tiers de tour. Ne serrez pas excessivement car vous pourriez endommager le raccord.
7. Si vous avez détaché le tuyau d'eau froide au niveau de votre lave-linge, raccordez le tuyau sur l'extrémité libre du raccord en Y, serrez le raccord jusqu'à ce qu'il soit serré puis, à l'aide d'une pince, serrez-le de deux tiers de tour.
8. Ouvrez le robinet d'eau froide, puis vérifiez l'absence de fuites.

ÉTAPE 5 Réglage de la hauteur du sèche-linge

Pour garantir des performances optimales, le sèche-linge doit être de niveau.



1. Assurez-vous que le sèche-linge est de niveau de droite à gauche et de l'avant à l'arrière à l'aide d'un **niveau (A)**. Si le sèche-linge n'est pas de niveau, ajustez les **pieds de mise à niveau (B)** en bas du sèche-linge. Ensuite, vérifiez de nouveau si le sèche-linge est de niveau.



REMARQUE

- Pour positionner le sèche-linge à la même hauteur que votre lave-linge, **rétractez (A)** entièrement les pieds en les faisant tourner dans le sens anti-horaire puis **desserrez-les (B)** dans le sens horaire. Une fois que le sèche-linge est au même niveau que le lave-linge, suivez les consignes ci-dessus pour mettre de niveau le sèche-linge.
- Ajustez les pieds uniquement pour atteindre le niveau requis. Si vous étendez les pieds plus que nécessaire, les vibrations seront plus importantes.



Installation

ÉTAPE 6 Mise sous tension (Modèles à gaz)

Assurez-vous que tous les branchements en gaz, le conduit d'évacuation et tout le câblage sont raccordés correctement. Ensuite, branchez le cordon d'alimentation sur une source d'alimentation et vérifiez l'installation et le bon fonctionnement du sèche-linge à l'aide de la liste de contrôle final de l'étape 7 ci-dessous.

ÉTAPE 7 Dernière vérification

Une fois l'installation terminée, confirmez que :

- Le sèche-linge est branché sur une prise électrique et correctement relié à la terre.
- Les conduits d'évacuation sont raccordés et les joints maintenus par du ruban adhésif.
- Nous avons choisi un système d'évacuation en métal rigide ou flexible et non des flexibles en plastique.
- Le sèche-linge est de niveau et ses pieds sont posés au sol de manière stable.
- Le sèche-linge démarre, fonctionne, chauffe et s'arrête de façon appropriée.

Pour les modèles à gaz :

- Le gaz est alimenté de façon appropriée sans fuites.

ATTENTION

Le brûleur peut ne pas s'allumer si de l'air est présent dans le conduit de gaz. Lancez un cycle de séchage à chaud pour purger le conduit. Si le gaz ne s'allume pas dans un délai de 5 minutes, éteignez le sèche-linge et attendez pendant 5 minutes. Assurez-vous que le robinet d'alimentation en gaz du sèche-linge est ouvert. Pour vérifier l'allumage du gaz, contrôlez l'émission de chaleur au niveau de l'évacuation.

Test de blocage de l'aération

Une fois le sèche-linge installé, lancez le test de blocage de l'aération afin de vérifier si le système de conduits est correctement installé. Le test de blocage de l'aération détecte automatiquement l'état du conduit et signale tout blocage ou problème à l'utilisateur. Le bon raccordement des conduits peut réduire le temps de séchage et économiser de l'énergie.

REMARQUE

Le test de blocage de l'aération doit être exécuté à froid. Si le sèche-linge chauffe après la vérification de l'installation, exécutez un cycle AIR FLUFF (AIR FROID) pendant plusieurs minutes, afin de réduire sa température interne.

Méthode de fonctionnement

1. Assurez-vous que le tambour est vide, puis fermez le hublot.
(Si des vêtements ou d'autres articles se trouvent dans le tambour, le test ne sera pas effectué correctement.)
2. Appuyez sur le bouton **POWER (MARCHE/ARRÊT)** pour allumer le sèche-linge, puis maintenez simultanément les boutons **Cycle 1 + Wrinkle Prevent (Anti-froissage)** enfoncés pendant 3 secondes. Lors du lancement du test de blocage de l'aération, « **Ins** » apparaît à l'écran.
(Si d'autres procédures sont commencées avant de lancer le test de blocage de l'aération, le sèche-linge ne lance pas le test de blocage de l'aération.)



3. Le test de blocage de l'aération commence immédiatement après l'actionnement du bouton **START/PAUSE (DÉPART/PAUSE)**.

Pendant le test, le voyant numérique dessine un cercle en 6 étapes dans le sens horaire.

Le test dure environ 2 minutes. N'ouvrez pas le hublot pendant le test.

4. Après 2 minutes, si le test est terminé, le résultat s'affiche et un signal retentit.

Si l'état du système de conduits est normal, « **0** » apparaît et un signal de fin retentit.

Si l'évacuation du système de conduits ne peut pas se faire correctement, « **CLg** » apparaît et un signal d'alarme retentit.

En cas de tout autre problème, un code d'information s'affiche. Vérifiez les codes d'information dans ce manuel.

- Pour arrêter ou annuler le test de blocage de l'aération, appuyez sur le bouton **POWER (MARCHE/ARRÊT)** pour éteindre le sèche-linge.
- Pendant le test, si « **dc** » apparaît, assurez-vous que le hublot est fermé. Si le message « **C1** » s'affiche, assurez-vous qu'il y a du linge dans le tambour.
- Le résultat s'affiche pendant environ 5 minutes, puis s'efface automatiquement. Vous pouvez effacer le résultat directement en appuyant sur le bouton **POWER (MARCHE/ARRÊT)**.

 **REMARQUE**

- Pendant ou après le test, le tambour interne est chaud. Faites attention à ne pas vous brûler. Le test de blocage de l'aération est utilisé pour vérifier l'absence de problèmes dans le système de conduits actuel lorsque le sèche-linge est installé pour la première fois.
- Si le résultat du test affiche « **CLg** » (le système de conduits est bloqué), reportez-vous aux sections « **Conditions requises en matière de conduits** » et « **Guide d'installation du conduit d'évacuation** » de ce manuel et prenez les mesures appropriées pour le séchage. Si le test est interrompu, il pourrait fournir des résultats incorrects. Suivez les procédures appropriées lorsque vous testez le sèche-linge.
- Même si le résultat du test est normal (« **0** »), le système de conduits pourrait être légèrement bloqué. Installez correctement tous les conduits conformément aux instructions d'installation indiquées dans ce manuel.

Installation

Guide d'installation du conduit d'évacuation

Installation du conduit

1. Assurez-vous que le sèche-linge est correctement installé de sorte que l'évacuation de l'air se fasse sans problème.
2. Utilisez des conduits métalliques rigides de 4 pouces. Scellez tous les joints à l'aide d'un ruban adhésif, y compris le raccordement du sèche-linge.
N'utilisez jamais de vis qui piègent les peluches.
3. Pour faciliter l'évacuation, assurez-vous que les conduits restent aussi droits que possible.

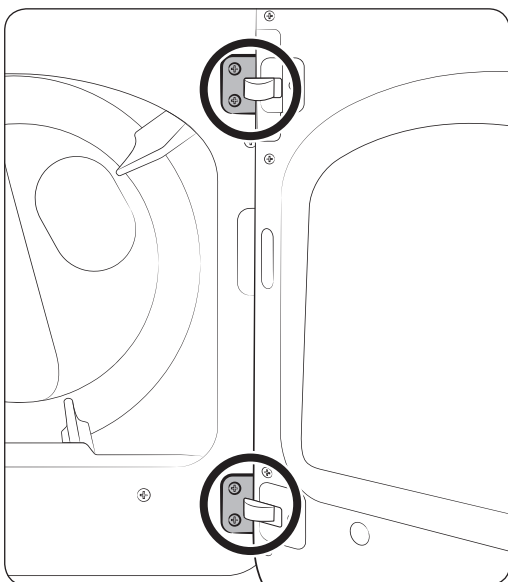
Nettoyage

Nettoyez tous les anciens conduits avant d'installer le sèche-linge et assurez-vous que le clapet d'air s'ouvre et se ferme sans problème. Nous vous recommandons de nettoyer le système d'évacuation chaque année ou régulièrement.

AVERTISSEMENT

- Pour éviter un incendie, n'utilisez aucun type de conduits flexibles en plastique, aux parois fines ou non métalliques.
- Veillez à ce que le système d'évacuation utilisé soit en bon état car cela ralentirait les performances du sèche-linge.
- N'utilisez pas des conduits trop longs qui pourraient avoir plusieurs coudes.
- N'utilisez pas de conduits et d'évents bouchés ou écrasés.

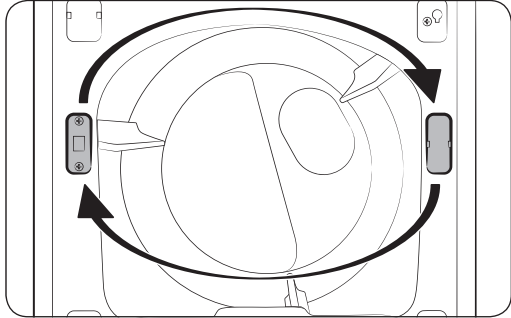
Changement du sens d'ouverture du hublot



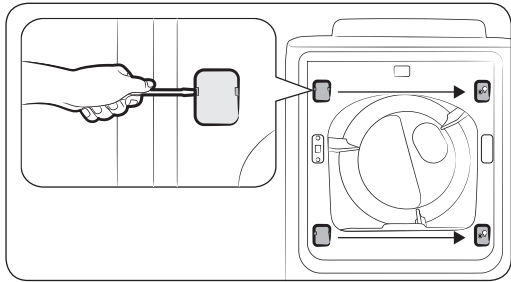
Pour inverser le sens d'ouverture du hublot, nous vous recommandons de contacter un technicien qualifié.

Il est également recommandé de poser un chiffon doux au sol pour éviter les rayures sur le hublot.

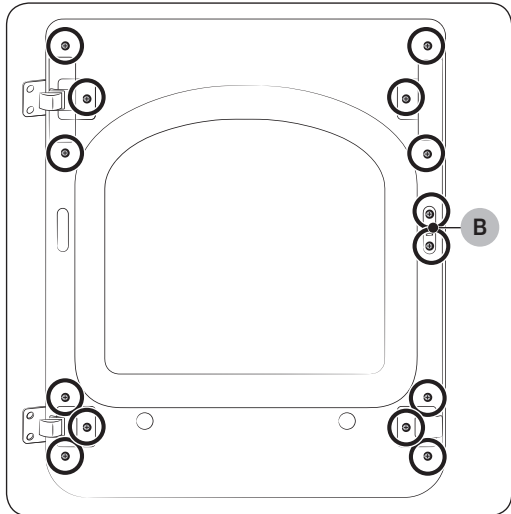
1. Débranchez le cordon d'alimentation du sèche-linge.
2. Retirez les quatre vis des charnières du hublot, puis enlevez le hublot en le soulevant légèrement.



3. Retirez les deux vis du dispositif de fermeture, puis enlevez le cache du dispositif.
4. Installez le support du dispositif de fermeture de l'autre côté comme indiqué, puis serrez les vis. Installez le cache du support sur le côté opposé, comme indiqué.

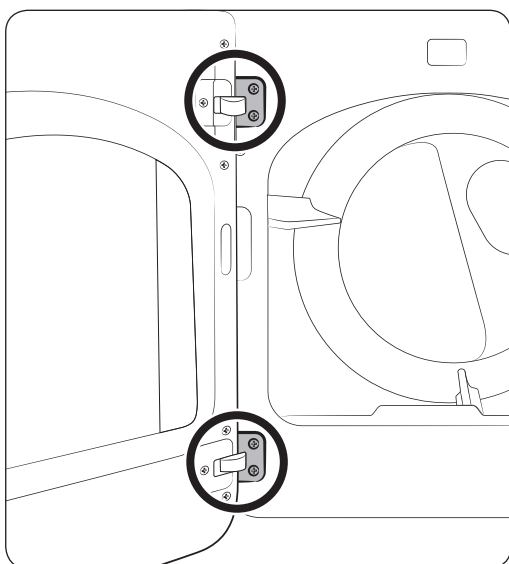
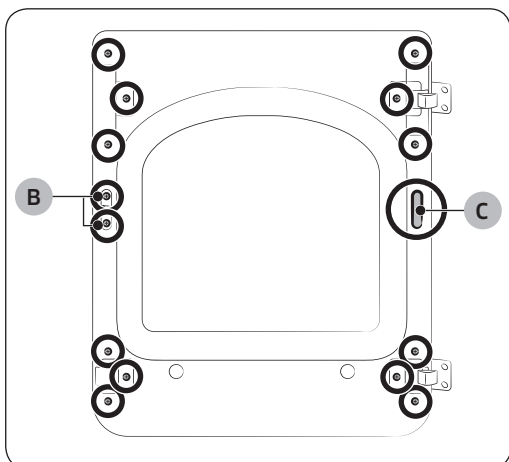
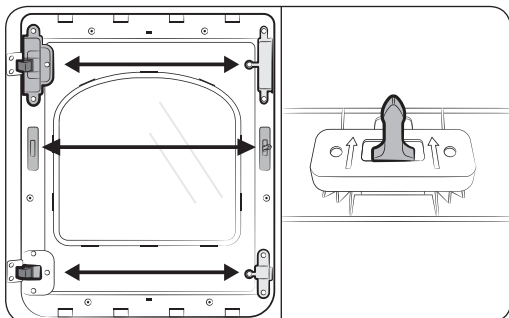


5. Utilisez un tournevis à tête plate pour retirer les deux caches de charnières sur le côté d'origine. Installez les caches de charnières sur le côté opposé, comme indiqué.



6. Repérez et retirez les 14 vis, comme indiqué. Veuillez noter que la vis B (x2) est plus longue que les autres.

Installation



7. Retirez le dispositif de fixation du verre et inversez les positions :
 - a. du cache de charnière et de la poignée d'ouverture du hublot ;
 - b. du support de charnière et du support-guide du verre.
8. Retirez le dispositif de fermeture du hublot, puis installez-le de l'autre côté comme indiqué.
9. Retirez le cache du trou (C), puis insérez et serrez le dispositif de fixation du verre à l'aide des 14 vis retirées.
10. Installez le cache du trou sur le côté opposé, comme indiqué.
11. Réinstallez le hublot sur le cadre avant, puis insérez et serrez soigneusement les 4 vis de charnières.

Avant de démarrer

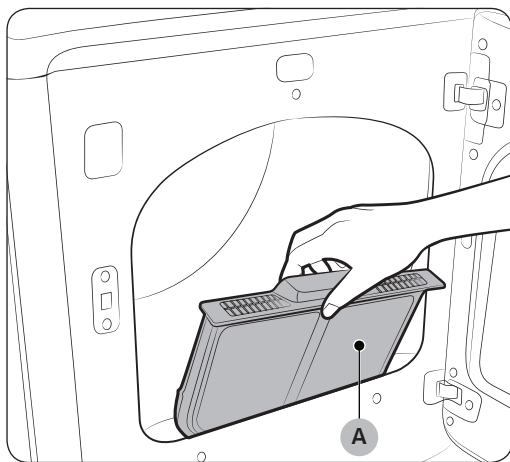
Voici certaines choses que vous devriez savoir avant de démarrer votre sèche-linge.

Tri et charge

- N'introduisez qu'une seule charge de linge à la fois dans le sèche-linge.
- Ne mélangez pas les articles lourds et légers ensemble.
- Pour améliorer l'efficacité du séchage pour un ou deux articles, ajoutez une serviette sèche à la charge.
- Pour des résultats optimaux, démêlez les articles avant de les introduire dans le sèche-linge.
- Une surcharge peut réduire l'action du tambour et ainsi entraîner un séchage inégal et altérer l'effet anti-froissage.
- Sauf indication contraire stipulée sur l'étiquette d'entretien, ne faites pas sécher des articles en laine avec des articles en fibre de verre.
- Évitez de faire sécher des articles non lavés au sèche-linge.
- Ne faites pas sécher des articles salis avec de l'huile, de l'alcool, de l'essence, etc.

Prérequis fonctionnel

Filtre à peluches



Pour éviter le risque d'incendie, assurez-vous de nettoyer le filtre à peluches avant ou après chaque charge.

1. Éteignez le sèche-linge.
2. Ouvrez le hublot et retirez le **filtre à peluches (A)** de l'intérieur du tambour.
3. Retirez les peluches qui se sont accumulées, puis nettoyez le filtre à peluches.
4. Réinsérez le filtre à peluches, puis fermez le hublot.

! ATTENTION

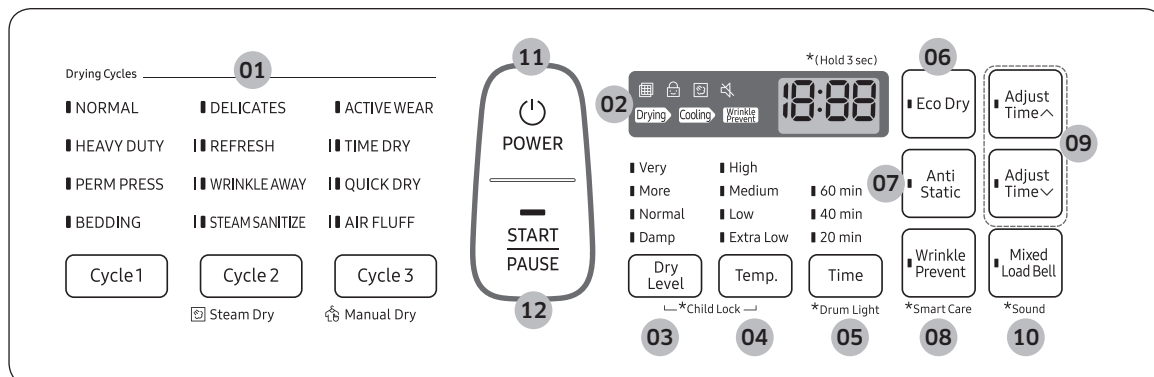
- Ne faites pas fonctionner le sèche-linge si le filtre à peluches n'est pas remis en place.
- N'utilisez pas un filtre à peluches endommagé ou cassé. Cela peut réduire les performances et/ou entraîner un incendie.

Opérations



⚠ AVERTISSEMENT

Afin de réduire le risque d'incendie, d'électrocution ou de blessures, consultez la section « Consignes de sécurité » avant d'utiliser cet appareil.

Panneau de fonctions



<p>01 Panneau de cycles</p>	<p>Le sèche-linge vous permet de sélectionner un cycle parmi ceux proposés sur le panneau le plus à gauche. Ce panneau de cycles se compose de 3 sections et des boutons de la section correspondante : Cycle 1, Cycle 2 et Cycle 3.</p> <p>Vérifiez chaque section et appuyez sur le bouton de la section correspondante pour sélectionner un cycle qui répond à vos besoins.</p> <ul style="list-style-type: none"> • Cycles Séchage par capteur : Le sèche-linge détecte l'humidité interne qui sera appliquée au temps de séchage. Cette catégorie inclut : NORMAL, HEAVY DUTY (GRAND RENDEMENT), PERM PRESS (INFROISSABLES), BEDDING (DRAPS), DELICATES (DÉLICAT) et ACTIVE WEAR (VÊTEMENTS DE SPORT). • Cycles Séchage par vapeur : Le sèche-linge pulvérise de l'eau dans le tambour pour désodoriser les vêtements et pour réduire l'électricité statique et l'effet de froissage. Cette catégorie inclut REFRESH (RAFRAÎCHIR), WRINKLE AWAY (ANTI-FROISSAGE) et STEAM SANITIZE (STÉRILISATION VAPEUR). • Cycles de Séchage manuel : Le temps de séchage est fixe. Cette catégorie inclut : TIME DRY (TEMPS DE SÉCHAGE), QUICK DRY (SÉCHAGE RAPIDE) et AIR FLUFF (AIR FROID).
<p>02 Affichage numérique</p>	<p>Affiche toutes les informations du cycle, notamment sa durée, son code d'information et son état de fonctionnement.</p> <ul style="list-style-type: none"> • Vérification du filtre • Sécurité enfant • Vapeur

03 Dry Level (Niveau de séchage)	<p>Appuyez sur Dry Level (Niveau de séchage) pour sélectionner un niveau de séchage à partir des options disponibles. Le témoin correspondant s'allume.</p> <ul style="list-style-type: none"> • Pour obtenir un séchage parfait sur des volumes de linge plus importants, vous pouvez utiliser Very Dry (Séchage très fort) ou More Dry (Séchage fort). • Le paramètre Damp Dry (Légèrement humide) a été conçu pour sécher partiellement le linge. Utilisez-le pour les articles qui doivent finir de sécher à plat ou en suspension. <p> REMARQUE</p> <p>Cette option n'est pas disponible avec : AIR FLUFF (AIR FROID), ACTIVE WEAR (VÊTEMENTS DE SPORT), TIME DRY (TEMPS DE SÉCHAGE), QUICK DRY (SÉCHAGE RAPIDE), REFRESH (RAFRAÎCHIR), WRINKLE AWAY (ANTI-FROISSAGE) et STEAM SANITIZE (STÉRILISATION VAPEUR).</p>
04 Temp. (Température)	<p>Appuyez sur Temp. (Température) pour modifier la température du cycle en cours.</p> <ul style="list-style-type: none"> • High (Élevée) : Pour le linge en coton résistant ou portant l'étiquette Séchage en machine autorisé. • Medium (Moyenne) : Pour les tissus infroissables, le synthétique, les cotons légers et le linge portant l'étiquette Séchage en machine à température moyenne. • Low (Basse) : Pour les articles sensibles à la chaleur, dont l'étiquette indique Séchage en machine à froid ou tiède. • Extra Low (Très basse) : Séchage à la plus basse température possible.
05 Time (Temps)	<p>Appuyez sur Time (Temps) pour sélectionner un temps de séchage pour le cycle sélectionné. Cette fonction est disponible uniquement avec TIME DRY (TEMPS DE SÉCHAGE), QUICK DRY (SÉCHAGE RAPIDE), AIR FLUFF (AIR FROID), et WRINKLE AWAY (ANTI-FROISSAGE).</p>
06 Eco Dry (Séchage Éco)	<p>Cette fonction est disponible avec NORMAL et TIME DRY (TEMPS DE SÉCHAGE). Avec la fonction Eco Dry (Séchage Éco) activée, le séchage prend plus longtemps mais la consommation d'énergie est réduite.</p> <p>Le temps de séchage peut être augmenté jusqu'à 3 fois en fonction de la température et de la charge. La fonction Séchage Éco est activée par défaut.</p>
07 Anti Static (Anti-statique)	<p>Réduit l'électricité statique générée lors de la friction entre les vêtements. Cette option fonctionne par la pulvérisation de vapeur à un stade ultérieur du cycle de séchage.</p> <p> REMARQUE</p> <p>La fonction Anti-statique est uniquement disponible avec NORMAL, HEAVY DUTY (GRAND RENDEMENT), PERM PRESS (INFROISSABLES), DELICATES (DÉLICAT) et TIME DRY (TEMPS DE SÉCHAGE).</p>

Opérations

08 Wrinkle Prevent (Anti-froissage)	Cette fonction assure 180 minutes de rotation à froid par intermittence à la fin du cycle pour éviter de froisser le linge. Appuyez sur Wrinkle Prevent (Anti-froissage) pour activer cette fonction. Le linge est sec et vous pouvez le retirer à tout moment pendant le cycle Anti-froissage.
09 Adjust Time (Réglage du temps)	Vous pouvez modifier la durée réglée pour le cycle sélectionné. Cette fonction est disponible uniquement avec TIME DRY (TEMPS DE SÉCHAGE), QUICK DRY (SÉCHAGE RAPIDE), AIR FLUFF (AIR FROID), et WRINKLE AWAY (ANTI-FROISSAGE). Pour modifier la durée du cycle, appuyez sur Adjust Time (Réglage du temps) ^ ou sur Adjust Time (Réglage du temps) v, jusqu'à ce que la durée souhaitée s'affiche.
10 Mixed Load Bell (Sonnerie charge mixte)	La sonnerie de charge mixte vous avertit que le niveau de séchage moyen dans une charge est humide (séché à 80 %). Cela vous permet de prendre les vêtements que vous ne souhaitez pas entièrement secs ou qui sèchent rapidement hors du sèche-linge tout en permettant aux autres de continuer à sécher. Vous pouvez sélectionner cette option pour tous les cycles avec capteur de séchage, sauf : AIR FLUFF (AIR FROID), ACTIVE WEAR (VÊTEMENTS DE SPORT), TIME DRY (TEMPS DE SÉCHAGE), QUICK DRY (SÉCHAGE RAPIDE), REFRESH (RAFRAÎCHIR), WRINKLE AWAY (ANTI-FROISSAGE), STEAM SANITIZE (STÉRILISATION VAPEUR). Les niveaux de séchage disponibles sont Normal Dry (Séchage normal), More Dry (Séchage fort) et Very Dry (Séchage très fort).
11 POWER (MARCHE/ARRÊT)	Appuyez sur ce bouton pour allumer/éteindre le sèche-linge.
12 START/PAUSE (DÉPART/PAUSE)	Appuyez sur ce bouton et maintenez-le enfoncé pour démarrer le fonctionnement, ou appuyez sur ce bouton pour arrêter l'opération.

REMARQUE

Les articles extrêmement emmêlés à la sortie du lave-linge peuvent dégrader l'efficacité de séchage ou entraîner l'ouverture du hublot. Nous vous recommandons de les démêler avant le séchage.

Ne mettez pas d'objets sur le sèche-linge, en particulier sur le panneau de fonctions.

ATTENTION

Ne pulvérisez pas d'eau sur le panneau de fonctions. Cela peut entraîner une défaillance du système.

Étapes simples pour commencer

1. Appuyez sur **POWER (MARCHE/ARRÊT)** pour allumer le sèche-linge.
2. Appuyez sur ce bouton pour sélectionner un cycle sur le panneau le plus à gauche.
3. Modifiez les paramètres du cycle (**Dry Level (Niveau de séchage)**, **Temp. (Température)** et **Time (Temps)**) selon les besoins.
4. À titre d'option, vous pouvez activer les options disponibles en appuyant sur le bouton correspondant (**Anti Static (Anti-statique)**, **Eco Dry (Séchage Éco)**, **Mixed Load Bell (Sonnerie charge mixte)** et /ou **Wrinkle Prevent (Anti-froissage)**).
5. Appuyez sur **START/PAUSE (DÉPART/PAUSE)**. Le témoin du sèche-linge s'allume avec une durée de cycle estimée sur l'écran.

Pour changer de cycle pendant l'utilisation

1. Appuyez **START/PAUSE (DÉPART/PAUSE)** pour arrêter l'utilisation.
2. Sélectionnez un autre cycle.
3. Appuyez à nouveau sur **START/PAUSE (DÉPART/PAUSE)** pour commencer le nouveau cycle.

Opérations

Présentation des cycles

Séchage par capteur

Cycle	Description
NORMAL	Pour la plupart des tissus y compris le coton et le lin. Si le cycle NORMAL est sélectionné, la fonction Séchage Éco est activée par défaut. Pour en savoir plus, reportez-vous au chapitre Séchage Éco de la section « Panneau de fonctions ».
HEAVY DUTY (GRAND RENDEMENT)	Pour sécher des articles faits de tissus lourds, tels que les jeans, le velours côtelé ou les vêtements de travail, avec une température élevée.
PERM PRESS (INFROISSABLES)	Ce cycle permet le séchage automatique des tissus infroissables en coton, synthétique et lainage.
BEDDING (DRAPS)	Pour les objets volumineux, comme les couvertures, les draps et les couettes.
DELICATES (DÉLICAT)	Pour les articles sensibles à la chaleur à une faible température de séchage.
ACTIVE WEAR (VÊTEMENTS DE SPORT)	Pour laver les vêtements de sports et d'extérieur tels que les maillots, les shorts, les vestes imperméables et autres. Les tissus épais comme une fermeture éclair ou le Velcro d'une veste, ou des chaussettes de sport peuvent ne pas être complètement séchés.

Séchage par vapeur

Cycle	Description
REFRESH (RAFRAÎCHIR)	Cycle anti-froissage et désodorisant pour des charges de un à quatre articles. Lorsque ce cycle est sélectionné, une faible quantité d'eau est vaporisée dans le tambour du sèche-linge, quelques minutes après le début du cycle de séchage à chaud. Confirmez que la charge de linge est sèche.
WRINKLE AWAY (ANTI-FROISSAGE)	Pour des résultats optimaux, chargez 2 à 3 articles à la fois. Vous pouvez allonger le temps de séchage avec un minimum de 20 minutes, en fonction du type d'article ou de la charge. Confirmez que la charge de linge est sèche.
STEAM SANITIZE (STÉRILISATION VAPEUR)	Utilisez ce cycle pour stériliser le linge en appliquant de la vapeur et une température élevée sur le tissu. Ce cycle peut rendre le linge plus doux et réduire les odeurs. Confirmez que la charge de linge est humide ou partiellement humide.

Séchage manuel

Cycle	Description
TIME DRY (TEMPS DE SÉCHAGE)	Vous pouvez spécifier un temps de séchage en minutes. Si TIME DRY (TEMPS DE SÉCHAGE) est sélectionné, la fonction Séchage Éco est activée par défaut. Pour en savoir plus, reportez-vous au chapitre Séchage Éco de la section « Panneau de fonctions ».
QUICK DRY (SÉCHAGE RAPIDE)	Un cycle de séchage rapide de 30 minutes.
AIR FLUFF (AIR FROID)	Fait tourner la charge dans de l'air à température ambiante.

Opérations

Guide de séchage

Le meilleur moyen pour sécher des articles est de suivre les instructions figurant sur l'étiquette d'entretien. Si aucune instruction de séchage n'est fournie, reportez-vous au tableau suivant pour référence.

Cycle	Description
Couvre-lits et couettes	Suivez les instructions figurant sur l'étiquette d'entretien ou séchez à l'aide du cycle BEDDING (DRAPS). <ul style="list-style-type: none">Assurez-vous que l'article est complètement sec avant de l'utiliser ou de le ranger.Il est parfois nécessaire de repositionner l'article dans le tambour pour assurer un séchage homogène.
Couvertures	Utilisez NORMAL et ne séchez qu'une couverture à la fois pour garantir un séchage optimal. <ul style="list-style-type: none">Assurez-vous que les couvertures sont complètement sèches avant de les utiliser ou de les ranger.
Rideaux et tentures	Utilisez PERM PRESS (INFROISSABLES) et le paramètre de température Medium (Moyenne) pour réduire le froissage. <ul style="list-style-type: none">Faites sécher vos rideaux et tentures par petites charges pour des résultats optimaux et retirez-les du sèche-linge dès que possible après la fin du cycle.
Couches en tissu	Utilisez NORMAL et le paramètre de température High (Élevée) pour les couches ouatées et duveteuses.
Articles garnis de duvet (vestes, sacs de couchage, couettes, etc.)	Utilisez NORMAL et le paramètre de température Medium (Moyenne). <ul style="list-style-type: none">Ajoutez quelques serviettes sèches pour absorber l'humidité et réduire le temps de séchage.
Caoutchouc mousse (tapis, peluches, épaulettes, etc.)	Ne séchez pas ces articles à un réglage de température élevée. Utilisez AIR FLUFF (AIR FROID). ⚠ AVERTISSEMENT Sécher un article à base de caoutchouc à un réglage de température élevée risque de l'endommager ou de provoquer un incendie.
Oreillers	Utilisez NORMAL. <ul style="list-style-type: none">Ajoutez quelques serviettes sèches et une paire de baskets propres pour favoriser l'action du tambour et dépelucher les oreillers.Ne faites pas sécher des oreillers à base de capoc ou de mousse avec un cycle de séchage à chaud. Vous pouvez faire sécher ces articles uniquement si vous utilisez AIR FLUFF (AIR FROID).
Plastiques (rideaux de douche, bâches, etc.)	Utilisez AIR FLUFF (AIR FROID) ou TIME DRY (TEMPS DE SÉCHAGE) et les paramètres de température Low (Basse) ou Extra Low (Très basse), en fonction des instructions de l'étiquette d'entretien.

⚠ AVERTISSEMENT

Ne faites pas sécher :

- Des articles en fibre de verre (rideaux, tentures, etc.)
- Des articles en laine, sauf indication contraire sur l'étiquette
- Des articles tâchés ou imprégnés d'huile végétale ou alimentaire

Fonctions spéciales

Sécurité enfant

Cette fonction empêche les enfants de jouer avec le sèche-linge. Lorsque la fonction Sécurité enfant est activée, seul le bouton **POWER (MARCHE/ARRÊT)** est opérationnel.

Pour activer/désactiver la fonction Sécurité enfant, appuyez simultanément sur les boutons **Dry Level (Niveau de séchage)** et **Temp. (Température)** pendant 3 secondes.

REMARQUE

Une fois la fonction Sécurité enfant activée, elle reste active même après le redémarrage du sèche-linge.

Si les boutons, à l'exception du bouton **POWER (MARCHE/ARRÊT)**, ne répondent pas, vérifiez le témoin Sécurité enfant. Si le témoin est allumé, suivez les instructions ci-dessus pour désactiver la fonction Sécurité enfant.

Éclairage du tambour

Pour allumer l'éclairage du tambour pendant que le sèche-linge est en marche, maintenez **Time (Temps)** enfoncé pendant 3 secondes.

REMARQUE

Après 2 minutes d'inactivité, la lumière du tambour s'éteint automatiquement.

Activation/Désactivation du son

Pour désactiver les signaux sonores et mélodies de notification du sèche-linge, maintenez le bouton **Mixed Load Bell (Sonnerie charge mixte)** enfoncé pendant 3 secondes.

Pour annuler la mise en sourdine du sèche-linge, maintenez de nouveau le bouton **Mixed Load Bell (Sonnerie charge mixte)** enfoncé pendant 3 secondes.

REMARQUE

Cette fonction reste active même après le redémarrage du sèche-linge.

Opérations

Smart Care

Si le sèche-linge affiche un code d'information, vous pouvez utiliser la fonction Smart Care pour vérifier l'état du sèche-linge sur un smartphone. Pour utiliser la fonction Smart Care, vous devez avoir installé l'application Samsung Smart Care sur votre smartphone.

REMARQUE

Smart Care est optimisé pour les téléphones Samsung Galaxy et iPhones d'Apple. (Non compatible avec certains modèles.)

Téléchargez l'application Samsung Smart Care depuis Google Play Store ou depuis Apple App Store (mot-clé de recherche : « **Samsung Smart Washer/Dryer** ») et installez-la sur votre smartphone.

Si un code d'information apparaît sur le sèche-linge, suivez les étapes ci-après :

1. Appuyez et maintenez enfoncé **Wrinkle Prevent (Anti-froissage)** pendant 3 secondes pour activer la fonction Smart Care. Le voyant de la fonction Smart Care s'allume.
2. Lancez l'application Smart Care sur votre smartphone.
3. Rapprochez la caméra de votre smartphone de l'écran du sèche-linge. L'application reconnaît automatiquement le code d'information et affiche des suggestions sur votre smartphone.
4. Si votre smartphone ne parvient pas à reconnaître le code d'information à plus de deux reprises, saisissez le code d'information manuellement dans l'application Smart Care.

ATTENTION

- Si de la lumière se reflète sur l'écran du sèche-linge, votre smartphone peut ne pas reconnaître le code d'information.
- Si vous tenez le smartphone à un certain angle par rapport à l'écran du sèche-linge, votre smartphone peut ne pas reconnaître le code d'information. Pour de meilleurs résultats, maintenez le smartphone de sorte que l'avant du panneau et le smartphone soient parallèles ou quasiment.
- Après avoir utilisé cette fonction, le sèche-linge supprimera l'enregistrement du code d'information dans son journal de codes.

Maintenance

Maintenez le sèche-linge propre afin d'éviter de dégrader ses performances et pour allonger sa durée de vie.

AVERTISSEMENT

Le panneau de commande et la vanne d'alimentation en eau sont intentionnellement non mis à la terre et peuvent présenter un risque d'électrocution uniquement lors d'une réparation.

Technicien de maintenance : ne touchez pas ces pièces lorsque le sèche-linge est sous tension.

Nettoyage

Panneau de fonctions

- Nettoyez-le avec un chiffon doux et humide. N'utilisez pas de produits abrasifs.
- Ne vaporisez pas de produits de nettoyage liquides directement sur l'écran du sèche-linge.
- Certains détachants pour tissu peuvent endommager le panneau de fonctions.
- Lorsque vous utilisez des produits de nettoyage liquides, appliquez-les sur un chiffon de nettoyage. Ne les appliquez pas directement sur le sèche-linge. Essuyez immédiatement toute éclaboussure ou vaporisation en excès.

Tambour

- Éliminez toute tache présente sur le tambour à l'aide d'un détachant universel.
- Passez les vieilles serviettes ou les vieux torchons au tambour pour retirer toute substance restante (tache ou détachant).
Les taches peuvent être encore visibles, mais n'affecteront pas les charges suivantes.

Tambour thermolaqué

Pour nettoyer le tambour thermolaqué, utilisez un chiffon humide imprégné d'un nettoyant doux et non abrasif adapté aux surfaces aisément altérées.

Retirez les résidus de détergent et essuyez avec un chiffon propre.

Extérieur du sèche-linge

- Nettoyez-le avec un chiffon doux et humide. N'utilisez pas de produits abrasifs.
- Protégez la surface des objets pointus.
- N'entreposez pas d'objets lourds (ex. : baril de lessive) ou à arêtes tranchantes sur le sèche-linge. Ceci risquerait de rayer ou d'endommager le capot supérieur du sèche-linge.
- Toute la surface du sèche-linge est lisse et brillante. Faites attention à ne pas rayer ou endommager la surface.

Système d'évacuation

- Vérifiez et nettoyez le système d'évacuation une fois par an ou de façon régulière afin de maintenir des performances optimales.
- La hotte externe doit être nettoyée plus fréquemment pour garantir une bonne circulation de l'air.

Dépannage

Contrôles à effectuer

Si le sèche-linge ne fonctionne pas normalement, vérifiez tout d'abord la liste des problèmes dans le tableau ci-dessous et essayez les solutions proposées.

Problème	Action
Ne fonctionne pas.	<ul style="list-style-type: none">• Assurez-vous que le hublot est bien fermé.• Vérifiez que le cordon d'alimentation est branché sur une prise électrique opérationnelle.• Vérifiez le disjoncteur et les fusibles de votre domicile.• Appuyez ou tapez doucement de nouveau sur START/PAUSE (DÉPART/PAUSE) en cas d'ouverture du hublot en cours de cycle.• Nettoyez le filtre à peluches.
Ne chauffe pas.	<ul style="list-style-type: none">• Vérifiez le disjoncteur et les fusibles de votre domicile.• Certains cycles ne nécessitent pas de chauffage. Vérifiez à nouveau le cycle sélectionné.• Pour un sèche-linge à gaz, assurez-vous que l'alimentation en gaz est ouverte.• Nettoyez le filtre à peluches et le conduit d'évacuation.• Le sèche-linge est peut-être en phase de refroidissement du cycle.
Ne sèche pas.	<ul style="list-style-type: none">• Vérifiez tous les points mentionnés ci-dessus, plus...• Vérifiez que la hotte extérieure s'ouvre et se ferme sans problème.• Vérifiez que des peluches ne se sont pas accumulées dans le système d'évacuation. Le conduit doit être inspecté et nettoyé une fois par an.• Utilisez un conduit d'évacuation métallique rigide de 4 pouces.• Évitez de surcharger le tambour 1 charge de linge lavée = 1 charge de linge à sécher.• Séchez le linge épais et le linge léger séparément.• Il est parfois nécessaire de repositionner dans le sèche-linge les articles volumineux, comme les couvertures ou les couettes, pour assurer un séchage homogène.• Assurez-vous que votre sèche-linge se vidange correctement et qu'il essore votre linge de façon appropriée.• La charge de linge est peut-être insuffisante pour que l'action du tambour soit efficace. Ajoutez quelques serviettes et relancez le cycle.• La charge de linge est peut-être trop importante pour que l'action du tambour soit efficace. Retirez du linge et relancez le sèche-linge.• Nettoyez le filtre à peluches.

Problème	Action
Fait du bruit.	<ul style="list-style-type: none"> • Vérifiez le linge à la recherche de pièces de monnaie, de boutons dé cousus, de clous, etc. Retirez aussitôt ces objets. • Il est normal d'entendre la mise en marche et l'arrêt du robinet de gaz du sèche-linge (le cas échéant) ou du système de chauffage, tout au long du cycle de séchage. • Assurez-vous que le sèche-linge est correctement surélevé, comme indiqué dans les consignes d'installation. • Il est normal que le sèche-linge émette un « bourdonnement », du fait de la grande vitesse de déplacement de l'air à travers le tambour du sèche-linge, le ventilateur ou le système d'évacuation.
Ne sèche pas le linge uniformément.	<ul style="list-style-type: none"> • Les coutures, les poches et les autres zones épaisses peuvent ne pas sécher complètement alors que le reste du linge a atteint le niveau de séchage sélectionné. Ceci est tout à fait normal. Vous pouvez choisir un niveau de séchage plus haut ou un cycle impliquant un plus haut niveau de séchage. • Si vous faites sécher un article épais avec une charge légère, par exemple une serviette de toilette avec des draps, il est possible que l'article le plus lourd ne soit pas complètement sec quand le reste du linge atteindra le niveau de séchage sélectionné. • Pour des résultats de séchage optimaux, faites sécher séparément les articles lourds et les articles légers.
Présence d'odeurs.	<ul style="list-style-type: none"> • Les odeurs ménagères (peinture, vernis, détachant, etc.) peuvent entrer dans le sèche-linge via l'air ambiant. Cette situation est normale puisque le sèche-linge aspire l'air de la pièce, le chauffe, l'introduit dans le tambour, puis l'éjecte à l'extérieur. • Lorsque ces odeurs persistent dans l'air, aérez complètement la pièce avant d'utiliser le sèche-linge. • Utilisez un cycle disposant de la fonction Rafraîchir. Si les odeurs persistent, lavez et séchez de nouveau les articles.

Dépannage

Problème	Action
Les vêtements sont pelucheux.	<ul style="list-style-type: none">Assurez-vous que le filtre est propre avant chaque cycle. Pour les vêtements accumulant naturellement des peluches, nettoyez le filtre durant le cycle.Certains textiles produisent une grande quantité de peluches (ex. : serviettes en coton). C'est pourquoi ces articles doivent être séchés séparément des textiles qui attirent les peluches (ex. : pantalon en velours).Si la quantité de linge est trop importante, répartissez la charge en plusieurs lots pour le séchage.Vérifiez soigneusement les poches des vêtements avant de les sécher, puis faites sécher les vêtements.Retirez les peluches présentes à l'intérieur du tambour avant le séchage.
Les articles sont quand-même froissés après un cycle Wrinkle Prevent (Anti-froissage) (Wrinkle Away, Wrinkle Release) (Anti-froissage).	<ul style="list-style-type: none">Chargez entre 1 et 4 articles pour plus d'efficacité.Allégez la charge. Faites sécher des articles similaires.Retirez les articles immédiatement après la fin du cycle de séchage.
De l'eau s'écoule par la buse au démarrage du cycle Steam (Vapeur).	<ul style="list-style-type: none">Il s'agit de la condensation de la vapeur. Ce phénomène s'arrête tout seul en peu de temps.
L'eau vaporisée est invisible lors du cycle Steam (Vapeur).	<ul style="list-style-type: none">Il est difficile de voir les minuscules gouttes d'eau vaporisées lorsque le hublot est fermé.
Temps allongé.	<ul style="list-style-type: none">La fonction Séchage par capteur calcule automatiquement le taux d'humidité du linge et arrête le sèche-linge une fois le degré souhaité de séchage atteint. La durée de séchage peut varier en fonction du type et de la quantité de linge. Consultez le tableau des cycles pour référence.

Si un problème persiste, prenez contact avec un centre de service Samsung local.

Codes d'information

En cas de dysfonctionnement du sèche-linge, un code d'information peut apparaître sur l'écran. Pour déterminer ce que vous devez faire, vérifiez la liste de codes figurant dans le tableau ci-dessous, puis essayez les actions suggérées.

Code	Action
dC	Fonctionnement du sèche-linge avec le hublot ouvert. <ul style="list-style-type: none">Assurez-vous que le hublot est correctement fermé.Assurez-vous que le linge n'est pas pris dans le hublot.
FC	Fréquence de source d'alimentation non valide <ul style="list-style-type: none">Essayez de relancer le cycle.Si ce code d'information subsiste, contactez un centre de service Samsung.
AC	Problème de commande électronique (Communication non valide) <ul style="list-style-type: none">Contactez un centre de service Samsung.
HC	Contrôle du chauffage à haute température <ul style="list-style-type: none">Nettoyez le filtre à peluches.Si ce code d'information subsiste, contactez un centre de service Samsung. (Passez en mode de test de ligne)
9C1	La commande électronique doit être vérifiée. <ul style="list-style-type: none">Vérifiez si l'alimentation électrique est correctement fournie.Si le code d'information subsiste, contactez un centre de service Samsung.
tC	La résistance de la thermistance1 est très faible ou très élevée. <ul style="list-style-type: none">Vérifiez si le filtre à peluches est bloqué.Vérifiez si le système d'aération est limité.Si ce code d'information subsiste, contactez un centre de service Samsung.
tC5	La résistance de la thermistance2 est très faible ou très élevée. <ul style="list-style-type: none">Vérifiez si le filtre à peluches est bloqué.Vérifiez si le système d'aération est limité.Si ce code d'information subsiste, contactez un centre de service Samsung.
dF	Interrupteur du hublot incorrect. <ul style="list-style-type: none">Contactez un centre de service Samsung.





Si un code d'information demeure affiché sur l'écran, contactez un centre de service Samsung.

Caractéristiques techniques

Tableau des symboles textiles

Les symboles suivants fournissent des conseils d'entretien des vêtements. Les étiquettes d'entretien des vêtements incluent des symboles relatifs au séchage, au blanchiment, au repassage et au nettoyage à sec. L'utilisation de ces symboles garantit la cohérence des informations entre les fabricants de vêtements (articles domestiques ou importés). Suivez les directives figurant sur l'étiquette d'entretien afin d'optimiser la durée de vie de votre linge et d'éviter des problèmes de lavage.

Cycle de lavage

	Normal
	Tissus infroissables/Infroissable/ Anti-froissage
	Gentle/Délicat
	Lavage main




Température de l'eau

...	Chaude
..	Tiède
.	Froide



REMARQUE

Le tableau Température de l'eau répertorie les températures appropriées de l'eau de lavage pour divers articles. La plage de températures est comprise entre 106 et 126 °F (41 et 52 °C) pour Chaude, entre 84 et 106 °F (29 et 41 °C) pour Tiède et entre 61 et 84 °F (16 et 29 °C) pour Froide. (La température de l'eau de lavage doit être d'au moins 61 °F (16 °C) pour activer les agents nettoyants et obtenir un lavage efficace.)



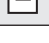
Agent de blanchiment

	Tout type (si nécessaire)
	Agent de blanchiment non chloré (non décolorant) uniquement (si nécessaire)
	Séchage en machine






Normal

	Tissus infroissables/Infroissable/ Anti-froissage
	Gentle/Délicat




Instructions spéciales

	Séchage en suspension
	Séchage sans essorage
	Séchage à plat







Température

	Élevée
	Moyenne
	Basse
	Toutes températures
	Sans chaleur/À l'air libre






Températures de repassage facile ou vapeur

	Élevée
	Moyenne
	Basse

Symboles d'avertissement pour le lavage

	Ne pas laver
	Ne pas tordre
	Pas de chlorage
	Séchage en machine interdit
	Pas de vapeur (ajoutée au fer à repasser)
	Pas de repassage

Nettoyage à sec

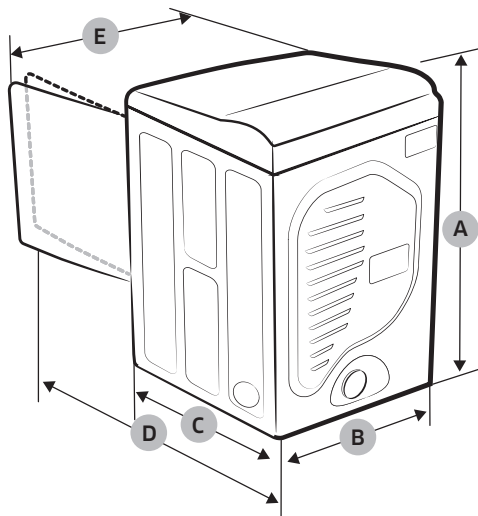
	Nettoyage à sec
	Pas de nettoyage à sec
	Séchage sur corde / en suspension
	Séchage sans essorage
	Séchage à plat

Protection de l'environnement

Cet appareil a été fabriqué à partir de matériaux recyclables. Si vous décidez de le jeter, veuillez respecter les normes locales en matière d'évacuation des déchets. Coupez le cordon d'alimentation de façon à ce que l'appareil ne puisse pas être raccordé à une source électrique. Retirez le hublot pour que des animaux et des jeunes enfants ne se retrouvent pas piégés à l'intérieur de l'appareil.

Caractéristiques techniques

Fiche de caractéristiques techniques



Type		Sèche-linge à chargement frontal	
Modèle		DVE(G)52M8650*	
Dimensions	A. Hauteur	Appareil, pouces (cm)	42,4 (107,7)
		Requis pour l'installation, pouces	44,4
	B. Largeur	Appareil, pouces (cm)	27,0 (68,6)
		Requis pour l'installation, pouces	29,0
	C. Profondeur	Appareil, pouces (cm)	30,2 (76,8)
		Requis pour l'installation, pouces	35,2
	D. Profondeur avec hublot ouvert à 90°	Appareil, pouces (cm)	50,1 (127,3)
		Requis pour l'installation, pouces	55,1
E. Largeur avec hublot ouvert à 110°	Appareil, pouces (cm)	31,5 (79,8)	
	Requis pour l'installation, pouces	36,5	
Pression de l'eau, psi (kPa)		De 20 à 116 (de 137 à 800)	
Poids NET	Électrique, lb (kg)	126 (57)	
	À gaz, lb (kg)	128 (58)	
Puissance de chauffe	Électrique (W)	5300	
	À gaz (BTU/h)	22000	

Tableau des cycles

REMARQUE

Pour des résultats optimaux, respectez les recommandations de volume de charge pour chaque cycle de séchage.

- Charge importante : Remplissez le tambour aux $\frac{3}{4}$ environ. Au-delà de cette limite, n'ajoutez pas d'articles supplémentaires afin que le linge tourne librement.
- ◐ Charge moyenne : Remplissez le tambour à la moitié environ.
- Petite charge : Remplissez le tambour de 3 à 5 articles (pas plus du $\frac{1}{4}$).

Cycle	Articles recommandés	Volume de charge	Dry Level (Niveau de séchage)
NORMAL	Coton, vêtements de travail, lin, charges mixtes	●	Normal Dry (Séchage normal) (ajustable)
HEAVY DUTY (GRAND RENDEMENT)	Tissus lourds, tels que les jeans, les velours côtelés ou les vêtements de travail lourds	●	Normal Dry (Séchage normal) (ajustable)
PERM PRESS (INFROISSABLES)	Chemises, tissus synthétiques, lainages, tissus infroissables en coton, tissus infroissables	◐	Normal Dry (Séchage normal) (ajustable)
BEDDING (DRAPS)	Objets volumineux, tels que les couvertures, les draps, les couettes, les oreillers	●	Normal Dry (Séchage normal) (ajustable)
DELICATES (DÉLICAT)	Sous-vêtements, chemisiers, lingerie	◐	Normal Dry (Séchage normal) (ajustable)
REFRESH (RAFRAÎCHIR)	Chemises, pantalons, couettes, oreillers	○	-
WRINKLE AWAY (ANTI-FROISSAGE)	Chemises, pantalons, chemisiers	○	-
STEAM SANITIZE (STÉRILISATION VAPEUR)	Draps, rideaux, vêtements d'enfant	◐	Very Dry (Séchage très fort) (Aucun changement)
ACTIVE WEAR (VÊTEMENTS DE SPORT)	Vêtements imperméables, habits de scène, de sport (maximum : 4 lb)	◐	Normal Dry (Séchage normal) (Aucun changement)
TIME DRY (TEMPS DE SÉCHAGE)	Toute charge	●	-
QUICK DRY (SÉCHAGE RAPIDE)	Petites charges	○	-
AIR FLUFF (AIR FROID)	Mousse, caoutchouc, matières plastiques	○	-

Caractéristiques techniques

REMARQUE

- : réglage par défaut, ● : peut être sélectionné

Cycle	Fonctions				
	Contrôle de la température				Time (Temps)
	High (Élevée)	Medium (Moyenne)	Low (Basse)	Extra Low (Très basse)	
NORMAL		●			
HEAVY DUTY (GRAND RENDEMENT)	●				
PERM PRESS (INFROISSABLES)		●			
BEDDING (DRAPS)	●				
DELICATES (DÉLICAT)				●	
REFRESH (RAFRAÎCHIR)	●				
WRINKLE AWAY (ANTI-FROISSAGE)	●				●
STEAM SANITIZE (STÉRILISATION VAPEUR)	●				
ACTIVE WEAR (VÊTEMENTS DE SPORT)		●			
TIME DRY (TEMPS DE SÉCHAGE)	●	●	●	●	●
QUICK DRY (SÉCHAGE RAPIDE)	●				●
AIR FLUFF (AIR FROID)					●

Cycle	Options				
	Eco Dry (Séchage Éco)	Anti Static (Anti-statique)	Wrinkle Prevent (Anti-froissage)	Adjust Time (Réglage du temps)	Mixed Load Bell (Sonnerie charge mixte)
NORMAL	●	●	●		●
HEAVY DUTY (GRAND RENDEMENT)		●	●		●
PERM PRESS (INFROISSABLES)		●	●		●
BEDDING (DRAPS)			●		●
DELICATES (DÉLICAT)		●	●		●
REFRESH (RAFRAÎCHIR)			●		
WRINKLE AWAY (ANTI-FROISSAGE)			●	●	
STEAM SANITIZE (STÉRILISATION VAPEUR)			●		
ACTIVE WEAR (VÊTEMENTS DE SPORT)			●		
TIME DRY (TEMPS DE SÉCHAGE)	●	●	●	●	
QUICK DRY (SÉCHAGE RAPIDE)			●	●	
AIR FLUFF (AIR FROID)			●	●	

Garantie (ÉTATS-UNIS)

SÈCHE-LINGE SAMSUNG

GARANTIE LIMITÉE À L'ACHETEUR INITIAL

Ce produit de la marque SAMSUNG, fourni, distribué par SAMSUNG ELECTRONICS AMERICA, INC. (SAMSUNG) et livré neuf, s'accompagne d'une garantie de SAMSUNG contre tout vice de fabrication au niveau des pièces et de la main d'œuvre pendant une période limitée de :

- Un (1) an (pièces et main d'œuvre)

Cette garantie limitée prend effet à la date originale d'achat. Elle ne s'applique qu'aux produits achetés et utilisés aux États-Unis.

Pour bénéficier de réparations dans le cadre de la présente garantie, l'acheteur doit contacter la société SAMSUNG afin qu'elle détermine l'origine du problème et une procédure de réparation.

Les services de garantie peuvent être pris en charge uniquement par un centre de service agréé SAMSUNG.

Lors de la remise d'un produit défectueux à SAMSUNG ou à un centre de service agréé SAMSUNG, l'acheteur est tenu de présenter le coupon d'achat d'origine à la demande des intéressés à titre de preuve d'achat.

SAMSUNG s'engage à assurer un service de réparation gratuit à domicile pendant la période de garantie. Ce service est soumis à disponibilité sur le territoire des États-Unis.

Le service à domicile n'est pas disponible pour toutes les zones.

Pour bénéficier du service à domicile, l'appareil doit être situé dans un emplacement accessible à notre personnel.

Si ce service n'est pas disponible, SAMSUNG peut choisir de prendre à sa charge le transport aller/retour du produit vers un centre de service agréé.

La société SAMSUNG prendra en charge, à sa convenance, la réparation, le remplacement ou le remboursement du produit tel que stipulé dans les présentes conditions et procédera au remplacement ou au reconditionnement des pièces ou des produits si ces derniers s'avèrent défectueux dans la limite de la période de garantie mentionnée précédemment.

Toutes les pièces et tous les produits remplacés deviennent la propriété de SAMSUNG et doivent être retournés à SAMSUNG.

La période de garantie qui s'applique aux pièces et produits remplacés est la période restante de la garantie initiale ou une période de quatre-vingt-dix (90) jours ; dans tous les cas, la période la plus longue des deux périodes susmentionnées s'applique.

Garantie (ÉTATS-UNIS)

La garantie limitée couvre les vices de fabrication relatifs aux matériaux et à la qualité d'exécution survenus dans le cadre d'une utilisation normale et non commerciale du produit et ne s'applique pas aux causes suivantes, comprenant, mais ne se limitant pas à : tout dommage survenant au cours de l'expédition, de la livraison et de l'installation ; toute utilisation de l'appareil contraire au but auquel il était destiné ; tout numéro de produit ou de série effacé ; tout dommage du revêtement extérieur ou de l'aspect du produit ; tout dommage causé par un accident, une utilisation non conforme, une négligence, un incendie ou une inondation, la foudre ou une autre catastrophe naturelle ; toute utilisation de produits, d'équipements, de systèmes, d'appareils, de services, de pièces, de fournitures, d'accessoires, d'applications, d'installations, de réparations, de câblages externes ou de connecteurs non fournis ou autorisés par SAMSUNG et susceptibles d'endommager ledit appareil ou de nuire à son fonctionnement ; toute surtension, fluctuation ou tension de ligne électrique incorrecte ; tout réglage effectué par l'acheteur et tout non-respect des consignes d'utilisation, d'entretien et de respect de l'environnement couvertes ou prescrites dans le présent carnet d'entretien ; tout démontage ou toute réinstallation de l'appareil ; tout problème résultant d'une prolifération d'insectes nuisibles.

Cette garantie limitée ne couvre pas les problèmes résultant d'un courant, d'une tension ou d'une alimentation électrique incorrects, ainsi que d'ampoules électriques, de fusibles ou de câblage domestiques inappropriés. Elle ne couvre pas non plus le coût des appels au service d'assistance pour obtenir des instructions ou la réparation des erreurs d'installation.

SAMSUNG ne garantit pas que l'appareil sera exempt de tout problème ou qu'il fonctionnera sans interruption.

SAUF EXCEPTION MENTIONNÉE DANS LE PRÉSENT DOCUMENT, SAMSUNG NE FOURNIT AUCUNE GARANTIE EXPRESSE OU IMPLICITE QUANT À CET APPAREIL, Y COMPRIS, MAIS SANS S'Y LIMITER, LES GARANTIES IMPLICITES DE QUALITÉ MARCHANDE, DE CONTREFAÇON OU D'APTITUDE À UN USAGE PARTICULIER.

AUCUNE GARANTIE, QU'ELLE SOIT DONNÉE PAR UN TIERS, UNE ENTREPRISE OU UNE PERSONNE MORALE, NE POURRA ÊTRE CONSIDÉRÉE COMME UN ENGAGEMENT VIS-À-VIS DE SAMSUNG.

SAMSUNG NE SERA AUCUNEMENT RESPONSABLE EN CAS DE PERTE DE BÉNÉFICES, DE MANQUE À GAGNER, D'INCAPACITÉ À RÉALISER DES ÉCONOMIES OU TOUT AUTRE AVANTAGE FINANCIER OU D'AUTRES DOMMAGES SPÉCIAUX, ACCESSOIRES OU INDIRECTS RÉSULTANT DE L'UTILISATION OU D'UNE MAUVAISE UTILISATION DE CET APPAREIL OU D'UNE INCAPACITÉ À UTILISER CET APPAREIL, QUELLE QUE SOIT LA BASE JURIDIQUE INVOQUÉE POUR JUSTIFIER L'ASSERTION ET MÊME SI SAMSUNG A ÉTÉ AVISÉ DE L'ÉVENTUALITÉ DE TELS DOMMAGES.

LES INDEMNITÉS FINANCIÈRES EXIGÉES AUPRÈS DE SAMSUNG NE POURRONT EN AUCUN CAS EXCÉDER LE PRIX D'ACHAT DU PRODUIT VENDU PAR SAMSUNG ET À L'ORIGINE DES DOMMAGES INVOQUÉS.

SANS LIMITATION AUX DISPOSITIONS SUSCITÉES, L'ACHETEUR ASSUME TOUS LES RISQUES ET TOUTES LES RESPONSABILITÉS EN CAS DE PERTE, DE DOMMAGES OU DE BLESSURES ÉVENTUELLES INFLIGÉS À L'ACHETEUR ET AUX BIENS DE CELUI-CI ET À TOUTE AUTRE PERSONNE ET AUX BIENS DE CELLE-CI RÉSULTANT DE L'UTILISATION OU DE LA MAUVAISE UTILISATION DE L'APPAREIL OU DE L'INCAPACITÉ À L'UTILISER.

CETTE GARANTIE LIMITÉE N'EST VALABLE POUR PERSONNE D'AUTRE QUE L'ACHETEUR INITIAL DU PRODUIT, N'EST PAS TRANSFÉRABLE ET ÉNONCE VOTRE RECOURS EXCLUSIF.

Certains états n'autorisent pas les limitations de durée de garantie implicite, ou l'exclusion ou la limitation des dommages accidentels ou indirects. Dans un tel cas, les limitations ou exclusions spécifiées ci-dessus ne s'appliquent pas. La présente garantie vous octroie des droits spécifiques, ainsi que d'autres variant d'un état à un autre.

Pour bénéficier d'un service d'assistance couvert par votre garantie, contactez SAMSUNG à l'adresse suivante :

Samsung Electronics America, Inc.

85 Challenger Road

Ridgefield Park, NJ 07660

1-800-SAMSUNG (726-7864)

www.samsung.com/us/support

Les visites des techniciens de maintenance destinées à expliquer les fonctions, la maintenance ou l'installation n'est pas couverte par la garantie.

Veuillez contacter votre agent d'appel Samsung pour obtenir de l'aide sur l'une de ces questions.

Garantie (CANADA)

SÈCHE-LINGE SAMSUNG

GARANTIE LIMITÉE À L'ACHETEUR INITIAL

Ce produit de la marque SAMSUNG, tel que fourni et distribué par SAMSUNG ELECTRONICS CANADA, INC. (SAMSUNG) et livré neuf, s'accompagne d'une garantie de SAMSUNG contre tout vice de fabrication au niveau des pièces et de la main d'œuvre pendant une période limitée de :

- Un (1) an (pièces et main d'œuvre)

Cette limite de garantie s'applique à compter de la date d'acquisition et couvre uniquement les produits achetés et utilisés au Canada.

Pour bénéficier de réparations dans le cadre de la présente garantie, l'acheteur doit contacter la société SAMSUNG afin qu'elle détermine l'origine du problème et une procédure de réparation.

Les services de garantie peuvent être pris en charge uniquement par un centre de service agréé SAMSUNG.

Lors de la remise d'un produit défectueux à SAMSUNG ou à un centre de service agréé SAMSUNG, l'acheteur est tenu de présenter le coupon d'achat d'origine à la demande des intéressés à titre de preuve d'achat.

SAMSUNG assurera un service de réparation gratuit à domicile pendant la période de garantie sujet à la disponibilité au Canada.

Le service à domicile n'est pas disponible pour toutes les zones.

Pour bénéficier du service à domicile, l'appareil doit être situé dans un emplacement accessible à notre personnel.

Si ce service n'est pas disponible, SAMSUNG peut choisir de prendre à sa charge le transport aller/retour du produit vers un centre de service agréé.

La société SAMSUNG prendra en charge, à sa convenance, la réparation, le remplacement ou le remboursement du produit tel que stipulé dans les présentes conditions et procédera au remplacement ou au reconditionnement des pièces ou des produits si ces derniers s'avèrent défectueux dans la limite de la période de garantie mentionnée précédemment.

Toutes les pièces et tous les produits remplacés deviennent la propriété de SAMSUNG et doivent être retournés à SAMSUNG.

La période de garantie qui s'applique aux pièces et produits remplacés est la période restante de la garantie initiale ou une période de quatre-vingt-dix (90) jours ; dans tous les cas, la période la plus longue des deux périodes susmentionnées s'applique.

La garantie limitée couvre les vices de fabrication relatifs aux matériaux et à la qualité d'exécution survenus dans le cadre d'une utilisation normale et non commerciale du produit et ne s'applique pas aux causes suivantes, comprenant, mais ne se limitant pas à : tout dommage survenant au cours de l'expédition, de la livraison et de l'installation ; toute utilisation de l'appareil contraire au but auquel il était destiné ; tout numéro de produit ou de série effacé ; tout dommage du revêtement extérieur ou de l'aspect du produit ; tout dommage causé par un accident, une utilisation non conforme, une négligence, un incendie ou une inondation, la foudre ou une autre catastrophe naturelle ; toute utilisation de produits, d'équipements, de systèmes, d'appareils, de services, de pièces, de fournitures, d'accessoires, d'applications, d'installations, de réparations, de câblages externes ou de connecteurs non fournis ou autorisés par SAMSUNG et susceptibles d'endommager ledit appareil ou de nuire à son fonctionnement ; toute surtension, fluctuation ou tension de ligne électrique incorrecte ; tout réglage effectué par l'acheteur et tout non-respect des consignes d'utilisation, d'entretien et de respect de l'environnement couvertes ou prescrites dans le présent carnet d'entretien ; tout démontage ou toute réinstallation de l'appareil ; tout problème résultant d'une prolifération d'insectes nuisibles.

Cette garantie limitée ne couvre pas les problèmes résultant d'un courant, d'une tension ou d'une alimentation électrique incorrects, ainsi que d'ampoules électriques, de fusibles ou de câblage domestiques inappropriés. Elle ne couvre pas non plus le coût des appels au service d'assistance pour obtenir des instructions ou la réparation des erreurs d'installation.

SAMSUNG ne garantit pas que l'appareil sera exempt de tout problème ou qu'il fonctionnera sans interruption.

SAUF EXCEPTION MENTIONNÉE DANS LE PRÉSENT DOCUMENT, SAMSUNG NE FOURNIT AUCUNE GARANTIE EXPRESSE OU IMPLICITE QUANT À CET APPAREIL, Y COMPRIS, MAIS SANS S'Y LIMITER, LES GARANTIES IMPLICITES DE QUALITÉ MARCHANDE, DE CONTREFAÇON OU D'APTITUDE À UN USAGE PARTICULIER.

AUCUNE GARANTIE, QU'ELLE SOIT DONNÉE PAR UN TIERS, UNE ENTREPRISE OU UNE PERSONNE MORALE, NE POURRA ÊTRE CONSIDÉRÉE COMME UN ENGAGEMENT VIS-À-VIS DE SAMSUNG.

SAMSUNG NE SERA AUCUNEMENT RESPONSABLE EN CAS DE PERTE DE BÉNÉFICES, DE MANQUE À GAGNER, D'INCAPACITÉ À RÉALISER DES ÉCONOMIES OU TOUT AUTRE AVANTAGE FINANCIER OU D'AUTRES DOMMAGES SPÉCIAUX, ACCESSOIRES OU INDIRECTS RÉSULTANT DE L'UTILISATION OU D'UNE MAUVAISE UTILISATION DE CET APPAREIL OU D'UNE INCAPACITÉ À UTILISER CET APPAREIL, QUELLE QUE SOIT LA BASE JURIDIQUE INVOQUÉE POUR JUSTIFIER L'ASSERTION ET MÊME SI SAMSUNG A ÉTÉ AVISÉ DE L'ÉVENTUALITÉ DE TELS DOMMAGES.

LES INDEMNITÉS FINANCIÈRES EXIGÉES AUPRÈS DE SAMSUNG NE POURRONT EN AUCUN CAS EXCÉDER LE PRIX D'ACHAT DU PRODUIT VENDU PAR SAMSUNG ET À L'ORIGINE DES DOMMAGES INVOQUÉS.

Garantie (CANADA)

SANS LIMITATION AUX DISPOSITIONS SUSDITES, L'ACHETEUR ASSUME TOUS LES RISQUES ET TOUTES LES RESPONSABILITÉS EN CAS DE PERTE, DE DOMMAGES OU DE BLESSURES ÉVENTUELLES INFLIGÉS À L'ACHETEUR ET AUX BIENS DE CELUI-CI ET À TOUTE AUTRE PERSONNE ET AUX BIENS DE CELLE-CI RÉSULTANT DE L'UTILISATION OU DE LA MAUVAISE UTILISATION DE L'APPAREIL OU DE L'INCAPACITÉ À L'UTILISER.

CETTE GARANTIE LIMITÉE N'EST VALABLE POUR PERSONNE D'AUTRE QUE L'ACHETEUR INITIAL DU PRODUIT, N'EST PAS TRANSFÉRABLE ET ÉNONCE VOTRE RECOURS EXCLUSIF.

Certaines provinces n'autorisent pas de limitations quant à la durée des garanties implicites ni l'exclusion ou la limitation de dommages accessoires ou indirects ; il se peut par conséquent que les limitations et exclusions énoncées ci-dessus ne s'appliquent pas à votre cas.

La présente garantie vous octroie des droits spécifiques, ainsi que d'autres variant d'une province à une autre.

Pour bénéficier d'un service d'assistance couvert par votre garantie, contactez SAMSUNG à l'adresse suivante :

Samsung Electronics Canada Inc.

2050 Derry Road West,

Mississauga, Ontario L5N 0B9 Canada

1-800-SAMSUNG (726-7864)

www.samsung.com/ca/support (English)

www.samsung.com/ca_fr/support (French)

Les visites des techniciens de maintenance destinées à expliquer les fonctions, la maintenance ou l'installation n'est pas couverte par la garantie.

Veuillez contacter votre agent d'appel Samsung pour obtenir de l'aide sur l'une de ces questions.

Mémo



Scan the QR code* or visit
www.samsung.com/spsn
to view our helpful
How-to Videos and Live Shows

*Requires reader to be installed on your smartphone

Scan this with your smartphone

DES QUESTIONS OU DES COMMENTAIRES ?

PAYS	APPELEZ LE	OU RENDEZ-VOUS SUR LE SITE
U.S.A	1-800-SAMSUNG (726-7864) 1-844-SAM-PAYS (726-7297)	www.samsung.com/us/support
CANADA	1-800-SAMSUNG(726-7864)	www.samsung.com/ca/support (English) www.samsung.com/ca_fr/support (French)



DC68-03170X-00



Secadora

Manual del usuario

DVE(G)52M8650*

SAMSUNG

Contenido

Información sobre seguridad	4
Lo que necesita saber sobre las instrucciones de seguridad	4
Símbolos de seguridad importantes	4
Precauciones de seguridad importantes	5
Advertencias	7
Precauciones	8
Requisitos de instalación	10
Requisitos de instalación importantes	10
Consideraciones acerca de la ubicación	10
Requisitos para el tendido de conductos	11
Requisitos de drenaje	12
Requisitos en cuanto al gas	13
Requisitos eléctricos	14
Instalación	16
Componentes	16
Instalación paso a paso	18
Prueba de bloqueo de la ventilación	24
Guía de los conductos de drenaje	26
Cambiar la posición de la puerta	26
Antes de comenzar	29
Clasificación y carga	29
Requisito de funcionamiento	29
Funcionamiento	30
Panel de funciones	30
Sencillos pasos para comenzar	33
Descripción de los ciclos	34
Guía de secado	36
Funciones especiales	37

Mantenimiento	39
Limpieza	39
Solución de problemas	40
Verificaciones	40
Códigos de información	43
Especificaciones	44
Tabla de indicaciones sobre telas	44
Protección del medio ambiente	45
Hoja de especificaciones	46
Tabla de ciclos	47

Información sobre seguridad

Felicitaciones por la compra de la nueva secadora Samsung. Este manual contiene información importante acerca de la instalación, el uso y el cuidado del electrodoméstico. Lea detenidamente estas instrucciones a fin de aprovechar al máximo los múltiples beneficios y funciones de la secadora.

Lo que necesita saber sobre las instrucciones de seguridad

Lea este manual detenidamente para aprender a utilizar con seguridad y eficacia todas las características y funciones de su nuevo electrodoméstico. Conserve el manual en un lugar seguro cerca del electrodoméstico para consultas futuras. Utilice este electrodoméstico solo para el propósito para el que fue destinado como se describe en este manual.

Las advertencias y las instrucciones de seguridad importantes de este manual no cubren todas las posibles condiciones y situaciones que pueden ocurrir. Es su responsabilidad actuar con sentido común, precaución y cuidado cuando instale, realice el mantenimiento y ponga en funcionamiento la secadora. Puesto que las siguientes instrucciones de funcionamiento sirven para varios modelos, las características de su secadora pueden diferir ligeramente de las que se describen en este manual y es posible que no todas las señales de advertencia sean aplicables. Si tiene alguna consulta o duda, comuníquese con el centro de servicio más cercano o busque ayuda e información en línea en www.samsung.com.

Símbolos de seguridad importantes

Los iconos y las señales incluidas en este manual del usuario significan lo siguiente:

ADVERTENCIA

Peligros o prácticas inseguras que podrían causar lesiones físicas graves o la muerte y/o daños materiales.

PRECAUCIÓN

Peligros o prácticas inseguras que podrían causar lesiones físicas y/o daños materiales.

NOTA

Indica que existe el riesgo de lesiones físicas o daños materiales.

Estas señales de advertencia tienen por objeto evitar que usted u otras personas sufran lesiones.

Siga las instrucciones completamente.

Después de leer este manual, guárdelo en un lugar seguro para consultas futuras.

Lea todas las instrucciones antes de usar el electrodoméstico.

Al igual que con cualquier equipo que usa electricidad y piezas movibles, existen riesgos potenciales. Para usar este electrodoméstico en forma segura, familiarícese con su funcionamiento y manéjelo con cuidado cuando lo use.

CONSERVE ESTAS INSTRUCCIONES

⚠ ADVERTENCIA - Electrodomésticos a gas:

- Advertencia sobre la State of California Proposition 65 (solo EE.UU.)
Este producto contiene productos químicos reconocidos en el estado de California como capaces de provocar cáncer y defectos de nacimiento u otras afecciones reproductivas.
- Los electrodomésticos a gas pueden provocar una ligera exposición a alguna de las sustancias de la lista de la disposición 65, incluidos, entre otros, benceno, monóxido de carbono, formaldehído y hollín, causada por la posible combustión incompleta de gas natural o combustibles PL.

⚠ ADVERTENCIA - Riesgo de incendio

- La instalación de la secadora de ropa debe estar a cargo de un instalador calificado.
- Instale la secadora de ropa según las instrucciones del fabricante y los códigos locales.
- No instale una secadora de ropa con materiales para ventilación de plástico flexible. Si se instala un conducto de metal flexible (tipo lámina metálica), debe ser de un tipo específico identificado por el fabricante del electrodoméstico como adecuado para utilizar con secadoras de ropa. Los materiales para ventilación flexibles suelen hundirse, aplastarse fácilmente y atrapar pelusa. Estas condiciones obstruirán el flujo de aire de la secadora de ropa y aumentarán el riesgo de incendio.
- Para reducir el riesgo de lesiones graves o muerte, siga todas las instrucciones de instalación.
- Guarde estas instrucciones.

Precauciones de seguridad importantes

⚠ ADVERTENCIA

Para reducir el riesgo de incendio, descarga eléctrica o lesiones físicas cuando usa este electrodoméstico, siga las instrucciones de seguridad básicas que figuran a continuación:

1. Lea todas las instrucciones antes de usar este electrodoméstico.
2. No seque prendas que han sido previamente limpiadas, lavadas, remojadas o salpicadas con gasolina, solventes de limpieza en seco u otras sustancias inflamables o explosivas, ya que emiten vapores que pueden incendiarse o explotar.
3. No utilice la secadora para secar ropa que tenga restos de sustancias inflamables, como aceites vegetales, de cocción o de máquina, productos químicos inflamables, disolventes de pinturas, etc., o que contengan cera o productos químicos, como trapeadores y paños de limpieza. Las sustancias inflamables pueden ocasionar que la tela se incendie.
4. No almacene ni utilice gasolina u otros vapores o líquidos inflamables cerca de este o cualquier otro aparato eléctrico.

CONSERVE ESTAS INSTRUCCIONES

Información sobre seguridad

5. No permita que los niños jueguen sobre el electrodoméstico ni dentro de él. Se requiere de supervisión cuando el electrodoméstico es utilizado cerca de los niños.
6. Antes de descartar el electrodoméstico o de retirarlo de servicio, extraiga la puerta del compartimiento de secado.
7. No introduzca la mano en el electrodoméstico si el tambor está en movimiento.
8. No instale ni almacene este electrodoméstico donde quede expuesto a los factores climáticos.
9. No modifique los controles internos.
10. No repare, reemplace ni intente realizar el mantenimiento de cualquier pieza del electrodoméstico salvo que esté recomendado específicamente en las instrucciones de mantenimiento del usuario o en las instrucciones de reparación para el usuario publicadas y que, a su juicio, usted tenga la habilidad para llevarlas a cabo.
11. No utilice suavizante de telas o productos para eliminar la estática a menos que el fabricante del suavizante o del producto lo recomiende.
12. Limpie el filtro para pelusas antes o después de cada carga.
13. No aplique calor para secar prendas que contengan goma espuma o materiales semejantes a la goma con textura similar.
14. Mantenga el área alrededor de la salida del drenaje y las áreas adyacentes libres de la acumulación de pelusa, polvo y suciedad.
15. El personal técnico calificado debe efectuar una limpieza periódica del interior del electrodoméstico y del conducto de drenaje.
16. No coloque elementos expuestos a aceites de cocina en la secadora. Los elementos contaminados con aceites de cocina pueden contribuir a que se produzca una reacción química que ocasione que la carga de ropa se incendie.
17. Este electrodoméstico debe conectarse a tierra. Consulte “Requisitos eléctricos” y “Conexión a tierra” en la sección “Instalación”.
18. No permita que los niños jueguen sobre el electrodoméstico ni dentro de él. Se requiere de supervisión cuando el electrodoméstico es utilizado cerca de los niños.
19. No introduzca las manos bajo la secadora.
 - Puede provocar lesiones personales.
20. Al cerrar la puerta tenga cuidado de no atrapar los dedos de los niños.
 - Puede provocar lesiones personales.
21. El panel de control y la válvula de entrada no están conectados a tierra intencionalmente y pueden presentar riesgo de descarga eléctrica únicamente durante el servicio técnico.
 - No toque estas partes mientras el electrodoméstico está recibiendo electricidad.

CONSERVE ESTAS INSTRUCCIONES

⚠️ ADVERTENCIA - Para reducir el riesgo de incendio o explosión:

- No seque prendas que hayan sido previamente limpiadas, lavadas, remojadas o salpicadas con gasolina, solventes de limpieza en seco u otras sustancias inflamables o explosivas. Emiten vapores que pueden incendiarse o explotar. No se debe colocar en la secadora ningún material que haya estado en contacto con un solvente de limpieza o con líquidos o sólidos inflamables hasta que se haya eliminado todo vestigio de tales líquidos o sólidos inflamables y sus vapores. Existen muchos artículos altamente inflamables en los hogares, tales como acetona, alcohol desnaturalizado, gasolina, kerosene, algunos limpiadores líquidos de uso doméstico, algunos quitamanchas, aguarrás, ceras y removedores de cera.
- No se deben secar artículos que contengan goma espuma (puede estar catalogada como espuma de látex) o materiales semejantes a la goma y con textura similar en la opción de secado con calor. Los materiales de goma espuma que reciben calor pueden, en ciertas circunstancias, encenderse en forma espontánea.

⚠️ ADVERTENCIA - Qué hacer si percibe olor a gas:

- No intente encender ningún electrodoméstico.
- No encienda el electrodoméstico.
- No toque ningún interruptor eléctrico.
- No utilice ningún teléfono de su edificio.
- Haga que todos los ocupantes se retiren del cuarto, edificio o área.
- Comuníquese inmediatamente con el proveedor de gas desde el teléfono de un vecino. Siga las instrucciones del proveedor de gas.
- Si no se puede comunicar con el proveedor de gas, llame al departamento de bomberos.
- La instalación y el servicio técnico deberán estar a cargo de un instalador calificado, una agencia de reparaciones o el proveedor de gas.

Advertencias

⚠️ ADVERTENCIA

- Asegúrese de que los bolsillos no contengan objetos pequeños, sólidos y de forma irregular, material extraño, etc., por ejemplo: monedas, cuchillos, alfileres, etc. Tales objetos podrían dañar la secadora.
- Se pueden producir pérdidas de gas en su sistema que generen una situación peligrosa.

CONSERVE ESTAS INSTRUCCIONES

Información sobre seguridad

Precauciones

PRECAUCIÓN

- No permita que los niños o las mascotas jueguen sobre el electrodoméstico, dentro de él o frente a él. Se requiere de supervisión cuando el electrodoméstico es utilizado cerca de niños y mascotas.
- Antes de eliminar la secadora o de retirarla de servicio, quite la puerta del compartimento de secado para evitar que los niños o las mascotas queden atrapados dentro de la secadora.
- No introduzca la mano en el electrodoméstico cuando el tambor está en movimiento.
- No instale ni almacene este electrodoméstico donde quede expuesto a los factores climáticos.
- No modifique los controles.
- No repare ni reemplace ni intente realizar el mantenimiento de ninguna pieza del electrodoméstico salvo que esté indicado específicamente en las instrucciones de reparación para el usuario y que comprenda y tenga la habilidad para llevar a cabo el procedimiento.
- No utilice suavizante de telas o productos para eliminar la estática a menos que el suavizante o producto esté recomendado para uso con la secadora por el fabricante del mismo.
- Limpie el filtro para pelusas antes o después de cada carga.
- Mantenga el área alrededor de la salida del drenaje y las áreas circundantes libres de pelusa, polvo y suciedad.
- El personal técnico calificado debe efectuar una limpieza periódica del interior de la secadora y del conducto de drenaje.
- Este electrodoméstico debe conectarse a tierra correctamente. Nunca enchufe el cable de alimentación a un receptáculo que no esté conectado a tierra correctamente y que no guarde conformidad con los códigos locales y nacionales. Consulte las instrucciones de instalación para obtener información sobre cómo conectar este electrodoméstico a tierra.
- No se siente encima de la secadora.
- No seque ropa que contenga hebillas grandes, botones u otros objetos de metal pesado o sólido.
- Las pérdidas de gas pueden no ser detectadas únicamente por el olor.
- Los proveedores de gas recomiendan que compre e instale un detector de gas aprobado por UL.
- Instale y utilice de acuerdo con las instrucciones del fabricante.
- No coloque prendas en la secadora que hayan sido salpicadas o remojadas con aceite vegetal o aceite de cocina. Incluso después del lavado, estas prendas pueden contener una cantidad importante de dichos aceites.

CONSERVE ESTAS INSTRUCCIONES

- El aceite residual en las prendas puede incendiarse en forma espontánea. La posibilidad de combustión espontánea aumenta cuando las prendas que contienen aceite vegetal o aceite de cocina son expuestas al calor. Las fuentes de calor, tales como la secadora, pueden calentar estas prendas y permitir que se produzca la oxidación del aceite a modo de reacción. La oxidación genera calor. Si dicho calor no tiene forma de salir, las prendas pueden calentarse lo suficiente como para incendiarse. Amontonar, apilar o guardar este tipo de prendas puede impedir que el calor escape y puede generar un peligro de incendio.
- Todas las prendas limpias y sucias que contengan aceite vegetal o aceite de cocina pueden resultar peligrosas.

Lavar dichas prendas en agua caliente con una dosis adicional de detergente reducirá el peligro, aunque no lo eliminará. Siempre use el ciclo de enfriamiento para estas prendas a fin de reducir la temperatura. Nunca retire estas prendas cuando la secadora esté caliente ni interrumpa el ciclo de secado hasta que las prendas hayan pasado por el ciclo de enfriamiento. Nunca amontone o apile estas prendas cuando estén calientes.

CONSERVE ESTAS INSTRUCCIONES

Requisitos de instalación

Lea atentamente las siguientes instrucciones antes de instalar la secadora y conserve este manual para futuras consultas.

ADVERTENCIA

El panel de control y la válvula de entrada no están conectados a tierra intencionalmente y pueden presentar riesgo de descarga eléctrica únicamente durante el servicio técnico.

Personal del servicio técnico - No toque estas piezas mientras el electrodoméstico está recibiendo electricidad.

Requisitos de instalación importantes

- Un tomacorriente con conexión a tierra.
- Un cable de alimentación para las secadoras eléctricas (excepto en Canadá).
- Conductos de gas (para modelos a gas) que deben cumplir con la normativa local y nacional.
- Un sistema de drenaje de metal rígido o flexible con un recubrimiento de metal resistente.

ADVERTENCIA

Retire la puerta de todos los electrodomésticos desechados para evitar que un niño se asfixie.

Consideraciones acerca de la ubicación

- Espacios libres suficientes entre la secadora y las paredes adyacentes u otras superficies.
- Circulación de aire adecuada para la ventilación y combustión de gas.
- Alejada del agua y los factores climáticos.

ADVERTENCIA

- Asegúrese de que la secadora drene afuera a fin de reducir el riesgo de incendio.
- Mantenga el área de la secadora libre de materiales combustibles, gasolina y otros vapores y líquidos inflamables.
- No instale otros electrodomésticos que quemem combustible cerca o en el mismo lugar que la secadora.

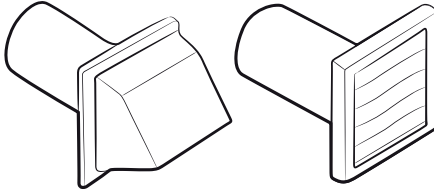
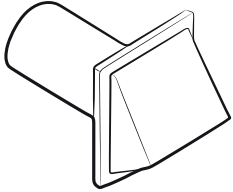
2" en el frente, 17" en la parte superior, 1" a ambos lados y 5" en la parte posterior.

El frente del gabinete debe contar con dos aberturas sin obstrucciones para que ingrese el aire, para ocupar un área total combinada mínima de 72 in², con 3" de abertura mínima en la parte superior y en la parte inferior. Se acepta una puerta tipo persiana con un espacio libre equivalente.

Instalación en un gabinete o en un hueco

Los espacios libres mínimos entre la secadora y las paredes adyacentes u otras superficies deben tener las siguientes dimensiones:

Requisitos para el tendido de conductos

	Recomendado		Utilice solo para instalación de distancia corta	
Tipo tapa para intemperie	 4" (10.2 cm)		 2.5" (6.4 cm)	
N.º de codos de 90°	Rígido	Metálico flexible*	Rígido	Metálico flexible*
0	80 pies (24.4 m)	41 pies (12.4 m)	74 pies (22.6 m)	33 pies (10.1 m)
1	68 pies (20.7 m)	37 pies (11.2 m)	62 pies (18.9 m)	29 pies (8.8 m)
2	57 pies (17.4 m)	33 pies (10.1 m)	51 pies (15.5 m)	25 pies (7.6 m)
3	47 pies (14.3 m)	29 pies (8.8 m)	41 pies (12.5 m)	21 pies (6.5 m)

NOTA

* Utilice un conducto de acero galvanizado o de aluminio, de 4 pulgadas (10.2 cm) de diámetro.

Si integrará el sistema de ventilación de la secadora con un sistema de drenaje existente:

- Asegúrese de que el sistema de drenaje cumpla con todas las normativas locales, estatales y nacionales.
- Verifique que no esté usando un conducto flexible de plástico.
- Asegúrese de controlar y eliminar toda la pelusa acumulada del interior de los conductos existentes.
- Confirme que el conducto no está enroscado o aplastado.
- Asegúrese de que el regulador de tiro de la tapa del drenaje se abra y se cierre sin inconvenientes.

Mediciones del manómetro

La presión estática de cualquier sistema de drenaje no debe superar las 0.83 pulgadas de la columna de agua ni ser inferior a 0. Tenga en cuenta que estos valores se miden con la secadora en funcionamiento con un manómetro en el conducto que conecta al drenaje de la secadora. El tambor de la secadora debe estar vacío y el filtro para pelusas limpio.

Requisitos de instalación

Requisitos de drenaje

La secadora no debe drenarse hacia una chimenea, pared, techo, altillo, sótano de pequeña altura o espacio oculto de un edificio. Si la secadora tiene un drenaje con salida hacia el exterior se evitará que ingrese una gran cantidad de pelusa y humedad a la habitación.

En Estados Unidos y Canadá

- Todas las secadoras deben tener un drenaje con salida hacia el exterior.
- El conducto de drenaje requerido tiene 4 pulgadas (10.2 cm) de diámetro.
- Consulte “Requisitos para el tendido de conductos” en la sección “Instalación” para conocer la longitud máxima del conducto y el número de codos que pueden utilizarse.
- La longitud total del conducto flexible metálico no debe superar los 7' 10½" (2.4 m).
- No fije el conducto con tornillos u otros medios de sujeción que se extiendan dentro del conducto y atrapen pelusa.
- **Únicamente para Estados Unidos:** Utilice solo los conductos flexibles tipo lámina metálica, si los hubiera, identificados específicamente para su utilización con el electrodoméstico por el fabricante y que cumplan con el Esquema para conductos de transición de secadora de ropa. Use el Tema 2158A.

Fuera de Estados Unidos y Canadá

- Remítase a los códigos locales.

ADVERTENCIA

- Debe colocar en la secadora un drenaje con salida hacia el exterior para reducir el riesgo de incendio cuando instala la secadora en un gabinete o en un hueco.
- No utilice conductos flexibles de plástico o de un material que no sea el metal.
- Si su red de conductos existente es de plástico, de un material no metálico o que sea inflamable, reemplácela por una que sea de metal.
- Utilice únicamente un conducto de drenaje de metal que no sea inflamable para asegurar la contención del aire expulsado, el calor y la pelusa.

Requisitos en cuanto al gas

ADVERTENCIA

- Utilice únicamente gas natural o gas LP (gas licuado de propano).
- LA INSTALACIÓN DEBE REALIZARSE DE CONFORMIDAD CON LOS CÓDIGOS LOCALES O, EN AUSENCIA DE ELLOS, CON EL CÓDIGO NACIONAL PARA GAS Y COMBUSTIBLES ANSI/Z223.1, LA REVISIÓN MÁS RECIENTE (PARA ESTADOS UNIDOS) O CON LOS CÓDIGOS DE INSTALACIÓN CAN/CGA-B149 (PARA CANADÁ).
- Las secadoras a gas están equipadas con un orificio para el quemador de modo que puedan ser utilizadas con gas natural. Si tiene pensado utilizar su secadora con gas LP (gas licuado de propano), deberá efectuarse la conversión para lograr un funcionamiento adecuado y seguro, tarea que deberá estar a cargo de un técnico calificado.
- Se recomienda usar un conducto de suministro de gas de $\frac{1}{2}$ " (1.27 cm) y el mismo debe reducirse para la conexión con el conducto de gas de $\frac{3}{8}$ " (1 cm) de su secadora. El Código Nacional para Gas y Combustibles exige que se instale una válvula manual de cierre del gas, aprobada y de fácil acceso, dentro de las 6" de distancia de la secadora.
- Las secadoras a gas instaladas en garajes residenciales deben estar elevadas a 18 pulgadas (46 cm) del piso.
- Además, se debe instalar una conexión roscada macho N.P.T. (rosca nacional para tubos) de $\frac{1}{8}$ " (0.3 cm), accesible para la conexión del medidor de prueba, inmediatamente contra corriente de la conexión del suministro de gas de la secadora.
- Su secadora debe estar desconectada del sistema de suministro de gas durante las pruebas de presión del sistema.

- No vuelva a utilizar los viejos conductos de gas de metal flexible. El diseño del conducto de gas flexible debe estar certificado por la Asociación Americana del Gas (CGA en Canadá).

NOTA

- La secadora utiliza un sistema de encendido automático para encender el quemador. No existe un piloto que permanezca constantemente encendido.
- Todo compuesto de unión de tuberías utilizado debe ser resistente a la acción del gas licuado de petróleo.
- A modo de cortesía, la mayoría de las empresas locales de gas inspeccionarán la instalación del artefacto a gas.

Instrucciones de instalación de la comunidad de Massachusetts

La instalación de la secadora deberá estar a cargo de un plomero o un instalador de gas calificado. Se deberá instalar una válvula de gas manual con una manija en forma de "T" en el conducto de suministro de gas de la secadora. Si se utiliza un conector de gas flexible para instalar la secadora, el conector debe tener una longitud máxima de 3' (36").

ADVERTENCIA

- Se pueden producir pérdidas de gas en su sistema y ocasionar una situación peligrosa.
- Las pérdidas de gas pueden no ser detectadas únicamente por el olor.
- Los proveedores de gas recomiendan que compre e instale un detector de gas aprobado por UL.
- Instale y utilice de acuerdo con las instrucciones del fabricante.

Requisitos de instalación

Requisitos eléctricos

El diagrama del cableado se encuentra en la placa debajo del panel de control o en el armazón posterior.

ADVERTENCIA

- La conexión inadecuada del conductor de conexión a tierra del equipo puede generar el riesgo de descarga eléctrica. Consulte a un electricista o técnico calificado si le surgen dudas acerca de si la conexión a tierra de su secadora es correcta. No modifique el enchufe provisto con la secadora; si no entra en el tomacorriente, solicite a un electricista calificado que instale el tomacorriente adecuado.
- Para evitar el riesgo innecesario de incendio, descarga eléctrica o lesiones físicas, todo el cableado y la conexión a tierra deben realizarse de conformidad con los códigos locales o, en ausencia de ellos, de conformidad con el Código Eléctrico Nacional, ANSI/NFPA Nro. 70, su última revisión (para EE.UU.) o el Código Eléctrico Canadiense CSA C22.1, sus últimas revisiones y los códigos y ordenanzas locales. Es su responsabilidad proveer el servicio eléctrico adecuado para su secadora.
- Todas las instalaciones de gas deberán realizarse de conformidad con el Código Nacional para Combustibles ANSI/Z2231, su última revisión (para EE.UU.) o con los Códigos de Instalación CAN/CGA - B149, su última revisión (para Canadá) y los códigos y ordenanzas locales.

Conexión a tierra

Esta secadora debe conectarse a tierra. En caso de que el electrodoméstico funcione mal o se descomponga, la conexión a tierra reducirá el riesgo de descarga eléctrica al ofrecer una vía de menor resistencia a la corriente eléctrica.

Modelos a gas

ADVERTENCIA

- Su secadora tiene un cable con un conductor de conexión a tierra del equipo y un enchufe de conexión a tierra. El enchufe debe conectarse a un tomacorriente adecuado que esté correctamente instalado y conectado a tierra en conformidad con todos los códigos y ordenanzas locales.
- No modifique el enchufe provisto con la secadora; si no entra en el tomacorriente, solicite a un electricista calificado que instale el tomacorriente adecuado.
- No conecte el cable a tierra a las tuberías de plástico, las tuberías de gas o a las cañerías de agua caliente.

Modelos eléctricos

ADVERTENCIA

- Su secadora tiene un cable opcional con un conductor de conexión a tierra del equipo y un enchufe de conexión a tierra. El cable se vende por separado.
- El enchufe debe conectarse a un tomacorriente adecuado que esté correctamente instalado y conectado a tierra en conformidad con todos los códigos y ordenanzas locales.
- No modifique el enchufe provisto con la secadora; si no entra en el tomacorriente, solicite a un electricista calificado que instale el tomacorriente adecuado.

- Si no se utiliza un cable de alimentación y la secadora eléctrica debe estar permanentemente conectada, se la debe conectar a un sistema de cableado de metal con conexión a tierra permanente, o se debe conectar un conductor con conexión a tierra del equipo a los conductores del circuito y a la terminal con conexión a tierra del equipo o al cable de la secadora.

Conexiones eléctricas

Antes de poner el electrodoméstico en funcionamiento o realizar pruebas, siga las instrucciones de conexión a tierra de la sección “Conexión a tierra”. Se recomienda que se destine un circuito derivado individual (o separado) solo para la secadora.

No utilice un cable prolongador.

Modelos a gas – EE.UU. y Canadá

Se requiere un servicio eléctrico aprobado de CA de 120 voltios, 60 Hz, con un fusible o interruptor de 15 A.

Modelos eléctricos – Solo EE.UU.

La mayoría de las secadoras estadounidenses requieren un servicio eléctrico aprobado de CA de 120 / 240 voltios, 60 Hz. Algunas requieren un servicio eléctrico aprobado de 120 / 208 voltios, 60 Hz. Los requisitos del servicio eléctrico pueden encontrarse en la etiqueta con información ubicada detrás de la puerta. Se requiere un fusible o interruptor de 30 A a ambos lados del conducto.

- Si se utiliza un cable de alimentación, el cable debe enchufarse a un tomacorriente de 30 A.
- No se provee el cable de alimentación con los modelos eléctricos de secadoras estadounidenses. El cable se vende por separado.

ADVERTENCIA

Riesgo de descarga eléctrica

Si lo permiten los códigos locales, se puede conectar el suministro eléctrico de la secadora por medio de un nuevo kit de cable de alimentación eléctrica, rotulado para que se lo utilice con la secadora, es decir que cuente con certificación U.L. y categorizado en un mínimo de 120 / 240 voltios, 30 amperes con tres conductores de cobre Nro. 10 que finalicen en terminales de bucle cerrado, pernos de pala de tipo abierto con extremos rebatidos o con conductores de estaño.

- No vuelva a utilizar un cable de alimentación eléctrica de una secadora vieja. El cable de alimentación eléctrica debe asegurarse en el gabinete de la secadora con una protección contra los tirones adecuada con certificación UL.
- La conexión a tierra a través del conductor neutro está prohibida para (1) instalaciones nuevas con circuito derivado, (2) casas rodantes, (3) vehículos de recreo y (4) áreas en las que los códigos locales prohíban la conexión a tierra a través de un conductor neutro. (Utilice un enchufe de 4 pines para un tomacorriente de 4 ranuras, tipo NEMA 14-30R.)

Modelos eléctricos – Solo Canadá

- Se requiere un servicio eléctrico aprobado de CA de 120 / 240 voltios, 60 Hz, equipado con un fusible o interruptor de 30 A a ambos lados del conducto.
- Todos los modelos canadienses se envían con el cable de alimentación adjunto. El cable de alimentación debe conectarse a un tomacorriente de 30 A.

NOTA

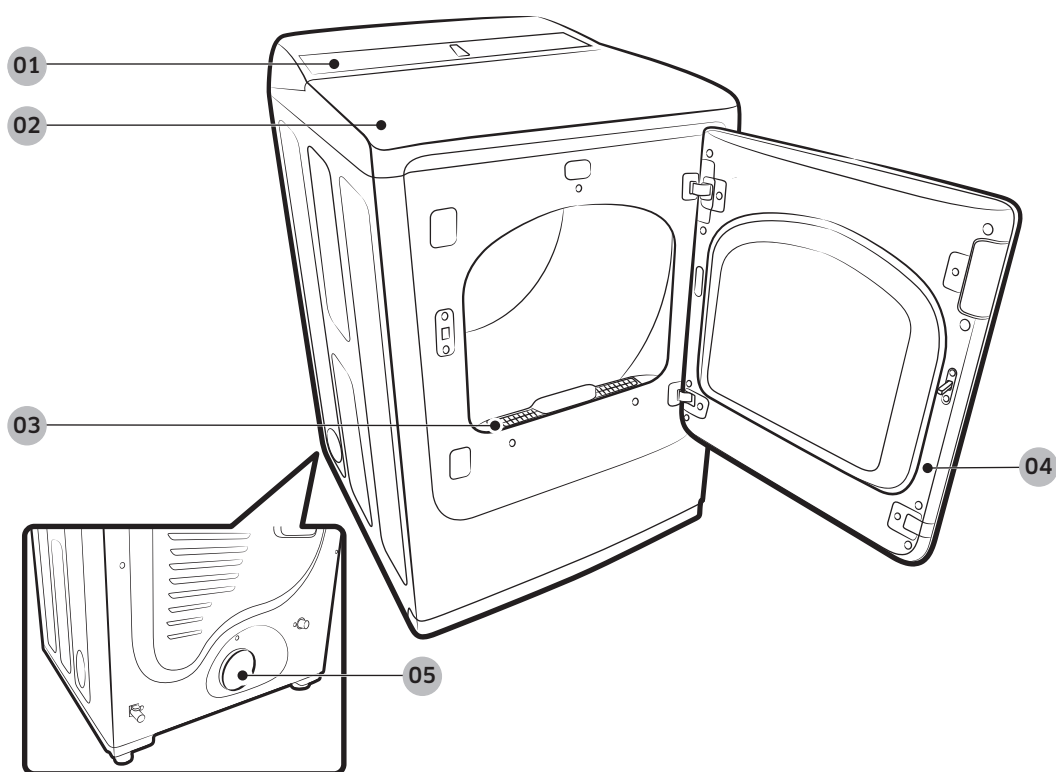
En Canadá no está permitido convertir una secadora a 208 voltios.

Instalación

La instalación de la secadora debe estar a cargo de un técnico calificado. El instalador será responsable de conectar la secadora a la fuente de alimentación principal y a la vez de cumplir con las normas de seguridad correspondientes de su zona.

Componentes

Asegúrese de que todos los componentes estén incluidos en el paquete. Si tiene algún problema con la secadora o los accesorios, comuníquese con un centro de servicios Samsung o con el vendedor.



Vista rápida de la secadora

01 Panel de control

02 Cubierta

03 Filtro

04 Puerta

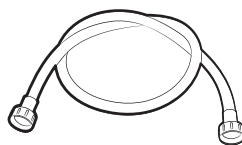
05 Conducto de drenaje

Accesorios y herramientas (únicamente para los modelos aplicables)

Accesorios



Conector en forma de "Y"



Manguera de agua
(únicamente modelos
canadienses)

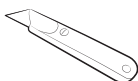


Manguera de agua corta

Herramientas necesarias



Pinza



Cúter



Llave inglesa para
tuberías (solo para
modelos a gas)



Llave para tuercas



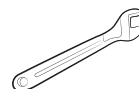
Nivel



Destornillador Philips



Cinta para conductos



Llave inglesa

ADVERTENCIA

Los materiales de empaque pueden ser peligrosos para los niños. Mantenga todos los materiales de empaque (bolsas de plástico, poliestireno, etc.) lejos del alcance de los niños.



Instalación

Instalación paso a paso

Asegúrese de que un técnico calificado instale la secadora. A continuación aparecen unas instrucciones paso a paso de la instalación.

PASO 1 Instale el sistema de drenaje

1. Seleccione un lugar y coloque allí la secadora. Para facilitar el acceso, le recomendamos que instale la secadora en la misma ubicación que la lavadora.
2. Para modificar la dirección de la puerta, consulte “Cambiar la posición de la puerta”.
3. Instale el sistema de drenaje como se indica en la sección “Guía de los conductos de drenaje”.

NOTA

- Para mover la secadora con facilidad, coloque dos de las protecciones de cartón del empaque en el piso. Incline la secadora hacia uno de los laterales, de modo tal que quede apoyada sobre ambas protecciones. Empuje la secadora hasta que se encuentre cerca de su ubicación final y colóquela en posición vertical.
- Asegúrese de que haya espacio suficiente alrededor de la secadora para facilitar la instalación de conductos y el cableado.

PASO 2 Conecte el suministro de gas

Primero, lea la sección “Requisitos en cuanto al gas” y realice los siguientes pasos.

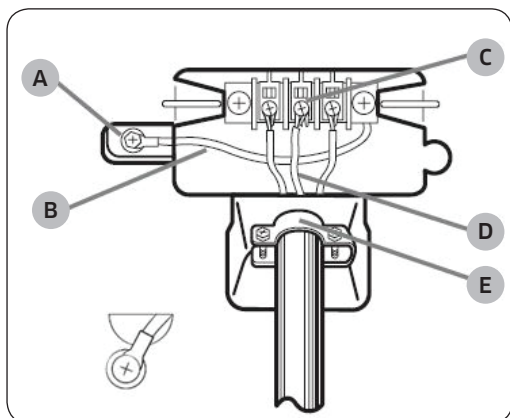
1. Retire la tapa protectora del tubo de gas.
2. Aplique un compuesto GLP (Gas licuado de petróleo) o 1.5 vueltas de cinta de teflón en todas las conexiones roscadas.
3. Conecte el suministro de gas a la secadora. Se requiere un accesorio adicional para conectar el extremo de la rosca hembra de $\frac{3}{4}$ " (1.9 cm) de un conector flexible al extremo de la rosca macho de $\frac{3}{8}$ " (1 cm) de la secadora. Ajuste los accesorios que cubren todas las roscas.
4. Abra el suministro de gas y verifique que no haya pérdidas con una solución jabonosa. Si encuentra alguna pérdida, ajuste las conexiones e inténtelo nuevamente. **NO** use una llama abierta para verificar si hay pérdidas de gas.



PASO 3 Conecte el cableado eléctrico

Primero, lea la sección “Requisitos eléctricos” y luego realice los siguientes pasos.

Sistema de 3 cables



- A. Conector a tierra externo
- B. Cable a tierra neutro (blanco)
- C. Tornillo central de color plateado del bloque de terminales
- D. Cable neutro (cable blanco o central)
- E. Dispositivo de alivio de tensión con certificación UL de $\frac{3}{4}$ " (1.9 cm)

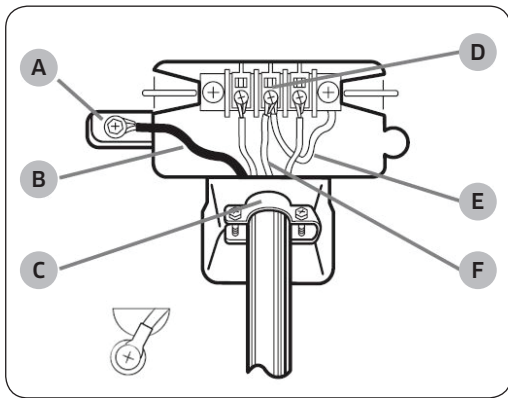
1. Afloje o retire el bloque central de terminales.
2. Conecte el cable neutro (cable blanco o central) del cable de alimentación a la terminal de tornillo central de color plateado del bloque de terminales. Ajuste los tornillos.
3. Conecte los demás cables a los tornillos externos del bloque de terminales. Ajuste los tornillos.
4. Ajuste los tornillos de alivio de tensión.
5. Inserte la cubierta del bloque de terminales en el panel trasero de la secadora. Luego, asegure la cubierta con un tornillo de sujeción.

PRECAUCIÓN

- Para realizar la conversión del sistema de 4 cables a 3 cables, conecte la cinta de conexión a tierra al soporte del bloque de terminales para conectar a tierra el armazón de la secadora al conductor neutro.
- Se recomienda utilizar terminales de tipo anillo. Si utiliza terminales de correa, asegúrese de que estén ajustados.

Instalación

Sistema de 4 cables



- A. Conector a tierra externo
- B. Cable verde o de cobre desnudo del cable de alimentación
- C. Dispositivo de alivio de tensión con certificación UL de $\frac{3}{4}$ " (1.9 cm)
- D. Tornillo central de color plateado del bloque de terminales
- E. Cable a tierra neutro (blanco)
- F. Cable neutro (cable blanco o central)

1. Retire el tornillo del conector externo a tierra y conecte el cable de conexión a tierra (verde o sin cubierta) del cable de alimentación al tornillo.

⚠ PRECAUCIÓN

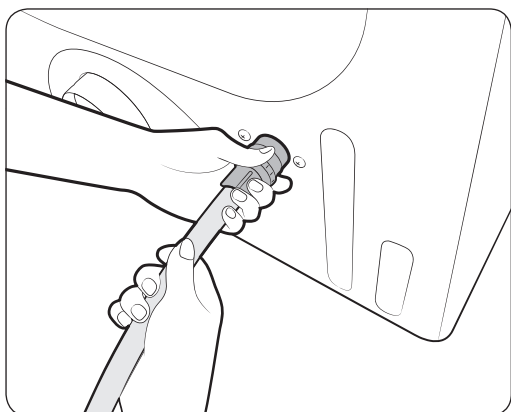
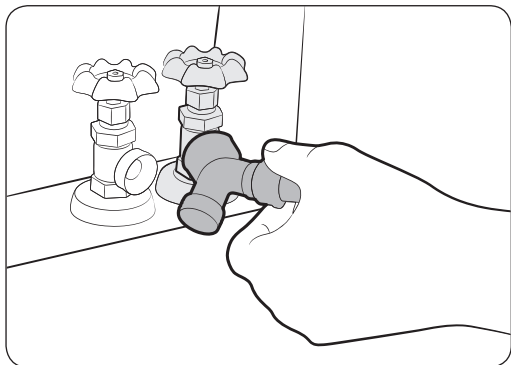
- Para conectar el cable de conexión a tierra a la posición neutra sin atravesar el contacto A (conexión a tierra del gabinete), comuníquese con un técnico. No se trata de una operación que pueda realizar el usuario.
 - Se recomienda utilizar terminales de tipo anillo. Si utiliza terminales de correa, asegúrese de que estén ajustados.
2. Afloje o retire los tornillos del bloque central de terminales.
 3. Conecte el cable neutro (cable blanco o central) y el cable de conexión a tierra (blanco) al tornillo central del bloque de terminales. Ajuste el tornillo.
 4. Conecte los demás cables a los tornillos externos del bloque de terminales. Ajuste los tornillos.
 5. Ajuste los tornillos de alivio de tensión.
 6. Inserte la lengüeta de la cubierta del bloque de terminales en la ranura trasera de la secadora. Asegure la cubierta con un tornillo de sujeción.

⚠ ADVERTENCIA

- Todos los modelos estadounidenses están fabricados para una conexión de sistemas de 3 cables. El armazón de la secadora está conectado a tierra al conductor neutro del bloque de terminales. Se requiere una conexión de sistemas de 4 cables para las construcciones nuevas o remodeladas, las casas rodantes o si los códigos locales no permiten la conexión a tierra a través del neutro. Si utiliza un sistema de 4 cables, no puede conectar a tierra el armazón de la secadora al conductor neutro del bloque de terminales.
- Retire la tapa del bloque de terminales. Inserte el cable de alimentación con un dispositivo de alivio de tensión con certificación UL a través del orificio provisto en el gabinete cerca del bloque de terminales.
- Se debe utilizar un dispositivo de alivio de tensión. No afloje las tuercas ya instaladas en el bloque de terminales. Asegúrese de que estén ajustadas. Utilice un tomacorriente para huecos profundos de $\frac{3}{8}$ " (1 cm).

PASO 4 Conecte la manguera de agua (únicamente para los modelos aplicables)

La secadora debe conectarse a una llave de agua fría mediante las mangueras de agua provistas.

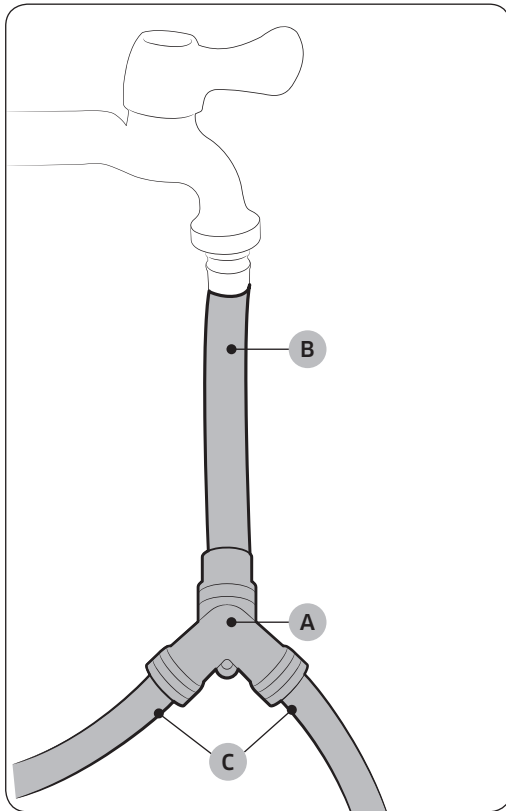


1. Cierre la llave de agua fría. Si tiene una manguera de agua fría de la lavadora conectada a la llave de agua fría, desatornille y quite la manguera. Luego, conecte el extremo hembra del conector en forma de Y a la llave de agua fría.
2. Conecte el extremo recto de la manguera de agua al conector en forma de "Y".
3. Ajuste la unión con otros dos tercios de giro adicionales utilizando la pinza. No ajuste de más dado que puede dañar la unión.
4. Conecte el extremo angular de la manguera de agua a la válvula de carga en la parte inferior del armazón trasero. Gire la unión manualmente hasta que esté ajustada.
5. Ajuste la unión con otros dos tercios de giro adicionales utilizando la pinza. No ajuste de más dado que puede dañar la unión.
6. Si ha desconectado la manguera de agua fría de la lavadora, una la manguera al extremo abierto del conector en forma de Y, ajuste bien la unión y, luego, ajuste con otros dos tercios de giro adicionales utilizando la pinza.
7. Abra la llave de agua fría y verifique que no haya pérdidas.

Si el conector en forma de "Y" no puede conectarse directamente a la llave de agua fría, use una manguera corta como se indica a continuación.

Instalación

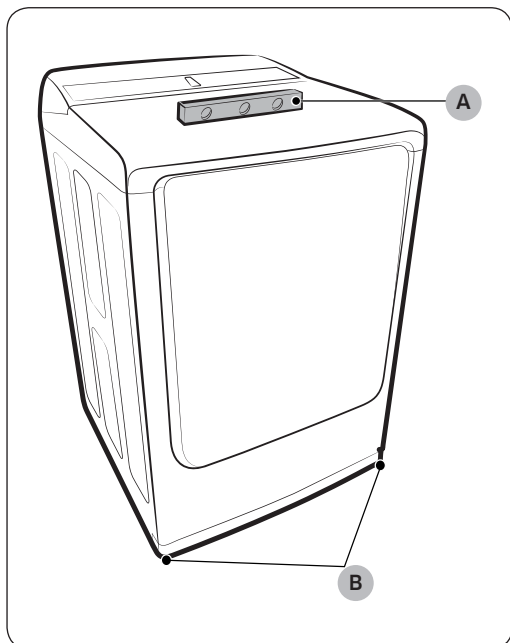
Uso de una manguera corta como prolongación



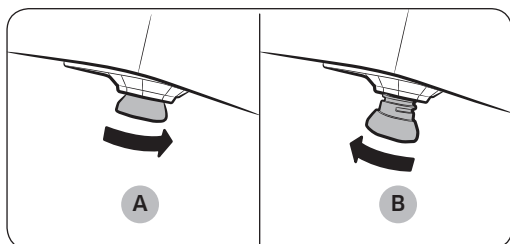
1. Cierre la llave de agua fría. Si tiene una manguera de agua fría de la lavadora conectada a la llave de agua fría, desatornille y quite la manguera. Luego, conecte la **manguera corta (B)** a la llave de agua fría. Gire la unión manualmente hasta que esté ajustada.
2. Ajuste la unión con otros dos tercios de giro adicionales utilizando la pinza. No ajuste de más dado que puede dañar la unión.
3. Una el **conector en forma de Y (A)** al extremo macho de bronce de la manguera corta. Gire la unión manualmente hasta que esté ajustada.
4. Ajuste la unión con otros dos tercios de giro adicionales utilizando la pinza. No ajuste de más dado que puede dañar la unión.
5. Conecte el extremo angular de las **mangueras de agua (C)** a la válvula de carga en la parte inferior del armazón trasero. Gire la unión manualmente hasta que esté ajustada.
6. Ajuste la unión con otros dos tercios de giro adicionales utilizando la pinza. No ajuste de más dado que puede dañar la unión.
7. Si ha desconectado la manguera de agua fría de la lavadora, una la manguera al extremo libre del conector en forma de Y, ajuste bien y, luego, ajuste con otros dos tercios de giro adicionales utilizando la pinza.
8. Abra la llave de agua fría y verifique que no haya pérdidas.

PASO 5 Nivele la secadora

Para garantizar un desempeño óptimo, la secadora debe estar nivelada.



1. Con un nivel (A), verifique si la secadora está nivelada de lado a lado y de adelante hacia atrás. Si la secadora no está nivelada, ajuste las patas niveladoras (B) de la parte inferior de la secadora. Luego verifique nuevamente si la secadora está nivelada.



NOTA

- Para colocar la secadora a la misma altura que la lavadora, **retraiga (A)** completamente las patas niveladoras girándolas en sentido contrario al de las agujas del reloj, luego **afloje (B)** las patas girándolas en el sentido de las agujas del reloj. Una vez que la secadora está a la misma altura que la lavadora, siga las instrucciones precedentes para nivelar la secadora.
- Ajuste las patas niveladoras solo lo necesario para nivelar la secadora. Extender las patas niveladoras más de lo necesario puede hacer que la secadora vibre.



Instalación

PASO 6 Encendido (modelos a gas)

Asegúrese de que todas las conexiones de gas, el conducto de drenaje y el cableado se realicen correctamente. Luego, enchufe el cable de alimentación a una fuente de alimentación y verifique la instalación y el funcionamiento de la secadora con la lista final de verificación del paso 7.

PASO 7 Verificación final

Una vez finalizada la instalación, confirme que:

- La secadora está enchufada a un tomacorriente y está conectada a tierra correctamente.
- Los conductos de drenaje están conectados y se colocó cinta a las uniones.
- Usted usó conducto rígido o flexible con un recubrimiento de metal resistente, no conducto flexible de plástico.
- La secadora está nivelada y apoyada firmemente sobre el piso.
- La secadora se pone en funcionamiento, funciona, calienta y se apaga correctamente.

Para modelos a gas:

- El gas se proporciona correctamente, sin pérdidas.

PRECAUCIÓN

Es posible que al principio el quemador no se encienda debido a la presencia de aire en el conducto de gas. Permitir que la secadora funcione con la opción de calor purgará el conducto. Si en el lapso de 5 minutos el gas no se enciende, apague la secadora y espere 5 minutos. Asegúrese de que el suministro de gas hacia su secadora esté abierto. Para confirmar que el gas está encendido, controle que se sienta calor en el drenaje.

Prueba de bloqueo de la ventilación

Una vez instalada la secadora, inicie la prueba de bloqueo de la ventilación para verificar si el sistema de conductos está instalado correctamente. La prueba de bloqueo de la ventilación detecta automáticamente el estado del conducto e informa de cualquier bloqueo o problema al usuario. Una instalación correcta de los conductos puede reducir el tiempo de secado y ahorrar energía.

NOTA

La prueba de bloqueo de la ventilación debe realizarse cuando la secadora está fría. Si se calienta luego de la verificación de la instalación, ejecute el ciclo AIR FLUFF (TEMPERATURA AMBIENTE) durante algunos minutos para reducir su temperatura interna.

Método de funcionamiento

1. Asegúrese de que el tambor esté vacío y cierre la puerta.
(Si hay ropa u otros productos en el tambor, la prueba no puede realizarse correctamente.)
2. Presione el botón **POWER (ENCENDER/APAGAR)** para poner en funcionamiento la secadora, luego mantenga presionados simultáneamente los botones **Cycle 1 (Ciclo 1) + Wrinkle Prevent (Prevención de arrugas)** durante 3 segundos. Al acceder a la prueba de bloqueo de la ventilación, se muestra "InS" en la pantalla. (Si se han iniciado otros procedimientos, la secadora no accede a la prueba de bloqueo de la ventilación.)



3. La prueba de bloqueo de la ventilación se inicia inmediatamente luego de presionar el botón **START/PAUSE (INICIO/PAUSA)**.
Durante la prueba, el indicador numérico gira en 6 pasos en el sentido de las agujas del reloj. La prueba dura aproximadamente 2 minutos. No abra la puerta durante la prueba.
4. Luego de 2 minutos, si la prueba se ha completado, se muestra el resultado y suena una señal. Si el estado del sistema de conductos es normal, se muestra "0" y suena una señal de finalización.
Si el sistema de conductos no drena correctamente, se muestra "CLg" y suena una señal de alarma.
Si hay algún problema, se muestra un código de información. Consulte los códigos de información en este instructivo.
 - Para detener o cancelar la prueba de bloqueo de la ventilación, presione el botón **POWER (ENCENDER/APAGAR)** para apagar la secadora.
 - Durante la prueba, si aparece "dc", asegúrese de que la puerta esté cerrada. Si se muestra "C1", asegúrese de que el tambor contenga ropa.
 - El resultado se muestra durante aproximadamente 5 minutos y luego se apaga en forma automática. Puede apagar el resultado directamente presionando el botón **POWER (ENCENDER/APAGAR)**.

 **NOTA**

- Durante y luego de la prueba, el interior del tambor está caliente. Tenga cuidado para evitar quemaduras.
La prueba de bloqueo de la ventilación se usa para detectar problemas en el sistema de conductos actual cuando la secadora se instala por primera vez.
- Si el resultado de la prueba muestra "CLg" (el sistema de conductos está bloqueado), consulte las secciones "Requisitos para el tendido de conductos" y "Guía de los conductos de drenaje" de este instructivo y tome las medidas adecuadas para el secado.
Si la prueba se suspende, puede dar resultados incorrectos. Siga los procedimientos adecuados para realizar la prueba de la secadora.
- Aunque el resultado sea normal ("0"), el sistema de conductos puede estar ligeramente bloqueado. Instale correctamente los conductos de acuerdo con las instrucciones de instalación de este instructivo.

Instalación

Guía de los conductos de drenaje

Conductos

1. Asegúrese de que la secadora esté instalada correctamente para que drene fácilmente.
2. Utilice conductos de metal rígido, de 4 pulgadas. Coloque cinta en todas las uniones, incluso en la conexión de la secadora.
Nunca use tornillos que atrapen pelusa.
3. Para facilitar el drenaje, mantenga los conductos tan rectos como sea posible.

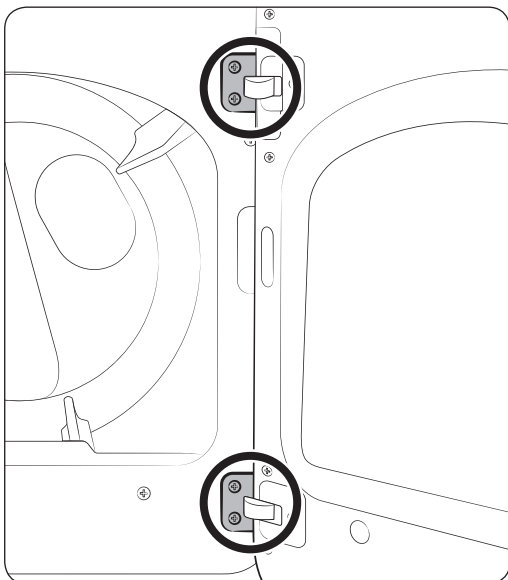
Limpieza

Limpie los conductos viejos antes de instalar la secadora y asegúrese de que la ventilación se abra y se cierre sin inconvenientes. Le recomendamos que limpie el sistema de drenaje anualmente o en forma regular.

ADVERTENCIA

- A fin de evitar incendios, no use ningún tipo de conducto plástico, con un recubrimiento delgado o de un material que no sea el metal.
- No use un mal sistema de drenaje dado que demora el desempeño de la secadora.
- No use conductos excesivamente largos con muchos codos.
- No use conductos o tubos de ventilación aplastados u obstruidos.

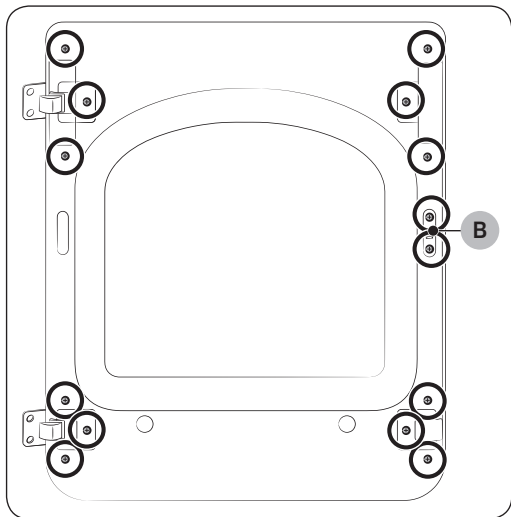
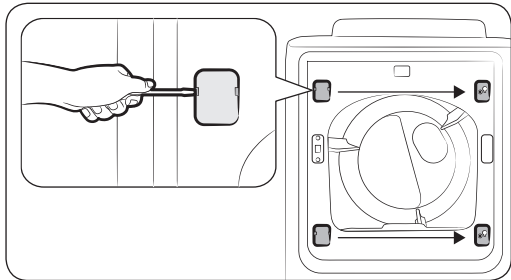
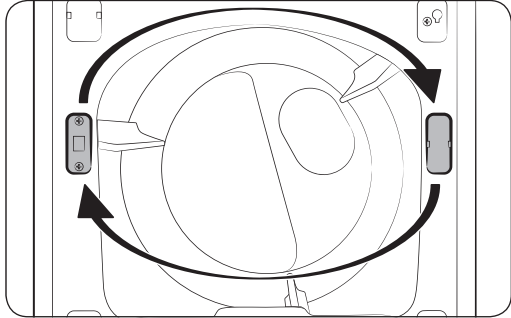
Cambiar la posición de la puerta



Para invertir el sentido en que se abre la puerta, le recomendamos que llame a un técnico calificado.

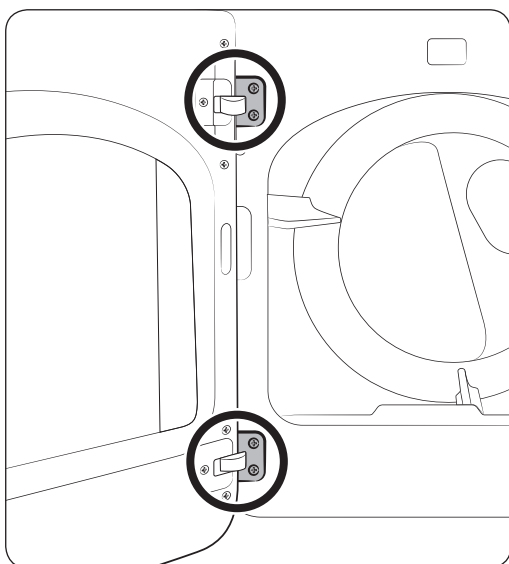
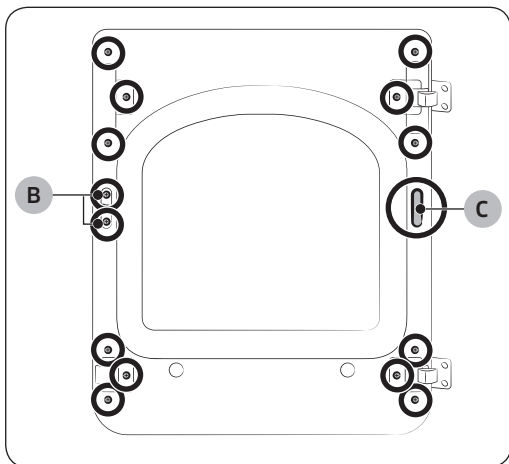
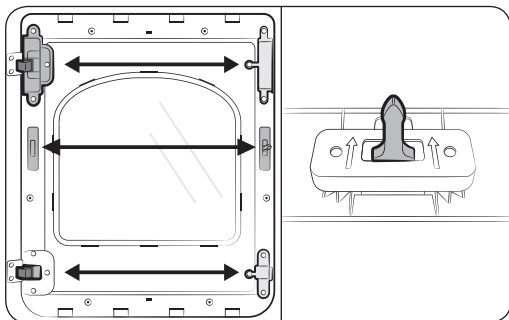
Se recomienda colocar un tapete delgado sobre el suelo para evitar rayar la puerta.

1. Desenchufe el cable de alimentación de la secadora.
2. Retire los cuatro tornillos de la bisagra de la puerta y luego retire la puerta levantándola levemente.



3. Retire los dos tornillos de la placa de apoyo y retire la cubierta de la placa.
4. Coloque la placa de apoyo del otro lado como se muestra y ajuste los tornillos. Instale la cubierta de la placa en el lado opuesto como se muestra.
5. Use un destornillador plano para retirar las dos cubiertas de la bisagra del lado original. Instale las cubiertas de la bisagra en el lado opuesto como se muestra.
6. Ubique y retire los 14 tornillos como se muestra. Tenga en cuenta que el **tornillo B (x2)** es más largo que los demás.

Instalación



7. Retire el soporte del vidrio e invierta las posiciones de:
 - a. la cubierta de la bisagra y la manija de la puerta.
 - b. el soporte de la bisagra y el soporte de la guía del vidrio
8. Retire la manija de la puerta y colóquela del otro lado como se ilustra.
9. Retire la **tapa del orificio (C)** e inserte y ajuste el soporte del vidrio usando los 14 tornillos que retiró.
10. Instale la tapa del orificio en el lado opuesto como se muestra.
11. Coloque nuevamente la puerta en el marco frontal y luego inserte y ajuste con cuidado los 4 tornillos de la bisagra.

Antes de comenzar

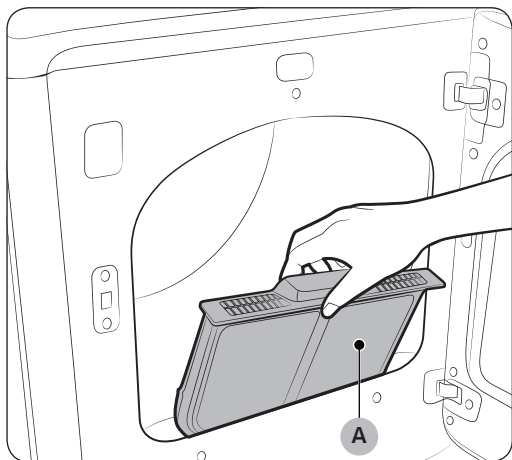
Antes de poner en funcionamiento la secadora, debe saber algunas cosas.

Clasificación y carga

- Coloque una carga de ropa en la secadora por vez.
- No mezcle prendas pesadas y livianas.
- Para mejorar la eficiencia de secado al secar una o dos prendas, agregue una toalla seca a la carga.
- Para obtener mejores resultados, desenrede las prendas antes de colocarlas en la secadora.
- La sobrecarga limita el funcionamiento y ocasiona un secado irregular, así como la formación de arrugas.
- A menos que se recomiende en la etiqueta, no seque prendas de lana o fibra de vidrio.
- Evite secar artículos sin lavar.
- No seque artículos muy sucios con aceite, alcohol, gasolina, etc.

Requisito de funcionamiento

Filtro para pelusas



Para evitar el riesgo de incendios, asegúrese de limpiar el filtro de pelusa antes o después de cada carga.

1. Apague la secadora.
2. Abra la puerta y retire el filtro de pelusa (A) del tambor.
3. Retire la pelusa acumulada y luego limpie el filtro.
4. Inserte el filtro nuevamente y cierre la puerta.

⚠ PRECAUCIÓN

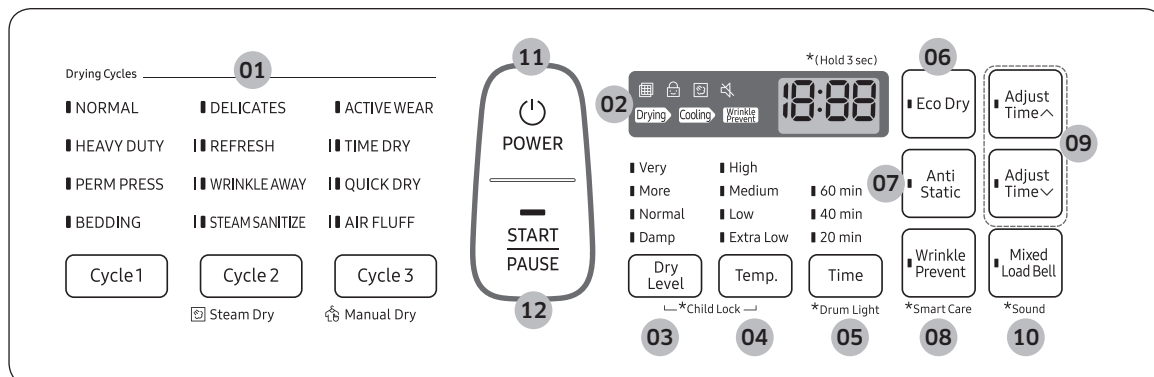
- No haga funcionar la secadora sin el filtro para pelusas insertado.
- No utilice un filtro de pelusa dañado o roto. Esto podría reducir el desempeño y/o provocar un incendio.

Funcionamiento

⚠ ADVERTENCIA

Para reducir el riesgo de incendio, descarga eléctrica o lesiones personales, lea “Información sobre seguridad” antes de poner en funcionamiento el electrodoméstico.

Panel de funciones



<p>01 Panel de ciclos</p>	<p>La secadora le permite seleccionar un ciclo en el panel de la izquierda. Este panel de ciclos consta de 3 secciones con sus botones correspondientes: Cycle 1 (Ciclo 1), Cycle 2 (Ciclo 2) y Cycle 3 (Ciclo 3).</p> <p>Revise cada una de las secciones y presione el botón de la sección correspondiente para seleccionar el ciclo que se ajuste a sus necesidades.</p> <ul style="list-style-type: none"> • Ciclos de Secado con sensor: La secadora detecta la humedad interna y aplica el dato para el tiempo de secado. Esta categoría incluye: NORMAL, HEAVY DUTY (ACCIÓN FUERTE), PERM PRESS (PLANCHADO PERMANENTE), BEDDING (ROPA DE CAMA), DELICATES (DELICADA) y ACTIVE WEAR (ROPA DEPORTIVA). • Ciclos de Secado con vapor: La secadora rocía agua sobre el tambor para desodorizar la ropa y reducir la electricidad estática y las arrugas. Esta categoría incluye REFRESH (REFRESCAR), WRINKLE AWAY (ANTIARRUGAS) Y STEAM SANITIZE (DESINFECCIÓN CON VAPOR). • Ciclos de Secado manual: El tiempo de secado se fija. Esta categoría incluye: TIME DRY (SECADO CON TEMPORIZADOR), QUICK DRY (SECADO RÁPIDO) y AIR FLUFF (TEMPERATURA AMBIENTE).
<p>02 Pantalla gráfica digital</p>	<p>Muestra toda la información del ciclo, incluyendo el tiempo del ciclo, el código de información y el estado de funcionamiento de la secadora.</p> <ul style="list-style-type: none"> • Control del filtro • Seguro para niños • Vapor

03 Dry Level (Nivel de secado)	<p>Presione Dry Level (Nivel de secado) para seleccionar el nivel de secado de las opciones disponibles. Se enciende el indicador correspondiente.</p> <ul style="list-style-type: none"> Las cargas más grandes o más voluminosas posiblemente requieran la opción Very Dry (Muy seco) o More Dry (Más seco) para que el secado sea completo. La opción Damp Dry (Húmedo) fue diseñada para secar las prendas parcialmente. Utilícela para las prendas que deban secarse en posición horizontal o colgarse. <p>NOTA</p> <p>Esta opción no está disponible con: AIR FLUFF (TEMPERATURA AMBIENTE), ACTIVE WEAR (ROPA DEPORTIVA), TIME DRY (SECADO CON TEMPORIZADOR), QUICK DRY (SECADO RÁPIDO), REFRESH (REFRESCAR), WRINKLE AWAY (ANTIARRUGAS) y STEAM SANITIZE (DESINFECCIÓN CON VAPOR).</p>
04 Temp. (Control de)	<p>Presione Temp. (Control de) para cambiar la temperatura del ciclo actual.</p> <ul style="list-style-type: none"> High (Alta): Para los algodones resistentes o aquellos con el rótulo Secar en secadora. Medium (Media): Para prendas de planchado permanente, telas sintéticas, algodones livianos u otras prendas con el rótulo Secar en secadora a temperatura media. Low (Baja): Para prendas sensibles al calor con el rótulo Secar en secadora a temperatura baja o Secar en secadora a temperatura cálida. Extra Low (Extra baja): Ofrece la menor temperatura de secado con calor posible.
05 Time (Tiempo)	<p>Presione Time (Tiempo) para seleccionar el tiempo de secado para el ciclo seleccionado. Solo está disponible con TIME DRY (SECADO CON TEMPORIZADOR), QUICK DRY (SECADO RÁPIDO), AIR FLUFF (TEMPERATURA AMBIENTE), y WRINKLE AWAY (ANTIARRUGAS).</p>
06 Eco Dry (Secado eco)	<p>Esta función está disponible en los ciclos NORMAL y TIME DRY (SECADO CON TEMPORIZADOR).</p> <p>Con Eco Dry (Secado eco) activado, el secado requiere más tiempo pero el consumo de energía se reduce.</p> <p>El tiempo de secado puede prolongarse hasta 3 veces, dependiendo de la temperatura y la carga. La función Secado eco está activada de manera predeterminada.</p>
07 Anti Static (Antiestática)	<p>Reduce la electricidad estática que surge de la fricción de las prendas. Se realiza rociando las prendas con vapor en una de las últimas fases del ciclo de secado.</p> <p>NOTA</p> <p>La función antiestática solo está disponible con NORMAL, HEAVY DUTY (ACCIÓN FUERTE), PERM PRESS (PLANCHADO PERMANENTE), DELICATES (DELICADA) y TIME DRY (SECADO CON TEMPORIZADOR).</p>
08 Wrinkle Prevent (Prevención de arrugas)	<p>La opción de prevención de arrugas ofrece aproximadamente 180 minutos de secado intermitente con aire fresco al final del ciclo para reducir la formación de arrugas.</p> <p>Presione Wrinkle Prevent (Prevención de arrugas) para activar dicha función. La carga está seca y puede ser retirada en cualquier momento durante el ciclo de prevención de arrugas.</p>

Funcionamiento

09 Adjust Time (Ajustar tiempo)	Puede cambiar el tiempo ajustado para el ciclo seleccionado. Solo está disponible con TIME DRY (SECADO CON TEMPORIZADOR), QUICK DRY (SECADO RÁPIDO), AIR FLUFF (TEMPERATURA AMBIENTE), y WRINKLE AWAY (ANTIARRUGAS). Para cambiar la duración del ciclo, presione Adjust Time (Ajustar tiempo) ^ o Adjust Time (Ajustar tiempo) v hasta que aparezca el tiempo deseado.
10 Mixed Load Bell (Timbre de carga mixta)	<p>El timbre de carga mixta le notifica cuando el nivel de secado promedio de una carga ha alcanzado el centrifugado parcial (80 % seco). Le permite retirar las prendas que no desea que se sequen completamente o que se secan rápidamente fuera de la secadora mientras deja que otras prendas sigan secándose.</p> <p>Puede seleccionar esta opción en todos los ciclos de secado con sensor, excepto AIR FLUFF (TEMPERATURA AMBIENTE), ACTIVE WEAR (ROPA DEPORTIVA), TIME DRY (SECADO CON TEMPORIZADOR), QUICK DRY (SECADO RÁPIDO), REFRESH (REFRESCAR), WRINKLE AWAY (ANTIARRUGAS) Y STEAM SANITIZE (DESINFECCIÓN CON VAPOR). Los niveles de secado disponibles son Normal Dry (Secado normal), More Dry (Más seco) y Very Dry (Muy seco).</p>
11 POWER (ENCENDER/ APAGAR)	Presione para encender y apagar la secadora.
12 START/PAUSE (INICIO/PAUSA)	Mantenga presionada para iniciar el funcionamiento, o presione para detenerlo.

NOTA

Las prendas muy enredadas pueden disminuir la eficacia del secado o hacer que se abra la puerta. Recomendamos desenredar las prendas antes de secarlas.

No coloque objetos sobre la secadora, en especial sobre el panel de funciones.

PRECAUCIÓN

No rocíe agua sobre el panel de funciones. Puede producirse una falla de sistema.

Sencillos pasos para comenzar

1. Presione **POWER (ENCENDER/APAGAR)** para poner en funcionamiento la secadora.
2. Presione para seleccionar el ciclo deseado en el panel de la izquierda.
3. Cambie las configuraciones de ciclo (**Dry Level (Nivel de secado)**, **Temp. (Control de)** y **Time (Tiempo)**) según sea necesario.
4. Como opción, puede activar las opciones disponibles presionando el botón correspondiente (**Anti Static (Antiestática)**, **Eco Dry (Secado eco)**, **Mixed Load Bell (Timbre de carga mixta)** y/o **Wrinkle Prevent (Prevención de arrugas)**).
5. Presione **START/PAUSE (INICIO/PAUSA)**.
La luz indicadora de la secadora se enciende y el tiempo estimado del ciclo aparece en la pantalla.

Para cambiar el ciclo durante el funcionamiento

1. Presione **START/PAUSE (INICIO/PAUSA)** para detener el funcionamiento.
2. Seleccione otro ciclo.
3. Presione nuevamente **START/PAUSE (INICIO/PAUSA)** para iniciar el nuevo ciclo.

Funcionamiento

Descripción de los ciclos

Secado con sensor

Ciclo	Descripción
NORMAL	Para la mayoría de las telas, incluido algodón y lino. Si está seleccionado el ciclo NORMAL, la función Secado eco está activada de manera predeterminada. Para obtener más información, consulte Secado eco en la sección "Panel de funciones".
HEAVY DUTY (ACCIÓN FUERTE)	Para secar prendas de tela resistente, tales como los jeans, la pana y la ropa de trabajo con calor a alta temperatura.
PERM PRESS (PLANCHADO PERMANENTE)	Seca automáticamente prendas de algodón sin arrugas, también telas sintéticas, tejidos y telas antiarrugas.
BEDDING (ROPA DE CAMA)	Para prendas voluminosas, como cobijas, sábanas y edredones.
DELICATES (DELICADA)	Para secar prendas sensibles al calor a baja temperatura de secado.
ACTIVE WEAR (ROPA DEPORTIVA)	Para prendas para hacer ejercicio y actividades al aire libre tales como jerseys de deporte, pantalones deportivos, chaquetas impermeables u otras prendas de entrenamiento. Es posible que las telas gruesas como los cierres relámpago o de velcro de una chaqueta o las medias de entrenamiento no queden totalmente secas.

Secado con vapor

Ciclo	Descripción
REFRESH (REFRESCAR)	Úselo para alisar arrugas y reducir olores en cargas de una a cuatro prendas. Cuando se selecciona este ciclo, se rocía una pequeña cantidad de agua en el tambor de la secadora después de varios minutos de secado con calor. Verifique que la carga de ropa esté seca.
WRINKLE AWAY (ANTIARRUGAS)	Para obtener los mejores resultados, cargue 2-3 prendas al mismo tiempo. Puede prolongar el tiempo de secado un tiempo mínimo de 20 minutos, dependiendo del tipo de prendas o de la carga. Verifique que la carga de ropa esté seca.
STEAM SANITIZE (DESINFECCIÓN CON VAPOR)	Úselo para desinfectar prendas mediante la aplicación de vapor y calor a alta temperatura a las telas. Este ciclo puede suavizar las prendas y reducir los olores. Verifique que la carga de ropa esté mojada o parcialmente mojada.

Secado manual

Ciclo	Descripción
TIME DRY (SECADO CON TEMPORIZADOR)	Permite seleccionar el tiempo del ciclo en minutos. Si TIME DRY (SECADO CON TEMPORIZADOR) está seleccionado, la función Secado eco está activada de manera predeterminada. Para obtener más información, consulte Secado eco en la sección " Panel de funciones ".
QUICK DRY (SECADO RÁPIDO)	Un ciclo de secado rápido que dura 30 minutos.
AIR FLUFF (TEMPERATURA AMBIENTE)	Seca la carga con aire a temperatura ambiente.

Funcionamiento

Guía de secado

La mejor manera de secar las prendas es seguir las instrucciones de la etiqueta. Si no se brindan instrucciones de secado, consulte la siguiente tabla a modo de referencia.

Ciclo	Descripción
Cubrecamas y edredones	Siga las instrucciones de la etiqueta con indicaciones o seque en el ciclo BEDDING (ROPA DE CAMA). <ul style="list-style-type: none">Asegúrese de que la prenda esté completamente seca antes de usarla o guardarla.Tal vez deba volver a colocarla en el tambor para garantizar un secado uniforme.
Cobijas	Utilice el ciclo NORMAL y seque de a una sola cobija por vez para lograr un mejor funcionamiento de la secadora. <ul style="list-style-type: none">Asegúrese de que las cobijas estén completamente secas antes de usarlas o guardarlas.
Cortinas y paños de tela	Utilice el ciclo PERM PRESS (PLANCHADO PERMANENTE) y la temperatura Medium (Media) para minimizar la formación de arrugas. <ul style="list-style-type: none">Seque cortinas y paños de tela en tandas pequeñas para obtener mejores resultados y retírelos lo antes posible una vez finalizado el ciclo.
Pañales de tela	Utilice NORMAL y la opción de temperatura High (Alta) para pañales suaves y mullidos.
Prendas con relleno de plumas (chaquetas, bolsas de dormir, edredones, etc.)	Utilice el ciclo NORMAL y la opción de temperatura Medium (Media). <ul style="list-style-type: none">Agregue un par de toallas secas para absorber la humedad y acortar el tiempo de secado.
Goma espuma (reverso de alfombras, muñecos de peluche, hombreras, etc.)	No seque con el ciclo de secado con calor. Utilice el ciclo AIR FLUFF (TEMPERATURA AMBIENTE). ⚠ ADVERTENCIA Secar un artículo de goma con calor puede dañarlo o causar un incendio.
Almohadas	Utilice el ciclo NORMAL. <ul style="list-style-type: none">Agregue un par de toallas secas y un par de zapatillas limpias para mejorar el funcionamiento de la secadora y ahuecar las almohadas.No seque almohadas de capoc o de goma espuma utilizando un ciclo de secado con calor. Puede secar estos elementos en la secadora solamente si usa el ciclo AIR FLUFF (TEMPERATURA AMBIENTE).
Plásticos (cortinas de baño, cubiertas de muebles para exteriores, etc.)	Utilice el ciclo AIR FLUFF (TEMPERATURA AMBIENTE) o TIME DRY (SECADO CON TEMPORIZADOR) y la opción de temperatura Low (Baja) o Extra Low (Extra baja) de acuerdo con las instrucciones de la etiqueta.

⚠ ADVERTENCIA

No seque:

- Artículos de fibra de vidrio (cortinas, paños de tela, etc.)
- Lanas, salvo que se recomiende en la etiqueta
- Artículos manchados o embebidos en aceite vegetal o de cocina

Funciones especiales

Seguro para niños

La función de Seguro para niños evita que los niños jueguen con la secadora. Cuando el Seguro para niños está activado, todos los botones excepto **POWER (ENCENDER/APAGAR)** se desactivan.

Para activar/desactivar el Seguro para niños, mantenga presionado al mismo tiempo **Dry Level (Nivel de secado)** y **Temp. (Control de)** durante 3 segundos.

NOTA

Una vez activado el Seguro para niños permanecerá activo incluso después que encienda la secadora nuevamente.

Si otros botones, salvo el botón **POWER (ENCENDER/APAGAR)**, no responden, verifique el indicador de Seguro para niños. Si el indicador está encendido, siga las instrucciones precedentes para desactivar el Seguro para niños.

Luz del tambor

Para encender la luz del tambor con la secadora en funcionamiento, mantenga presionado **Time (Tiempo)** durante 3 segundos.

NOTA

Después de 2 minutos de inactividad, la luz del tambor se apaga automáticamente.

Sonido activado/desactivado

Para apagar las señales sonoras de notificación y las melodías de la secadora, mantenga presionado **Mixed Load Bell (Timbre de carga mixta)** durante 3 segundos.

Para cancelar el silencio de la secadora, mantenga presionado nuevamente **Mixed Load Bell (Timbre de carga mixta)** durante 3 segundos.

NOTA

Esta función se mantiene activa incluso después de encender la secadora nuevamente.



Funcionamiento

Smart Care

Si la secadora muestra un código de información, puede usar Smart Care para verificar el estado de la secadora en un teléfono inteligente.

Para usar Smart Care, debe tener instalada la aplicación Smart Care de Samsung en su teléfono inteligente.

NOTA

Smart Care está optimizado para Galaxy de Samsung y iPhones de Apple (no es compatible con algunos modelos).

Descargue la aplicación Samsung Smart Care desde Google Play Store o Apple App Store (Palabra de búsqueda: “**Samsung Smart Washer/Dryer**”) e instálela en su teléfono inteligente.

Si aparece algún código de información en la secadora, siga estos pasos:

1. Mantenga presionado **Wrinkle Prevent (Prevención de arrugas)** durante 3 segundos para activar Smart Care. Se enciende el indicador de Smart Care.
2. Abra la aplicación Smart Care en su teléfono inteligente.
3. Coloque la cámara de su teléfono inteligente cerca de la pantalla de la secadora. La aplicación reconoce automáticamente el código de información y muestra sugerencias en su teléfono inteligente.
4. Si el teléfono inteligente no reconoce el código de información más de dos veces, ingrese en forma manual el código de información en la aplicación Smart Care.

PRECAUCIÓN

- Si la luz se refleja en la pantalla de la secadora, es posible que el teléfono no reconozca el código de información.
- Si coloca el teléfono inteligente en un ángulo de la pantalla de la secadora, es posible que el teléfono no reconozca el código de información. Para obtener los mejores resultados, sostenga el teléfono inteligente en una posición paralela o casi paralela respecto al frontal del panel.
- Después de usar esta función, la secadora eliminará el registro del código de información de su registro de códigos.



Mantenimiento

Mantenga la secadora limpia para impedir la reducción del desempeño y para alargar su vida útil.

ADVERTENCIA

El panel de control y la válvula de entrada no están conectados a tierra intencionalmente y pueden presentar riesgo de descarga eléctrica únicamente durante el servicio técnico.

Personal del servicio técnico - No toque estas partes mientras la secadora está recibiendo electricidad.

Limpieza

Panel de funciones

- Limpie con un paño suave y húmedo. No utilice sustancias abrasivas.
- No rocíe productos de limpieza líquidos directamente en la pantalla de la secadora.
- Algunos productos removedores de suciedad y manchas de tratamiento previo al lavado pueden dañar el panel de funciones.
- Al usar productos de limpieza líquidos, aplíquelos a la ropa. No los aplique directamente en la secadora. Limpie el líquido derramado o rociado inmediatamente.

Tambor

- Elimina las manchas del tambor con un limpiador multiuso.
- Seque toallas o trapos para eliminar restos de manchas o productos de limpieza. Las manchas pueden ser aún visibles, pero no afectarán las cargas posteriores.

Tambor con revestimiento en polvo

Para limpiar el tambor con revestimiento en polvo, use un paño humedecido con un limpiador suave, no abrasivo, adecuado para superficies que se deterioran fácilmente.

Elimine los residuos del limpiador y seque con un paño limpio.

Exterior de la secadora

- Limpie con un paño suave y húmedo. No utilice sustancias abrasivas.
- Proteja la superficie de objetos afilados.
- No coloque objetos pesados ni afilados ni tampoco un envase de detergente sobre la secadora. Pueden rayar o dañar la cubierta superior de la secadora.
- La secadora tiene un acabado brillante en toda su superficie. Tenga cuidado de no rayar ni dañar la superficie.

Sistema de drenaje

- Controle y limpie el sistema de drenaje en forma anual o regular para mantener un desempeño óptimo.
- La tapa de drenaje exterior debe limpiarse con más frecuencia para garantizar un flujo de aire adecuado.

Solución de problemas

Verificaciones

Si la secadora funciona en forma anormal, primero consulte la lista de problemas en la tabla siguiente y pruebe las sugerencias.

Problema	Acción
No funciona.	<ul style="list-style-type: none">• Asegúrese de que la puerta esté cerrada.• Asegúrese de que el cable de alimentación esté conectado a un tomacorriente que funcione.• Controle los disyuntores o fusibles de su casa.• Presione o toque START/PAUSE (INICIO/PAUSA) nuevamente si la puerta se abre durante el ciclo.• Limpie el filtro para pelusas.
No calienta.	<ul style="list-style-type: none">• Controle los disyuntores o fusibles de su casa.• Algunos ciclos no requieren calor. Verifique nuevamente el ciclo seleccionado.• En una secadora a gas, asegúrese de que el suministro de gas esté abierto.• Limpie el filtro para pelusas y el conducto de drenaje.• La secadora puede haberse desplazado a la fase de enfriamiento del ciclo.
No seca.	<ul style="list-style-type: none">• Verifique todos los ítem anteriores y, además...• Asegúrese de que la tapa de drenaje hacia el exterior de su casa se pueda abrir y cerrar sin inconvenientes.• Verifique que el sistema de drenaje no presente obstrucciones. Los conductos deben inspeccionarse y limpiarse todos los años.• Utilice un conducto de drenaje de metal rígido, de 4".• No la sobrecargue. 1 carga de lavado = 1 carga de secado.• Seque los artículos pesados y los livianos por separado.• Es posible que sea necesario volver a colocar los artículos grandes y voluminosos, como las cobijas o los edredones, para garantizar un secado uniforme.• Asegúrese de que la lavadora esté drenando en forma correcta y extrayendo el agua de la carga adecuadamente.• Es posible que la carga sea demasiado pequeña como para secarse correctamente. Agregue algunas toallas y reinicie la secadora.• Es posible que la carga sea demasiado grande como para secarse correctamente. Retire algunas prendas y vuelva poner en funcionamiento la secadora.• Limpie el filtro para pelusas.

Problema	Acción
Hace ruido.	<ul style="list-style-type: none"> • Verifique si en la carga hay objetos tales como monedas, botones flojos, clavos, etc. Retírelos de inmediato. • Es normal escuchar el ruido de la válvula de gas de la secadora o que el ciclo del dispositivo de calor se enciende o se apaga durante el ciclo de secado. • Asegúrese de que la secadora esté correctamente nivelada tal como se describe en las instrucciones de instalación. • Es normal que la secadora emita un zumbido debido a la alta velocidad del aire que se mueve por el tambor de la secadora, el ventilador y el sistema de drenaje.
No seca de manera uniforme.	<ul style="list-style-type: none"> • Es posible que las costuras, los bolsillos y otras áreas resistentes similares no se sequen por completo cuando el resto de la carga ha llegado al nivel de secado seleccionado. Esto es normal. Puede elegir un nivel de secado más alto o un ciclo que incluya un nivel de secado más alto. • Si se seca un artículo pesado con una carga liviana, por ejemplo una toalla con sábanas, es posible que el artículo pesado no esté completamente seco cuando el resto de la carga alcance el nivel de secado seleccionado. • Para obtener mejores resultados, seque los artículos pesados y los livianos por separado.
Tiene olor.	<ul style="list-style-type: none"> • Los olores del hogar, ya sea que provengan de la pintura, el barniz, los limpiadores potentes, etc., pueden ingresar en la secadora con el aire del ambiente. Esto es normal puesto que la secadora extrae el aire de la habitación, lo calienta y lo hace circular por el tambor y lo expulsa a través del drenaje hacia el exterior. • Si estos olores permanecen en el aire, ventile bien la habitación antes de usar la secadora. • Use un ciclo que cuente con la función de refrescar. Si los olores persisten, vuelva a lavar y secar los artículos.
Pelusa en las prendas.	<ul style="list-style-type: none"> • Limpie el filtro para pelusas antes de cada carga. Para la ropa que naturalmente acumula pelusas, limpie el filtro durante el ciclo. • Algunas telas producen pelusa (por ejemplo, una toalla de algodón blanco con mucho pelo) y deben secarse por separado de las prendas que atrapan pelusa (por ejemplo, un par de pantalones de lino negro). • Divida las cargas grandes en cargas más pequeñas para el secado. • Revise bien los bolsillos antes de secar las prendas, luego séquelas. • Quite las pelusas de adentro del tambor antes del secado.

Solución de problemas

Problema	Acción
Prendas arrugadas después la prevención de arrugas (Wrinkle Away (Antiarrugas), Wrinkle Release (Desarrugar)).	<ul style="list-style-type: none">• Funciona mejor con cargas pequeñas de 1 a 4 prendas.• Cargue menos prendas. Cargue prendas similares.• Retire las prendas de inmediato una vez finalizado el secado.
Gotea agua de la boquilla cuando comienza el ciclo de vapor.	<ul style="list-style-type: none">• Esto se debe a la condensación del vapor. El goteo de agua se detendrá en unos minutos.
No se ve el agua rociada durante los ciclos de vapor.	<ul style="list-style-type: none">• El agua rociada es difícil de ver cuando la puerta está cerrada.
Tiempo prolongado.	<ul style="list-style-type: none">• El secado con sensor detecta automáticamente la humedad de la carga y apaga la secadora cuando alcanza el nivel de secado seleccionado. El tiempo de secado puede variar de acuerdo con el tipo y la cantidad de prendas. Consulte la tabla de ciclos para obtener referencias.

Si el problema persiste, comuníquese con un centro de servicio local de Samsung.

Códigos de información

Si la secadora no funciona bien, puede ver un código de información en el panel de la pantalla. Para determinar qué debe hacer, consulte la lista de códigos en la tabla siguiente y pruebe las sugerencias.

Código	Acción
dC	La secadora funciona con la puerta abierta. <ul style="list-style-type: none">• Asegúrese de que la puerta esté perfectamente cerrada.• Asegúrese de que no quede ropa trabada en la puerta.
FC	Frecuencia de fuente de alimentación no válida <ul style="list-style-type: none">• Intente reiniciar el ciclo.• Si este código de información permanece, comuníquese con un centro de servicio de Samsung.
AC	Problema con el control electrónico (Comunicación no válida). <ul style="list-style-type: none">• Comuníquese con un centro de servicio de Samsung.
HC	Verificación de temperatura alta <ul style="list-style-type: none">• Limpie el filtro para pelusas.• Si este código de información permanece, comuníquese con un centro de servicio de Samsung (ingrese al modo de prueba de línea)
9C1	Se debe revisar el control electrónico. <ul style="list-style-type: none">• Revise si la alimentación se suministra normalmente.• Si el código de información permanece, comuníquese con un centro de servicio de Samsung.
tC	La resistencia del termistor 1 es muy baja o muy alta. <ul style="list-style-type: none">• Revise si el filtro para pelusas está obstruido.• Revise si el sistema de ventilación está restringido.• Si este código de información permanece, comuníquese con un centro de servicio de Samsung.
tC5	La resistencia del termistor 2 es muy baja o muy alta. <ul style="list-style-type: none">• Revise si el filtro para pelusas está obstruido.• Revise si el sistema de ventilación está restringido.• Si este código de información permanece, comuníquese con un centro de servicio de Samsung.
dF	Interruptor de la puerta incorrecto. <ul style="list-style-type: none">• Comuníquese con un centro de servicio de Samsung.

Si un código de información sigue apareciendo en la pantalla, comuníquese con un centro de servicio de Samsung.

Especificaciones

Tabla de indicaciones sobre telas

Los siguientes símbolos ofrecen indicaciones acerca de las prendas. La etiqueta de indicaciones de la prenda incluye símbolos para secado, blanqueado, planchado y limpieza en seco. El uso de símbolos garantiza la consistencia entre los fabricantes textiles de artículos nacionales e importados. Siga las indicaciones de la etiqueta para optimizar la vida útil de la prenda y reducir los problemas del lavado.

Ciclo de lavado

	Normal
	Planchado permanente/Antiarrugas/ Control de arrugas
	Prendas suaves/delicadas
	Lavado a mano

Temperatura del agua

...	Caliente
..	Tibia
.	Fría

NOTA

La tabla de la temperatura del agua presenta las temperaturas del agua del lavado apropiadas para diversas prendas. El rango de temperatura es de 106 - 126 °F (41 - 52 °C) para Caliente, 84 - 106 °F (29 - 41 °C) para Tibia y 61 - 84 °F (16 - 29 °C) para Fría. (La temperatura del agua del lavado debe alcanzar un mínimo de 61 °F (16 °C) para que se active el detergente y se logre un lavado eficaz.)

Blanqueador

	Cualquier blanqueador (cuando sea necesario)
	Solo blanqueador sin cloro (protección del color) (si es necesario)
	Secar en secadora

Normal

	Planchado permanente/Antiarrugas/ Control de arrugas
	Prendas suaves/delicadas

Instrucciones especiales

	Secar colgado/Tender
	Colgar para que escurra
	Secar en posición horizontal







Ajuste del calor

	Alto
	Medio
	Bajo
	Cualquier calor
	Sin calor / Aire






Temperaturas de secado con plancha o vapor

	Alta
	Media
	Baja

Símbolos de advertencia para el lavado

	No lavar
	No retorcer
	No usar blanqueador
	No secar en secadora
	Sin vapor (agregado a la plancha)
	No planchar

Limpiar en seco

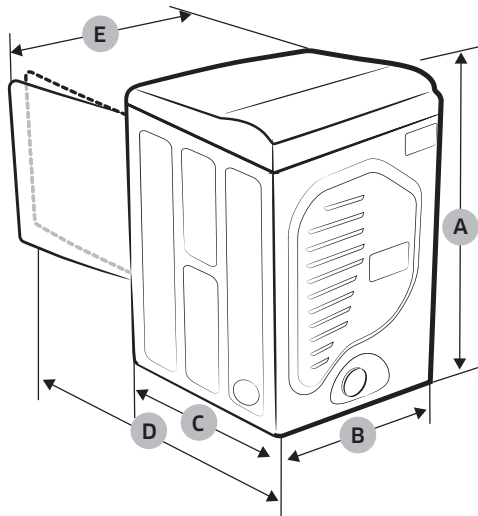
	Limpiar en seco
	No limpiar en seco
	Secar colgado / Tender
	Colgar para que escurra
	Secar en posición horizontal

Protección del medio ambiente

Este electrodoméstico se fabrica con materiales reciclables. Si decide desechar este electrodoméstico, siga la normativa local relacionada con la eliminación de residuos. Corte el cable de alimentación para que el electrodoméstico no pueda conectarse a una fuente de alimentación. Retire la puerta para que los animales y los niños pequeños no puedan quedar atrapados dentro del electrodoméstico.

Especificaciones

Hoja de especificaciones



Tipo		Secadora de carga frontal	
Modelo		DVE(G)52M8650*	
Dimensiones	A. Altura	Producto - pulgadas (cm)	42.4 (107.7)
		Requerido para instalación - pulgadas	44.4
	B. Ancho	Producto - pulgadas (cm)	27.0 (68.6)
		Requerido para instalación - pulgadas	29.0
	C. Profundidad	Producto - pulgadas (cm)	30.2 (76.8)
		Requerido para instalación - pulgadas	35.2
	D. Profundidad con la puerta abierta 90°	Producto - pulgadas (cm)	50.1 (127.3)
		Requerido para instalación - pulgadas	55.1
E. Ancho con la puerta abierta 110°	Producto - pulgadas (cm)	31.5 (79.8)	
	Requerido para instalación - pulgadas	36.5	
Presión de agua - psi (kPa)		20-116 (137-800)	
Peso NETO	Eléctrica - lb (kg)	126 (57)	
	Gas - lb (kg)	128 (58)	
Potencia del calentador	Eléctrico (W)	5300	
	A gas (BTU/h)	22000	

Tabla de ciclos

NOTA

Para obtener los mejores resultados, siga las recomendaciones sobre el tamaño de la carga para cada ciclo de secado.

- Carga grande: Llene $\frac{3}{4}$ del tambor. No agregue prendas por encima de este nivel para que puedan dar vueltas con libertad.
- ◐ Carga media: Llene $\frac{1}{2}$ del tambor.
- Carga pequeña: Coloque de 3 a 5 prendas y no llene más de $\frac{1}{4}$ del tambor.

Ciclo	Prendas recomendadas	Tamaño de la carga	Dry Level (Nivel de secado)
NORMAL	Algodón, ropa de trabajo, ropa de cama y de mesa, cargas mixtas	●	Normal Dry (Secado normal) (Ajustable)
HEAVY DUTY (ACCIÓN FUERTE)	Telas resistentes, tales como jeans, pana y ropa de trabajo pesado	●	Normal Dry (Secado normal) (Ajustable)
PERM PRESS (PLANCHADO PERMANENTE)	Camisas, telas sintéticas, tejidos, prendas de algodón sin arrugas y telas con planchado	◐	Normal Dry (Secado normal) (Ajustable)
BEDDING (ROPA DE CAMA)	Prendas voluminosas, tales como cobijas, sábanas, edredones y almohadas	●	Normal Dry (Secado normal) (Ajustable)
DELICATES (DELICADA)	Ropa interior, blusas, lencería	◐	Normal Dry (Secado normal) (Ajustable)
REFRESH (REFRESCAR)	Camisas, pantalones, edredones, almohadas	○	-
WRINKLE AWAY (ANTIARRUGAS)	Camisas, pantalones, blusas	○	-
STEAM SANITIZE (DESINFECCIÓN CON VAPOR)	Ropa de cama, cortinas, prendas de niños	◐	Very Dry (Muy seco) (Sin cambios)
ACTIVE WEAR (ROPA DEPORTIVA)	Prendas impermeables, prendas de entrenamiento, ropa deportiva (Máximo: 4 lbs)	◐	Normal Dry (Secado normal) (Sin cambios)
TIME DRY (SECADO CON TEMPORIZADOR)	Cualquier carga	●	-
QUICK DRY (SECADO RÁPIDO)	Cargas pequeñas	○	-
AIR FLUFF (TEMPERATURA AMBIENTE)	Espuma, goma, plástico	○	-

Especificaciones

NOTA

- : configurado de fábrica, ●: se puede seleccionar

Ciclo	Funciones				
	Control de temperatura				Time (Tiempo)
	High (Alta)	Medium (Media)	Low (Baja)	Extra Low (Extra baja)	
NORMAL		●			
HEAVY DUTY (ACCIÓN FUERTE)	●				
PERM PRESS (PLANCHADO PERMANENTE)		●			
BEDDING (ROPA DE CAMA)	●				
DELICATES (DELICADA)				●	
REFRESH (REFRESCAR)	●				
WRINKLE AWAY (ANTIARRUGAS)	●				●
STEAM SANITIZE (DESINFECCIÓN CON VAPOR)	●				
ACTIVE WEAR (ROPA DEPORTIVA)		●			
TIME DRY (SECADO CON TEMPORIZADOR)	●	●	●	●	●
QUICK DRY (SECADO RÁPIDO)	●				●
AIR FLUFF (TEMPERATURA AMBIENTE)					●

Ciclo	Opciones				
	Eco Dry (Secado eco)	Anti Static (Antiestática)	Wrinkle Prevent (Prevención de arrugas)	Adjust Time (Ajustar tiempo)	Mixed Load Bell (Timbre de carga mixta)
NORMAL	●	●	●		●
HEAVY DUTY (ACCIÓN FUERTE)		●	●		●
PERM PRESS (PLANCHADO PERMANENTE)		●	●		●
BEDDING (ROPA DE CAMA)			●		●
DELICATES (DELICADA)		●	●		●
REFRESH (REFRESCAR)			●		
WRINKLE AWAY (ANTIARRUGAS)			●	●	
STEAM SANITIZE (DESINFECCIÓN CON VAPOR)			●		
ACTIVE WEAR (ROPA DEPORTIVA)			●		
TIME DRY (SECADO CON TEMPORIZADOR)	●	●	●	●	
QUICK DRY (SECADO RÁPIDO)			●	●	
AIR FLUFF (TEMPERATURA AMBIENTE)			●	●	

Garantía (Estados Unidos)

SECADORA SAMSUNG

GARANTÍA LIMITADA PARA EL COMPRADOR ORIGINAL

El presente producto de la marca SAMSUNG, tal como lo provee y distribuye SAMSUNG ELECTRONICS AMERICA, INC. (SAMSUNG) y lo entrega como nuevo, en su caja de cartón original al comprador o consumidor original, está garantizado por SAMSUNG contra defectos de fabricación de los materiales y la mano de obra durante el período limitado de la garantía de:

- un (1) año para todas las piezas y la mano de obra

La presente garantía limitada comienza en la fecha original de compra y es válida únicamente para productos comprados y usados en Estados Unidos.

Para recibir el servicio técnico de la garantía, el comprador debe comunicarse con SAMSUNG con el fin de que se determine el problema y los procedimientos del servicio.

El servicio técnico de la garantía solo puede ser prestado por un centro de servicio técnico autorizado de SAMSUNG.

Se debe presentar la factura de compra original como prueba de compra a SAMSUNG o al servicio técnico autorizado de SAMSUNG.

SAMSUNG prestará servicio técnico a domicilio durante el período de la garantía sin costo, sujeto a la disponibilidad dentro de los Estados Unidos contiguos.

El servicio técnico a domicilio no está disponible en todas las áreas.

Para recibir el servicio técnico a domicilio, el producto no debe presentar obstrucciones y debe ser accesible para el agente del servicio técnico.

Si el servicio técnico no está disponible, SAMSUNG puede optar por transportar el producto hasta y desde el servicio técnico autorizado.

SAMSUNG reparará, reemplazará el producto u ofrecerá un reembolso a su criterio y sin cargo adicional, tal como se establece en la presente garantía, con piezas o productos nuevos o reacondicionados si se verifica que es defectuoso durante el período limitado de la garantía especificado anteriormente.

Todas las piezas y los productos reemplazados pasan a ser propiedad de SAMSUNG y deben ser devueltos a SAMSUNG.

Las piezas y los productos reemplazados asumen la garantía original que resta, o noventa (90) días, el período que sea el más prolongado.

Garantía (Estados Unidos)

La presente garantía limitada cubre defectos de fabricación de los materiales y la mano de obra encontrados durante el uso normal y doméstico de este producto y no será válida para lo siguiente: daños que ocurran durante el envío; entrega e instalación; aplicaciones y usos para los cuales el presente producto no fue destinado; números de serie o de producto alterados; daño cosmético o acabado exterior; accidentes, abuso, descuido, incendio, inundación, caída de rayos, u otros casos fortuitos o de fuerza mayor; uso de productos, equipos, sistemas, utilidades, servicios, piezas, suministros, accesorios, aplicaciones, instalaciones, reparaciones, cableado externo o conectores no provistos ni autorizados por SAMSUNG que dañen este producto o que acarreen problemas en el servicio; voltaje de la línea eléctrica incorrecto, fluctuaciones y sobretensión; ajustes del cliente e incumplimiento de lo establecido en el manual de instrucciones, instrucciones de mantenimiento y ambientales que están cubiertas y recomendadas en el manual de instrucciones; traslado y reinstalación del producto; problemas causados por plagas.

La presente garantía limitada no cubre problemas derivados de la corriente, el voltaje o el suministro eléctrico incorrectos, las bombillas de luz, los fusibles de la casa, el cableado de la casa, el costo del servicio técnico para recibir instrucciones o corregir errores en la instalación.

SAMSUNG no garantiza el funcionamiento ininterrumpido o sin errores del producto.

SALVO LO ESTABLECIDO EN LA PRESENTE GARANTÍA, NO EXISTEN GARANTÍAS SOBRE EL PRESENTE PRODUCTO, YA SEAN EXPRESAS O TÁCITAS, Y SAMSUNG DESCONOCE TODAS LAS GARANTÍAS QUE INCLUYEN, AUNQUE NO EN CARÁCTER TAXATIVO, CUALQUIER GARANTÍA TÁCITA DE QUE EL PRODUCTO SE ENCUENTRA EN CONDICIONES APTAS PARA LA VENTA, DE DEFRAUDACIÓN DE DERECHOS O DE QUE EL PRODUCTO SE ADECUA A LOS FINES ESPECÍFICOS PARA LOS CUALES SE ADQUIERE.

NINGÚN AVAL O GARANTÍA OTORGADOS POR PERSONA, COMPAÑÍA O CORPORACIÓN ALGUNA CON RESPECTO AL PRESENTE PRODUCTO REVESTIRÁ CARÁCTER VINCULANTE PARA SAMSUNG.

SAMSUNG NO SERÁ RESPONSABLE POR PÉRDIDAS DE INGRESOS O LUCRO CESANTE, IMPOSIBILIDAD DE GENERAR AHORROS U OBTENER OTROS BENEFICIOS, O CUALQUIER DAÑO DERIVADO DE CIRCUNSTANCIAS ESPECIALES, DAÑO IMPREVISTO O DERIVADO CAUSADO POR EL USO, USO INCORRECTO, O INCAPACIDAD PARA USAR EL PRESENTE PRODUCTO, INDEPENDIEMENTE DE LA TEORÍA LEGAL EN QUE SE FUNDE EL RECLAMO Y AUN CUANDO SE LE HAYA NOTIFICADO A SAMSUNG DE LA POSIBILIDAD DE TALES DAÑOS.

NINGÚN RESARCIMIENTO DE NINGUNA ÍNDOLE CONTRA SAMSUNG SUPERARÁ EL MONTO DE COMPRA DEL PRODUCTO VENDIDO POR SAMSUNG Y CAUSANTE DEL PRESUNTO DAÑO.

SIN LIMITAR LO PRECEDENTE, EL COMPRADOR ASUME TODO EL RIESGO Y LA RESPONSABILIDAD POR PÉRDIDA, DAÑO O LESIÓN AL COMPRADOR Y A LOS BIENES DEL COMPRADOR Y A TERCEROS Y A SUS BIENES DERIVADOS DEL USO, USO INCORRECTO O INCAPACIDAD PARA USAR EL PRESENTE PRODUCTO. LA PRESENTE GARANTÍA LIMITADA NO SE EXTENDERÁ A NINGUNA PERSONA DISTINTA DEL COMPRADOR ORIGINAL DEL PRESENTE PRODUCTO, ES INTRANSFERIBLE Y ESTABLECE SU EXCLUSIVA REPARACIÓN.

Algunos estados no permiten limitaciones en cuanto al plazo de una garantía implícita, o la exclusión o limitación de daños imprevistos o derivados, por lo tanto las limitaciones o exclusiones antedichas pueden no aplicarse en su caso. Esta garantía le otorga derechos específicos, y además puede tener otros derechos que varían según el Estado en el que se encuentre.

Para recibir servicio técnico de garantía, comuníquese con SAMSUNG a:

Samsung Electronics America, Inc.

85 Challenger Road

Ridgefield Park, NJ 07660

1-800-SAMSUNG (726-7864)

www.samsung.com/us/support

Las visitas del personal de servicio técnico para explicar funciones, mantenimiento o instalación no están cubiertas por la garantía.

Póngase en contacto con su agente del centro de llamadas Samsung para que le asesore.

Garantía (CANADÁ)

SECADORA SAMSUNG

GARANTÍA LIMITADA PARA EL COMPRADOR ORIGINAL

El presente producto de la marca SAMSUNG, tal como lo provee y distribuye SAMSUNG ELECTRONICS CANADA, INC. (SAMSUNG) y lo entrega como nuevo, en su caja de cartón original al comprador o consumidor original, está garantizado por SAMSUNG contra defectos de fabricación de los materiales y la mano de obra durante el período limitado de la garantía de:

- un (1) año para las piezas y la mano de obra

La presente garantía limitada comienza en la fecha original de compra y es válida únicamente para productos comprados y usados en Canadá.

Para recibir el servicio técnico de la garantía, el comprador debe comunicarse con SAMSUNG con el fin de que se determine el problema y los procedimientos del servicio.

El servicio técnico de la garantía solo puede ser prestado por un centro de servicio técnico autorizado de SAMSUNG.

Se debe presentar la factura de compra original como prueba de compra a SAMSUNG o al servicio técnico autorizado de SAMSUNG.

SAMSUNG prestará servicio técnico a domicilio durante el período de la garantía sin costo, sujeto a la disponibilidad dentro de Canadá.

El servicio técnico a domicilio no está disponible en todas las áreas.

Para recibir el servicio técnico a domicilio, el producto no debe presentar obstrucciones y debe ser accesible para el agente del servicio técnico.

Si el servicio técnico no está disponible, SAMSUNG puede optar por transportar el producto hasta y desde el servicio técnico autorizado.

SAMSUNG reparará, reemplazará el producto u ofrecerá un reembolso a su criterio y sin cargo adicional, tal como se establece en la presente garantía, con piezas o productos nuevos o reacondicionados si se verifica que es defectuoso durante el período limitado de la garantía especificado anteriormente.

Todas las piezas y los productos reemplazados pasan a ser propiedad de SAMSUNG y deben ser devueltos a SAMSUNG.

Las piezas y los productos reemplazados asumen la garantía original que resta, o noventa (90) días, el período que sea el más prolongado.

La presente garantía limitada cubre defectos de fabricación de los materiales y la mano de obra encontrados durante el uso normal y doméstico de este producto y no será válida para lo siguiente: daños que ocurran durante el envío; entrega e instalación; aplicaciones y usos para los cuales el presente producto no fue destinado; números de serie o de producto alterados; daño cosmético o acabado exterior; accidentes, abuso, descuido, incendio, inundación, caída de rayos, u otros casos fortuitos o de fuerza mayor; uso de productos, equipos, sistemas, utilidades, servicios, piezas, suministros, accesorios, aplicaciones, instalaciones, reparaciones, cableado externo o conectores no provistos ni autorizados por SAMSUNG que dañen este producto o que acarreen problemas en el servicio; voltaje de la línea eléctrica incorrecto, fluctuaciones y sobretensión; ajustes del cliente e incumplimiento de lo establecido en el manual de instrucciones, instrucciones de mantenimiento y ambientales que están cubiertas y recomendadas en el manual de instrucciones; traslado y reinstalación del producto; problemas causados por plagas.

La presente garantía limitada no cubre problemas derivados de la corriente, el voltaje o el suministro eléctrico incorrectos, las bombillas de luz, los fusibles de la casa, el cableado de la casa, el costo del servicio técnico para recibir instrucciones o corregir errores en la instalación.

SAMSUNG no garantiza el funcionamiento ininterrumpido o sin errores del producto.

SALVO LO ESTABLECIDO EN LA PRESENTE GARANTÍA, NO EXISTEN GARANTÍAS SOBRE EL PRESENTE PRODUCTO, YA SEAN EXPRESAS O TÁCITAS, Y SAMSUNG DESCONOCE TODAS LAS GARANTÍAS QUE INCLUYEN, AUNQUE NO EN CARÁCTER TAXATIVO, CUALQUIER GARANTÍA TÁCITA DE QUE EL PRODUCTO SE ENCUENTRA EN CONDICIONES APTAS PARA LA VENTA, DE DEFRAUDACIÓN DE DERECHOS O DE QUE EL PRODUCTO SE ADECUA A LOS FINES ESPECÍFICOS PARA LOS CUALES SE ADQUIERE.

NINGÚN AVAL O GARANTÍA OTORGADOS POR PERSONA, COMPAÑÍA O CORPORACIÓN ALGUNA CON RESPECTO AL PRESENTE PRODUCTO REVESTIRÁ CARÁCTER VINCULANTE PARA SAMSUNG.

SAMSUNG NO SERÁ RESPONSABLE POR PÉRDIDAS DE INGRESOS O LUCRO CESANTE, IMPOSIBILIDAD DE GENERAR AHORROS U OBTENER OTROS BENEFICIOS, O CUALQUIER DAÑO DERIVADO DE CIRCUNSTANCIAS ESPECIALES, DAÑO IMPREVISTO O DERIVADO CAUSADO POR EL USO, USO INCORRECTO, O INCAPACIDAD PARA USAR EL PRESENTE PRODUCTO, INDEPENDIEMENTE DE LA TEORÍA LEGAL EN QUE SE FUNDE EL RECLAMO Y AUN CUANDO SE LE HAYA NOTIFICADO A SAMSUNG DE LA POSIBILIDAD DE TALES DAÑOS.

NINGÚN RESARCIMIENTO DE NINGUNA ÍNDOLE CONTRA SAMSUNG SUPERARÁ EL MONTO DE COMPRA DEL PRODUCTO VENDIDO POR SAMSUNG Y CAUSANTE DEL PRESUNTO DAÑO.

SIN LIMITAR LO PRECEDENTE, EL COMPRADOR ASUME TODO EL RIESGO Y LA RESPONSABILIDAD POR PÉRDIDA, DAÑO O LESIÓN AL COMPRADOR Y A LOS BIENES DEL COMPRADOR Y A TERCEROS Y A SUS BIENES DERIVADOS DEL USO, USO INCORRECTO O INCAPACIDAD PARA USAR EL PRESENTE PRODUCTO. LA PRESENTE GARANTÍA LIMITADA NO SE EXTENDERÁ A NINGUNA PERSONA DISTINTA DEL COMPRADOR

ORIGINAL DEL PRESENTE PRODUCTO, ES INTRANSFERIBLE Y ESTABLECE SU EXCLUSIVA REPARACIÓN.

Garantía (CANADÁ)

Algunas provincias no permiten limitaciones en cuanto al plazo de una garantía implícita, o la exclusión o limitación de daños imprevistos o derivados, por lo que las limitaciones o exclusiones antedichas pueden no aplicarse en su caso.

Esta garantía le otorga derechos específicos, y además puede tener otros derechos que varían según la provincia en la que se encuentre.

Para recibir servicio técnico de garantía, comuníquese con SAMSUNG a:

Samsung Electronics Canada Inc.

2050 Derry Road West,

Mississauga, Ontario L5N 0B9 Canada

1-800-SAMSUNG (726-7864)

www.samsung.com/ca/support (English)

www.samsung.com/ca_fr/support (French)

Las visitas del personal de servicio técnico para explicar funciones, mantenimiento o instalación no están cubiertas por la garantía.

Póngase en contacto con su agente del centro de llamadas Samsung para que le asesore.

Notas



Scan the QR code* or visit
www.samsung.com/spsn
 to view our helpful
 How-to Videos and Live Shows

*Requires reader to be installed on your smartphone

Scan this with your smartphone

¿PREGUNTAS O COMENTARIOS?

PAÍS	LLAME AL	O VISÍTENOS EN LÍNEA EN
U.S.A	1-800-SAMSUNG (726-7864) 1-844-SAM-PAYS (726-7297)	www.samsung.com/us/support
CANADA	1-800-SAMSUNG(726-7864)	www.samsung.com/ca/support (English) www.samsung.com/ca_fr/support (French)



DC68-03170X-00