

EVERBILT™

Radon Mitigation Basin Cover



The Everbilt Radon Mitigation Basin Cover serves two pressing needs; the need for a universal gas-tight cover to serve the radon mitigation market and the need for a cover to retrofit failing sump and sewage basin covers.

The Everbilt Radon Mitigation Basin Cover is designed to cover an existing basin, providing a new heavy duty cover to properly contain and vent radon gas and odors. There is no reason to dig up your basement or garage floor to remove the existing sump or sewage basin. Simply remove old cover and install the Everbilt Radon Mitigation Basin Cover over the opening, to create a new, sealed system.

The Everbilt Radon Mitigation Basin Cover is adaptable with a variety of spaces for different connections and comes with a full range of flanges that fit every size pipe. The removable cover allows for easy access to the pump and has a clear view removable inspection plate.

Specifications

- **Cover Material:** Injection molded high density structural foam
- **Seal:** Dynaflex
- **Fittings:** Acrylonitrile butadiene styrene (ABS) and Flexible Polyvinyl chloride (PVC) thermo-plastic
- **Washers and Bolts:** 301 Stainless Steel
- **Fasteners:** 301 Stainless Steel

Store SKU #1002162762

Features and Benefits

- Passive radon mitigation
- Retro fit/repair old, failing sump or sewage basin covers
- Universal, fits over all installed basins
- Improve safety; children and pets
- Property transfers and rentals
- Eliminates odors, gas-tight seal
- Easy to install
- Top discharge and vent
- Easily supports 1,000 lbs.
- Heavy duty injection molded structural foam construction
- Comes with the Jackel SF16101-CVDT structural foam solid cover, 8-bolt
- Clear view removable inspection plate
- 1-1/2" pump discharge flange, slip connection, ABS
- 3" vent flange, threaded connection, ABS
- Weight: 15 lbs.

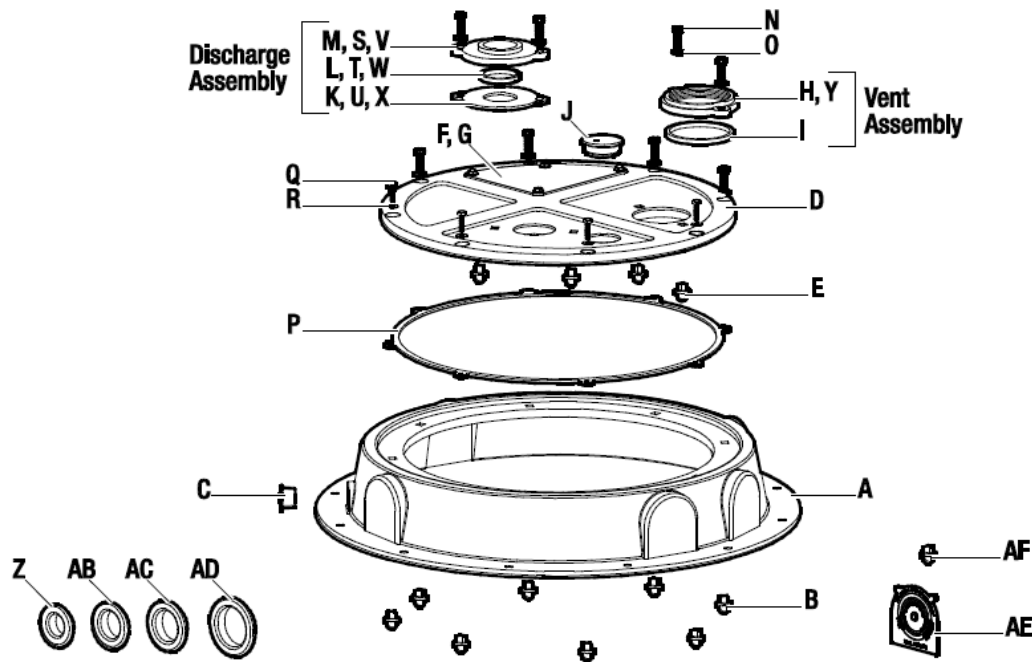
Dimensions



Please contact 1-877-297-6069 for further assistance • HOMEDEPOT.com

Radon Mitigation Basin Cover

Parts List



Part	Description	Quantity
A	Cover riser	1
B	1/4-20 Nylon enclosed nut (Preassembled to cover (A))	8
C	Drain plug	1
D	SF16314 2x3 Lid	1
E	1/4-20 Nylon enclosed nut (Preassembled to lid (D))	8
F	INSP314-C Clean inspection plate (Preassembled to lid (D))	1
G	SEAL314 Inspection plate seal (Preassembled to lid (D))	1
H	3 in. Plastic vent threaded flange (Preassembled to lid (D))	1
I	3 in. Discharge and vent O-ring (Preassembled to lid (D))	1
J	2 in. One-hole cord grommet (Preassembled to lid (D))	1
K	1.5 in. Reducer plate (Preassembled to lid (D))	1
L	1.5 in. Discharge O-ring (Preassembled to lid (D))	1
M	1.5 in. Plastic discharge flange (Preassembled to lid (D))	1
N	1/4-20 x 1 HHC-SS (Preassembled to lid (D))	8
O	1/4 in. Flat washer SS (Preassembled to lid (D))	8
P	SEAL 18-8 Cover seal	1
Q	1/4-20 x 1 HHC-SS	8
R	1/4 in. Flat washer	8
S	1.25 in. Plastic discharge flange	1
T	1.25 in. Discharge O-ring	1
U	1.25 in. Reducer plate	1
V	2 in. Discharge flange	1
W	2 in. Discharge O-ring	1
X	Reducer plate blank	1
Y	2 in. Plastic threaded vent flange	1
Z	E100H Rubber hub for 1 in. pipe	1
AB	E125H Rubber hub for 1-1/4 in. pipe	1
AC	E150H Rubber hub for 1-1/2 in. pipe	1
AD	E200H Rubber for 2 in. pipe	1
AE	Drill locator	1
AF	Extra 1/4-20 Nylon enclosed nuts	4



Please contact 1-877-297-6069 for further assistance • HOMEDEPOT.com