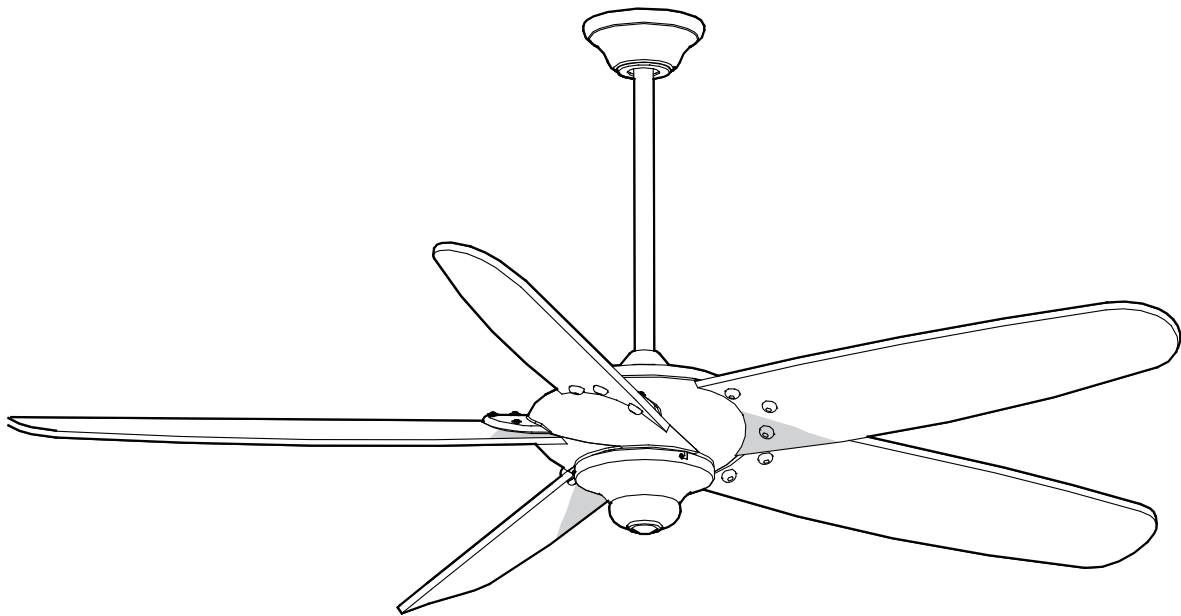


USE AND CARE GUIDE

ALTURA II 68-INCH CEILING FAN



Questions, problems, missing parts? Before returning to the store,
call Home Decorators Collection Customer Service
8 a.m. - 6 p.m., EST, Monday-Friday.

1-800-986-3460

HOMEDEPOT.COM/HOMEDECORATORS

THANK YOU

We appreciate the trust and confidence you have placed in Home Decorators Collection through the purchase of this ceiling fan. We strive to continually create quality products designed to enhance your home. Visit us online to see our full line of products available for your home improvement needs. Thank you for choosing Home Decorators Collection!

Table of Contents

Table of Contents	2	Assembly	7
Safety Information	2	Operation	14
Warranty	3	Care and Cleaning	16
Pre-Installation	3	Troubleshooting	16
Installation.....	6		

Safety Information

READ AND SAVE THESE INSTRUCTIONS.

1. To reduce the risk of electric shock, ensure the electricity has been turned off at the circuit breaker or fuse box before you begin.
2. All wiring must be in accordance with the National Electrical Code ANSI/NFPA 70-1999 and local electrical codes. Electrical installation should be performed by a qualified licensed electrician.
3. The outlet box and support structure must be securely mounted and capable of reliably supporting a minimum of 50 lbs. (22.7kg). Use only UL-listed outlet boxes marked "Acceptable for Fan Support of 50 lbs. (22.7kg) or less."
4. The fan must be mounted with a minimum of 7 ft (2.1 m) of clearance from the trailing edge of the blades to the floor.
5. Do not place objects in the path of the blades.
6. To avoid personal injury or damage to the fan and other items, use caution when working around or cleaning the fan.
7. After making electrical connections, spliced conductors should be turned upward and pushed carefully up into the outlet box. The wires should be spread apart with the grounded conductor and the equipment-grounding conductor on one side of the outlet box.
8. All set screws must be checked and retightened where necessary before installation.



WARNING: To reduce the risk of personal injury, do not bend the blade brackets (also referred to as flanges) during assembly or after installation. Do not insert objects in the path of the blades.



WARNING: To reduce the risk of fire or electric shock, do not use this fan with any solid-state speed control device.



WARNING: To avoid possible electrical shock, turn the electricity off at the main fuse box before wiring. If you feel you do not have enough electrical wiring knowledge or experience, contact a licensed electrician.



WARNING: To reduce the risk of fire, electric shock or personal injury, mount to outlet box marked "Acceptable for fan support of 50lbs. (22.7 Kg) or less", and use screws provided with the outlet box.



WARNING: Electrical diagrams are for reference only. If you are using a light kit, refer to the light kit instructions manual to make the electrical connections. Optional use of any light kit shall be UL-listed and marked suitable for use with this fan.



WARNING: To reduce the risk of fire or electric shock, this fan should only be used with fan speed control part no. UC7305R, manufactured by Rhine Industrial Co., Ltd.



CAUTION: To reduce the risk of personal injury, use only the screws provided with the outlet box.



CAUTION: Changes or modifications not expressly approved by the party responsible for compliance could void the user's authority to operate the equipment.

Warranty

The supplier warrants the fan motor to be free from defects in workmanship and material present at time of shipment from the factory for a life-time after the date of purchase by the original purchaser. The supplier also warrants that all other fan parts, excluding any glass or acrylic blades, to be free from defects in workmanship and material at the time of shipment from the factory for a period of two years after the date of purchase by the original purchaser. We agree to correct such defects without charge or at our option replace with a comparable or superior model if the product is returned. To obtain warranty service, you must present a copy of the receipt as proof of purchase. All costs of removing and reinstalling the product are your responsibility. Damage to any part such as by accident or misuse or improper installation or by affixing any accessories, is not covered by this warranty. Because of varying climatic conditions this warranty does not cover any changes in brass finish, including rusting, pitting, corroding, tarnishing, or peeling. Brass finishes of this type give their longest useful life when protected from varying weather conditions. A certain amount of "wobble" is normal and should not be considered a defect. Servicing performed by unauthorized persons shall render the warranty invalid. There is no other express warranty. Home Decorators Collection hereby disclaims any and all warranties, including but not limited to those of merchantability and fitness for a particular purpose to the extent permitted by law. The duration of any implied warranty which cannot be disclaimed is limited to the time period as specified in the express warranty. Some states do not allow a limitation on how long an implied warranty lasts, so the above limitation may not apply to you. The retailer shall not be liable for incidental, consequential, or special damages arising out of or in connection with product use or performance except as may otherwise be accorded by law. Some states do not allow the exclusion of incidental or consequential damages, so the above exclusion or limitation may not apply to you. This warranty gives specific legal rights, and you may also have other rights which vary from state to state. This warranty supersedes all prior warranties. Shipping costs for any return of product as part of a claim on the warranty must be paid by the customer.

Contact the Customer Service Team at 1-800-986-3460 or visit www.HOMEDEPOT.COM/HOMEDECORATORS.

Pre-Installation

SPECIFICATIONS

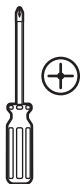
Size	Speed	Volts	Fan Power Consumption (without lights) WATT	Airflow CFM	Airflow Efficiency (Higher Is Better) CFM/WATT	Net Weight	Gross Weight	Cube Feet
68 in.	Low	120	27	3813	141	31.7 lbs (14.4 kgs)	36.38 lbs (16.5 kgs)	3.5'
	Medium		56	6023	107			
	High		98	8439	86			



NOTE: These are approximate measures. They do not include the Amps and Wattage used by the light kit.



TOOLS REQUIRED



Phillips screwdriver



Flat blade screwdriver



Adjustable wrench



Electrical tape



Wire cutter



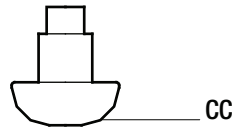
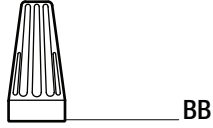
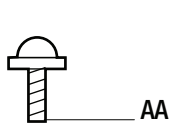
Step ladder

Pre-Installation (continued)

HARDWARE INCLUDED



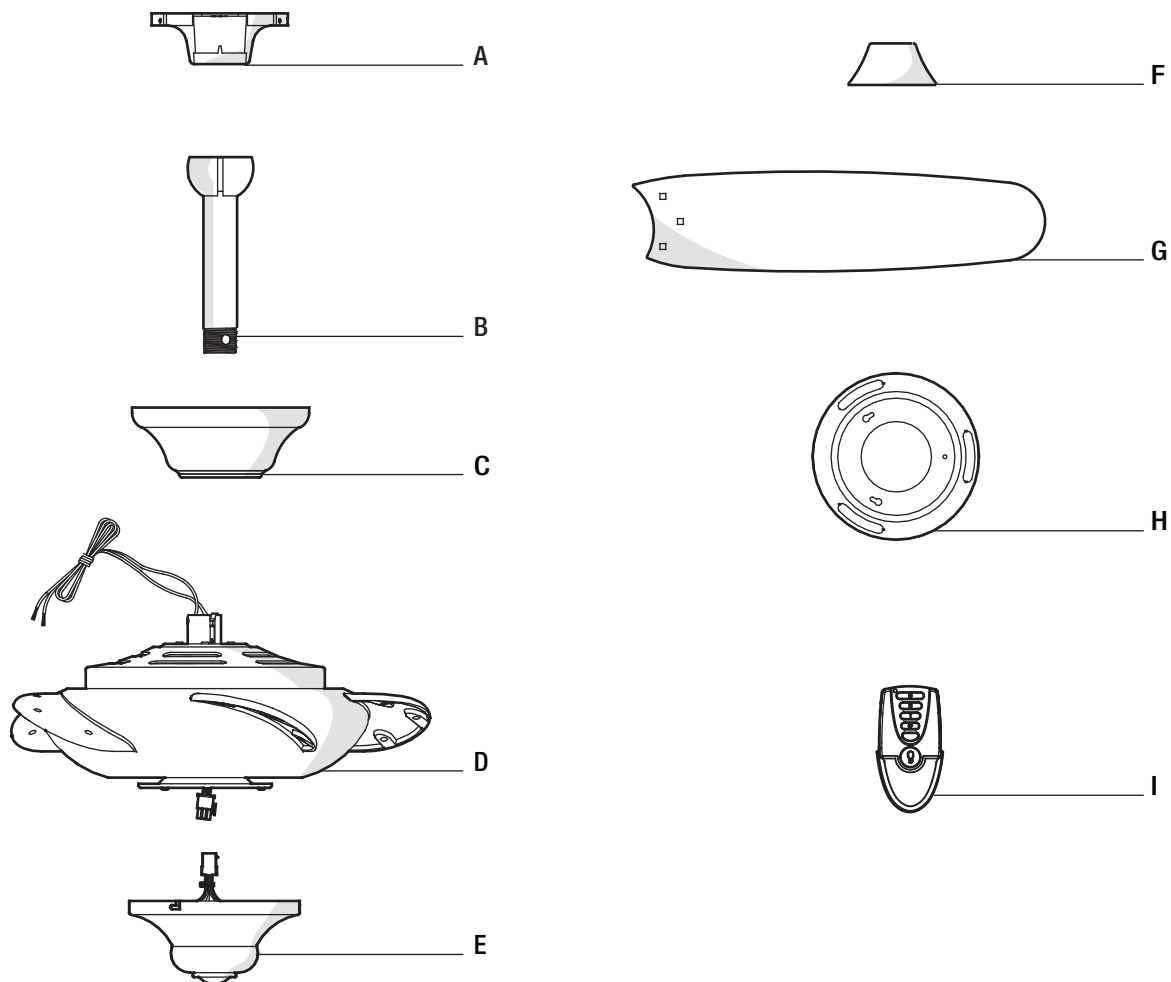
NOTE: Hardware not shown to actual size.



Part	Description	Quantity
AA	Blade attachment screws	15
BB	Plastic wire connecting nut	3
CC	Decorative nut	15

Pre-Installation (continued)

PACKAGE CONTENTS



Part	Description	Quantity
A	Slide-on mounting bracket (inside canopy)	1
B	Ball/downrod assembly	1
C	Canopy with canopy ring attached	1
D	Fan-motor assembly	1
E	Switch cup (receiver included)	1

Part	Description	Quantity
F	Decorative motor collar cover	1
G	Blade	5
H	Switch cup adaptor	1
I	Remote control (battery included)	1



IMPORTANT: This product and/or components are governed by one or more of the following U.S. Patents: 5,947,436; 5,988,580; 6,010,110; 6,046,416, 6,210,117 and other patents pending.

Installation

MOUNTING OPTIONS

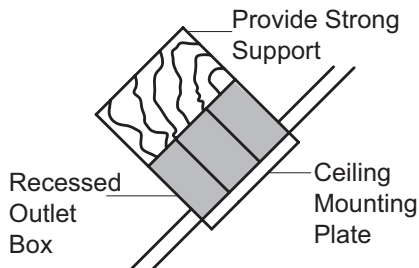


WARNING: To reduce the risk of fire, electric shock or personal injury, mount to outlet box marked "Acceptable for fan support of 50lbs. (22.7kg) or less", and use screws provided with the outlet box. An outlet box commonly used for the support of lighting fixtures may not be acceptable for fan support and may need to be replaced. If in doubt, consult a qualified electrician.

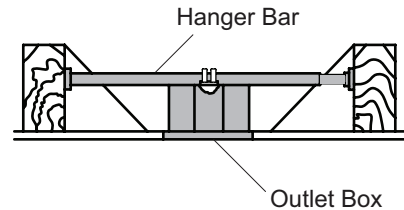
If your ceiling fan does not have an existing UL-listed mounting box, then install one using the following instructions:

- Disconnect the power by removing the fuses or turning off the circuit breakers.
- Secure the outlet box directly to the building structure. Use the appropriate fasteners and materials. The outlet box and its bracing must be able to fully support the weight of the moving fan (at least 50 lbs.). Do not use a plastic outlet box.

The illustrations below show three different ways to mount the outlet box.



NOTE: You may need a longer downrod to maintain proper blade clearance when installing on a steep, sloped ceiling. The maximum angle allowable is 30° away from horizontal.



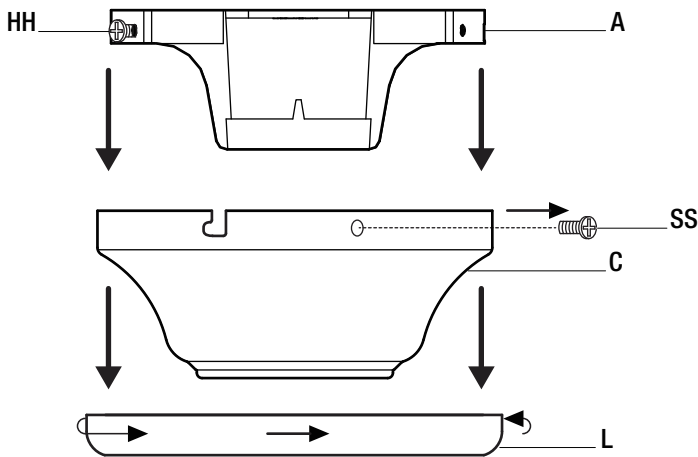
If the canopy touches the downrod, then remove the decorative canopy bottom cover, and turn the canopy 180° before attaching the canopy to the mounting plate.

To hang your fan where there is an existing fixture but no ceiling joist, you may need an installation hanger bar as shown above (available at any Home Depot store).

Assembly - Standard Ceiling Mount

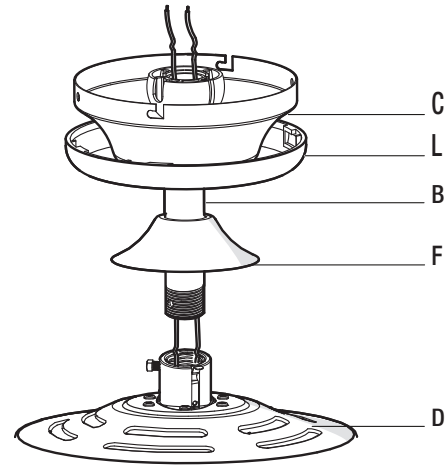
1 Preparing for mounting

- Remove the canopy ring (L) from the canopy (C) by turning the ring to the right until it unlocks.
- Remove the mounting bracket (A) from the canopy (C) by loosening the two screws (HH) located in the “L shaped” slots
- Remove and save the two non-slotted screws (SS) in the round holes. This will enable you to remove the mounting bracket (A).



2 Routing the wires

- Route the wires exiting the top of the fan motor (D) into the decorative motor collar cover (F) and through the canopy ring (L).
- Make sure the slot openings are on top and route the wires through the canopy (C) and then through the ball/downrod assembly (B).



3 Assembling the fan

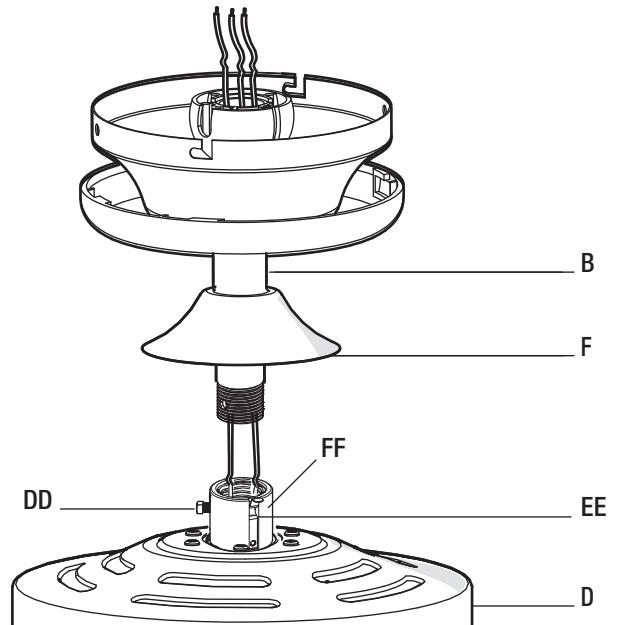


CAUTION: To ensure wobble-free operation and to avoid damage to the fan, the downrod (B) and the setscrew (DD) must be completely tightened



NOTE: This fan is equipped with a safety tab (EE). Should the setscrew (DD) ever become loose while the fan is running in reverse, the safety tab (EE) will engage and stop the fan from falling.

- Loosen, but do not remove, the setscrew (DD) on the collar (FF) on top of the fan-motor assembly (D).
- Install the downrod (B) by inserting it into the motor collar (FF), and turning it clockwise until it is tight.
- Re-tighten the setscrew (DD) on the collar (FF) on top of the fan motor assembly (D).



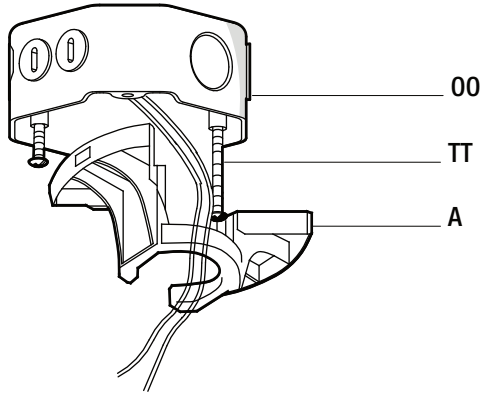
Assembly - Hanging the Fan

1 Attaching the fan to the electrical box



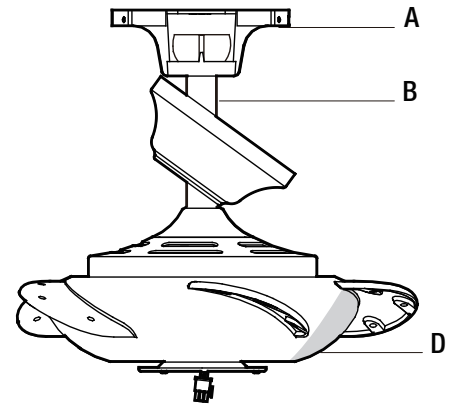
WARNING: To reduce the risk of fire, electric shock or personal injury, mount to outlet box marked "acceptable for fan support of 50 lbs. (22.7kg) or less", and use screws provided with the outlet box.

- Pass the 120-Volt supply wires through the center hole in the mounting bracket (A).
- Install the ceiling mounting bracket (A) on the outlet box (OO) by sliding the mounting bracket (A) over the two screws (TT) provided with the outlet box (OO). If necessary, use leveling washers (not included) between the mounting bracket (A) and the outlet box (OO). Note that the flat side of the mounting bracket (A) is toward the outlet box (OO).
- Securely tighten the two mounting screws (TT).



2 Hanging the fan

- Carefully lift the fan motor assembly (D) up to the mounting bracket (A).
- Seat the hanger ball portion of the ball/downrod assembly (B) in the mounting bracket (A) socket. Ensure that the tab on the mounting bracket (A) socket is properly seated in the groove in the hanger ball.



Assembly - Hanging the Fan (continued)

3 Making the electrical connection



WARNING: Each wire nut supplied with this fan is designed to accept up to one 12-gauge house wire and two wires from the fan. If you have larger than 12-gauge house wiring or more than one house wire to connect to the fan wiring, consult an electrician for the proper size wire nuts to use.



IMPORTANT: Use the plastic wire connectors (BB) supplied with your fan. Secure the connectors with electrical tape and ensure there are no loose strands or connections.

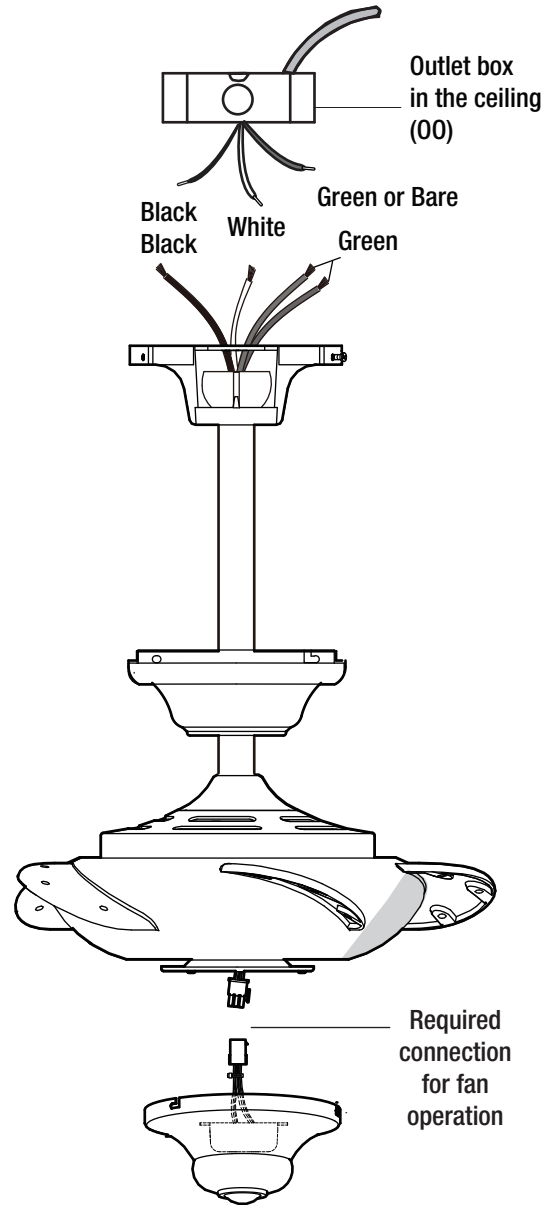


IMPORTANT: If after this step, you decide to check that the electrical connections have been successful, it is critical to attach the switch cup using the quick connector. The fan will not operate unless the switch cup is connected to the fan.



NOTE: The fan comes with 78 in. lead wires for use with an extended ball/downrod assembly. If using the 18 in. ball/downrod assembly (B) provided, you can cut the lead wires to your desired length.

- The fan comes with 78 in. lead wires for use with an extended ball/downrod assembly. If using the 18 in. ball/downrod assembly (B) provided, you can cut the lead wires to your desired length. This will make extra room in the canopy (C), if you do not wish to cut the wires, you will need to neatly wrap them.
- Connect the fan motor green wires to the household green or bare wire using a wire connecting nut (BB).
- Connect the fan motor white wire to the household white wire using a wire connecting nut (BB).
- Connect the fan motor black wire to the household black wire using a wire connecting nut (BB).
- Secure each wire connecting nut using electrical tape.
- Turn the wire connecting nuts (BB) upward and push the wiring into the outlet box (OO).



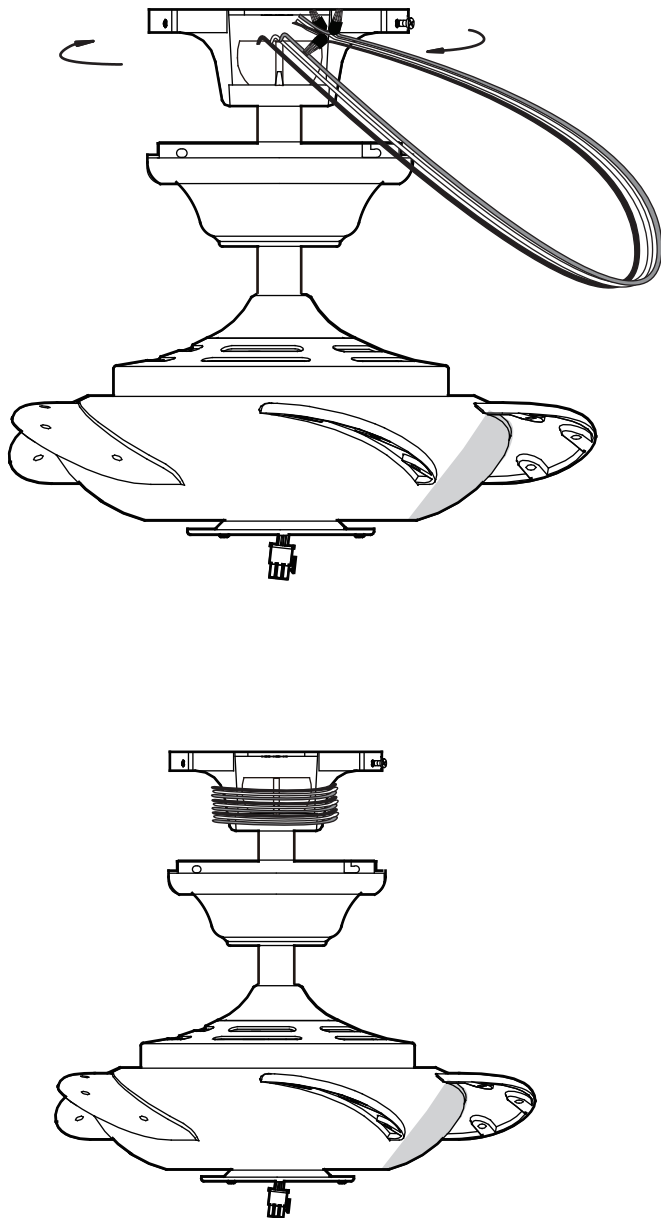
Assembly - Hanging the Fan (continued)

4 Wrapping the extra wire



NOTE: Follow this step **ONLY** if you did not cut the extra length off from the wires coming from the ceiling fan.

- Gently wrap the excess wire around the mounting bracket.
- Secure with electrical tape.



5 Mounting the fan-motor assembly (standard mount)

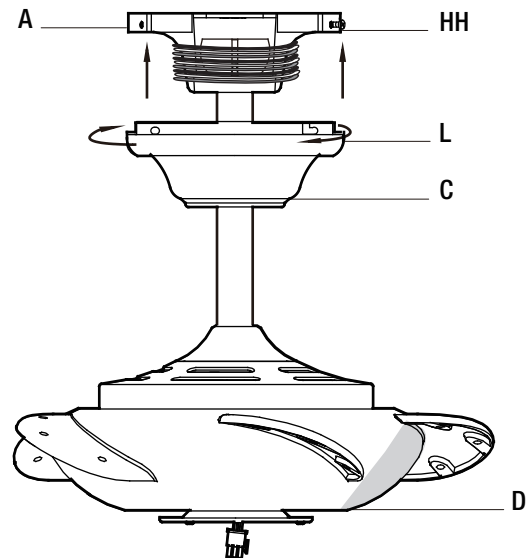


WARNING: When using the standard ball/downrod mounting, the tab in the ring at the bottom of the mounting bracket must rest in the groove of the hanger ball. Failure to properly seat the tab in the groove could cause damage to the wiring.



WARNING: The locking slots of ceiling canopy are provided only as an aid to mounting. Do not leave the fan assembly unattached until all four canopy screws are engaged and firmly tightened.

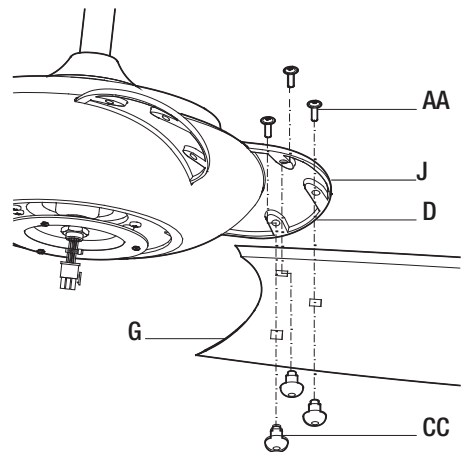
- Align the locking slots of the ceiling canopy (C) with the two screws (HH) in the slide-on mounting bracket (A). Push up to engage the slots, and turn clockwise to lock the canopy (C) in place.
- Firmly tighten the two mounting screws (HH).
- Install the two mounting screws (SS) (saved from assembly step 1 "Preparing for mounting" into the holes in the canopy (C) and tighten firmly.
- Install the decorative canopy ring (L) by aligning the ring's slots with the screws in the canopy (C). Rotate the canopy ring (L) counter-clockwise to lock it in place.



Assembly - Hanging the Fan (continued)

6 Attaching the fan blades

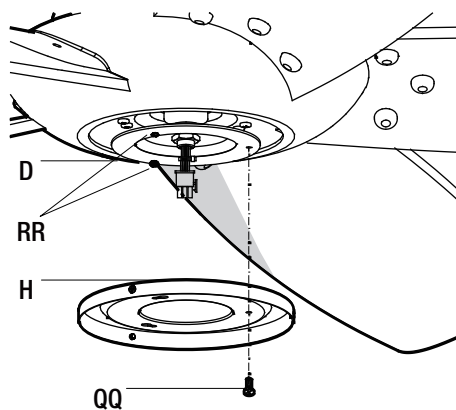
- Attach blade (G) to blade bracket (J) using the decorative nuts (CC) and blade attachment screws (AA) provided. Insert a blade attachment screw (AA) through a hole in the blade (G) and the blade bracket (J) and into the decorative nut (CC). Repeat for the two remaining holes in the blade (G).
- Tighten each screw (AA) securely.
- Repeat these steps for the remaining blades.



Assembly - Attaching the Accessories

1 Attaching the switch cup adaptor

- Remove one screw (QQ) from the black bracket below the fan motor assembly (D). Loosen, but do not remove the other two screws (RR).
- Align the key hole slots in the switch cup adaptor (H) with the two screws (RR) in the black bracket.
- Turn the switch cup adaptor (H) clockwise until the two screws (RR) are situated in the narrow end of the keyholes.
- Re-install the one screw (QQ) that was removed in first step. Tighten all three screws firmly.

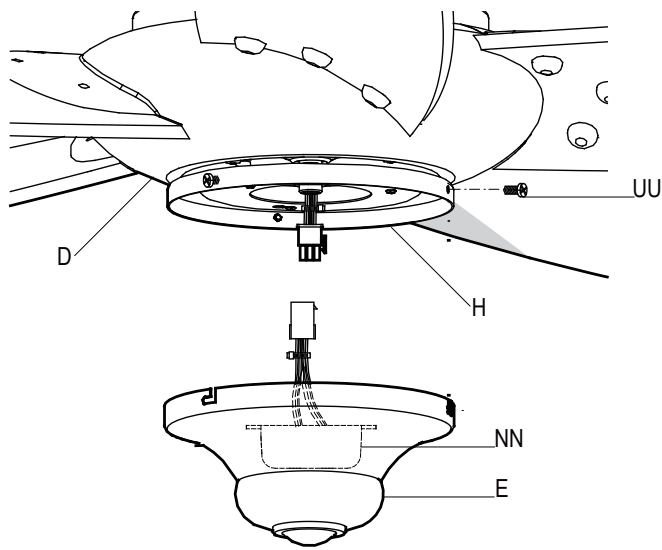


2 Attaching the switch cup

CAUTION: To reduce the risk of electric shock, disconnect the electrical supply circuit to the fan before installing the switch cup.

IMPORTANT: It is critical to attach the switch cup using the quick connector. The fan will not operate unless the switch cup is connected to the fan.

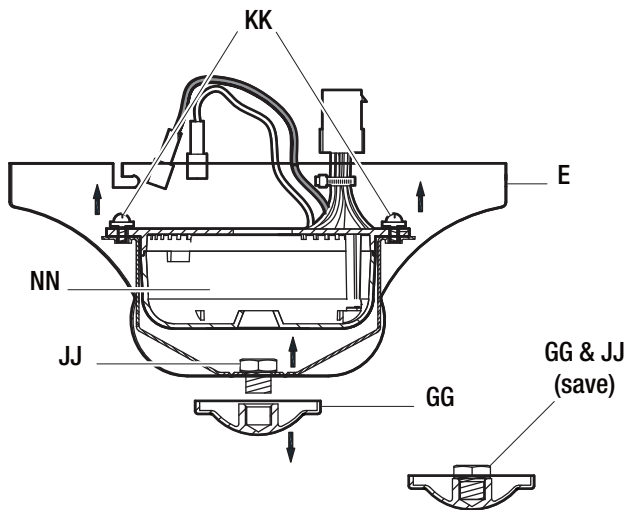
- Remove one screw (UU) from the switch cup adaptor (H). Loosen but do not remove the other two screws (UU).
- Connect the molded adaptor plug of the receiver (NN) in the switch cup (E) with the molded adaptor of the fan motor assembly (D).
- Aligning the "L" shape holes on the switch cup (E) with the screws on the switch cup adaptor (H). Turn the switch cup (E) to hold it in position.
- Install the other screw (UU) that was removed in the first step. Tighten all three screws (UU) securely.



Optional Installation - Installing the Light Kit to the Altura Fan

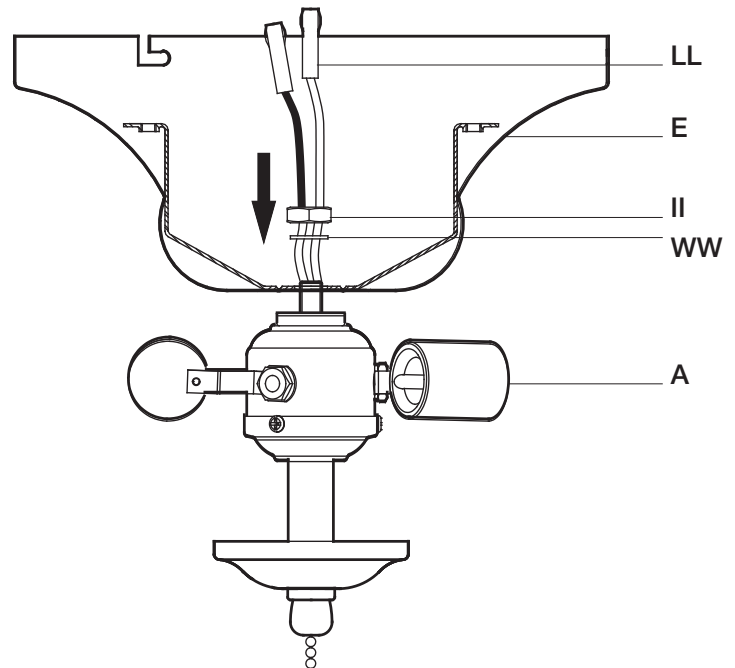
1 Removing the receiver from the switch cup

- Remove the two screws (KK save for later use) that hold the receiver (NN) in place, and lift the receiver (NN) out of the switch cup (E).
- Hold the threaded retaining nut (JJ) with one hand and turn the bottom cover (GG) counterclockwise with the other.
- Remove the threaded retaining nut (JJ) from the switch cup (E) and reattach it to the bottom cover (GG) (save).



2 Wiring the light kit to the fan

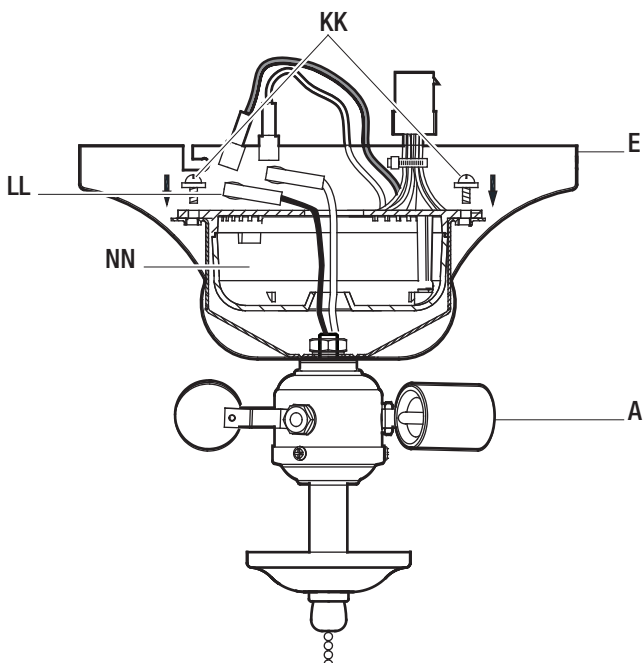
- Remove the lockwasher (WW) and hex nut (II) from the threaded nipple of the light kit fitter assembly and save them for later use.
- Insert the black wire and the white wire from the light kit through the center hole of the switch cup (E) one at a time.
- Slide the ceiling fan switch cup (E) onto the threaded nipple on the top of the light kit.
- Insert the black wire and white wire through the lockwasher (HH) and hex nut (II). Tighten them securely.



Optional Installation - (continued)

3 Reinstalling the receiver in the switch cup

- Insert the black and white wires (LL) from the light kit (A) through the center hole of the receiver (NN) one at a time.
- Insert the receiver (NN) into the switch cup and align the tabs on the receiver (NN) with the posts inside the switch cup (E).
- Attach the receiver (NN) to the switch cup (E) using the screws (KK saved from step 2). Tighten securely.
- Attach the white wire from the receiver to the white wire from the light kit (A).
- Attach the blue wire from the receiver to the black wire from the light kit (A).



4 Attaching the switch cup and light kit to the fan

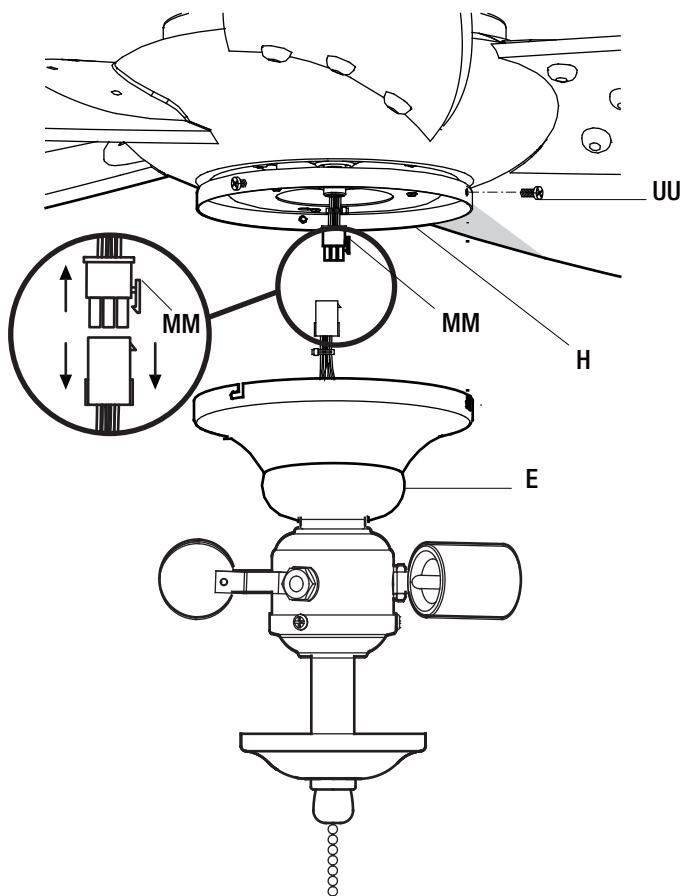


CAUTION: To reduce the risk of electric shock, disconnect the electrical supply circuit to the fan before installing the switch cup.



IMPORTANT: It is critical to attach the switch cup using the quick connector. The fan will not operate unless the switch cup is connected to the fan.

- Remove one screw (UU) from the switch cup adaptor (H). Loosen but do not remove the other two screws (UU).
- Connect the molded adaptor plug of the receiver (NN) in the switch cup (E) with the molded adaptor of the fan motor assembly (D).
- Aligning the "L" shape holes on the switch cup (E) with the screws on the switch cup adaptor (H). Turn the switch cup (E) to hold it in position.
- Install the other screw (UU) that was removed in the first step. Tighten all three screws (UU) securely.
- Refer to your light kit instructions to finish light kit installation.



Operating Your Fan and Remote Control

Operating the fan



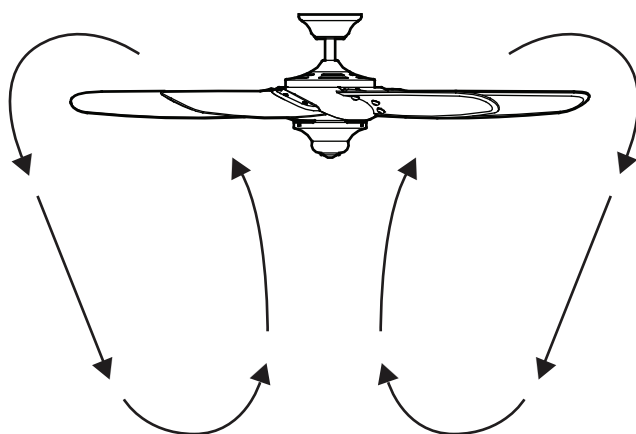
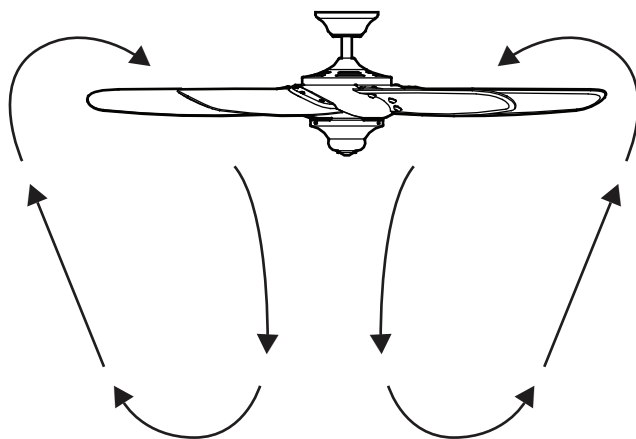
NOTE: Do not wait for the fan to stop before pressing the reverse button. The fan will not reverse direction if the fan is not moving.

Remote Control - Your fan is equipped with a remote control to operate the speed and lights of your new ceiling fan.

Speed setting for warm or cool weather depends on factors such as the room size, ceiling height, number of fans and so on.

Warm weather - (Forward) A downward airflow creates a cooling effect. This allows you to set your air conditioner on a higher setting without affecting your comfort.

Cool weather - (Reverse) An upward airflow moves warm air off of the ceiling. This allows you to set your heating unit on a lower setting without affecting your comfort.



Setting the code on the remote control

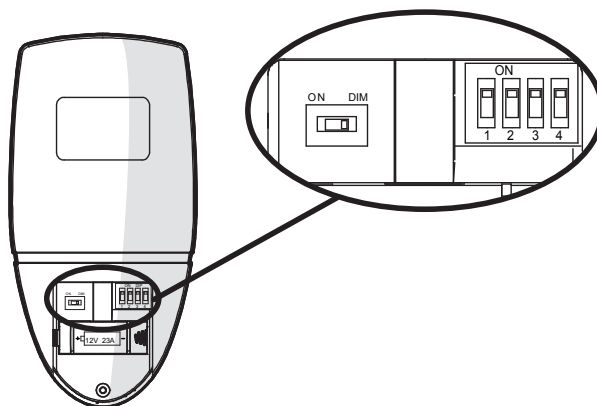


NOTE: This remote is equipped with 16 code combinations. To prevent possible interference from or to other remote units, such as garage door openers, car alarms, or security systems, simply change the combination code. The code switch marked ON/DIM is for dimming control of the lights: Set the code switch to ON to allow for no dimming of the lights such as for fluorescent bulbs. Set the code switch to DIM to allow for dimming of the lights.



NOTE: If using a light kit, the light switch located on the light kit should be at "ON" position before operating the remote control.

- Remove the battery cover by pressing firmly on the arrow and sliding the cover off.
- Slide the code switches to your choice of either up or down. The factory setting is up.
- Install a 12-V battery (included)
- Replace the battery cover on the remote control.



Operating Your Fan and Remote Control

Learning process



NOTE: After the AC power is on, do not press any other button on the remote control before pressing the “FAN OFF” button (VV). Doing so will cause the procedure to fail.



NOTE: The remote control can learn multiple receivers. Make sure no other receivers are operating during the learning process. Separate the fan power switches by approximately 2 meters.

- Turn the main power source off to begin the learning process.
- Return the power to the fan.
- Within 60 seconds of turning the fan’s power ON, press and hold the “FAN OFF” button (VV) on your remote control for 5 seconds. Once the receiver has detected the set frequency, the down light of your fan, if applicable, will blink twice. If your fan is currently on, the fan will stop running. If your fan is currently off, the fan will move forward at medium speed.

Remote control operation

Light/Dimmer button (XX) = Press and release the button immediately to turn on or turn off the light. Press and hold the button to dim or brighten the light to the desired level and then release.

(For tungsten bulbs only and down light function, turn the switch to “DIM”.)

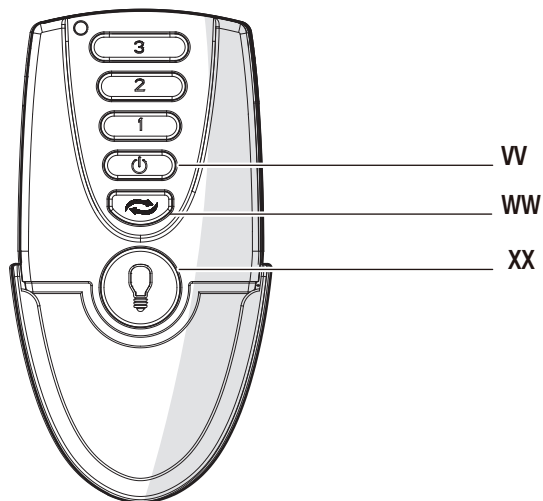
1 = Low speed

2 = Medium speed

3 = High speed

Off button (VV)= Power off

Reverse button (WW) = Press and release the button immediately to set the fan air flow direction up or down.



Care and Cleaning



WARNING: Make sure the power is off before cleaning your fan.

- Because of the fan's natural movement, some connections may become loose. Check the support connections, brackets, and blade attachments twice a year. Make sure they are secure. It is not necessary to remove the fan from the ceiling.
- Clean your fan periodically to help maintain its new appearance over the years. Do not use water when cleaning, as this could damage the motor, or the wood, or possibly cause an electrical shock. Use only a soft brush or lint-free cloth to avoid scratching the finish.
- You can apply a light coat of furniture polish to the wood for additional protection and enhanced beauty. Cover small scratches with a light application of shoe polish.
- You do not need to oil your fan. The motor has permanently-lubricated sealed ball bearings.

Troubleshooting

Problem	Solution
The fan will not start	<ul style="list-style-type: none"><input type="checkbox"/> Check the main and branch circuit fuses or breakers.<input type="checkbox"/> Check the line wire connections to the fan and switch wire connections in the switch housing.<input type="checkbox"/> Check the battery in the remote control.<input type="checkbox"/> Ensure you are in the normal range of 10-20 feet.<input type="checkbox"/> Remember to turn off the power supply before checking the dip switch settings.
The fan is noisy	<ul style="list-style-type: none"><input type="checkbox"/> Ensure all motor housing screws are snug.<input type="checkbox"/> Ensure the screws that attach the fan blade bracket to the motor hub are tight.<input type="checkbox"/> Ensure the wire nut connections are not rattling against each other or the interior wall of the switch housing.<input type="checkbox"/> Allow a 24-hour "breaking in" period. Most noises associated with a new fan disappear during this time.<input type="checkbox"/> If you are using the Ceiling Fan light kit, ensure the screws securing the glassware are tight. Check that the light bulbs are also secure.<input type="checkbox"/> Ensure the canopy is a short distance from the ceiling. It should not touch the ceiling.<input type="checkbox"/> Ensure your outlet box is secure and rubber isolator pads were used between the mounting plate and outlet box.
The fan wobbles	<ul style="list-style-type: none"><input type="checkbox"/> Check that all blade and blade arm screws are secure.<input type="checkbox"/> Most fan wobble problems are caused when blade levels are unequal. Check this level by selecting a point on the ceiling above the tip of one of the blades. Measure from a point on the center of the blade to the point on the ceiling. Rotate the fan until the next blade is positioned for measurement, and measure from the same point on each blade to the ceiling. Repeat for each blade. Any measurement deviation should be within 1/8 in. Run the fan for ten minutes. If the fan continues to wobble please contact Home Decorators Collection Customer Service and a balancing kit will be sent to you at no charge.

This equipment has been tested and found to comply with the limits for a Class B digital device, pursuant to Part 15 of the FCC Rules. These limits are designed to provide reasonable protection against harmful interference in a residential installation. This equipment generates uses and can radiate radio frequency energy and, if not installed and used in accordance with the instructions, may cause harmful interference to radio communications. However, there is no guarantee that interference will not occur in a particular installation. If this equipment does cause harmful interference to radio or television reception, which can be determined by turning the equipment off and on, the user is encouraged to try to correct the interference by one or more of the following measures:

- Reorient or relocate the receiving antenna.
- Increase the separation between the equipment and receiver.
- Connect the equipment into an outlet on a circuit different from that to which the receiver is connected.
- Consult the dealer or an experienced radio/TV technician for help.

CAUTION:

Any changes or modifications not expressly approved by the grantee of this device could void the user's authority to operate the equipment.

This device complies with Part 15 of the FCC Rules. Operation is subject to the following two conditions:

- (1) This device may not cause harmful interference, and
- (2) this device must accept any interference received, including interference that may cause undesired operation.

HOME DECORATORS COLLECTION

Questions, problems, missing parts? Before returning to the store,
call Home Depot Customer Service
8 a.m. - 6 p.m., EST, Monday-Friday

1-800-986-3460

HOMEDEPOT.COM/HOMEDECORATORS

Retain this manual for future use.