



WhisperRecessed LED™ Ventilation Fan



- ENERGY STAR® rated architectural grade recessed fan/LED light
- Ideal for use in the bathroom, living room or laundry room
- Quiet, energy efficient and powerful 80 CFM ventilation hidden above the ceiling
- Includes (1) replaceable 11W, ENERGY STAR® 2.0 certified, GU24 base LED lamp
- Ultra energy efficient LED lamp uses up to 40% less energy than CFLs
- LED lamp is dimmable
- Beautiful lighting with 6-1/2" aperture and advanced luminaire design

ADDITIONAL BENEFITS

- Can be used to comply with ASHRAE 62.2, LEED, CALGreen*, California Title 24 and Washington VIAQ Code
- Integrated 4" or 6" duct adapter
- UL listed for tub/shower enclosure when GFCI protected
- IC rated
- 5-year warranty on LED, 3-years on parts

*Can be used to comply with CALGreen when controlled by the Panasonic Condensation Sensor Plus.

The Design Solution for Fan/LED Light Combinations

WhisperRecessed LED
VENTILATION FAN

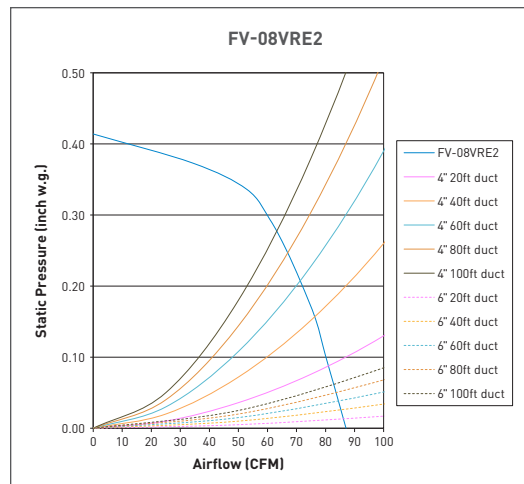
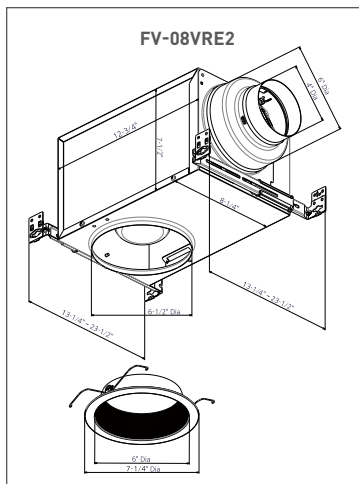


FV-08VRE2



New LED Lamp!

INCLUDED: One 11 Watt
GU24 base LED lamp/
2700 Kelvin Warm White/
>90CRI/750 lumens/68 LPW/
ENERGY STAR 2.0 certified/
25,000 hours rated average life.



	WhisperRecessed LED	FV-08VRE2	
Characteristics (HVI tested data for 0.1" S.P.)	Static Pressure in inches w.g.	0.1	0.25
	Air Volume (CFM)	80	66
	Noise (sones)	1.0	0.8
	Power Consumption (watts)	18.5	17.6
	Energy Efficiency (CFM/Watt)	4.4	3.8
	Speed (RPM)	1342	1480
	Current (amps)	0.15	0.15
	MAX. Current (amps)	0.19	
	Power Rating (V/Hz)	120/60	
	Specifications	Motor Type	AC
Type of Motor Bearing		Ball	
Thermal Fuse Protection		Yes	
Blower Wheel Type		Sirocco	
ENERGY STAR Qualified		Yes	
Installation	Duct Diameter (Inches)	4" or 6"	
	Housing Collar Opening (Inches)	6-1/2" Round	
	Trim Outer Diameter (Inches)	7-1/4" Round	
Light Specifications	Lamp Watts	1 x 11	
	Lumens (lm)	750	
	Lumens Per Watt (LPW)	68	
	Color Rendering Index	92	
	Color Temperature (Kelvin)	2,700	
	Rated Life (hours)	25,000	
	Lamp Model # (Green Creative)	11BR30G4DIM/927/GU24	
	Type of Lamp Socket	GU24	
Shipping	Gross Weight (lbs)	10.4	
	Approved Code/Standard/ Regulation	UL tub/Shower Enclosure	Yes
CALGreen		Yes*	
Washington VIAQ Code		Yes	
California Title 24 Compliant		Yes	
Mfg in ISO 9001 Certified Facility		Yes	

*Can be used to comply with CALGreen when controlled by the Panasonic Condensation Sensor Plus.

NOTE: 0.25" w.g. = Installed Performance



**Panasonic Eco Solutions of North America
Eco Products Division**

Two Riverfront Plaza
Newark, NJ 07102

us.panasonic.com/ventfans

For Order Information

PHONE: 866-292-7299

FAX: 888-553-0723

ventfans@us.panasonic.com