

Arcus / FUS-1011

Single Lever Basin Bathroom Faucet

Chrome / Oil Rubbed Bronze / Satin Nickel Finishes

Kräus®

SPECIFICATION SHEET

Material

Body: Brass
Handle: Zinc
Waterway: Brass

Faucet Type

Single Lever Basin

Cartridge

Brand: Ceramind
Size: 25mm
Style: Lever

Mounting

Holes: 1 Hole
Type: Bolt and U-Washer

Waterlines

Type : Neoperl
Flexible Waterlines
Connections: 3/8"
Materials: Braided Stainless Steel
Factory Installed

Aerator

Brand: Neoperl/1.5GPM
Name: Perlator Honeycomb
Flow Rate: 1.5gpm (5.7L/min) @ 60 psi

Dimensions

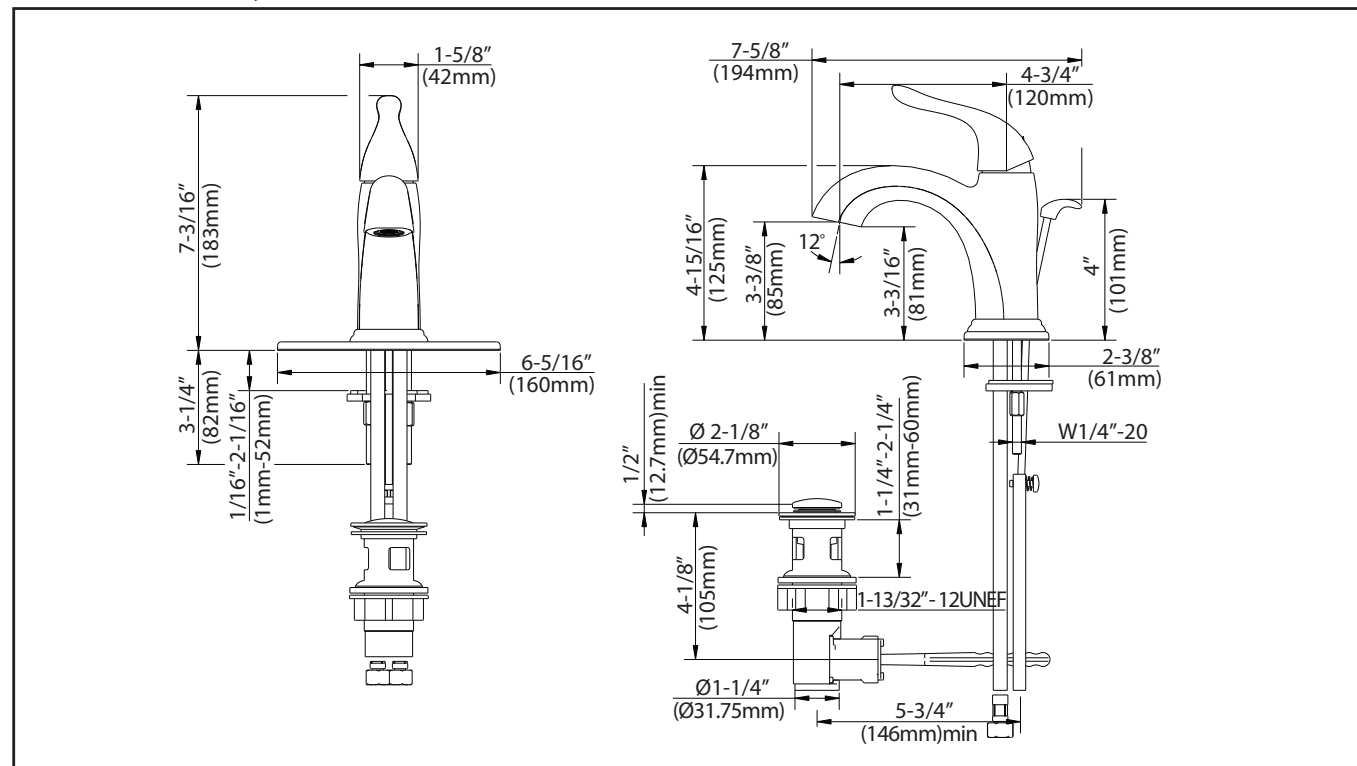
Faucet Dimensions: 7 1/4" x 4 3/4" x 6 1/4"

Accessories Included

Lift Rod Drain, Aerator Key, Cartridge Key, Hex Wrench, Deck Plate

Kraus Limited Lifetime Warranty: See website for details www.kraususa.com

1.800.775.0703 / customerservice@kraususa.com



Listing: cUPC, NSF, AB1953, EPA, CALGreen, MASS, FTC, DOE, CEC, ADA

REV. December 8, 2015