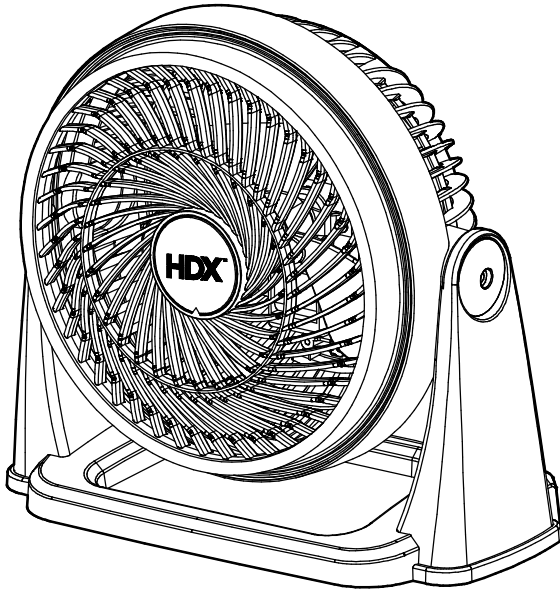


HDX™

Item #1000 026 853
Model #TF-810S

USE AND CARE GUIDE

9 IN. TABLE TOP FAN



Questions, problems, missing parts? Before returning to the store,
call HDX Customer Service
8 a.m. - 6 p.m., EST, Monday - Friday

1-800-514-6729

HOMEDEPOT.COM



THANK YOU

We appreciate the trust and confidence you have placed in HDX through the purchase of this table top fan. We strive to continually create quality products designed to enhance your home. Visit us online to see our full line of products available for your home improvement needs. Thank you for choosing HDX!

Table of Contents

Table of Contents	2
Safety Information.....	2
Warranty	3
Pre-Operation.....	3
Product Description.....	3

Operation	4
Wall Mounting.....	4
Maintenance	5
Changing the Fuse	5
Care and Cleaning.....	6

Safety Information

PLEASE READ, UNDERSTAND, FOLLOW, AND SAVE THESE INSTRUCTIONS BEFORE USING THIS PRODUCT.

FOR HOUSEHOLD USE ONLY.

1. Use this unit only as described in this manual. Other uses not recommended may cause fire, hazards or electric shock.
2. This product is intended for HOUSEHOLD use, for indoor, non-commercial, non-industrial, general domestic use in cooling rooms and is not intended for use in windows. Do not use the product outdoors or for any other purpose.
3. To protect against electrical shock, always use on a dry level surface. Do not place the fan in a window, immerse the unit, plug or cord in water, or spray with liquids.
4. Close supervision is necessary when any appliance is used by or near children.
5. Unplug the unit from the outlet if left unattended or not in use, when moving the fan from one location to another and before cleaning.
6. Never submerge the unit in water.
7. Do not operate the unit in the presence of explosive and/or flammable fumes.
8. Do not place the unit or any parts near an open flame, cooking or other heating appliance.
9. Never insert fingers or any other object through the fan guards. Never drop or insert objects into any opening of the product.
10. Never plug this unit in with a wet hand or wet cord.
11. Do not operate the unit with a damaged cord or plug. Discard the fan or return to an authorized service facility for examination and / or repair.
12. Avoid contact with moving fan parts.

13. To disconnect, grip the plug and pull it from the outlet. Never yank the cord.
14. Do not operate if the fan housing is removed or damaged.
15. To maintain operating efficiency, do not operate the product 24 hours a day, seven days a week.
16. Do not run the cord under carpeting. Do not cover the cord with throw rugs, runners, or similar coverings. Do not route the cord under furniture or appliances. Arrange the cord away from traffic areas and where it will not be tripped over.
17. This product employs overload protection (fuse). A blown fuse indicates an overload or short-circuit situation. If the fuse blows, unplug the product from the outlet. Replace the fuse as per the user servicing instructions (follow product marking for proper fuse rating) and check the product. If the replacement fuse blows, a short-circuit may be present and the product should be discarded or returned to an authorized service facility for examination and/or repair.



WARNING: To reduce the risk of electric shock and injury to persons, do not use in a window.



WARNING: To reduce the risk of fire or electrical hazard, DO NOT USE THIS FAN WITH ANY SOLID STATE SPEED CONTROL DEVICE.



WARNING: This appliance has a polarized plug (one blade is wider than the other).The polarized plug is not intended to be used in non-polarized outlets (having both slots the same size). To reduce the risk of electric shock, this plug is intended to fit in a polarized outlet only one way. If the plug does not fit fully in the outlet, reverse the plug, if it still does not fit, contact a qualified electrician. Do not modify the plug in any way.

Warranty

LIMITED WARRANTY

This item is warranted to be free from defects in materials or workmanship for a period of one year from the original date of purchase under normal conditions of intended use. If this product is defective, the Warrantor will, within the warranty period, replace the product or refund the purchase price of the product, at the Warrantor's option, at the place of purchase upon presentation of sales receipt or other proof of purchase. This warranty extends only to the original retail purchaser and excludes any damage to the product resulting from accident, misuse, abuse, damage caused by electrical power surge, or operation not recommended or authorized by these operating and safety instructions. This warranty is voided if the product is ever used in a commercial or business environment.

There are no warranties beyond this limited warranty. This limited warranty is your complete and exclusive remedy. The Warrantor makes no other warranties, express or implied, including but not limited to any implied warranty of merchantability or of fitness for a particular purpose. The Warrantor undertakes no responsibility for the quality of the product except as otherwise provided herein. The Warrantor assumes no responsibility that the product will be fit for any particular purpose for which you may be buying this product. The Warrantor expressly disclaims liability for any special, incidental, indirect, or consequential damages arising from the purchase or use of this product.

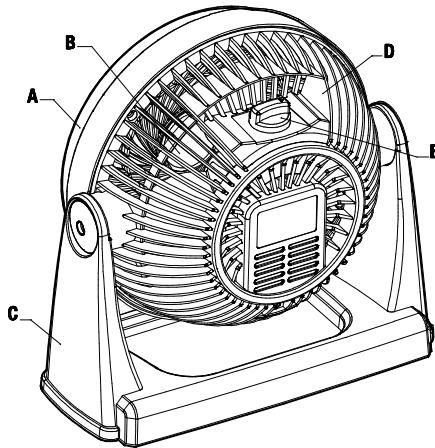
The amount of the Warrantor's liability under this warranty is limited to the amount of the original purchase price paid for the product by the original retail purchaser. If the Warrantor cannot lawfully disclaim statutory or implied warranties, then all such warranties shall be limited to the duration of this warranty and to the amount of the original purchase price paid for the product by the original retail purchaser.

This warranty gives you specific legal rights; you may also have other rights that vary by jurisdiction. This warranty is valid only within the United States of America (USA).

Contact the Customer Service Team at 1-800-514-6729 or visit www.HomeDepot.com.

Pre-Operation

PRODUCT DESCRIPTION



Part	Description
A	Front guard
B	Blade
C	Base
D	Rear guard
E	Rotary switch

Operation

1 Adjusting and turning on the fan

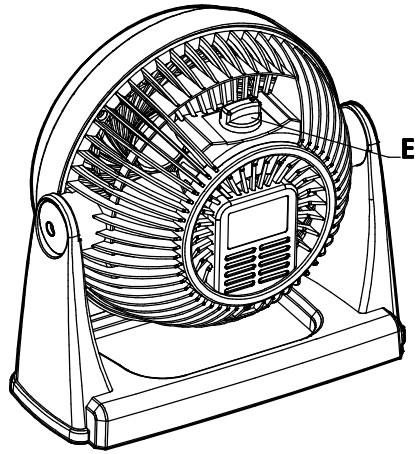


WARNING: Do not use this product in windows, as a risk of electrical shock exists and serious personal injury and/or property damage may occur.



NOTE: Unplug the product from the electrical outlet when it is not in use or is left unattended.

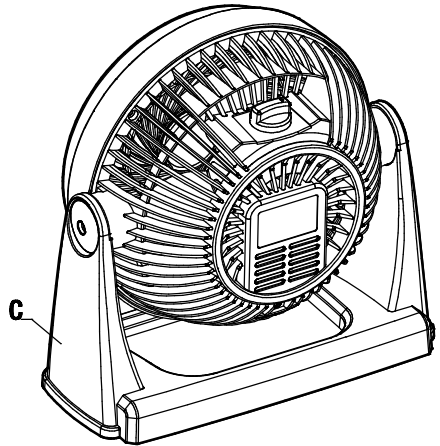
- Set your fan on a level and dry surface.
- Make sure the rotary switch (E) is set to the "0" (OFF) position. Plug the unit into a 120Vac 60Hz outlet.
- Adjust the fan head vertically to your desired angle.
- To turn on the unit, turn the rotary switch (E) to the "3" (HIGH), "2" (MEDIUM) or "1" (LOW) position.
- To stop the unit, turn the rotary switch (E) to the "0" (OFF) position, then unplug the unit from the power outlet.



Wall Mounting

1 Mounting the fan to a wall

- Locate and mark the position on the wall where the fan will be mounted (preferably at a wall stud).
- Insert a #8 screw (bolt) into the wall stud. The screw is not included and can be purchased at a hardware store.
- Leave approximately 3/8 in. of the screw (bolt) exposed.
- Align the opening on the base (C) of the fan with the screw (bolt) and hang the fan on the wall.



CHANGING THE FUSE

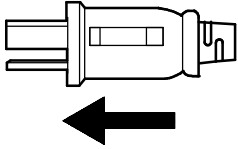


WARNING: Risk of fire. Do not replace the attachment plug. It contains a safety device (fuse) that should not be removed. Discard this product if the attachment plug is damaged.

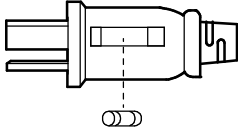


WARNING: Risk of fire can result from using the wrong fuse rating. Replace the fuse only with a 2.5 Amp, 125 Volt rating.

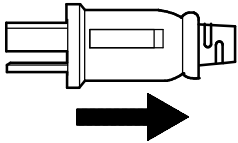
1. Grasp the plug and remove from the receptacle or other outlet device. Do not yank the cord to unplug.
2. Select a suitable tool such as a small flat screwdriver or travel scissors.
3. To open the fuse cover, slide open the fuse access cover on top of the attachment plug toward the blades.



4. Carefully remove the fuse by prying it out.



5. Replace the fuse only with a 2.5 Amp, 125 Volt rating (not included).
6. Slide the fuse access cover closed.



Care and Cleaning

CLEANING



WARNING: To avoid the risk of electrical shock, always make sure the product is unplugged from the electrical outlet before cleaning or servicing.



CAUTION: This fan is not intended to be disassembled for cleaning for internal parts (e.g. blade, motor). Disassembly may result in product damage. Never use liquids or abrasive cleaners to clean the product.

- Wipe the exterior surfaces with a soft damp cloth. Dust can be removed from the guard and blades with a small vacuum.
- Do not immerse the motor, switch or wires in water and never allow water to drip into the blade or motor housing.
- Do not use any chemical cleaners such as acid, alcohol, etc, to clean the fan.
- Make sure the fan is completely dry after cleaning.

CARE



WARNING: Do not attempt to open any part of the motor housing, as a risk of electrical shock may exist. This product has been permanently lubricated at the factory and will not require further lubrication for the life of the product. Additional lubrication of the electric motor parts could create a fire hazard.

- The product must be packaged in its original box and stored in a room with low humidity.
- Make sure the product is completely dry before using at any time.



IMPORTANT: If you experience a problem, please return the fan to the place of original purchase. Do not attempt to open the motor housing yourself, doing so may cause damage to the fan or personal injury.



Questions, problems, missing parts? Before returning to the store,
call HDX Customer Service
8 a.m. - 6 p.m., EST, Monday - Friday

1-800-514-6729

HOMEDEPOT.COM

Retain this manual for future use.

Made in China.