

The limited warranty set forth below is given by Precision Products Incorporated with respect to new merchandise purchased and used in the United States, its possessions and territories.

Precision Products Incorporated warrants the product(s) listed against defects in material and workmanship, and will, at our option, repair or replace, free of charge, any part found to be defective in materials or workmanship. This limited warranty shall only apply if this product has been assembled, operated, and maintained in accordance with the owner's manual furnished with the product, and has not been subjected to misuse, abuse, neglect, accident, improper maintenance, alteration, vandalism, theft, fire, water, or damage because of other peril or natural disaster.

Normal wear parts or components thereof are subject to separate terms as follows: All normal wear parts or component failures will be covered on the product for a period of one year. Parts found to be defective within the warranty period will be replaced at our expense. Our obligation under this warranty is expressly limited to the replacement or repair, at our option, of parts found to be defective in material and workmanship.

Contacting Service

Warranty parts replacements are available, ONLY WITH PROOF OF PURCHASE, through our Customer Service Department.

Call **1 (800) 225-5891**

This limited warranty does not provide coverage in the following cases:

1. Routine maintenance items such as lubricants and filters.
2. Normal deterioration of the exterior finish due to use or exposure.
3. Transportation and/or labor charges.

No implied warranty, including any implied warranty of merchantability of fitness for a particular purpose, applies after the applicable period of expressed written warranty above as to the part as identified below. No other expressed warranty, whether written or oral, except as mentioned above, given by any person or entity, including a dealer or retailer, with respect to any product, shall bind Precision Products Inc. during the period of the warranty, the exclusive remedy is repair or replacement

of the product as set forth above. The provisions as set forth in this warranty provide the sole and exclusive remedy arising from the purchase.

Precision Products Inc. will not be liable for incidental or consequential loss or damage including, without limitation, expenses incurred.

Some states do not allow the exclusion of limitation of incidental or consequential damages, or limitations on how long an implied warranty lasts, so the above exclusions or limitations may not apply to you.

During the warranty period, the exclusive remedy is replacement of the part. In no event shall recovery of any kind be greater than the amount of the purchase price of the product sold. Alteration of safety features of the product shall void this warranty. You assume the risk and liability for loss, damage, or injury to you and your property and/or to others and their property arising out of the misuse or inability to use this product.

This limited warranty shall not extend to anyone other than the original purchaser or to the person for whom it was purchased as a gift.

Local Law to this Warranty

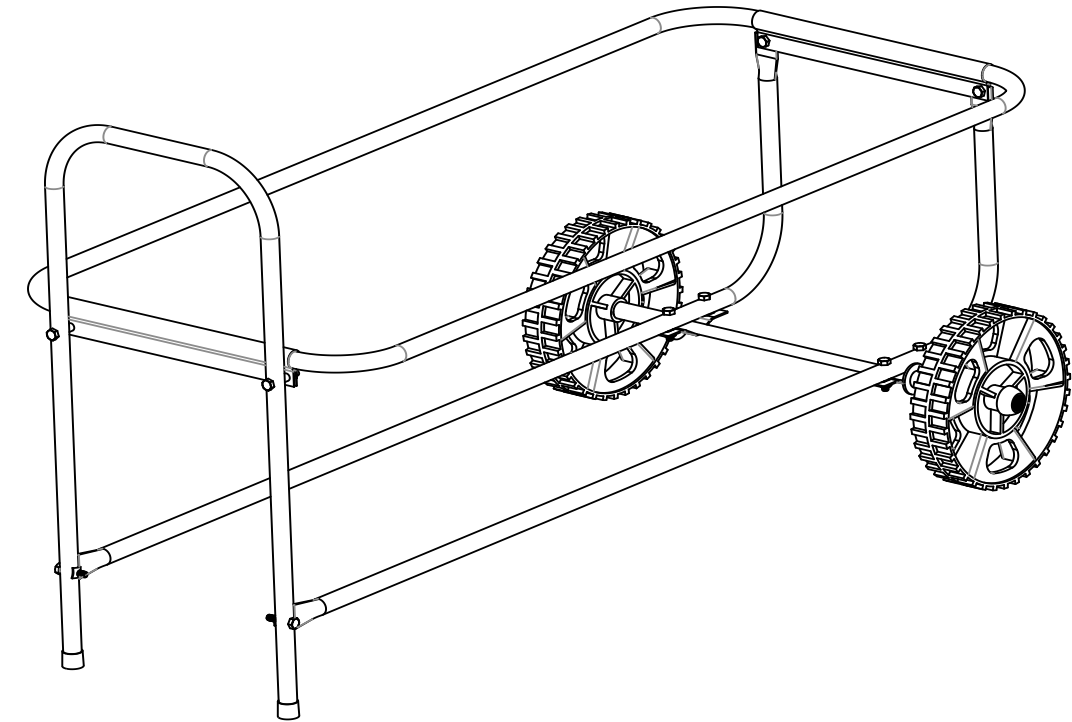
This limited warranty gives you specific legal rights, and you may also have other rights which vary from state to state.

Warranty Period

The warranty period stated below begins with the **Proof of Purchase**. Without the proof of purchase, the warranty period begins from the date of manufacture.

Product Warranty Period

The warranty period for this product is as follows: All parts are covered for 1 year.



Tread pattern on tires may vary.

Manual Contents

Safety Instructions	2
Operation.....	2
Assembly.....	2-3
Parts	3
Warranty.....	4

Your New Trash Hog

Congratulations on your purchase of a new Precision Products Inc. Trash Hog. Your Trash Can Caddy has been engineered and built to give you the most dependable and best performing product possible.

If you experience any problem you can not easily resolve, please feel free to contact our knowledgeable and helpful customer service department toll-free at **1 (800) 225-5891**.

Caution: Carefully read all rules and instructions for safe operation. Retain this manual for reference.

Rules for Safe Operation

The following safety precautions are suggested. This Trash Hog is designed, engineered and tested to offer reasonably safe and effective service, provided that it is operated in strict accordance with these instructions. Failure to do so may result in personal injury. Always observe the rules of safe operation. Please read and retain this manual.

1. Be sure that all nuts and bolts are installed so that the heads of the bolts are facing the outside and the nuts are put on the inside facing the center of the unit. Except for the nuts and bolts used to secure the axle.
2. Keep all nuts, bolts and screws tight to be sure equipment is in safe working condition.

Tools

- (1) Flat Screwdriver (Large)
- (1) Adjustable Wrench
- (1) Hammer

Assembly Instructions

(Leave all nuts and bolts loosely fastened until all hardware is in place)

1. Mount Frame Bracket to Handle by inserting a 1/4" x 1-3/4" Bolt through the Handle, place a 1/2" Rubber Spacer onto the Bolt, followed by a Frame Bracket and secure with a 1/4" Hex Head Nut. Repeat process on the other side. **Do not tighten until Upper Frames are installed and adjusted to container size.** See Figure 1.

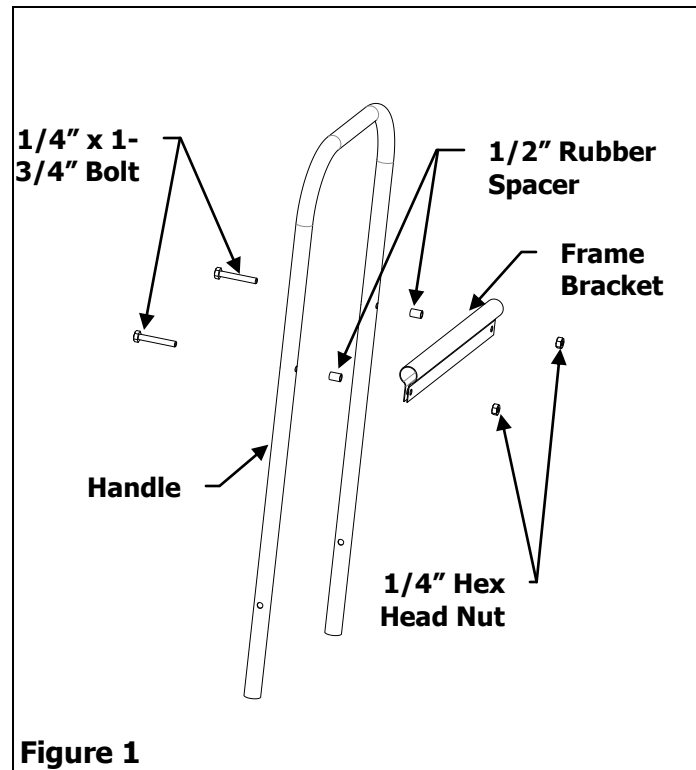


Figure 1

2. Mount the Lower Frames, to the Frame Bracket by inserting 1/4" x 1/2" Bolts through the Lower Frames. Then insert through the holes in the Frame Bracket and secure with 1/4" Hex Head Nut. Repeat the process on the other side. See Figure 2.

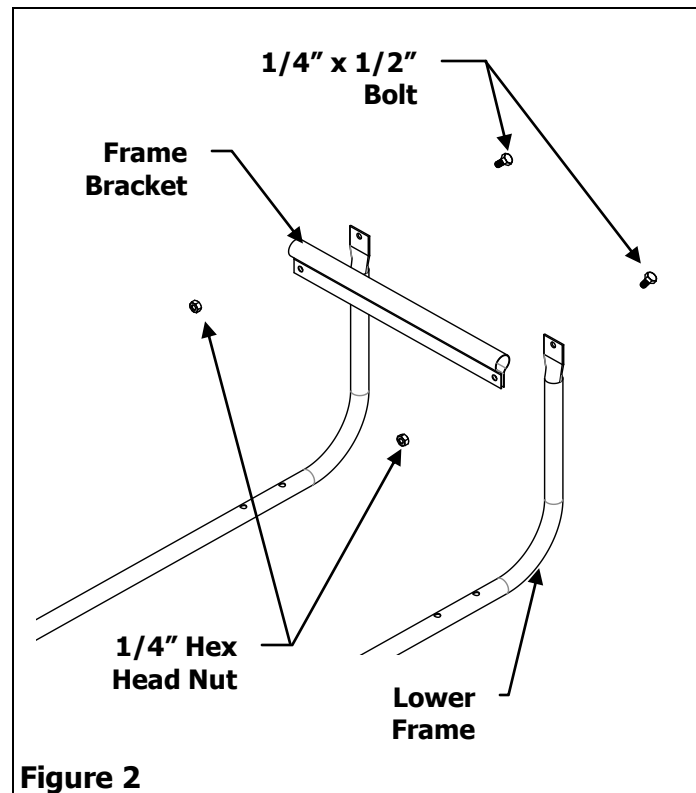


Figure 2

3. Insert a 1/4" x 1-1/4" Bolt into the Handle then through Lower Frame and secure with a 1/4" Spring Nut. Repeat the process on the other side. See Figure 3.

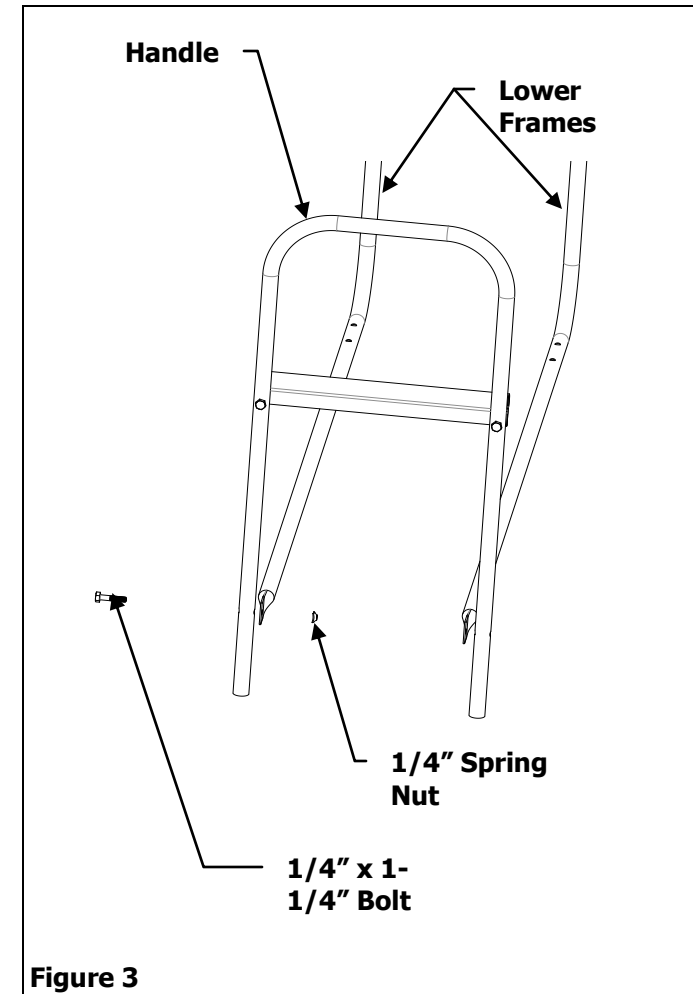


Figure 3

4. Mount the Axle loosely to the bottom of the Lower Frame with Axle Brackets. Insert the 1-1/4" Bolts up through the Lower Frame, then through the Axle Brackets, and secure with a 1/4" Hex Head Nut. Place one 1/2" Flat Washer on each side of the Axle, followed by a 1/2" x 3" Spacer. Place a Wheel on each side of the Axle, secure by tapping a Hub Cap onto each side of the Axle. Spread the Lower Frames so that the Axle Brackets are snug against Wheel Assembly, now tighten these nuts and bolts only. Place one Tube Cap onto each end of the Handle. See Figure 4.

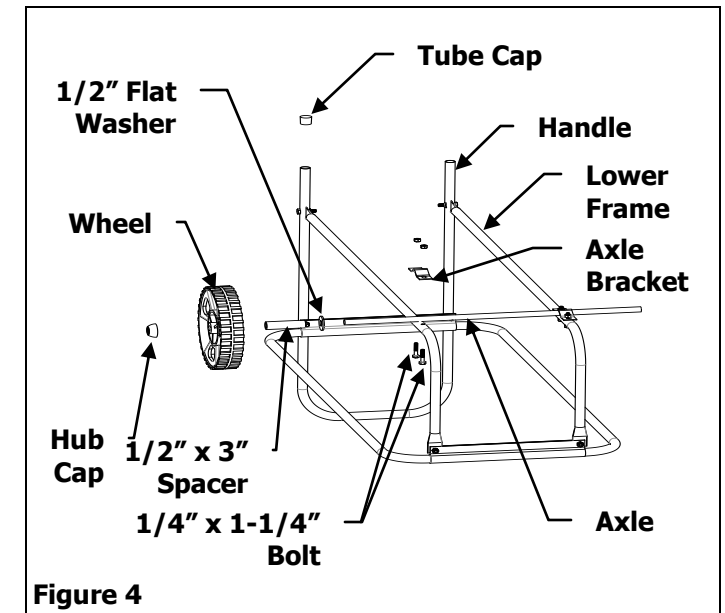


Figure 4

5. Insert Upper Frames into Frame Brackets. Place waste containers in the TRASH HOG and adjust the Upper Frames to fit containers. Now tighten all loose nuts and bolts. See Figure 5.

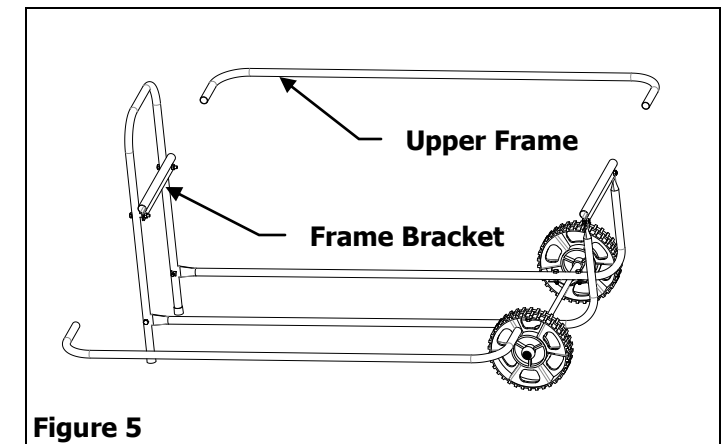


Figure 5

Ref.	Part No.	Qty.	Description
1	1916DJ	2	Wheel
2	1920B	2	Lower Frame
3	1921B	2	Upper Frame
4	1922B	1	Handle
5	1923	2	Frame Bracket
6	1585	1	Axle
7	1046	6	1/4" x 1-1/4" Hex Head Bolt
8	1051	2	1/4" Spring Nut
9	1506	2	1/2" Flat Washer
10	1928	2	1/2" x 3" Spacer
11	1410	2	Axle Bracket
12	1040	2	Hub Cap
13	1082	2	Tube Cap
14	1944	2	1/2" Rubber Spacer (Thin)
15	1175	2	1/4" x 1/2" Truss Head Bolt
16	1065	2	1/4" x 1-3/4" Bolt
17	1270	8	1/4" Hex Head Nut