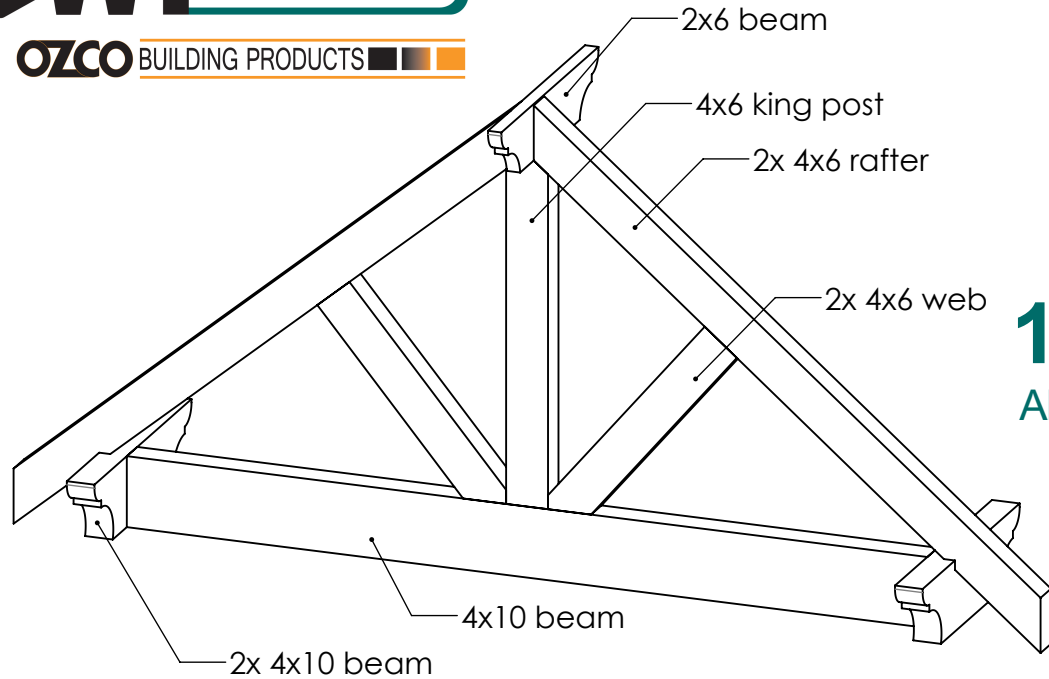




OZCO BUILDING PRODUCTS

Truss Construction Truss Base Fan Calculator



10:12 Truss Base Fan Abanico Apuntalador de 10:12 56620

Beam (in)	King Post (in)	Rafter (in)	Web (in)
96	38.18	59.41	27.97
97	38.60	60.07	28.29
98	39.02	60.72	28.62
99	39.44	61.37	28.94
100	39.86	62.02	29.26
101	40.28	62.68	29.58
102	40.70	63.33	29.90
103	41.12	63.98	30.22
104	41.54	64.63	30.54
105	41.96	65.29	30.86
106	42.38	65.94	31.19
107	42.80	66.59	31.51
108	43.22	67.24	31.83
109	43.63	67.90	32.15
110	44.05	68.55	32.47
111	44.47	69.20	32.79
112	44.89	69.85	33.11
113	45.31	70.51	33.44
114	45.73	71.16	33.76
115	46.15	71.81	34.08
116	46.57	72.46	34.40

Beam (in)	King Post (in)	Rafter (in)	Web (in)
117	46.99	73.12	34.72
118	47.41	73.77	35.04
119	47.83	74.42	35.36
120	48.25	75.07	35.68
121	48.67	75.73	36.01
122	49.09	76.38	36.33
123	49.51	77.03	36.65
124	49.93	77.68	36.97
125	50.35	78.34	37.29
126	50.77	78.99	37.61
127	51.19	79.64	37.93
128	51.61	80.29	38.25
129	52.03	80.95	38.58
130	52.45	81.60	38.90
131	52.87	82.25	39.22
132	53.29	82.90	39.54
133	53.70	83.56	39.86
134	54.12	84.21	40.18
135	54.54	84.86	40.50
136	54.96	85.51	40.82
137	55.38	86.17	41.15

Beam (in)	King Post (in)	Rafter (in)	Web (in)
138	55.80	86.82	41.47
139	56.22	87.47	41.79
140	56.64	88.12	42.11
141	57.06	88.78	42.43
142	57.48	89.43	42.75
143	57.90	90.08	43.07
144	58.32	90.73	43.39
145	58.74	91.39	43.72
146	59.16	92.04	44.04
147	59.58	92.69	44.36
148	60.00	93.34	44.68
149	60.42	94.00	45.00
150	60.84	94.65	45.32
151	61.26	95.30	45.64
152	61.68	95.96	45.97
153	62.10	96.61	46.29
154	62.52	97.26	46.61
155	62.94	97.91	46.93
156	63.36	98.57	47.25
157	63.77	99.22	47.57
158	64.19	99.87	47.89

Beam (in)	King Post (in)	Rafter (in)	Web (in)
159	64.61	100.52	48.21
160	65.03	101.18	48.54
161	65.45	101.83	48.86
162	65.87	102.48	49.18
163	66.29	103.13	49.50
164	66.71	103.79	49.82
165	67.13	104.44	50.14
166	67.55	105.09	50.46
167	67.97	105.74	50.78
168	68.39	106.40	51.11
169	68.81	107.05	51.43
170	69.23	107.70	51.75
171	69.65	108.35	52.07
172	70.07	109.01	52.39
173	70.49	109.66	52.71
174	70.91	110.31	53.03
175	71.33	110.96	53.35
176	71.75	111.62	53.68
177	72.17	112.27	54.00
178	72.59	112.92	54.32
179	73.01	113.57	54.64

Beam (in)	King Post (in)	Rafter (in)	Web (in)
180	73.43	114.23	54.96
181	73.84	114.88	55.28
182	74.26	115.53	55.60
183	74.68	116.18	55.92
184	75.10	116.84	56.25
185	75.52	117.49	56.57
186	75.94	118.14	56.89
187	76.36	118.79	57.21
188	76.78	119.45	57.53
189	77.20	120.10	57.85
190	77.62	120.75	58.17
191	78.04	121.40	58.50
192	78.46	122.06	58.82
193	78.88	122.71	59.14
194	79.30	123.36	59.46
195	79.72	124.01	59.78
196	80.14	124.67	60.10
197	80.56	125.32	60.42
198	80.98	125.97	60.74
199	81.40	126.62	61.07
200	81.82	127.28	61.39

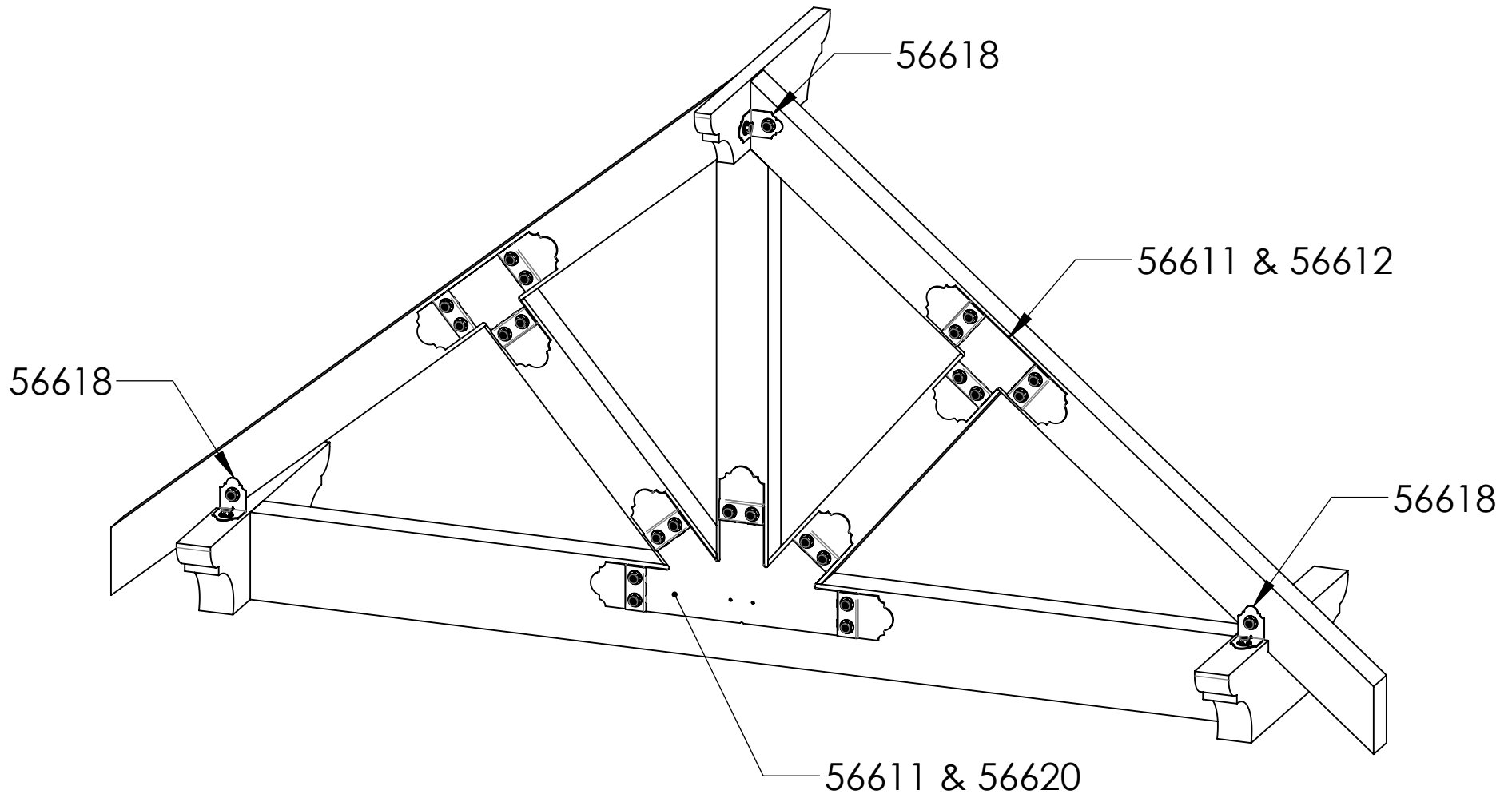


OZCO BUILDING PRODUCTS

Truss Construction

56620 Truss Base Fan Calculator

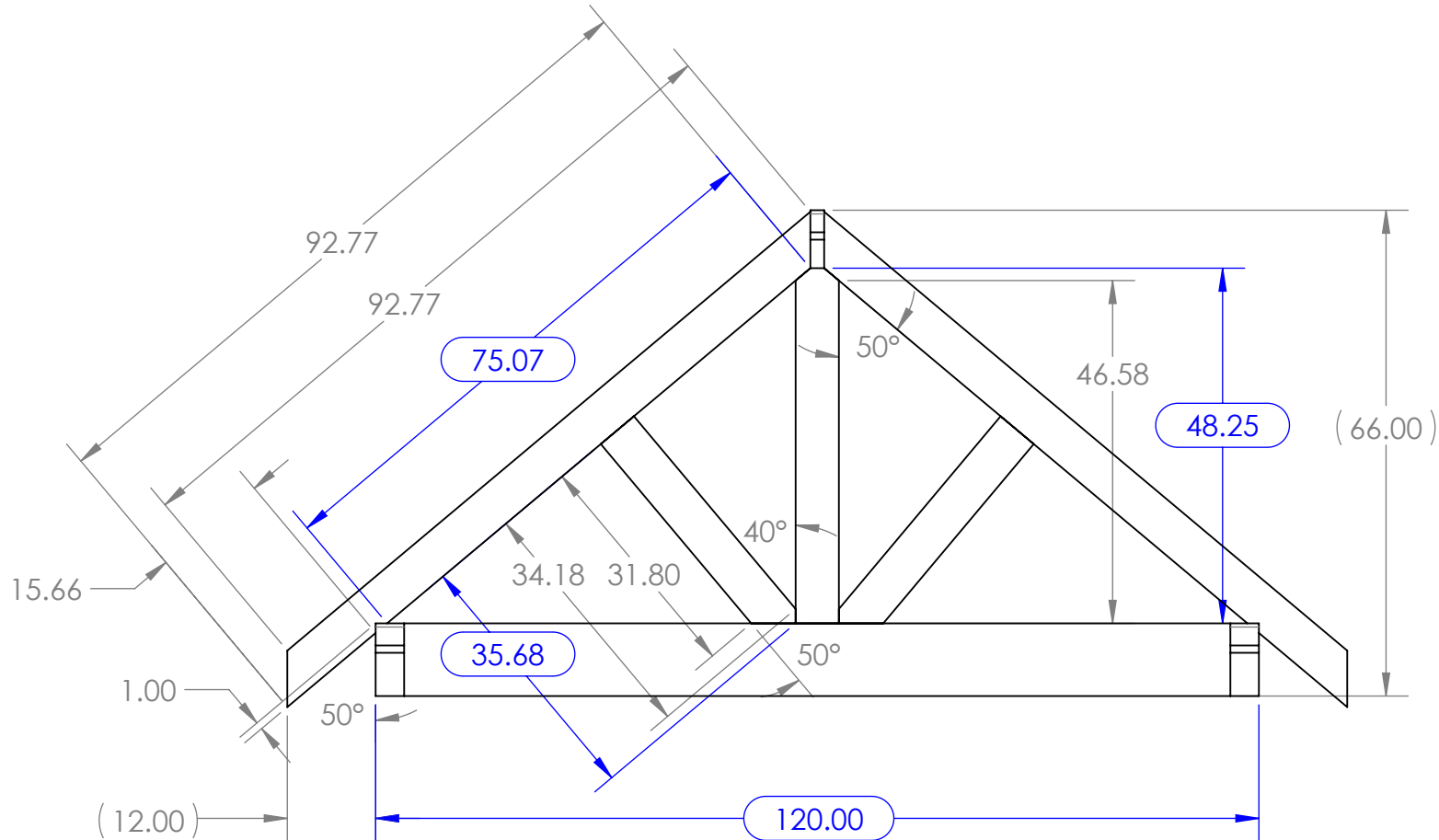
10:12



Truss Construction

56620 Truss Base Fan Calculator

10:12



Board	Length
Beam	120.00
Rafter	75.07
King Post	48.25
Web Post	31.80

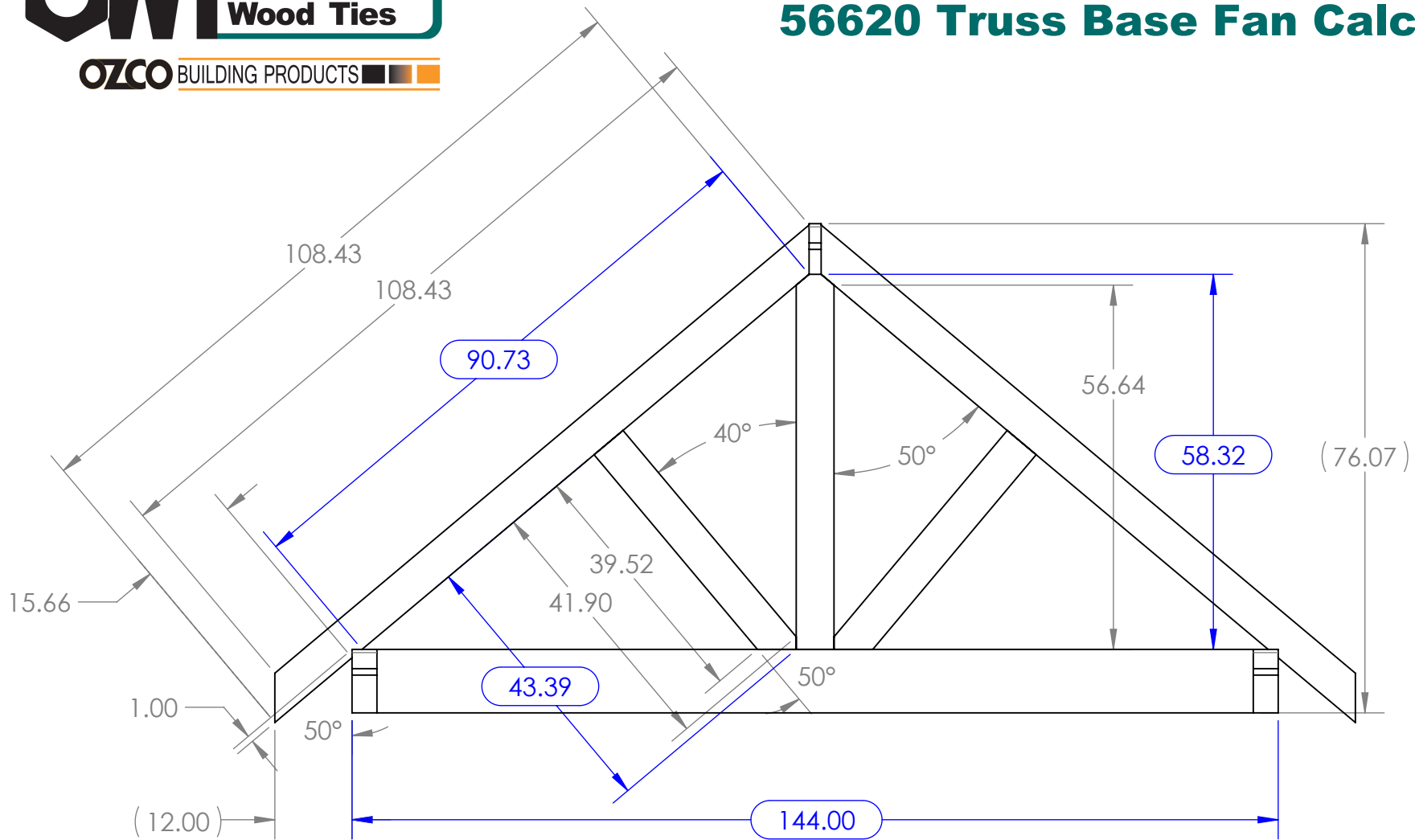
Weight: 232.68 LBS
 Scale: 1:24
 Last updated: 1/15/2015

56620 Truss Base Fan Calculator

Truss Construction

56620 Truss Base Fan Calculator

10:12



Board	Length
Beam	144.00
Rafter	90.73
King Post	58.32
Web Post	43.39

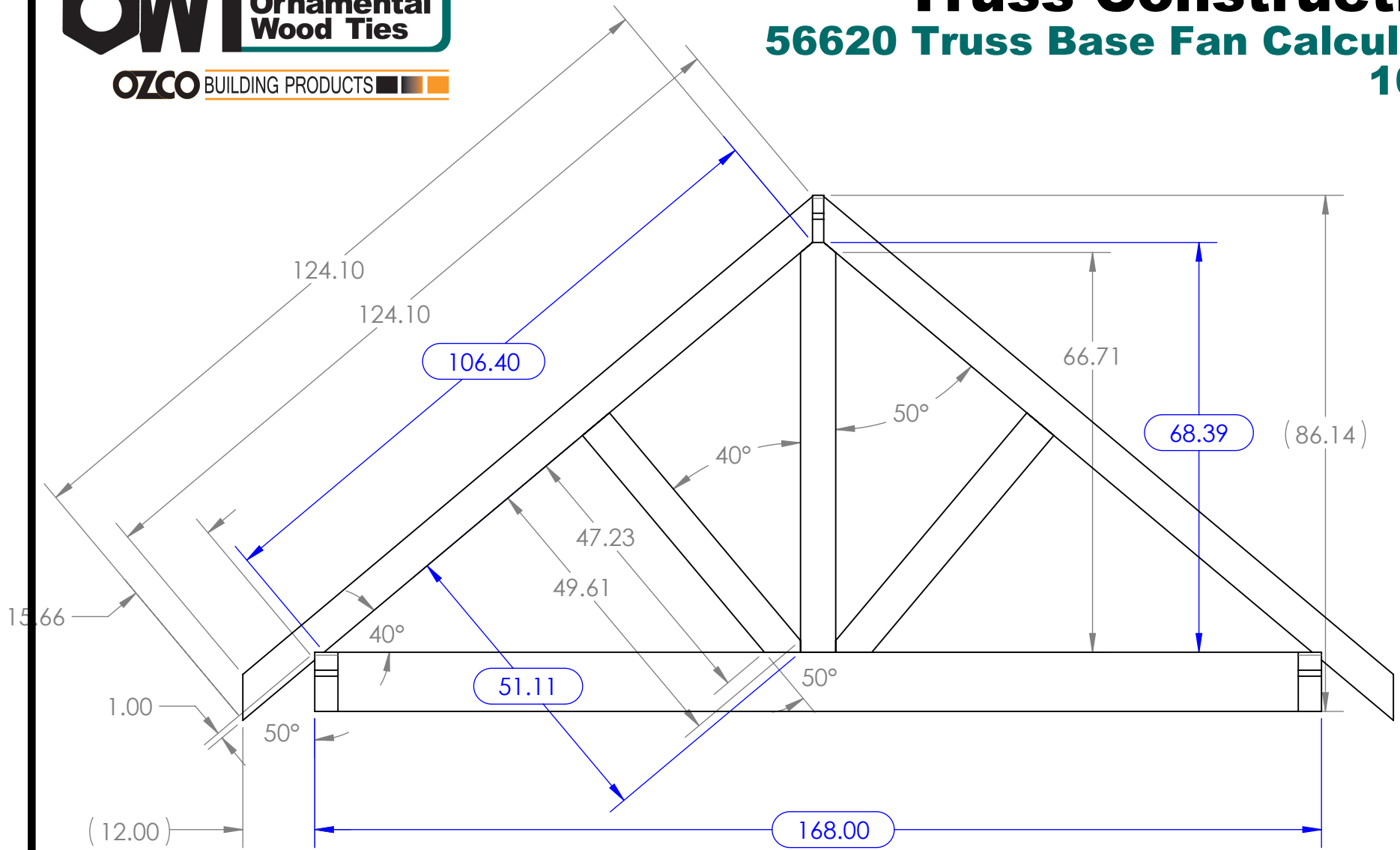
Weight: 270.24 LBS
 Scale: 1:24
 Last updated: 1/15/2015

56620 Truss Base Fan Calculator

Truss Construction

56620 Truss Base Fan Calculator

10:12



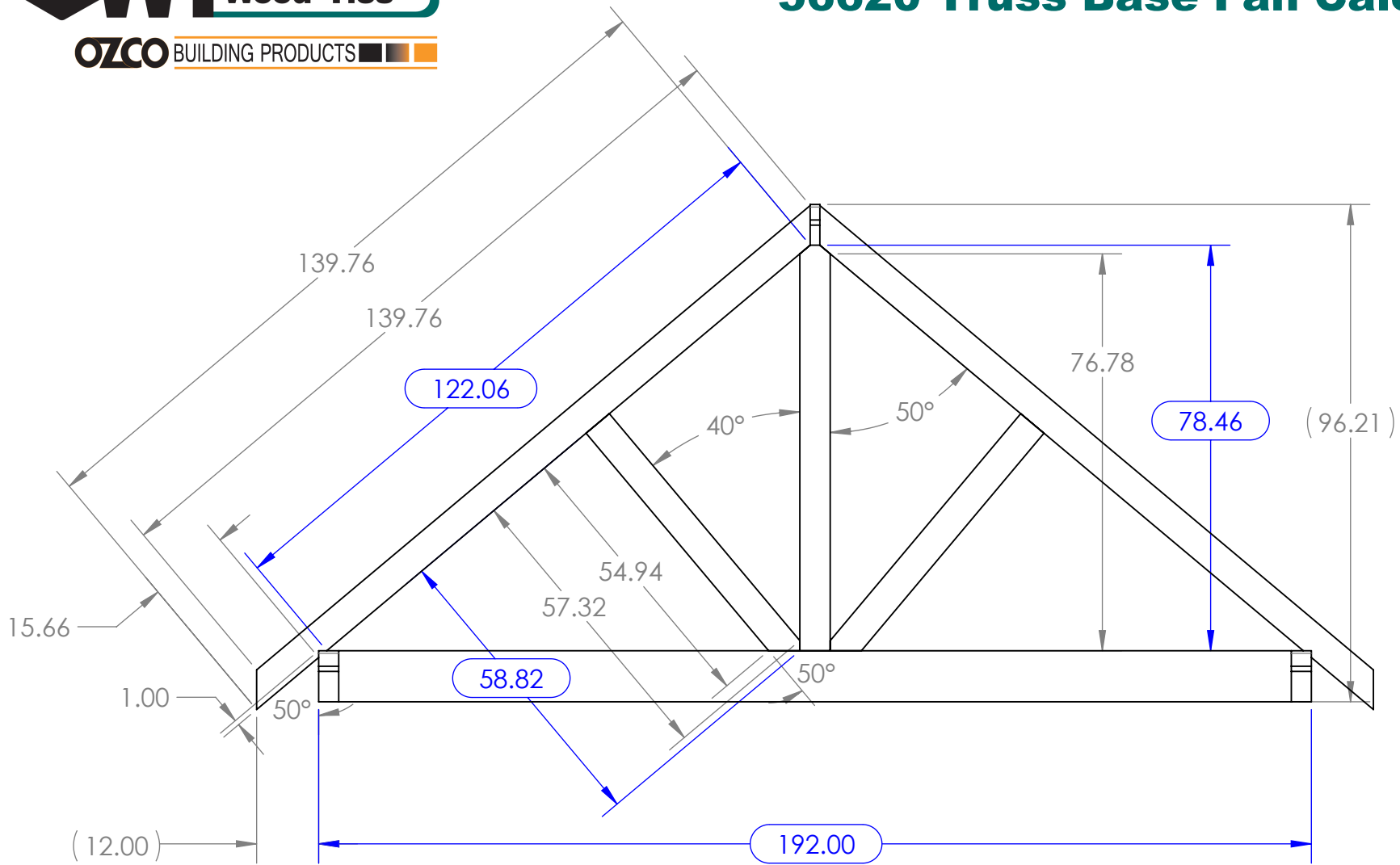
Board	Length
Beam	168.00
Rafter	106.40
King Post	68.39
Web Post	51.11

Weight: 307.80 LBS
 Scale: 1:24
 Last updated: 1/15/2015

Truss Construction

56620 Truss Base Fan Calculator

10:12



Board	Length
Beam	192.00
Rafter	122.06
King Post	78.46
Web Post	58.82

Weight: 345.36 LBS
 Scale: 1:30
 Last updated: 1/15/2015

56620 Truss Base Fan Calculator