

ANZZI GLASS SHOWER DOOR
INSTALL GUIDE

Models:
SD-AZ13-01
SD-AZ13-02
SD-AZ17-01

Have questions? Call us at 1-844-44-ANZZI or
email at info@anzzi.com.

GETTING STARTED

Notice: *This assembly requires two people due to the weight of the glass doors. Professional installers are highly recommended.*

1. Carefully inspect all boxes and packages to make sure no damage occurred during shipping. If you find a unit has been damaged or has a finishing defect, contact your local distributor within 3 business days of the delivery date. Note: After 3 business days, or if the product has been installed, we will NOT replace any damaged products free of charge.

Once all boxes and packages are inspected and opened, thoroughly read through this instruction manual. Take time to view the “Detailed Diagram of Shower Door Components” page and mark each piece as you ensure all necessary parts required for assembly are included in the package. If you have further questions, please contact your local distributor.

2. Note: Keep in mind that we are not responsible for code compliance standards for your project. Plumbing and building codes differ from one location to another, so it is crucial to review your local building codes before installation to help answer any questions you have about installation compliance standards.

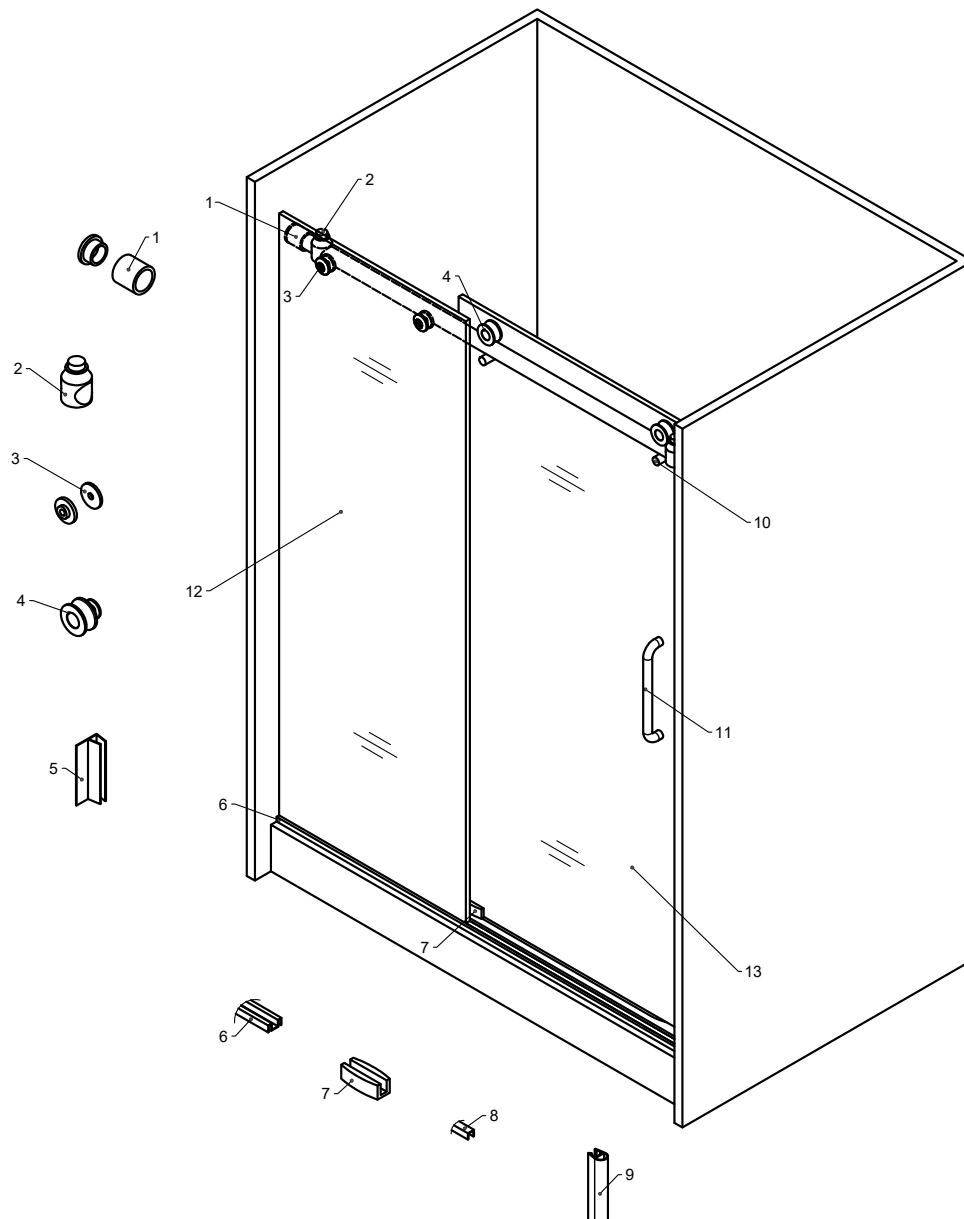
3. Make sure the installation surface area is level, solid, and can support the entire weight of the unit and the walls are at right angles before beginning installation. Major problems may occur if the surface area isn't level and side wall angles are abnormal. It is recommended that all primary surfaces of the unit be protected during installation. Leveling adjustments and drilling may be necessary depending on the unit being installed.

4. Finished floor and walls are required for installation of this unit.

5. A 3 ½” wide threshold or installation space is required for this door.

6. Note: Step 6 involves the installation of the door with the use of anchors. However, due to the weight of the door, the manufacturer highly recommends installation on pre-installed 2x4 wood reinforcement installed behind the wall, complete with Wall Brackets attached.

7. Easy clean, single-surface glass should face the interior of the shower area. Easy clean, double-surface glass is reversible.



PARTS LIST

1. (2x) Door stopper
2. (1x) Glass panel
3. (1x) Top guard rail
4. (4x) Roller
5. (1x) Glass door
6. (1x) Handle
7. (2x) Glass bracket
8. (2x) Guide rail bracket
9. (2x) Large anchor 3/8"
10. (2x) Round head screw ST6×45
11. (1x) Allen keys 3mm, 4mm & 5mm
12. (1x) Guide block
13. (1x) Bumper strip
14. (1x) Threshold cover
15. (1x) Threshold
16. (5x) Countersunk screw ST4.2×30
17. (2x) Anti-water strip
18. (6x) Small anchor 5/16
19. (2x) Roller guard
20. (1x) Silicone cleaner
21. (2x) Glass bottom protection seals

TOOLS YOU'LL NEED

Caulk, Tape Measure, Pencil, Phillips Screwdriver

Drill Bits D=5/16" and D=3/8"

Level, Caulking Gun, Electric Drill, Hammer, Miter or Hacksaw

MEASUREMENTS

1. Take a precise measurement of the distance between the two completed walls. This distance is labeled as “W” on the diagram. Refer to Figure 1 for details.

2. For your convenience, the Upper Guide Rail (03) has been pre-cut for shower models with a width of 48” or 60”.

Wall-to-wall openings with a width (W) equal to the size of the shower model does not require you to cut the Running Rail (03). Simply continue to Step 3.

Wall-to-wall openings with a width (W) less than the size of the shower model will require you to cut Upper Guide Rail from the end farthest from the holes of the Glass Brackets (07).

(L) is used to refer to the length. To determine the length (L): Subtract (W) from the size of the shower model.

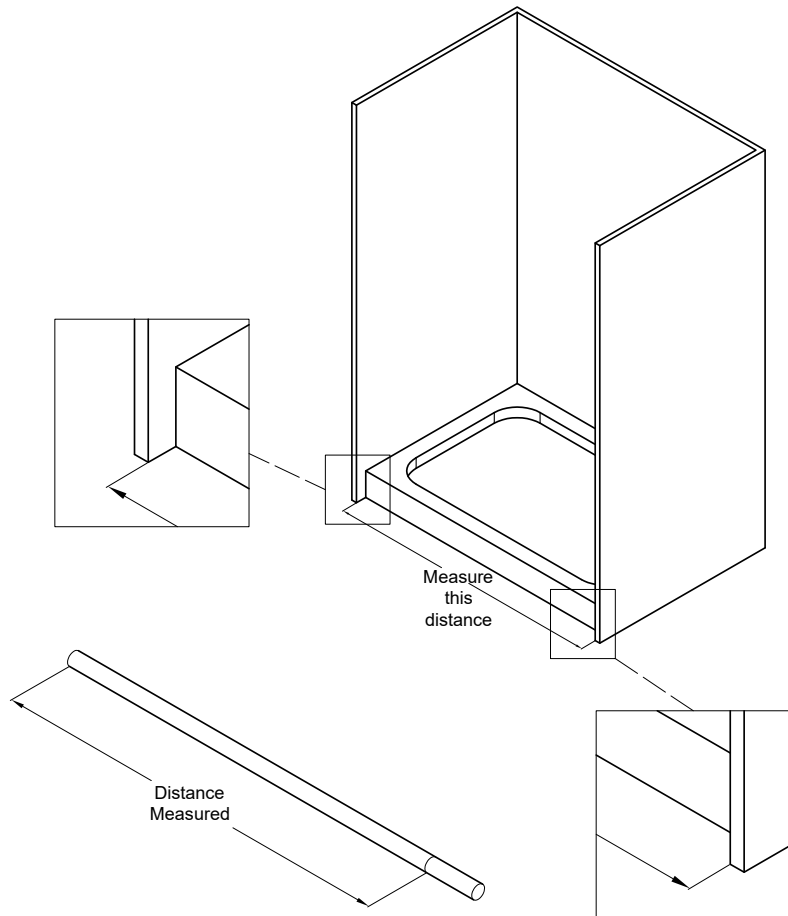


Figure 1

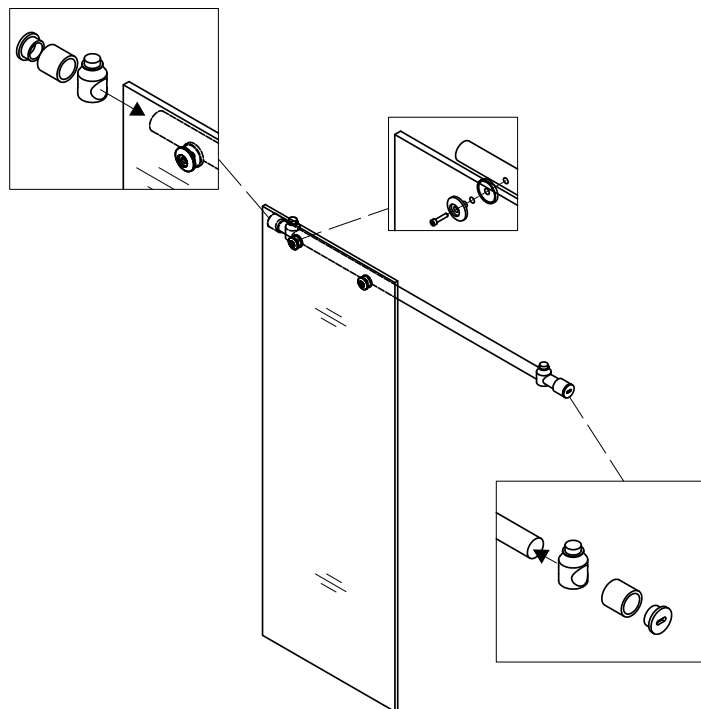


Figure 3

GLASS BRACKETS

3. Use the Glass Brackets (07) to attach the Upper Guide Rail (03) to the Stationary Glass (02). Tighten the set with screws. Place the Door Stoppers (01) on each end of the Upper Guide Rail (03) by using a sliding motion. Temporarily secure them. Place the Guide Rail Brackets (08) on each end of the Upper Guide Rail (03) by using a sliding motion. Temporarily secure them.

Refer to Figures 3 for details.

NOTE: Before installing the Stationary Glass (02), lean the Glass Door (05) gently against the shower area wall.

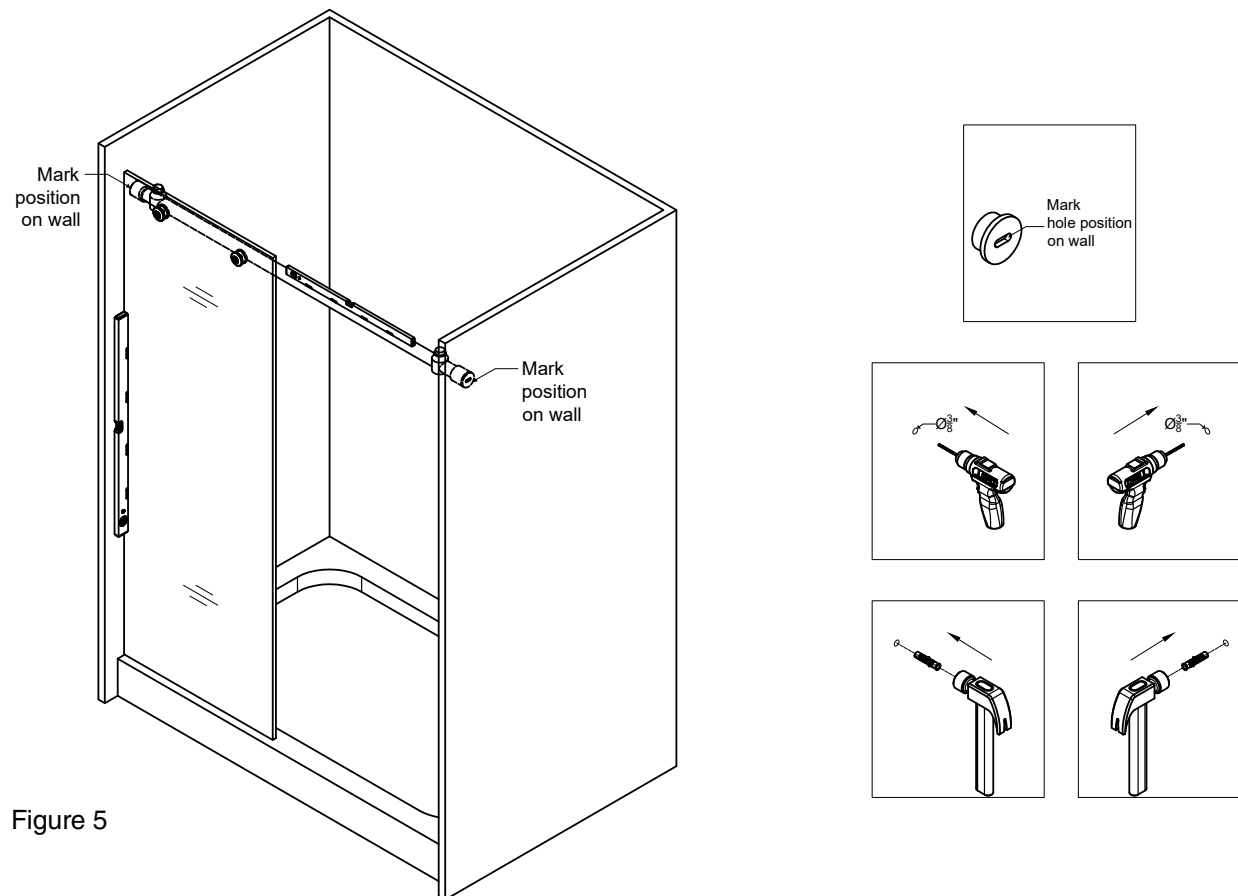
STATIONARY GLASS

4. Rest the Stationary Glass (02) on the pre-installed threshold or shower base and push it up against the wall.

NOTE: The Upper Guide Rail (03) secured on the Stationary Glass should face the interior of the shower.

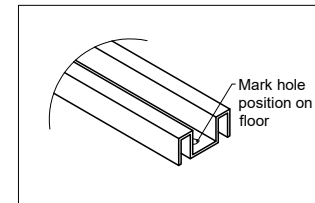
Be sure the Upper Guide Rail and Stationary Glass are aligned with the threshold or shower base and are fully leveled. Make adjustments to the Glass Bracket (07) if horizontal adjustments are necessary.

Refer to Figure 5 for details.



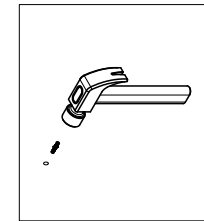
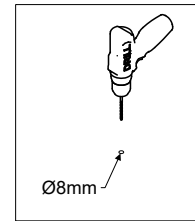
GUIDE RAILS

5. Carefully make an outline on the wall of the Guide Rail Brackets (08) position. Set aside the Stationary Glass (02) while you disassemble the Guide Rail Brackets from the Upper Guide Rail (03). Position the Rail Bracket into the outlined areas and precisely mark drilling holes. Refer to Figure 6 for details.

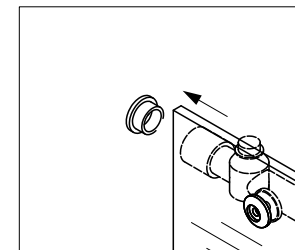
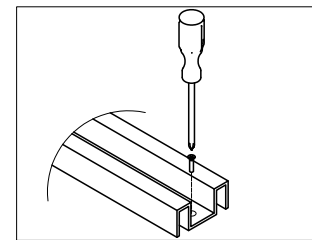


6. Use a $\text{Ø } 3/8$ " drill bit to drill the holes for the Guide Rail Brackets (08). Insert the "Large Anchor 3/8" (09).

7. Use the Round Head Screw ST5x45 (10) to mount the male parts of the Guide Rail Brackets (08) onto both walls. Refer to Figure 8 for details.



8. Precisely mark drilling holes on the floor using the pre-drilled holes of the Threshold (15) as a guide. Remove the Threshold. Use a $\text{Ø } 5/16$ " drill bit to drill the holes in the floor then insert the Small Anchors $\text{Ø } 5/16$ " (18). Add silicone on the bottom of the Threshold around the holes and along the center line. Position it back into its designated place. Use the Countersunk Screw ST4.2x25 (16) to fasten it to the floor.



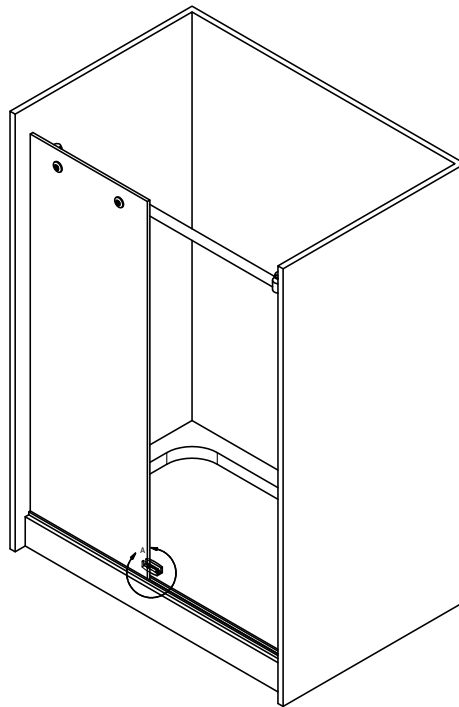
NOTE: Avoid damaging the stationary glass with the screws in the threshold by using the Glass Bottom Protection Seal (21) to cover the bottom 2 screws of the stationary glass.

GUIDE RAILS

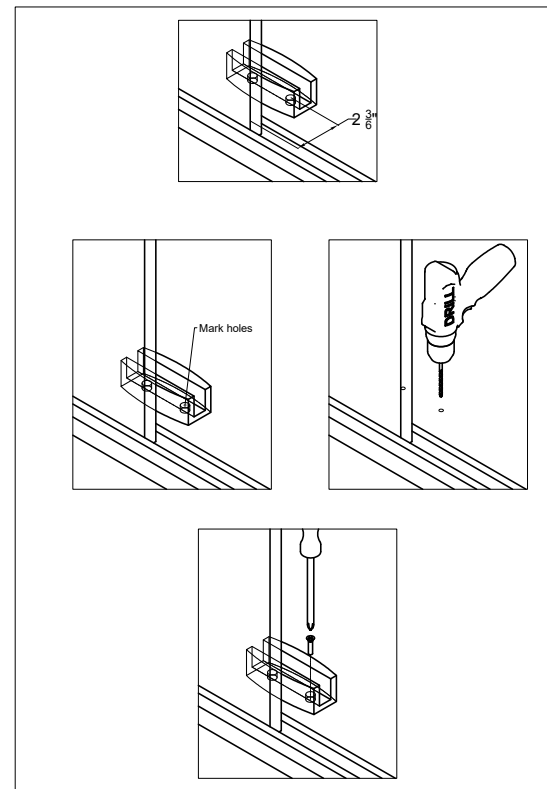
9. Attach both female parts of the Guide Rail Brackets (08) to their male counterparts on the wall. Adjust the set screws on the Guide Rail Brackets until they are tight and fully secure the Upper Guide Rail between the walls.

10. Gently set the Guide Block (12) on the floor, parallel to the Stationary Glass Panel flush with the vertical edge of the glass. Take time to measure the distance from the outer surface of the glass to the center line of the guide block is $2 \frac{3}{16}$ ". Firmly hold it in place and mark hole positions on the floor. Set the block aside and drill the holes in the floor.

Attach the anchors then use the Countersunk Screw ST4.2x30 (16) to secure it to the floor.



DETAIL A

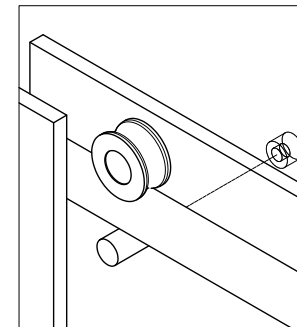
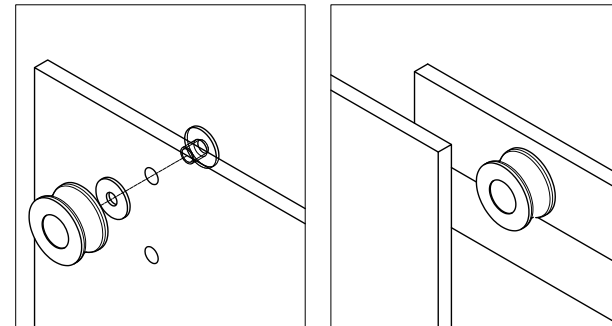


ROLLERS

11. Affix the Rollers (04) to the Glass Door (05). Hang the Rollers onto the Upper Guide Rail (03) to suspend the door. Slide the lower edge of the Glass Door into the groove found on the Guide Block (12). Make necessary adjustments to the fasteners to guarantee the lower edge of the Glass Door does NOT touch the bottom of the Guide Block. Secure the door to the Upper Guide Rail by mounting the two Roller Guards (20) on the door.

12. See Step 8 for details on cutting the Threshold Cover (14) to size. Place the Threshold Cover onto the threshold while the door is open. Refer to Figure 13 for details.

13. Attach the Anti-Water Strip (17) to the vertical edges of the Stationary Glass (02) and Glass Door (05). Press the Bumper Strip (13) onto the vertical edge of the Glass Door. Affix the Handle (06) to the Glass Door. Make necessary adjustments to each Door Stopper (01) to guarantee they are positioned upright and the Glass Door allows for optimal range for opening and closing. Fasten the screws in place by tightening them.



ROLLERS

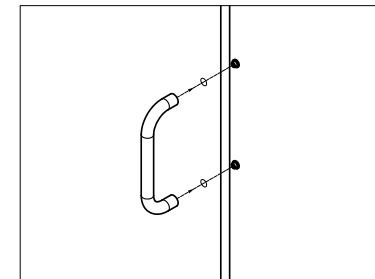
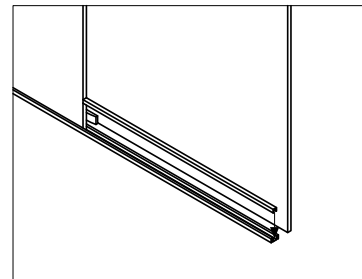
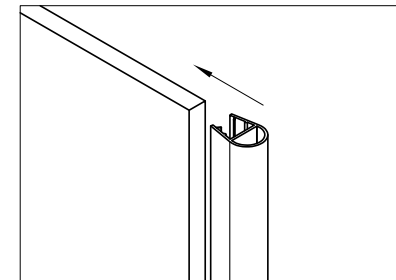
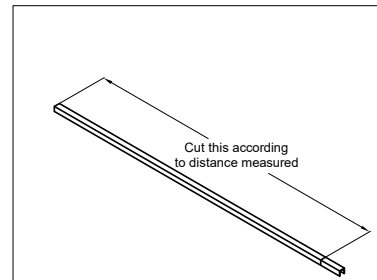
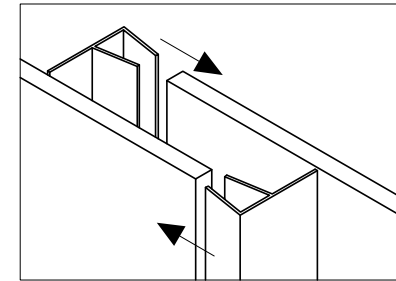
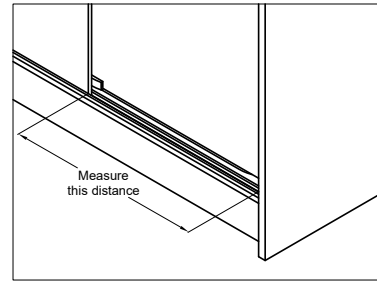
14. Add Kitchen and Bath silicone along the area where the Stationary Glass and Wall and the Threshold or Shower Base connect. Clean the silicone using the Silicone Cleaner (20) tool.

WARNING: WAIT 24 HOURS BEFORE USING THE SHOWER ENCLOSURE TO ALLOW THE SILICONE GEL TO DRY COMPLETELY.

Guarantee a longer life of the hardware finish by wiping off the metal parts with a soft cloth after each use. Avoid using abrasive cleaners and products especially those that contain bleach, acid, or ammonia. In the case that these chemicals are used, thoroughly rinse the surface as soon as possible and wipe dry with a soft cloth. Stainless-steel surfaces should be cleaned once a week or as needed. When applying a stainless-steel polish or cleaner, work with the grain and not against it. Avoid the use of abrasive tools such as wired brushes, abrasive cloths or sponges, or steel wool.

Tempered Glass: Nonabrasive bathroom cleaners and your usual glass cleaner may be used to clean tempered glass. Be sure to thoroughly rinse off any cleaner. Do NOT strike the glass with any hard or sharp object as it could cause immediate damage or cause the glass to eventually break.

Wheel Maintenance: To keep the roller movement smooth, apply a small amount of lubricating oil. Periodically adjust the wheel screw to ensure the moving door slides smoothly and the bearing functions effectively.



MAINTENANCE

Guarantee a longer life of the hardware finish by wiping off the metal parts with a soft cloth after each use. Avoid using abrasive cleaners and products especially those that contain bleach, acid, or ammonia. In the case that these chemicals are used, thoroughly rinse the surface as soon as possible and wipe dry with a soft cloth. Stainless-steel surfaces should be cleaned once a week or as needed. When applying a stainless-steel polish or cleaner, work with the grain and not against it. Avoid the use of abrasive tools such as wired brushes, abrasive cloths or sponges, or steel wool.

Tempered Glass: Nonabrasive bathroom cleaners and your usual glass cleaner may be used to clean tempered glass. Be sure to thoroughly rinse off any cleaner. Do NOT strike the glass with any hard or sharp object as it could cause immediate damage or cause the glass to eventually break.

Wheel Maintenance: To keep the roller movement smooth, apply a small amount of lubricating oil. Periodically adjust the wheel screw to ensure the moving door slides smoothly and the bearing functions effectively.