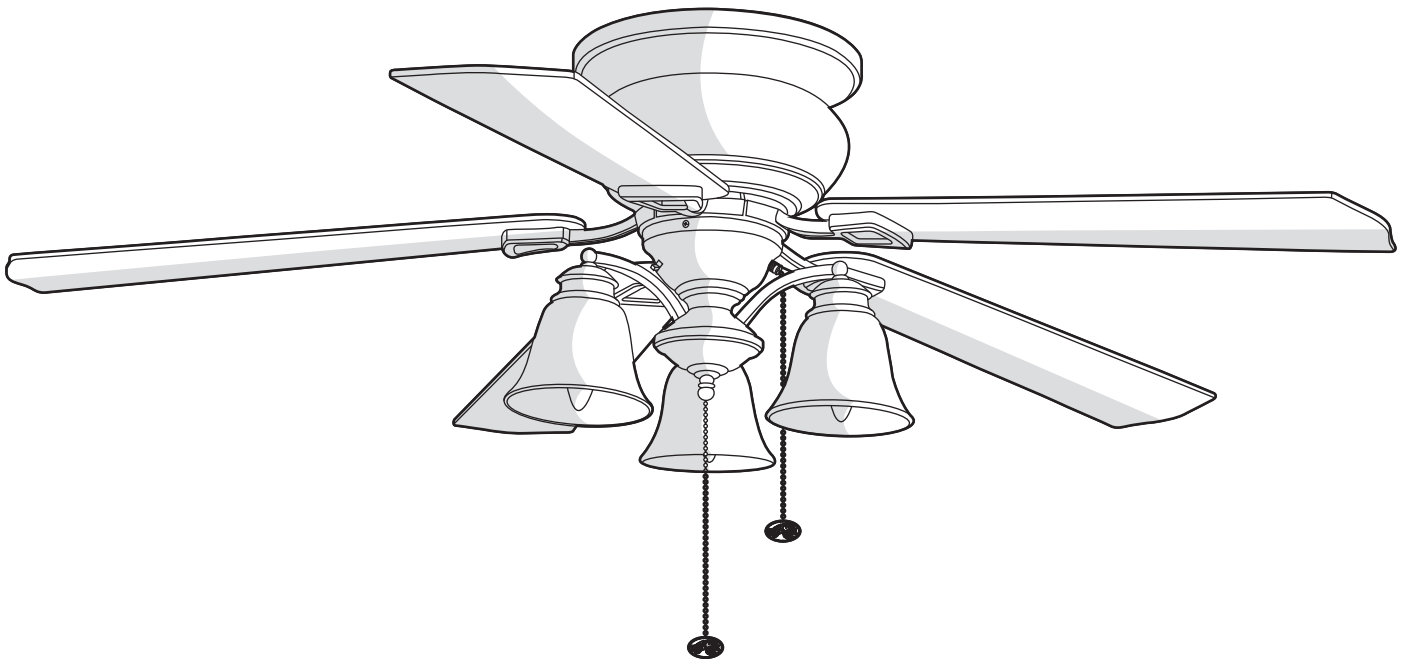




Item #182-596
Model #14413

USE AND CARE GUIDE

EASTVALE 52 INCH CEILING FAN



Questions, problems, missing parts? Before returning to the store,
call Hampton Bay Customer Service
8 a.m. - 6 p.m., EST, Monday-Friday

1-800-527-0998

HAMPTONBAY.COM



THANK YOU

We appreciate the trust and confidence you have placed in Hampton Bay through the purchase of this ceiling fan. We strive to continually create quality products designed to enhance your home. Visit us online to see our full line of products available for your home improvement needs. Thank you for choosing Hampton Bay!

Table of Contents

Table of Contents	2	Operation	14
Safety Information	3	Pull Chain Operating Instructions	14
Warranty	4	Reverse Switch Operating Instructions	14
Pre-installation	4	Care and Cleaning	15
Specifications	4	Troubleshooting	16
Tools Required	4	Service Parts	17
Hardware Included	5		
Package Contents	6		
Installation	7		
Assembly	8		
Hanging the Fan	8		
Attaching the Fan Blades	11		
Installing the Light Kit	12		

Safety Information

- Read and save these instructions.
- To reduce the risk of electric shock, ensure electricity has been turned off at the circuit breaker or fuse box before beginning.
- All wiring must be in accordance with the National Electrical Code “ANSI/NFPA 70-1999” and local electrical codes. Electrical installation should be performed by a qualified licensed electrician.
- The outlet box and support structure must be securely mounted and capable of reliably supporting a minimum of 35 lbs. Use only UL-listed outlet boxes marked “FOR FAN SUPPORT.”
- The fan must be mounted with a minimum of 7 ft. clearance from the trailing edge of the blades to the floor.
- To avoid personal injury or damage to the fan and other items, be cautious when working around or cleaning the fan.
- Do not use water or detergents when cleaning the fan or fan blades. A dry dust cloth or lightly dampened cloth will be suitable for most cleaning.
- After making electrical connections, spliced conductors should be turned upward and pushed carefully up into the outlet box. The wires should be spread apart with the grounded conductor and the equipment-grounding conductor on one side of the outlet box and ungrounded conductor on the other side of the outlet box.
- All setscrews must be checked and retightened where necessary before installation.



WARNING: To reduce the risk of electrical shock or fire, do not use this fan with any solid-state fan speed control device. It will permanently damage the electronic circuitry.



WARNING: To reduce the risk of personal injury, do not bend the blade arms (also referred to as flanges), when installing the brackets, balancing the blades, or cleaning the fan.



WARNING: Do not insert foreign objects between rotating fan blades.



WARNING: To reduce the risk of fire, electric shock, or personal injury, mount the fan to the outlet box marked acceptable for fan support with the screws provided with the outlet box.



CAUTION: To reduce the risk of personal injury, use only the screws provided with the outlet box.

Warranty

We warrant the fan motor to be free from defects in workmanship and material present at time of shipment from the factory for a period of lifetime after the date of purchase by the original purchaser. We also warrant that all other fan parts, excluding any glass or acrylic blades, to be free from defects in workmanship and material at the time of shipment from the factory for a period of one year after the date of purchase by the original purchaser. We agree to correct such defects without charge or at our option replace with a comparable or superior model if the product is returned. To obtain warranty service, you must present a copy of the receipt as proof of purchase. All costs of removing and reinstalling the product are your responsibility. Damage to any part such as by accident, misuse, improper installation or by affixing any accessories, is not covered by this warranty. Because of varying climatic conditions this warranty does not cover any changes in brass finish, including rusting, pitting, corroding, tarnishing or peeling. Brass finishes of this type give their longest useful life when protected from varying weather conditions. A certain amount of "wobble" is normal and should not be considered a defect. Servicing performed by unauthorized persons shall render the warranty invalid. There is no other express warranty. We hereby disclaim any and all warranties, including but not limited to those of merchantability and fitness for a particular purpose to the extent permitted by law. The duration of any implied warranty which cannot be disclaimed is limited to the time period as specified in the express warranty. Some states do not allow limitation on how long an implied warranty lasts, so the above limitation may not apply to you. The retailer shall not be liable for incidental, consequential, or special damages arising out of or in connection with product use or performance except as may otherwise be accorded by law. Some states do not allow the exclusion of incidental or consequential damages, so the above exclusion or limitation may not apply to you. This warranty gives specific legal rights, and you may also have other rights which vary from state to state. This warranty supersedes all prior warranties. Shipping costs for any return of product as part of a claim on the warranty must be paid by the customer.

Contact the Customer Service Team at 1-800-527-0998 or visit www.hamptonbay.com.

Pre-Installation

SPECIFICATIONS

Fan size	Speed	Volts	Amps	Watts	RPM	CFM	N.W.	G.W.	C.F.
52 in.	Low	120	0.24	14.8	78	2051.62	8.63 kgs (18.99 lbs)	9.84 kgs (21.65 lbs)	2.145 ft.
	Medium		0.34	28.8	115	3159.53			
	High		0.46	54.8	160	4500.85			



NOTE: These are approximate measures. They do not include amps and wattage used by the light kit.

TOOLS REQUIRED

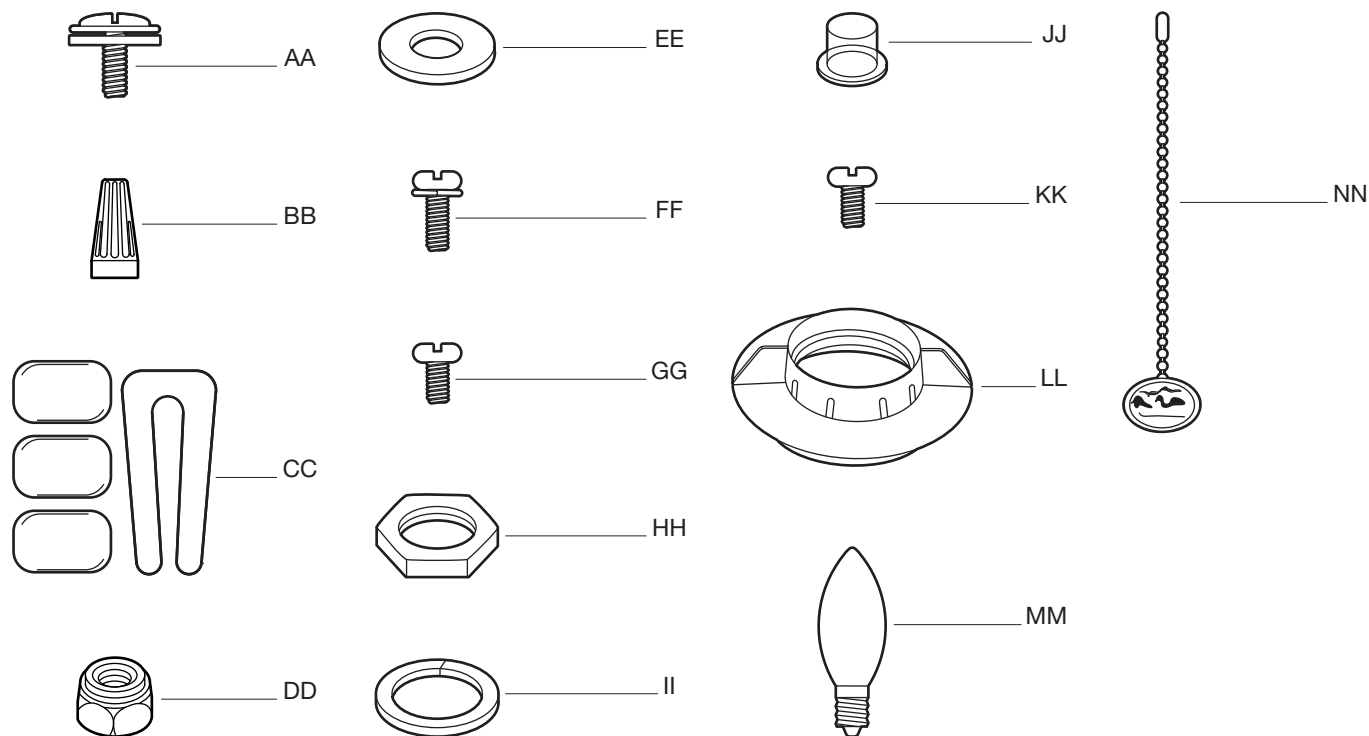


Pre-Installation (continued)

HARDWARE INCLUDED



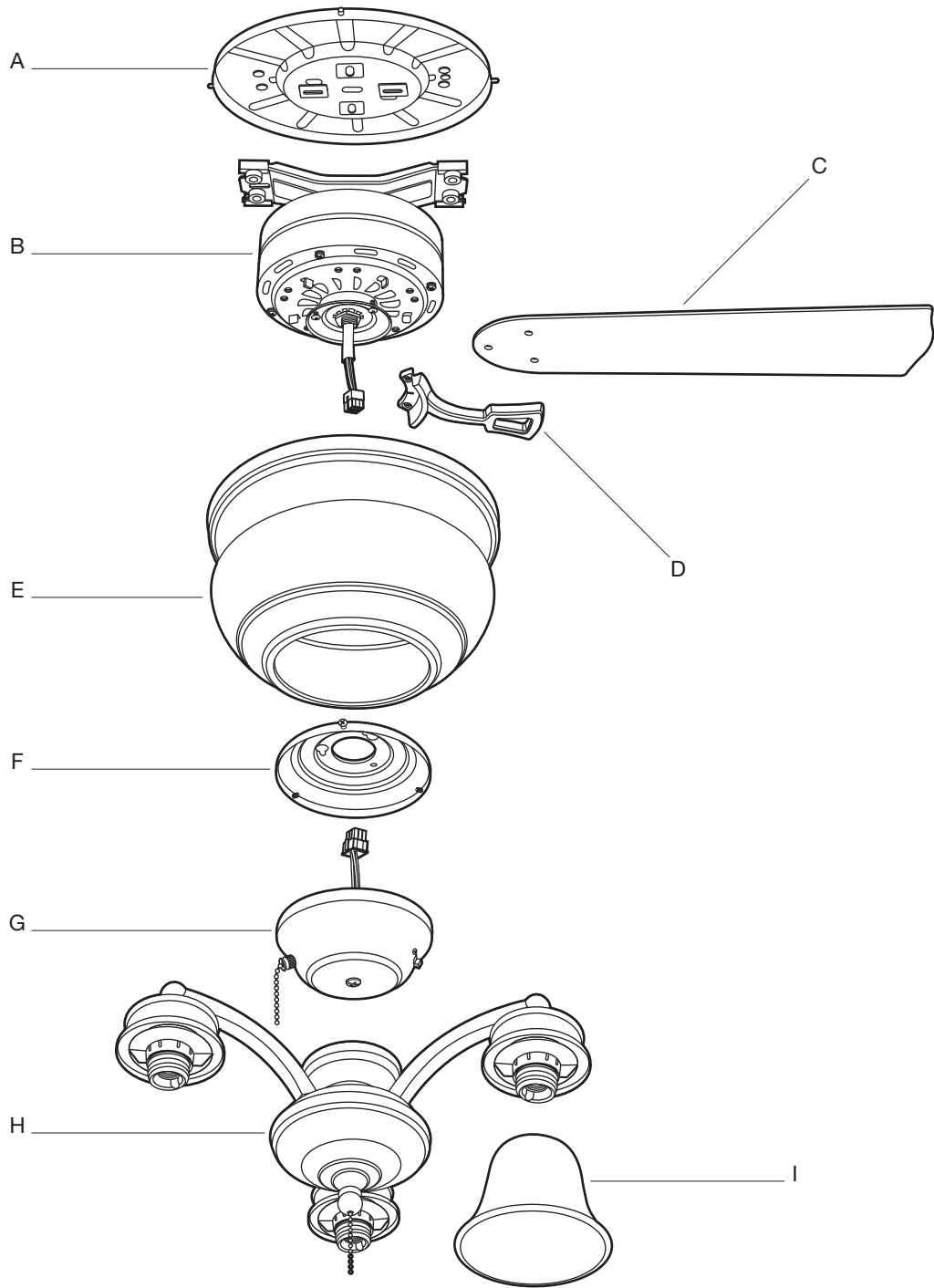
NOTE: Hardware shown to actual size unless noted otherwise in the table below.



Part	Description	Quantity
AA	Blade attachment hardware (3/16 in.*7.5mm screws+fiber washers)	16
BB	Plastic wire nut	3
CC	Balance kit (not to scale)	1
DD	Nuts (preassembled)	4
EE	Washers (preassembled)	4
FF	Blade arm screws (preassembled) (1/4 in.*1/2mm screws+SWS)	10
GG	Mounting ring screws (preassembled) (5/32 in.*8mm screws)	3
HH	Nuts	1
II	Lock washers	1
JJ	Plastic plug (preassembled)	1
KK	Light kit plate screws (preassembled) (5/32 in.*8mm screws)	3
LL	Lock rings (preassembled)	3
MM	60 Watt candelabra bulbs (not to scale)	3
NN	Pull chains and fobs (not to scale)	2

Pre-Installation (continued)

PACKAGE CONTENTS



Part	Description	Quantity
A	Mounting bracket	1
B	Fan motor assembly	1
C	Blades	5
D	Blade arms	5
E	Motor housing	1

Part	Description	Quantity
F	Light kit mounting plate	1
G	Switch housing	1
H	Light kit	1
I	Glass shades	3

Installation

MOUNTING OPTIONS

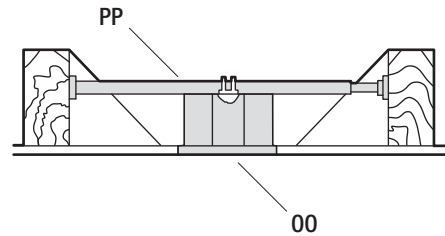
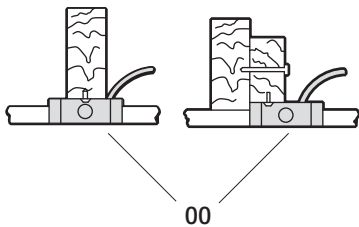
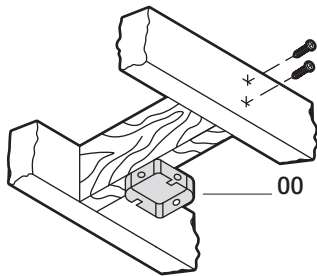


WARNING: To reduce the risk of fire, electric shock, or personal injury, mount the fan to an outlet box marked acceptable for fan support using the screws provided with the outlet box. An outlet box commonly used for the support of lighting fixtures may not be acceptable for fan support and may need to be replaced. If in doubt, consult a qualified electrician.

If your ceiling fan does not have an existing UL-listed mounting box, then install one using the following instructions:

- Disconnect the power by removing the fuses or turning off the circuit breakers.
- Secure the outlet box (00) (not included) directly to the building structure. Use appropriate fasteners and materials (not included). The outlet box and its bracing must be able to fully support the weight of the moving fan (at least 35 lbs.). Do not use a plastic outlet box.

The illustrations below show two different ways to mount the outlet box (00) (not included).



To hang your fan where there is an existing fixture but no ceiling joist, you may need an installation hanger bar (PP) (not included) as shown above.

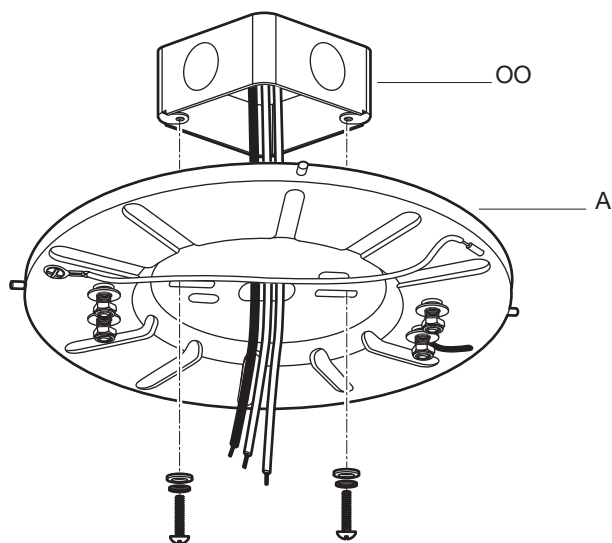
Assembly – Hanging the Fan

1 Attaching the mounting bracket to the electrical box



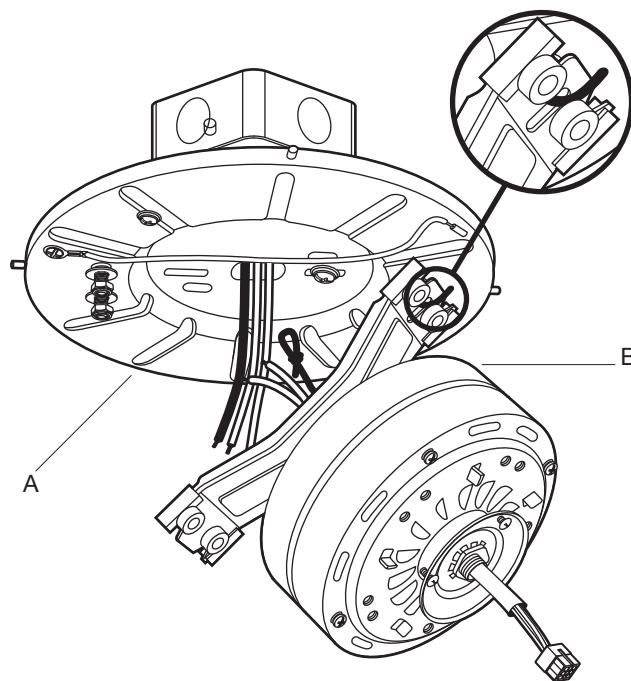
WARNING: To reduce the risk of fire, electric shock, or other personal injury, mount the fan only to an outlet box or supporting system marked acceptable for fan support and use the mounting screws provided with the outlet box.

- Attach the mounting bracket (A) to the outlet box (OO) (not included) with two screws and washers provided with the outlet box (OO). Ensure the mounting bracket (A) is tight and secured.



2 Hanging the fan motor assembly from the mounting bracket

- Place the fan motor assembly (B) onto the hook from the ceiling mounting bracket (A), and allow it to hang freely.



Assembly — Hanging the Fan (continued)

3 Making the electrical connections



WARNING: To avoid possible electrical shock, be sure electricity is turned off at the main fuse box before wiring.



WARNING: Check to see that all connections are tight, including the ground, and that no bare wire is visible at the wire nuts (except for the ground wire).



WARNING: Electrical diagrams are for reference only. Optional use of any light kit shall be UL listed and marked suitable for use with this fan.

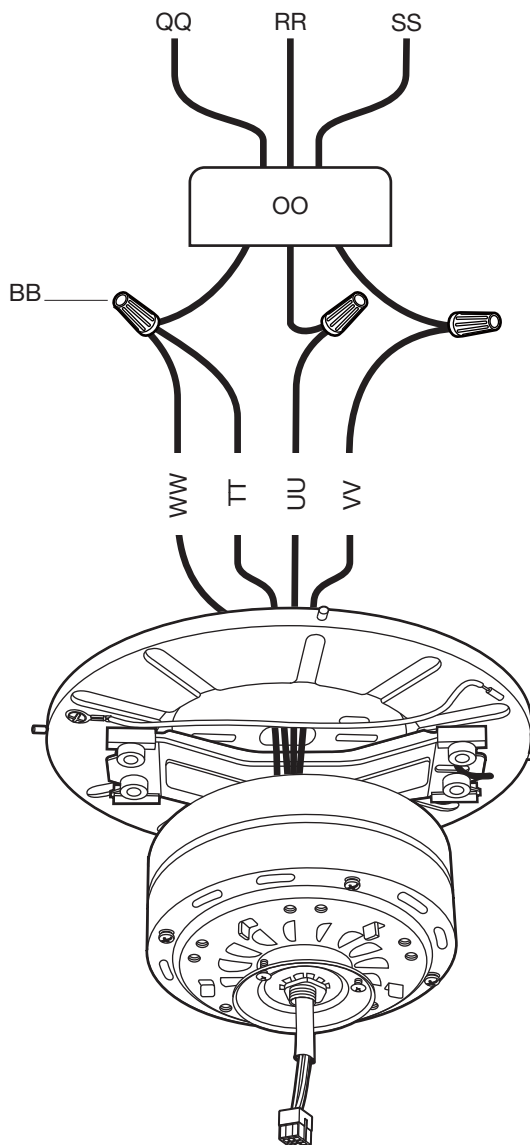


WARNING: To reduce the risk of fire or electric shock, do not use this fan with any solid-state speed control device.

If you feel you do not have enough electrical wiring knowledge or experience, have your fan installed by a licensed electrician.

Follow the steps below to connect the fan to your household wiring. Use the plastic wire nuts (BB) with your fan. Secure the wire nuts with electrical tape. Make sure there are no loose strands or connections.

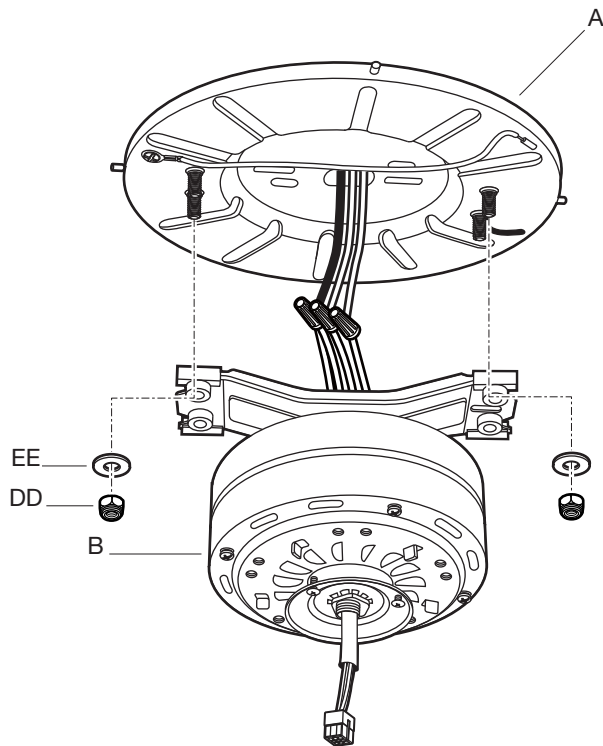
- Connect the ground conductor (SS) of the 120V supply (this may be a bare wire or a wire with green colored insulation) to the green ground lead(s) (VV) of the fan.
- Connect the fan motor white wire (UU) to the supply white (neutral) wire (RR) using a wire nut (BB).
- Connect the fan motor black wire (TT) and the blue wire (WW) to the supply black (hot) wire (QQ) using a wire nut (BB).
- Turn the wire nut connections upward, spreading them apart so the green (ground) will be on one side of the outlet box (OO) and the white (UU), black (TT) and blue (WW) wires will be on the other side, and push carefully up into the outlet box (OO).



Assembly — Hanging the Fan (continued)

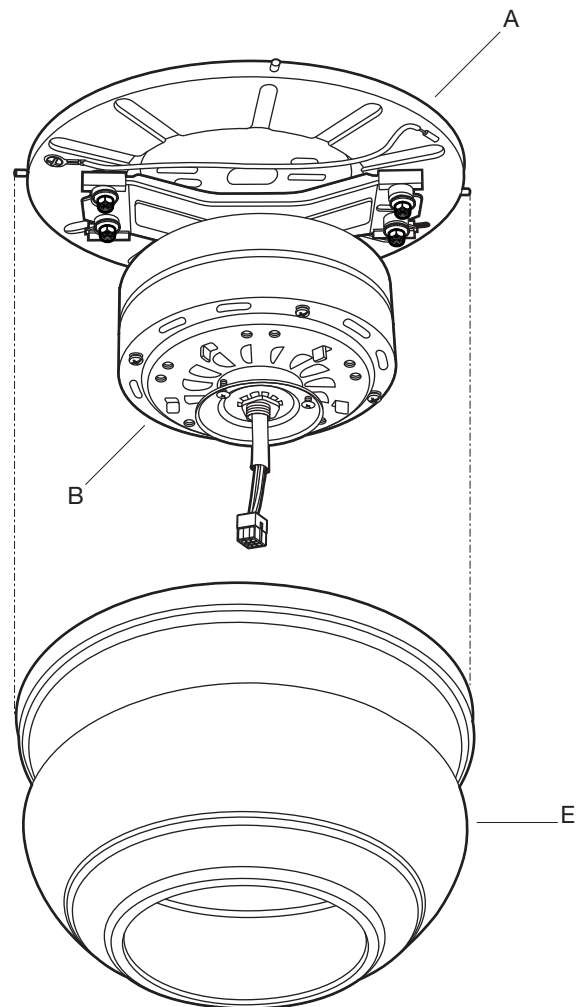
4 Attaching the fan motor assembly to the mounting bracket

- Move the fan motor assembly (B) into position over the four mounting bracket (A) studs and secure with the provided washers (EE) and nuts (DD).



5 Attaching the motor housing to the mounting bracket

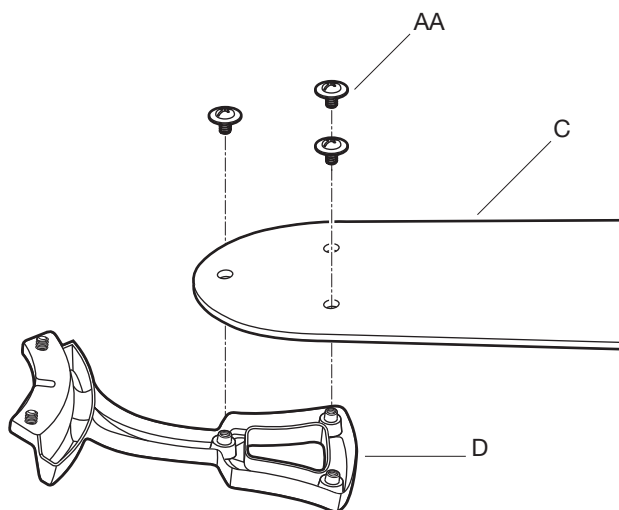
- Raise the motor housing (E) up against the mounting bracket (A).
- The four supports inside the motor housing (E) should be placed against the four studs on the mounting bracket (A).
- Twist the motor housing (E) clockwise until snug.



Assembly — Attaching the Fan Blades

6 Attaching the blades to the blade arms

- Attach the blades (C) to the blade arms (D) using the three blade attachment screws and fiber washers (AA). Start a screw with fiber washer (AA) into the blade arm (D), but do not tighten.
- Repeat for the two remaining blade attachment screws and fiber washers (AA).
- Tighten each screw securely starting with the center screw. Make sure the blade (C) is straight.
- Repeat these steps for the remaining blades.

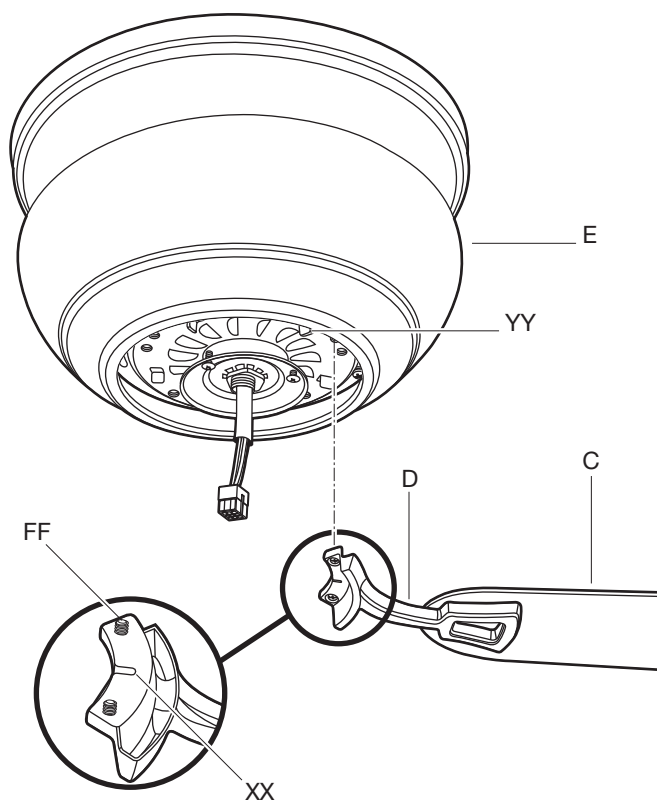


7 Attaching the blade assemblies to the motor



WARNING: To reduce the risk of personal injury, do not bend the blade arms (D) while installing, balancing the blades (C), or cleaning the fan. Do not insert foreign objects between rotating fan blades (C).

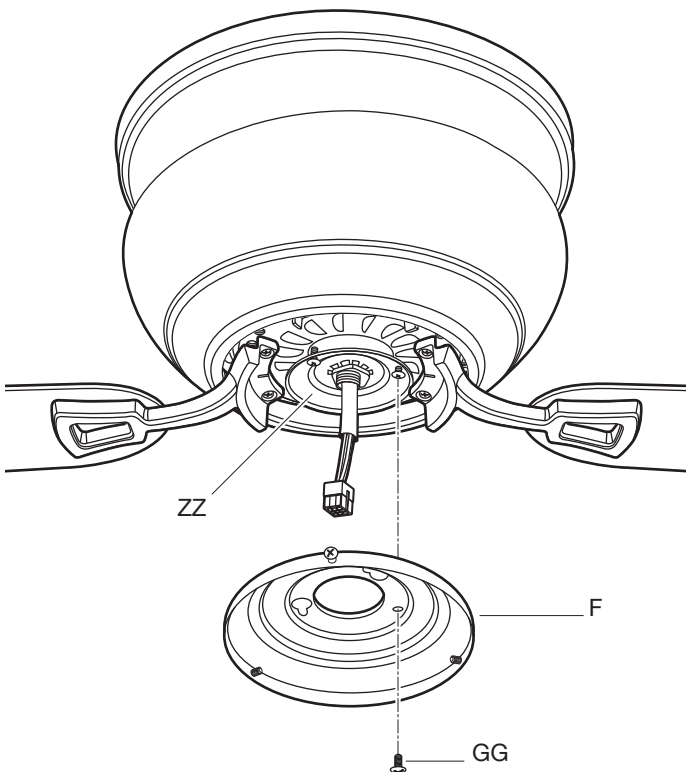
- Attach the blade assemblies to the fan motor assembly (E) by lining up the slots of the blade arms (XX) with the tabs on the motor (YY).
- Tighten the two blade arm screws and lock washers (FF) already installed in the blade arms (D).
- Repeat this procedure for the remaining blade arms (D).



Assembly – Installing the Light Kit

8 Attaching the light kit mounting plate to the mounting ring

- Remove one of three mounting ring screws (GG) from the mounting ring (ZZ) and loosen the other two screws. (Do not remove)
- Place the key holes in the light kit mounting plate (F) over the two screws (GG) previously loosened from the mounting ring (ZZ), and turn the light kit mounting plate (F) until it locks in place at the narrow section of the key holes.
- Secure by tightening the two mounting ring screws (GG) previously loosened and replacing the one previously removed.

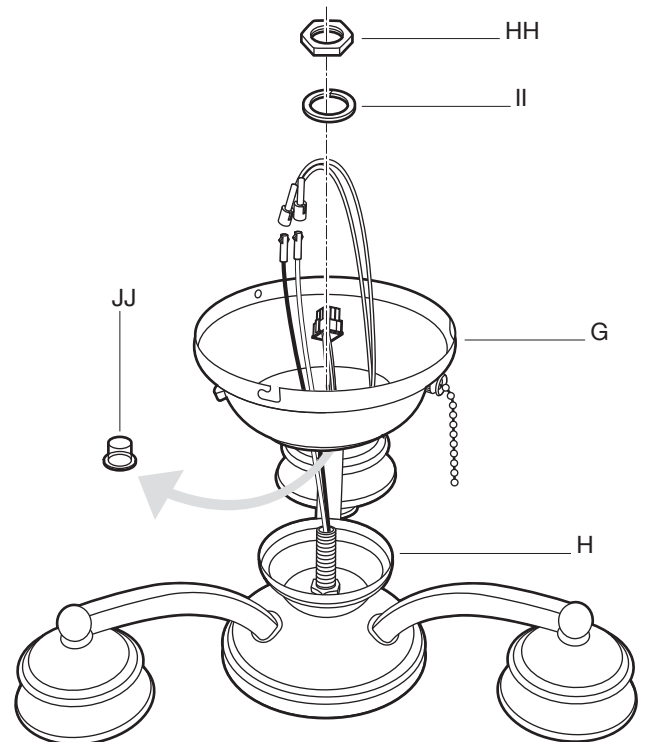


9 Attaching the light kit to the switch housing



NOTE: Retain the plug (JJ) to reinsert when not using the light kit (H).

- Remove the plug (JJ) from the switch housing (G).
- Carefully feed the light kit (H) wires (black and white) through the hole in the switch housing (G).
- Attach the light kit (H) to the switch housing (G) using the nut (HH) and lock washer (II).
- Tighten securely to prevent the light kit (H) from vibrating loose.



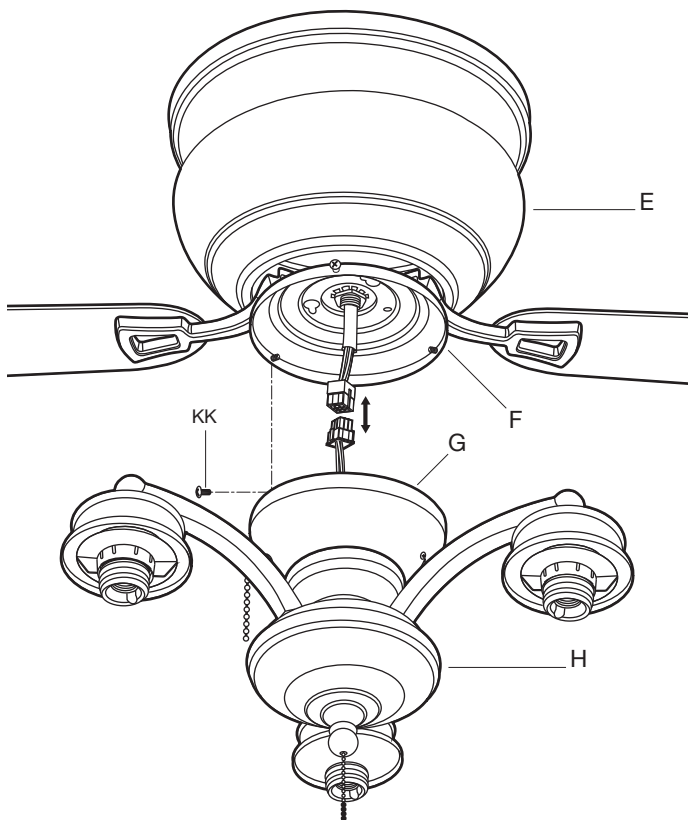
Assembly – Installing the Light Kit (continued)

10 Attaching the light kit assembly to the mounting plate



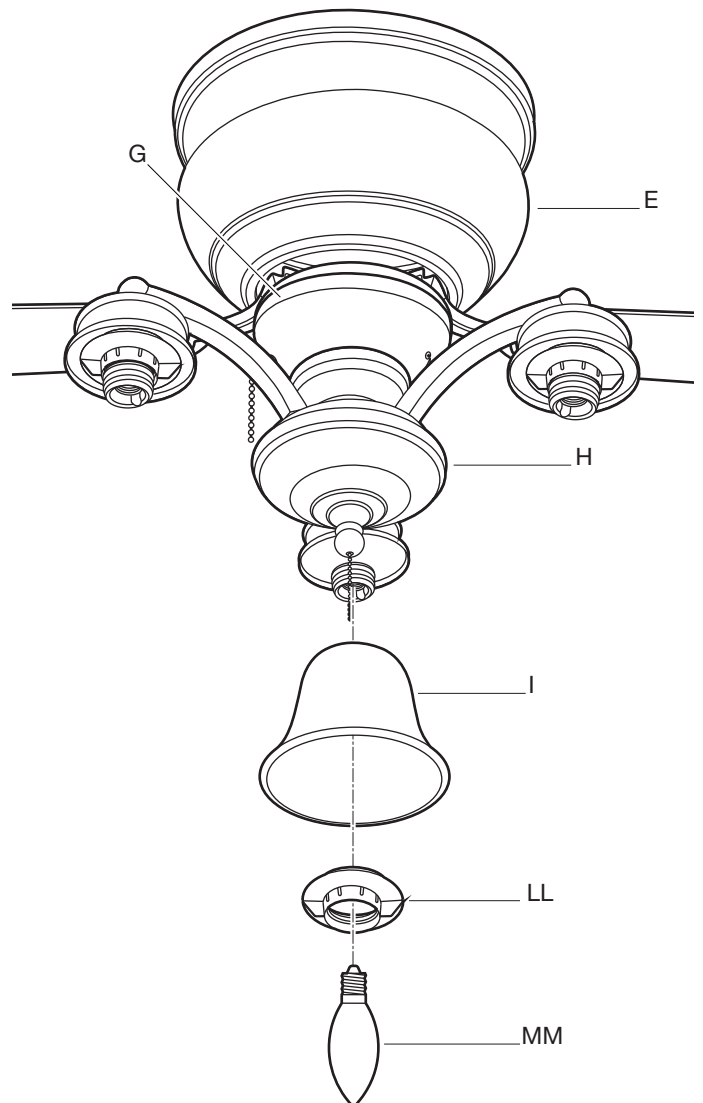
CAUTION: Before starting installation, disconnect the power by turning off the circuit breaker or removing the fuse at the fuse box. Turning power off using the fan switch is not sufficient to prevent electric shock.

- While holding the light kit assembly (H) under your fan, snap together the wire connection plugs.
- Carefully push all wires back into the switch housing (G), and install the light kit assembly (H) onto the mounting plate (F) with three screws (KK) provided. Ensure that all screws are tightened securely.



11 Installing the glass shades and bulbs

- Remove the lock rings (LL) from the sockets by turning the lock rings (LL) clockwise until they unlock. Insert the glass shades (I) into the glass holders and turn the lock rings (LL) counterclockwise to tighten the glass shades (I). Repeat for the remaining glass shades (I).
- Install the three 60W candelabra bulbs (MM) (included).



Operation

PULL CHAIN OPERATING INSTRUCTIONS

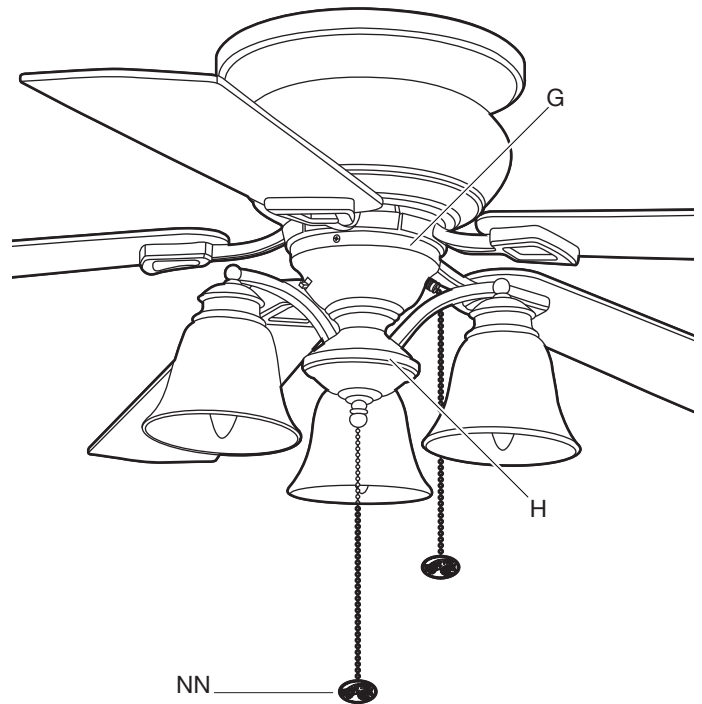
Install two pull chains and fobs (NN) onto the pull chains located in the switch housing (G) and light kit (H). Turn on the power and check the operation of the fan.

The 3-speed pull chain controls the fan speed as follows:

1 pull - High, 2 pulls - Medium, 3 pulls - Low, and 4 pulls - Off.

Speed settings for warm or cool weather depend on factors such as the room size, ceiling height, and number of fans.

To turn the light kit On or Off, pull the chain that is attached to the light kit (H).



REVERSE SWITCH OPERATING INSTRUCTIONS

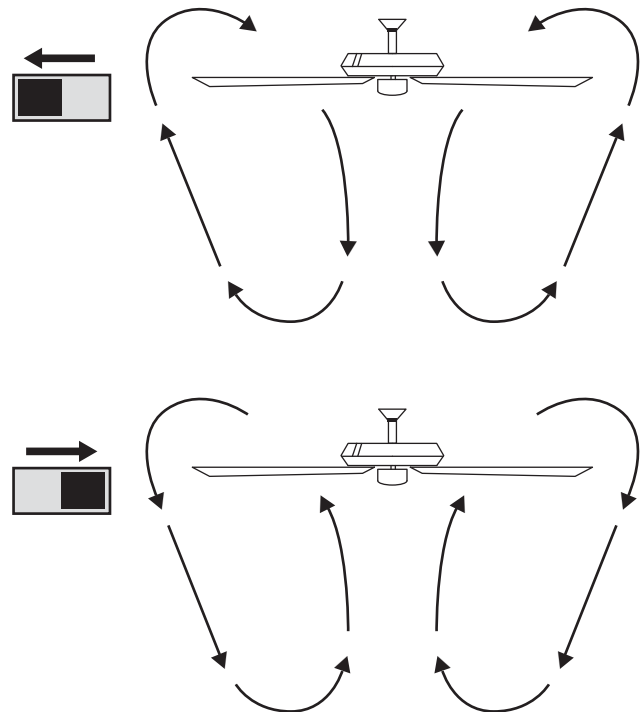
The reverse switch is located on the surface of the switch housing. This switch controls directions: forward (switch left) or reverse (switch right).



NOTE: Wait for the fan to stop before reversing the direction of the blade rotation.

Warm weather - (Counterclockwise Direction) A downward air flow creates a cooling effect. This allows you to set your air conditioner on a warmer setting without affecting your comfort.

Cool weather - (Clockwise Direction) An upward air flow moves warm air off the ceiling. This allows you to set your heating unit on a cooler setting without affecting your comfort.



Care and Cleaning

Do

- Check the support connections, brackets, and blade attachments twice a year. Make sure they are secure. Because of the fan's natural movement, some connections may become loose over time. It is not necessary to remove the fan from the ceiling.
- Clean your fan periodically. Use only a soft brush or lint-free cloth to avoid scratching the finish. The plating is sealed with a lacquer to minimize discoloration or tarnishing.
- (Optional) Apply a light coat of furniture polish to the wood blades.
- (Optional) Cover small scratches with a light application of shoe polish.

Do not

- Do not use water when cleaning. Water could damage the motor, or the wood, or possibly cause an electrical shock.
- Do not apply oil to your fan or motor. The motor has permanently-lubricated sealed ball bearings.

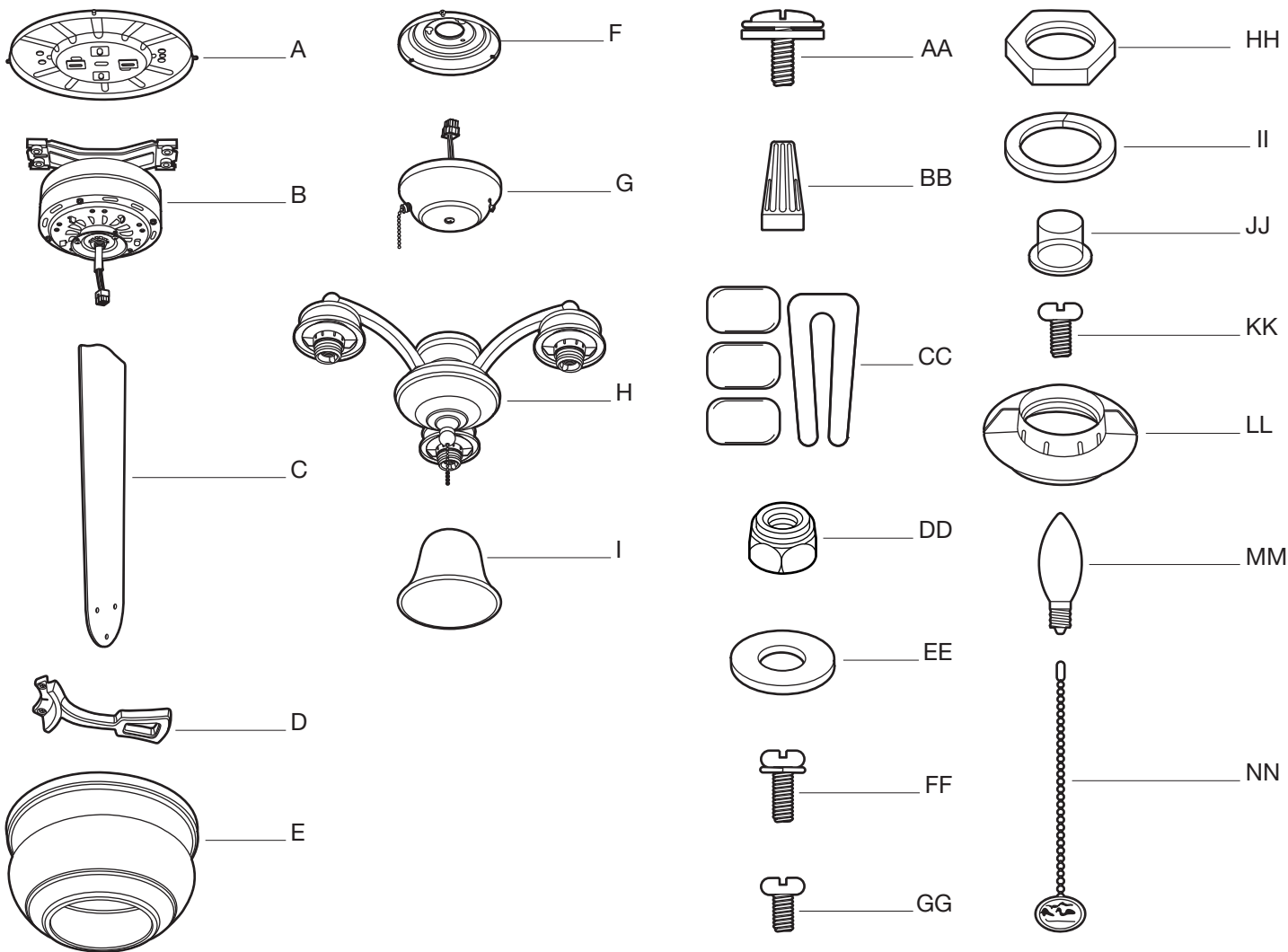
Troubleshooting



WARNING: Make sure the power is off at the electrical panel box before you attempt any repairs. Refer to the section "Making the Electrical Connections" on page 9.

Problem	Solution
The fan will not start.	<input type="checkbox"/> Check main and branch circuit fuses or breakers.
	<input type="checkbox"/> Check line wire connections to the fan and switch wire connections in the switch housing.
The fan sounds noisy.	<input type="checkbox"/> Make sure all motor housing screws are snug.
	<input type="checkbox"/> Make sure the screws that attach the fan blade arm to the motor hub are tight.
	<input type="checkbox"/> Make sure wire nut connections are not rattling against each other or the interior wall of the switch housing.
	<input type="checkbox"/> Allow a 24-hour "breaking-in" period. Most noises associated with a new fan disappear during this time.
	<input type="checkbox"/> If using the ceiling light kit, make sure the screws securing the glassware are tight. Check that the light bulb is also secure.
The fan wobbles.	<input type="checkbox"/> Make sure there is a short distance from the ceiling to the canopy. It should not touch the ceiling.
	<input type="checkbox"/> Make sure your ceiling box is secure and rubber isolator pads are used between the mounting bracket and outlet box.
	<input type="checkbox"/> Check that all blade and blade arm screws are secure.
The fan wobbles.	<input type="checkbox"/> Most fan wobble problems are caused when blade levels are unequal. Check this level by selecting a point on the ceiling above the tip of one of the blades. Measure from a point on the center of each blade to the point on the ceiling. Rotate the fan until the next blade is positioned for measurement. Repeat for each blade. Any measurement deviation should be within 1/8 in. Run the fan for ten minutes.
	<input type="checkbox"/> Use the enclosed blade balancing kit if the blade wobble is still noticeable.

Service Parts



Part	Description
A	Mounting bracket
B	Fan motor assembly
C	5 blades
D	5 blade arms
E	Motor housing
F	Light kit mounting plate
G	Switch housing
H	Light kit
I	Glass shade
AA	Blade attachment hardware (3/16 in.*7.5mm screws+fiber washers)
BB	Plastic wire nut
CC	Balance kit

Part	Description
DD	Nuts (preassembled)
EE	Washers (preassembled)
FF	Blade arm screws (1/4 in.*1/2mm screws+SWS)
GG	Mounting ring screws (5/32 in.*8mm screws)
HH	Nuts (preassembled)
II	Lock washers (preassembled)
JJ	Plastic plug (preassembled)
KK	Light kit plate screws (5/32 in.*8mm screws)
LL	Lock rings (preassembled)
MM	60 Watt candelabra bulbs
NN	Pull chains and fobs



Questions, problems, missing parts? Before returning to the store,
call Hampton Bay Customer Service
8 a.m. - 6 p.m., EST, Monday-Friday

1-800-527-0998

HAMPTONBAY.COM

Retain this manual for future use.

YG252000001-C