

---

Assembly Instructions

Instructions d'assemblage

Instrucciones de ensamblado

組み立てプラン付き

---



---

Before beginning, review these instructions completely.

Always check local building codes.

Select roof and trim materials, and door hardware, (not included in Material List) if desired.

T-Hinge recommended for door. Other types of hinges may require modification to door width.

---

---

Avant de commencer, bien lire au complet ces instructions.

Toujours vérifier les codes locaux du bâtiment.

Sélectionner les matériaux de toit et de garniture, et la quincaillerie de porte, (non compris dans la Liste des matériaux) si désiré.

Charnières en T recommandées pour la porte. D'autres types de charnières peuvent nécessiter une modification à la largeur de la porte.

---

---

Antes de empezar, lea estas instrucciones completamente.

Siempre verifique los códigos de construcción locales.

Seleccione los materiales para el techo y el borde, y la herrajería para puertas (no incluida en la lista de materiales), si lo desea.

Se recomienda bisagra en T para la puerta. Otros tipos de bisagra pueden requerir modificación del ancho de la puerta.

---

---

始める前に、この説明書をすべてお読みください。

お住まいの地域の建築基準法を必ず確認してください。

材料リストには載っていない屋根材やトリム（装飾）、そしてドア金具などをお好みで選択してください。

ドアにはT型のちょうつがいをお勧めします。その他のちょうつがいは、ドアの幅を調節する必要があることがあります。

---

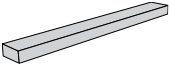
7 ft. x 8 ft.  
[2134 mm x 2438 mm]

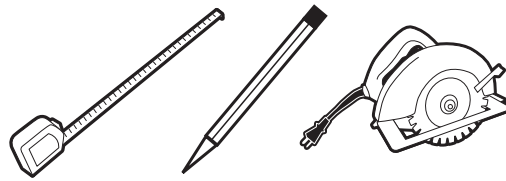
8 ft. x 14 ft.  
[2438 mm x 4267 mm]

10 ft. x 22 ft.  
[3048 mm x 6706 mm]

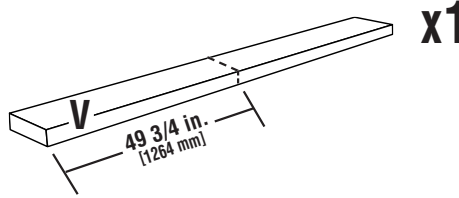
1 1/4 in.  
[32 mm]  **3 lbs.**  
[1.4 kg]

2 1/2 in.  
[64 mm]  **3 lbs.**  
[1.4 kg]

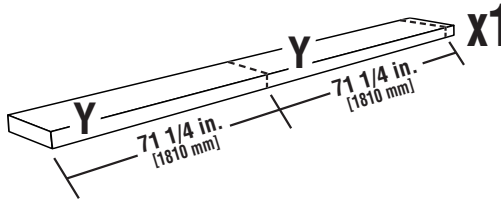
 = Pressure-treated  
Traité sous pression  
Tratado de presión  
加压注入



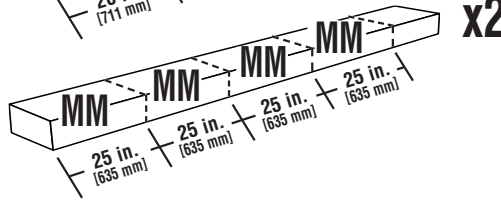
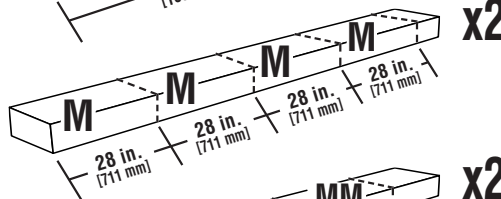
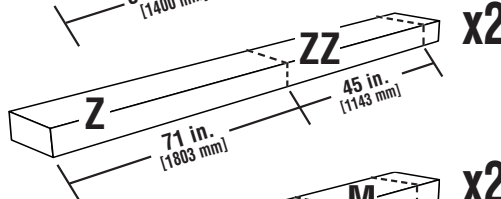
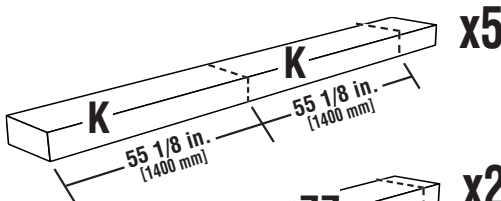
1x4 x 8 ft.  
[19 mm x 89 mm x 2438 mm]



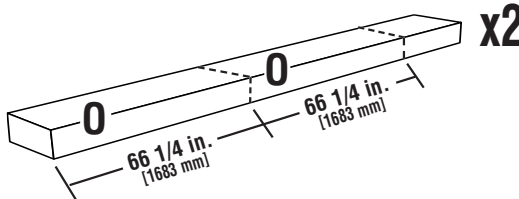
1x4 x 12 ft.  
[19 mm x 89 mm x 3658 mm]



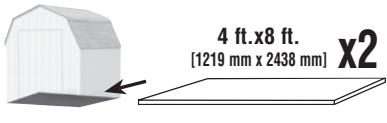
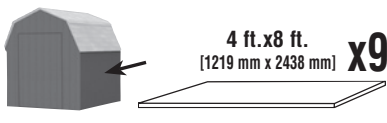
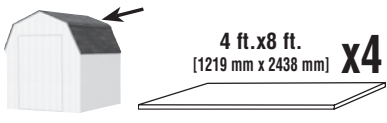
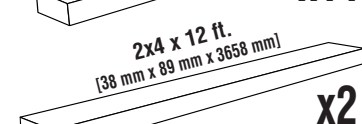
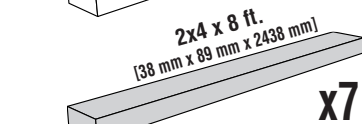
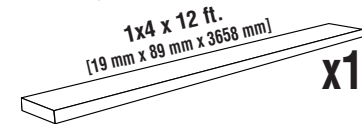
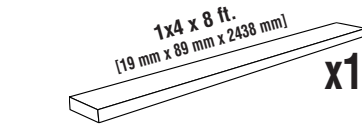
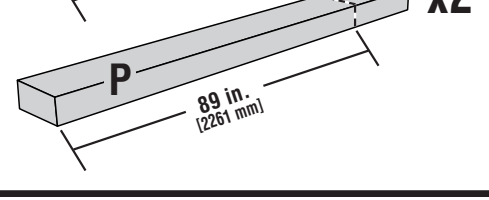
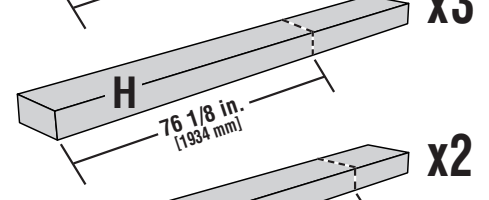
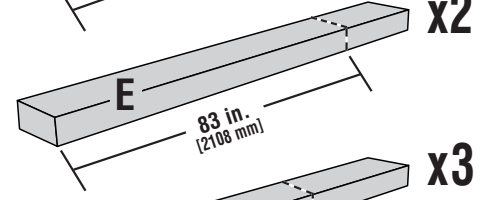
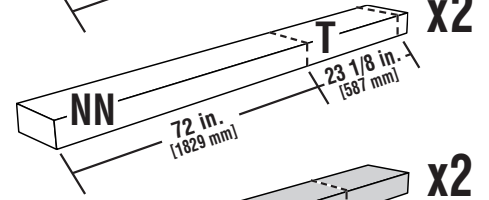
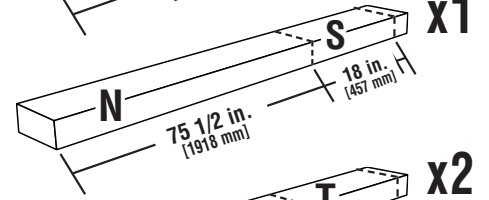
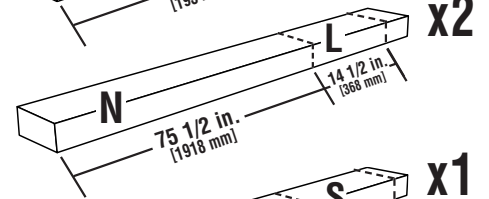
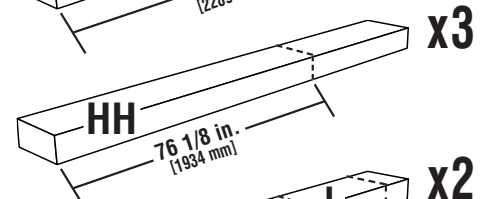
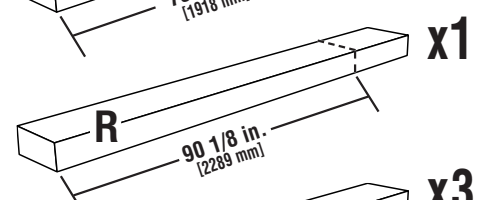
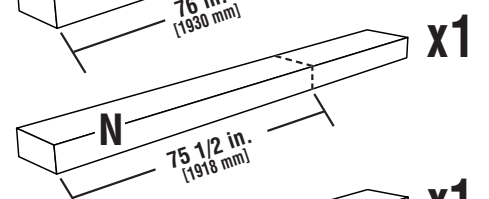
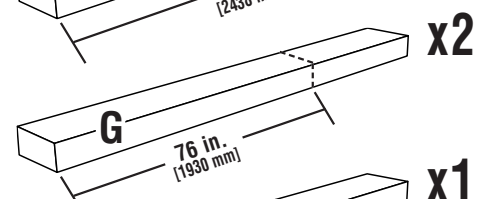
2x4 x 10 ft.  
[38 mm x 89 mm x 3048 mm]



2x4 x 12 ft.  
[38 mm x 89 mm x 3658 mm]



2x4 x 8 ft.  
[38 mm x 89 mm x 2438 mm]



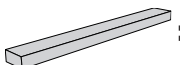
**7 ft. x 8 ft.**  
[2134 mm x 2438 mm]

**8 ft. x 14 ft.**  
[2438 mm x 4267 mm]

**10 ft. x 22 ft.**  
[3048 mm x 6706 mm]

**1 1/4 in.**  
[32 mm] **3 lbs.**  
[1.4 kg]

**2 1/2 in.**  
[64 mm] **3 lbs.**  
[1.4 kg]

 = Pressure-treated  
Traité sous pression  
Tratado de presión  
加圧注入

**1x4 x 8 ft.**  
[19 mm x 89 mm x 2438 mm] **x1**

**1x4 x 12 ft.**  
[19 mm x 89 mm x 3658 mm] **x1**

**2x4 x 8 ft.**  
[38 mm x 89 mm x 2438 mm] **x26**


**2x4 x 8 ft.**  
[38 mm x 89 mm x 2438 mm] **x8**


**2x4 x 10 ft.**  
[38 mm x 89 mm x 3048 mm] **x5**


**2x4 x 12 ft.**  
[38 mm x 89 mm x 3658 mm] **x12**

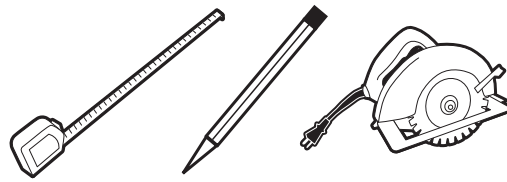
**2x4 x 16 ft.**  
[38 mm x 89 mm x 4877 mm] **x7**

**2x4 x 16 ft.**  
[38 mm x 89 mm x 4877 mm] **x2**

 **4 ft. x 8 ft.**  
[1219 mm x 2438 mm] **x8**

 **4 ft. x 8 ft.**  
[1219 mm x 2438 mm] **x14**

 **4 ft. x 8 ft.**  
[1219 mm x 2438 mm] **x4**



**1x4 x 12 ft.**  
[19 mm x 89 mm x 3658 mm]

**V**  
**Y** 83 1/4 in. [2115 mm] 49 3/4 in. [1264 mm] **x1**

**2x4 x 10 ft.**  
[38 mm x 89 mm x 3048 mm]

**R** 107 1/4 in. [2724 mm] **x1**

**MM** 30 in. [762 mm] 30 in. [762 mm] 30 in. [762 mm] 30 in. [762 mm] **x4**

**2x4 x 12 ft.**  
[38 mm x 89 mm x 3658 mm]

**K** 66 in. [1676 mm] 66 in. [1676 mm] **x8**

**M** 32 1/4 in. [819 mm] 32 1/4 in. [819 mm] 32 1/4 in. [819 mm] 32 1/4 in. [819 mm] **x4**

**2x4 x 16 ft.**  
[38 mm x 89 mm x 4877 mm]

**F** 168 in. [4267 mm] **x2**

**J** 168 in. [4267 mm] **x5**

**P** 161 in. [4089 mm] **x2**

**1x4 x 8 ft.**  
[19 mm x 89 mm x 2438 mm]

**Y** 83 1/4 in. [2115 mm] **x1**

**2x4 x 8 ft.**  
[38 mm x 89 mm x 2438 mm]

**G** 88 in. [2235 mm] **x2**

**N** 87 1/2 in. [2223 mm] **x4**

**O** 76 3/4 in. [1949 mm] **x8**

**Z** 83 in. [2108 mm] **x2**

**HH** 88 1/8 in. [2238 mm] **x6**

**NN** 84 in. [2134 mm] **x2**

**S** 23 1/8 in. [587 mm] 23 1/8 in. [587 mm] 23 1/8 in. [587 mm] **x1**

**ZZ** 45 in. [1143 mm] 45 in. [1143 mm] **x1**

**H** 88 1/8 in. [2238 mm] **x6**

**E** 95 in. [2413 mm] **x2**

7 ft. x 8 ft.

[2134 mm x 2438 mm]

8 ft. x 14 ft.

[2438 mm x 4267 mm]

10 ft. x 22 ft.

[3048 mm x 6706 mm]

1 1/4 in.

[32 mm]



5 lbs.

[2.3 kg]

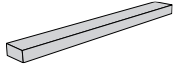
2 1/2 in.

[64 mm]



5 lbs.

[2.3 kg]

 = Pressure-treated  
Traité sous pression  
Tratado de presión  
加压注入

1x4 x 8 ft.

[19 mm x 89 mm x 2438 mm]

x1

1x4 x 10 ft.

[19 mm x 89 mm x 3048 mm]

x2

2x4 x 8 ft.

[38 mm x 89 mm x 2438 mm]

x47

2x4 x 10 ft.

[38 mm x 89 mm x 3048 mm]

x36

2x4 x 10 ft.

[38 mm x 89 mm x 3048 mm]

x10

2x4 x 12 ft.

[38 mm x 89 mm x 3658 mm]

x3

2x4 x 16 ft.

[38 mm x 89 mm x 4877 mm]

x8

2x4 x 16 ft.

[38 mm x 89 mm x 4877 mm]

x4



4 ft. x 8 ft.

[1219 mm x 2438 mm]

x12



4 ft. x 8 ft.

[1219 mm x 2438 mm]

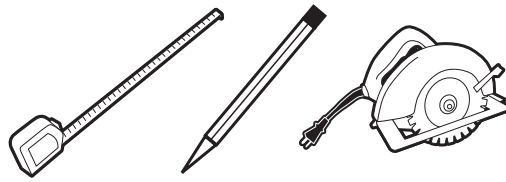
x17



4 ft. x 8 ft.

[1219 mm x 2438 mm]

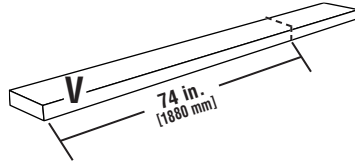
x7



1x4 x 8 ft.

[19 mm x 89 mm x 2438 mm]

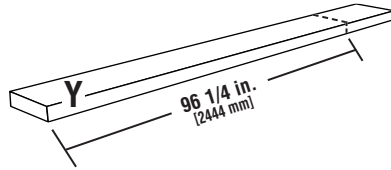
x1



1x4 x 10 ft.

[19 mm x 89 mm x 3048 mm]

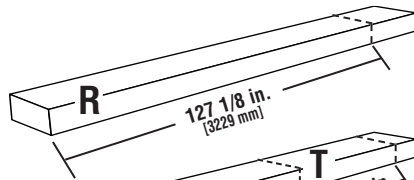
x2



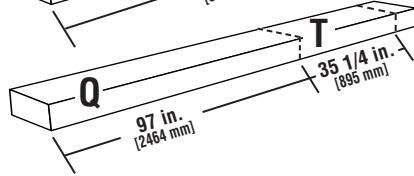
2x4 x 12 ft.

[38 mm x 89 mm x 3658 mm]

x1



x2



2x4 x 16 ft.

[38 mm x 89 mm x 4877 mm]

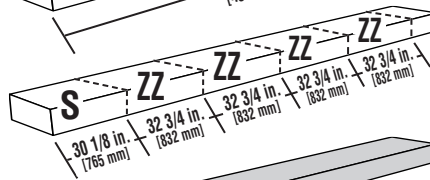
x2



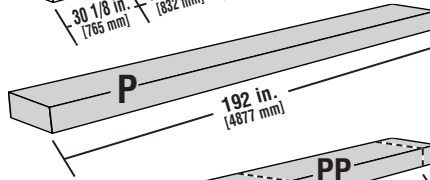
x5



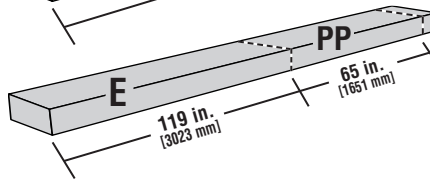
x1



x2



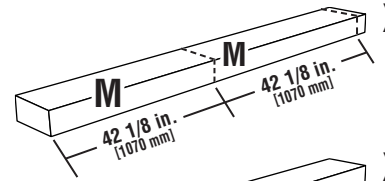
x2



2x4 x 8 ft.

[38 mm x 89 mm x 2438 mm]

x12



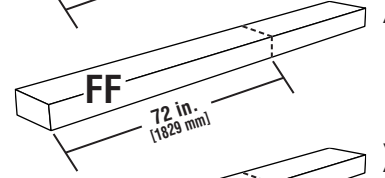
x4



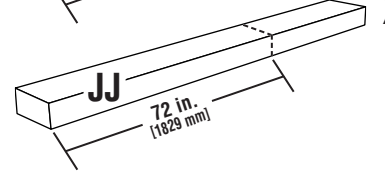
x24



x2



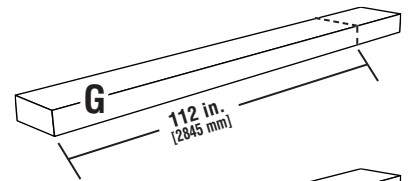
x5



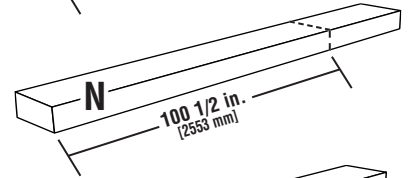
2x4 x 10 ft.

[38 mm x 89 mm x 3048 mm]

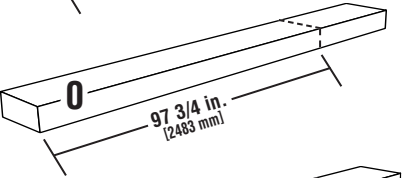
x2



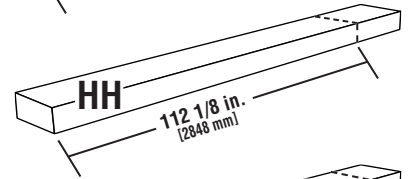
x4



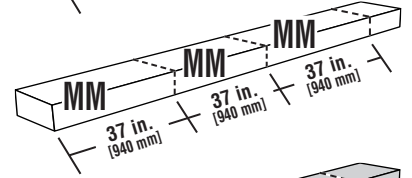
x12



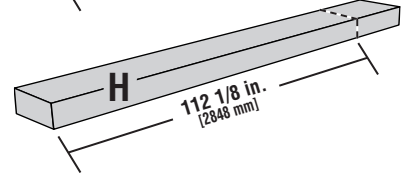
x10



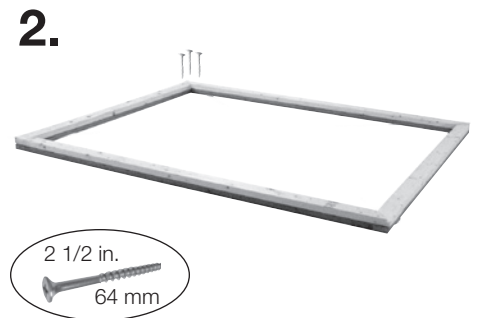
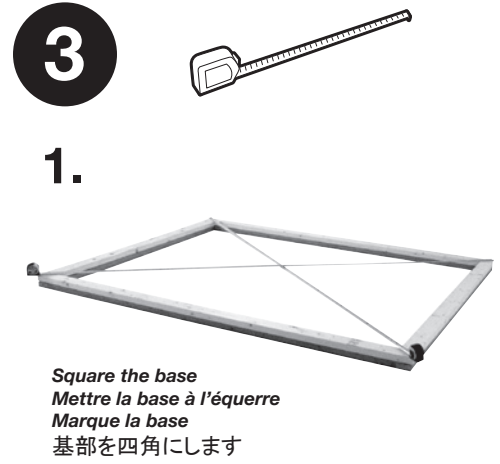
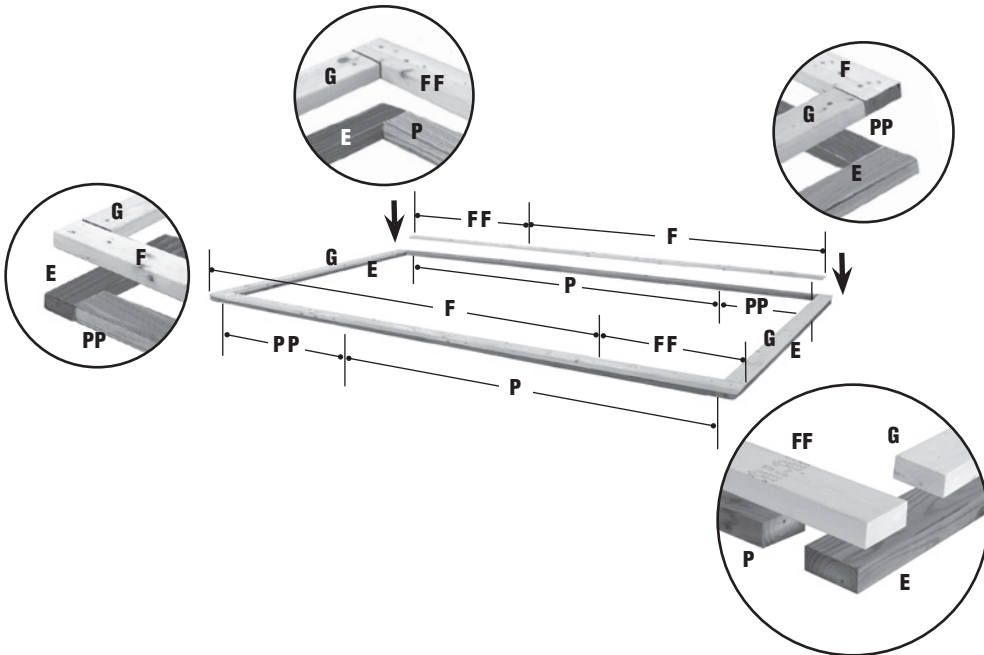
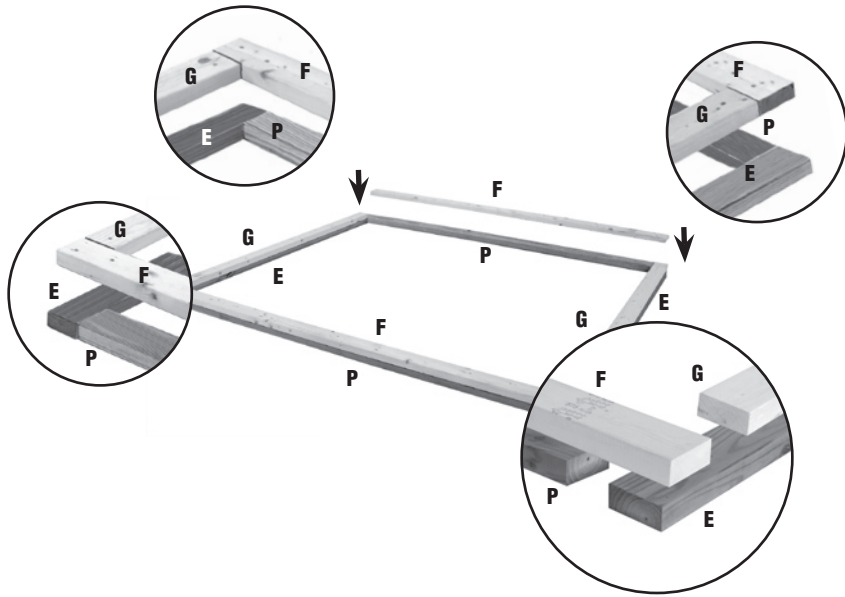
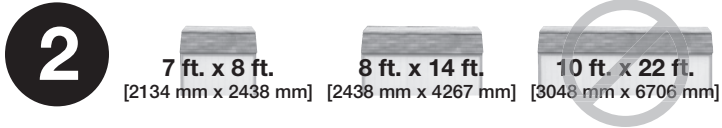
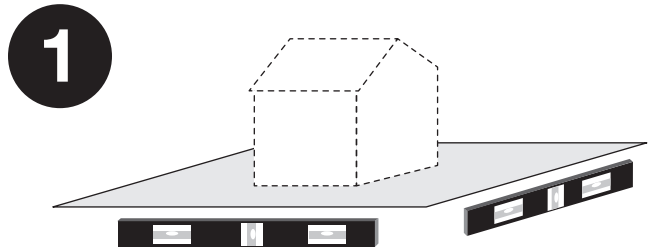
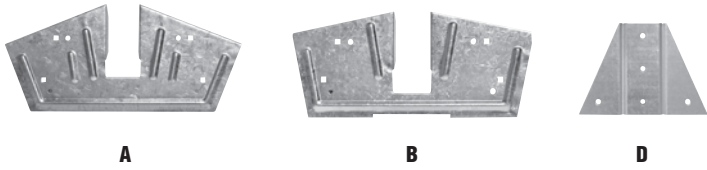
x8







x10





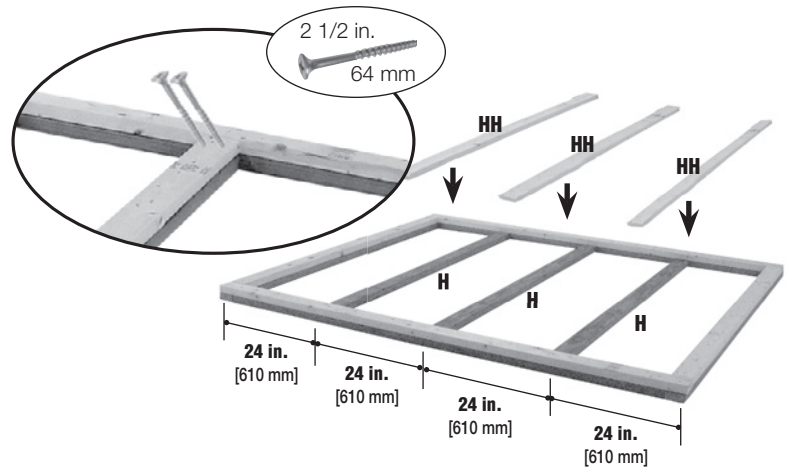


	
 7 ft. x 8 ft. [2134 mm x 2438 mm]	30
 8 ft. x 14 ft. [2438 mm x 4267 mm]	40
 10 ft. x 22 ft. [3048 mm x 6706 mm]	54

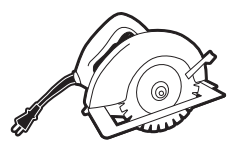
**4**

**7 ft. x 8 ft.** [2134 mm x 2438 mm]    **8 ft. x 14 ft.** [2438 mm x 4267 mm]    **10 ft. x 22 ft.** [3048 mm x 6706 mm]

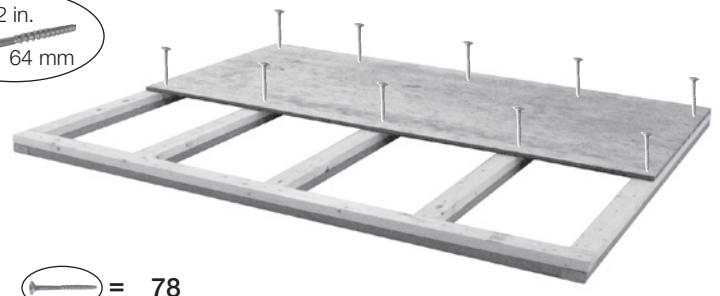
H =	3	6	10
HH =	3	6	10
 =	24	48	80




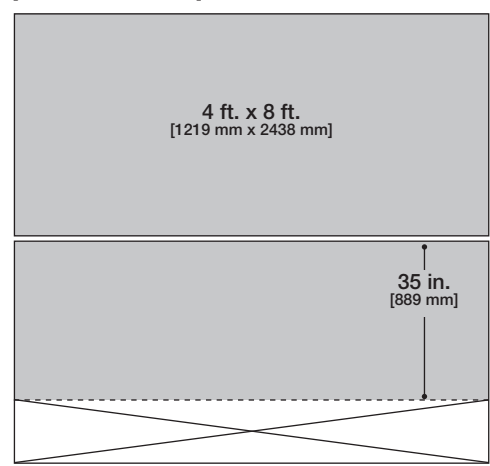
**5**




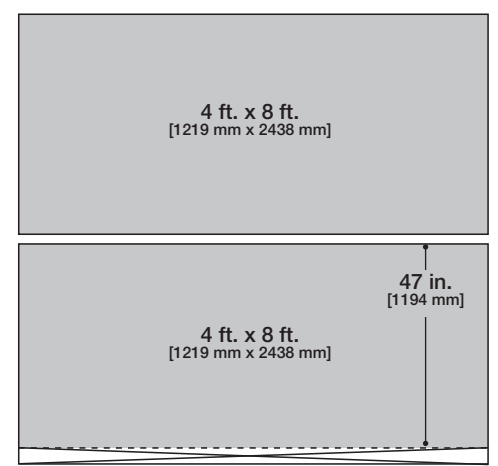
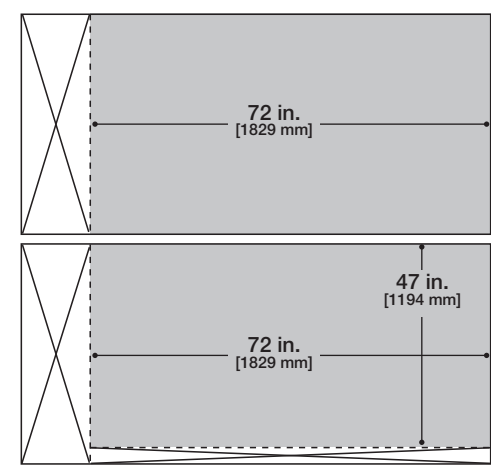
2 1/2 in.  
64 mm



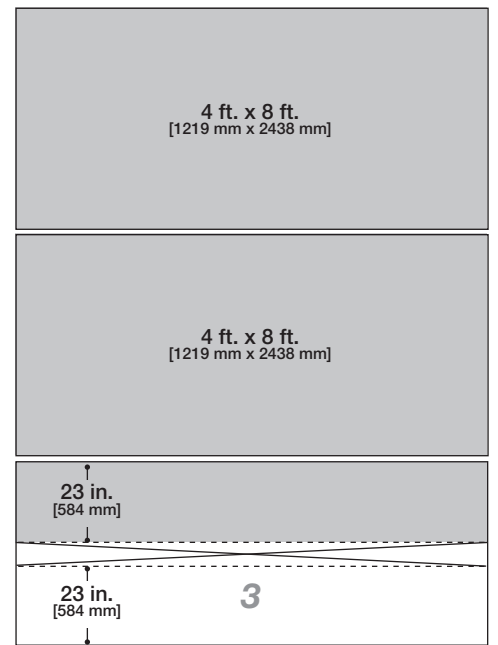
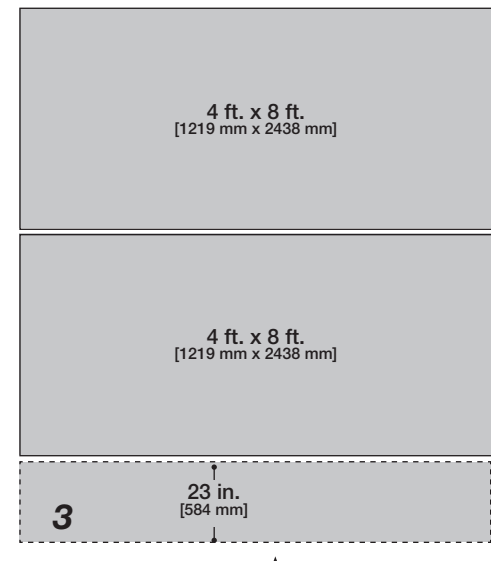
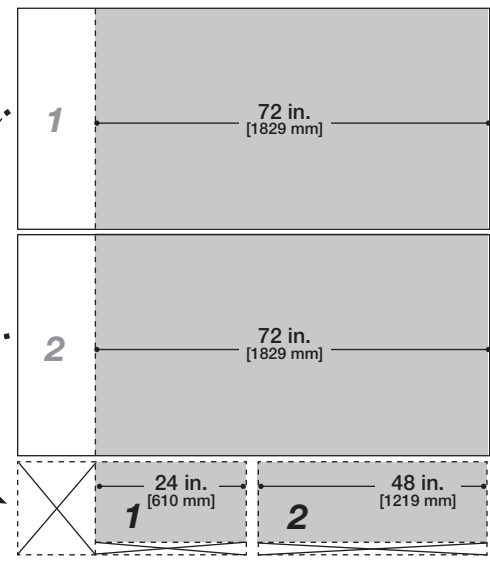
**7 ft. x 8 ft.** [2134 mm x 2438 mm]  = 39



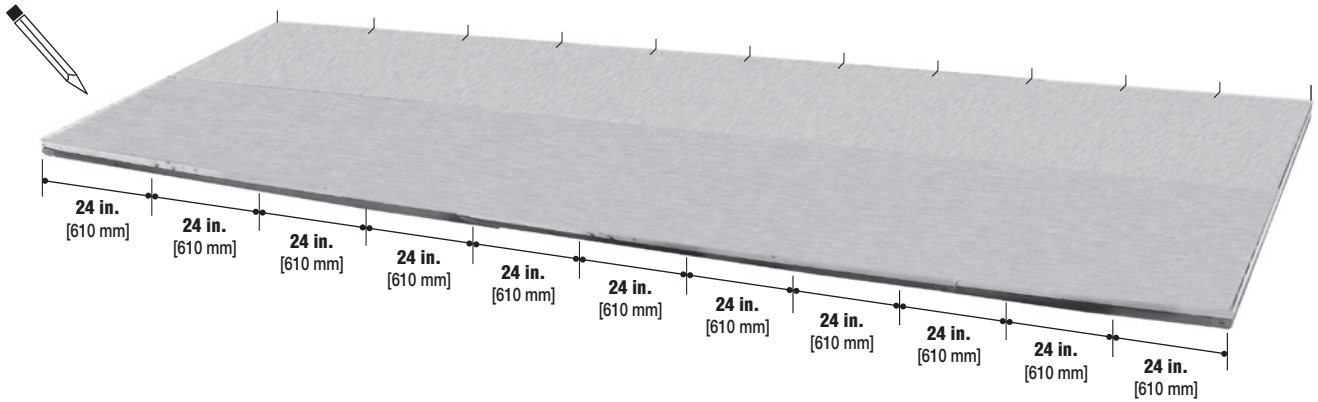
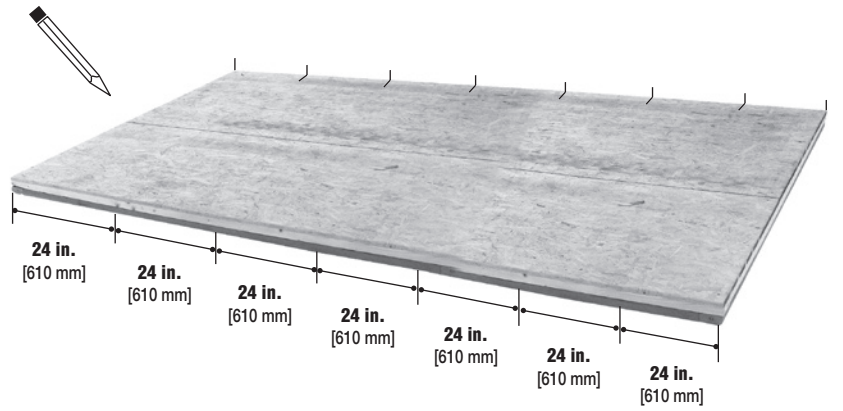
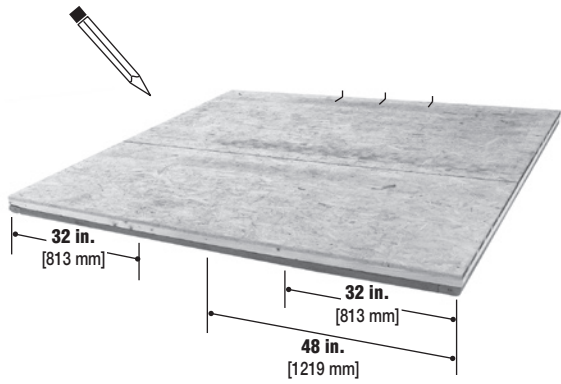
**8 ft. x 14 ft.** [2438 mm x 4267 mm]  = 78



**10 ft. x 22 ft.** [3048 mm x 6706 mm]  = 164



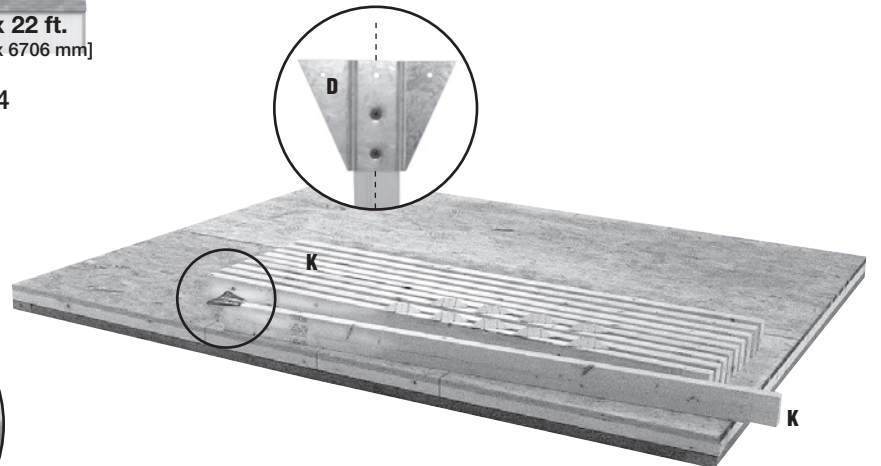
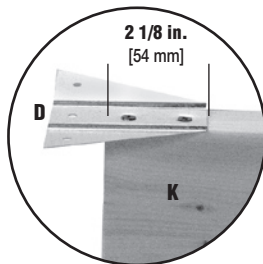
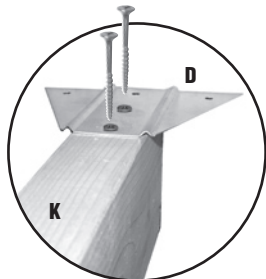
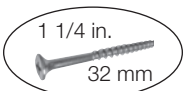
# 6



# 7



K = 10                      16                      24





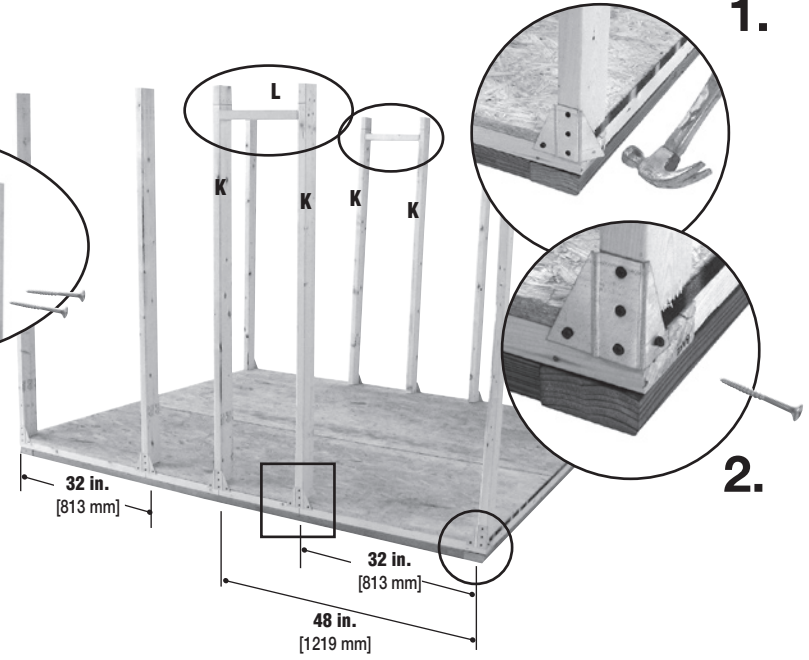
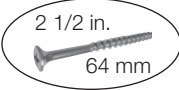
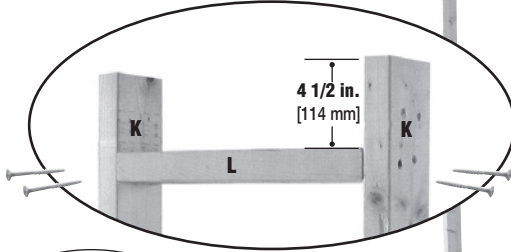
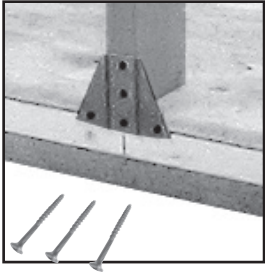
8

~~7 ft. x 8 ft.~~  
[2134 mm x 2438 mm]

~~8 ft. x 14 ft.~~  
[2438 mm x 4267 mm]

~~10 ft. x 22 ft.~~  
[3048 mm x 6706 mm]

K = 10



~~7 ft. x 8 ft.~~  
[2134 mm x 2438 mm]

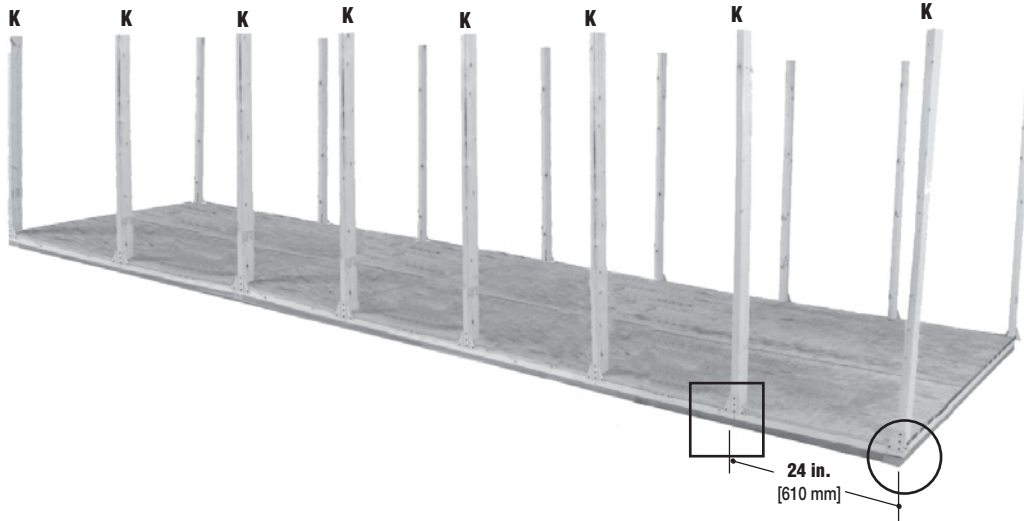
~~8 ft. x 14 ft.~~  
[2438 mm x 4267 mm]

~~10 ft. x 22 ft.~~  
[3048 mm x 6706 mm]

K =

16

24



9

~~7 ft. x 8 ft.~~  
[2134 mm x 2438 mm]

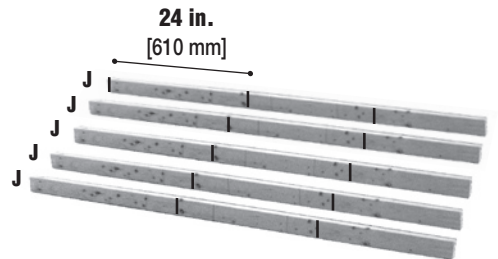
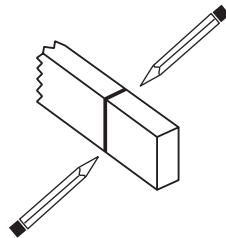
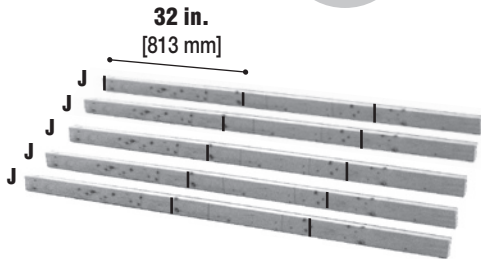
~~8 ft. x 14 ft.~~  
[2438 mm x 4267 mm]

~~10 ft. x 22 ft.~~  
[3048 mm x 6706 mm]

~~7 ft. x 8 ft.~~  
[2134 mm x 2438 mm]

~~8 ft. x 14 ft.~~  
[2438 mm x 4267 mm]

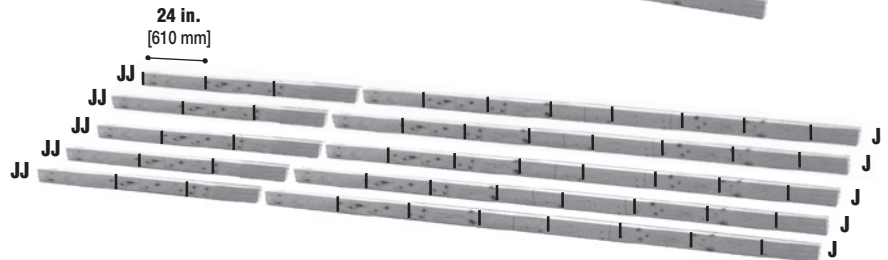
~~10 ft. x 22 ft.~~  
[3048 mm x 6706 mm]



~~7 ft. x 8 ft.~~  
[2134 mm x 2438 mm]

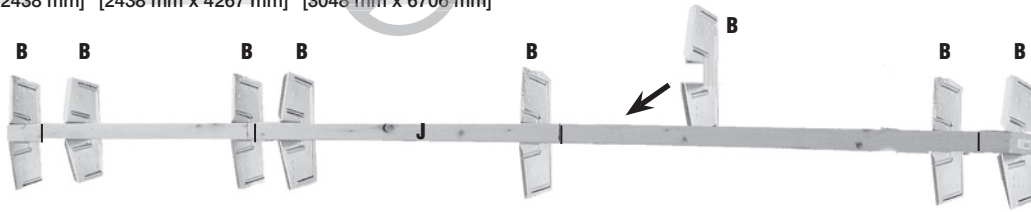
~~8 ft. x 14 ft.~~  
[2438 mm x 4267 mm]

~~10 ft. x 22 ft.~~  
[3048 mm x 6706 mm]

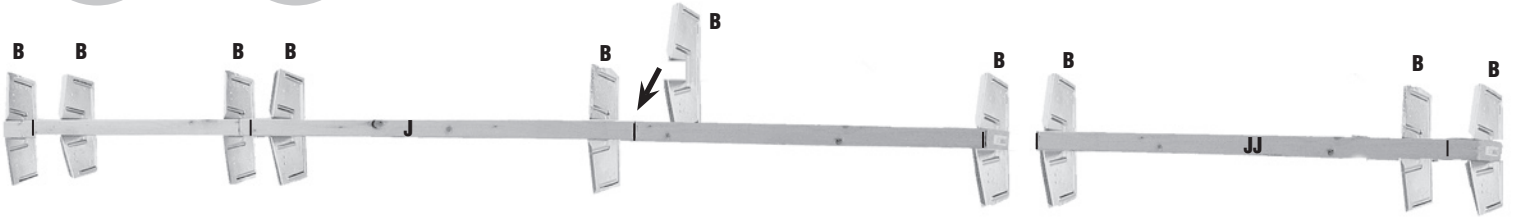


10

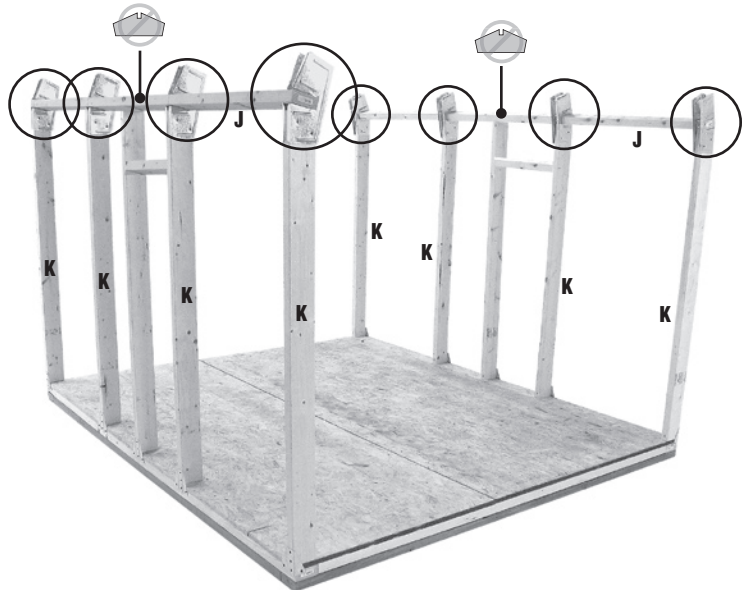
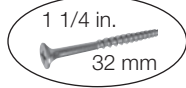
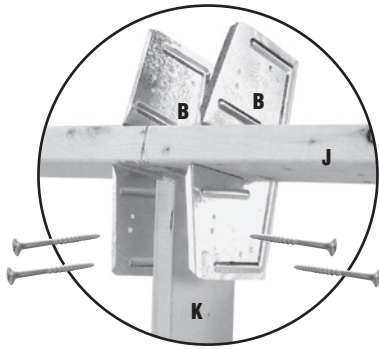
7 ft. x 8 ft. [2134 mm x 2438 mm] 8 ft. x 14 ft. [2438 mm x 4267 mm] 10 ft. x 22 ft. [3048 mm x 6706 mm]



7 ft. x 8 ft. [2134 mm x 2438 mm] 8 ft. x 14 ft. [2438 mm x 4267 mm] 10 ft. x 22 ft. [3048 mm x 6706 mm]



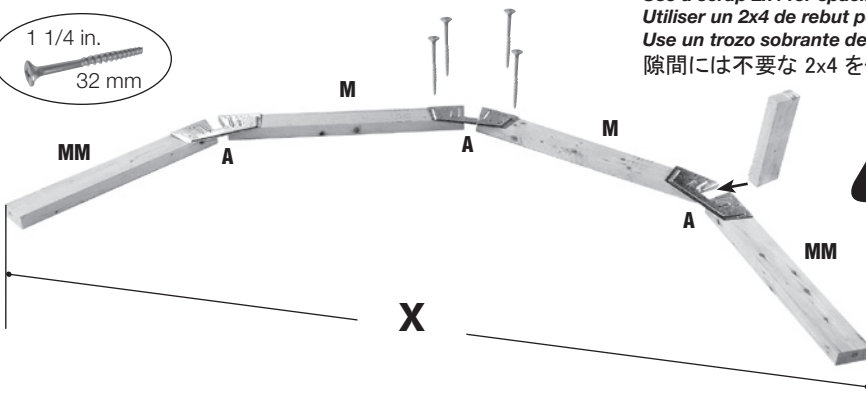
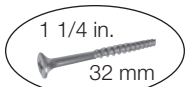
11



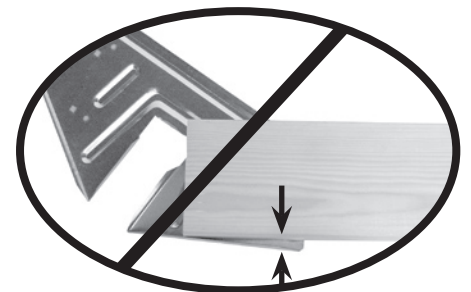
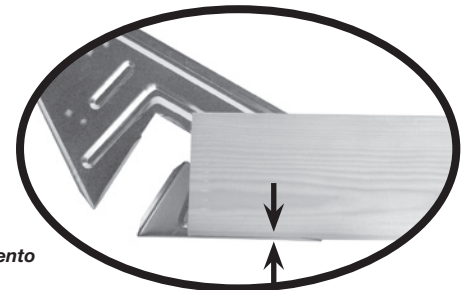
12

7 ft. x 8 ft. [2134 mm x 2438 mm] 8 ft. x 14 ft. [2438 mm x 4267 mm] 10 ft. x 22 ft. [3048 mm x 6706 mm]

X = 82 in. [2083 mm] 94 in. [2388 mm] 118 in. [2997 mm]

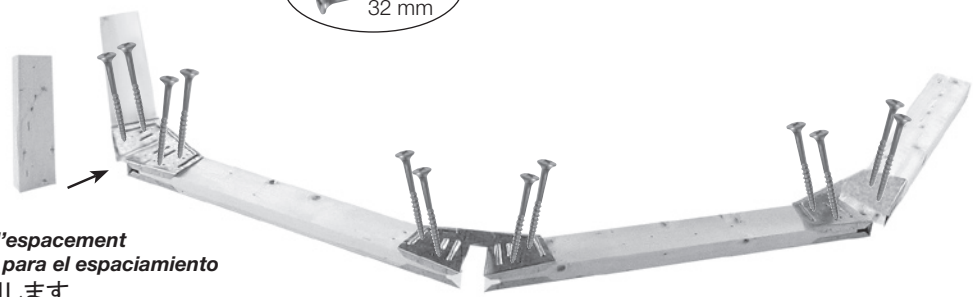
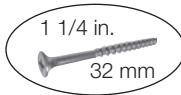


Use a scrap 2x4 for spacing  
Utiliser un 2x4 de rebut pour l'espacement  
Use un trozo sobrante de 2x4 para el espaciamento  
隙間には不要な 2x4 を使用します



# 13

Repeat step 12 on opposite side  
 Répéter l'étape 12 sur le côté opposé  
 Repita el paso 12 en el lado opuesto  
 反対側もステップ 12 を繰り返します

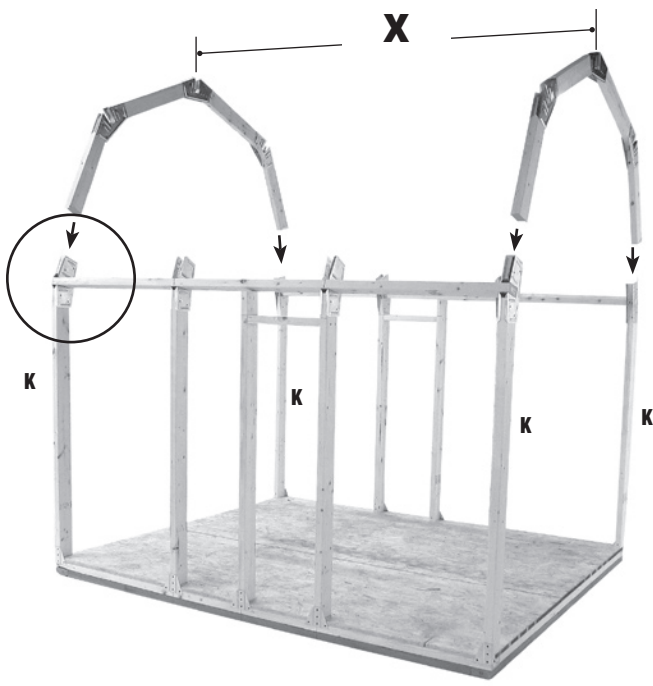
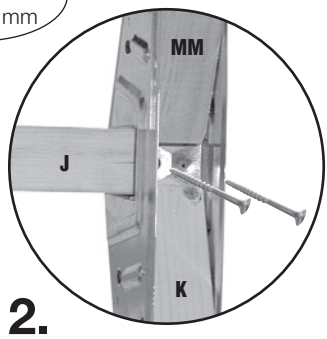
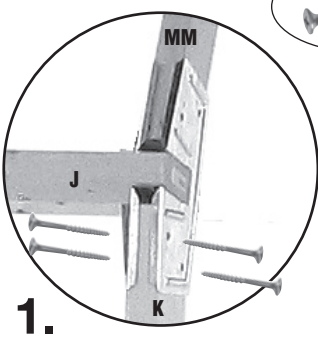
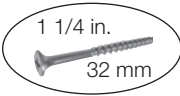


Use a scrap 2x4 for spacing  
 Utiliser un 2x4 de rebut pour l'espacement  
 Use un trozo sobrante de 2x4 para el espaciamento  
 隙間には不要な 2x4 を使用します

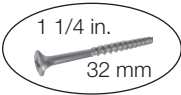
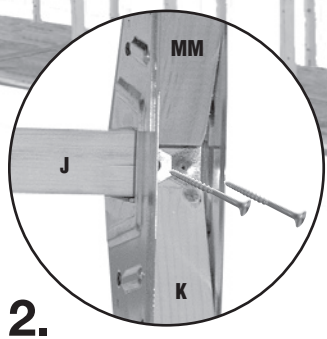
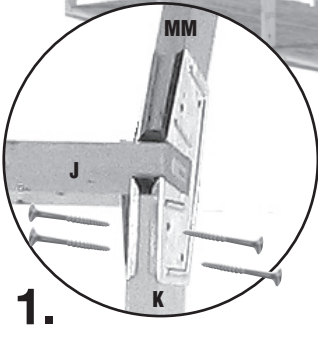
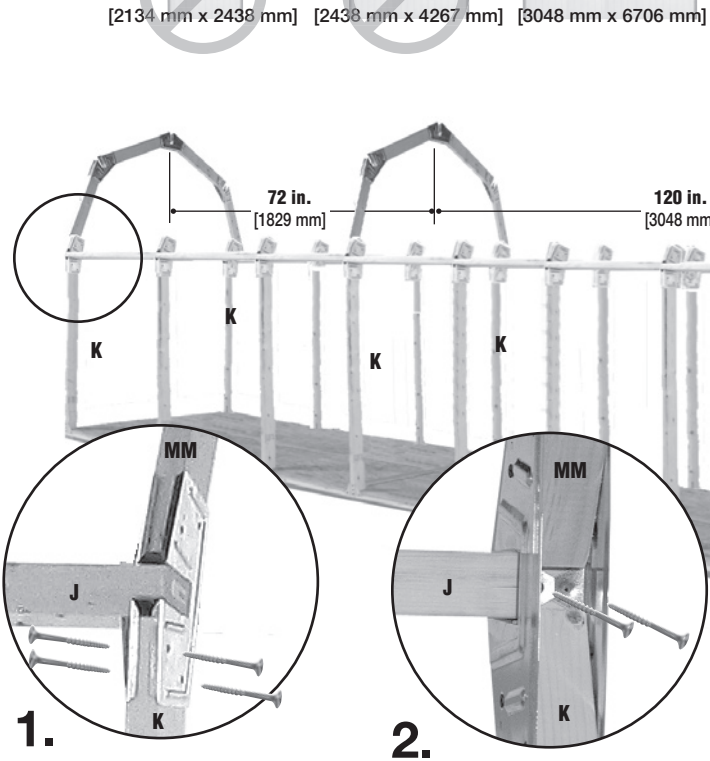
# 14

7 ft. x 8 ft. [2134 mm x 2438 mm]    8 ft. x 14 ft. [2438 mm x 4267 mm]    10 ft. x 22 ft. [3048 mm x 6706 mm]

X = 96 in. [2438 mm]    168 in. [4267 mm]

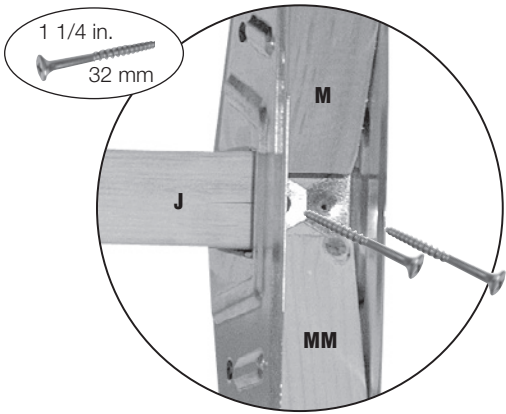


7 ft. x 8 ft. [2134 mm x 2438 mm]    8 ft. x 14 ft. [2438 mm x 4267 mm]    10 ft. x 22 ft. [3048 mm x 6706 mm]

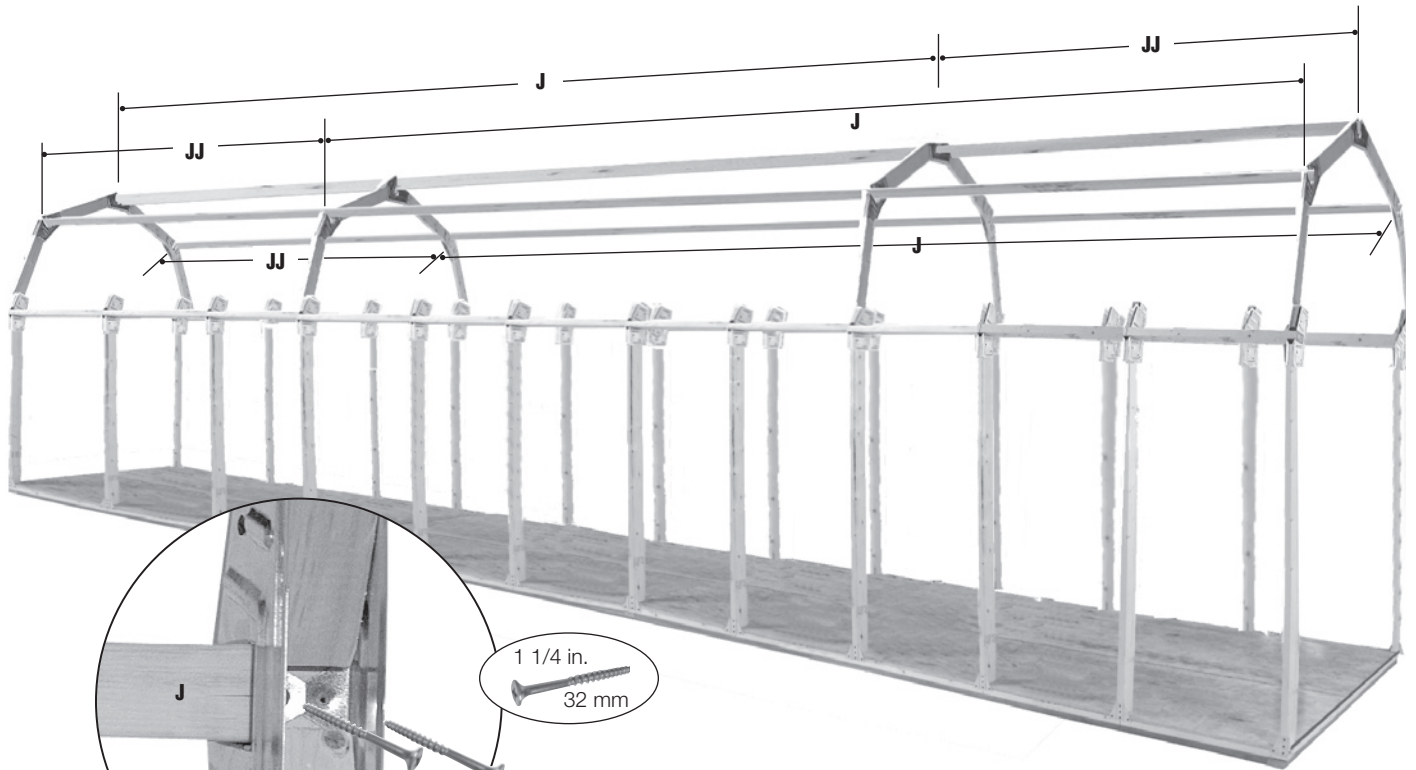




~~7 ft. x 8 ft.~~ [2134 mm x 2438 mm] ~~8 ft. x 14 ft.~~ [2438 mm x 4267 mm] ~~10 ft. x 22 ft.~~ [3048 mm x 6706 mm]

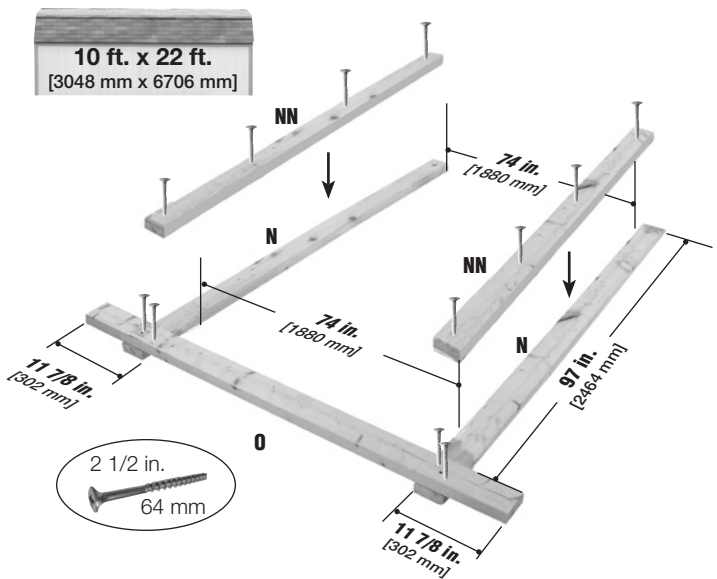
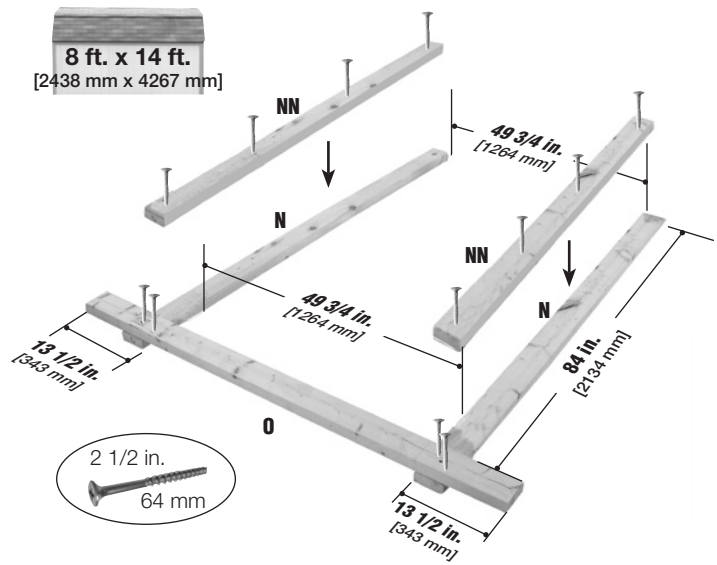
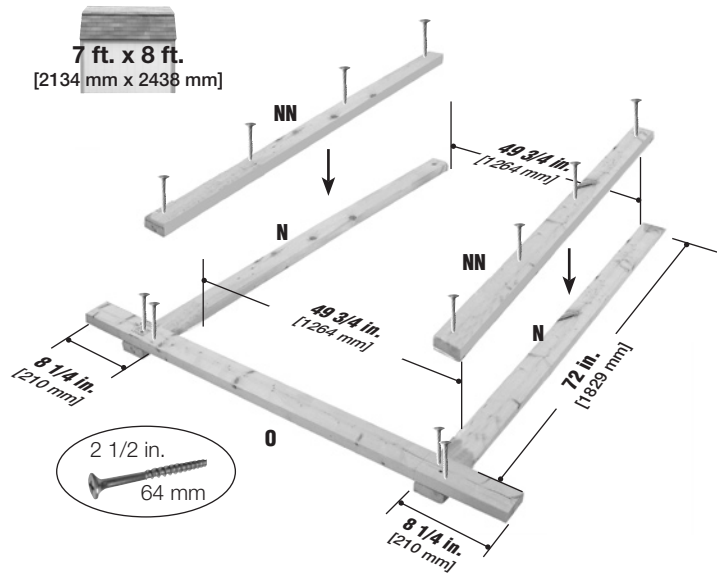


~~7 ft. x 8 ft.~~ [2134 mm x 2438 mm] ~~8 ft. x 14 ft.~~ [2438 mm x 4267 mm] ~~10 ft. x 22 ft.~~ [3048 mm x 6706 mm]



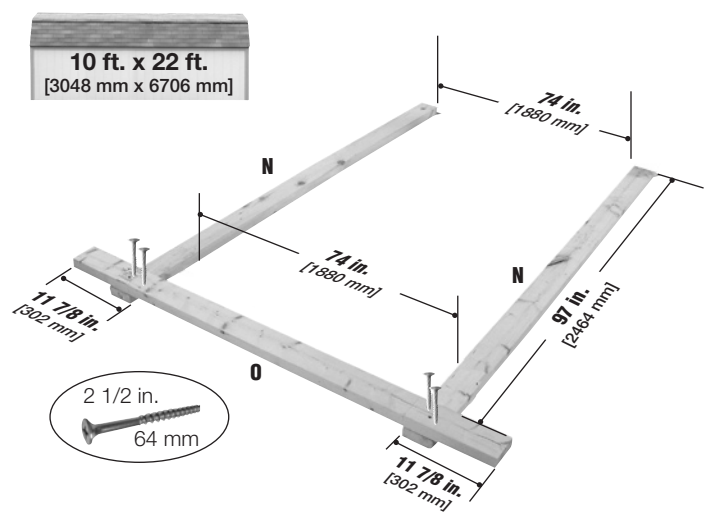
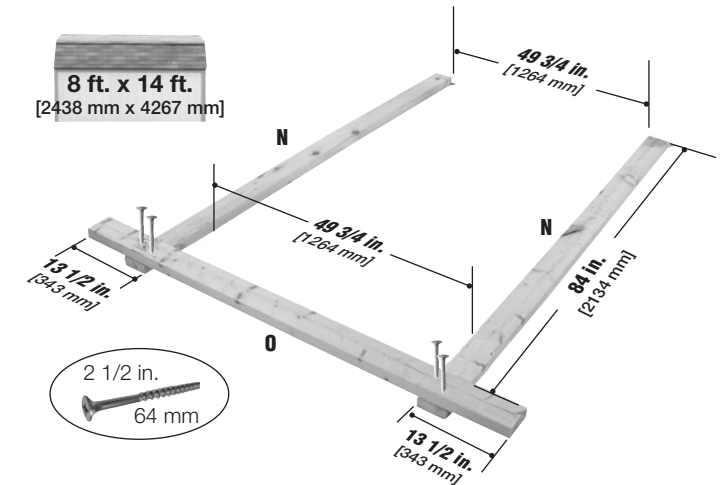
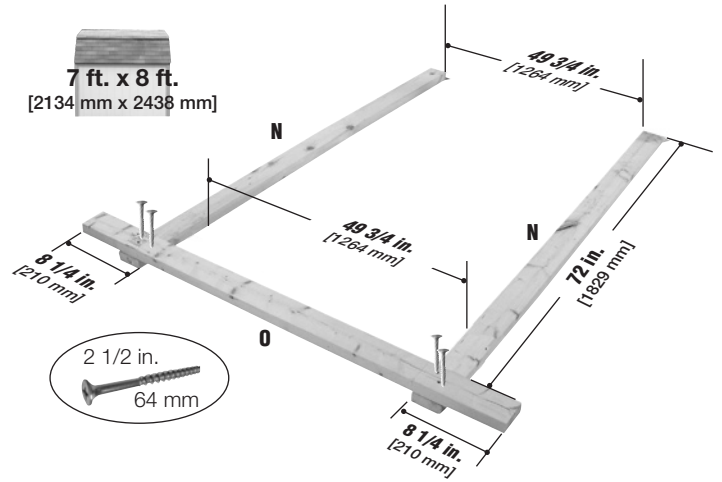
# 16

## DOOR JAMB MONTANT DE PORTE MARCO INTERIOR DE LA PUERTA ドア枠

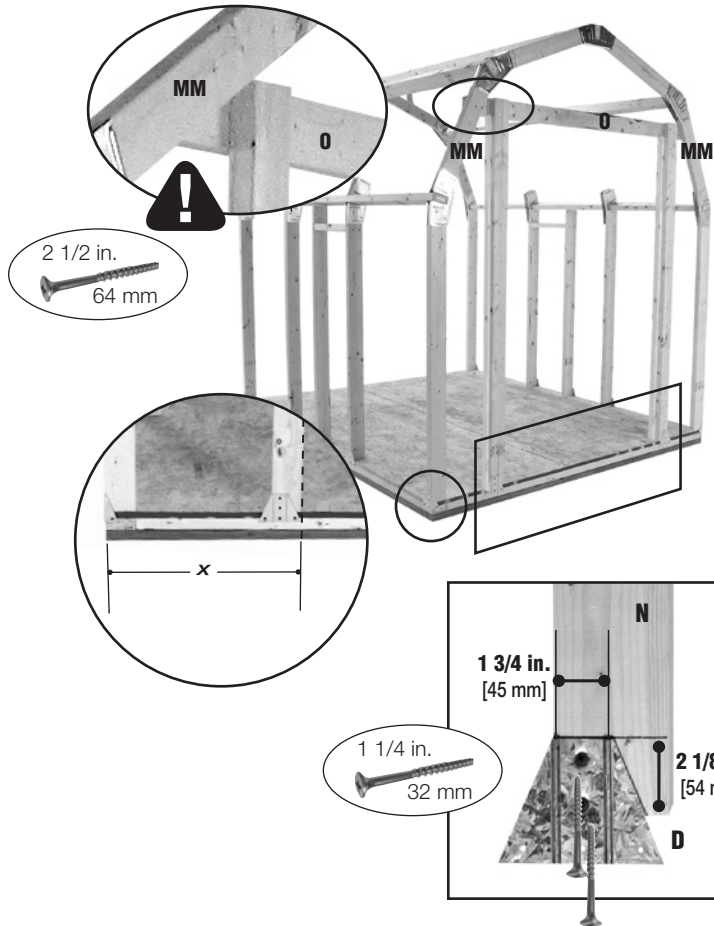
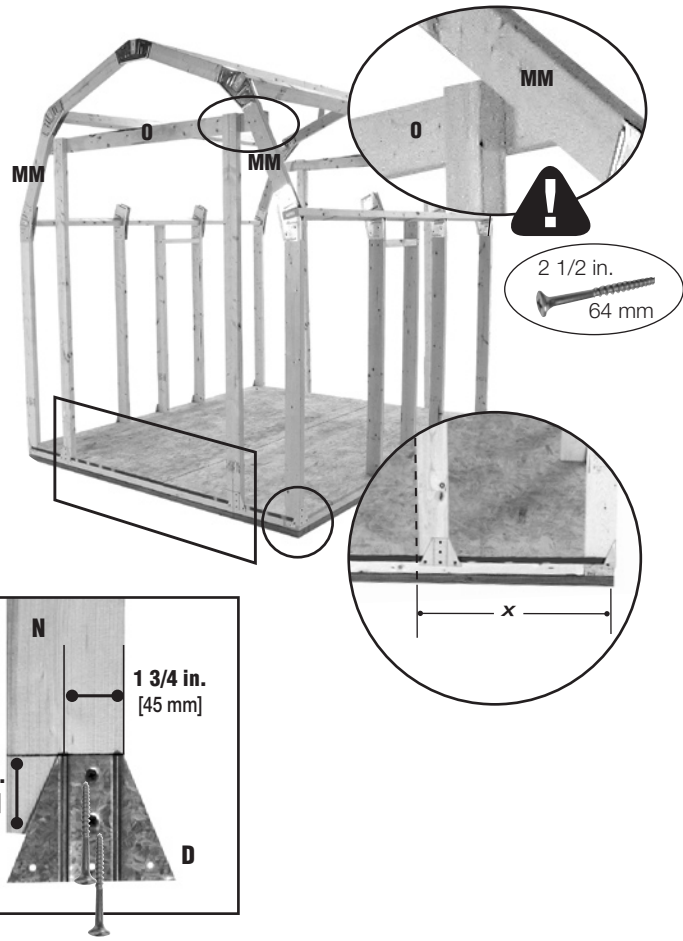
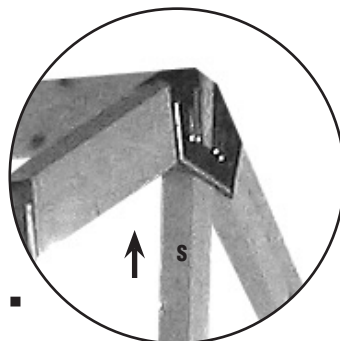
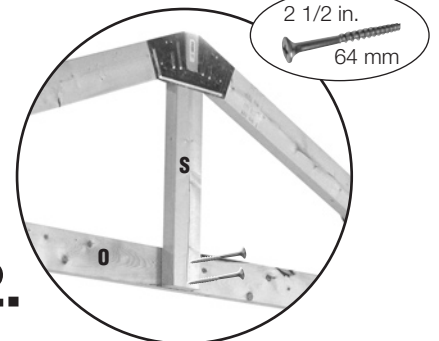
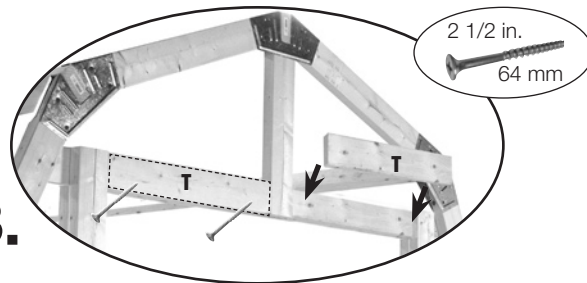


# 17

## BACK WALL MUR ARRIERE PARED POSTERIOR 後壁

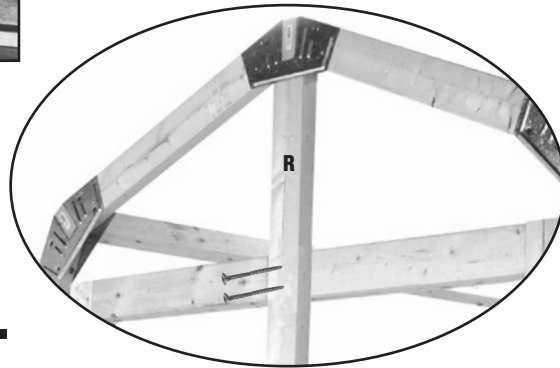
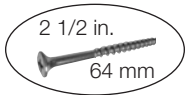
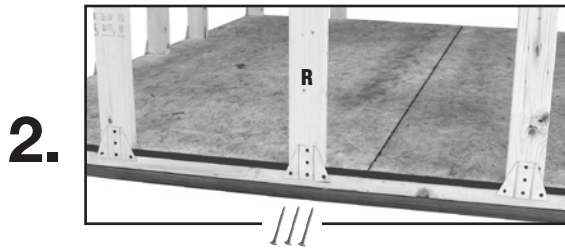
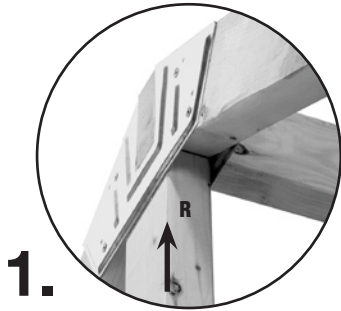




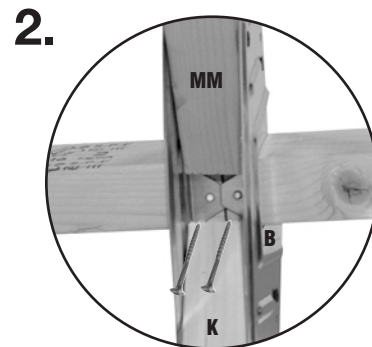
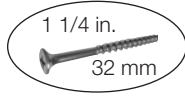
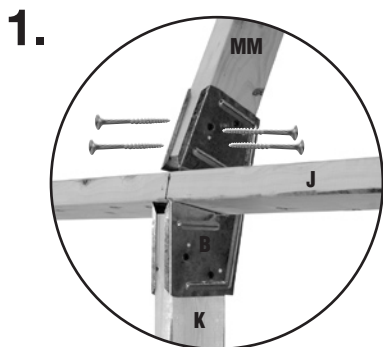
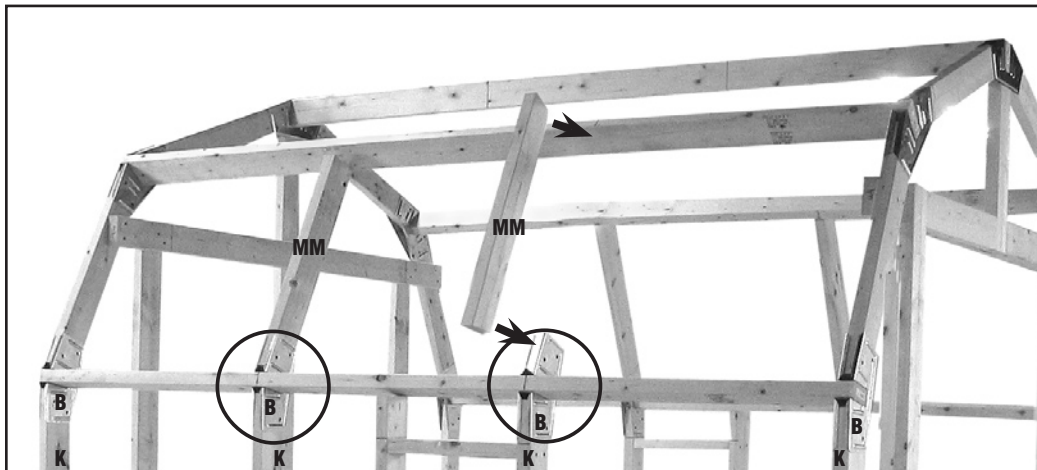
**18**7 ft. x 8 ft.  
[2134 mm x 2438 mm]8 ft. x 14 ft.  
[2438 mm x 4267 mm]10 ft. x 22 ft.  
[3048 mm x 6706 mm]X = 16 5/8 in.  
[422 mm]22 5/8 in.  
[575 mm]22 1/2 in.  
[572 mm]**DOOR JAMB**  
**MONTANT DE PORTE**  
**MARCO INTERIOR DE LA PUERTA**  
ドア枠**19**7 ft. x 8 ft.  
[2134 mm x 2438 mm]8 ft. x 14 ft.  
[2438 mm x 4267 mm]10 ft. x 22 ft.  
[3048 mm x 6706 mm]X = 16 5/8 in.  
[422 mm]22 5/8 in.  
[575 mm]22 1/2 in.  
[572 mm]**BACK WALL**  
**MUR ARRIERE**  
**PARED POSTERIOR**  
後壁**20****DOOR JAMB**  
**MONTANT DE PORTE**  
**MARCO INTERIOR DE LA PUERTA**  
ドア枠**1.****2.****3.**

21

BACK WALL  
MUR ARRIÈRE  
PARED POSTERIOR  
後壁




22

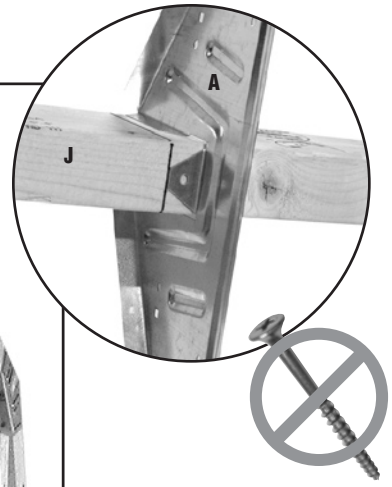
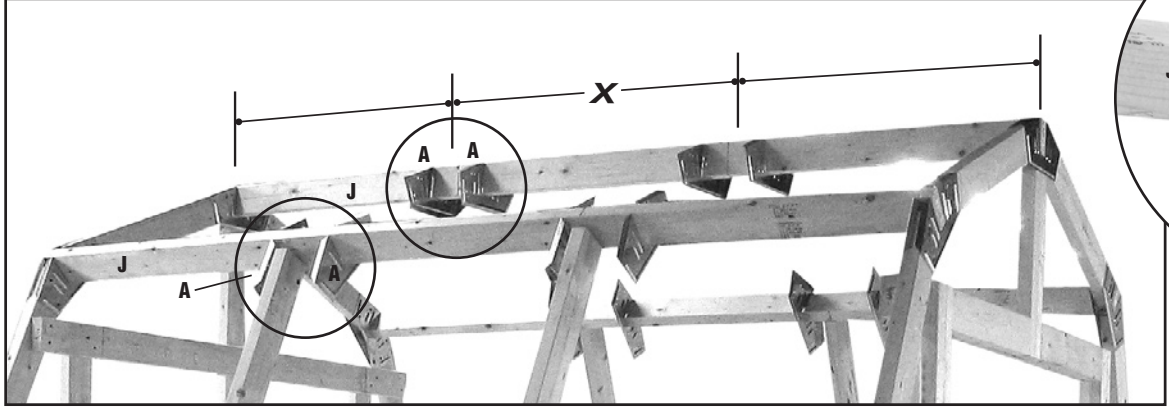


# 23

7 ft. x 8 ft. [2134 mm x 2438 mm]    8 ft. x 14 ft. [2438 mm x 4267 mm]    10 ft. x 22 ft. [3048 mm x 6706 mm]


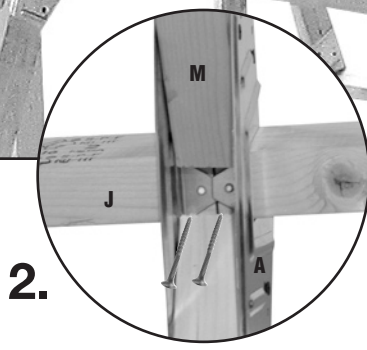
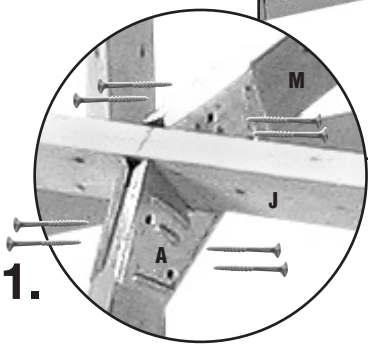
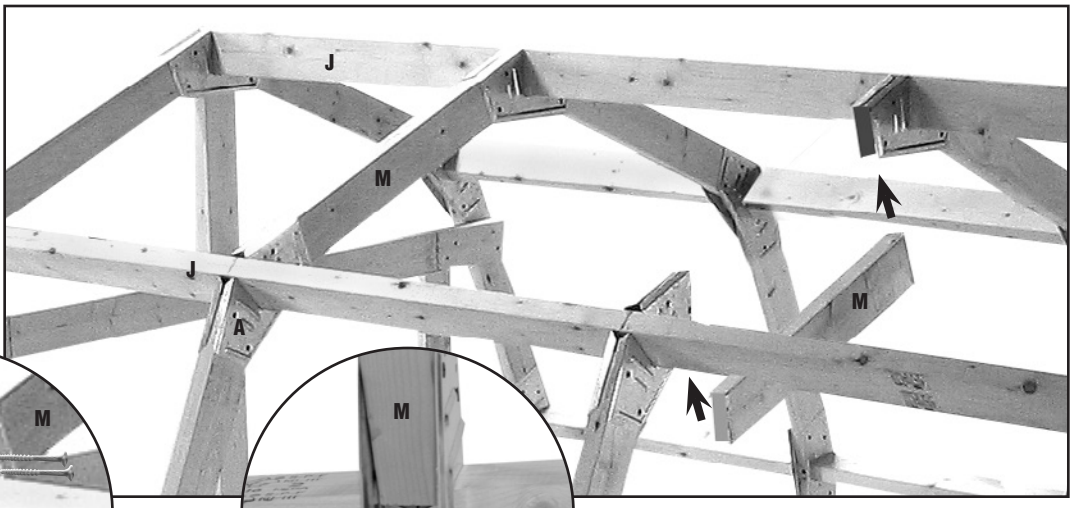
	=	12	36	48
X =		32 in. [813 mm]	24 in. [610 mm]	24 in. [610 mm]

*Position bracket edge at pre-marked line*  
*Positionner le rebord du support à la ligne pré-marquée*  
*Coloque el borde de la abrazadera en la línea pre-marcada*  
 あらかじめついている線に取付金具の端をそろえます




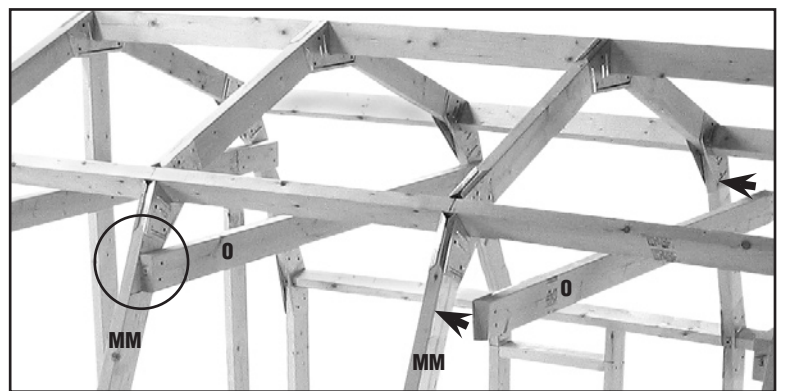
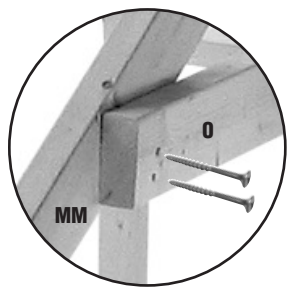
# 24

1 1/4 in. 32 mm

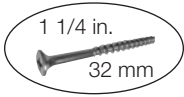



# 25

2 1/2 in. 64 mm

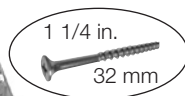
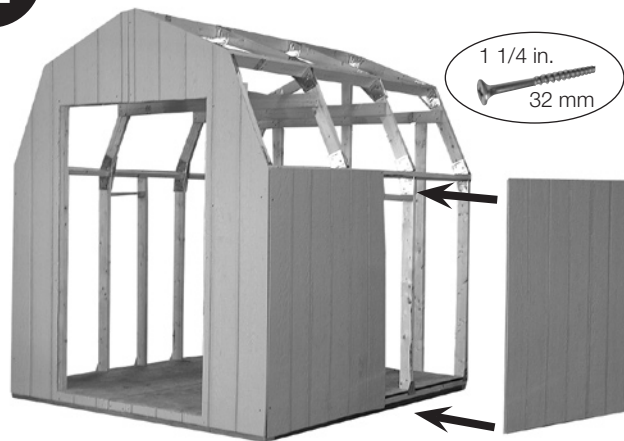



26

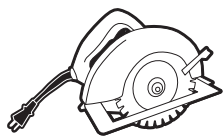


Flush with DOOR JAMB (N)  
 A effleurement avec LE MONTANT DE PORTE (N)  
 Instale al ras con EL MARCO INTERIOR DE LA PUERTA (N)  
 ドア枠にピッタリと揃うようにします (N)

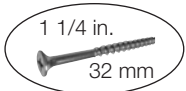
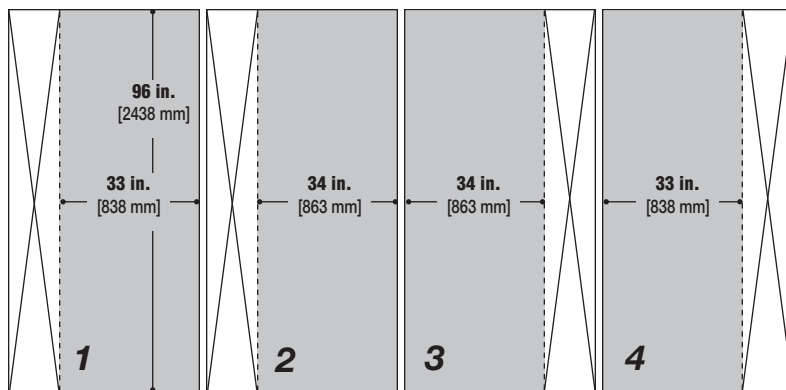
27



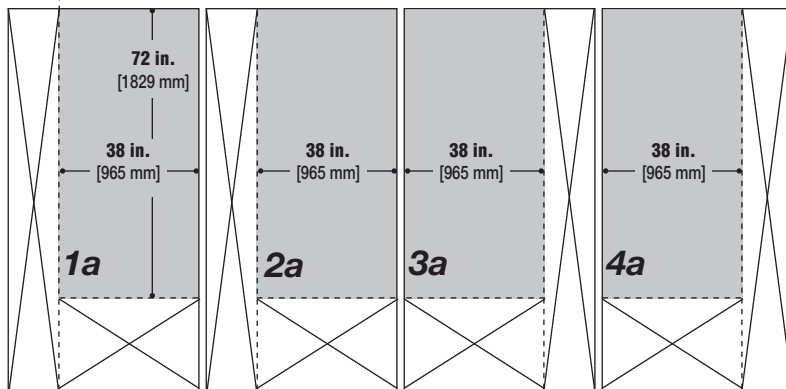
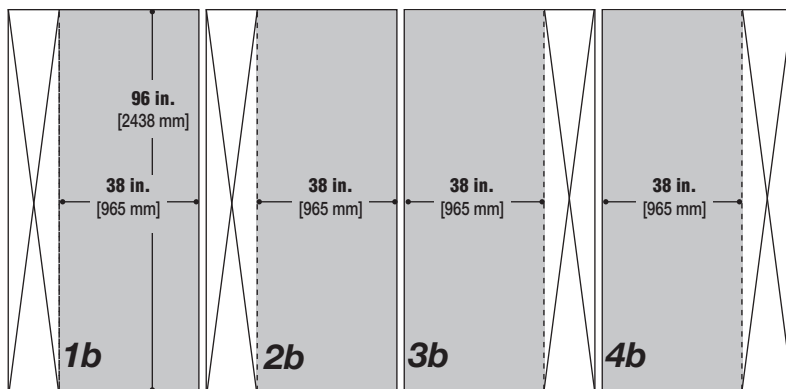
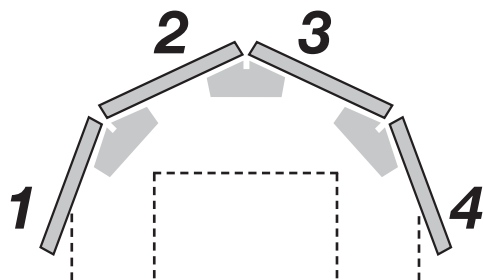
28



7 ft. x 8 ft.  
 [2134 mm x 2438 mm]

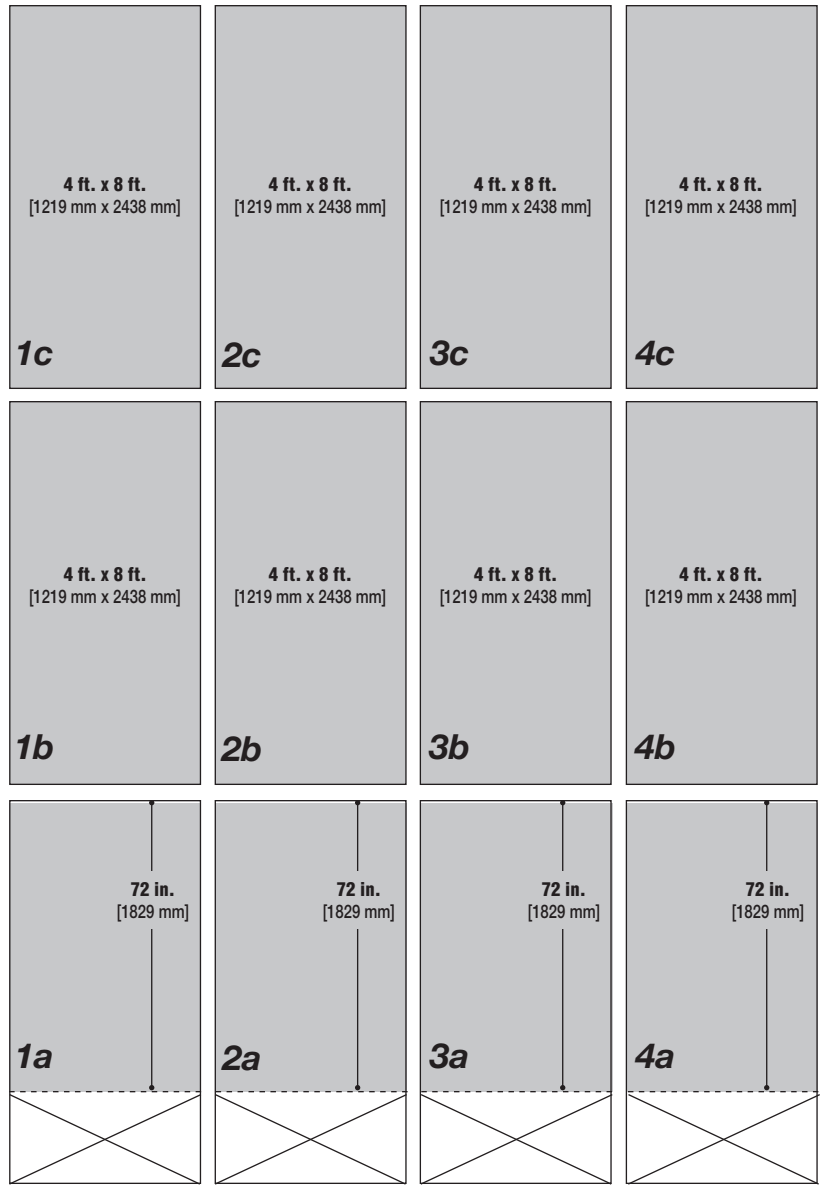
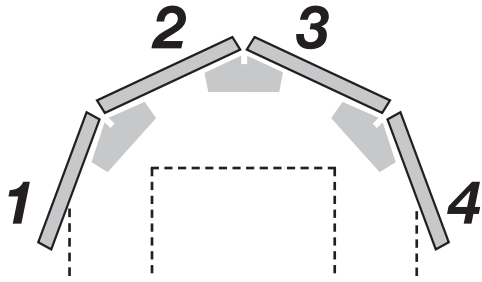


8 ft. x 14 ft.  
 [2438 mm x 4267 mm]



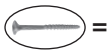


**10 ft. x 22 ft.**  
[3048 mm x 6706 mm]



**29**

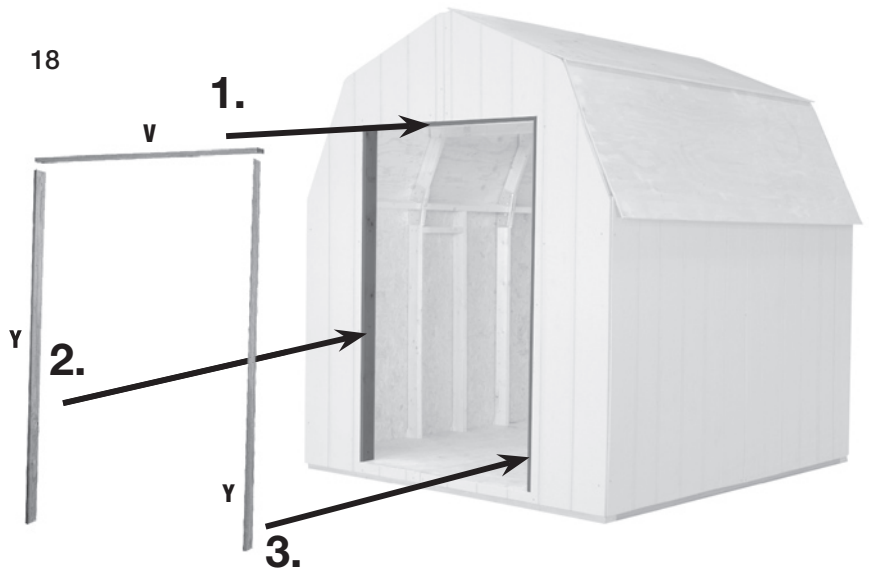
**7 ft. x 8 ft.** [2134 mm x 2438 mm]    **8 ft. x 14 ft.** [2438 mm x 4267 mm]    **10 ft. x 22 ft.** [3048 mm x 6706 mm]



14

14

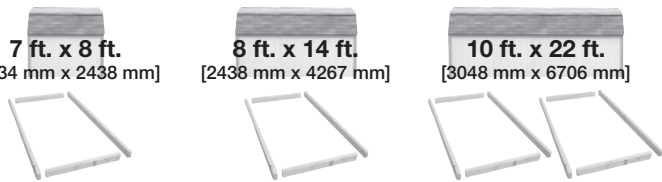
18



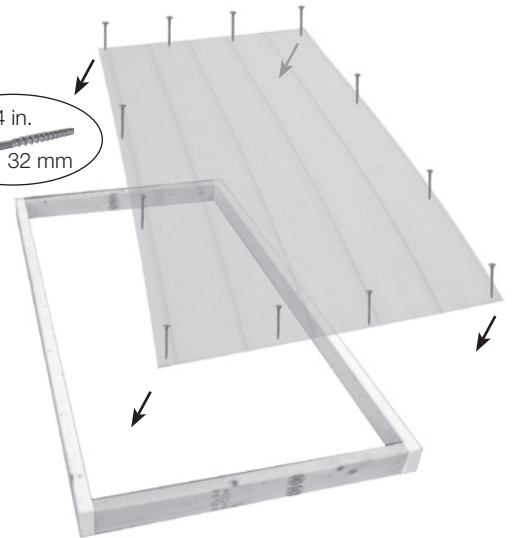
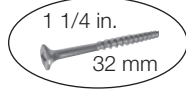
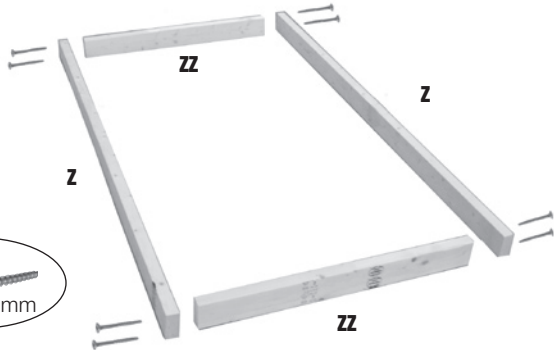
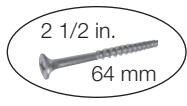


**30**

7 ft. x 8 ft. [2134 mm x 2438 mm]      8 ft. x 14 ft. [2438 mm x 4267 mm]      10 ft. x 22 ft. [3048 mm x 6706 mm]



DOOR  
PORTE  
PUERTA  
ドア

**31**

Add optional trim, if desired, before hanging door.  
Ajouter la garniture optionnelle, si désiré, avant d'accrocher la porte.  
Agregue el borde opcional, si lo desea, antes de colgar la puerta.  
ドアを取り付ける前に、お好みでオプションのトリム (装飾) を取り付けます

No Trim  
Pas de garniture  
Sin borde  
トリム (装飾) なし



T-hinge recommended  
Charnières en T recommandées  
Se recomienda bisagra en T  
T型ちょうつがいをお勧めします



Optional Trim  
Garniture optionnelle  
Borde opcional  
オプションのトリム



T-hinge recommended  
Charnières en T recommandées  
Se recomienda bisagra en T  
T型ちょうつがいをお勧めします



32

Add roof and trim materials and door hardware if desired.  
Ajouter les matériaux de toit et de garniture et la quincaillerie de porte si désiré.  
Agregue los materiales para el techo y el borde y la herrajería para puertas si lo desea.  
屋根材、トリム (装飾)、およびドア金具をお好みで取り付けます。



www. **2x4 basics** <sup>®</sup> .com

