

## TROUBLESHOOTING:

	Possible Cause	Corrective Action
Bulb will not light	1. Bulb is burned out	1. Replace light bulb
	2. Switch is off	2. Make sure switch is on
	3. Faulty wire connection	3. Check wiring
Fuse blows or circuit breaker trips when light is turned on	Crossed wires or power wire is grounding out	Check wire connections

## PRODUCT MAINTENANCE:

1. To clean the outside of the lamp, use a dry or slightly dampened clean cloth (use clean water, never a solvent) to wipe the shade and surface of the lamp.
2. To clean the inside of the fixture, first disconnect power to the fixture by turning off the circuit breaker or by removing the fuse at the fuse box. Next, use a dry or slightly dampened clean cloth (use clean water, never a solvent) to wipe the inside shade and interior surface of the fixture.
3. Do not use any cleaners with chemicals, solvents or harsh abrasives. Use only a dry soft cloth to dust or wipe carefully.

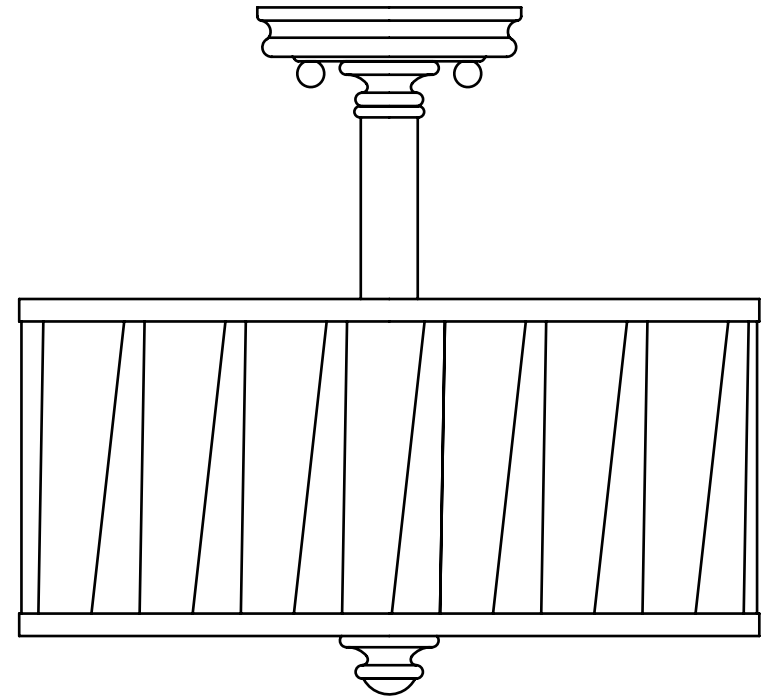
### LIMITED WARRANTY

The manufacturer warrants this lighting fixture to be free from defects in materials and workmanship for a period of five (5) years from date of purchase. This warranty applies only to the original consumer purchaser and only to products used in normal use and service. If this product is found to be defective, the manufacturer's only obligation, and your exclusive remedy, is the repair or replacement of the product at the manufacturer's discretion, provided that the product has not been damaged through misuse, abuse, accident, modifications, alterations, neglect or mishandling. This warranty shall not apply to any product that is found to have been improperly installed, set-up, or used in any way not in accordance with the instructions supplied with the product. This warranty shall not apply to a failure of the product as a result of an accident, misuse, abuse, negligence, alteration, or faulty installation, or any other failure not relating to faulty material or workmanship. This warranty shall not apply to the finish on any portion of the product, such as surface and/or weathering, as this is considered normal wear and tear. **The manufacturer does not warrant and specially disclaims any warranty, whether express or implied, of fitness for a particular purpose, other than the warranty contained herein. The manufacturer specifically disclaims any liability and shall not be liable for any consequential or incidental loss or damage, including but not limited to any labor expense costs involved in the replacement or repair of said product.**



## INSTRUCTION MANUAL INTERIOR 3-LIGHT SEMI-FLUSHMOUNT NADIA

HOME DEPOT SKU 600-006 | S/O: 432-236 (UPC 773546217361)  
CHROME FINISH



Thank you for purchasing this Hampton Bay interior decorative lighting. This product has been manufactured with the highest standards of safety and quality.

**FEATURES:**

A deco chrome finish, with softly pleated fabric shades provides for a comfortable but formal look to this fixture. Crisp warm lighting accentuates the ambience surrounding the area of this light, appropriate for any décor.

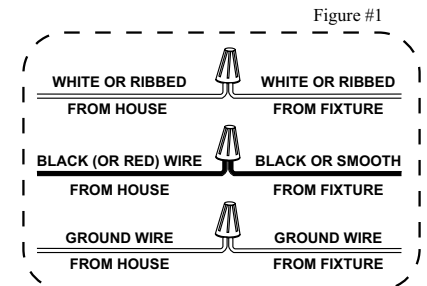
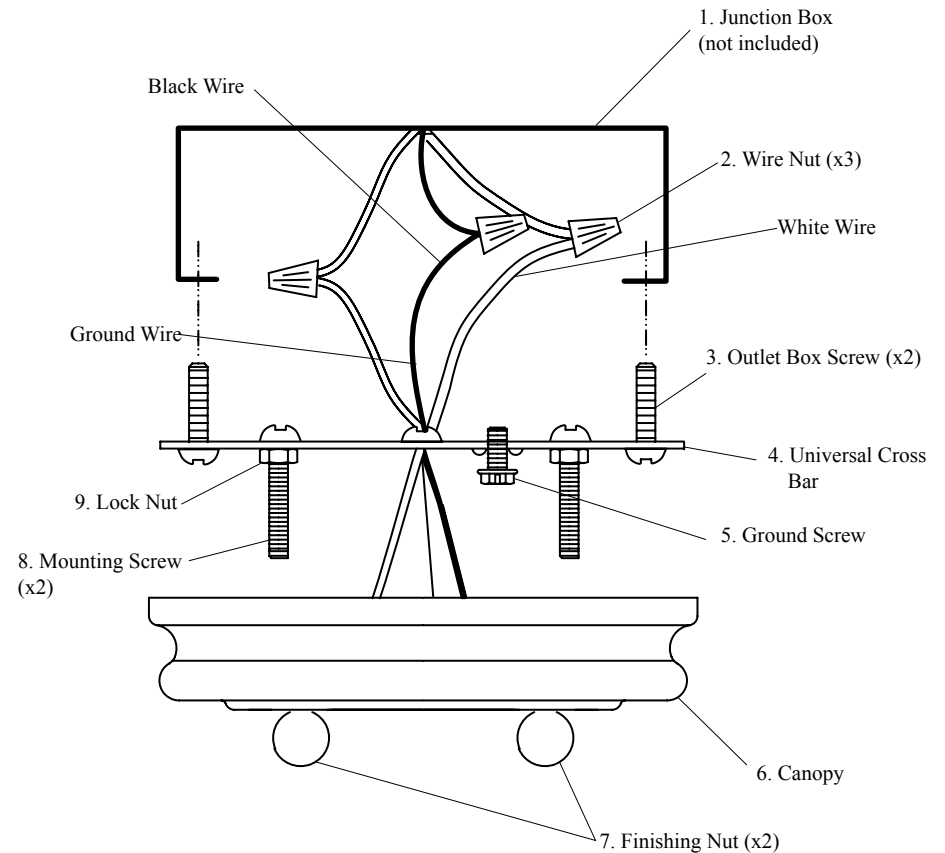
**QUESTIONS, PROBLEMS, MISSING PARTS:**

Before returning to your local Home Depot, please call our Customer Service Team at 1-877-527-0313 or visit [www.homedepot.com](http://www.homedepot.com). Please reference your **SKU 600-006 or (UPC 773546217361)**.

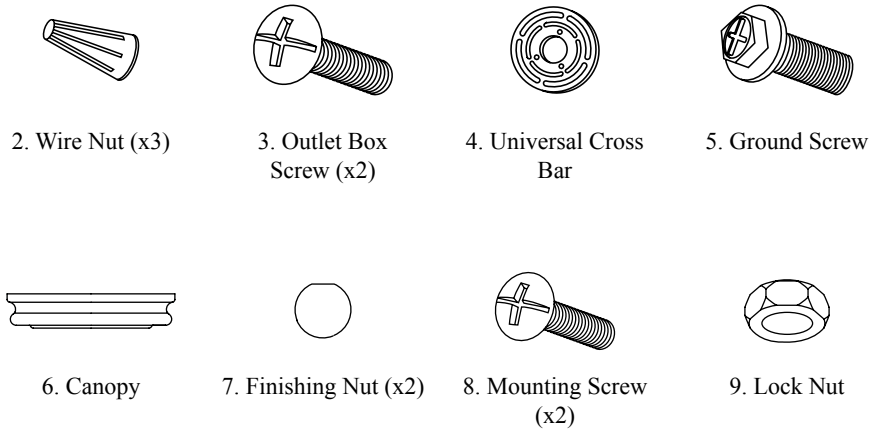
**CAUTION:**

1. Before starting installation of this fixture or removal of a previous fixture, disconnect the power by turning off the circuit breaker or by removing the fuse at the fuse box.
2. CONSULT A QUALIFIED ELECTRICIAN IF YOU HAVE ANY ELECTRICAL QUESTIONS.
3. If you have any non-electrical question about this fixture, please contact our Customer Service Team at 1-877-527-0313 or visit [www.homedepot.com](http://www.homedepot.com). Please reference your **SKU 600-006 or (UPC 773546217361)**.
4. Keep your receipt and these Instructions for Proof of Purchase.

**INSTALLATION:**



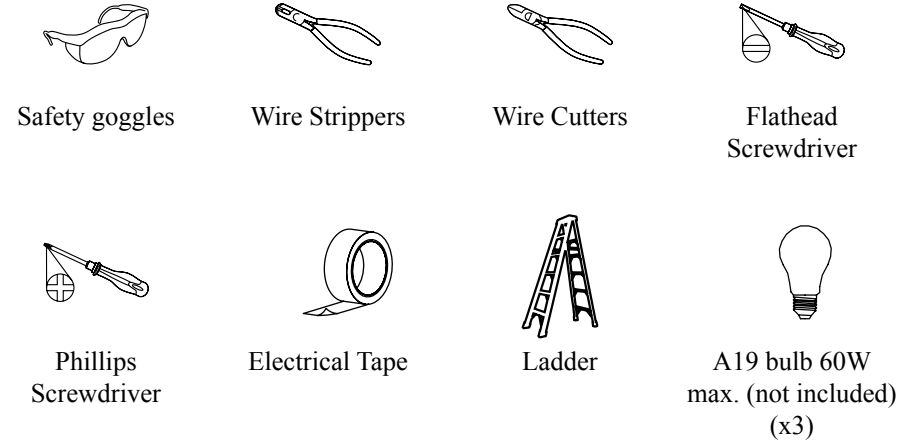
**ADDITIONAL PARTS FOR INSTALLATION (included):**



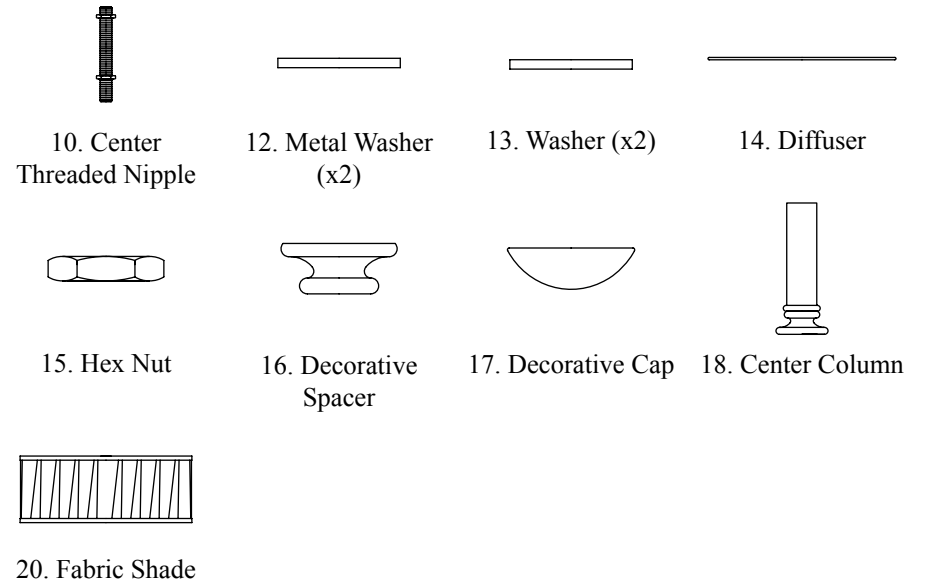
**INSTALLATION INSTRUCTIONS:**

1. Turn off power at main fuse box.
  2. Mount universal cross bar (4) to junction box (1) with outlet box screw (3). Make sure black and white wires of junction box (1) run through the middle opening of the universal cross bar (4).
  3. Fasten open end of ground wire (bar copper or green wire), to ground wire or ground screw (5) of junction box (1) or ground screw (5) on universal cross bar (4). (Refer to Figure #1)
  4. Connect black wire of power supply to black wire of the fixture and connect the white wire of the power supply to the white wire of the fixture. (Refer to Figure #1)
- Note: Always use wire nuts (2) or marrettes (included) to connect wires and push all excess wire and connections back into junction box (1).
5. Mount canopy (6) over universal cross bar (4) and tighten with 2 finishing nuts (7).

**TOOLS REQUIRED FOR ASSEMBLY & INSTALLATION (not included):**



**ADDITIONAL PARTS FOR ASSEMBLY (included):**



## ASSEMBLY INSTRUCTIONS:

1. Carefully unpack the fixture; lay out all parts on clean surface.
2. Tighten center threaded nipple (10) to the nipple extension.
3. Secure center column (18) onto the hub of center column frame (19).

## SHADE AND BULB INSTALLATION:

1. Install A19 bulb 60W max. (not included).
2. Place metal washer (12), washer (13) and diffuser (14) on the center threaded nipple (10) add additional washers in reverse order and tighten assembly with hex nut (15).
3. Insert decorative spacer (16) onto the center threaded nipple (10) secure final assembly with decorative cap (17).

## ASSEMBLY:

