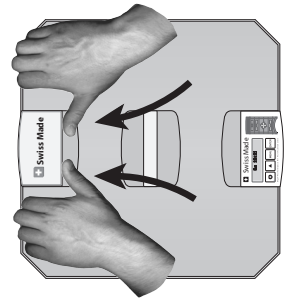


Replacing Your Pre-Filter

1. Opening and Closing the Air Cleaner Housing

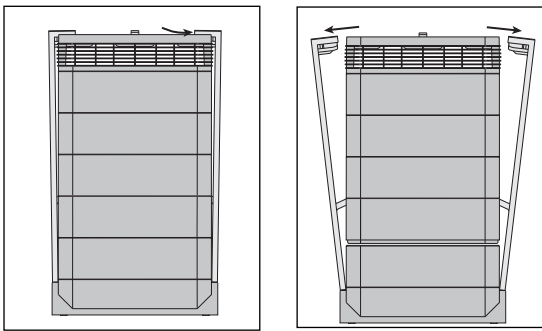
The stacked housing elements are held together by two locking arms that hook into the diffuser. To open the system follow the steps below.

1. Disconnect the system from the power supply before attempting to open the system.
2. Press the first locking arm outward, using both thumbs as shown. Press just hard enough to release the arm from its snap-in position in the diffuser. Disengage the other arm in the same way.
3. Pull both locking arms evenly outwards until they snap into place and remain open. Access to all filter elements is now possible (to change a specific filter, refer to the appropriate section below).
4. To close the housing, simply align the housing elements, and push the locking arms inwards simultaneously until they snap back into the housing.

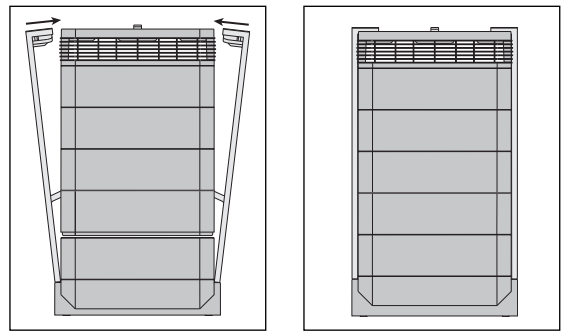


Used filter can normally be added to the regular trash for disposal. Only when the air cleaner has been exposed to regulated substances may these filters have to be disposed of as hazardous waste.

Opening

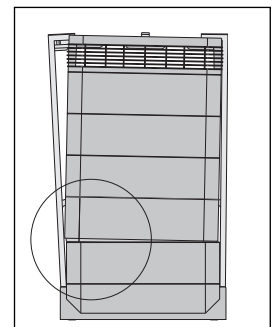


Closing

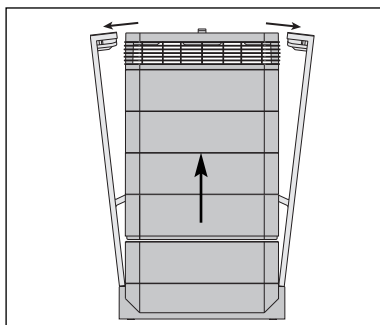


Troubleshooting when closing the Housing

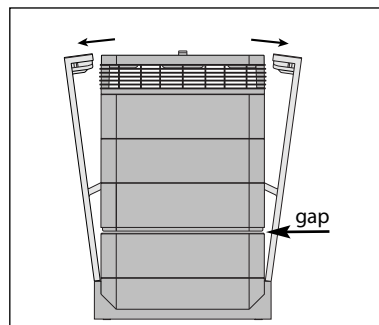
If the device does not close properly, the upper part of the system may be offset against the lower part. To solve this problem, simply open both locking arms again and push both locking arms in simultaneously.



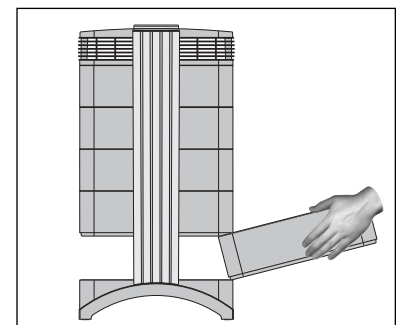
II. Replacing the Pre-Filter (F1)



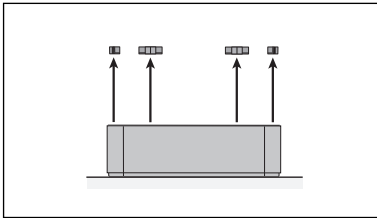
1. Open the locking arms, making sure they are fully extended outward. For details, refer to the section I.



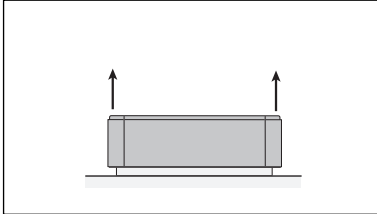
2. Opening the arms will cause the upper part of the housing to separate from frame 1. This will leave a narrow gap.



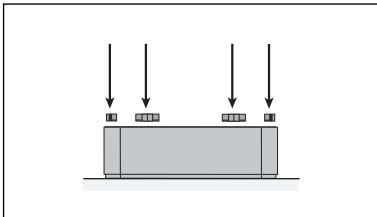
3. Keeping the locking arms open, place your hands on opposite sides of frame 1, lift it slightly and pull it out slowly. As the frame is withdrawn from the system, tilt it progressively upward to remove it completely.



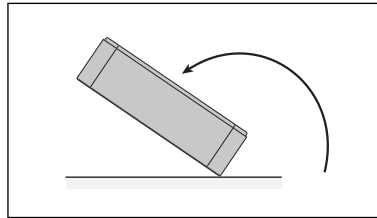
4. Remove the filter clamps that secure the filter in the frame, by pulling these out of the sliding grooves.



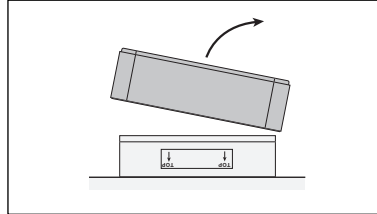
7. Lift the frame from the filter.



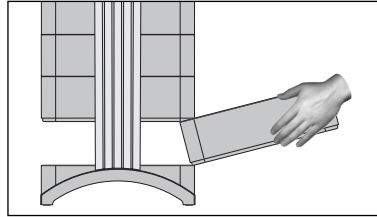
10. Make sure that the filter is inserted all the way into the frame. Insert the clamps into the sliding grooves inside the frame and push them down.



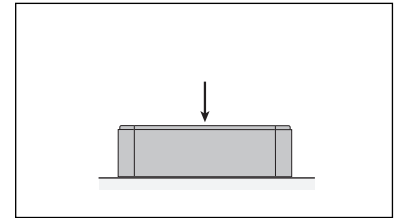
5. Turn the frame over so it is upside down.



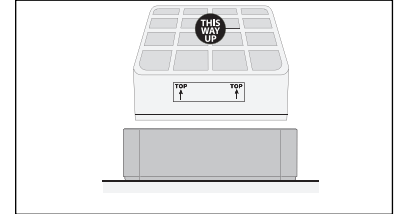
8. Dispose of the used filter.*



11. To reinsert frame 1, tilt it upwards at an angle while progressively pushing the frame back into the housing. For details on how to close the housing, please refer to section I.



6. With the palm of the hand, press down on the filter element and loosen the frame.



9. Turn the frame over (right side up again) and insert the new filter. Ensure that the arrows on the filter label point upward.



12. After a filter has been replaced, the Filter Life Monitor must be reset from the control panel (see section III below.)

* **Discarding Used Filters:** Used filter elements can normally be put into the regular household trash for disposal. If the system may have been exposed to potentially hazardous substances, the filters may have to be disposed of as hazardous waste. Please refer to local regulations and laws for proper handling and disposal.

III. Filter Life Reset

The Filter Life Reset function allows the Filter Life Monitor to be reset after a new filter has been inserted. As a result, the appropriate filter life LED on the control panel will be reset to green and the hour count in the Filter Life Monitor menu will be reset to the full life span of the new filter. Note: Resetting the Filter Life Monitor will also cancel the "Replace Filter" warning from the main display window.

1. To reach the Filter Life Reset function from the main display window, press the **Menu** key seven times.
2. Press and hold the **Enter** key until the flashing cursor appears. Release the **Enter** key. The first filter selection to appear is the pre-filter.
3. Press the **▲** key to select the filter that has been replaced. The filter life LED for the appropriate filter is now flashing red.
4. Press the **Enter** key to confirm that the selected filter has been replaced.
5. Press the **Enter** key one more time to confirm the filter change. Or to exit, press the **Menu** key (M-Menu).
6. Upon successful reset of the filter life, the new remaining filter life (taking the currently selected fan speed into account) will be displayed, and the filter LED light on the control panel will change from red to green.

