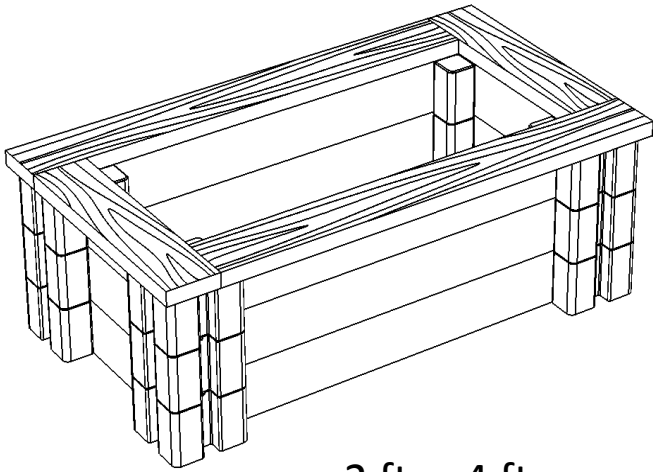


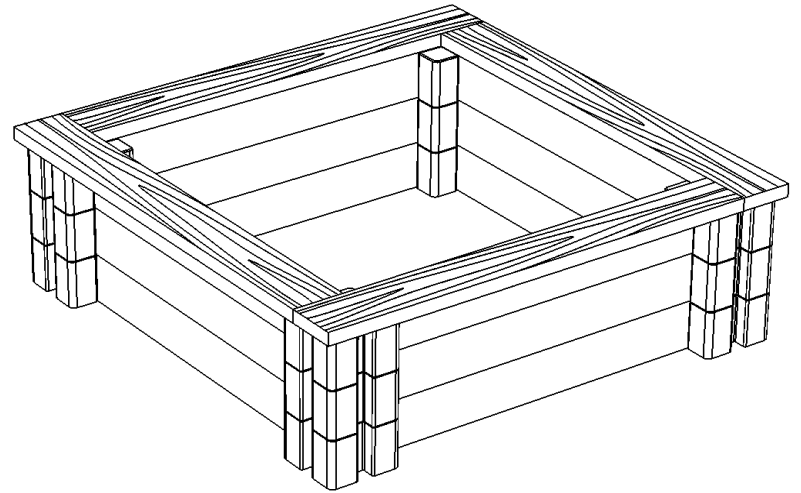
Product Configurations



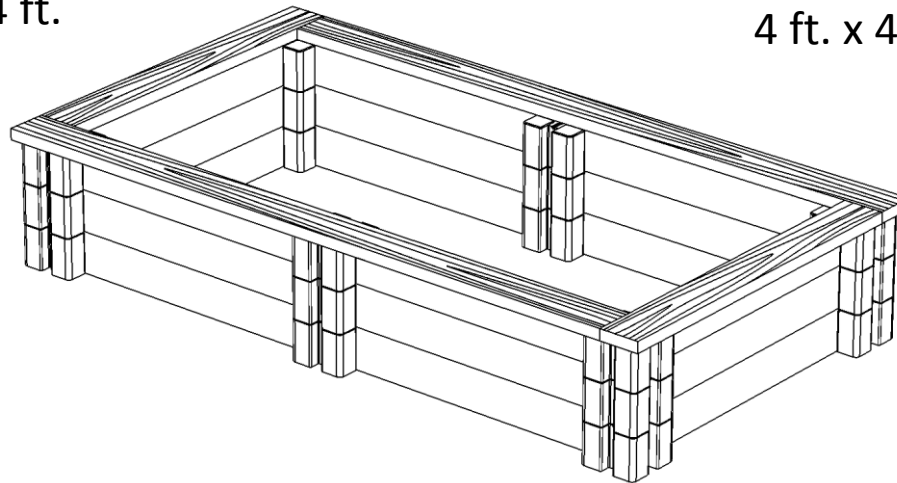
Basic Installations



2 ft. x 4 ft.

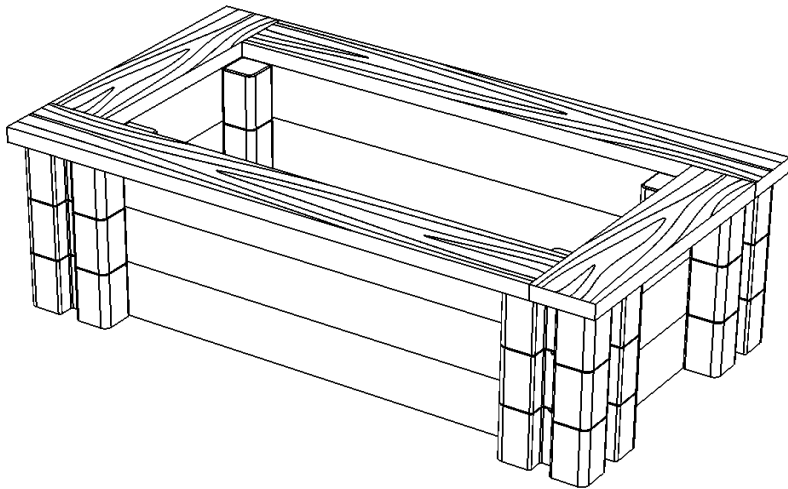


4 ft. x 4 ft.

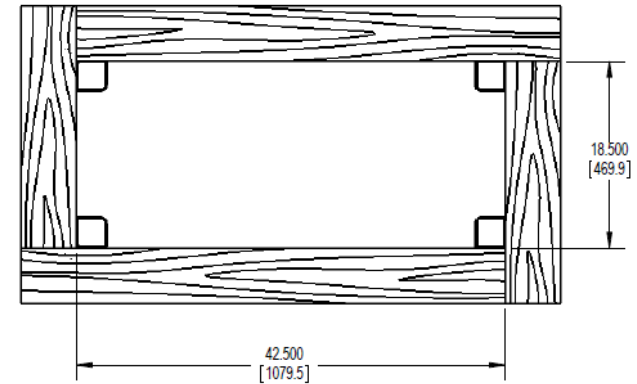


4 ft. x 8 ft.

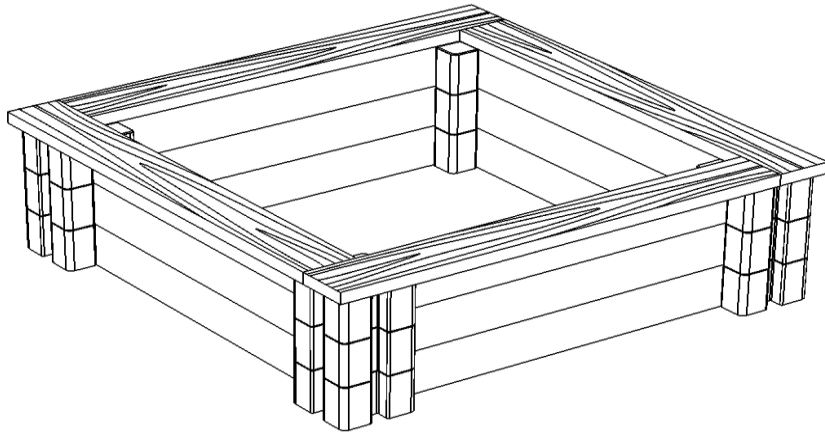
24 in. x 48 in. Raised Garden Bed



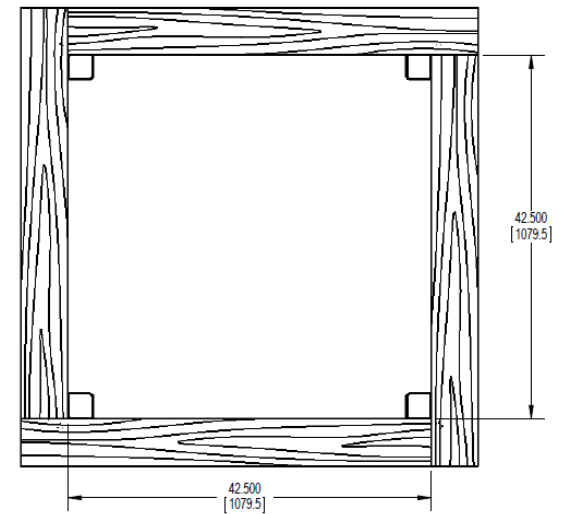
ITEM #	Item	DESCRIPTION	QTY.
1	SKU: 1001571811	Planter Wall Block	12
2	2 in. x 6 in. x 8 ft. Lumber	CAP - Cut to length: 4 ft.	2
3	2 in. x 6 in. x 8 ft. Lumber	CAP - Cut to length: 2 ft.	2
4	2 in. x 6 in. x 8 ft. Lumber	SIDE - Cut to length: 39.5 in.	6
5	2 in. x 6 in. x 8 ft. Lumber	SIDE - Cut to length: 15.5 in.	
6	0.625 in. x 36 in. Steel Round Rod	36 in. (rebar)	4



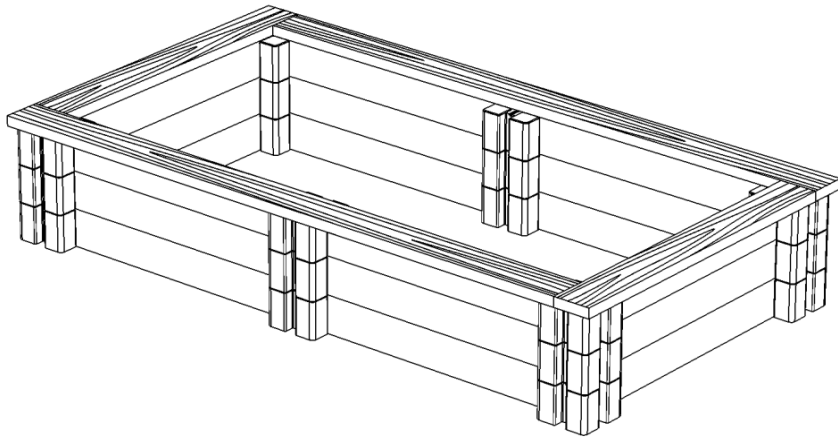
48 in. x 48 in. Raised Garden Bed



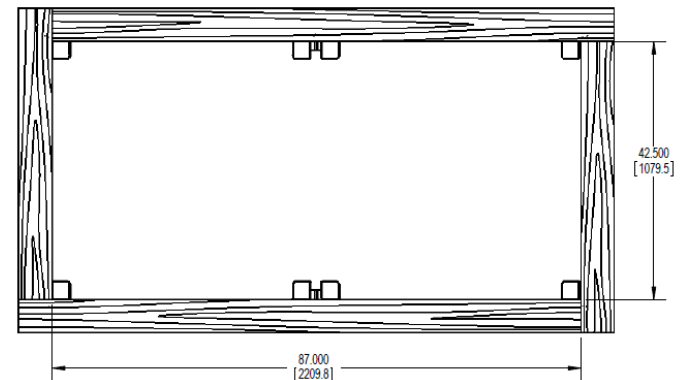
ITEM NO.	Item	DESCRIPTION	QTY.
1	SKU: 1001571811	Planter Wall Block	12
2	2 in. x 6 in. x 8 ft. Lumber	CAP - Cut to length: 4 ft.	4
3	2 in. x 6 in. x 8 ft. Lumber	SIDE - Cut to length: 39.5 in.	12
4	0.625 in. x 36 in. Steel Round Rod	36 in. (rebar)	4



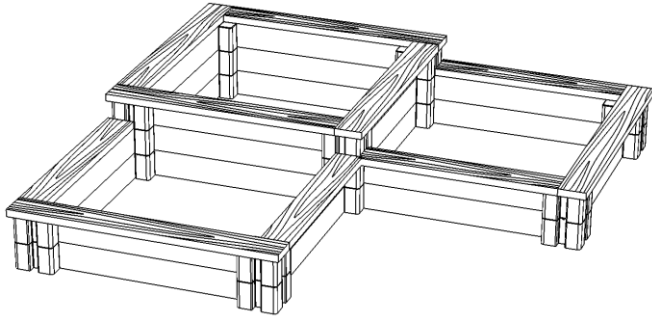
48 in. x 96 in. Raised Garden Bed



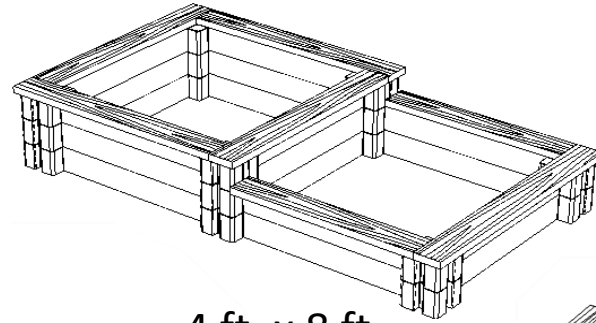
ITEM NO.	Item	DESCRIPTION	QTY.
1	SKU: 1001571811	Planter Wall Block	18
2	2 in. x 6 in. x 8 ft. Lumber	CAP - Cut to length: 92.5 in.	2
3	2 in. x 6 in. x 8 ft. Lumber	CAP - Cut to length: 4 ft.	2
4	2 in. x 6 in. x 8 ft. Lumber	SIDE - Cut to length: 39.5 in.	18
5	0.625 in. x 36 in. Steel Round Rod	36 in. (rebar)	6



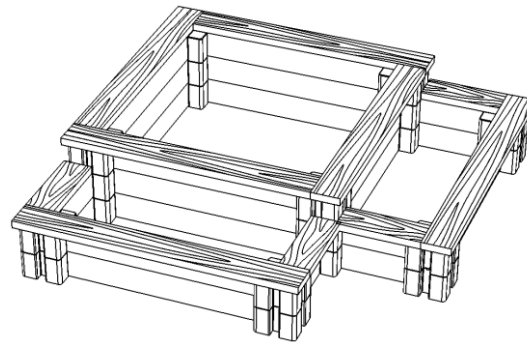
Tiered Installations



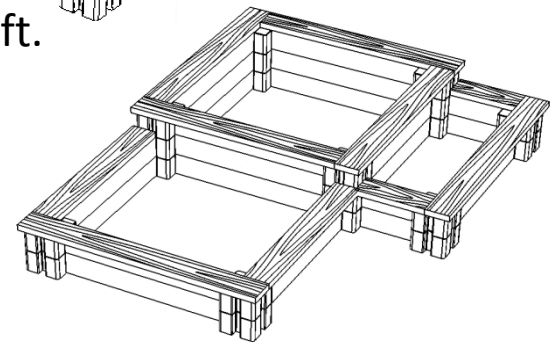
Large L-Shape



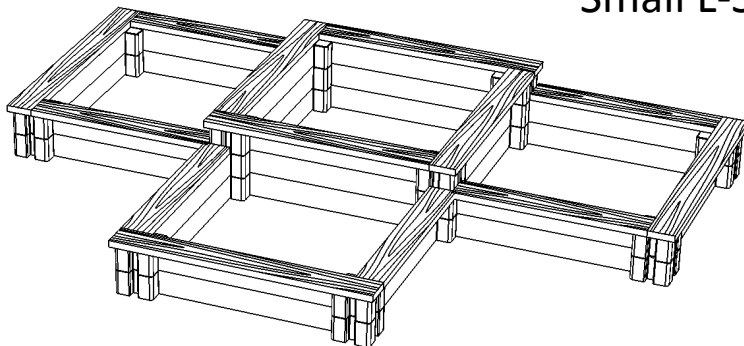
4 ft. x 8 ft.



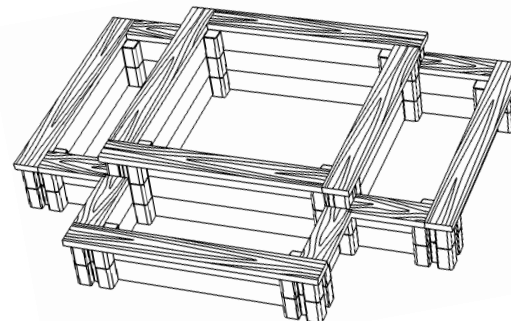
Small L-Shape



Hybrid L-Shape

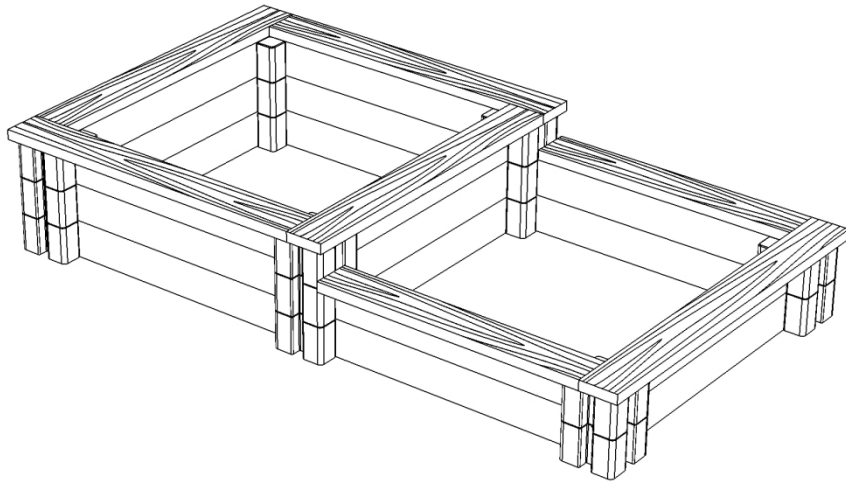


Large T-Shape

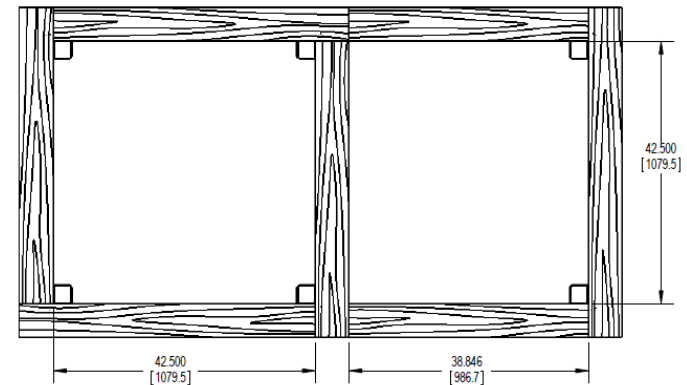


Small T-Shape

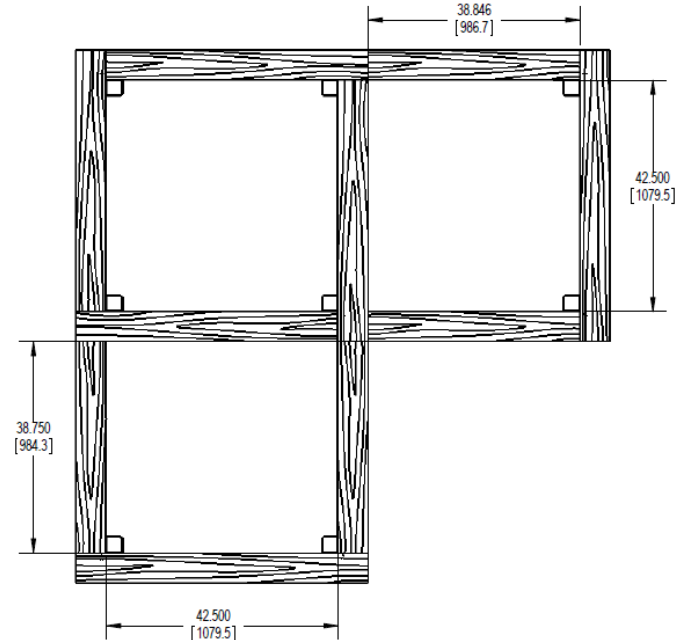
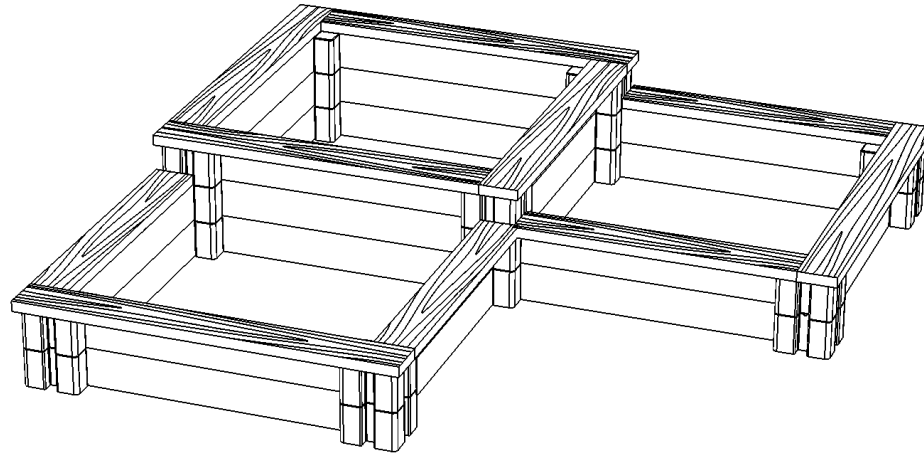
48 in. x 96 in. Two Tiers Raised Garden Bed



ITEM NO.	Item	DESCRIPTION	QTY.
1	SKU: 1001571811	Planter Wall Block	16
2	2 in. x 6 in. x 8 ft. Lumber	CAP - Cut to length: 4 ft.	4
3	2 in. x 6 in. x 8 ft. Lumber	SIDE - Cut to length: 39.5 in.	18
4	0.625 in. x 36 in. Steel Round Rod	36 in. (rebar)	6
5	2 in. x 6 in. x 8 ft. Lumber	CAP - Cut to length: 53.5 in.	1
6	2 in. x 6 in. x 8 ft. Lumber	CAP - Cut to length: 39.5 in.	2

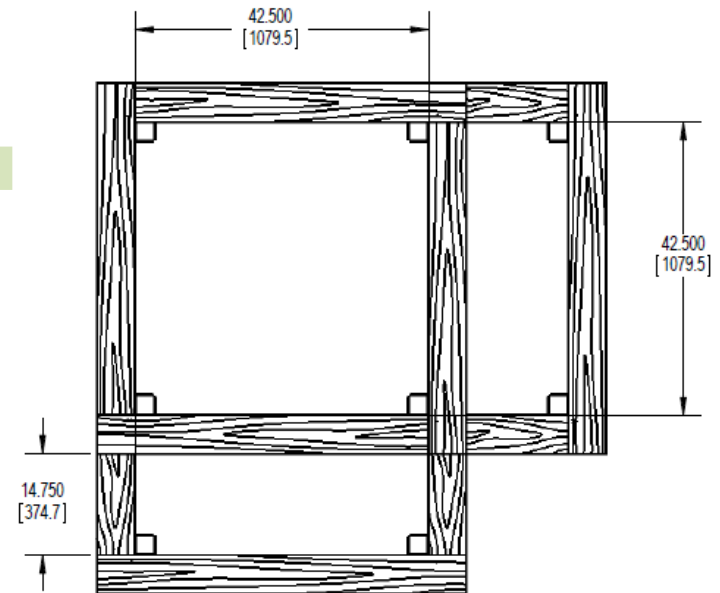
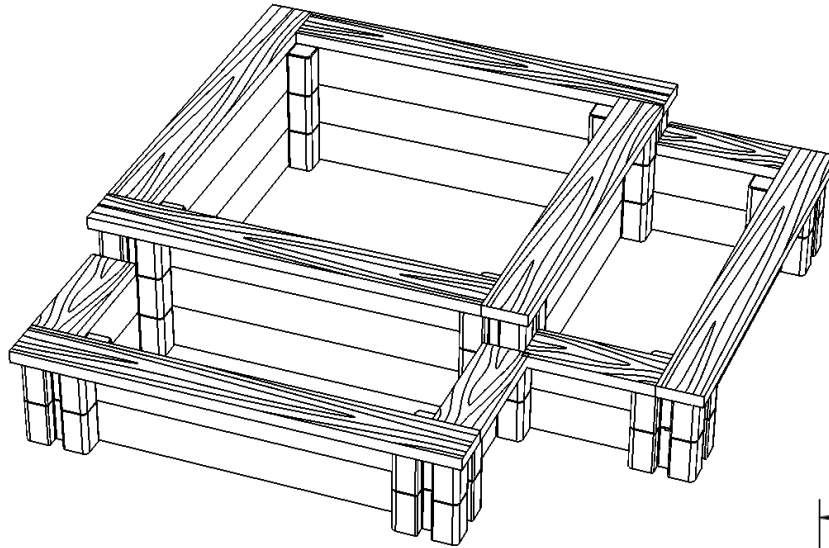


48 in. x 96 in. Large L-Shape Raised Garden Bed



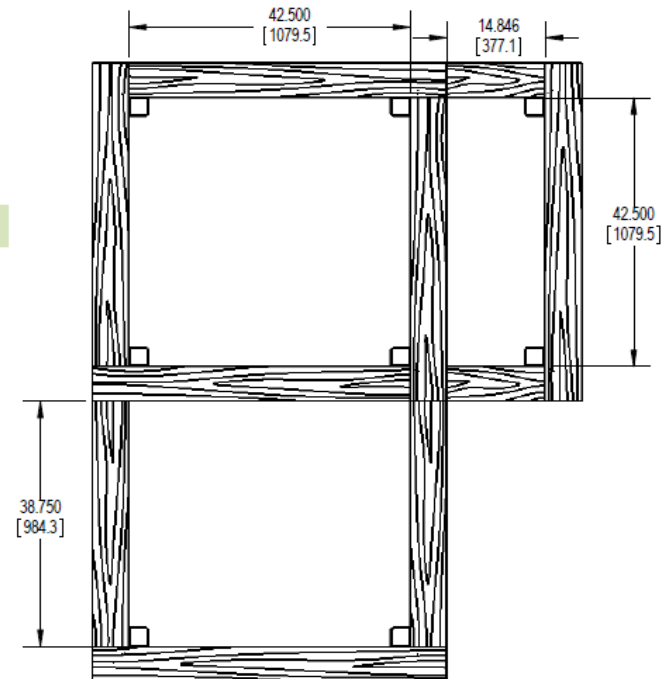
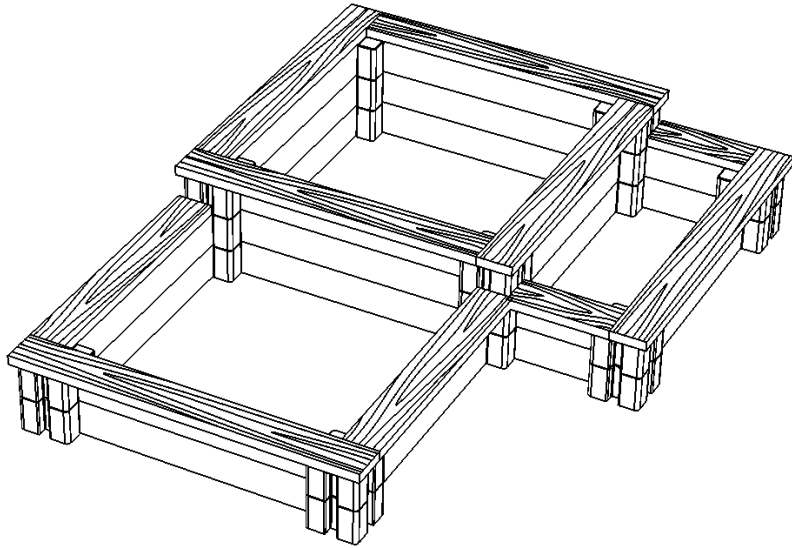
ITEM NO.	Item	DESCRIPTION	QTY.
1	SKU: 1001571811	Planter Wall Block	20
2	2 in. x 6 in. x 8 ft. Lumber	CAP - Cut to length: 4 ft.	4
3	2 in. x 6 in. x 8 ft. Lumber	SIDE - Cut to length: 39.5 in.	24
4	0.625 in. x 36 in. Steel Round Rod	36 in. (rebar)	8
5	2 in. x 6 in. x 8 ft. Lumber	CAP - Cut to length: 53.5 in.	2
6	2 in. x 6 in. x 8 ft. Lumber	CAP - Cut to length: 39.5 in.	4

48 in. x 72 in. Small L-Shape Raised Garden Bed



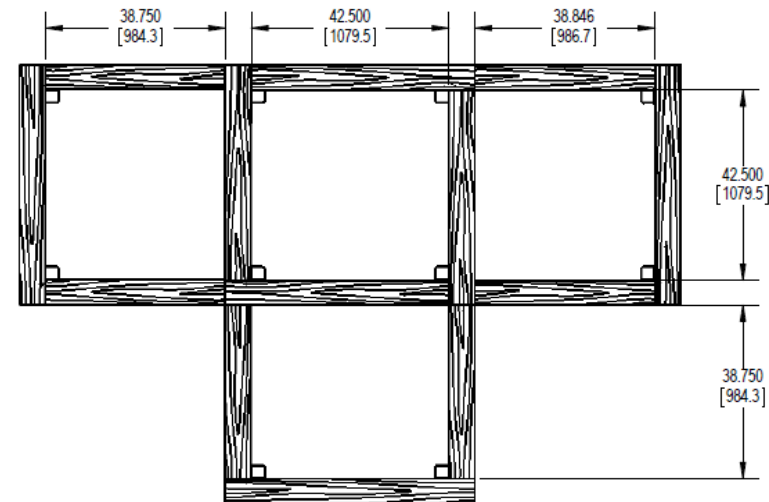
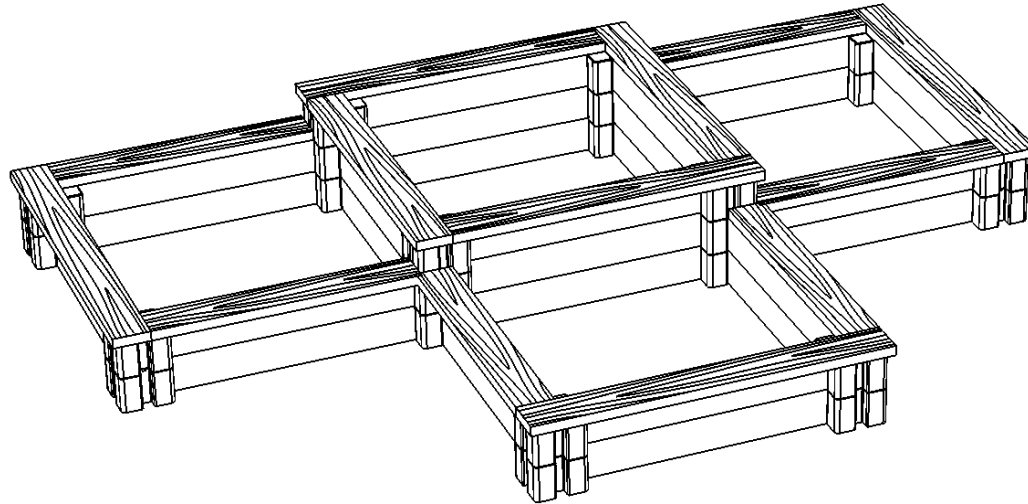
ITEM NO.	Item	DESCRIPTION	QTY.
1	SKU: 1001571811	Planter Wall Block	20
2	2 in. x 6 in. x 8 ft. Lumber	CAP - Cut to length: 4 ft.	4
3	2 in. x 6 in. x 8 ft. Lumber	SIDE - Cut to length: 39.5 in.	16
4	0.625 in. x 36 in. Steel Round Rod	36 in. (rebar)	8
5	2 in. x 6 in. x 8 ft. Lumber	SIDE - Cut to length: 15.5 in.	8
6	2 in. x 6 in. x 8 ft. Lumber	CAP - Cut to length: 53.5 in.	2
7	2 in. x 6 in. x 8 ft. Lumber	CAP - Cut to length: 15.5 in.	4

48 in. x 96 in. Hybrid L-Shape Raised Garden Bed



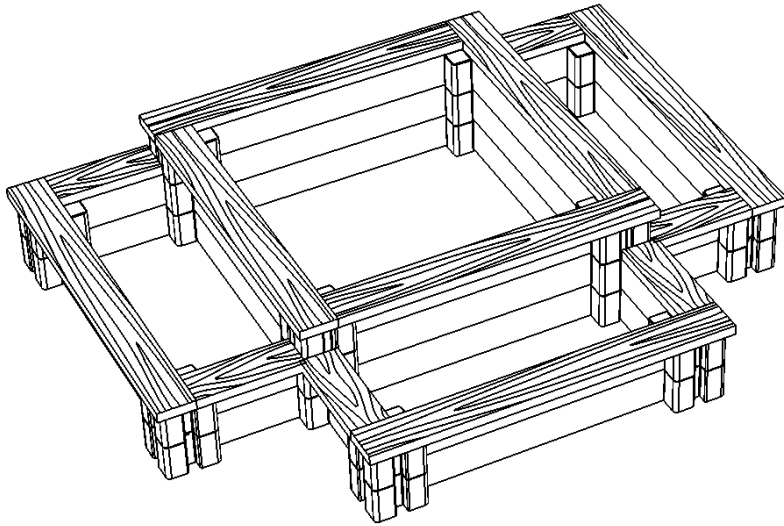
ITEM NO.	Item	DESCRIPTION	QTY.
1	SKU: 1001571811	Planter Wall Block	20
2	2 in. x 6 in. x 8 ft. Lumber	CAP - Cut to length: 4 ft.	4
3	2 in. x 6 in. x 8 ft. Lumber	SIDE - Cut to length: 39.5 in.	20
4	0.625 in. x 36 in. Steel Round Rod	36 in. (rebar)	8
5	2 in. x 6 in. x 8 ft. Lumber	SIDE - Cut to length: 15.5 in.	4
6	2 in. x 6 in. x 8 ft. Lumber	CAP - Cut to length: 53.5 in.	2
7	2 in. x 6 in. x 8 ft. Lumber	CAP - Cut to length: 15.5 in.	2
8	2 in. x 6 in. x 8 ft. Lumber	CAP - Cut to length: 39.5 in.	2

48 in. x 144 in. Large T-Shape Raised Garden Bed

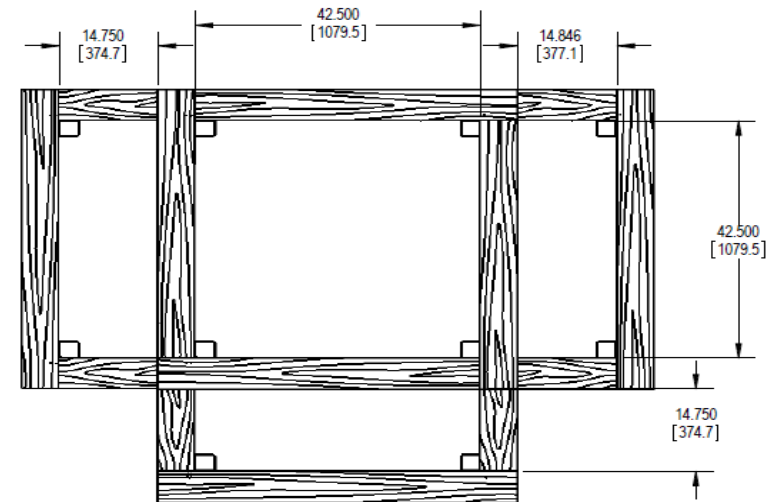


ITEM NO.	Item	DESCRIPTION	QTY.
1	SKU: 1001571811	Planter Wall Block	24
2	2 in. x 6 in. x 8 ft. Lumber	CAP - Cut to length: 4 ft.	4
3	2 in. x 6 in. x 8 ft. Lumber	SIDE - Cut to length: 39.5 in.	30
4	0.625 in. x 36 in. Steel Round Rod	36 in. (rebar)	10
5	2 in. x 6 in. x 8 ft. Lumber	CAP - Cut to length: 53.5 in.	3
6	2 in. x 6 in. x 8 ft. Lumber	CAP - Cut to length: 39.5 in.	6

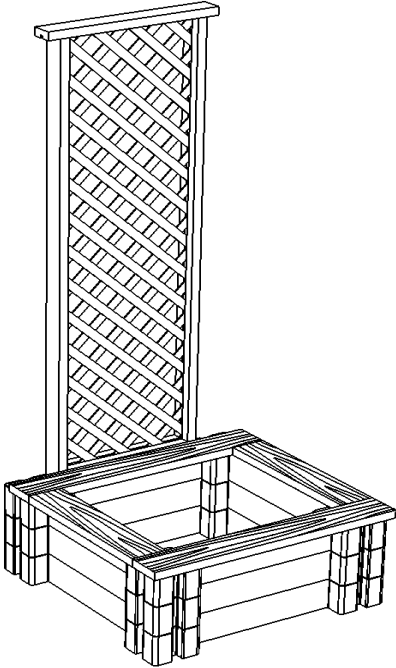
48 in. x 96 in. Small T-Shape Raised Garden Bed



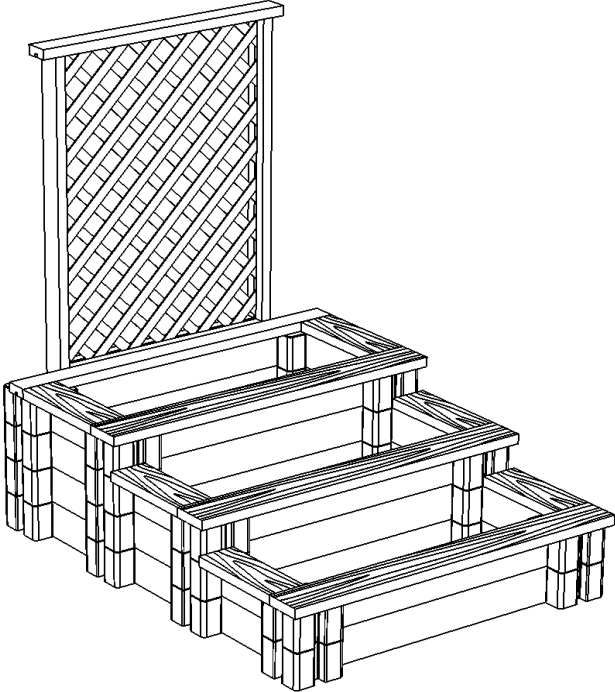
ITEM NO.	Item	DESCRIPTION	QTY.
1	SKU: 1001571811	Planter Wall Block	24
2	2 in. x 6 in. x 8 ft. Lumber	CAP - Cut to length: 4 ft.	4
3	2 in. x 6 in. x 8 ft. Lumber	SIDE - Cut to length: 39.5 in.	18
4	0.625 in. x 36 in. Steel Round Rod	36 in. (rebar)	10
5	2 in. x 6 in. x 8 ft. Lumber	SIDE - Cut to length: 15.5 in.	12
6	2 in. x 6 in. x 8 ft. Lumber	CAP - Cut to length: 53.5 in.	3
7	2 in. x 6 in. x 8 ft. Lumber	CAP - Cut to length: 15.5 in.	6



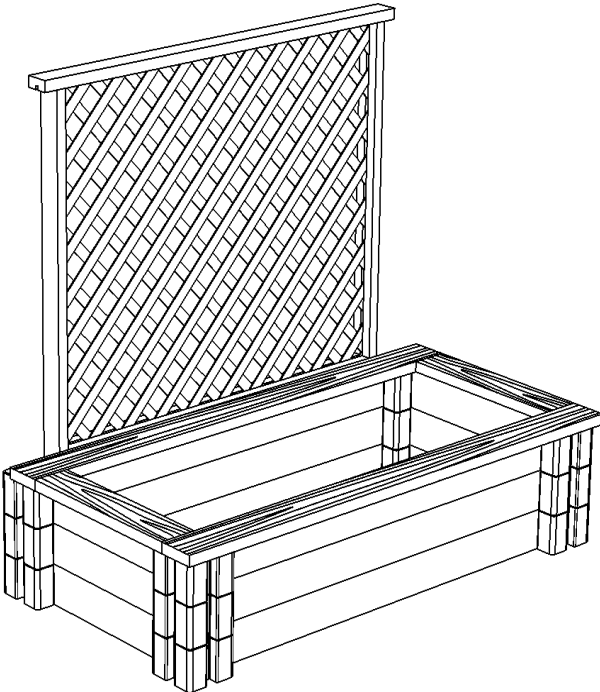
Wood Lattice options



3 ft. x 3 ft.

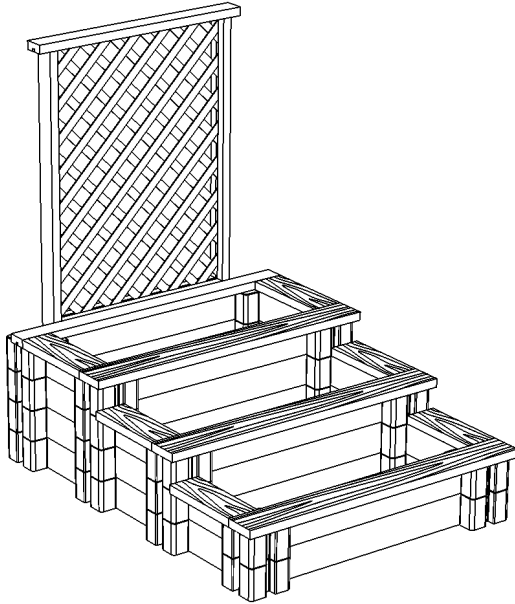


3-Tiered

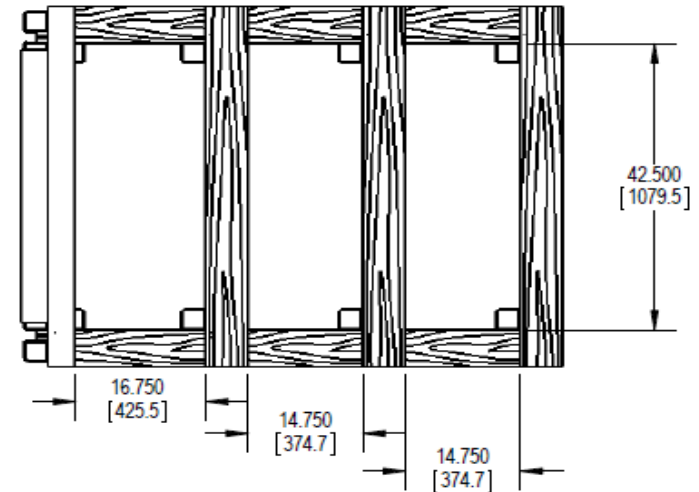


4 ft. x 6 ft.

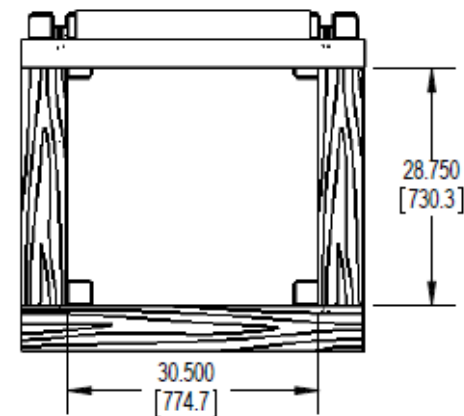
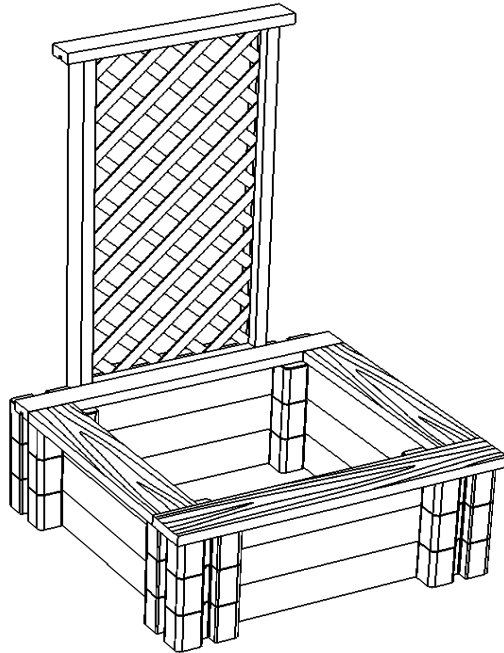
48 in. x 72 in. Three Tiers Raised Garden Bed



ITEM NO.	Item	DESCRIPTION	QTY.
1	SKU: 1001571811	Planter Wall Block	26
2	2 in. x 6 in. x 8 ft. Lumber	SIDE - Cut to length: 39.5 in.	13
3	2 in. x 6 in. x 8 ft. Lumber	SIDE - Cut to length: 15.5 in.	18
4	0.625 in. x 36 in. Steel Round Rod	36 in. (rebar)	8
5	2 in. x 6 in. x 8 ft. Lumber	CAP - Cut to length: 15.5 in.	4
6	2 in. x 6 in. x 8 ft. Lumber	CAP - Cut to length: 53.5 in.	3
7	2 in. 4 in. x 8 ft. Grooved Lumber	Cut to length: 70.5 in.	2
8	2 in. 4 in. x 8 ft. Grooved Lumber	Cut to length: 33.5 in.	1
9	2 in. 4 in. x 8 ft. Grooved Lumber	Cut to length: 40.5 in.	1
10	Pressure Treated Wood Lattice 4ft x 8ft	Cut to dim. 34.5 x 48 in.	1
11	2 in. x 6 in. x 8 ft. Lumber	CAP - Cut to length: 16.75 in.	2
12	2 in. 4 in. x 8 ft. Grooved Lumber	Cut to length: 53.5 in.	1

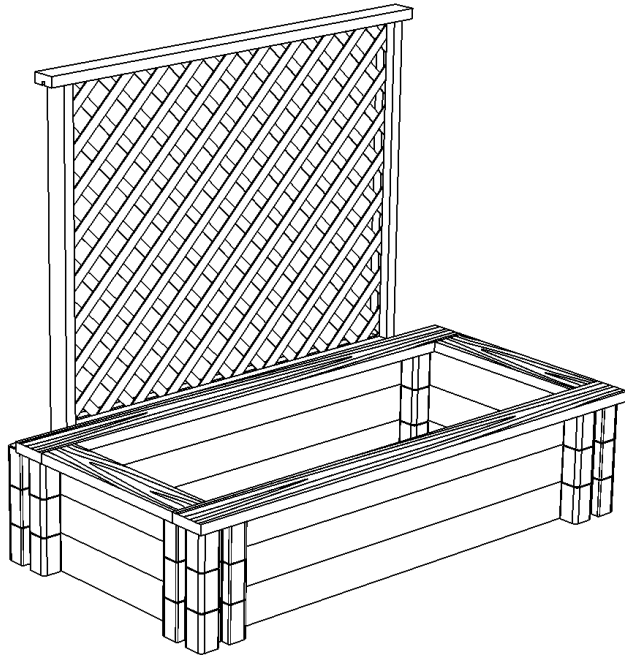


36 in. x 36 in. Raised Garden Bed

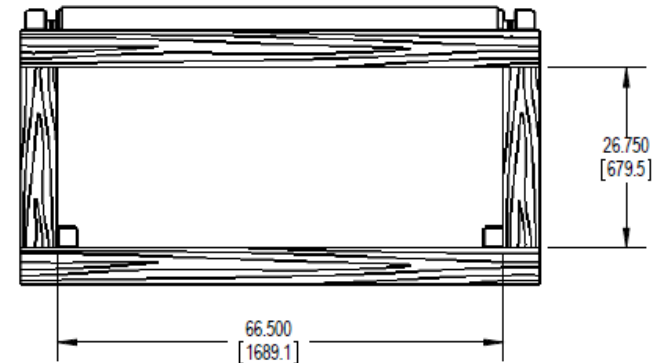


ITEM NO.	Item	DESCRIPTION	QTY.
1	SKU: 1001571811	Planter Wall Block	12
2	2 in. x 6 in. x 8 ft. Lumber	SIDE - Cut to length: 27.5 in.	12
3	0.625 in. x 36 in. Steel Round Rod	36 in. (rebar)	4
4	2 in. 4 in. x 8 ft. Grooved Lumber	Cut to length: 65 in.	2
5	2 in. 4 in. x 8 ft. Grooved Lumber	Cut to length: 21.5 in.	1
6	2 in. 4 in. x 8 ft. Grooved Lumber	Cut to length: 28.5 in.	1
7	Pressure Treated Wood Lattice 4ft x 8ft	Cut to dim. 22.5 x 48 in.	1
8	2 in. x 6 in. x 8 ft. Lumber	CAP - Cut to length: 41.5 in.	1
9	2 in. x 6 in. x 8 ft. Lumber	CAP - Cut to length: 28.75 in.	2
10	2 in. 4 in. x 8 ft. Grooved Lumber	Cut to length: 41.5 in.	1

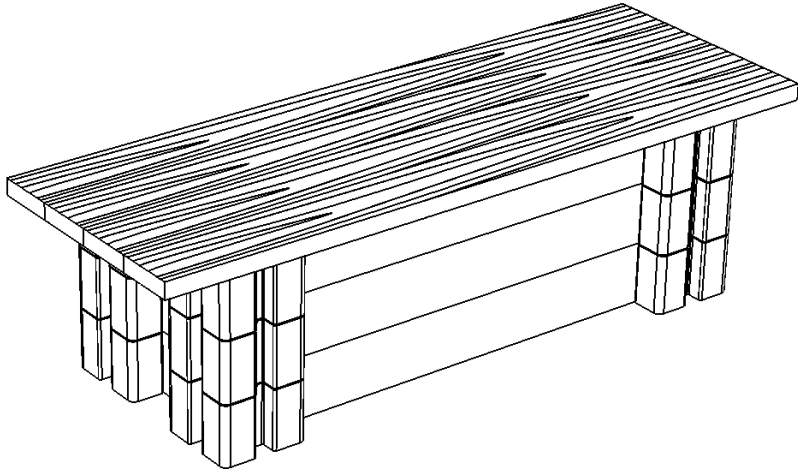
36 in. x 72 in. Raised Garden Bed



ITEM NO.	Item	DESCRIPTION	QTY.
1	SKU: 1001571811	Planter Wall Block	12
2	2 in. x 6 in. x 8 ft. Lumber	SIDE - Cut to length: 63.5 in.	6
3	2 in. x 6 in. x 8 ft. Lumber	SIDE - Cut to length: 27.5 in.	6
4	0.625 in. x 36 in. Steel Round Rod	36 in. (rebar)	4
5	2 in. 4 in. x 8 ft. Grooved Lumber	Cut to length: 65 in.	3
6	2 in. 4 in. x 8 ft. Grooved Lumber	Cut to length: 57.5 in.	1
7	Pressure Treated Wood Lattice 4ft x 8ft	Cut to dim. 48 x 58.5 in.	1
8	2 in. x 6 in. x 8 ft. Lumber	CAP - Cut to length: 77.5 in.	2
9	2 in. x 6 in. x 8 ft. Lumber	CAP - Cut to length: 26.75 in.	2



Furniture

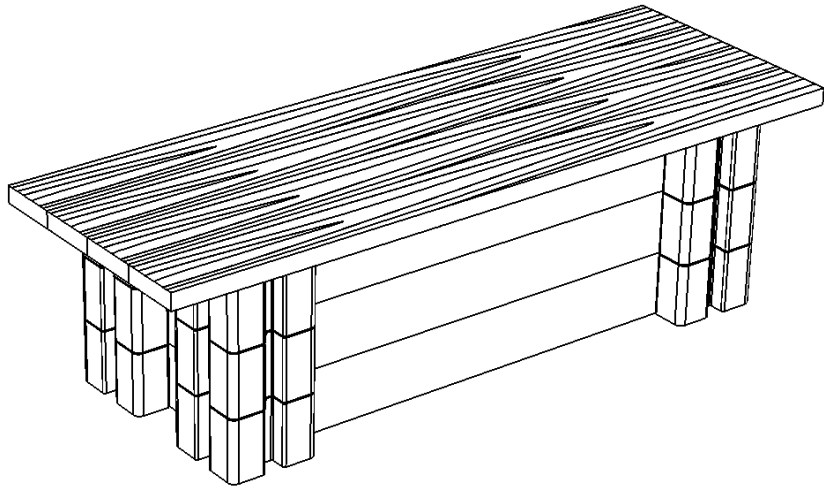


Bench

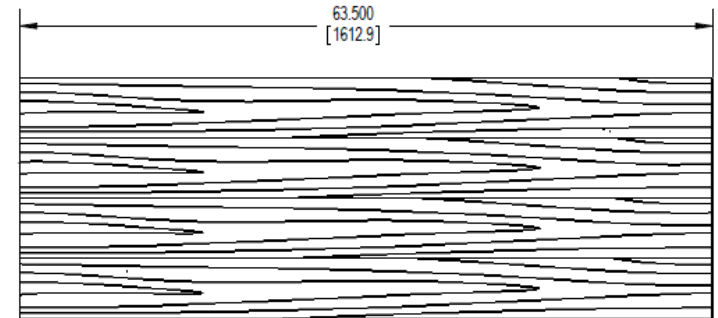


Storage

4 ft. Bench



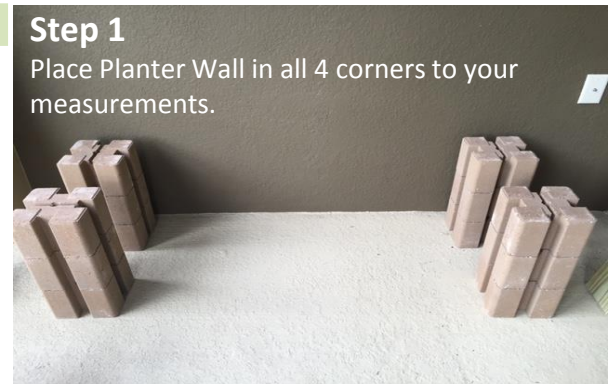
ITEM NO.	Item	DESCRIPTION	QTY.
1	SKU: 1001571811	Planter Wall Block	12
2	2 in. x 6 in. x 8 ft. Lumber	SIDE - Cut to length: 39.5 in.	6
3	2 in. x 6 in. x 8 ft. Lumber	SIDE - Cut to length: 8 in.	6
4	0.625 in. x 36 in. Steel Round Rod	36 in. (rebar)	4
5	2 in. x 6 in. x 8 ft. Lumber	CAP - Cut to length: 63.5 in.	4
6	2 in. x 6 in. x 8 ft. Lumber	SIDE - Cut to length: 11 3/8 in.	1



Storage Unit – Product Submission

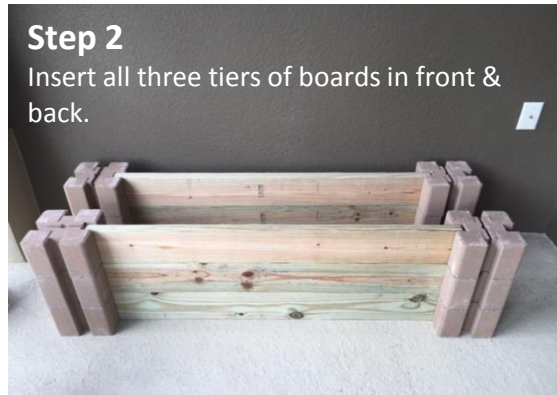


ITEM NO.	Item	QTY.
1	SKU: 1001571811	12
2	2 in. x 6 in. x 8 ft. Lumber	4
3	1 in. x 6 in. x 8 ft. Lumber	3
4	2 in. x 4 in. x 8 ft. Lumber	1
5	Heavy Duty Tee Hinge	2
6	Light Duty Door Pull	1
7	Wood Screws (12 pack)	2



Step 1

Place Planter Wall in all 4 corners to your measurements.



Step 2

Insert all three tiers of boards in front & back.



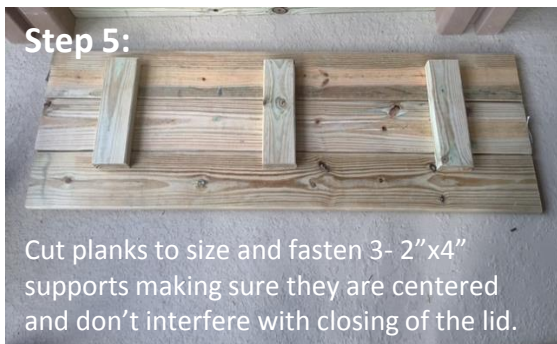
Step 3

Insert all three tiers of boards on both sides.



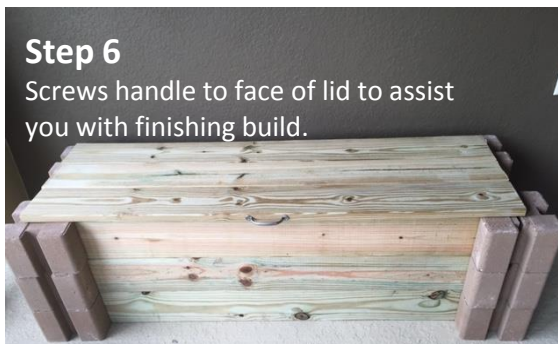
Step 4

Measure for your desired lid size.



Step 5:

Cut planks to size and fasten 3- 2"x4" supports making sure they are centered and don't interfere with closing of the lid.



Step 6

Screws handle to face of lid to assist you with finishing build.



Step 7

Screw the hinges in-between supports.