

Model # 6236-881 White Model # 6237-881 Espresso
Model # 6293-881 Back Model # 6335-881 Gray


Examine all packaging material for small parts that may have come loose during shipment. Periodic checks are recommended to insure that all components are in proper position, tight and free from damage. Keep this assembly instruction for future reference. Adult assembly is required. The product of Hillsdale Furniture, LLC is designed for residential use only. Customer Service Phone Number: 502-562-0000

HARDWARE LIST

A (2) #4 x 1/2" Screws

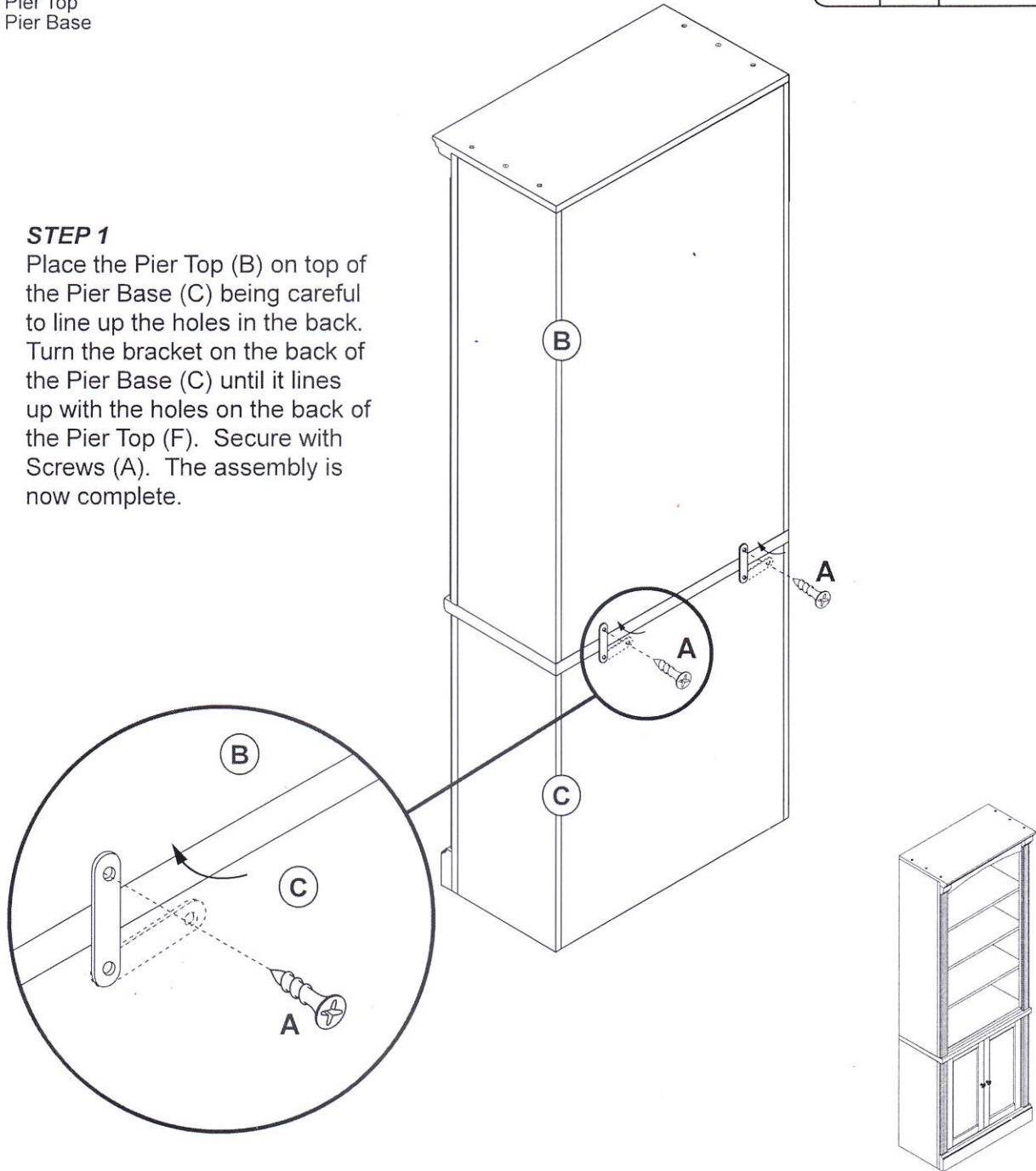
PARTS LIST

B (1) Pier Top
 C (1) Pier Base

PART	QTY	HARDWARE
	2	

STEP 1

Place the Pier Top (B) on top of the Pier Base (C) being careful to line up the holes in the back. Turn the bracket on the back of the Pier Base (C) until it lines up with the holes on the back of the Pier Top (F). Secure with Screws (A). The assembly is now complete.



CARE & MAINTENANCE: The touch of a soft cloth is all the maintenance the finish will ever need. Please do not use harsh or abrasive cleaners for polishing, as they may cause damage to the finish. Periodic checks are recommended to make sure that all hardware is securely tightened.