

# MILLBRIDGE (Satin Nickel) 2 LT Wall Mount

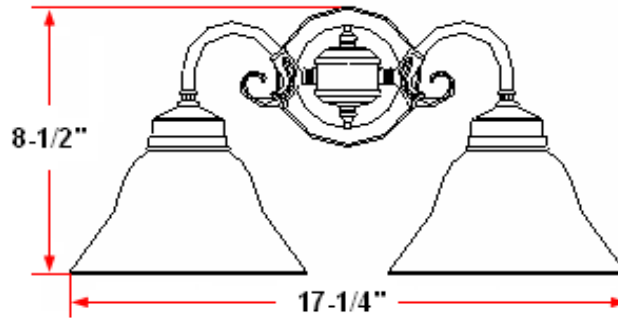


## Specifications

<b>Material Construction:</b>	Formed Steel
<b>Lens:</b>	Alabaster glass
<b>Lamp Type &amp; Wattage:</b>	Two 60W, medium base incandescent lamps
<b>Mounting:</b>	Wall mounted; Suitable for up/down mounting
<b>Finish:</b>	Satin Nickel (US15)
<b>Voltage:</b>	120V
<b>Weight:</b>	3.5 lbs
<b>Companion Fixtures:</b>	Chandeliers, wall sconce, wall mounts, pendants & ceiling mounts



## Dimensions



## Warranty & Compliances

<b>Warranty</b>	10 Year Limited Warranty
<b>UL</b>	UL/cUL listed; Suitable for damp locations
<b>ADA</b>	N/A
<b>EnergyStar</b>	N/A



## Companion Fixtures

2 LT Wall Mount	511600	
1 LT Wall Sconce	511584	
1 LT Wall Mount	511618	
1 LT Ceiling Mount (6 <sup>3/4</sup> " x 6")	511592	
1 LT Ceiling Mount (5" x 7 <sup>5/8</sup> "	511576	
2 LT Ceiling Mount (5" x 9 <sup>1/2</sup> "	511568	
2 LT Ceiling Mount (5 <sup>7/8</sup> " x 13 <sup>1/4</sup> "	511550	
3 LT Chandelier	511543	
5 LT Chandelier	511535	
Pendant	511626	
Mini Pendant	511634	

Type:

Job:

Order Code:

Approvals:

Design House reserves the right to make changes in materials, specifications & models at any time. Design House also reserves the right to discontinue product without notice or obligation.