

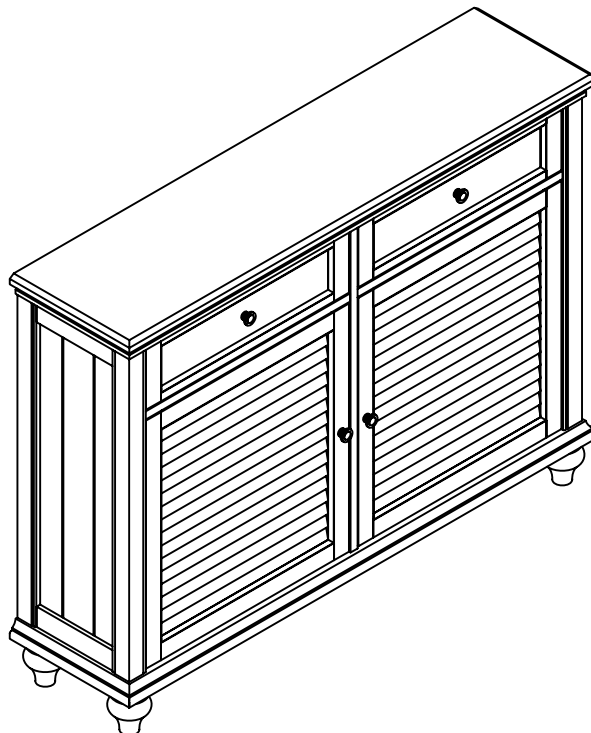
HOME DECORATORS COLLECTION

1002960569 1002960568
1002960637 1002960636

SK19032R2 HAMILTON CONSOLE TABLE 35"Hx47"Wx12"D

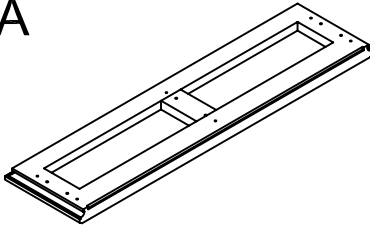
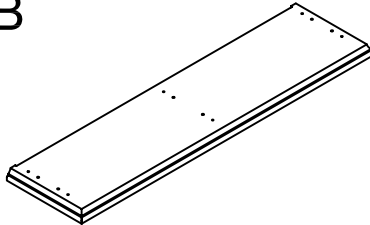
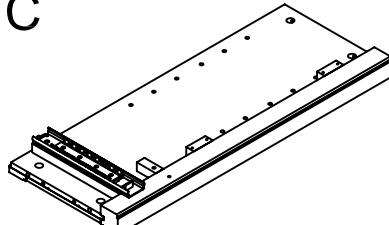
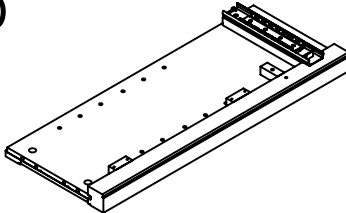
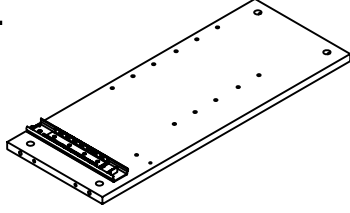
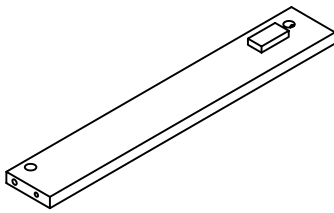
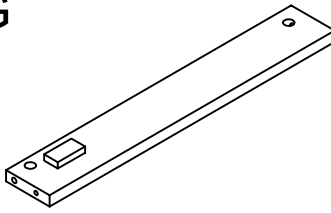
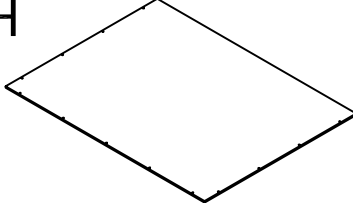
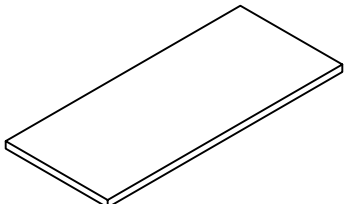
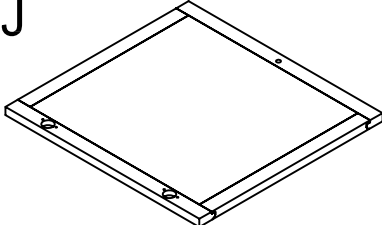
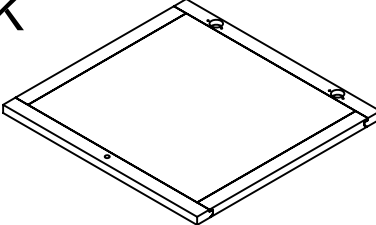
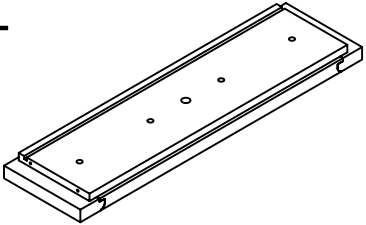
ASSEMBLY INSTRUCTIONS

Made In China

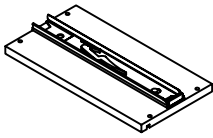


Thank you for purchasing this quality product. Be sure to check all packing material carefully for small parts, which may have come loose inside the carton during shipment. Count all parts and material hardware, then compare with parts list to be sure all parts are present. If any parts are missing or damaged, please contact our Customer Service Department for efficient and speedy service. Please indicate the model number and code letter of part(s) needed.

IMPORTANT NOTE: Follow instructions listed below in proper sequence as numbered to assure fast, easy and correct assembly.

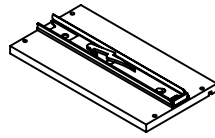
PARTS LIST		
A 	B 	C 
TOP PANEL -1PC	BOTTOM PANEL -1PC	LEFT SIDE PANEL -1PC
D 	E 	F 
RIGHT SIDE PANEL -1PC	PARTITION -1PC	LEFT CROSS BRACE -1PC
G 	H 	I 
RIGHT CROSS BRACE -1PC	BACK PANEL -2PCS	ADJUSTABLE SHELF -4PCS
J 	K 	L 
LEFT DOOR -1PC	RIGHT DOOR -1PC	DRAWER FRONT PANEL -2PCS

M



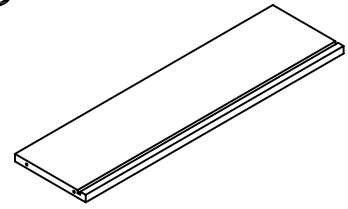
DRAWER LEFT SIDE PANEL
-2PCS

N



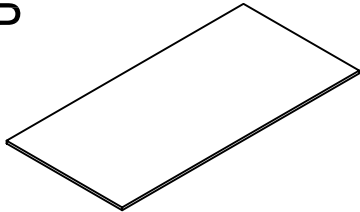
DRAWER RIGHT SIDE PANEL
-2PCS

O



DRAWER BACK PANEL -2PCS

P



DRAWER BOTTOM PANEL
-2PCS

Q



BALL FOOT -4PCS

R



MIDDLE FOOT -1PC

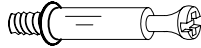
NOTE:THE SURFACE WITH THE STICKER IS THE BACK SIDE

a



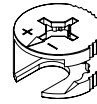
WOOD DOWEL-16PCS

b



CAM
LOCK BOLT-16PCS

c



CAM LOCK-16PCS

d



SHORT
PLASTIC COVER-4PCS

e



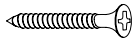
KNOB-4PCS

f



KNOB BOLT-4PCS

g



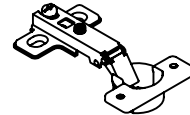
1" FLAT
HEAD SCREW-16PCS

h



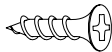
SHELF PIN-16PCS

i



HINGE-4PCS

j



5/8" FLAT
HEAD SCREW-16PCS

k



5/8"L ROUND
HEAD SCREW-30PCS

l

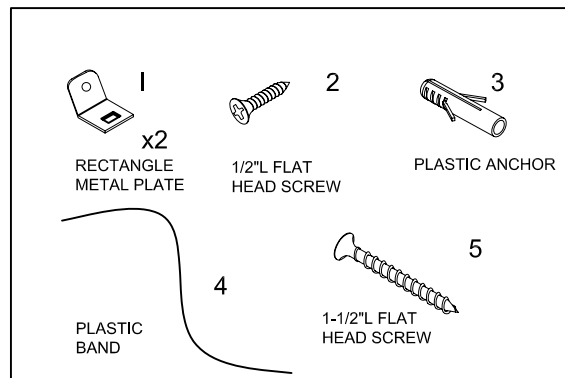


METAL PLATE-4PCS

m



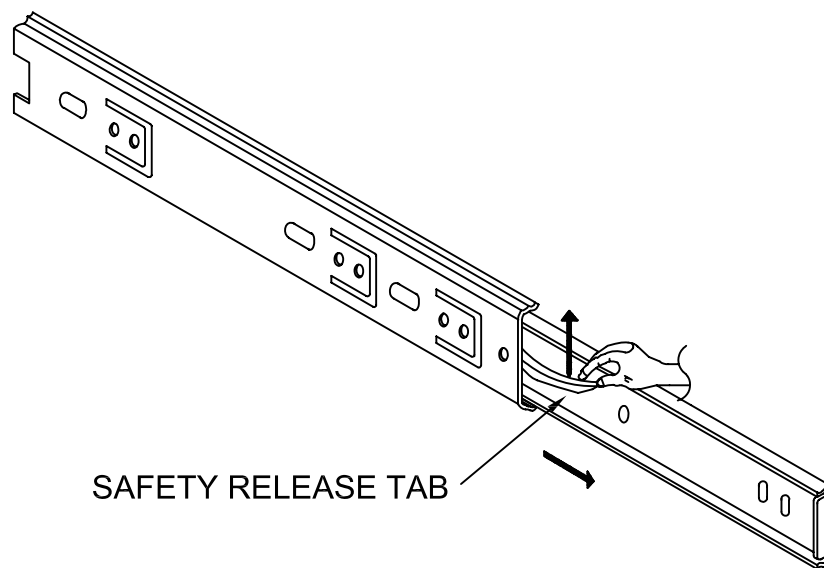
LONG
PLASTIC COVER-2PCS



ANTI-TIPPING HARDWARE PACKAGE

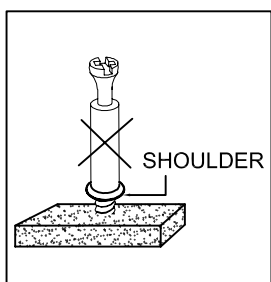
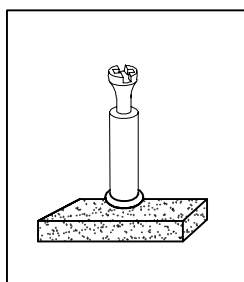
NOTE:THE SURFACE WITH THE STICKER IS THE BACK SIDE

HOW TO SEPARATE GLIDES



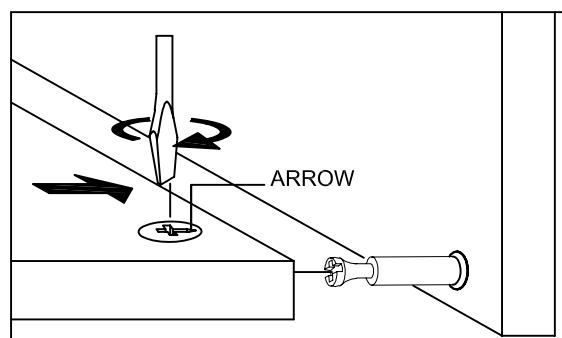
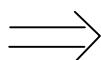
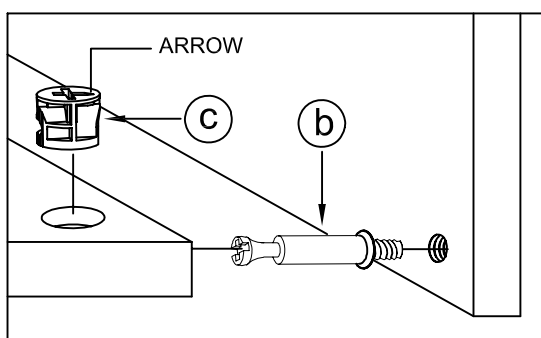
PRIOR TO ASSEMBLY, WE SUGGEST SEPARATING THE INNER GLIDES FROM THE OUTER-GLIDES, SIMPLY PULL THE LEFT/RIGHT INNER GLIDES FROM THE OUTER GLIDES EXPOSING A SMALL BLACK SAFETY RELEASE TAB, BY PUSHING THE SAFETY RELEASE TAB. YOU WILL BE ABLE TO SEPARATE THE GLIDES.

NOTE: • UPON OPENING, THOROUGHLY CLEAN ALL WOOD SURFACES TO REMOVE DUST AND DIRT THAT MAY HAVE SETTLED ONTO THE FINISH DURING SHIPMENT. IN ORDER TO PREVENT DAMAGE DURING ASSEMBLY. PLEASE ASSEMBLE THIS ITEM WITH AT LEAST TWO PEOPLE.



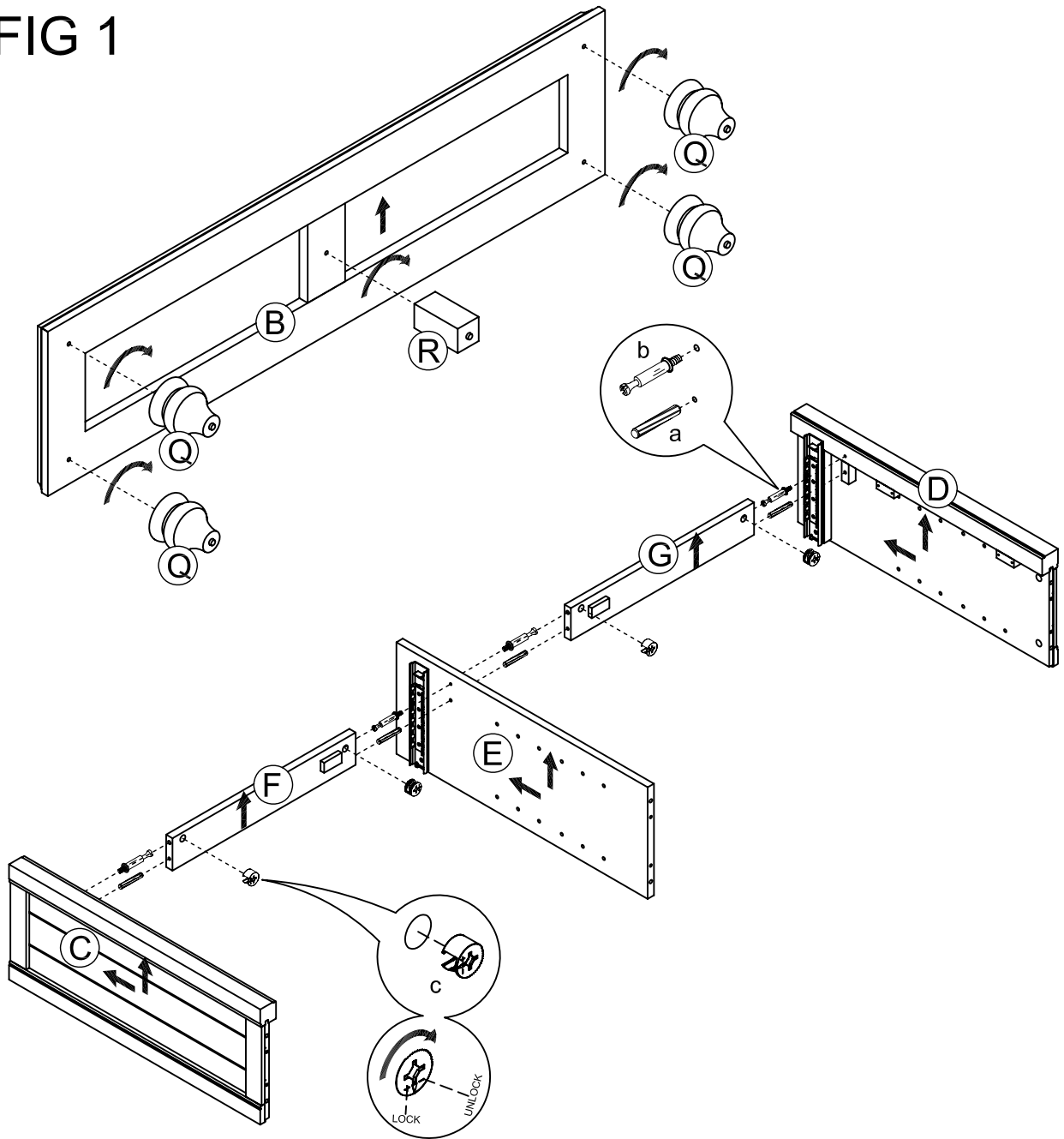
NOTE: TURN THE CAM-BOLT SCREWS UNTIL THEY ARE TIGHT, THE SHOULDER SHOULD BE AGAINST THE SURFACE OF THE PART.

HOW TO USE THE CAM-TOOL



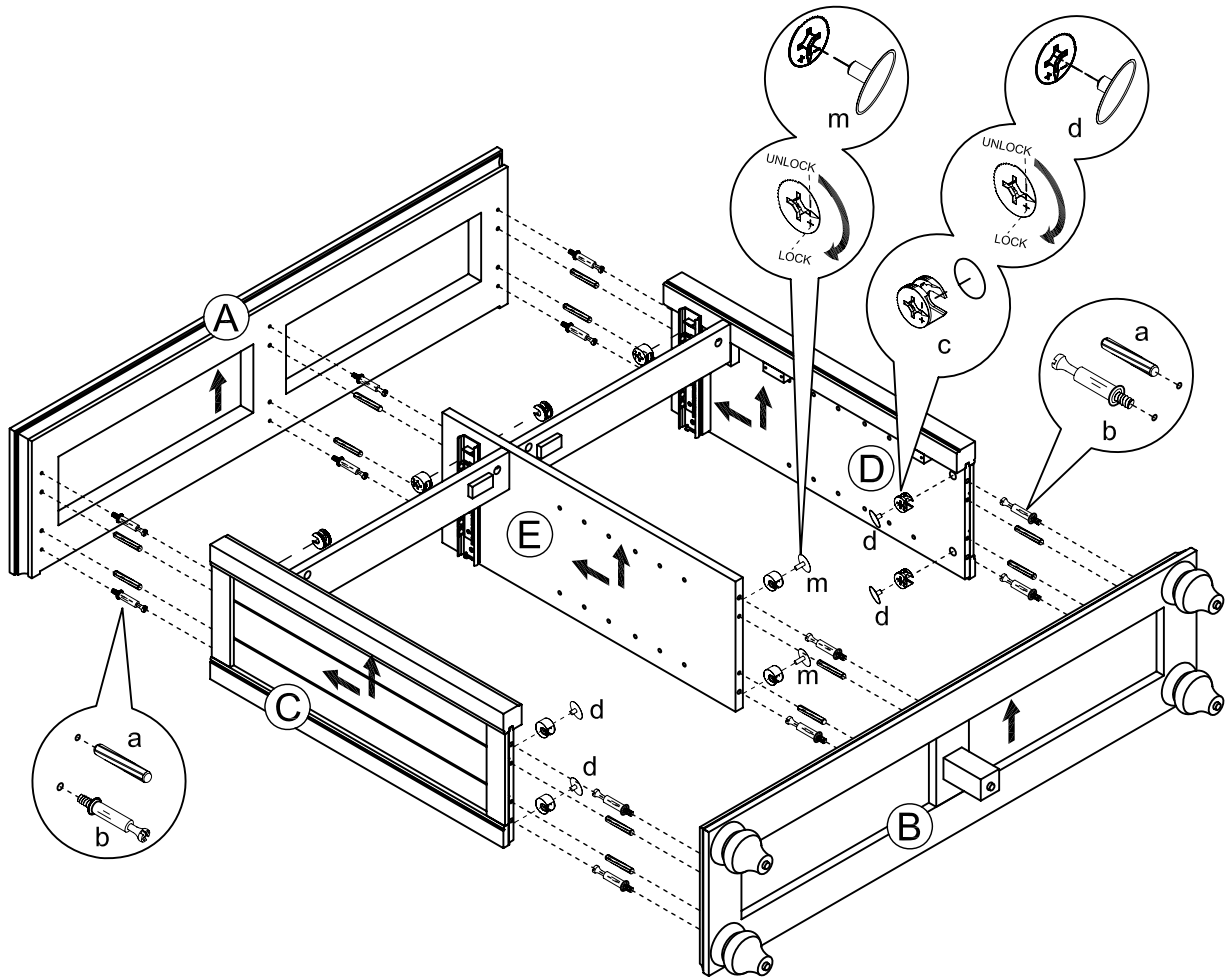
NOTE: • THE ARROWS ON THE HIDDEN CAM-LOCKS SHOULD POINT TO THE CAM-BOLTS.

FIG 1



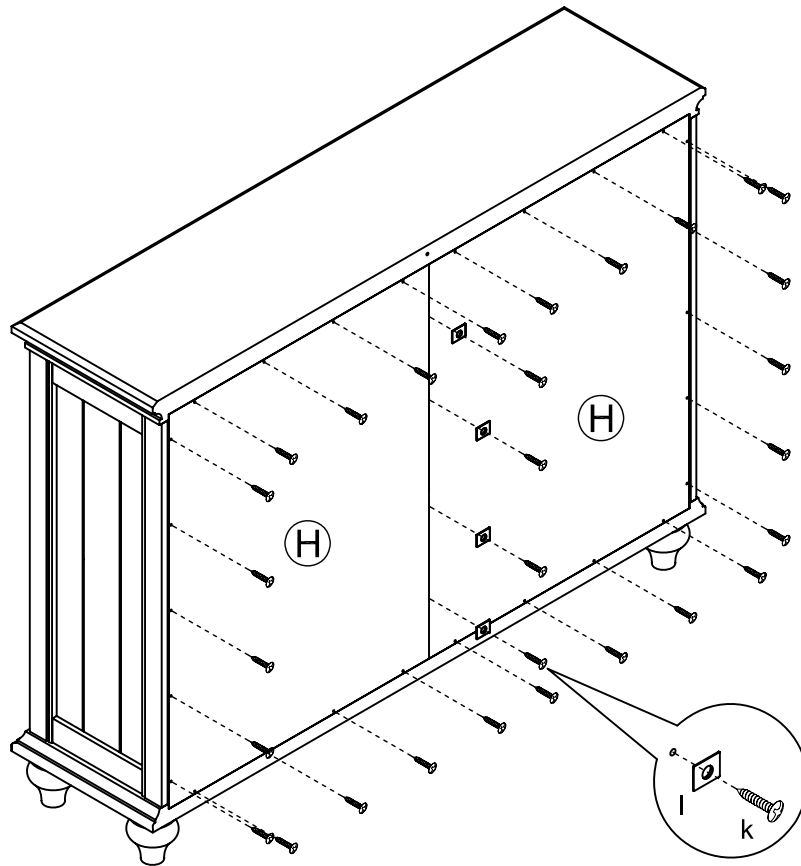
- TIGHTEN THE BALL FOOT (Q) AND THE MIDDLE FOOT (R) TO THE BOTTOM PANEL (B) AS SHOWN .
- INSTALL THE WOOD DOWEL (a) AND THE CAM LOCK BOLT (b) INTO THE LEFT SIDE PANEL (C) , THE RIGHT SIDE PANEL (D) AND THE PARTITION (E).
- JOIN THE LEFT CROSS BRACE (F) AND THE RIGHT CROSS BRACE(G) TO THE LEFT SIDE PANEL (C), THE PARTITION (E) AND THE RIGHT SIDE PANEL (D) BY USING WOOD DOWEL (a) FIRST.
- TIGHTEN THE CAM LOCK BOLT (b) BY USING THE CAM LOCK (c) IN PRE-DRILLED HOLES.

FIG 2



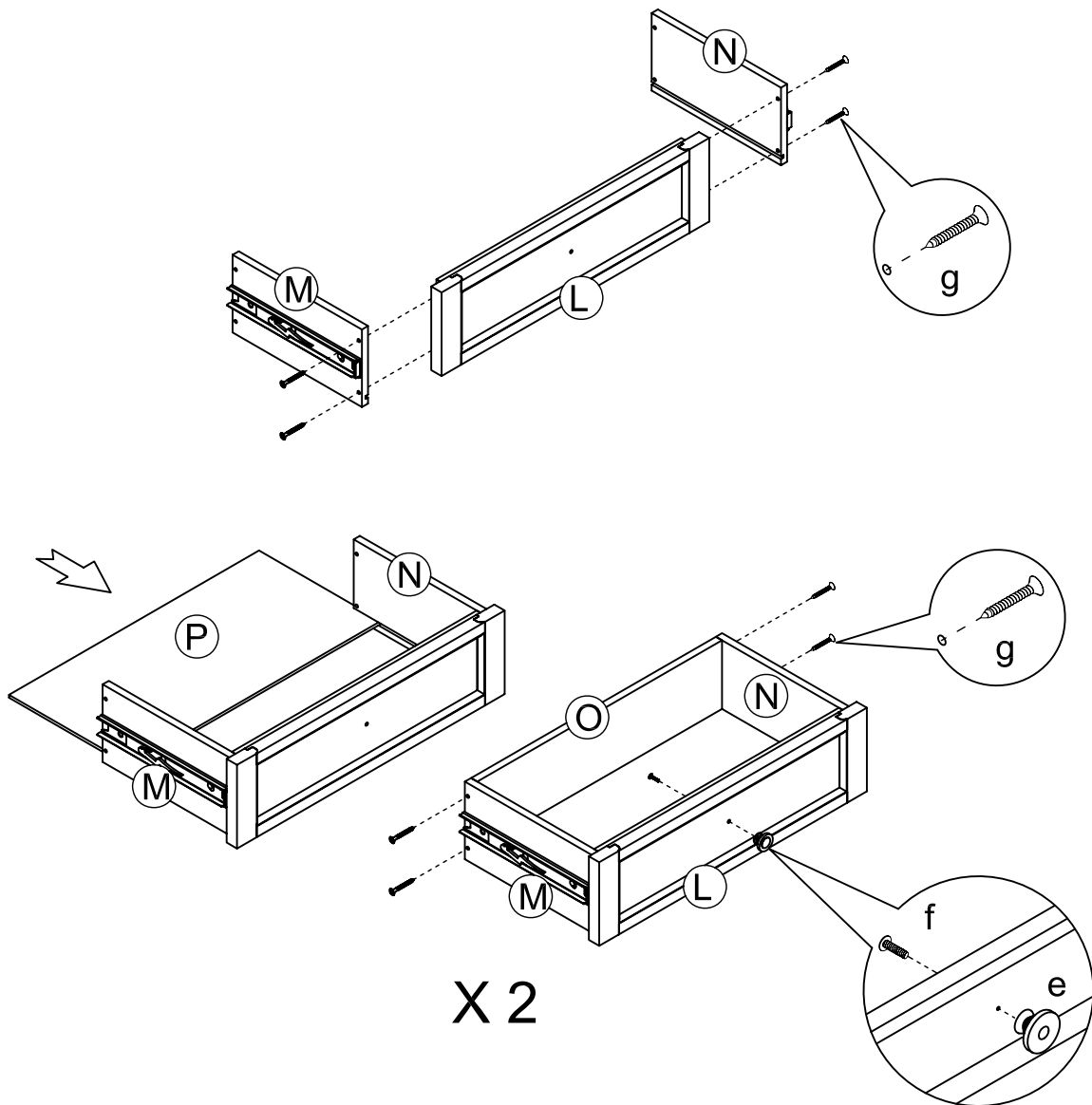
- INSTALL THE WOOD DOWEL (a) AND THE CAM LOCK BOLT (b) INTO THE TOP PANEL (A) AND THE BOTTOM PANEL (B).
- JOIN THE TOP PANEL (A) AND THE BOTTOM PANEL (B) TO THE ASSEMBLED PART BY USING WOOD DOWEL (a) FIRST.
- TIGHTEN THE CAM LOCK BOLT (b) BY USING THE CAM LOCK (c) IN PRE-DRILLED HOLES.
- COVER THE CAM HOLES WITH SHORT PLASTIC COVER (d) AND THE LONG PLASTIC COVER (m).

FIG 3



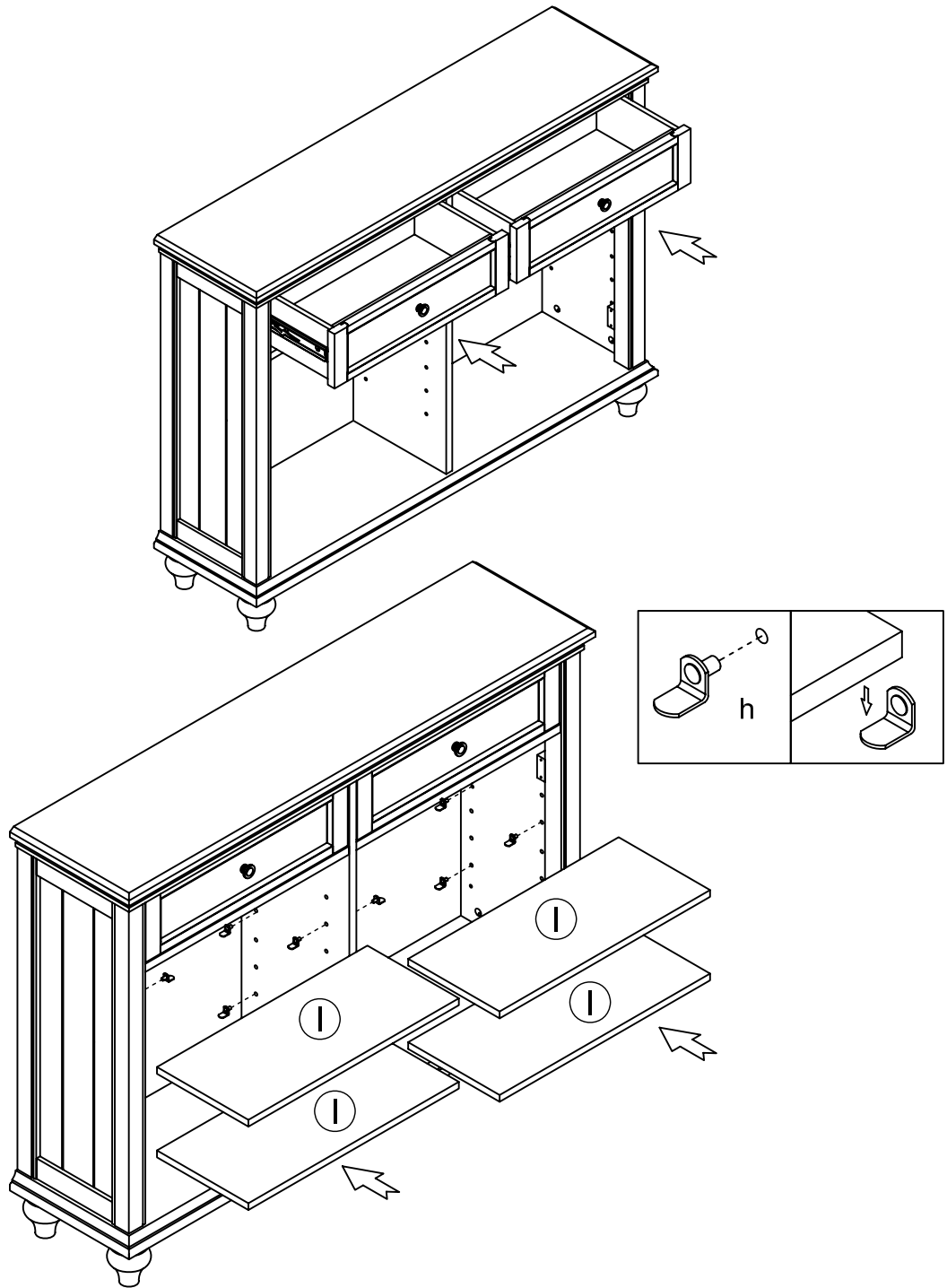
- TIGHTEN THE BACK PANEL (H) BY USING THE 5/8" L ROND HEAD SCREW (k) AND THE METAL PLATE (I) AS SHOWN.

FIG 4



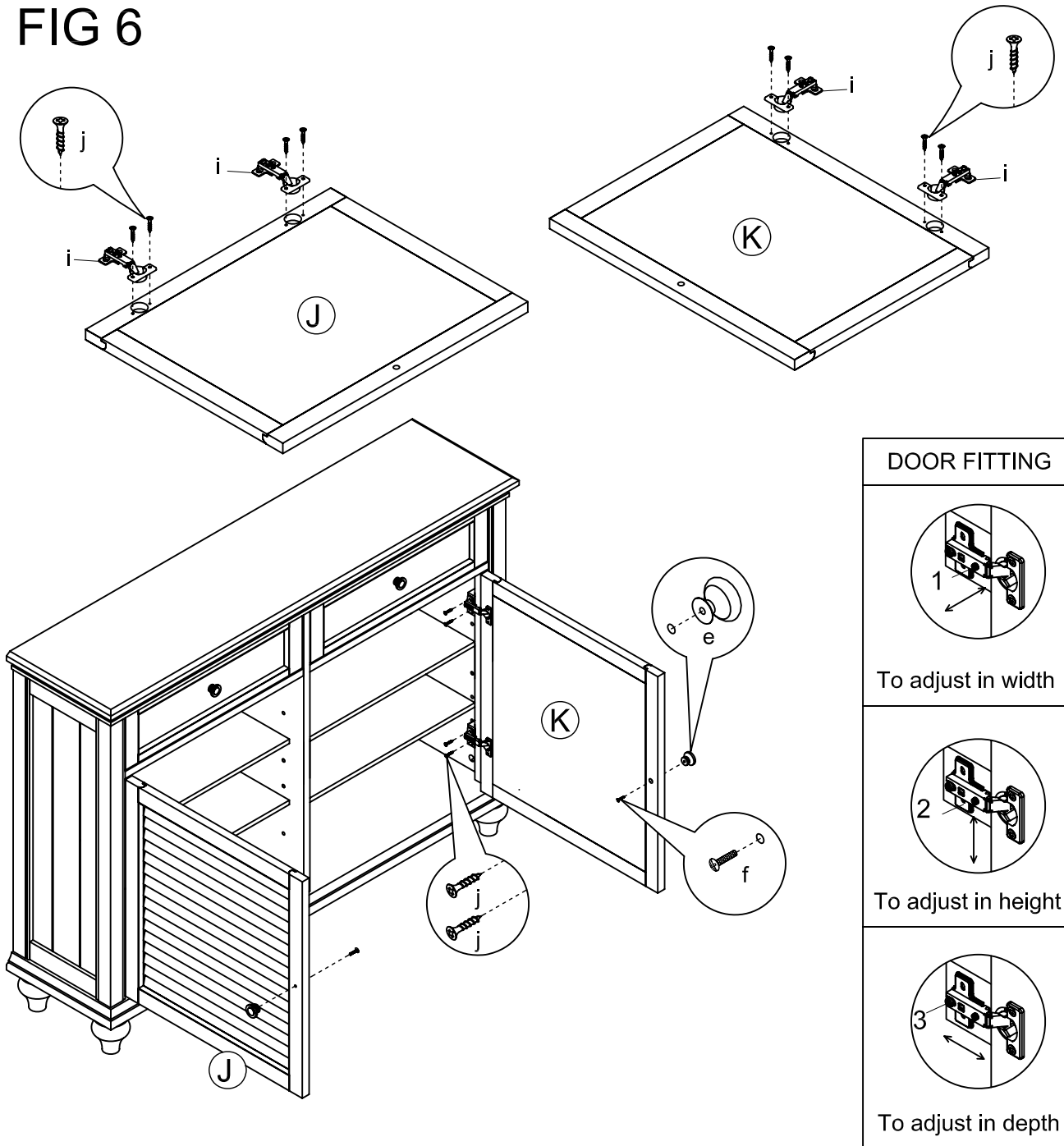
- TIGHTEN THE DRAWER LEFT SIDE PANEL (M) AND THE DRAWER RIGHT SIDE PANEL (N) TO THE DRAWER FRONT PANEL (L) BY USING THE 1" FLAT HEAD SCREW (g).
- SLIDE THE DRAWER BOTTOM PANEL (P) INTO THE GROOVES ON THE DRAWER LEFT SIDE PANEL (M) AND THE DRAWER RIGHT SIDE PANEL (N).
- TIGHTEN THE DRAWER BACK PANEL (O) TO THE ASSEMBLED PART BY USING THE 1" FLAT HEAD SCREW (g).
- TIGHTEN THE KNOB (e) TO THE DRAWER FRONT PANEL (L) BY USING THE KNOB BOLT (f).

FIG 5



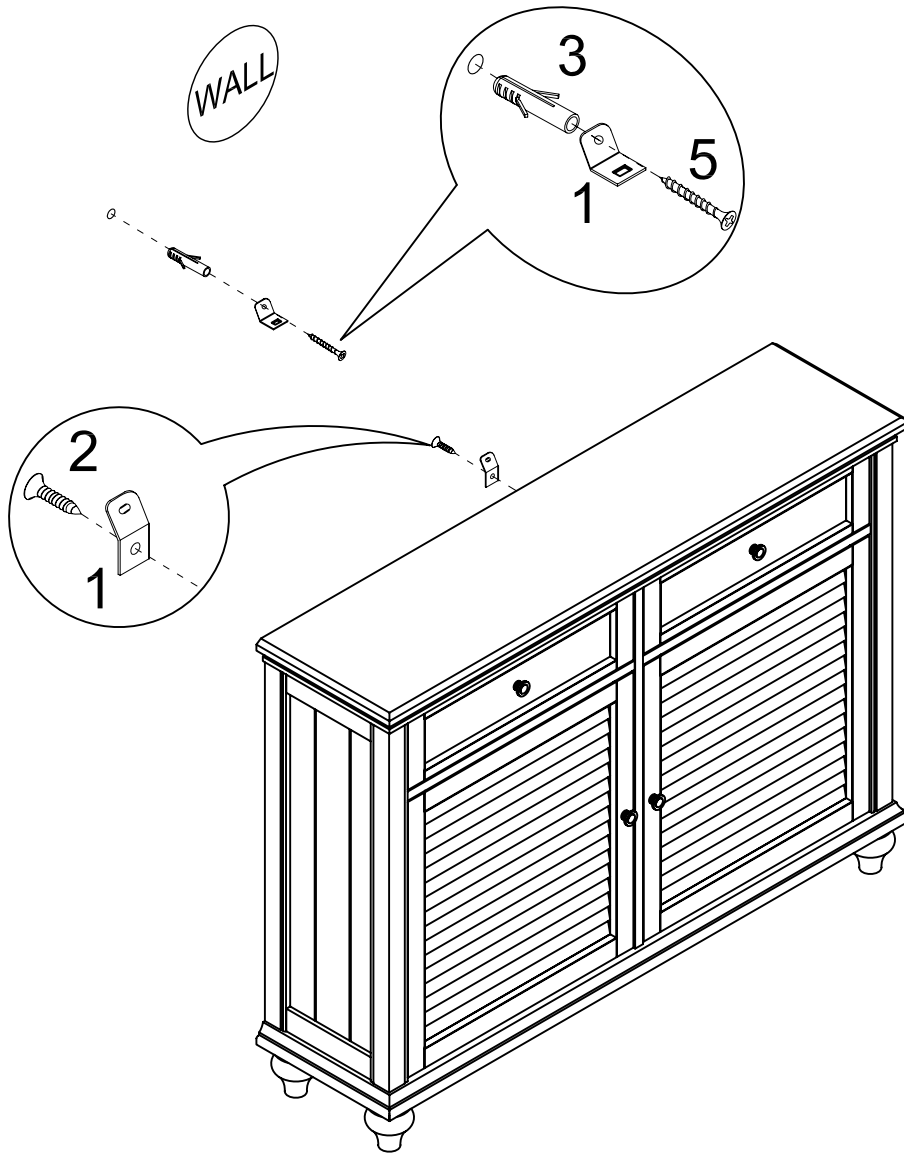
- INSERT THE ASSEMBLED DRAWERS INTO THE ASSEMBLED PART AS SHOWN.
- INSERT THE SHELF PIN (h) IN THE DESIRED POSITION AND THEN PLACE THE ADJUSTABLE SHELF (l) ON THE PINS.

FIG 6



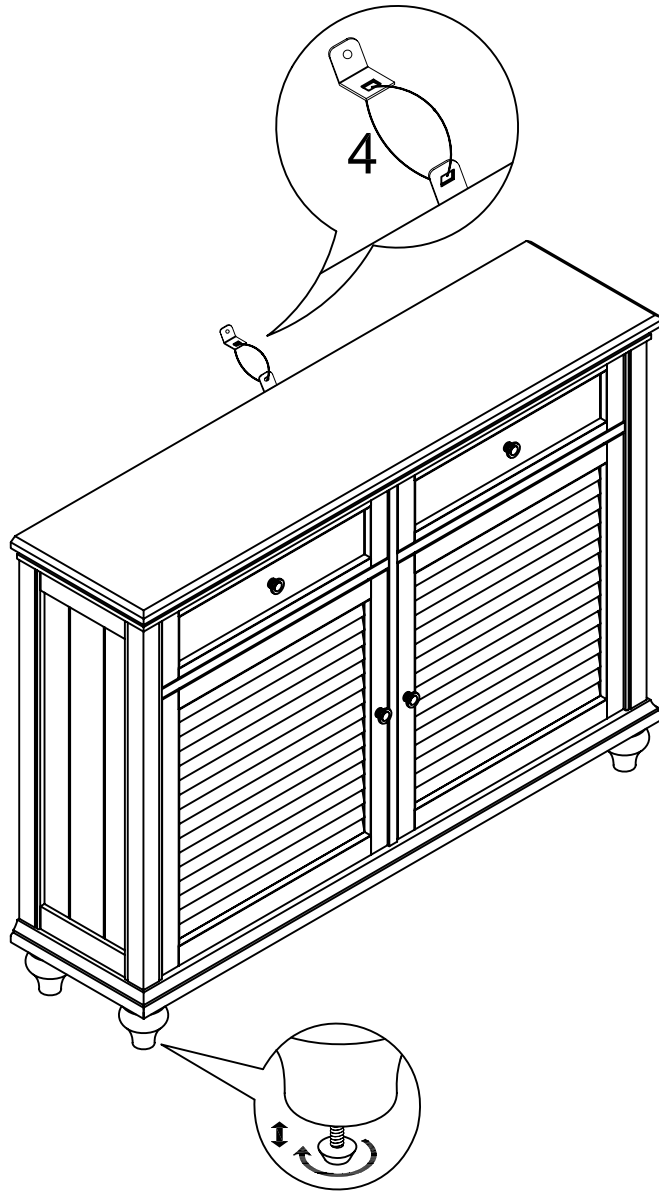
- ATTACH THE HINGE (i) TO THE LEFT DOOR (J) AND THE RIGHT DOOR (K) BY USING THE 5/8" FLAT HEAD SCREW (j).
- ATTACH THE LEFT DOOR (J) AND THE RIGHT DOOR (K) TO THE ASSEMBLED PART BY USING THE 5/8" FLAT HEAD SCREW (j) AS SHOWN.
- TIGHTEN THE KNOB (e) TO THE LEFT DOOR (J) AND THE RIGHT DOOR (K) BY USING THE KNOB BOLT (f).

FIG 7



- TIGHTEN THE RECTANGLE METAL PLATE (1) TO THE REAR OF THE TOP PANEL (A) BY USING 1/2" FLAT HEAD SCREW (2).
- PLACE THE ASSEMBLED HAMILTON CONSOLE TABLE AT THE DESIRED POSITION. MARK THE INSERTION POINTS FOR THE PLASTIC ANCHOR (3).
- USING THE PROPER HARDWARE FOR YOUR WALL TYPE, DRILL 1/4" HOLES INTO THE WALL.
- TIGHTEN THE RECTANGLE METAL PLATE (1) TO THE PLASTIC ANCHOR (3) BY USING THE 1-1/2" FLAT HEAD SCREW (5).

FIG 8



- USING THE PLASTIC BAND (4) CONNECT TWO RECTANGLE METAL PLATES (1).