

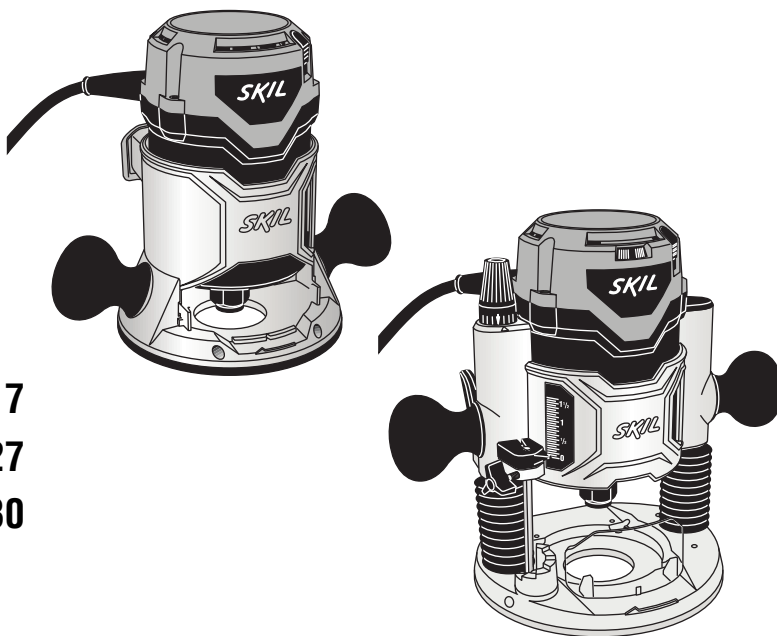
IMPORTANT:
Read Before Using

IMPORTANT :
Lire avant usage

IMPORTANTE:
Leer antes de usar



Operating/Safety Instructions
Consignes de fonctionnement/sécurité
Instrucciones de funcionamiento y seguridad



1817
1827
1830

SKIL[®]

**Call Toll Free for
Consumer Information
& Service Locations**

**Pour obtenir des informations
et les adresses de nos centres
de service après-vente,
appelez ce numéro gratuit**

**Llame gratis para
obtener información
para el consumidor y
ubicaciones de servicio**

1-877-SKIL999 (1-877-754-5999) www.skil.com

**For English Version
See page 2**

**Version française
Voir page 19**

**Versión en español
Ver la página 36**



General Power Tool Safety Warnings

⚠ WARNING Read all safety warnings and all instructions. Failure to follow the warnings and instructions may result in electric shock, fire and/or serious injury.

SAVE ALL WARNINGS AND INSTRUCTIONS FOR FUTURE REFERENCE

The term “power tool” in the warnings refers to your mains-operated (corded) power tool or battery-operated (cordless) power tool.

Work area safety

Keep work area clean and well lit. Cluttered or dark areas invite accidents.

Do not operate power tools in explosive atmospheres, such as in the presence of flammable liquids, gases or dust. Power tools create sparks which may ignite the dust or fumes.

Keep children and bystanders away while operating a power tool. Distractions can cause you to lose control.

Electrical safety

Power tool plugs must match the outlet. Never modify the plug in any way. Do not use any adapter plugs with earthed (grounded) power tools. Unmodified plugs and matching outlets will reduce risk of electric shock.

Avoid body contact with earthed or grounded surfaces such as pipes, radiators, ranges and refrigerators. There is an increased risk of electric shock if your body is earthed or grounded.

Do not expose power tools to rain or wet conditions. Water entering a power tool will increase the risk of electric shock.

Do not abuse the cord. Never use the cord for carrying, pulling or unplugging the power tool. Keep cord away from heat, oil, sharp edges or moving parts. Damaged or entangled cords increase the risk of electric shock.

When operating a power tool outdoors, use an extension cord suitable for outdoor use. Use of a cord suitable for outdoor use reduces the risk of electric shock.

If operating the power tool in damp locations is unavoidable, use a Ground Fault Circuit Interrupter (GFCI) protected supply. Use of an GFCI reduces the risk of electric shock.

Personal safety

Stay alert, watch what you are doing and use common sense when operating a

power tool. Do not use a power tool while you are tired or under the influence of drugs, alcohol or medication. A moment of inattention while operating power tools may result in serious personal injury.

Use personal protective equipment. Always wear eye protection. Protective equipment such as dust mask, non-skid safety shoes, hard hat, or hearing protection used for appropriate conditions will reduce personal injuries.

Prevent unintentional starting. Ensure the switch is in the off-position before connecting to power source and / or battery pack, picking up or carrying the tool. Carrying power tools with your finger on the switch or energizing power tools that have the switch on invites accidents.

Remove any adjusting key or wrench before turning the power tool on. A wrench or a key left attached to a rotating part of the power tool may result in personal injury.

Do not overreach. Keep proper footing and balance at all times. This enables better control of the power tool in unexpected situations.

Dress properly. Do not wear loose clothing or jewelry. Keep your hair, clothing and gloves away from moving parts. Loose clothes, jewelry or long hair can be caught in moving parts.

If devices are provided for the connection of dust extraction and collection facilities, ensure these are connected and properly used. Use of dust collection can reduce dust-related hazards.

Power tool use and care

Do not force the power tool. Use the correct power tool for your application. The correct power tool will do the job better and safer at the rate for which it was designed.

Do not use the power tool if the switch does not turn it on and off. Any power tool that cannot be controlled with the switch is dangerous and must be repaired.





Disconnect the plug from the power source and/or the battery pack from the power tool before making any adjustments, changing accessories, or storing power tools. Such preventive safety measures reduce the risk of starting the power tool accidentally.

Store idle power tools out of the reach of children and do not allow persons unfamiliar with the power tool or these instructions to operate the power tool. Power tools are dangerous in the hands of untrained users.

Maintain power tools. Check for misalignment or binding of moving parts, breakage of parts and any other condition that may affect the power tool's operation. If damaged, have the power tool repaired before use. Many accidents are caused by poorly maintained power tools.

Keep cutting tools sharp and clean. Properly maintained cutting tools with sharp cutting edges are less likely to bind and are easier to control.

Use the power tool, accessories and tool bits etc. in accordance with these instructions, taking into account the working conditions and the work to be performed. Use of the power tool for operations different from those intended could result in a hazardous situation.

Service

Have your power tool serviced by a qualified repair person using only identical replacement parts. This will ensure that the safety of the power tool is maintained.

Safety Rules for Routers

Hold power tool by insulated gripping surfaces when performing an operation where the cutting tool may contact hidden wiring or its own cord. Contact with a "live" wire will make exposed metal parts of the tool "live" and shock the operator.

Use clamps or another practical way to secure and support the workpiece to a stable platform. Holding the work by hand or against your body leaves it unstable and may lead to loss of control.

Always make sure the work surface is free from nails and other foreign objects. Cutting into a nail can cause the bit and the tool to jump and damage the bit.

Never hold the workpiece in one hand and the tool in the other hand when in use. Never place hands near or below cutting surface. Clamping the material and guiding the tool with both hands is safer.

Never lay workpiece on top of hard surfaces, like concrete, stone, etc... Protruding cutting bit may cause tool to jump.

Always wear safety goggles and dust mask. Use only in well ventilated area. Using personal safety devices and working in safe environment reduces risk of injury.

After changing the bits or making any adjustments, make sure the collet nut and any other adjustment devices are securely tightened. Loose adjustment device can unexpectedly shift, causing loss of control, loose rotating components will be violently thrown.

Never start the tool when the bit is engaged in the material. The bit cutting edge may grab the material causing loss of control of the cutter.

Always hold the tool with two hands during start-up. The reaction torque of the motor can cause the tool to twist.

The direction of feeding the bit into the material is very important and it relates to the direction of bit rotation. When viewing the tool from the top, the bit rotates clockwise. Feed direction of cutting must be counter-clockwise. NOTE: inside and outside cuts will require different feed direction, refer to section on feeding the router. Feeding the tool in the wrong direction, causes the cutting edge of the bit to climb out of the work and pull the tool in the direction of this feed.

Never use dull or damaged bits. Sharp bits must be handled with care. Damaged



bits can snap during use. Dull bits require more force to push the tool, possibly causing the bit to break.

Never touch the bit during or immediately after the use. After use the bit is too hot to be touched by bare hands.

Never lay the tool down until the motor has come to a complete standstill. The spinning bit can grab the surface and pull the tool out of your control.

Never use bits that have a cutting diameter greater than the opening in the base.

Additional Safety Warnings

GFCI and personal protection devices like electrician's rubber gloves and footwear will further enhance your personal safety.

Do not use AC only rated tools with a DC power supply. While the tool may appear to work, the electrical components of the AC rated tool are likely to fail and create a hazard to the operator.

Keep handles dry, clean and free from oil and grease. Slippery hands cannot safely control the power tool.

Develop a periodic maintenance schedule for your tool. When cleaning a tool be careful not to disassemble any portion of the tool since internal wires may be misplaced or pinched or safety guard return springs may be improperly mounted. Certain cleaning agents such as gasoline, carbon tetrachloride, ammonia, etc. may damage plastic parts.

Risk of injury to user. The power cord must only be serviced by a Skil Factory Service Center or Authorized Skil Service Station.




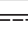








⚠ WARNING Some dust created by power sanding, sawing, grinding, drilling, and other construction activities contains chemicals known to cause cancer, birth defects or other reproductive harm. Some examples of these chemicals are:

- Lead from lead-based paints,
- Crystalline silica from bricks and cement and other masonry products, and
- Arsenic and chromium from chemically-treated lumber.

Your risk from these exposures varies, depending on how often you do this type of work. To reduce your exposure to these chemicals: work in a well ventilated area, and work with approved safety equipment, such as those dust masks that are specially designed to filter out microscopic particles.

Symbols

IMPORTANT: Some of the following symbols may be used on your tool. Please study them and learn their meaning. Proper interpretation of these symbols will allow you to operate the tool better and safer.

Symbol	Name	Designation/Explanation
V	Volts	Voltage (potential)
A	Amperes	Current
Hz	Hertz	Frequency (cycles per second)
W	Watt	Power
kg	Kilograms	Weight
min	Minutes	Time
s	Seconds	Time
\varnothing	Diameter	Size of drill bits, grinding wheels, etc.
n_0	No load speed	Rotational speed, at no load
n	Rated speed	Maximum attainable speed
.../min	Revolutions or reciprocation per minute	Revolutions, strokes, surface speed, orbits etc. per minute
0	Off position	Zero speed, zero torque...
1, 2, 3, ... I, II, III,	Selector settings	Speed, torque or position settings. Higher number means greater speed
	Infinately variable selector with off	Speed is increasing from 0 setting
	Arrow	Action in the direction of arrow
	Alternating current	Type or a characteristic of current
	Direct current	Type or a characteristic of current
	Alternating or direct current	Type or a characteristic of current
	Class II construction	Designates Double Insulated Construction tools.
	Earthing terminal	Grounding terminal
	Warning symbol	Alerts user to warning messages
	Li-ion RBRC seal	Designates Li-ion battery recycling program
	Ni-Cad RBRC seal	Designates Ni-Cad battery recycling program
	Read manual symbol	Alerts user to read manual
	Wear eye protection symbol	Alerts user to wear eye protection



Symbols (continued)

IMPORTANT: Some of the following symbols may be used on your tool. Please study them and learn their meaning. Proper interpretation of these symbols will allow you to operate the tool better and safer.



This symbol designates that this tool is listed by Underwriters Laboratories.



This symbol designates that this tool is recognized by Underwriters Laboratories.



This symbol designates that this tool is listed by Underwriters Laboratories, to United States and Canadian Standards.



This symbol designates that this tool is listed by the Canadian Standards Association.



This symbol designates that this tool is listed by the Canadian Standards Association, to United States and Canadian Standards.



This symbol designates that this tool is listed by the Intertek Testing Services, to United States and Canadian Standards.



This symbol designates that this tool complies to NOM Mexican Standards.

Conforms to

UL Standard 60745-1

UL Standard 60745-2-17

Certified to

CAN/CSA Standard C22.2 No. 60745-1

CAN/CSA Standard C22.2 No. 60745-2-17



Functional Description and Specifications

⚠ WARNING Disconnect the plug from the power source before making any assembly, adjustments or changing accessories. Such preventive safety measures reduce the risk of starting the tool accidentally.

Fix Base Router

FIG. 1

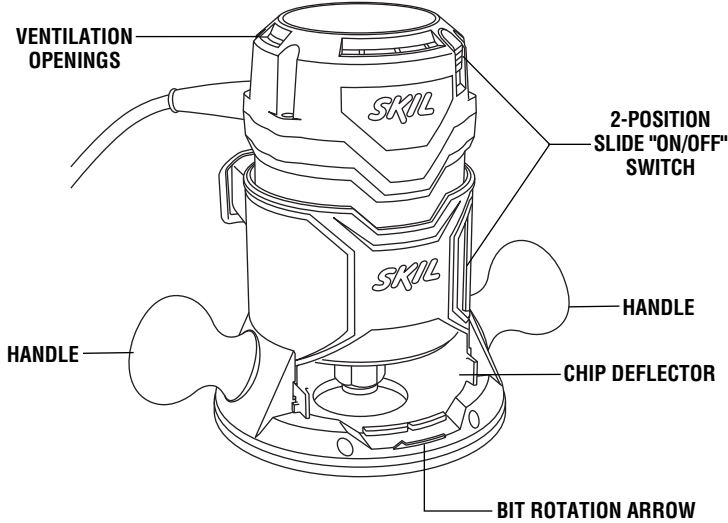
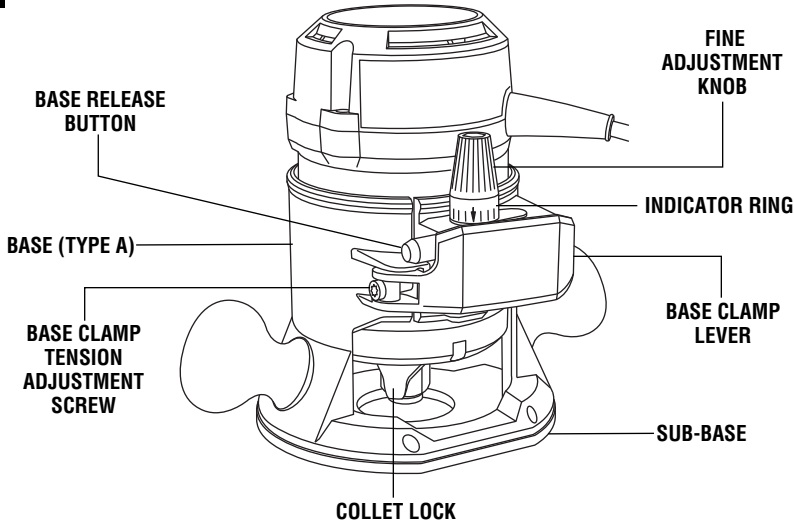
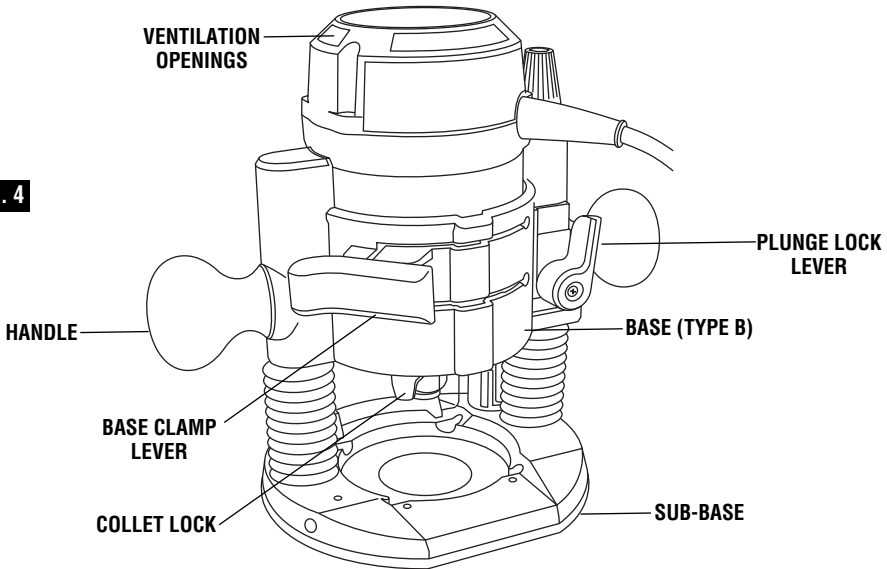
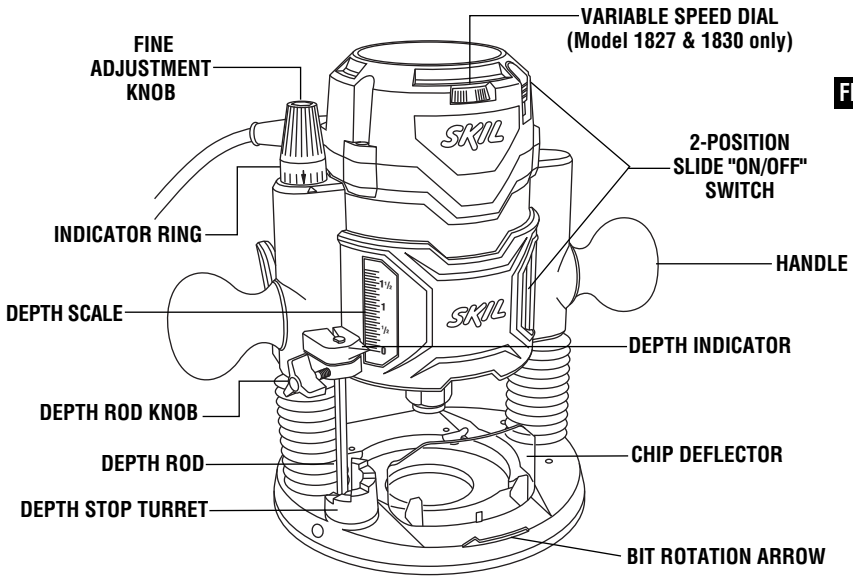


FIG. 2



Plunge Base Router



Model number	1817	1827	1830
Voltage rating	120V ~ 60Hz	120V ~ 60Hz	120V ~ 60Hz
Amperage rating	9.5A	10A	10A
No load speed	n_0 25,000/min	n_0 10,500-25,000/min	n_0 10,500-25,000/min
Collet capacities	1/4", 1/2"	1/4", 1/2"	1/4", 1/2"

On models 1817, 1827 & 1830 router motor unit must be used with either fixed base type A, or plunge base Type B.

Assembly

A wide assortment of router bits with different profiles is available separately.

⚠ WARNING To prevent personal injury, always remove the plug from power source before removing or installing bits or accessories.

INSTALLING A ROUTER BIT

Place router upside down with the top of the router resting on the bench. Another option is to remove the motor from the base before installing the bit.

1. Remove the chip shield.
2. Press collet lock to stop rotation of armature shaft. **NOTE:** it may be necessary to rotate collet chuck assembly to engage collet lock (Fig. 5).
3. Next, use the collet wrench to loosen the collet nut in counter-clockwise direction (viewed from under the router).
4. Insert the shank of the router bit into the collet chuck assembly as far as it will go, then back the shank out until the cutters are approximately 1/8" to 1/4" away from the collet nut face.
5. With the router bit inserted and the collet lock holding the armature shaft, use the

collet wrench to firmly tighten the collet nut in a clockwise direction (viewed from under the router). To ensure proper gripping of the router bit, the shank of the router bit must be inserted at least 5/8" into collet.

⚠ WARNING When the templet guide has been removed from base, do not use router bits greater than 2" in diameter as they will not fit through the sub-base.

⚠ CAUTION To prevent damage to tool, do not tighten collet nut without a bit.

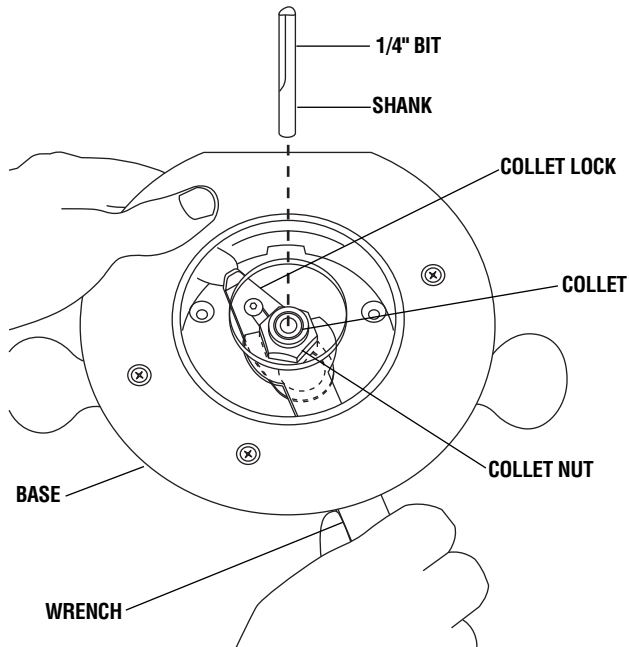
NOTE: The router bit shank and collet chuck should be clean and free of dust, wood, residue and grease before assembling.

REMOVING THE ROUTER BIT

1. Press collet lock to stop rotation of armature shaft and turn the collet chuck assembly in a counter-clockwise direction.
2. Once the collet chuck assembly is loosened continue to turn the collet chuck assembly until it pulls the collet free from its taper, and the router bit can be removed.

NOTE: The collet chuck is self-extracting; it is NOT necessary to strike the collet chuck to free the router bit.

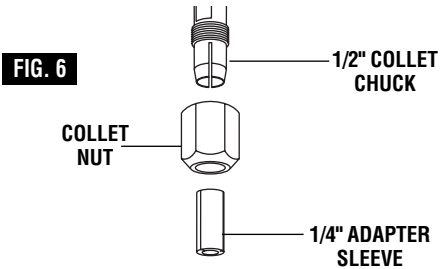
FIG. 5



COLLET CHUCK CARE

All router models are designed to accept 1/2" and 1/4" shank bits. 1/4" shank bits require a 1/4" adapter sleeve. With the router bit removed, continue to turn the collet nut counter-clockwise until it is loose. To assure a firm grip, occasionally blow out the collet chuck and clean with a tissue or fine brush. The collet chuck assembly is made up of two component parts as illustrated (Fig. 6); check to see that the adapter sleeve, if needed, is properly seated in the collet nut and lightly thread the collet nut back onto the 1/2" collet chuck. Replace a worn or damaged collet chuck assembly immediately.

COLLET CHUCK ASSEMBLY



REMOVING MOTOR FROM BASE

To remove motor from fixed base:

1. Hold router in vertical position.
2. Open base clamp lever.
3. Push base release button in direction of arrow and pull motor unit upwards from base. Just before the motor is completely out of the base, it will stop moving.
4. Depress the collet lock to fully disengage the motor unit from the base (Fig. 7).

To remove motor from plunge base:

1. Hold router in vertical position.
2. Open base clamp lever, and pull motor unit upwards from base. Just before the motor is completely out of the base, it will stop moving.
3. Depress the collet lock to fully disengage the motor unit from the base (Fig. 8).

INSTALLING MOTOR INTO BASE

To install motor into fixed base:

1. Release the base clamp lever.
2. Depress collet lock on motor unit.
3. Align the fine adjust rack with the fine adjust knob.
4. Depress base release button and slide motor unit until the top of fine adjust rack is level with the top of base.
5. Lock the base clamp lever.

To install motor into plunge base:

1. Release the base clamp lever.
2. Depress collet lock on motor unit.
3. Align the fine adjust rack with the slot on the back of the plunge base.
4. Slide motor unit into base until fully seated.
5. Lock the base clamp lever.

FIG. 7

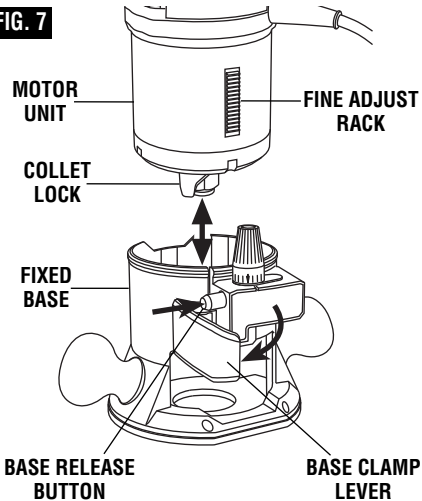
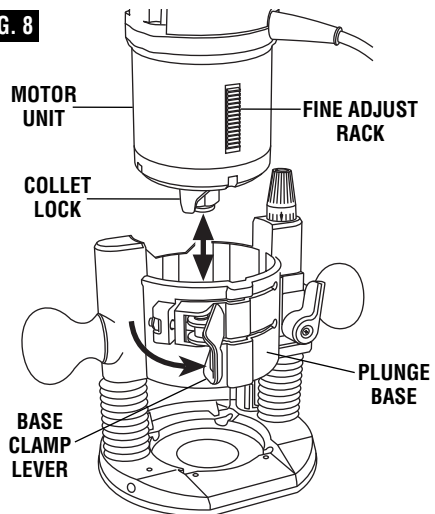


FIG. 8

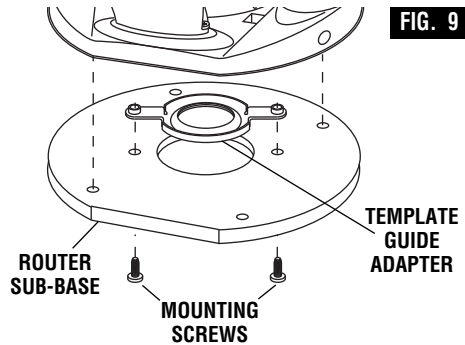


INSTALLING TEMPLATE GUIDE ADAPTER

(Not included, available as accessory)

Place template guide adapter over the holes in the center of the sub-base, align the two threaded holes in the bottom of adapter with the countersunk holes in sub-base. Fasten adapter with the screws provided (Fig. 9).

To ensure proper alignment of the template guide to the armature shaft, a centering cone (optional accessory) should be used.



CHIP DEFLECTOR

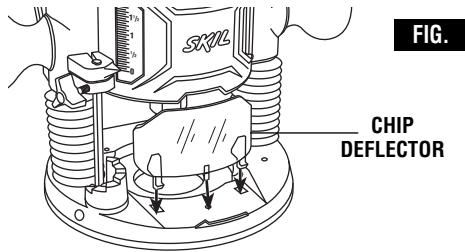
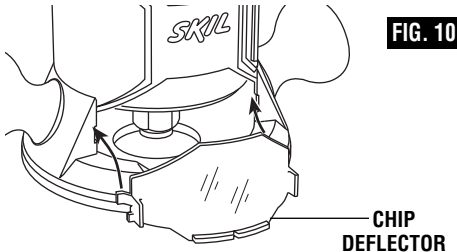
⚠ WARNING Always wear eye protection. The chip deflector is not intended as a safety guard.

The chip deflectors help keep dust and chips out of your face, it will not stop objects larger than dust thrown from the bit.

To remove chip shield from the fixed base, press inward on deflector tabs until it releases

from base and remove. To attach, place deflector into position as shown in (Fig. 10). Then press inward of deflector tabs while pushing until it snaps into place.

To remove chip shield from the plunge base, press inward on either side of the deflector until it releases from base and remove. To attach, place deflector into position as shown in (Fig. 10a). Then press inward of deflector either side while pushing until it snaps into place.



Operating Instructions

Skil routers are designed for speed, accuracy and convenience in performing cabinet work, routing, fluting, beading, cove-cutting, dove tails, etc. They will enable you to accomplish inlay work, decorative edges and many types of special carving.

DEPTH ADJUSTMENT WITH FIXED BASE FINE ADJUSTMENT KNOB

The fine adjustment knob allows precise bit height adjustments on your router.

To use the fine adjustment feature, release the base clamp lever, and turn the knob clockwise to lower, or counterclockwise to raise the bit (Fig. 2).

(Note that one full turn of the knob will raise or lower the bit approximately 1/16" of an inch.) After making depth adjustments, re-clamp the motor.

NOTE: All depth adjustments must be made with the base clamp lever released.

DEEP CUTS

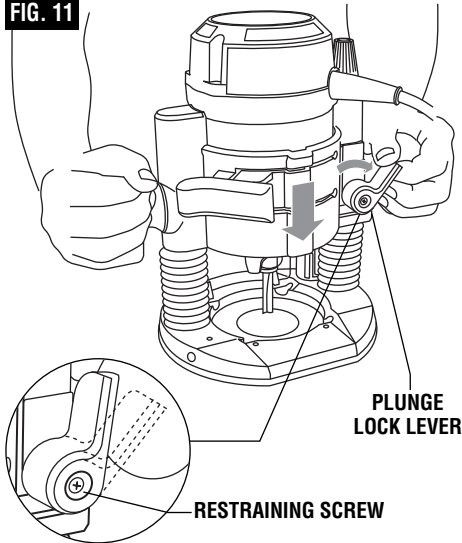
For deeper cuts, make several progressively deeper cuts by starting at one depth and then make several subsequent passes, increasing the cutting depth with each pass.

To be certain that your depth settings are as desired, you may want to make test cuts in scrap material before beginning work.

DEPTH ADJUSTMENT WITH PLUNGE BASE PLUNGING ACTION

The plunge feature simplifies depth adjustments and will allow the cutting bit to easily and accurately enter the workpiece. To lower, loosen plunge lock lever (Fig. 11), and apply downward pressure until you reach desired depth, then tighten plunge lock lever. Loosen lever and release pressure and the router will automatically retract the bit from the workpiece. It is advisable to retract the bit whenever it is not engaged in workpiece.

FIG. 11



ADJUSTING THE PLUNGE LOCK LEVER

You can adjust or reposition the plunge lock lever for comfort, or to compensate for wear.

1. With the plunge lock lever in the locked position (upright position), remove (counter clockwise) the retaining screw located in the middle of the lever.
2. Move lever to desired location, replace the restraining screw and washer and tighten (clockwise).

DEPTH ROD AND TURRET

The depth rod and depth stop turret are used to control cutting depth as follows:

1. With the bit installed, gently lower the motor until the tip of the router bit just contacts the level surface the router is sitting on. This is the "zero" position, from which further depth adjustments can be accurately made.
2. To set a desired depth of cut, rotate the depth stop turret until the lowest step is aligned with the depth rod. Loosen the depth indicator knob and lower the depth rod unit it

contacts the lowest step of the turret. Slide the depth indicator until the line indicator points to zero on the depth scale, indicating the point at which the bit just contacts the work (Fig. 12).

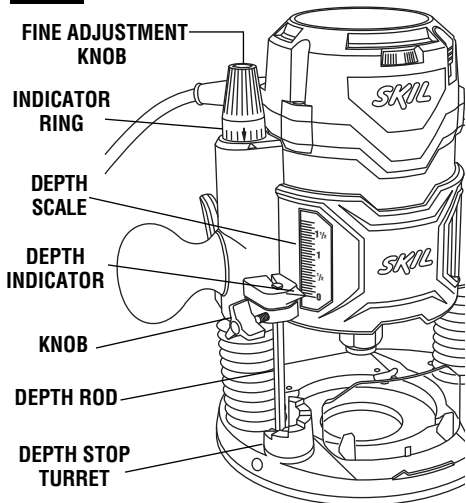
3. To set a desired cutting depth, slide the depth rod up until the depth indicator point attains the desired cutting depth, and secure the rod in position by firmly tightening the depth indicator knob.
4. The desired depth of cut may now be achieved by plunging the router until the depth rod contacts the selected stop on the turret.

DEEP CUTS

For deeper cuts, make several progressively deeper cuts by starting with the highest step on the depth turret, and after each cut, rotate the depth turret to progressively lower steps as desired, until the final depth (lowest step or flat) is reached. Steps progress by 1/8" increments.

To be certain that your depth settings are as desired, you may want to make test cuts in scrap material before beginning work.

FIG. 12



DEPTH ADJUSTMENT WITH PLUNGE BASE FINE ADJUSTMENT KNOB

The fine depth adjustment knob allows precise bit height adjustments on your router.

To use the fine adjustment feature, turn the knob clockwise to lower, or counterclockwise to raise the bit.

(Note that one full turn of the knob will raise or lower the bit approximately 1/16" of an inch.)

2-POSITION SLIDE "ON/OFF" SWITCH

The tool can be switched "ON" by the 2-position slide switch located on the upper and lower right side of the motor (Fig. 1).

TO TURN THE TOOL "ON", slide either the upper or lower switch UP to the I position.

TO TURN THE TOOL "OFF", slide either the upper or lower switch downward to the O position.

Always hold the router off the work when turning the switch on or off. Contact the work with the router only after the router has reached desired speed, and remove it from the work before turning the switch off. Operating in this manner will prolong switch and motor life and will greatly increase the quality of your work.

Always hold the tool with both hands while starting the tool, since torque from the motor can cause the tool to twist.

SOFT START FEATURE (Included on all models)

Electronic feedback control minimizes torque twist customary in larger routers by limiting the speed at which motor starts.

ELECTRONIC VARIABLE SPEED CONTROL (Models 1827 & 1830 only)

The electronic speed control feature allows motor speed to be matched to cutter size and material hardness for improved finish, extended bit life, and higher performance. Speed changes are achieved by rotating the dial on or between any one of the six numbers (Fig. 3). Speed may be changed while tool is on. The reference numbers on the dial facilitate re-setting control to desired speed.

The speed chart indicates the relationship between settings and application, exact settings are determined by operator experience and preference. The bit manufacturer may also have a speed recommendation.

DIAL SETTING	RPM	APPLICATION
1	10,500	Nonferrous metals, larger diameter bits, and cutters
2	13,500	
3	16,500	
4	20,000	Softwoods, plastics, counter tops, smaller diameter bits, and cutters
5	22,500	
6	25,000	

SITE-LIGHT™

Your tool is also equipped with a Site-Light™ for better visibility during operation.

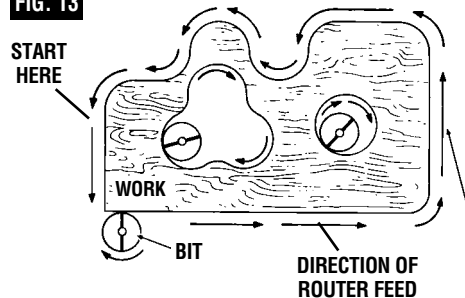
When the tool is plugged in, the lights will turn on automatically.

The Site-Light™ is maintenance free and was designed to last the life of your tool.

FEEDING THE ROUTER

As seen from the top of the router, the bit turns clockwise and the cutting edges face accordingly. Therefore, the most efficient cut is made by feeding the router so that the bit turns into the work, not away. Figure 13 shows proper feed for various cuts. How fast you feed depends on the hardness of the material and the size of the cut. For some materials, it is best to make several cuts of increasing depth.

FIG. 13



If the router is hard to control, heats up, runs very slowly or leaves an imperfect cut, consider these causes:

1. Wrong direction of feed — hard to control.
2. Feeding too fast — overloads motor.
3. Dull bit — overloads motor.
4. Cut is too large for one pass — overloads motor.
5. Feeding too slow — leaves friction burns on work.

Feed smoothly and steadily (do not force). You will soon learn how the router sounds and feels when it is working best.

RATE OF FEED

When routing or doing related work in wood and plastics, the best finishes will result if the depth of cut and feed rate are regulated to keep the motor operating at high speed. Feed the router at a moderate rate. Soft materials require a faster feed rate than hard materials.

The router may stall if improperly used or overloaded. Reduce the feed rate to prevent possible damage to the tool.

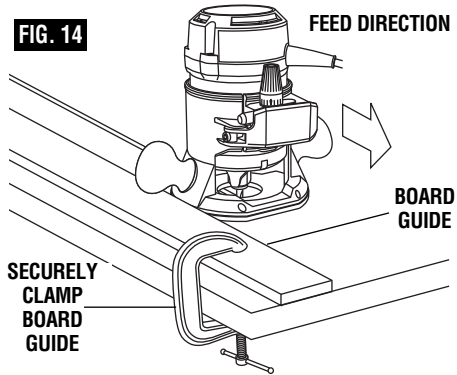
Always be sure the collet nut is tightened securely before use.

Always use router bits with the shortest cutting length necessary to produce the desired cut. This will minimize router bit run-out and chatter.

GUIDING THE ROUTER

The router can be guided through the work in any of several ways. The method you use depends, of course, on the demands of the particular job and on convenience.

For routing operations such as grooving or dadoing, it is often necessary to guide the tool in a line parallel to a straight edge. One method of obtaining a straight cut is to securely clamp a board or other straightedge to the work surface, and guide the edge of the router sub-base along this path (Fig. 14).



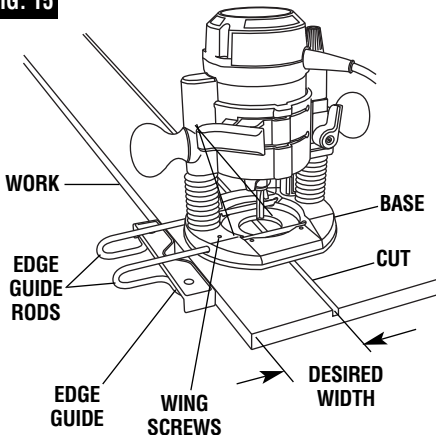
STRAIGHT AND CIRCULAR EDGE GUIDE (Not included, available as accessory)

Use this handy accessory for ease and accuracy in making curved and straight cuts.

ATTACHING GUIDE

Insert edge guide rods through holes in base, slide edge guide to desired width as shown in (Fig. 15), and secure in place by tightening the screw at the bottom of the router.

FIG. 15



One method of locating the guide is to mark the center of groove to be cut, set the router flat on the work with the bit just touching and aligned over the center of groove. Bring the guide to the edge of the work, and securely tighten screws. Whenever in doubt about dimensions, make a trial cut on scrap material. For guiding along a circular edge, the notch in the center of the edge guide will contact the material at the two points shown (Fig. 16).

FIG. 16

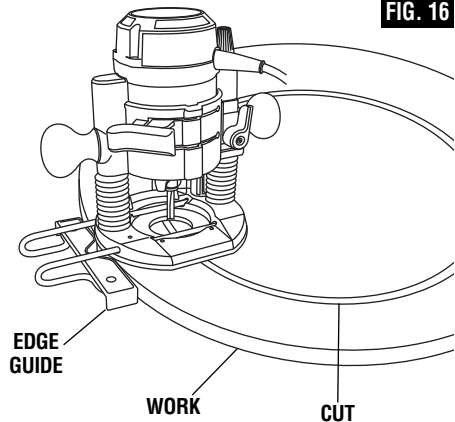


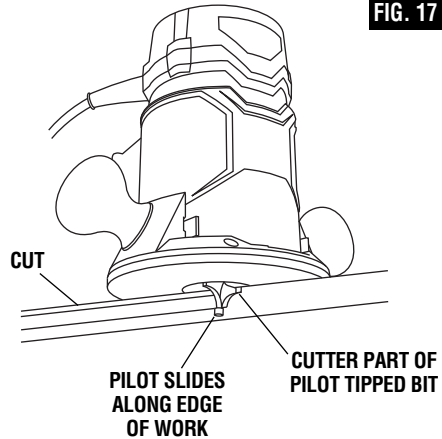


FIG. 17

PILOT TIPPED AND BEARING GUIDE BITS

The lower portion of a pilot tipped bit, as shown in (Fig. 17), is a shaft with no cutting edges. Bearing guide bits have a ball bearing to pilot the bit.

This pilot slides along the edge of the work as the rotating blades make the cut, forming molding or decorative edges. The edge on which the pilot slides should be perfectly smooth since any irregularities are transferred to the shaped surface.



TEMPLATES

Using template patterns lets you duplicate designs or letters uniformly time after time. This technique requires the use of an template guide adapter and a template guide.

TEMPLATE GUIDES

(Not included, available as accessory)

The template guide shown in (Fig. 18), is essentially a plate with a collar which is inserted through the hole in sub-base and template guide adapter from below and fastened with a knurled retaining nut. The template guide rides along the edge of the template while the router bit, protruding below, cuts into the work.

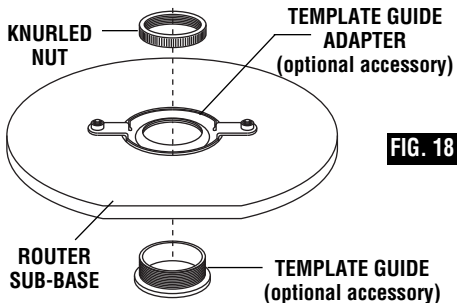


FIG. 18

ATTENTION: Be sure the thickness of the template is the same or larger than the guide surface of the collar.

Do not use a bit that may touch the inside of the collar. Select a bit that is about 1/16" less in diameter than the template guide adapter opening.

Template guides are used with a number of special accessories, such as hinge templates. In addition, special templates are easily prepared for cutting repeated patterns, special designs, inlays, and other applications. A template pattern may be made of plywood, hardboard, metal or even plastic, and the design can be cut with a router, jigsaw, or other suitable cutting tool.

Remember that the pattern will have to be made to compensate for the distance between the router bit and the template guide (the "offset"), as the final workpiece will differ in size from the template pattern by that amount, due to the bit position (Fig. 19).

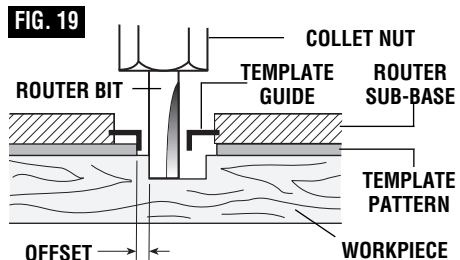


FIG. 19



ROUTER DUST COLLECTION

There are two optional dust extraction hood accessories. Each dust extraction hood is sized to accept 35mm vacuum hoses. Each accessory pack includes an adapter that will connect the hood to 1-1/4" and 1-1/2" vacuum hoses.

⚠ WARNING Read and understand these instructions and tool manual for use of these accessories.

Do not reach in area of the bit while the router is ON or plugged in.

⚠ CAUTION To avoid entangling hoses, do not use this dust extraction hood at the same time as any other dust extraction hood.

FIXED BASE DUST EXTRACTION (Not included, available as accessory)

This dust extraction hood is designed for use with the fixed base when routing is done in the middle of the workpiece, such as when

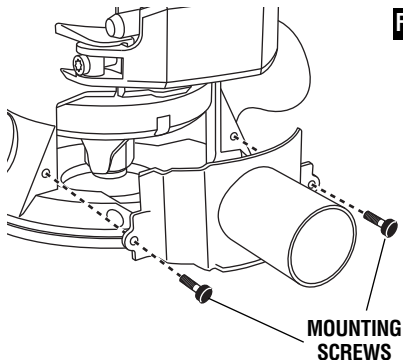


FIG. 20

creating slots or routing patterns for inlays. If you have a shop vacuum system, you can attach the dust extraction hood for improved visibility, accuracy and utility, particularly in freehand routing.

To attach, position as shown and secure adapter to base with the mounting screws provided (Fig. 20).

PLUNGE BASE DUST EXTRACTION (Not included, available as accessory)

This dust extraction hood is designed for use in the plunge base when routing is done in the middle of the workpiece, such as when creating slots or routing patterns for inlays. If you have a shop vacuum system, you can attach the dust extraction hood for improved visibility, accuracy and utility, particularly in freehand routing.

To attach, position as shown and secure adapter to base with the mounting screws provided (Fig. 21).

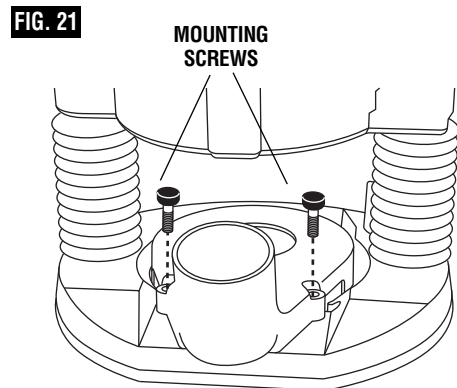


FIG. 21

Maintenance

Service

⚠ WARNING Preventive maintenance performed by unauthorized personnel may result in misplacing of internal wires and components which could cause serious hazard. We recommend that all tool service be performed by a Skil Factory Service Center or Authorized Skil Service Station.

TOOL LUBRICATION

Your Skil tool has been properly lubricated and is ready to use. It is recommended that tools with gears be regreased with a special gear lubricant at every brush change.

CARBON BRUSHES

The brushes and commutator in your tool have been engineered for many hours of dependable service. To maintain peak efficiency of the motor, we recommend every two to six months the brushes be examined. Only genuine Skil replacement brushes specially designed for your tool should be used.

BEARINGS

After about 300-400 hours of operation, or at every second brush change, the bearings should be replaced at Skil Factory Service Center or Authorized Skil Service Station. Bearings which become noisy (due to heavy

load or very abrasive material cutting) should be replaced at once to avoid overheating or motor failure.

Cleaning

⚠ WARNING To avoid accidents always disconnect the tool from the power supply before cleaning or performing any maintenance. The tool may be cleaned most effectively with compressed dry air. **Always wear safety goggles when cleaning tools with compressed air.**

Ventilation openings and switch levers must be kept clean and free of foreign matter. Do not attempt to clean by inserting pointed objects through openings.

⚠ CAUTION Certain cleaning agents and solvents damage plastic parts. Some of these are: gasoline, carbon tetrachloride, chlorinated cleaning solvents, ammonia and household detergents that contain ammonia.

Extension Cords

⚠ WARNING If an extension cord is necessary, a cord with adequate size conductors that is capable of carrying the current necessary for your tool must be used. This will prevent excessive voltage drop, loss of power or overheating. Grounded tools must use 3-wire extension cords that have 3-prong plugs and receptacles.

NOTE: The smaller the gauge number, the heavier the cord.

RECOMMENDED SIZES OF EXTENSION CORDS 120 VOLT ALTERNATING CURRENT TOOLS

Tool's Ampere Rating	Cord Size in A.W.G.				Wire Sizes in mm ²			
	Cord Length in Feet				Cord Length in Meters			
	25	50	100	150	15	30	60	120
3-6	18	16	16	14	0.75	0.75	1.5	2.5
6-8	18	16	14	12	0.75	1.0	2.5	4.0
8-10	18	16	14	12	0.75	1.0	2.5	4.0
10-12	16	16	14	12	1.0	2.5	4.0	—
12-16	14	12	—	—	—	—	—	—

Accessories

- * 1/2" Collet Chuck
- * Collet nut wrench
- * 1/4" Adapter Sleeve
- * Canvas Carrying Bag (models 1827 & 1830 only)
- ** Edge Guide

- ** Dust Extraction Hoods
- ** Template Guides
- ** Template Guide Adapter

(* = standard equipment)
(** = optional accessories)



Trouble Shooting

⚠ WARNING

Read instruction manual first! Remove plug from the power source before making adjustments or assembling accessories.

- TROUBLE: TOOL WILL NOT START**
- PROBLEM**
1. Power cord is not plugged in.
 2. Power source fuse or circuit breaker tripped.
 3. Cord damaged.
 4. Burned out switch.
- REMEDY**
1. Plug tool into power source.
 2. Replace fuse or reset tripped circuit breaker. (If the product repeatedly causes the circuit or fuse to trip/blow, discontinue use immediately and have it serviced by an Authorized Skil Service Center or Service Station.)
 3. Inspect cord for damage. If damaged, have cord replaced by an Authorized Skil Service Center or Service Station.
 4. Have switch replaced by an Authorized Skil Service Center or Service Station.
- TROUBLE: TOOL DOES NOT COME UP TO SPEED**
- PROBLEM**
1. Extension cord has insufficient gauge or is too long.
 2. If equipped with variable speed, tool may not set at maximum RPM.
 3. Low house voltage.
- REMEDY**
1. Replace with adequate extension cord (Page 17).
 2. If equipped with variable speed, check speed setting.
 3. Contact your electric company.
- TROUBLE: ACCESSORY BINDS, STALLS MOTOR, OR KICKS BACK WHEN ROUTING**
- PROBLEM**
1. Bit is not properly set into collet.
 2. Bit is damaged or dull.
 3. Cut is too aggressive for one pass.
 4. Incorrect router speed for application
 5. Router is being fed in the wrong direction or at an improper rate.
- REMEDY**
1. See "Installing a Router Bit" section of this manual (page 9).
 2. Discard and replace with new accessory.
 3. Adjust bit depth to proper setting as referenced in the "Operations" section of this manual (pages 11-12), or as recommended by accessory manufacturer.
 4. See router speed chart for application recommendations (page 13)
 5. See "Feeding the Router" section of this manual for feeding tips (page 13)





Avertissements généraux concernant la sécurité des outils électroportatifs

A AVERTISSEMENT

Veillez lire tous les avertissements et toutes les consignes de sécurité. Si l'on n'observe pas ces avertissements et ces consignes de sécurité, il existe un risque de choc électrique, d'incendie et/ou de blessures corporelles graves.

CONSERVEZ TOUS LES AVERTISSEMENTS ET TOUTES LES CONSIGNES DE SÉCURITÉ POUR RÉFÉRENCE FUTURE.

Dans les avertissements, le terme « outil électroportatif » se rapporte à votre outil branché sur le secteur (avec fil) ou à votre outil alimenté par piles (sans fil).

Sécurité du lieu de travail

Maintenez le lieu de travail propre et bien éclairé. Les risques d'accident sont plus élevés quand on travaille dans un endroit encombré ou sombre.

N'utilisez pas d'outils électroportatifs dans des atmosphères explosives, comme par exemple en présence de gaz, de poussières ou de liquides inflammables. Les outils électroportatifs produisent des étincelles qui risquent d'enflammer les poussières ou les vapeurs.

Éloignez les enfants et les visiteurs quand vous vous servez d'un outil électroportatif. Vous risquez une perte de contrôle si on vous distrait.

Sécurité électrique

Les fiches des outils électroportatifs doivent correspondre à la prise. Il ne faut absolument jamais modifier la fiche. N'utilisez pas d'adaptateur de prise avec des outils électroportatifs munis d'une fiche de terre. Le risque de choc électrique est moindre si on utilise une fiche non modifiée sur une prise qui lui correspond.

Évitez tout contact du corps avec des surfaces reliées à la terre tels que tuyaux, radiateurs, gazinières ou réfrigérateurs. Le risque de choc électrique augmente si votre corps est relié à la terre.

N'exposez pas les outils électroportatifs à la pluie ou à l'humidité. Si de l'eau pénètre dans un outil électroportatif, le risque de choc électrique augmente.

Ne maltraitez pas le cordon. Ne vous en servez jamais pour transporter l'outil électroportatif, pour le tirer ou pour le débrancher. Éloignez le cordon de la chaleur, des huiles, des arêtes coupantes ou des pièces mobiles. Les cordons abîmés ou emmêlés augmentent les risques de choc électrique.

Si vous utilisez un outil électroportatif à l'extérieur, employez une rallonge conçue pour l'extérieur. Ces rallonges sont faites pour l'extérieur et réduisent le risque de choc électrique.

S'il est absolument nécessaire d'utiliser l'outil électroportatif dans un endroit humide, utilisez une alimentation protégée par un disjoncteur de fuite de terre (GFCI). L'utilisation d'un disjoncteur GFCI réduit les risques de choc électrique.

Sécurité personnelle

Restez concentré, faites attention à ce que vous faites, et servez-vous de votre bon sens lorsque vous utilisez un outil électroportatif. N'employez pas d'outils électroportatifs quand vous êtes fatigué ou sous l'emprise de drogues, d'alcool ou de médicaments. Quand on utilise des outils électroportatifs, il suffit d'un moment d'inattention pour causer des blessures corporelles graves.

Utilisez des équipements de sécurité personnelle. Portez toujours une protection oculaire. Le port d'équipements de sécurité tels que des masques antipoussières, des chaussures de sécurité antidérapantes, des casques de chantier et des protecteurs d'oreilles dans des conditions appropriées réduira le risque de blessure corporelle.

Évitez les démarrages intempestifs. Assurez-vous que l'interrupteur est dans la position arrêt (Off) avant de brancher l'outil dans une prise de courant et/ou un bloc-piles, de le ramasser ou de le transporter. Le transport d'un outil électroportatif avec le doigt sur la gâchette ou le branchement de cet outil quand l'interrupteur est en position de marche (ON) est une invite aux accidents.

Enlevez toutes les clés de réglage avant de mettre l'outil électroportatif en marche. Si on laisse une clé sur une pièce tournante de l'outil électroportatif, il y a risque de blessure corporelle.

Ne vous penchez pas. Conservez toujours une bonne assise et un bon équilibre. Ceci vous permettra de mieux maîtriser l'outil électroportatif dans des situations inattendues.

Habillez-vous de manière appropriée. Ne portez pas de vêtements amples ou de bijoux. Attachez les cheveux longs. N'approchez pas les cheveux, les vêtements ou les gants des pièces en mouvement. Les vêtements amples, les bijoux ou les cheveux longs risquent d'être happés par les pièces en mouvement.

Si l'outil est muni de dispositifs permettant le raccordement d'un système d'aspiration et de collecte des poussières, assurez-vous que ces dispositifs sont raccordés et utilisés correctement. L'utilisation d'un dépoussiéreur peut réduire les dangers associés à l'accumulation de poussière.





Utilisation et entretien des outils électroportatifs

Ne forcez pas sur l'outil électroportatif. Utilisez l'outil électroportatif qui convient à la tâche à effectuer. L'outil qui convient à la tâche fait un meilleur travail et est plus sûr à la vitesse pour lequel il a été conçu.

Ne vous servez pas de l'outil électroportatif si son interrupteur ne parvient pas à le mettre en marche ou à l'arrêter. Tout outil électroportatif qui ne peut pas être commandé par son interrupteur est dangereux et doit être réparé.

Débranchez la fiche de la prise ou enlevez le bloc-pile de l'outil électroportatif avant tout réglage, changement d'accessoires ou avant de ranger l'outil électroportatif. De telles mesures de sécurité préventive réduisent le risque de démarrage intempestif de l'outil électroportatif.

Rangez les outils électroportatifs dont vous ne vous servez pas hors de portée des enfants et ne permettez pas à des personnes qui ne connaissent pas l'outil électroportatif ou qui ignorent ces consignes de s'en servir. Les outils électroportatifs sont dangereux dans les mains d'utilisateurs inexpérimentés.

Entretenez les outils électroportatifs. Vérifiez que les pièces mobiles sont alignées correctement et ne coincent pas. Vérifiez qu'il n'y a pas de pièces cassées ou d'autre circonstance qui risquent d'affecter le fonctionnement de l'outil électroportatif. Si l'outil est abîmé, faites-le réparer avant de l'utiliser. De nombreux accidents sont causés par des outils électroportatifs mal entretenus.

Maintenez les outils coupants affûtés et propres. Les outils coupants entretenus correctement et dotés de bords tranchants affûtés sont moins susceptibles de coincer et sont plus faciles à maîtriser.

Utilisez l'outil électroportatif, les accessoires et les embouts d'outil, etc. conformément à ces instructions, en tenant compte des conditions de travail et des travaux à réaliser. L'emploi d'outils électroportatifs pour des tâches différentes de celles pour lesquelles ils ont été prévus peut résulter en une situation dangereuse.

Entretien

Faites réparer votre outil électroportatif par un agent de service qualifié n'utilisant que des pièces de rechange identiques. Ceci assure que la sécurité de l'outil électroportatif est préservée.

Règles de sécurité concernant les toupies

Tenez l'outil électroportatif par les surfaces isolées de prise en exécutant une opération lorsque l'outil de coupe peut venir en contact avec des fils cachés ou son propre cordon. Le contact avec un fil sous tension rendra les parties métalliques exposées de l'outil sous tension et causera des secousses électriques à l'opérateur.

Utilisez des brides ou d'autres moyens pratiques de brider ou de supporter la pièce sur une plate-forme stable. Tenir la pièce à la main ou contre le corps est instable et risque de résulter en une perte de contrôle.

Assurez-vous toujours que la surface de travail est exempte de clous et autres objets étrangers. La coupe dans un clou peut faire sauter la lame et l'outil, et ainsi abîmer la lame.

Ne tenez jamais le matériau d'une main et l'outil de l'autre lorsque vous en faites usage. Ne placez jamais les mains sous la surface de coupe ou à proximité de celle-ci. Il est plus sûr de cramponner le matériau et de guider l'outil des deux mains.

Ne posez jamais le matériau sur des surfaces dures telles que le béton, la pierre, etc. ... La lame de coupe en saillie peut faire sauter l'outil.

Portez toujours des lunettes de sécurité et un masque anti-poussières. N'utilisez l'outil qu'à un endroit bien aéré. L'utilisation de dispositifs de sécurité personnelle et le travail dans un environnement sûr réduisent les risques de blessures.

Après avoir changé les lames ou effectué quelque réglage que ce soit, assurez-vous que l'écrou de la douille et tout autre dispositif de réglage sont bien serrés. Un dispositif de réglage lâche peut bouger soudainement et causer ainsi une perte de contrôle avec projection violente des composants en rotation.

Ne mettez jamais l'outil en marche alors que la lame est enfoncée dans le matériau. Le tranchant de la lame peut se coincer dans le matériau et vous faire perdre le contrôle du couteau.

Tenez toujours le couteau des deux mains durant la mise en marche. Le couple de réaction du moteur peut faire tordre l'outil.

Le sens d'introduction de la lame dans le matériau est très important, et il est lié au sens d'introduction de la lame. Lorsque vous regardez l'outil depuis le dessus, la lame tourne en sens horaire. Le sens d'introduction du couteau doit être anti-horaire.





REMARQUE : Les coupes intérieures et extérieures nécessiteront des sens de déplacement différents - référez-vous à la section consacrée au sens de déplacement de la toupie. Si l'outil est introduit dans le mauvais sens, le tranchant de la lame peut sortir du matériau et tirer l'outil dans le sens de cette introduction.

N'utilisez jamais de lames émoussées ou abîmées. Les lames affilées doivent être maniées soigneusement. Les mèches abîmées peuvent se rompre brusquement durant l'usage. Les lames émoussées nécessitent plus de force pour pousser

l'outil, causant éventuellement un bris de la lame.

Ne touchez jamais la lame durant ou immédiatement après l'usage. Après usage, la lame est trop chaude pour être touchée à main nue.

Ne posez jamais l'outil avant que le moteur ne se soit arrêté complètement. La lame en rotation peut saisir la surface et vous faire perdre le contrôle de l'outil.

N'utilisez jamais des fers dont le diamètre de coupe est supérieur à celui de l'ouverture pratiquée dans la base.

Avertissements supplémentaires concernant la sécurité

L'emploi d'un GFCI et de dispositifs de protection personnelle tels que gants et chaussures d'électricien en caoutchouc améliorent votre sécurité personnelle.

N'utilisez pas un outil conçu uniquement pour le C.A. sur une alimentation en C.C. Même si l'outil semble fonctionner, les composants électriques d'un outil prévu pour le C.A. tomberont probablement en panne et risquent de créer un danger pour l'utilisateur.

Maintenez les poignées sèches et exemptes d'huile et de graisse. On ne peut pas maîtriser un outil électroportatif en toute sécurité quand on a les mains glissantes.

Créez un agenda d'entretien périodique pour votre outil. Quand vous nettoyez un outil, faites attention de n'en démonter aucune pièce car il est toujours possible de mal remonter ou de pincer les fils internes ou de remonter incorrectement les ressorts de rappel des capots de protection. Certains agents de nettoyage tels que l'essence, le tétrachlorure de carbone, l'ammoniaque, etc. risquent d'abîmer les plastiques.

Risque de blessure pour l'utilisateur. Le cordon d'alimentation électrique ne doit être réparé que par un Centre de service usine de Skil ou par une Station service agréée de Skil.

⚠ AVERTISSEMENT Les travaux à la machine tel que ponçage, sciage, meulage, perçage et autres travaux du bâtiment peuvent créer des poussières contenant des produits chimiques qui sont des causes reconnues de cancer, de malformation congénitale ou d'autres problèmes reproductifs. Ces produits chimiques sont, par exemple :





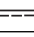








- Le plomb provenant des peintures à base de plomb,
- Les cristaux de silices provenant des briques et du ciment et d'autres produits de maçonnerie, et
- L'arsenic et le chrome provenant des bois traités chimiquement.

Le niveau de risque dû à cette exposition varie avec la fréquence de ces types de travaux. Pour réduire l'exposition à ces produits chimiques, il faut travailler dans un lieu bien ventilé et porter un équipement de sécurité approprié tel que certains masques à poussière conçus spécialement pour filtrer les particules microscopiques.



Symboles

IMPORTANT : Certains des symboles suivants peuvent être utilisés sur votre outil. Veuillez les étudier et apprendre leur signification. Une interprétation appropriée de ces symboles vous permettra d'utiliser l'outil de façon plus efficace et plus sûre.

Symbole	Nom	Désignation/Explication
V	Volts	Tension (potentielle)
A	Ampères	Courant
Hz	Hertz	Fréquence (cycles par seconde)
W	Watt	Puissance
kg	Kilogrammes	Poids
min	Minutes	Temps
s	Secondes	Temps
	Diamètre	Taille des mèches de perceuse, meules, etc.
n_0	Vitesse à vide	Vitesse de rotation, à vide
n	Vitesse nominale	Vitesse maximum pouvant être atteinte
.../min	Tours ou mouvement alternatif par minute	Tours, coups, vitesse en surface, orbites, etc., par minute
0	Position d'arrêt	Vitesse zéro, couple zéro ...
1, 2, 3, ... I, II, III, ...	Réglages du sélecteur	Réglages de vitesse, de couple ou de position. Un nombre plus élevé signifie une vitesse plus grande
	Sélecteur variable à l'infini avec arrêt	La vitesse augmente depuis le réglage 0
	Flèche	Action dans la direction de la flèche
	Courant alternatif	Type ou caractéristique du courant
	Courant continu	Type ou caractéristique du courant
	Courant alternatif ou continu	Type ou caractéristique du courant
	Construction classe II	Désigne des outils construits avec double isolation
	Borne de terre	Borne de mise à la terre
	Symbole d'avertissement	Alerte l'utilisateur aux messages d'avertissement.
	Sceau Li-ion RBRC	Désigne le programme de recyclage des piles Li-ion.
	Sceau Ni-Cad RBRC	Désigne le programme de recyclage des piles Ni-Cad.
	Symbole de lecture du mode d'emploi d'emploi	Alerte l'utilisateur pour lire le mode
	Symbole de port de lunettes de sécurité de sécurité	Alerte l'utilisateur pour porter des lunettes

Symboles (suite)

IMPORTANT : Certains des symboles suivants peuvent être utilisés sur votre outil. Veuillez les étudier et apprendre leur signification. Une interprétation appropriée de ces symboles vous permettra d'utiliser l'outil de façon plus efficace et plus sûre.



Ce symbole signifie que cet outil est approuvé par Underwriters Laboratories.



Ce symbole indique que cet outil est reconnu par Underwriters Laboratories.



Ce symbole signifie que cet outil est approuvé par Underwriters Laboratories selon les normes des États-Unis et du Canada.



Ce symbole signifie que cet outil est approuvé par l'Association canadienne de normalisation.



Ce symbole signifie que cet outil est approuvé par l'Association canadienne de normalisation selon les normes des États-Unis et du Canada.



Ce symbole signifie que cet outil est approuvé par Intertek Testing Services selon les normes des États-Unis et du Canada.



Ce symbole signifie que cet outil se conforme aux normes mexicaines NOM.

Conforme à

Norme UL 60745-1

Norme UL 60745-2-17

Certifié conforme à

Norme CAN/CSA C22.2 N° 60745-1

Norme CAN/CSA C22.2 N° 60745-2-17

Description fonctionnelle et spécifications

⚠ AVERTISSEMENT Débranchez la fiche de la prise de courant avant d'effectuer quelque assemblage ou réglage que ce soit ou de changer les accessoires. Ces mesures de sécurité préventive réduisent le risque d'une mise en marche accidentelle de l'outil.

Défonceuse à embase fixe

FIG. 1

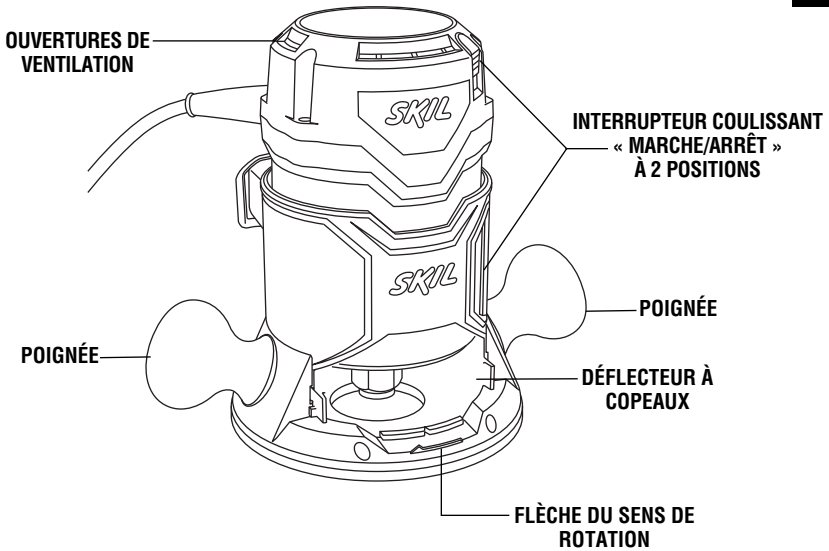
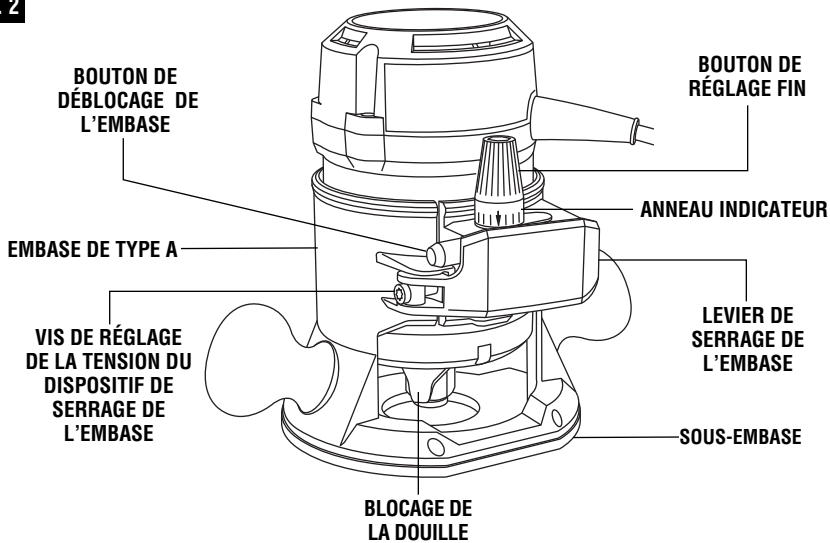
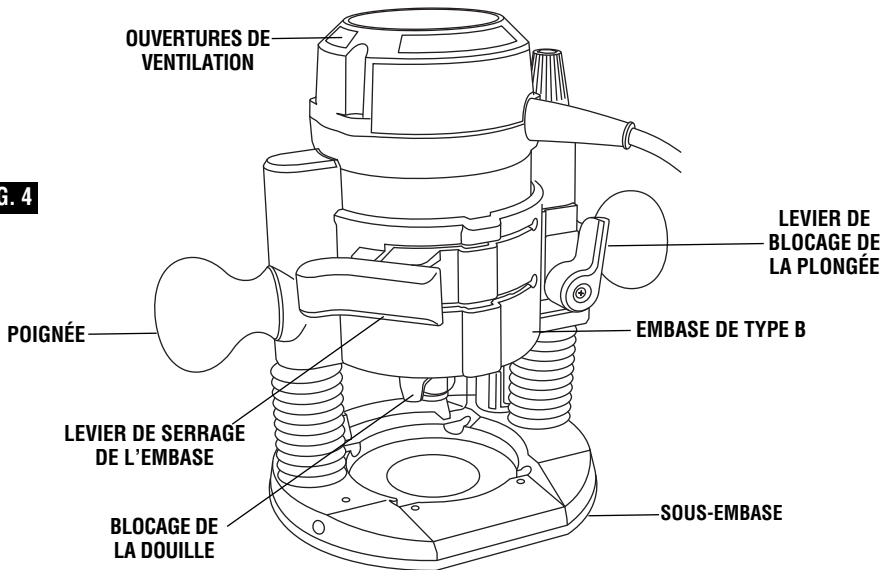
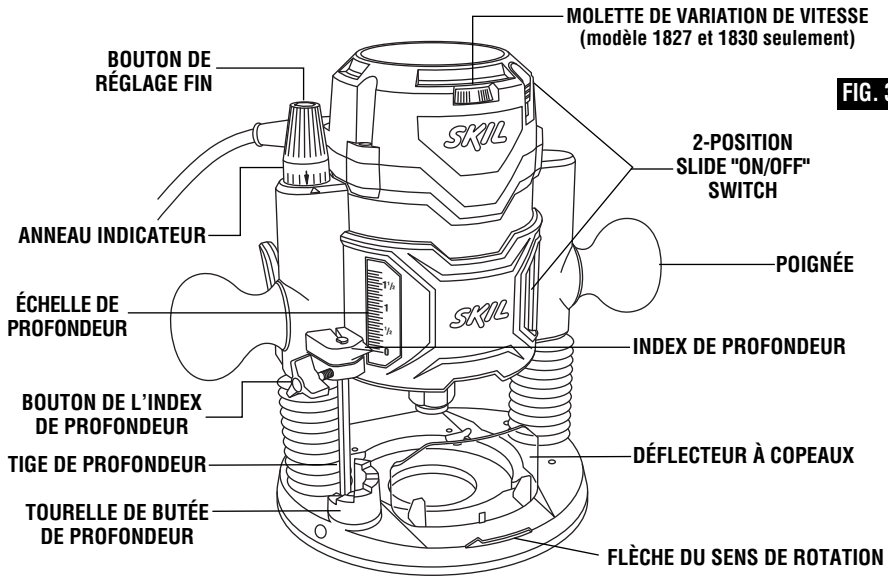


FIG. 2



Défonceuse à embase plongeante



Numéro de modèle	1817	1827	1830
Tension nominale	120V ~ 60Hz	120V ~ 60Hz	120V ~ 60Hz
Intensité nominale	9,5A	10A	10A
Régime à vide	n_0 25,000/min	n_0 10,500-25,000/min	n_0 10,500-25,000/min
Capacités de la douille	1/4", 1/2"	1/4" 1/2"	1/4", 1/2"

Sur les modèles 1817, 1827 & 1830, il faut utiliser l'ensemble du moteur de défonceuse soit avec l'embase fixe de type A, soit avec l'embase plongeante de type B.

Assemblage

Il existe un grand nombre de fers de défonceuse avec des profils variés qui sont disponibles séparément.

⚠ AVERTISSEMENT Pour éviter toute blessure corporelle, débranchez toujours la prise avant de monter ou de démonter des fers ou des accessoires.

INSTALLATION D'UN FER DE DÉFONCEUSE

Retournez la défonceuse et posez son dessus sur l'établi. On peut également retirer le moteur de l'embase avant d'installer le fer.

1. Enlevez le pare-copeaux.
2. Appuyez sur le blocage de la douille pour empêcher l'arbre du rotor de tourner. REMARQUE : Il se peut qu'il faille tourner l'ensemble de douille pour enclencher le blocage de la douille (Fig. 5).
3. Ensuite, à l'aide de la clé à douille, desserrez l'écrou de douille en tournant en sens anti-horaire (vu du dessous de la défonceuse).
4. Enfoncez la queue du fer de défonceuse à fond dans l'ensemble de douille puis ressortez-la de manière à écarter les tranchants d'environ 1/8 à 1/4 po de la face de l'écrou de douille.
5. Une fois le fer de défonceuse enfoncé et avec le blocage de douille maintenant l'arbre du rotor, serrez fermement l'écrou de douille en sens horaire (vu du dessous de la défonceuse) à l'aide de la clé

à douille. Pour assurer la préhension appropriée du fer de la défonceuse, la tige du fer de la défonceuse doit être insérée à au moins 5/8 po dans la douille.

⚠ AVERTISSEMENT Si le guide de gabarit a été retiré de l'embase, n'utilisez pas de fers de défonceuse d'un diamètre supérieur à 2 po car ils sont trop grands pour la sous-embase.

⚠ MISE EN GARDE Pour éviter d'abîmer l'outil, ne serrez pas l'écrou de douille quand celle-ci est vide.

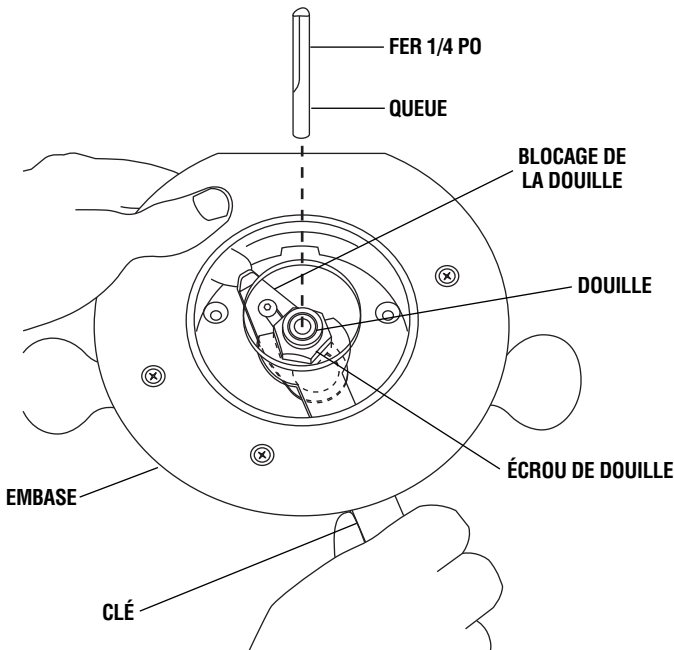
REMARQUE : Il faut nettoyer la queue du fer de défonceuse et la douille et enlever la poussière, le bois, les débris et la graisse avant le montage.

DÉMONTAGE DU FER DE DÉFONCEUSE

1. Appuyez sur le blocage de la douille pour empêcher l'arbre du rotor de tourner puis desserrez l'ensemble de douille en tournant en sens anti-horaire.
2. Une fois l'ensemble de douille desserré, continuez de tourner jusqu'à ce qu'il arrache la douille de son cône, ce qui permet d'enlever le fer de défonceuse.

REMARQUE : La douille est à extraction automatique. Il n'est PAS nécessaire de la frapper pour libérer le fer de défonceuse.

FIG. 5

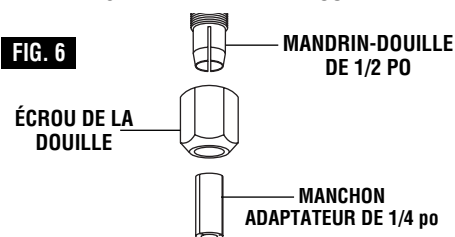


ENTRETIEN DU MANDRIN-DOUILLE

Tous les modèles de défonceuses sont conçus de façon à être compatibles avec des fers à tige de 1/2 po et de 1/4 po. Les fers à tige de 1/4 po nécessitent l'emploi d'un manchon adaptateur de 1/4 po. Après avoir retiré le fer de la défonceuse, continuez à faire tourner l'écrou de la douille dans le sens contraire des aiguilles d'une montre jusqu'à ce qu'il soit complètement desserré. Pour assurer une prise ferme, soufflez de temps en temps sur le mandrin-douille et nettoyez-le avec un chiffon propre ou une brosse fine. L'ensemble de mandrin-douille se compose de deux pièces différentes, comme on peut le voir sur l'illustration (Fig. 6) ; inspectez visuellement pour déterminer que le manchon adaptateur (s'il est nécessaire) est bien à sa place dans

le mandrin-douille, et enfitez légèrement à nouveau l'écrou de la douille dans le mandrin-douille de 1/2 po. Remplacez immédiatement tout ensemble de mandrin-douille usé ou endommagé.

ENSEMBLE DE MANDRIN-DOUILLE



DÉMONTAGE DU MOTEUR D'UNE EMBASE

Pour retirer le moteur d'une embase fixe :

1. Tenez la défonceuse en position verticale.
2. Ouvrez le levier de serrage de l'embase.
3. Appuyez sur le bouton de déblocage de l'embase dans le sens de la flèche et tirez sur l'ensemble de moteur pour le faire sortir de l'embase. Le moteur cessera de bouger juste avant de sortir complètement de l'embase.
4. Appuyez sur le bouton de déblocage du mandrin pour dégager totalement l'ensemble de moteur de l'embase (Fig. 7).

Pour retirer le moteur d'une embase plongeante :

1. Tenez la défonceuse en position verticale.
2. Ouvrez le levier de serrage de l'embase et tirez sur l'ensemble de moteur pour le faire sortir de la base par le haut. Le moteur cessera de bouger juste avant de sortir complètement de l'embase.
3. Appuyez sur le bouton de déblocage du mandrin pour dégager totalement l'ensemble de moteur de l'embase (Fig. 8).

INSTALLATION DU MOTEUR SUR UNE EMBASE

Pour installer le moteur sur une embase fixe :

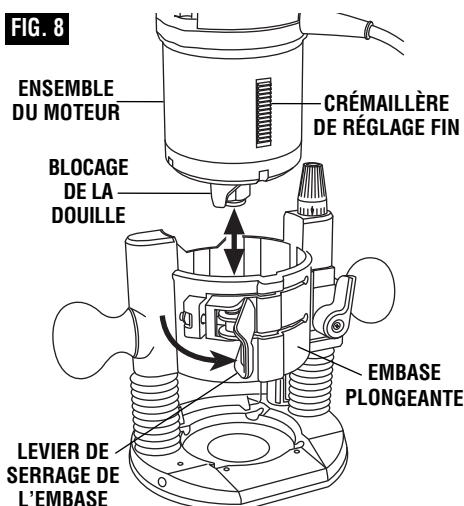
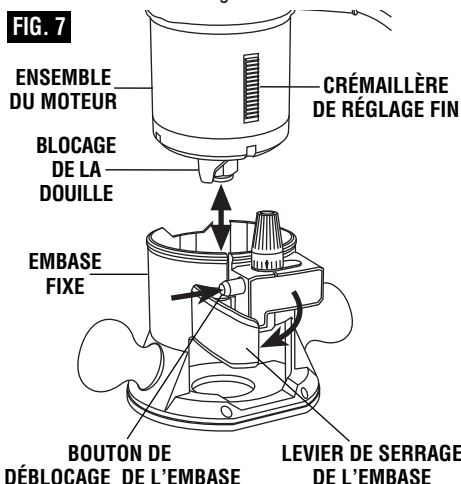
1. Desserrez le levier de serrage de l'embase.
2. Appuyez sur le dispositif de blocage de la douille qui se trouve sur l'ensemble de moteur.
3. Alignez la crémaillère de réglage fin avec le bouton de réglage fin.
4. Appuyez sur le bouton de déblocage de l'embase et faites glisser le l'ensemble de moteur jusqu'à ce que le haut de la crémaillère de réglage fin soit au même niveau que le sommet de l'embase.
5. Serrez le levier de serrage de l'embase.

Pour installer le moteur sur une embase plongeante :

1. Desserrez le levier de serrage de l'embase.
2. Appuyez sur le dispositif de blocage de la douille qui se trouve sur l'ensemble de moteur.
3. Alignez la crémaillère de réglage fin avec la fente qui se trouve à l'arrière de l'embase plongeante.
4. Faites glisser le l'ensemble de moteur dans l'embase

jusqu'à ce qu'il soit bien à sa place.

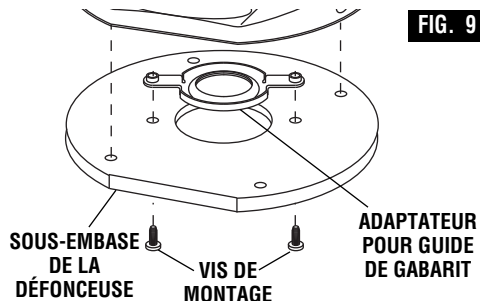
5. Serrez le levier de serrage de l'embase.



INSTALLATION DE L'ADAPTATEUR POUR GUIDE DE GABARIT (non compris, disponible comme accessoire)

Placez l'adaptateur pour guide de gabarit sur les trous situés au centre de la sous-embase, placez les deux trous filetés situés en dessous de l'adaptateur en face des trous fraisés de la sous-embase. Fixez l'adaptateur à l'aide des vis fournies (Fig. 9).

Pour assurer l'alignement correct du guide de gabarit avec l'arbre d'armature, veuillez utiliser un cône de centrage (accessoire en option).



DÉFLECTEUR À COPEAUX

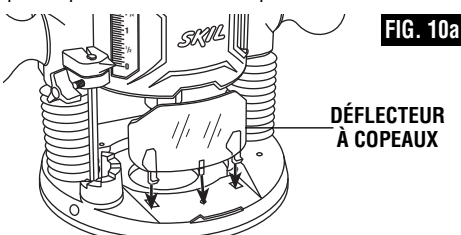
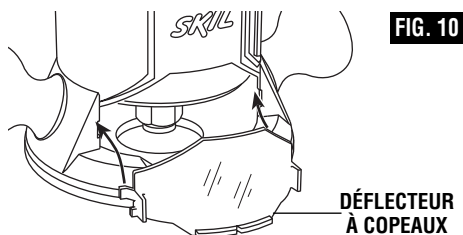
AVERTISSEMENT Il faut toujours porter une protection oculaire. Le déflecteur à copeaux n'est pas prévu pour servir de capot de sécurité.

Le déflecteur à copeaux empêche la poussière et les copeaux de vous frapper le visage mais il n'est pas capable d'arrêter des objets plus gros que la poussière éjectée par le fer.

Pour enlever le pare-copeaux de l'embase fixe, appuyez sur les languettes du déflecteur pour les pousser vers l'intérieur jusqu'à ce que le pare-copeaux

se sépare de l'embase, puis retirez-le. Pour le fixer en place, placez le déflecteur en position comme illustré à la Fig. 10. Puis appuyez à nouveau sur les languettes du déflecteur pour les pousser vers l'intérieur jusqu'à ce que le pare-copeaux s'enclenche à sa place.

Pour retirer le pare-copeaux de l'embase plongeante, appuyez vers l'intérieur de l'un quelconque des côtés du déflecteur jusqu'à ce que le pare-copeaux se sépare de l'embase, puis retirez-le. Pour le fixer en place, placez le déflecteur en position comme illustré à la Fig. 10a. Puis appuyez à nouveau vers l'intérieur du déflecteur d'un côté ou de l'autre tout en poussant jusqu'à ce que le pare-copeaux s'enclenche à sa place.



Instructions d'utilisation

Les défonceuses Skil sont conçues pour apporter rapidité, précision et facilité lors des travaux d'ébénisterie, de toupillage, de la réalisation de cannelures, de baguettes, de congés, de queues d'aronde, etc. Elles vous permettent de faire de la marqueterie, des chants décoratifs et de nombreux types de découpages spéciaux.

RÉGLAGE DE LA PROFONDEUR AVEC LE BOUTON DE RÉGLAGE FIN DE L'EMBASE FIXE

Le bouton de réglage fin permet d'effectuer un réglage précis de la hauteur du fer sur votre défonceuse.

Pour utiliser la fonction de réglage fin, desserrez le levier de serrage de l'embase et faites tourner le bouton dans le sens des aiguilles d'une montre pour abaisser la hauteur du fer ou dans le sens contraire des aiguilles d'une montre pour élever la hauteur du fer (Fig. 2).

(Veuillez noter qu'un tour complet du bouton déplace le fer d'environ 1/16 po). Après avoir terminé le réglage de la profondeur, resserrez le moteur.

REMARQUE : Il faut effectuer tous les réglages de profondeur avec le levier de serrage de l'embase desserré.

TOUPELLAGES PROFONDS

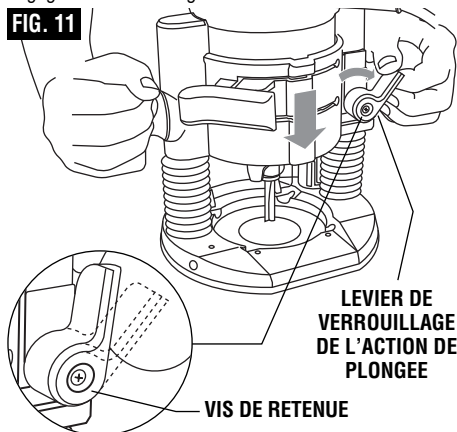
Pour faire des toupillages profonds, faites plusieurs toupillages de profondeurs croissantes en démarrant à une profondeur donnée puis en faisant des passes successives tout en augmentant la profondeur de coupe à chaque passe.

Pour vous assurer que votre profondeur de coupe est correcte, nous vous conseillons de faire des toupillages d'essai dans une chute avant de commencer le travail.

RÉGLAGE DE LA PROFONDEUR AVEC LA FONCTION DE PLONGÉE DE L'EMBASE PLONGEANTE

La fonction de plongée simplifie les réglages de la profondeur et permet au fer de pénétrer l'ouvrage facilement et précisément. Pour abaisser, desserrez le levier de verrouillage de la plongée (Fig. 11), et faites pression vers le bas jusqu'à ce que vous ayez atteint la profondeur désirée, puis serrez à nouveau le levier de verrouillage de la plongée. Desserrez la pression, et la défonceuse rétractera automatiquement le fer pour le faire sortir de l'ouvrage. Il est recommandé de rétracter le fer quand il n'est pas engagé dans un ouvrage.

FIG. 11



LEVIER DE VERROUILLAGE DE L'ACTION DE PLONGÉE

VIS DE RETENUE

RÉGLAGE DU LEVIER DE VERROUILLAGE DE L'ACTION DE PLONGÉE

Vous pouvez ajuster ou repositionner le levier de verrouillage de l'action de plongée pour augmenter le confort ou pour tenir compte de l'usure.

1. Le levier de verrouillage de l'action de plongée étant dans la position verrouillée (position verticale), retirez (en tournant dans le sens contraire des aiguilles d'une montre) la vis de retenue qui est située sur la partie médiane du levier.
2. Mettez le levier dans la position désirée, remettez la vis de retenue et la rondelle en place, puis serrez (en tournant dans le sens des aiguilles d'une montre).

TIGE DE PROFONDEUR ET TOURELLE DE PROFONDEUR

La tige de profondeur et la tourelle de profondeur sont utilisées pour contrôler la profondeur de coupe de la façon suivante :

1. Avec le fer installé, abaissez doucement le moteur jusqu'à ce que la pointe du fer de la défonceuse effleure la surface plane sur laquelle la défonceuse repose. Il s'agit de la position « zéro », à partir de laquelle il est possible d'effectuer d'autres réglages de la profondeur avec une grande précision.
2. Pour régler une profondeur de coupe désirée, faites tourner la tourelle de butée de profondeur jusqu'à ce que le repère le plus bas soit aligné avec la tige de profondeur. Desserrez le bouton de repère de la

profondeur et abaissez la tige de profondeur jusqu'à ce qu'elle entre en contact avec le repère le plus bas de la tourelle. Faites glisser le repère de profondeur jusqu'à ce que l'indicateur pointe sur le zéro sur l'échelle de profondeur, montrant ainsi le point auquel le fer de la défonceuse effleure l'ouvrage (Fig. 12).

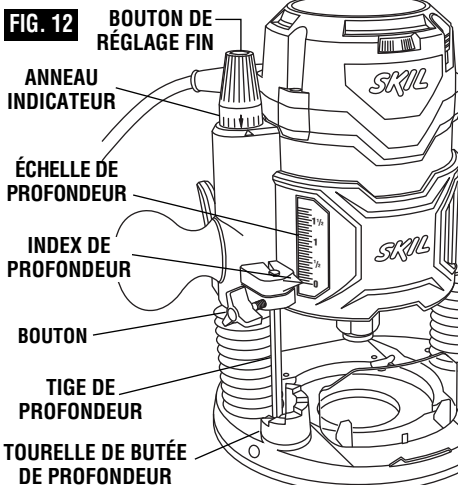
3. Pour régler une profondeur de coupe désirée, faites glisser la tige de profondeur jusqu'à ce que le repère de profondeur ait atteint la profondeur de coupe désirée, et assujettissez la tige en position en serrant fermement le bouton de repère de la profondeur.
4. La profondeur de coupe désirée peut maintenant être atteinte en faisant plonger la défonceuse jusqu'à ce que la tige de profondeur entre en contact avec la butée de profondeur sélectionnée sur la tourelle.

TOUILLAGES PROFONDS

Pour faire des touillages profonds, faites plusieurs touillages de profondeurs croissantes en commençant par l'échelon le plus haut sur la tourelle de profondeur, et après chaque passe, tournez la tourelle pour amener des échelons progressivement plus bas jusqu'à ce que la profondeur finale soit atteinte (échelon le plus bas sur le plat). Les échelons sont en incréments de 1/8 po.

Pour vous assurer que vos profondeurs de coupe sont correctes, nous vous conseillons de faire des touillages d'essai dans une chute avant de commencer le travail.

FIG. 12



RÉGLAGE DE LA PROFONDEUR AVEC LE BOUTON DE RÉGLAGE FIN DE L'EMBASE PLONGEANTE

Le bouton télescopique de réglage fin de la profondeur permet de régler précisément la hauteur du fer sur votre défonceuse.

Pour utiliser le système de réglage fin, déboîtez le bouton de réglage fin en le tirant vers le haut et tournez-le en sens horaire pour abaisser le fer ou en sens opposé pour le relever.

(Veuillez noter qu'un tour complet du bouton déplace le fer d'environ 1/16 po.)

INTERRUPTEUR COULISSANT « MARCHE/ARRÊT » À 2 POSITIONS

L'outil peut être mis en marche en actionnant l'interrupteur coulissant à 2 positions situé sur le dessus du moteur, du côté droit (Fig. 1).

POUR METTRE L'OUTIL EN MARCHÉ, faites glisser l'interrupteur du haut ou du bas vers le HAUT, dans la position « I ».

POUR ÉTEINDRE L'OUTIL, faites glisser l'interrupteur du haut ou du bas vers le BAS, dans la position « O ».

Écartez toujours la défonceuse de la pièce quand vous enfoncez ou relâchez la gâchette. Attendez que la défonceuse ait atteint la vitesse désirée avant de la laisser toucher la pièce et soulevez-la de la pièce avant de relâcher la gâchette. Ceci vous permettra d'allonger la durée de vie du moteur et celle de la gâchette et de considérablement augmenter la qualité de votre travail.

Il faut toujours tenir l'outil à deux mains quand on le met en route car le couple généré par le moteur risque de le faire pivoter.

DEPART EN DOUCEUR (Fonction incluse sur tous les modèles)

Un système d'asservissement électronique minimise le contrecoup du couple de démarrage (un défaut habituel des défonceuses puissantes) en limitant la vitesse de démarrage du moteur.

COMMANDE ÉLECTRONIQUE DE VARIATION DE VITESSE (Modèles 1827 et 1830 seulement)

Le système de commande de vitesse électronique permet d'adapter la vitesse du moteur au diamètre du fer ainsi qu'à la dureté du matériau, ce qui produit de meilleures finitions, prolonge la durée de vie des fers et améliore la performance. Le changement de vitesse s'effectue en tournant la molette et en la positionnant soit sur l'un des 6 chiffres soit entre deux (Fig. 3). On peut changer de vitesse en marche. Les chiffres de la molette servent de référence pour faciliter le re-réglage à la vitesse désirée.

Le tableau des vitesses indique le rapport entre la position de la molette et le type de travail à effectuer. L'expérience et la préférence de l'utilisateur déterminent les réglages exacts. Il se peut aussi que le fabricant du fer recommande une vitesse particulière.

RÉGLAGE DE LA MOLETTE

TR/MIN	APPLICATION
1	} Métaux non ferreux fers et couteaux de grand diamètre
2	
3	
4	} Bois tendres, plastiques, dessus de cuisine, fers et couteaux de petit diamètre
5	
6	

ÉCLAIRAGE SITE-LIGHT™

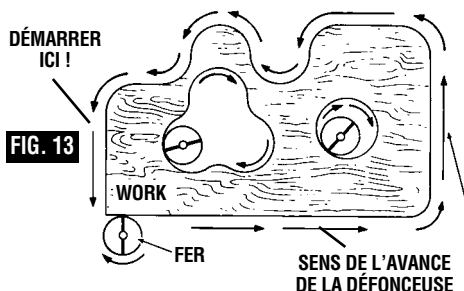
Votre outil est également muni d'un éclairage d'appoint Site-Light™ pour améliorer la visibilité durant le travail.

Quand l'outil est branché, les lampes s'allument automatiquement.

L'éclairage Site-Light™ ne nécessite aucun entretien. Il a été conçu pour durer aussi longtemps que votre outil.

MOUVEMENT D'AVANCE DE LA DÉFONCEUSE

Vu du dessus de la défonceuse, le fer tourne en sens horaire et les tranchants sont dirigés en conséquence. Ainsi, le touillage est plus efficace quand on déplace la défonceuse de manière à ce que le tranchant du fer pénètre dans la pièce au lieu de s'en éloigner. La figure 13 illustre le sens d'avance correct pour une variété de touillages. La vitesse d'avance dépend de la dureté du matériau et de la profondeur de passe. Dans certains matériaux, il vaut mieux faire plusieurs passes de profondeurs croissantes.



Si la défonceuse est difficile à maîtriser, chauffe, tourne très lentement ou produit une finition imparfaite, en voici peut-être la raison :

1. Mauvais sens d'avance – difficile à maîtriser.
2. Avance trop rapide – moteur surchargé.
3. Fer émoussé – moteur surchargé.
4. Passe trop profonde – moteur surchargé.
5. Avance trop lente – laisse des brûlures de frottement sur la pièce.

Avancez régulièrement et sans hésiter (ne forcez pas). Vous reconnaîtrez rapidement le bruit que fait la défonceuse ainsi que la sensation qu'elle produit quand elle fonctionne au mieux.

VITESSE D'AVANCE

Lors du touillage ou d'autres travaux similaires dans du bois ou du plastique, les meilleures finitions sont obtenues quand la profondeur de coupe et la vitesse d'avance sont réglées de manière à maintenir la vitesse du moteur à une valeur élevée. Faites avancer la défonceuse à une vitesse modérée. Les matériaux tendres nécessitent une vitesse d'avance plus élevée que les matériaux durs.

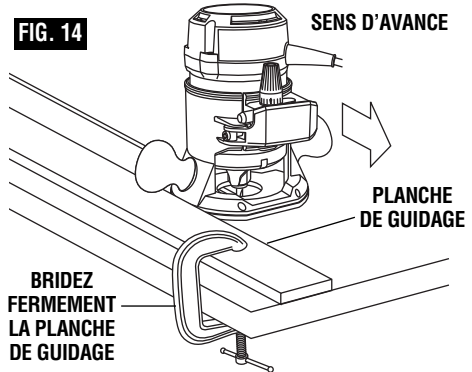
La défonceuse risque de caler si elle n'est pas utilisée correctement ou si elle est surchargée. Réduisez la vitesse d'avance pour éviter d'abîmer l'outil.

Il faut toujours s'assurer que la écrou de douille est bien serrée avant utilisation.

Il faut toujours utiliser des fers de défonceuse dont la longueur du tranchant est aussi courte que possible tout en permettant de produire le toupillage désiré. Ceci minimise le battement et les vibrations du fer.

GUIDAGE DE LA DÉFONCEUSE

La défonceuse peut être guidée dans la pièce de plusieurs manières. La méthode à utiliser dépend bien évidemment des caractéristiques de la tâche à effectuer et de ce qui paraît le plus commode. Pour les travaux de toupillage tels que les rainures en long ou en travers, il est souvent nécessaire de guider l'outil parallèlement à un chant droit. Pour toupiller droit, on peut par exemple brider fermement une planche ou une règle sur la surface de la pièce et guider le bord de la sous-embase de la défonceuse le long de cette trajectoire (Fig. 14).



GUIDE PARALLÈLE ET DE CERCLES (non inclus, disponible en accessoire)

Utilisez cet accessoire commode pour effectuer facilement des coupes précises droites et courbes.

FIXATION DU GUIDE

Enfilez les tiges du guide parallèle dans les trous de l'embase, faites coulisser le guide de chant pour le mettre à la position désirée comme indiqué à la Fig. 15 et fixez-le à sa place en serrant la vis située en dessous

de la défonceuse. Pour positionner le guide, on peut par exemple repérer le centre de la rainure à toupiller, poser la défonceuse à plat sur la pièce avec le fer effleurant la surface et centré au milieu de la rainure. Positionnez le guide contre le chant de la pièce et serrez fermement les vis. Si vous n'êtes pas sûr des dimensions, faites un essai sur une chute. Quand on guide le long d'un chant circulaire, l'encoche située au centre du guide touche la pièce aux deux points indiqués (Fig. 16).

FIG. 15

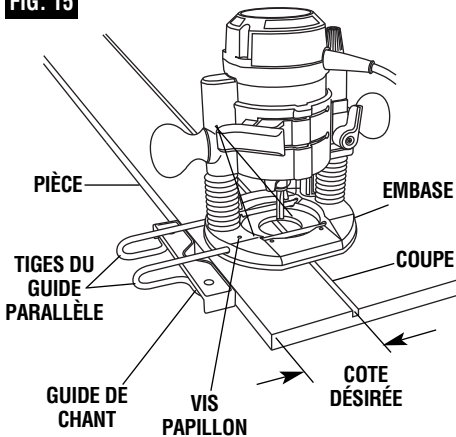


FIG. 16

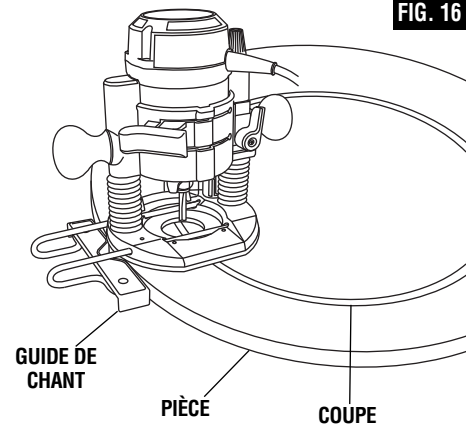
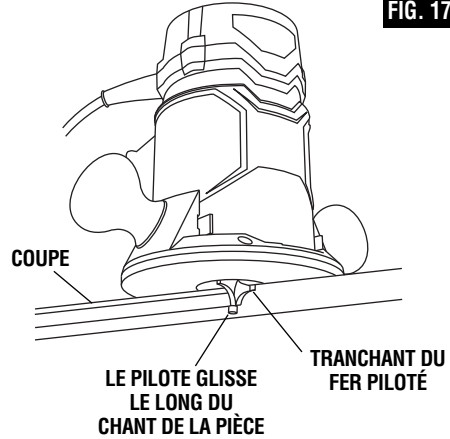


FIG. 17

FERS GUIDÉS PAR ROULEMENT OU PAR PILOTE

Comme illustré à la Fig. 17, la partie inférieure d'un fer piloté est un arbre lisse. Les fers guidés par roulement sont munis d'un roulement à billes pour piloter le fer.

Ce pilote glisse le long du chant de la pièce pendant que les tranchants effectuent le touillage pour former des moulures ou des bords décoratifs. Il faut que le chant le long duquel glisse le pilote soit parfaitement lisse car toute irrégularité serait recopiée sur la surface toupillée.

**GABARITS**

L'utilisation de motifs en gabarit vous permet de recopier des dessins ou des lettres régulièrement à chaque fois. Cette technique nécessite l'utilisation d'un adaptateur pour guide de gabarit ainsi que d'un guide de gabarit.

GUIDES DE GABARIT

(non compris, disponible en accessoire)

Le guide de gabarit illustré à la Fig. 18 est principalement une plaque munie d'un anneau qu'on insère par en dessous dans le trou de la sous-embase et de l'adaptateur pour guide de gabarit. Il se fixe à l'aide d'un écrou moleté. Le guide de gabarit glisse le long du bord du gabarit tandis que le fer de la défonceuse, qui lui dépasse en dessous, touille la pièce.

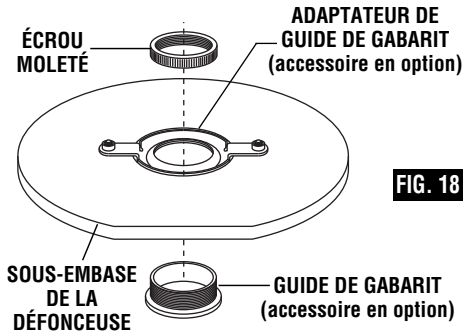


FIG. 18

ATTENTION : Assurez-vous que l'épaisseur du gabarit est au moins égale à la hauteur de la surface de guidage de l'anneau.

N'utilisez pas de fer qui risquerait d'effleurer l'intérieur de l'anneau. Sélectionnez un fer dont le diamètre est inférieur d'environ 1/16 po à celui de l'ouverture de l'adaptateur du guide de gabarit.

Les guides de gabarit s'utilisent avec de nombreux accessoires spéciaux, tels que le gabarit pour charnières, qui se trouvent au catalogue Skil. De plus, il est facile de préparer des gabarits spéciaux pour touiller des motifs à répétition, des dessins spéciaux, de la marqueterie et autres travaux. Pour fabriquer un gabarit, on peut utiliser du contre-plaqué, du panneau de fibres dur, du métal ou même du plastique et le motif peut être découpé à la défonceuse, à la scie sauteuse ou avec tout autre outil qui convient.

Souvenez-vous que le motif doit être conçu en tenant compte de la distance entre le fer de défonceuse et le guide de gabarit (appelé "écart") car la pièce finale aura des dimensions qui différeront de celle du gabarit de la valeur de l'écart, ceci étant dû à la position du fer (Fig. 19).

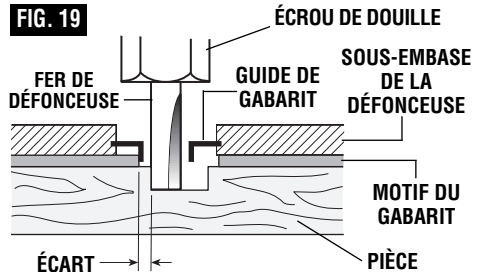


FIG. 19

RAMASSAGE DES POUSSIÈRES SUR DÉFONCEUSE

Il y a deux capuchons d'aspiration des poussières (accessoires en option). Chacun de ces capuchons d'aspiration des poussières est dimensionné pour se raccorder à un flexible d'aspiration de 35 mm. Chaque ensemble d'accessoire comprend l'adaptateur qui permet de raccorder le capuchon à des flexibles d'aspiration de 1-1/4 po et 1-1/2 po.

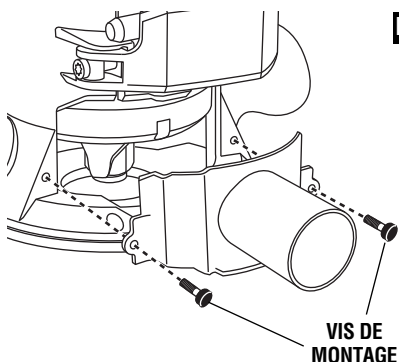
AVERTISSEMENT Veuillez lire et comprendre ces consignes et le mode d'emploi de la machine avec ces accessoires.

Éloignez-vous de la zone du fer quand la défonceuse est en marche ou branchée.

MISE EN GARDE Pour empêcher les tuyaux de s'em mêler, n'utilisez pas ce capuchon d'extraction de poussière en même temps qu'un autre capuchon d'extraction de poussière quel qu'il soit.

EXTRACTION DE LA POUSSIÈRE DE LA BASE FIXE (non inclus, disponible en accessoire)

Ce capuchon d'extraction de poussière est conçu pour s'utiliser avec l'embase fixe quand le toupillage est effectué au milieu de la pièce, comme par exemple lors

**FIG. 20**

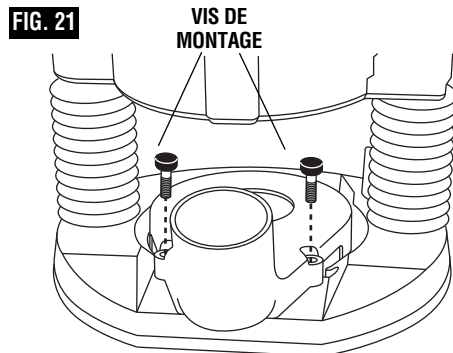
de l'usinage de rainures ou de profils de marqueterie. Si vous avez un système d'aspiration d'atelier, vous pouvez monter le capuchon d'aspiration de manière à améliorer la visibilité, la précision et l'utilité de l'outil, plus spécialement lors du toupillage à main levée.

Pour monter le capuchon, positionnez-le comme indiqué et fixez l'adaptateur à l'embase à l'aide des vis de montage fournies (Fig. 20).

EXTRACTION DE LA POUSSIÈRE DE LA BASE POUR L'EMBASE PLONGEANTE (non inclus, disponible en accessoire)

Ce capuchon d'extraction de poussière est conçu pour s'utiliser avec l'embase plongeante quand le toupillage est effectué au milieu de la pièce, comme par exemple lors de l'usinage de rainures ou de profils de marqueterie. Si vous avez un système d'aspiration d'atelier, vous pouvez monter le capuchon d'aspiration de manière à améliorer la visibilité, la précision et l'utilité de l'outil, plus spécialement lors du toupillage à main levée.

Pour monter le capuchon, positionnez-le comme indiqué et fixez l'adaptateur à l'embase à l'aide des vis de montage fournies (Fig. 21).

**FIG. 21****Entretien****Service**

AVERTISSEMENT Tout entretien préventif effectué par des personnels non autorisés peut résulter en mauvais placement de fils internes ou de pièces, ce qui peut présenter un danger grave. Nous vous conseillons de faire faire tout l'entretien par un centre de service d'usine Skil ou une station service agréée Skil.

LUBRIFICATION DE L'OUTIL

Votre outil Skil a été lubrifié correctement en usine et il est prêt à l'utilisation. Nous vous conseillons de re-graisser les outils qui comportent des engrenages avec un lubrifiant à engrenages spécial à chaque fois que vous changez les balais.

BALAIS OU CHARBONS

Les balais (ou charbons) et le collecteur de votre outil ont été conçus pour apporter de nombreuses heures de fonctionnement fiable. Pour maintenir le rendement du moteur à son maximum, nous vous conseillons de contrôler les balais tous les deux à six mois. Il ne faut utiliser que des balais de rechange Skil d'origine et conçus pour votre outil.

PALIER

Après environ 300 à 400 heures de fonctionnement ou tous les deux changements de balais, il est conseillé de faire remplacer les paliers par un centre de service d'usine Skil ou une station service agréée Skil. Si les paliers commencent à faire du bruit (à cause de surcharges importantes ou du toupillage de matériaux

très abrasifs) il faut les faire remplacer immédiatement pour éviter la surchauffe ou une panne de moteur.

Nettoyage

AVERTISSEMENT Pour éviter les accidents, il faut toujours débrancher l'outil avant de le nettoyer ou de l'entretenir. Le meilleur moyen de nettoyer l'outil est d'utiliser de l'air comprimé sec. Il faut toujours porter des lunettes de protection quand on utilise de l'air comprimé.

Les ouïes de ventilation et les leviers de l'interrupteur doivent rester propres et exempts de corps étrangers. Ne tentez pas de les nettoyer en enfonçant des objets pointus dans les orifices.

MISE EN GARDE Certains agents de nettoyages et certains dissolvants abîment les pièces en plastique. Parmi ceux-ci se trouvent: l'essence, le tétrachlorure de carbone, les dissolvants de nettoyage chlorés, l'ammoniaque ainsi que les détergents domestiques qui en contiennent.

Cordons de rallonge

AVERTISSEMENT Si un cordon de rallonge s'avère nécessaire, vous devez utiliser un cordon avec conducteurs de dimension adéquate pouvant porter le courant nécessaire à votre outil. Ceci prévient une chute excessive de tension, une perte de courant ou une surchauffe. Les outils mis à la terre doivent utiliser des cordons de rallonge trifilaires pourvus de fiches à trois broches ainsi que des prises à trois broches.

REMARQUE : Plus le calibre est petit, plus le fil est gros.

DIMENSIONS DE RALLONGES RECOMMANDÉES OUTILS 120 VOLTS COURANT ALTERNATIF

Intensité nominale de l'outil	Calibre A. W. G.				Calibre en mm ²			
	Longueur en pieds				Longueur en mètres			
	25	50	100	150	15	30	60	120
3-6	18	16	16	14	0,75	0,75	1,5	2,5
6-8	18	16	14	12	0,75	1,0	2,5	4,0
8-10	18	16	14	12	0,75	1,0	2,5	4,0
10-12	16	16	14	12	1,0	2,5	4,0	—
12-16	14	12	—	—	—	—	—	—

Accessoires

- * Mandrin douille de 1/2 po
- * Clé à écrou de douille
- * Manchon adaptateur de 1/4 po
- * Sac de transport en toile (modèles 1827 et 1830 seulement)
- ** Guide de chant

- ** Buses d'extraction/de dépoussiérage
- ** Guides de gabarit
- ** Adaptateur de guide de gabarit

(* = équipement standard)

(** = accessoires en option)



Guide de diagnostic

▲ AVERTISSEMENT

Commencer par lire le mode d'emploi ! Débranchez le cordon d'alimentation de la prise de courant avant d'effectuer des réglages ou de monter des accessoires.

PROBLÈME : L'OUTIL NE DÉMARRE PAS.

CAUSES POSSIBLES :

1. Le cordon d'alimentation n'est pas branché.
2. Le fusible est grillé ou le disjoncteur est déclenché.
3. Le cordon d'alimentation est endommagé.
4. L'interrupteur est grillé.

SOLUTIONS :

1. Branchez l'outil dans une prise de courant.
2. Remplacer le fusible ou réenclencher le disjoncteur. (Si le produit cause le déclenchement du disjoncteur ou fait sauter le fusible de façon répétée, cessez immédiatement l'utilisation et faites-le réparer par une station service ou un centre de service Skil agréé.)
3. Inspecter le cordon pour évaluer les dommages possibles. En cas d'endommagement, faire remplacer le cordon par un Centre de service ou une station service Skil agréé.
4. Faire remplacer l'interrupteur par un Centre de service ou une station service Skil agréé.

PROBLÈME : L'OUTIL NE TOURNE PAS À UNE VITESSE SUFFISANTE.

CAUSES POSSIBLES :

1. Le cordon de rallonge a un calibre insuffisant ou est trop long.
2. Si l'outil comporte une commande de vitesse variable, il est possible qu'elle n'ait pas été réglée sur la vitesse maximum.
3. La tension secteur est insuffisante.

SOLUTIONS :

1. Utiliser une rallonge adéquate (Page 34).
2. Si l'outil comporte une commande de vitesse variable, vérifiez le réglage de la vitesse.
3. Contacter la compagnie d'électricité.

PROBLÈME : L'ACCESSOIRE SE COINCE, IMMOBILISE LE MOTEUR OU PRODUIT UN CHOC EN RETOUR LORS DU TOUILLAGE

CAUSES POSSIBLES :

1. La mèche n'est pas placée correctement dans la douille.
2. La mèche est endommagée ou émoussée.
3. La coupe est trop ambitieuse pour une seule passe.
4. La vitesse de touillage est incorrecte pour l'application.
5. La toupie est introduite dans un sens incorrect ou à une vitesse inappropriée.

SOLUTIONS :

1. Lisez la section de ce mode d'emploi consacrée à l'installation d'une mèche de toupie (page 26).
2. Jetez cet accessoire et remplacez-le par un nouvel accessoire.
3. Ajustez la profondeur de la mèche conformément au réglage approprié, comme cela est indiqué dans la section de ce mode d'emploi consacrée au fonctionnement (pages 28-29), ou comme cela est recommandé par le fabricant de l'accessoire.
4. Consultez le tableau des vitesses de fonctionnement des mèches pour des recommandations sur l'application (page 30).
5. Lisez la section de ce mode d'emploi consacrée à l'alimentation de la toupie pour des conseils quant à l'alimentation (page 30).





Advertencias generales de seguridad para herramientas mecánicas



ADVERTENCIA

Lea todas las advertencias de seguridad y todas las instrucciones. Si no se siguen las advertencias e instrucciones, el resultado podría ser sacudidas eléctricas, incendio y/o lesiones graves.

GUARDE TODAS LAS ADVERTENCIAS E INSTRUCCIONES PARA REFERENCIA FUTURA

La expresión “herramienta mecánica” en las advertencias se refiere a su herramienta mecánica alimentada por la red eléctrica (herramienta alámbrica) o su herramienta mecánica alimentada por baterías (herramienta inalámbrica).

Seguridad del área de trabajo

Mantenga el área de trabajo limpia y bien iluminada. Las áreas desordenadas u oscuras invitan a que se produzcan accidentes.

No utilice herramientas mecánicas en atmósferas explosivas, como por ejemplo en presencia de líquidos, gases o polvos inflamables. Las herramientas mecánicas generan chispas que pueden incendiar el polvo o los vapores.

Mantenga alejados a los niños y a las personas que estén presentes mientras esté utilizando una herramienta mecánica. Las distracciones pueden hacerle perder el control de la herramienta.

Seguridad eléctrica

Los enchufes de las herramientas mecánicas deben coincidir con el tomacorriente. No modifique nunca el enchufe de ningún modo. No use enchufes adaptadores con herramientas mecánicas conectadas a tierra (puestas a tierra). Los enchufes no modificados y los tomacorrientes coincidentes reducirán el riesgo de sacudidas eléctricas.

Evite el contacto del cuerpo con las superficies conectadas o puestas a tierra, tales como tuberías, radiadores, estufas y refrigeradores. Hay un aumento del riesgo de sacudidas eléctricas si el cuerpo del operador se conecta o pone a tierra.

No esponga las herramientas mecánicas a la lluvia o a condiciones mojadas. La entrada de agua en una herramienta mecánica aumentará el riesgo de que se produzcan sacudidas eléctricas.

No maltrate el cordón de energía. No use nunca el cordón para transportar la herramienta mecánica, tirar de ella o desenchufarla. Mantenga el cordón alejado del calor, el aceite, los bordes afilados o las piezas móviles. Los cordones dañados o enganchados aumentan el riesgo de que se produzcan sacudidas eléctricas.

Cuando utilice una herramienta mecánica en el exterior, use un cordón de extensión adecuado para uso a la intemperie. La utilización de un cordón adecuado para uso a la intemperie reduce el riesgo de que se produzcan sacudidas eléctricas.

Si es inevitable utilizar una herramienta mecánica en un lugar húmedo, utilice una fuente de energía

protegida por un interruptor de circuito accionado por corriente de pérdida a tierra (GFCI). El uso de un GFCI reduce el riesgo de sacudidas eléctricas.

Seguridad personal

Manténgase alerta, fíjese en lo que está haciendo y use el sentido común cuando esté utilizando una herramienta mecánica. No use una herramienta mecánica cuando esté cansado o bajo la influencia de drogas, alcohol o medicamentos. Un momento de distracción mientras esté utilizando herramientas mecánicas podría causar lesiones corporales graves.

Use equipo de protección personal. Use siempre protección de los ojos. El equipo de protección, como por ejemplo una máscara antipolvo, calzado de seguridad antideslizante, casco o protección de oídos, utilizado para las condiciones apropiadas, reducirá las lesiones corporales.

Evite el arranque accidental. Asegúrese de que el interruptor esté en la posición de apagado antes de conectar la herramienta a la fuente de energía y / o al paquete de batería, levantar la herramienta o transportarla. Transportar herramientas mecánicas con un dedo en el interruptor o encender herramientas mecánicas que tengan el interruptor en la posición de encendido invita a que se produzcan accidentes.

Quite todas las llaves de ajuste o de tuerca antes de encender la herramienta mecánica. Una llave de tuerca o de ajuste que se deje colocada en una pieza giratoria de la herramienta mecánica podría causar lesiones corporales.

No intente alcanzar demasiado lejos. Mantenga un apoyo de los pies y un equilibrio apropiados en todo momento. Esto permite controlar mejor la herramienta mecánica en situaciones inesperadas.

Vístase adecuadamente. No use ropa holgada ni alhajas holgadas. Mantenga el pelo, la ropa y los guantes alejados de las piezas móviles. La ropa holgada, las alhajas holgadas o el pelo largo pueden quedar atrapados en las piezas móviles.

Si se proporcionan dispositivos para la conexión de instalaciones de extracción y recolección de polvo, asegúrese de que dichas instalaciones estén conectadas y se usen correctamente. El uso de dispositivos de recolección de polvo puede reducir los peligros relacionados con el polvo.





Uso y cuidado de las herramientas mecánicas

No fuerce la herramienta mecánica. Use la herramienta mecánica correcta para la aplicación que desee realizar. La herramienta mecánica correcta hará el trabajo mejor y con más seguridad a la capacidad nominal para la que fue diseñada.

No use la herramienta mecánica si el interruptor no la enciende y apaga. Toda herramienta mecánica que no se pueda controlar con el interruptor es peligrosa y debe ser reparada.

Desconecte el enchufe de la fuente de energía y/o el paquete de batería de la herramienta mecánica antes de hacer cualquier ajuste, cambiar accesorios o almacenar herramientas mecánicas. Dichas medidas preventivas de seguridad reducen el riesgo de arrancar accidentalmente la herramienta mecánica.

Guarde las herramientas que no esté usando fuera del alcance de los niños y no deje que personas que no estén familiarizadas con la herramienta mecánica o con estas instrucciones utilicen la herramienta. Las herramientas mecánicas son peligrosas en manos de usuarios que no hayan recibido capacitación.

Mantenga las herramientas mecánicas. Compruebe si hay piezas móviles desalineadas o que se atoran, si

hay piezas rotas y si existe cualquier otra situación que podría afectar el funcionamiento de la herramienta mecánica. Si la herramienta mecánica está dañada, haga que la reparen antes de usarla. Muchos accidentes son causados por herramientas mecánicas mantenidas deficientemente.

Mantenga las herramientas de corte afiladas y limpias. Es menos probable que las herramientas de corte mantenidas apropiadamente, con bordes de corte afilados, se atoren, y dichas herramientas son más fáciles de controlar.

Utilice la herramienta mecánica, los accesorios, las brocas de la herramienta, etc., de acuerdo con estas instrucciones, teniendo en cuenta las condiciones de trabajo y el trabajo que se vaya a realizar. El uso de la herramienta mecánica para operaciones distintas a aquéllas para las que fue diseñada podría causar una situación peligrosa.

Servicio de ajustes y reparaciones

Haga que su herramienta mecánica reciba servicio de un técnico de reparaciones calificado, utilizando únicamente piezas de repuesto idénticas. Esto asegurará que se mantenga la seguridad de la herramienta mecánica.

Normas de seguridad para fresadoras

Sujete siempre la herramienta mecánica por las superficies de agarre aisladas al realizar una operación en la que la herramienta de corte pueda entrar en contacto con cables ocultos o con su propio cordón. El contacto con un cable con corriente transmitirá corriente a las piezas metálicas al descubierto y hará que el operador reciba sacudidas eléctricas.

Use abrazaderas u otro modo práctico de sujetar y soportar la pieza de trabajo en una plataforma estable. Si se sujeta la pieza de trabajo con la mano o contra el cuerpo, se crea una situación inestable que podría causar pérdida de control.

Asegúrese siempre de que la superficie de trabajo no tenga clavos ni otros objetos extraños. El corte de un clavo puede hacer que la broca y la herramienta salten y que la broca se dañe.

Nunca tenga la pieza de trabajo en una mano y la herramienta en la otra al utilizarla. Nunca ponga las manos cerca o debajo de la superficie de corte. Es más seguro fijar con abrazaderas el material y guiar la herramienta con ambas manos.

Nunca ponga la pieza de trabajo sobre superficies duras, tales como hormigón, piedra, etc... la broca de

corte que sobresale podrá hacer que la herramienta salte.

Use siempre gafas de seguridad y máscara antipolvo. Use la herramienta únicamente en un área bien ventilada. La utilización de dispositivos de seguridad personal y el trabajar en un entorno seguro reducen el riesgo de que se produzcan lesiones.

Después de cambiar las brocas o de hacer ajustes, asegúrese de que la tuerca del portaherramienta y otros dispositivos de ajuste estén apretados firmemente. Un dispositivo de ajuste flojo puede desplazarse inesperadamente, causando pérdida de control, y los componentes giratorios flojos saldrán despedidos violentamente.

Nunca arranque la herramienta cuando la broca esté acoplada en el material. El borde de corte de la broca puede engancharse en el material, causando pérdida de control de la cortadora.

Sujete siempre la herramienta con las dos manos durante el arranque. El par de reacción del motor puede hacer que la herramienta se tuerza.

El sentido de avance de la broca en el material es muy importante y está relacionado con el sentido de





giro de la broca. Al mirar a la herramienta desde arriba, la broca gira en el sentido de las agujas del reloj. El sentido de avance de corte debe ser en contra de las agujas del reloj. NOTA: Los cortes interiores y exteriores requerirán un sentido de avance distinto; consulte la sección sobre avance de la fresadora. El hacer avanzar la herramienta en sentido incorrecto hace que el borde de corte de la broca se salga de la pieza de trabajo y tire de la herramienta en el sentido de este avance.

Nunca use brocas desafiladas o dañadas. Las brocas afiladas se deben manejar con cuidado. Las brocas dañadas pueden romperse bruscamente durante el uso. Las brocas desafiladas requieren más fuerza para

empujar la herramienta, con lo que es posible que la broca se rompa.

Nunca toque la broca durante ni inmediatamente después de la utilización. Después del uso, la broca está demasiado caliente como para tocarla con las manos desnudas.

Nunca deje la herramienta hasta que el motor se haya detenido por completo. La broca que gira puede engancharse en la superficie y tirar de la herramienta haciendo que usted pierda el control.

Nunca utilice brocas que tengan un diámetro de corte mayor que la abertura de la base.

Advertencias de seguridad adicionales

Un GFCI y los dispositivos de protección personal, como guantes de goma y calzado de goma de electricista, mejorarán más su seguridad personal.

No use herramientas mecánicas con capacidad nominal solamente para CA con una fuente de energía de CC. Aunque pueda parecer que la herramienta funciona correctamente, es probable que los componentes eléctricos de la herramienta con capacidad nominal para CA fallen y creen un peligro para el operador.

Mantenga los mangos secos, limpios y libres de aceite y grasa. Las manos resbalosas no pueden controlar de modo seguro la herramienta mecánica.

Desarrolle un programa de mantenimiento periódico de la herramienta. Cuando limpie una herramienta, tenga cuidado de no desmontar ninguna de sus partes, ya que los cables internos podrían reubicarse incorrectamente o pellizcarse, o los resortes de retorno de los protectores de seguridad podrían montarse incorrectamente. Ciertos agentes de limpieza, tales como gasolina, tetracloruro de carbono, amoníaco, etc., podrían dañar las piezas de plástico.

Riesgo de lesiones para el usuario. El cordón de energía debe recibir servicio de ajustes y reparaciones solamente por un Centro de Servicio de Fábrica Skil o una Estación de Servicio Skil Autorizada.

⚠ ADVERTENCIA Cierta polvo generado por el lijado, aserrado, amolado y taladrado mecánicos, y por otras actividades de construcción, contiene agentes químicos que se sabe que causan cáncer, defectos de nacimiento u otros daños sobre la reproducción. Algunos ejemplos de estos agentes químicos son:

- Plomo de pinturas a base de plomo,
- Sílice cristalina de ladrillos y cemento y otros productos de mampostería, y
- Arsénico y cromo de madera tratada químicamente.

Su riesgo por causa de estas exposiciones varía, dependiendo de con cuánta frecuencia realice este tipo de trabajo. Para reducir su exposición a estos agentes químicos: trabaje en un área bien ventilada y trabaje con equipo de seguridad aprobado, como por ejemplo máscaras antipolvo que estén diseñadas especialmente para impedir mediante filtración el paso de partículas microscópicas.



Símbolos

IMPORTANTE: Es posible que algunos de los símbolos siguientes se usen en su herramienta. Por favor, estúdielos y aprenda su significado. La interpretación adecuada de estos símbolos le permitirá utilizar la herramienta mejor y con más seguridad.

Símbolo	Nombre	Designación/explicación
V	Volt	Tensión (potencial)
A	Ampere	Corriente
Hz	Hertz	Frecuencia (ciclos por segundo)
W	Watt	Potencia
kg	Kilogramo	Peso
min	Minuto	Tiempo
s	Segundo	Tiempo
\varnothing	Diámetro	Tamaño de las brocas taladradoras, muelas, etc
n_0	Velocidad sin carga	Velocidad rotacional sin carga
n	Velocidad nominal	Máxima velocidad obtenible
.../min	Revoluciones o alternación por minuto	Revoluciones, golpes, velocidad de superficie, órbitas, etc., por minuto
0	Posición "off" (apagado)	Velocidad cero, par motor cero...
1, 2, 3, ... I, II, III,	Graduaciones del selector	Graduaciones de velocidad, par motor o posición. Un número más alto significa mayor velocidad
	Selector infinitamente variable con apagado	La velocidad aumenta desde la graduación de 0
	Flecha	Acción en la dirección de la flecha
	Corriente alterna	Tipo o una característica de corriente
	Corriente continua	Tipo o una característica de corriente
	Corriente alterna o continua	Tipo o una característica de corriente
	Construcción de clase II	Designa las herramientas de construcción con aislamiento doble.
	Terminal de toma de tierra	Terminal de conexión a tierra
	Símbolo de advertencia	Alerta al usuario sobre mensajes de advertencia
	Sello RBRC de Li-ion	Designa el programa de reciclaje de baterías de Li-ion
	Sello RBRC de Ni-Cd	Designa el programa de reciclaje de baterías de Ni-Cd
	Símbolo de lectura del manual	Alerta al usuario para que lea el manual
	Símbolo de uso de protección de los ojos	Alerta al usuario para que use protección de los ojos



Símbolos (continuación)

IMPORTANTE: Es posible que algunos de los símbolos siguientes se usen en su herramienta. Por favor, estúdielos y aprenda su significado. La interpretación adecuada de estos símbolos le permitirá utilizar la herramienta mejor y con más seguridad.



Este símbolo indica que esta herramienta está catalogada por Underwriters Laboratories.



Este símbolo indica que esta herramienta está reconocida por Underwriters Laboratories.



Este símbolo indica que Underwriters Laboratories ha catalogado esta herramienta indicando que cumple con las normas estadounidenses y canadienses.



Este símbolo indica que esta herramienta está catalogada por la Canadian Standards Association.



Este símbolo indica que la Canadian Standards Association ha catalogado esta herramienta indicando que cumple con las normas estadounidenses y canadienses.



Intertek

Este símbolo indica que Intertek Testing Services ha catalogado esta herramienta indicando que cumple con las normas estadounidenses y canadienses.



Este símbolo indica que esta herramienta cumple con la norma mexicana oficial (NOM).

Cumple con las siguientes normas:

Estándar UL 60745-1
Estándar UL 60745-2-17

Certificado conforme a las siguientes normas:

Estándar CAN/CSA C22.2 No. 60745-1
Estándar CAN/CSA C22.2 No. 60745-2-17



Descripción funcional y especificaciones

⚠ ADVERTENCIA Desconecte el enchufe de la fuente de energía antes de realizar cualquier ensamblaje o ajuste, o cambiar accesorios. Estas medidas de seguridad preventivas reducen el riesgo de arrancar la herramienta accidentalmente.

Fresadora de base fija

FIG. 1

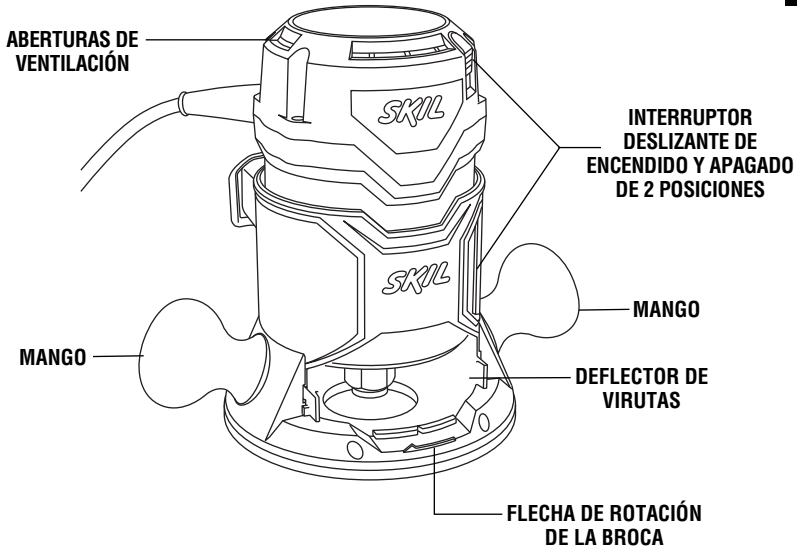
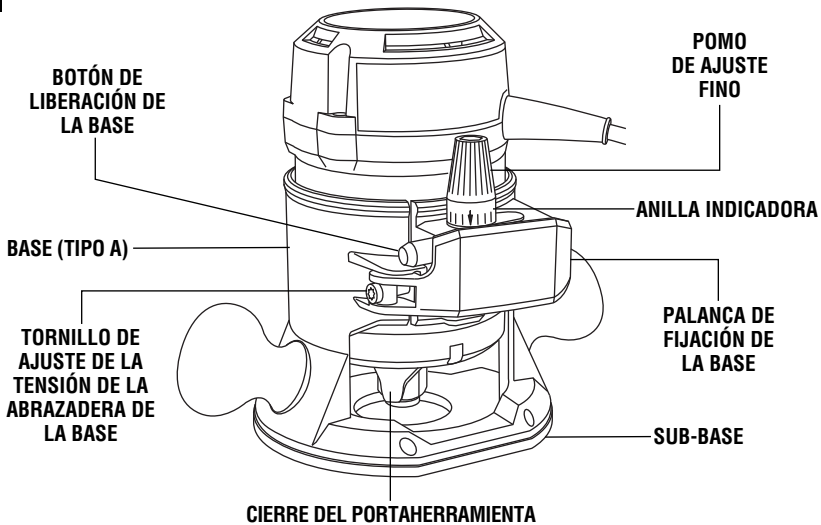


FIG. 2



Fresadora de descenso vertical

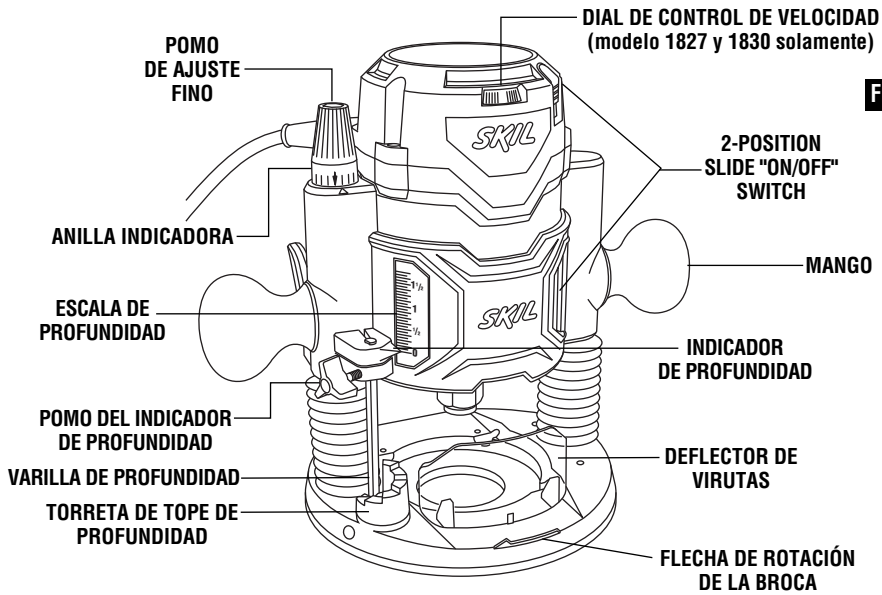


FIG. 3

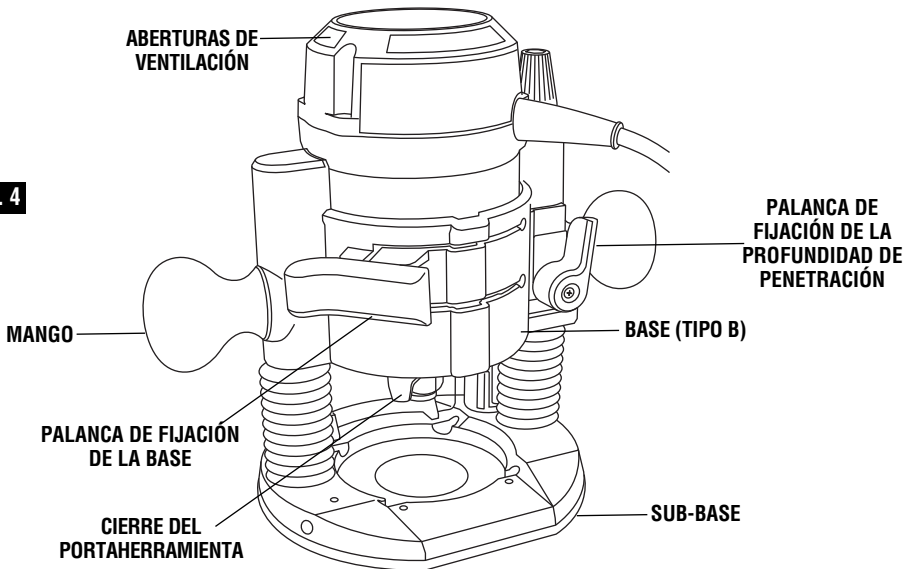


FIG. 4

Número de modelo	1817	1827	1830
Tensión nominal	120V ~ 60Hz	120V ~ 60Hz	120V ~ 60Hz
Amperaje nominal	9,5A	10A	10A
Velocidad sin carga	n_0 25 000/min	n_0 10 500-25 000/min	n_0 10 500-25 000/min
Capacidades de portaherramienta	1/4", 1/2"	1/4", 1/2"	1/4" y 1/2"

En los modelos 1810, 1815, 1820 y 1825, la unidad de motor de la fresadora se debe utilizar con una base fija tipo A o una base de descenso vertical tipo B.

Ensamblaje

Un amplio surtido de brocas de fresadora con diferentes perfiles se encuentra disponible por separado.

⚠ ADVERTENCIA Para prevenir lesiones personales, saque siempre el enchufe de la fuente de energía antes de quitar o instalar brocas o accesorios.

INSTALACIÓN DE UNA BROCA DE FRESADORA

Coloque la fresadora en posición invertida de manera que su parte de arriba descance en el banco de trabajo. Otra opción es quitar el motor de la base antes de instalar la broca.

1. Quite el escudo antivirutas.
2. Presione el cierre del portaherramienta para detener la rotación del eje del inducido. **NOTA:** Es posible que sea necesario girar el conjunto de mandril portaherramienta para acoplar el cierre del portaherramienta (Fig. 5).
3. Luego, use la llave de tuerca del portaherramienta para aflojar la tuerca del portaherramienta en sentido contrario al de las agujas del reloj según se ve desde debajo de la fresadora.
4. Introduzca el cuerpo de la broca de fresadora en el conjunto de mandril portaherramienta tanto como se pueda y luego haga retroceder el cuerpo de la broca hacia afuera hasta que los cortadores estén a una distancia de aproximadamente 1/8" a 1/4" de la cara de la tuerca del portaherramienta.
5. Con la broca de fresadora introducida y el cierre del portaherramienta sujetando el eje del inducido, use la llave de tuerca del portaherramienta para apretar firmemente la tuerca del portaherramienta en el sentido

de las agujas del reloj (según se ve desde debajo de la fresadora). Para asegurar un agarre apropiado de la broca de fresadora, el cuerpo de dicha broca debe ser insertado por lo menos 5/8 de pulgada en el portaherramienta.

⚠ ADVERTENCIA Cuando la guía de plantilla se haya quitado de la base, no use brocas de fresadora de más de 2" de diámetro, ya que dichas brocas no cabrán a través de la subbase.

⚠ PRECAUCIÓN Para evitar daños a la herramienta, no apriete la tuerca del portaherramienta sin tener una broca introducida.

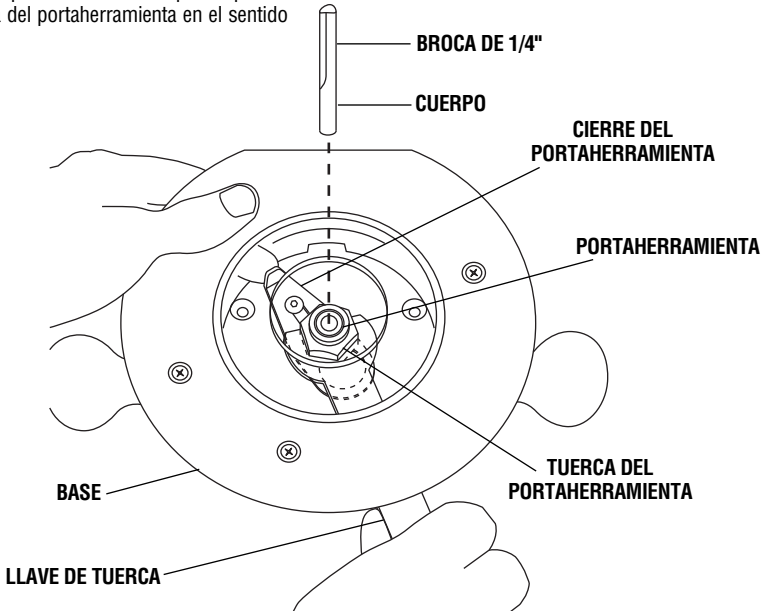
NOTA: El cuerpo de la broca de fresadora y el mandril portaherramienta deben estar limpios y libres de polvo, residuo de madera y grasa antes de realizar el ensamblaje.

REMOCIÓN DE LA BROCA DE FRESADORA

1. Presione el cierre del portaherramienta para detener la rotación del eje del inducido y gire el conjunto de mandril portaherramienta en sentido contrario al de las agujas del reloj.
2. Una vez que el conjunto de mandril portaherramienta esté aflojado, siga girando dicho conjunto de mandril portaherramienta hasta que tire del portaherramienta y lo suelte de su pieza cónica. Entonces se podrá quitar la broca de fresadora.

NOTA: El mandril portaherramienta es autoextraíble; NO es necesario golpear el mandril portaherramienta para soltar la broca de fresadora.

FIG. 5



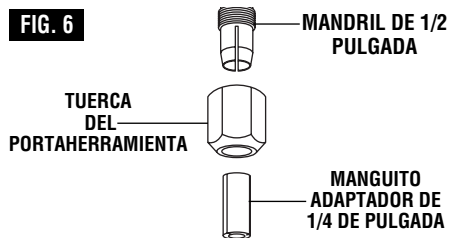
CUIDADO DEL MANDRIL PORTAHERRAMIENTA

Todos los modelos de fresadora están diseñados para aceptar brocas con cuerpo de 1/2 pulgada y 1/4 de pulgada. Las brocas con cuerpo de 1/4 de pulgada requieren un manguito adaptador de 1/4 de pulgada. Con la broca de fresadora retirada, siga girando la tuerca del portaherramienta en sentido contrario al de las agujas del reloj hasta que esté floja. Para asegurarse de lograr un agarre firme, sople ocasionalmente el mandril portaherramienta con aire comprimido y límpielo con un pañuelo de papel o un cepillo fino. El conjunto de mandril portaherramienta consta de dos piezas componentes, tal y como se muestra en la ilustración (Fig. 6); asegúrese de que el manguito adaptador, si se necesita, esté asentado apropiadamente en la tuerca del portaherramienta y

enrosque ligeramente la tuerca del portaherramienta de vuelta en el mandril portaherramienta de 1/2 pulgada. Reemplace inmediatamente un conjunto de mandril portaherramienta que esté desgastado o dañado.

CONJUNTO DE MANDRIL PORTAHERRAMIENTA

FIG. 6



REMOCIÓN DEL MOTOR DE LA BASE

Para retirar el motor de la base fija:

1. Sostenga la fresadora en posición vertical.
2. Abra la palanca de fijación de la base.
3. Presione el botón de liberación de la base en el sentido de la flecha y jale la unidad del motor hacia arriba para separarla de la base. Justo antes de que el motor esté completamente fuera de la base, dejará de moverse.
4. Presione el cierre del portaherramienta para desacoplar completamente la unidad del motor de la base (Fig. 7).

Para retirar el motor de la base de descenso vertical:

1. Sostenga la fresadora en posición vertical.
2. Abra la palanca de fijación de la base y jale la unidad del motor hacia arriba para separarla de la base. Justo antes de que el motor esté completamente fuera de la base, dejará de moverse.
3. Presione completamente el cierre del portaherramienta para desacoplar la unidad del motor de la base (Fig. 8).

INSTALACIÓN DEL MOTOR EN LA BASE

Para instalar el motor en la base fija:

1. Suelte la palanca de fijación de la base.
2. Presione el cierre del portaherramienta ubicado en la unidad del motor.
3. Alinee la cremallera de ajuste fino con el pomo de ajuste fino.
4. Presione el botón de liberación de la base y deslice la unidad del motor hasta que la parte superior de la cremallera de ajuste fino esté nivelada con la parte superior de la base.
5. Bloquee la palanca de fijación de la base.

Para instalar el motor en la base de descenso vertical:

1. Suelte la palanca de fijación de la base.
2. Presione el cierre del portaherramienta ubicado en la unidad del motor.
3. Alinee la cremallera de ajuste fino con la ranura ubicada en la parte trasera de la base de descenso vertical.
4. Deslice la unidad del motor al interior de la base

hasta que esté completamente asentada.

5. Bloquee la palanca de fijación de la base.

FIG. 7

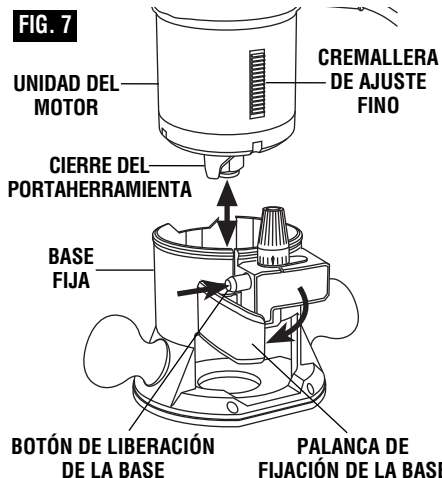
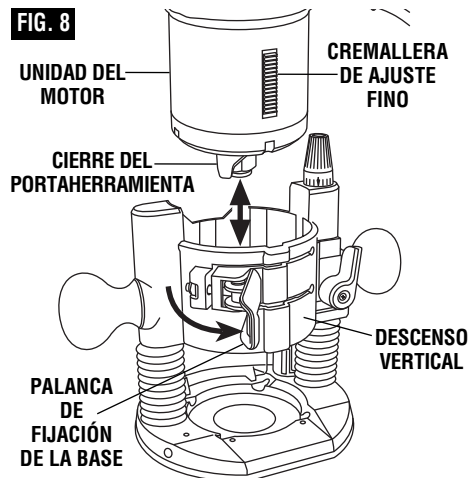


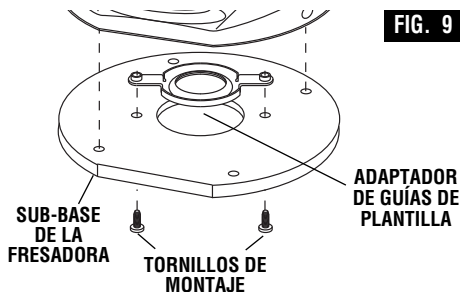
FIG. 8



INSTALACIÓN DEL ADAPTADOR DE GUÍAS DE PLANTILLA (no incluido, disponible como accesorio)

Coloque el adaptador de guías de plantilla sobre los agujeros ubicados en el centro de la subbase y alinee los dos agujeros roscados ubicados en la parte inferior del adaptador con los agujeros avellanados ubicados en la subbase. Sujete el adaptador con los tornillos suministrados (Fig. 9).

Para asegurar una alineación apropiada de la guía de plantilla con el eje del inducido, se debe utilizar un cono centrador (accesorio opcional).



DEFLECTOR DE VIRUTAS

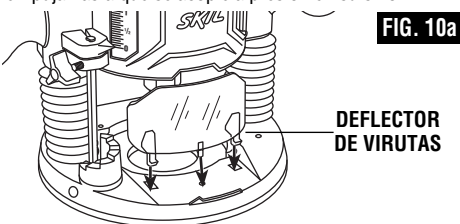
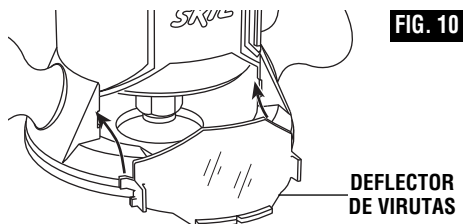
ADVERTENCIA Use siempre protección de los ojos. El deflector de virutas no está diseñado para utilizarse como protector de seguridad.

Los deflectores de virutas ayudan a mantener el polvo y las virutas alejados de la cara del operador. No detienen objetos de tamaño mayor que el polvo que es lanzado por la broca.

Para retirar el escudo antivirutas de la base fija, presione hacia dentro sobre las lengüetas del deflector hasta que el escudo se suelte de la base y retírelo. Para

instalarlo, coloque el deflector en la posición correcta, de la manera que se muestra en la ilustración (Fig. 10). Luego, presione hacia el interior de las lengüetas del deflector mientras empuja hasta que el deflector se acople a presión en su sitio.

Para retirar el escudo antivirutas de la base de descenso vertical, presione hacia dentro sobre cualquiera de los dos lados del deflector hasta que éste se suelte de la base y retírelo. Para instalarlo, coloque el deflector en la posición correcta, de la manera que se muestra en la ilustración (Fig. 10a). Luego, presione hacia el interior del deflector en cualquiera de los dos lados mientras empuja hasta que se acople a presión en su sitio.



Instrucciones de funcionamiento

Las fresadoras Skil están diseñadas para brindar velocidad, precisión y conveniencia en la realización de trabajo de ebanistería, fresado, estriado, ribeteado, corte de molduras cóncavas, colas de milano, etc. Estas fresadoras le permitirán realizar trabajo de incrustación, bordes decorativos y muchos tipos de tallado especial.

AJUSTE DE PROFUNDIDAD CON POMO DE AJUSTE FINO DE LA BASE FIJA

El pomo de ajuste fino permite realizar ajustes precisos de la altura de la broca en la fresadora.

Para utilizar el dispositivo ajuste fino, suelte la palanca de fijación de la base y gire el pomo en el sentido de las agujas del reloj para bajar la broca o en sentido contrario al de las agujas del reloj para subirla (Fig. 2).

Tenga presente que una vuelta completa del pomo subirá o bajará la broca aproximadamente 1/16 de pulgada. Después de realizar ajustes de profundidad, fije de nuevo el motor.

NOTA: Todos los ajustes de profundidad se deben realizar teniendo suelta la palanca de fijación de la base.

CORTES PROFUNDOS

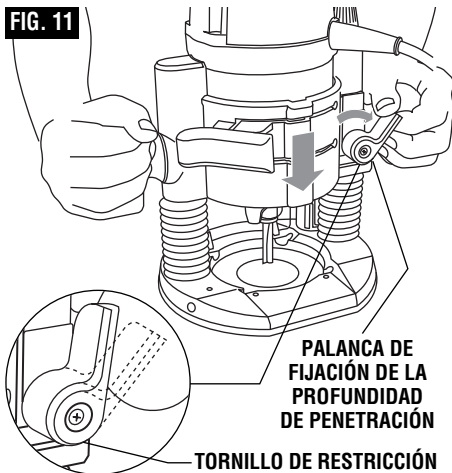
Para realizar cortes más profundos, haga varios cortes progresivamente más profundos comenzando a una profundidad y haciendo luego varias pasadas subsiguientes, aumentando la profundidad de corte con cada pasada.

Para asegurarse de que los ajustes de profundidad sean los deseados, es posible que quiera hacer cortes de prueba en material de desecho antes de comenzar el trabajo.

AJUSTE DE PROFUNDIDAD CON ACCIÓN DE DESCENSO VERTICAL DE LA BASE DE DESCENSO VERTICAL

El dispositivo de descenso vertical simplifica los ajustes de profundidad y permitirá que la broca de corte entre de manera fácil y precisa en la pieza de trabajo. Para bajar, afloje la palanca de fijación de la profundidad de penetración (Fig. 11), ejerza presión

hacia abajo hasta que alcance la profundidad deseada y luego apriete la palanca de fijación de la profundidad de penetración. Afloje la palanca y reduzca la presión, y la fresadora retraerá automáticamente la broca de la pieza de trabajo. Es aconsejable retraer la broca siempre que ésta no esté acoplada en la pieza de trabajo.

FIG. 11

PALANCA DE FIJACIÓN DE LA PROFUNDIDAD DE PENETRACIÓN

TORNILLO DE RESTRICCIÓN

AJUSTE DE LA PALANCA DE FIJACIÓN DE LA PROFUNDIDAD DE PENETRACIÓN

Usted puede ajustar o reubicar la palanca de fijación de la profundidad de penetración para obtener comodidad o compensar el desgaste.

1. Con la palanca de fijación de la profundidad de penetración en la posición bloqueada (posición hacia arriba), retire (girando en sentido contrario al de las agujas del reloj) el tornillo de retención ubicado en el centro de la palanca.
2. Mueva la palanca hasta la ubicación deseada, reinstale el tornillo de restricción y la arandela, y apriete el tornillo (en el sentido de las agujas del reloj).

VARILLA DE PROFUNDIDAD Y TORRETA DE PROFUNDIDAD

La varilla de profundidad y la torreta de tope de profundidad se utilizan para controlar la profundidad de corte de la manera siguiente:

1. Con la broca instalada, baje suavemente el motor hasta que la punta de la broca de fresadora justo entre en contacto con la superficie nivelada sobre la que la fresadora esté apoyada. Ésta es la posición "cero", desde la cual se pueden hacer ajustes adicionales de manera precisa.
2. Para ajustar una profundidad de corte deseada, rote la torreta de tope de profundidad hasta que el escalón más bajo esté alineado con la varilla de profundidad. Afloje el pomo del indicador de profundidad y baje la varilla de profundidad hasta que entre en contacto con el escalón más bajo de la torreta. Deslice el indicador de profundidad hasta que el indicador de línea señale hacia el cero de la escala de profundidad,

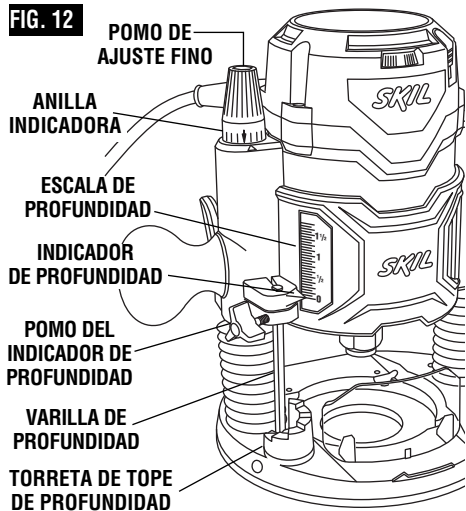
indicando el punto en el cual la broca justo entra en contacto con la pieza de trabajo (Fig. 12).

3. Para ajustar una profundidad de corte deseada, deslice la varilla de profundidad hacia arriba hasta que el punto del indicador de profundidad alcance la profundidad de corte deseada y asegure la varilla en esa posición apretando firmemente el pomo del indicador de profundidad.
4. La profundidad de corte deseada se podrá lograr ahora bajando verticalmente la fresadora hasta que la varilla de profundidad entre en contacto con el tope seleccionado en la torreta.

CORTES PROFUNDOS

Para realizar cortes más profundos, haga varios cortes progresivamente más profundos comenzando con el escalón más alto de la torreta de profundidad y, después de cada corte, gire la torreta de profundidad a escalones progresivamente más bajos según se desee, hasta que se alcance la profundidad final (el escalón más bajo o la superficie plana). Los escalones progresan en incrementos de 1/8" de la manera siguiente.

Para estar seguro de que los ajustes de profundidad sean los deseados, es posible que quiera hacer cortes de prueba en material de desecho antes de comenzar el trabajo.

FIG. 12

AJUSTE DE PROFUNDIDAD CON POMO DE AJUSTE FINO DE LA BASE DE DESCENSO VERTICAL

El pomo ascendente de ajuste fino de la profundidad permite realizar ajustes precisos de la altura de la broca en la fresadora.

Para utilizar el dispositivo de ajuste fino, tire hacia arriba del pomo de ajuste fino y gire dicho pomo en el sentido de las agujas del reloj para bajar la broca, o en sentido contrario al de las agujas de reloj para subirla.

Tenga presente que una vuelta completa del pomo subirá o bajará la broca aproximadamente 1/16 de pulgada.

INTERRUPTOR DESLIZANTE DE ENCENDIDO Y APAGADO DE 2 POSICIONES

La herramienta se puede ENCENDER por medio del interruptor deslizable de 2 posiciones ubicado en el lado superior e inferior derecho del motor (Fig. 1).

PARA ENCENDER LA HERRAMIENTA, deslice el interruptor inferior o superior hacia ARRIBA hasta la posición I.

PARA APAGAR LA HERRAMIENTA, deslice el interruptor superior o inferior hacia abajo hasta la posición O.

Sostenga siempre la fresadora separada de la pieza de trabajo cuando ponga el interruptor en la posición de encendido o apagado. Haga que la fresadora entre en contacto con la pieza de trabajo después de que la fresadora haya alcanzado la velocidad deseada y retírela de la pieza de trabajo antes de poner el interruptor en la posición de apagado. La utilización de esta manera prolongará la duración del interruptor y del motor, y aumentará enormemente la calidad de su trabajo.

Sujete siempre la herramienta con las dos manos mientras la pone en marcha, ya que el par de fuerzas del motor puede hacer que la herramienta se tuerza.

DISPOSITIVO DE ARRANQUE SUAVE (incluido en todos los modelos)

El control electrónico de retroacción minimiza la torsión debida al par motor habitual en las fresadoras más grandes, al limitar la velocidad a la que el motor arranca.

CONTROL ELECTRÓNICO DE VELOCIDAD VARIABLE (modelos 1827 y 1830 solamente)

El dispositivo de control electrónico de velocidad variable permite ajustar la velocidad del motor al tamaño del cortador y a la dureza del material para lograr un acabado mejor, una duración prolongada de la broca y un mayor rendimiento. Los cambios de velocidad se realizan girando el dial para ubicarlo sobre cualquiera de los seis números o entre ellos (Fig. 3). La velocidad se puede cambiar mientras la herramienta está encendida. Los números de referencia que están en el dial facilitan el reajuste del control a la velocidad deseada.

El cuadro de velocidades indica la relación entre las posiciones de velocidad y la aplicación; las posiciones exactas son determinadas por la experiencia y la preferencia del operador. Es posible que el fabricante de la broca también tenga recomendaciones sobre las velocidades.

POSICIÓN DEL DIAL	RPM	APLICACIÓN
1	10,500	} Metales no ferrosos, brocas y cortadores de diámetro más grande
2	13,500	
3	16,500	
4	20,000	} Maderas blandas, plásticos, tableros de mostrador, brocas y cortadores de diámetro más pequeño
5	21,500	
6	25,000	

LUZ SITE-LIGHT™

La herramienta está equipada también con una luz Site-Light™ para brindar mejor visibilidad durante la operación (Fig. 2).

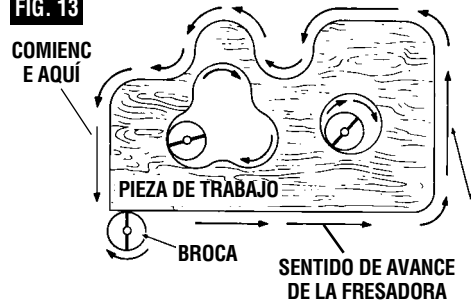
Al enchufar la herramienta, las luces se encenderán automáticamente.

La luz Site-Ligh™ no necesita mantenimiento y se diseñó para durar toda la vida de la herramienta.

AVANCE DE LA FRESADORA

Según se ve al mirar desde arriba de la fresadora, la broca gira en el sentido de las agujas del reloj y los bordes de corte están orientados correspondientemente. Por lo tanto, el corte más eficiente se realiza haciendo avanzar la fresadora de manera que la broca gire hacia la pieza de trabajo y no alejándose se ella. En la Figura 13 se muestra el avance apropiado para diversos cortes. Qué tan rápido se hace avanzar la fresadora depende de la dureza del material y del tamaño del corte. Para algunos materiales, lo mejor es realizar varios cortes con una profundidad cada vez mayor.

FIG. 13



Si la fresadora es difícil de controlar, se calienta, funciona muy lentamente o deja un corte imperfecto, considere estas causas:

1. Sentido incorrecto de avance: Difícil de controlar.
2. Avance demasiado rápido: Sobrecarga el motor.
3. Broca desafilada: Sobrecarga el motor.
4. El corte es demasiado grande para una pasada: Sobrecarga el motor.
5. Avance demasiado lento: Deja quemaduras de fricción en la pieza de trabajo.

Haga avanzar la fresadora de modo suave y firme (no la fuerce). Pronto aprenderá la sensación y el sonido de la fresadora cuando ésta funciona óptimamente.

VELOCIDAD DE AVANCE

Cuando frese o realice trabajo relacionado en madera y plásticos, los mejores acabados se obtendrán si la profundidad de corte y la velocidad de avance se regulan para mantener el motor funcionando a alta velocidad. Haga avanzar la fresadora a una velocidad moderada. Los materiales blandos requieren una velocidad de avance más rápida que los materiales duros.

La fresadora podría detenerse si se utiliza incorrectamente o si se sobrecarga. Reduzca la velocidad de avance para evitar daños posibles a la herramienta.

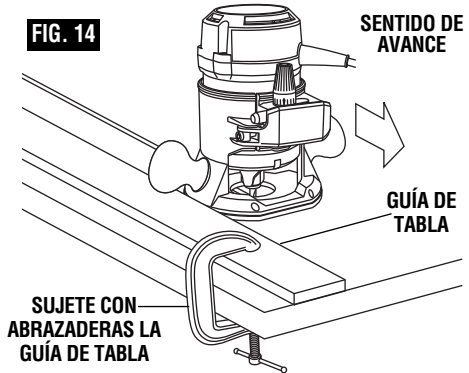
Asegúrese siempre de que el tuerca del portaherramienta esté firmemente apretado antes de utilizar la fresadora.

Utilice siempre brocas de fresadora con la longitud de corte más corta necesaria para producir el corte deseado. Esto minimizará el descentramiento y la vibración de la broca de fresadora.

GUIADO DE LA FRESADORA

La fresadora se puede guiar a través de la pieza de trabajo de cualquiera de varias maneras. El método que usted use depende, por supuesto, de las exigencias del trabajo específico y de la conveniencia.

En el caso de operaciones de fresado como corte de ranuras o corte de mortajas, a menudo es necesario guiar la herramienta en una línea paralela a un borde recto. Un método de obtener un corte recto es sujetar firmemente con abrazaderas una tabla u otro borde recto a la superficie de trabajo y guiar el borde de la subbase de la fresadora a lo largo de esta ruta (Fig. 14).



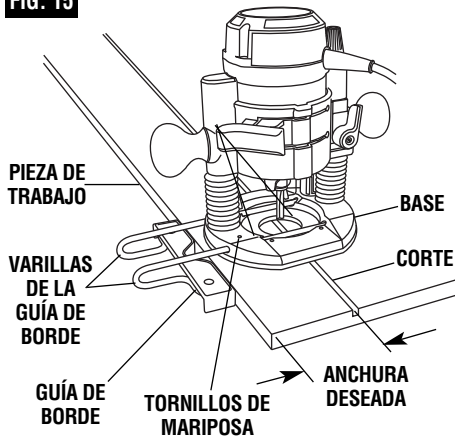
GUÍA DE BORDE RECTO Y CIRCULAR (no incluida, disponible como accesorio)

Utilice este práctico accesorio para realizar cortes curvos y rectos con facilidad y precisión.

COLOCACIÓN DE LA GUÍA

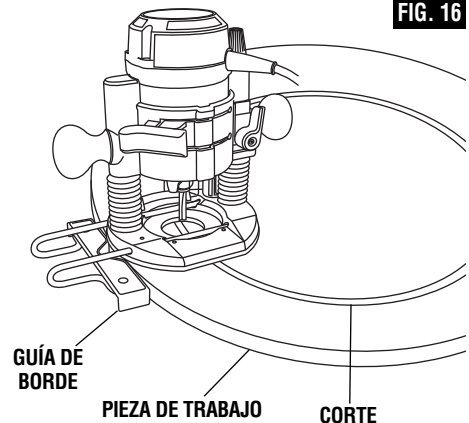
Introduzca las varillas de la guía de borde a través de los agujeros de la base, deslice la guía de borde hasta la anchura deseada, de la manera que se muestra en la Fig. 15, y sujétela firmemente en su sitio apretando el tornillo en la parte inferior de la fresadora.

FIG. 15



Un método de ubicar la guía es marcar el centro de la ranura que se va a cortar y colocar la fresadora en posición plana sobre la pieza de trabajo, de manera que la broca justo toque dicha pieza y esté alineada sobre el centro de la ranura. Lleve la guía hasta el borde de la pieza de trabajo y apriete firmemente los tornillos. Cuando tenga dudas sobre las dimensiones, haga un corte de prueba en material de desecho. Para guiar la fresadora a lo largo de un borde circular, la muesca ubicada en el centro de la guía de borde entrará en contacto con el material en los dos puntos que se muestran en la Fig. 16.

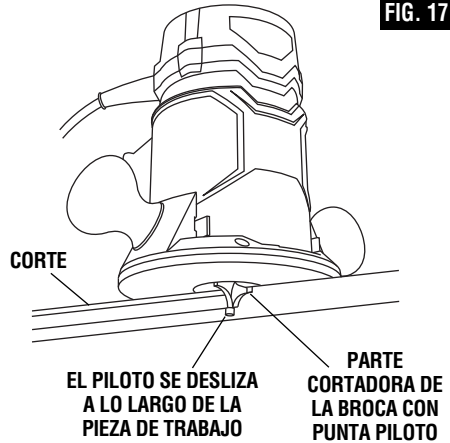
FIG. 16



BROCAS CON PUNTA PILOTO Y CON GUÍA DE COJINETE

La parte inferior de una broca con punta piloto, tal como se muestra en la Fig. 17, es un vástago que no tiene bordes de corte. Las brocas con guía de cojinete tienen un cojinete de bola para pilotar la broca.

Este piloto se desliza a lo largo del borde de la pieza de trabajo a medida que las cuchillas que giran hacen el corte, formando molduras o bordes decorativos. El borde sobre el que el piloto se desliza debe ser perfectamente liso, ya que todas las irregularidades se transfieren a la superficie conformada.



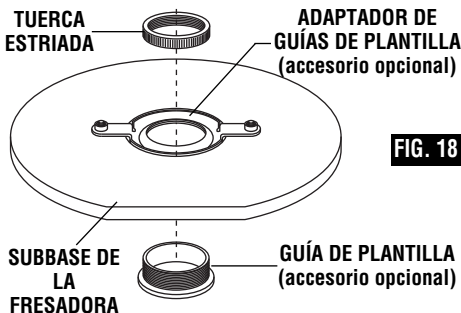
PLANTILLAS

La utilización de patrones de plantilla permite duplicar diseños o letras de modo uniforme una y otra vez. Esta técnica requiere el uso de un adaptador de guías de plantilla y una guía de plantilla.

GUÍAS DE PLANTILLA

(no incluidas, disponibles como accesorio)

La guía de plantilla mostrada en la Fig. 18 es esencialmente una placa con un collarín que se introduce a través del agujero de la subbase y del adaptador de guías de plantilla desde debajo y se sujeta con una tuerca de retención estriada. La guía de plantilla se desliza a lo largo del borde de la plantilla mientras que la broca de fresadora, que sobresale por debajo, corta penetrando en la pieza de trabajo.

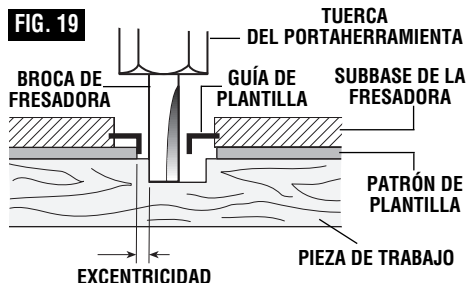


ATENCIÓN: Asegúrese de que el grosor de la plantilla sea el mismo o mayor que el de la superficie de guía del collarín.

No utilice una broca que pueda tocar el interior del collarín. Seleccione una broca que tenga un diámetro aproximadamente 1/16 de pulgada menor que la abertura del adaptador de la guía de plantilla.

Las guías de plantilla se utilizan con diversos accesorios especiales, como plantillas de bisagra, que se indican en el catálogo Skil. Además, es fácil preparar plantillas especiales para cortar patrones repetidos, diseños especiales, incrustaciones y otras aplicaciones. Un patrón de plantilla se puede hacer de madera contrachapada, tablero de aglomerado, metal o incluso plástico, y el diseño se puede cortar con una fresadora, una sierra caladora u otra herramienta de corte adecuada.

Recuerde que el patrón tendrá que hacerse de modo que se compense la distancia entre la broca de fresadora y la guía de plantilla (la "excentricidad"), ya que la pieza de trabajo final diferirá en tamaño del patrón de plantilla en esa cantidad, debido a la posición de la broca (Fig. 19).



RECOLECCIÓN DE POLVO DE LA FRESADORA

Hay dos accesorios de cubierta de extracción de polvo opcionales. Cada cubierta de extracción de polvo está dimensionada para aceptar mangueras de aspiración de 35 mm. Cada paquete de accesorios incluye el adaptador VAC002 que conectará la cubierta a mangueras de aspiración de 1-1/4" y 1-1/2".

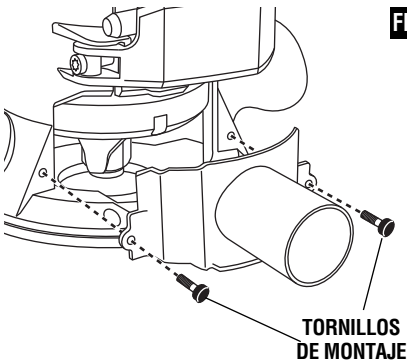
⚠ ADVERTENCIA Lea y entienda estas instrucciones y el manual de la herramienta para el uso de estos accesorios.

No ponga las manos en el área de la broca mientras la fresadora esté encendida o enchufada.

⚠ ADVERTENCIA Para evitar enredar las mangueras, no utilice esta cubierta de extracción de polvo al mismo tiempo que otra cubierta de extracción de polvo.

EXTRACCIÓN DE POLVO CON LA BASE FIJA (no incluidas, disponibles como accesorio)

Esta cubierta de extracción de polvo está diseñada para utilizarse con la base fija cuando el fresado se realiza en el centro de la pieza de trabajo, como por ejemplo al crear ranuras o fresar patrones para incrustaciones. Si



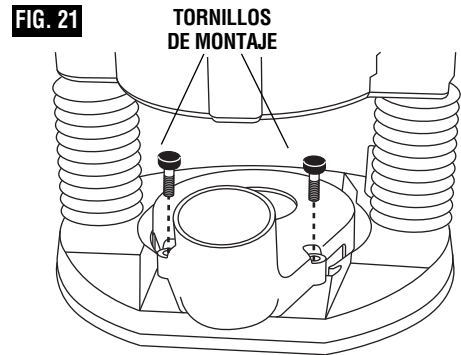
usted tiene un sistema de aspiración de taller, puede acoplar la cubierta de extracción de polvo para mejorar la visibilidad, la precisión y la utilidad, especialmente en el fresado a pulso.

Para acoplar la cubierta, posicónela de la manera que se muestra en la ilustración y sujete firmemente el adaptador a la base con los tornillos de montaje manual suministrados (Fig. 20).

EXTRACCIÓN DE POLVO CON LA BASE DE INMERSIÓN (no incluidas, disponibles como accesorio)

Esta cubierta de extracción de polvo está diseñada para utilizarse con la base de inmersión cuando el fresado se realiza en el centro de la pieza de trabajo, como por ejemplo al crear ranuras o fresar patrones para incrustaciones. Si usted tiene un sistema de aspiración de taller, puede acoplar la cubierta de extracción de polvo para mejorar la visibilidad, la precisión y la utilidad, especialmente en el fresado a pulso.

Para acoplar la cubierta, posicónela de la manera que se muestra en la ilustración y sujete firmemente el adaptador a la base con los tornillos de montaje manual suministrados (Fig. 21).



Mantenimiento

Servicio

⚠ ADVERTENCIA El mantenimiento preventivo realizado por personal no autorizado puede dar lugar a la colocación incorrecta de cables y componentes internos que podría constituir un peligro serio. Recomendamos que todo el servicio de las herramientas sea realizado por un Centro de servicio de fábrica Skil o por una Estación de servicio Skil autorizada.

LUBRICACIÓN DE LAS HERRAMIENTAS

Su herramienta Skil ha sido lubricada adecuadamente y está lista para la utilización. Se recomienda que las herramientas con engranajes se vuelvan a engrasar con

un lubricante especial para engranajes en cada cambio de escobillas.

ESCOBILLAS DE CARBÓN

Las escobillas y el conmutador de la herramienta han sido diseñados para muchas horas de servicio fiable. Para mantener un rendimiento óptimo del motor, recomendamos que cada dos a seis meses se examinen las escobillas. Sólo se deben usar escobillas de repuesto Skil genuinas diseñadas específicamente para su herramienta.

RODAMIENTOS

Después de 300-400 horas de funcionamiento, o después de cada segundo cambio de escobillas, los

rodamientos deben cambiarse en un Centro de servicio de fábrica Skil o en una Estación de servicio Skil autorizada. Los rodamientos que se vuelven ruidosos (debido a la pesada carga o al corte de materiales muy abrasivos) deben ser sustituidos inmediatamente para evitar el sobrecalentamiento o el fallo del motor.

Limpieza

⚠ ADVERTENCIA Para evitar accidentes desconecte siempre la herramienta de la fuente de energía antes de la limpieza o de la realización de cualquier mantenimiento. La herramienta se puede limpiar más eficazmente con aire

comprimido seco. **Use gafas de seguridad siempre que limpie herramientas con aire comprimido.**

Las aberturas de ventilación y las palancas de interruptor deben mantenerse limpias y libres de materias extrañas. No intente limpiar introduciendo objetos puntiagudos a través de las aberturas.

⚠ PRECAUCIÓN Ciertos agentes de limpieza y disolventes dañan las piezas de plástico. Algunos de estos son: gasolina, tetracloruro de carbono, disolventes de limpieza clorados, amoníaco y detergentes domésticos que contienen amoníaco.

Cordones de extensión

⚠ ADVERTENCIA Si es necesario un cordón de extensión, se debe usar un cordón con conductores de tamaño adecuado que sea capaz de transportar la corriente necesaria para la herramienta. Esto evitará caídas de tensión excesivas, pérdida de potencia o recalentamiento. Las herramientas conectadas a tierra deben usar cordones de extensión de 3 hilos que tengan enchufes de 3 terminales y receptáculos para 3 terminales.

NOTA: Cuanto más pequeño es el número de calibre, más grueso es el cordón.

TAMAÑOS RECOMENDADOS DE CORDONES DE EXTENSION HERRAMIENTAS DE 120 V CORRIENTE ALTERNA

Capacidad nominal en amperes de la herramienta	Tamaño del cordón en A.W.G.				Tamaños del cable en mm ²			
	Longitud del cordón en pies				Longitud del cordón en metros			
	25	50	100	150	15	30	60	120
3-6	18	16	16	14	0,75	0,75	1,5	2,5
6-8	18	16	14	12	0,75	1,0	2,5	4,0
8-10	18	16	14	12	0,75	1,0	2,5	4,0
10-12	16	16	14	12	1,0	2,5	4,0	—
12-16	14	12	—	—	—	—	—	—

Accesorios

- * Mandril de 1/2 pulgada
- * Llave para la tuerca del portaherramienta
- * Manguito adaptador de 1/4 de pulgada
- * Bolsa de transporte de lona (modelos 1827 y 1830 solamente)
- ** Guía de borde

- ** Cubiertas de extracción de polvo
- ** Guías de plantilla
- ** Adaptador de guías de plantilla

(* = equipo estándar)
(** = equipo opcional)



Resolución de problemas

ADVERTENCIA

Lea primero el manual de instrucciones! Saque el enchufe de la fuente de energía antes de hacer ajustes o ensamblar accesorios.

- PROBLEMA** **AVERÍA: LA HERRAMIENTA NO ARRANCA**
1. El cordón de energía no está enchufado.
 2. El fusible o el cortacircuitos de la fuente de energía ha saltado.
 3. El cordón está dañado.
 4. El interruptor está quemado.
- REMEDIO**
1. Enchufe la herramienta en la fuente de alimentación.
 2. Reemplace el fusible o reajuste el cortacircuitos que ha saltado. (Si el producto hace que el circuito o el fusible salte o se funda repetidamente, interrumpa su uso inmediatamente y haga que reciba servicio en un Centro de Servicio Skil Autorizado o una Estación de Servicio Skil Autorizada.)
 3. Inspeccione el cordón para comprobar si está dañado. Si está dañado, haga que sea reemplazado por un Centro de Servicio Skil Autorizado o una Estación de Servicio Skil Autorizada.
 4. Haga que el interruptor sea reemplazado por un Centro de Servicio Skil Autorizado o una Estación de Servicio Skil Autorizada.
- PROBLEMA** **AVERÍA: LA HERRAMIENTA NO ALCANZA TODA SU VELOCIDAD**
- El cordón de extensión tiene un calibre insuficiente o es demasiado largo.
2. Si está equipada con velocidad variable, puede que la herramienta no se ajuste a las RPM máximas.
 3. El voltaje de la red doméstica es bajo.
- REMEDIO**
1. Reemplace el cordón de extensión con un cordón adecuado (página 51).
 2. Si la herramienta está equipada con velocidad variable, compruebe el ajuste de velocidad.
 3. Contacte a la compañía eléctrica.
- PROBLEMA** **AVERÍA: EL ACCESORIO SE ATORA, DETIENE EL MOTOR O EXPERIMENTA RETROCESO AL FRESAR**
1. La broca no está instalada apropiadamente en el portaherramienta.
 2. La broca está dañada o desafilada.
 3. El corte es demasiado agresivo para una pasada.
 4. La velocidad de la fresadora es incorrecta para la aplicación.
 5. Se está haciendo avanzar la fresadora en sentido incorrecto o a una velocidad inapropiada.
- REMEDIO**
1. Consulte la sección "Instalación de una broca de fresadora" de este manual (página 43).
 2. Deseche el accesorio y reemplácelo con un accesorio nuevo.
 3. Ajuste la profundidad de la broca al valor apropiado, tal y como se indica en la sección "Operaciones" de este manual (páginas 45-46) o según lo recomiende el fabricante del accesorio.
 4. Consulte el cuadro de velocidades de la fresadora con el fin de obtener recomendaciones para la aplicación (página 47).
 5. Consulte la sección "Avance de la fresadora" de este manual para obtener consejos de avance (página 47).





Notes:





Remarques :





Notas:





LIMITED WARRANTY OF SKIL CONSUMER PORTABLE, BENCHTOP AND HD AND SHD HEAVY DUTY POWER TOOLS

Robert Bosch Tool Corporation ("Seller") warrants to the original purchaser only, that all SKIL consumer portable, benchtop and HD and SHD Heavy Duty power tools will be free from defects in material or workmanship for a period of one year from date of purchase. SKIL Benchtop and consumer portable power tool models will be free from defects in material or workmanship for a period of ninety days if the tool is used for professional use.

SELLER'S SOLE OBLIGATION AND YOUR EXCLUSIVE REMEDY under this Limited Warranty and, to the extent permitted by law, any warranty or condition implied by law, shall be the repair or replacement of parts, without charge, which are defective in material or workmanship and which have not been misused, carelessly handled, or misrepaired by persons other than Seller or Authorized Service Station. To make a claim under this Limited Warranty, you must return the complete product, transportation prepaid, to any SKIL Factory Service Center or Authorized Service Station. For Authorized SKIL Power Tool Service Stations, please visit www.skil.com or call 1-877-SKIL-999 (1-877-754-5999).

THIS LIMITED WARRANTY DOES NOT APPLY TO ACCESSORY ITEMS SUCH AS CIRCULAR SAW BLADES, DRILL BITS, ROUTER BITS, JIGSAW BLADES, SANDING BELTS, GRINDING WHEELS AND OTHER RELATED ITEMS.

ANY IMPLIED WARRANTIES SHALL BE LIMITED IN DURATION TO ONE YEAR FROM DATE OF PURCHASE. SOME STATES IN THE U.S., SOME CANADIAN PROVINCES DO NOT ALLOW LIMITATIONS ON HOW LONG AN IMPLIED WARRANTY LASTS, SO THE ABOVE LIMITATION MAY NOT APPLY TO YOU.

IN NO EVENT SHALL SELLER BE LIABLE FOR ANY INCIDENTAL OR CONSEQUENTIAL DAMAGES (INCLUDING BUT NOT LIMITED TO LIABILITY FOR LOSS OF PROFITS) ARISING FROM THE SALE OR USE OF THIS PRODUCT. SOME STATES IN THE U.S. AND SOME CANADIAN PROVINCES DO NOT ALLOW THE EXCLUSION OR LIMITATION OF INCIDENTAL OR CONSEQUENTIAL DAMAGES, SO THE ABOVE LIMITATION OR EXCLUSION MAY NOT APPLY TO YOU.

THIS LIMITED WARRANTY GIVES YOU SPECIFIC LEGAL RIGHTS, AND YOU MAY ALSO HAVE OTHER RIGHTS WHICH VARY FROM STATE TO STATE IN THE U.S., PROVINCE TO PROVINCE IN CANADA AND FROM COUNTRY TO COUNTRY.

THIS LIMITED WARRANTY APPLIES ONLY TO PRODUCTS SOLD WITHIN THE UNITED STATES OF AMERICA, CANADA AND THE COMMONWEALTH OF PUERTO RICO. FOR WARRANTY COVERAGE WITHIN OTHER COUNTRIES, CONTACT YOUR LOCAL SKIL DEALER OR IMPORTER.

GARANTIE LIMITÉE DES OUTILS ÉLECTRIQUES GRAND PUBLIC SKIL PORTATIFS, DE TABLE ET POUR USAGE INDUSTRIEL HD ET SHD

Robert Bosch Tool Corporation (le « Vendeur ») garantit à l'acheteur initial seulement que tous les outils électriques grand public SKIL portatifs, de table et pour usage industriel HD et SHD seront exempts de vices de matériau ou de façon pendant une période d'un an depuis la date d'achat. Les modèles d'outils électriques grand public SKIL portatifs et de table seront exempts de vices de matériau ou de façon pendant une période de quatre-vingt-dix jours si l'outil est utilisé professionnellement.

LA SEULE OBLIGATION DU VENDEUR ET LE SEUL RECOURS DE L'ACHETEUR sous la présente garantie limitée, et dans la mesure où la loi le permet sous toute garantie ou condition implicite qui en découlerait, sera l'obligation de remplacer ou réparer gratuitement les pièces défectueuses en termes de matériau ou de façon, pourvu que lesdites défectuosités ne soient pas attribuables à un usage abusif ou à quelque réparation ou altération bricolée par quelqu'un d'autre que le Vendeur ou le personnel d'une station-service agréée. En cas de réclamation sous la présente garantie limitée, l'acheteur est tenu de renvoyer l'outil complet en port payé à un centre de service-usine SKIL ou une station-service agréée. Pour trouver les coordonnées de la station-service agréée SKIL la plus proche, veuillez visiter www.skil.com ou téléphoner au 1-877-SKIL-999 (1-877-754-5999).

LA PRÉSENTE GARANTIE NE S'APPLIQUE PAS AUX ACCESSOIRES TELS QUE LAMES DE SCIE CIRCULAIRE, MÊCHES DE PERCEUSES, FERS DE TOUPIES, LAMES DE SCIES SAUTEUSES, COURROIES DE PONÇAGE, MEULES ET AUTRES ARTICLES DU GENRE.

TOUTE GARANTIE IMPLICITE SERA LIMITÉE À UNE DURÉE D'UN AN À COMPTER DE LA DATE D'ACHAT. COMME CERTAINS ÉTATS AMÉRICAINS ET CERTAINES PROVINCES CANADIENNES N'ADMETTENT PAS LE PRINCIPE DE LA LIMITATION DE LA DURÉE DES GARANTIES IMPLICITES, IL EST POSSIBLE QUE LES LIMITATIONS CI-DESSUS NE S'APPLIQUENT PAS À VOTRE CAS.

EN AUCUN CAS LE VENDEUR NE SAURAIT ÊTRE TENU POUR RESPONSABLE DES INCIDENTS OU DOMMAGES INDIRECTS (INCLUANT, MAIS NE SE LIMITANT PAS AUX PERTES DE PROFITS) CONSÉCUTIFS À LA VENTE OU À L'USAGE DE CE PRODUIT. COMME CERTAINS ÉTATS AMÉRICAINS ET CERTAINES PROVINCES CANADIENNES N'ADMETTENT PAS LE PRINCIPE DE LA LIMITATION OU DE L'EXCLUSION DES DOMMAGES INDIRECTS ET SECONDAIRES, IL EST POSSIBLE QUE LES LIMITATIONS OU EXCLUSIONS CI-DESSUS NE S'APPLIQUENT PAS À VOTRE CAS.

CETTE GARANTIE LIMITÉE VOUS DONNE DES DROITS PRÉCIS, ET VOUS POUVEZ ÉGALEMENT AVOIR D'AUTRES DROITS QUI VARIENT D'UN ÉTAT À L'AUTRE AUX ÉTATS-UNIS, D'UNE PROVINCE À L'AUTRE AU CANADA, ET D'UN PAYS À L'AUTRE.

CETTE GARANTIE LIMITÉE S'APPLIQUE UNIQUEMENT AUX OUTILS VENDUS AUX ÉTATS-UNIS D'AMÉRIQUE, AU CANADA ET DANS LE COMMONWEALTH DE PORTO RICO. POUR CONNAÎTRE LA COUVERTURE DE GARANTIE DANS LES AUTRES PAYS, CONTACTEZ VOTRE IMPORTATEUR OU REVENDEUR SKIL LOCAL.

GARANTÍA LIMITADA PARA HERRAMIENTAS MECÁNICAS PORTÁTILES DE CONSUMO, DE BANCO Y DE SERVICIO PESADO HD y SHD DE SKIL

Robert Bosch Tool Corporation ("el Vendedor") garantiza, únicamente al comprador original, que todas las herramientas mecánicas portátiles de consumo, de banco y de servicio pesado HD y SHD de SKIL estarán libres de defectos de material o de fabricación durante un periodo de un año a partir de la fecha de compra. Los modelos de herramientas mecánicas de banco y portátiles de consumo de SKIL estarán libres de defectos de material o de fabricación durante un periodo de noventa días si la herramienta se emplea para uso profesional.

LA ÚNICA OBLIGACIÓN DEL VENDEDOR Y EL RECURSO EXCLUSIVO QUE USTED TIENE bajo esta Garantía Limitada y, hasta donde la ley lo permita, bajo cualquier garantía o condición implícita por ley, consistirá en la reparación o sustitución sin costo de las piezas que presenten defectos de material o de fabricación y que no hayan sido utilizadas incorrectamente, manejadas descuidadamente o reparadas incorrectamente por personas que no sean el Vendedor o una Estación de servicio autorizada. Para efectuar una reclamación bajo esta Garantía Limitada, usted debe devolver el producto completo, con el transporte prepago, a cualquier Centro de servicio de fábrica SKIL o Estación de servicio SKIL autorizada. Para localizar Estaciones de servicio autorizadas de herramientas mecánicas SKIL, sírvase visitar www.skil.com o llame al 1-877-SKIL-999 (1-877-754-5999).

ESTA GARANTÍA LIMITADA NO SE APLICA A ARTÍCULOS ACCESORIOS TALES COMO HOJAS PARA SIERRAS CIRCULARES, BROCAS PARA TALADROS, BROCAS PARA FRESADORAS, HOJAS PARA SIERRAS DE VAIVÉN, CORREAS PARA LIJAR, RUEDAS DE AMOLAR Y OTROS ARTÍCULOS RELACIONADOS.

TODAS LAS GARANTÍAS IMPLÍCITAS TENDRÁN UNA DURACIÓN LIMITADA A UN AÑO A PARTIR DE LA FECHA DE COMPRA, ALGUNOS ESTADOS DE LOS EE.UU. Y ALGUNAS PROVINCIAS CANADIENSES NO PERMITEN LIMITACIONES EN CUANTO A LA DURACIÓN DE UNA GARANTÍA IMPLÍCITA, POR LO QUE ES POSIBLE QUE LA LIMITACIÓN ANTERIOR NO SEA APLICABLE EN EL CASO DE USTED.

EL VENDEDOR NO SERÁ RESPONSABLE EN NINGÚN CASO DE NINGÚN DAÑO INCIDENTAL O EMERGENTE (INCLUYENDO PERO NO LIMITADO A RESPONSABILIDAD POR PÉRDIDA DE BENEFICIOS) QUE SE PRODUZCA COMO CONSECUENCIA DE LA VENTA O UTILIZACIÓN DE ESTE PRODUCTO. ALGUNOS ESTADOS DE LOS EE.UU. Y ALGUNAS PROVINCIAS CANADIENSES NO PERMITEN LA EXCLUSIÓN O LIMITACIÓN DE LOS DAÑOS INCIDENTALES O EMERGENTES, POR LO QUE ES POSIBLE QUE LA LIMITACIÓN O EXCLUSIÓN ANTERIOR NO SEA APLICABLE EN EL CASO DE USTED.

ESTA GARANTÍA LIMITADA LE CONFIERE A USTED DERECHOS LEGALES ESPECÍFICOS Y ES POSIBLE QUE USTED TAMBIÉN TENGA OTROS DERECHOS QUE VARIAN DE ESTADO A ESTADO EN LOS EE.UU., DE PROVINCIA A PROVINCIA EN CANADÁ Y DE PAÍS EN PAÍS.

ESTA GARANTÍA LIMITADA SE APLICA SÓLO A LOS PRODUCTOS VENDIDOS EN LOS ESTADOS UNIDOS DE AMÉRICA, CANADÁ Y EL ESTADO LIBRE ASOCIADO DE PUERTO RICO. PARA COBERTURA DE GARANTÍA EN OTROS PAÍSES, PONGASE EN CONTACTO CON SU DISTRIBUIDOR O IMPORTADOR LOCAL DE SKIL.

© Robert Bosch Tool Corporation 1800 W. Central Road Mt. Prospect, IL 60056-2230

Exportado por: Robert Bosch Tool Corporation Mt. Prospect, IL 60056-2230, E.U.A.

Importado a México por: Robert Bosch, S.A. de C.V., Calle Robert Bosch No. 405, Zona Industrial, Toluca, Edo. de México, C.P. 50070, Tel. (722) 2792300



1 6 1 9 X 0 4 6 6 3

1619X04663 05/11

