

**BATH & SHOWER TRIM SET
K-T15601**

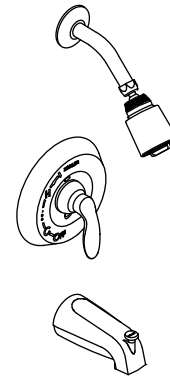
Features

- Metal construction
- 2.5 gallon (9.5 L) per minute flow rate
- Available with 4-7/8" (124 mm) diverter bath spout with NPT or slip-fit connection
- Includes showerhead with arm and flange
- Includes faceplate and lever handle

Codes/Standards Applicable

Specified model meets or exceeds the following:

- ASME A112.18.1/CSA B125.1
- ASSE 1016



Colors/Finishes

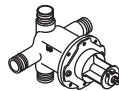

- CP: Polished Chrome
- Other: Refer to Price Book for additional colors/finishes

Accessories

- NA: None applicable
- CP: Polished Chrome
- Other: Refer to Price Book for additional colors/finishes

Specified Model

Model	Description	Colors/Finishes	
K-T15601-4	Bath & shower trim set – NPT spout	<input type="checkbox"/> CP	<input type="checkbox"/> Other_____
K-T15601-4S	Bath & shower trim set – slip-fit spout	<input type="checkbox"/> CP	<input type="checkbox"/> Other_____

Required Accessories			
K-304-*	Rite-Temp® valve OR	<input type="checkbox"/> NA	
K-2971-KS	HiFlow Rite-Temp valve with stops		<input type="checkbox"/> NA

* For a complete listing of all the Rite-Temp valves, refer to the K-304-* Specification Sheet or Roughing-In sheet.

Optional Accessories			
88526	HiFlow Rite-Temp® thin wall installation kit	<input type="checkbox"/> CP	<input type="checkbox"/> Other_____

Product Specification

The single-handle bath & shower trim set shall be made of metal construction. Product shall include showerhead with arm and flange, faceplate with lever handle, and 4-7/8" (124 mm) diverter bath spout with NPT or slip-fit connection. Faucet trim shall be 2.5 gallon (9.5 L) per minute flow rate. Faucet trim shall be Kohler Model K-T15601-_____-_____-_____- and mixing valve shall be Kohler Model K-_____-_____-NA.

CORALAIS®

Installation Notes

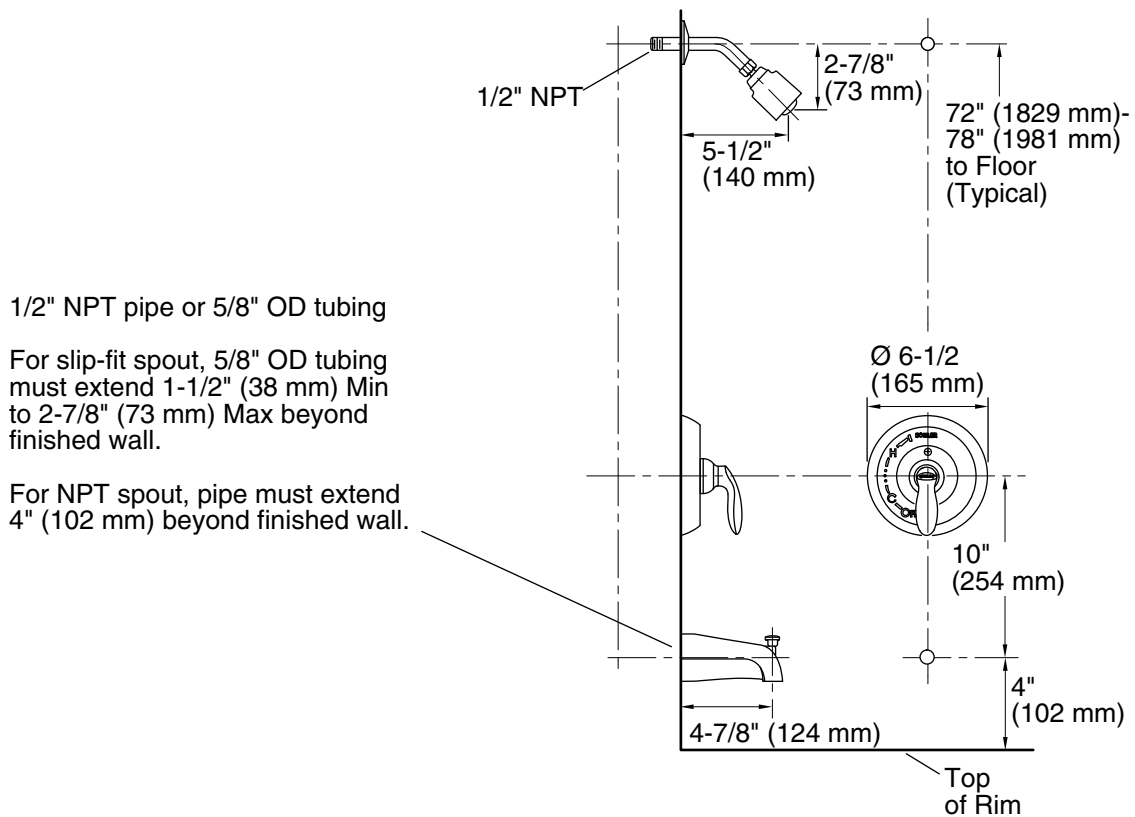
Install this product according to the installation guide.

NOTICE: Risk of product damage. Long screws, for installing trim, can damage the K-2971-KS valve. Consult the trim installation guide to verify if the thin wall installation kit (88526) is needed.

Avoid cross-flow conditions. Do not install shut-off device on either valve outlet.

Cap shower outlet if deck-mount spout, diverter, or handshower is connected to spout outlet.

Install straight pipe or tube drop of 7" (178 mm) to 18" (457 mm) with single elbow between valve and wall-mount spout.



Product Diagram