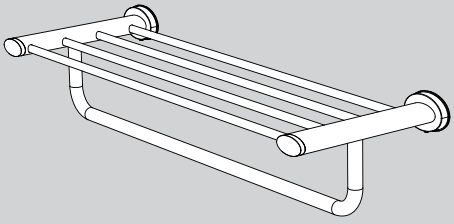


## INSTRUCTIONS FOR MODELS

SA-1203



### NEED HELP?

For additional assistance or service please contact:

**SPEAKMAN**® Company  
400 Anchor Mill Road  
New Castle, DE 19720

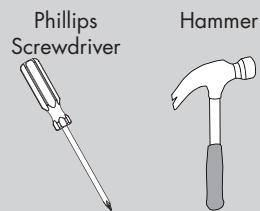
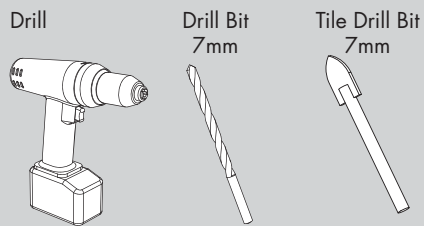
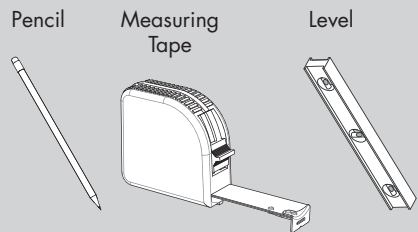
800-537-2107

customerservice@speakman.com

www.speakman.com

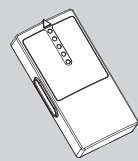
92-SA-1203-01

## TOOLS AND SUPPLIES



### HELPFUL TOOLS & SUPPLIES:

Stud Finder



## IMPORTANT

Do not over-tighten any connections or damage may occur.

任何連接件不要鎖得太緊，以免造成損壞。

Be sure to read instructions thoroughly before beginning installation.

請務必在開始安裝之前仔細閱讀說明。

### MAINTENANCE

Your new Speakman Product is designed for years of trouble-free performance. Keep it looking new by cleaning it periodically with a soft cloth. The use of harsh chemicals and abrasives on any of the Speakman custom finish products may damage the finish and void the product warranty. Please be sure to only use approved cleaners. Please contact Speakman for any clarification of acceptable cleaners.

Speakman 的產品設計保證經年的無故障使用，定期使用軟布清潔表面可以使之常用常新。使用強力的化學製品或是有研磨作用的清潔用品，可能會破壞Speakman特有的表面處理進而導致保修失效。請確認只使用Speakman批准的清潔劑，有關信息請聯繫Speakman

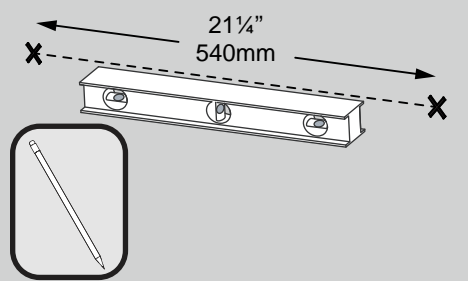
### WARRANTY

Additional warranty information can be found at:  
www.speakman.com

更多保修信息請參考：www.speakman.com

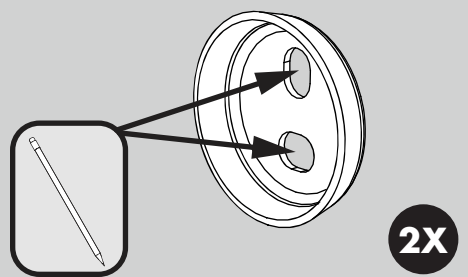
1 At the selected height, mark center point of mounting locations onto wall referencing the rough in diagram.

在選定的高度，根據安裝圖，在牆上標識出安裝位置的中線



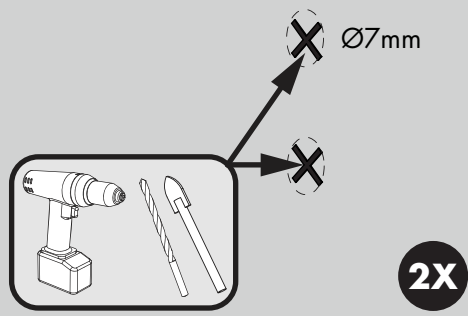
2 Align Mounting Plate as shown below. Mark Mounting Screw locations onto the wall surface. Remove items after marking mounting locations.

如圖所示將安裝底座對齊，在牆上標識出安裝底座螺絲的位置，然後將底座取下。



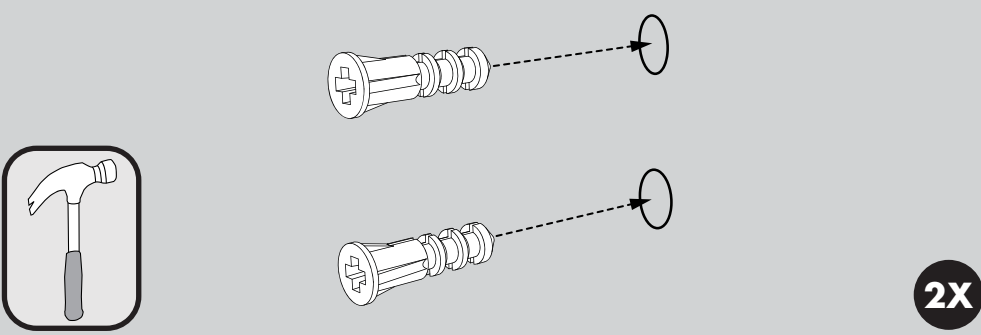
3 Select proper drill bit for mounting location. Drill 7mm holes in marked locations.

選擇合適的鑽頭。在之前標示的安裝孔位置鑽7mm的孔。



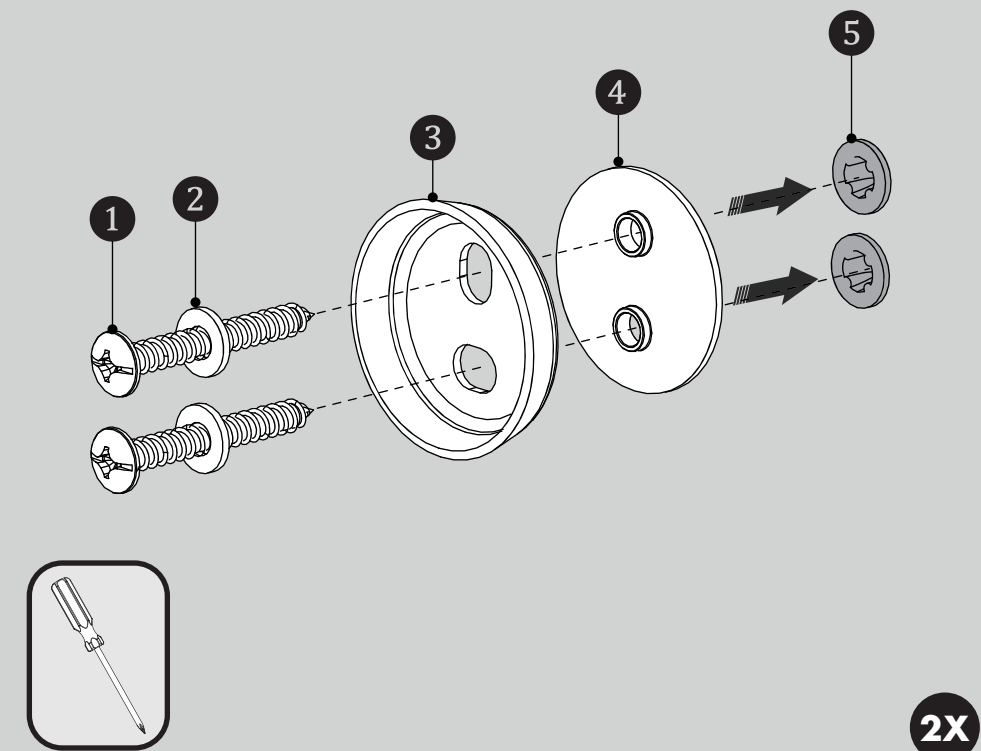
4 Insert Plastic Anchors into drilled holes and tap lightly with Hammer to fully seat Plastic Anchor into the hole.

將塑料膨脹塞塞入之前鑽好的孔，用榔頭輕輕的將膨脹塞敲入牆內，確保膨脹塞和牆面平齊。



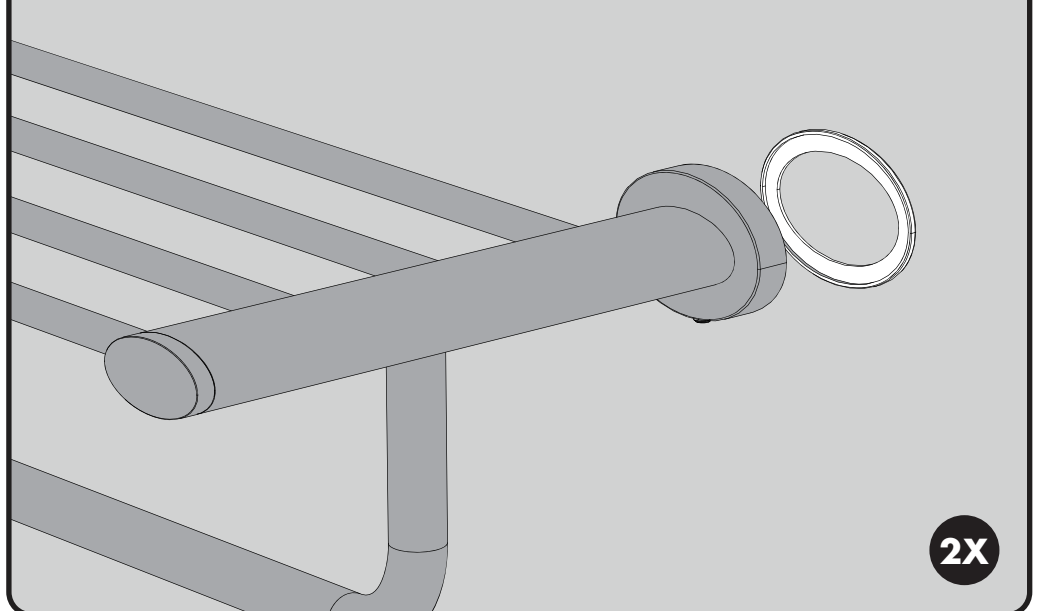
5 Insert Screw (1) through Nylon Washer (2), Mounting Plate (3), Isolating Gasket(4), and secure assembly to Plastic Anchor (5).

在安裝螺絲上依次穿上尼龍墊圈(2)，安裝支架(3)和絕緣片(4)，然後鎖入塑料膨脹塞(5)。



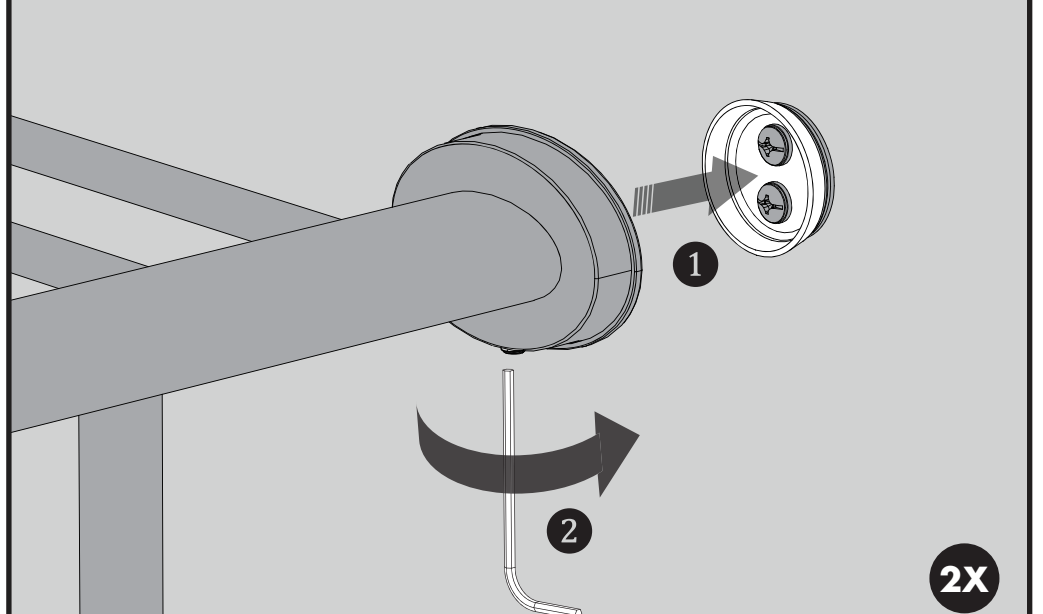
6 Install Clear Plastic Gaskets over Mounting Flange of Towel Shelf.

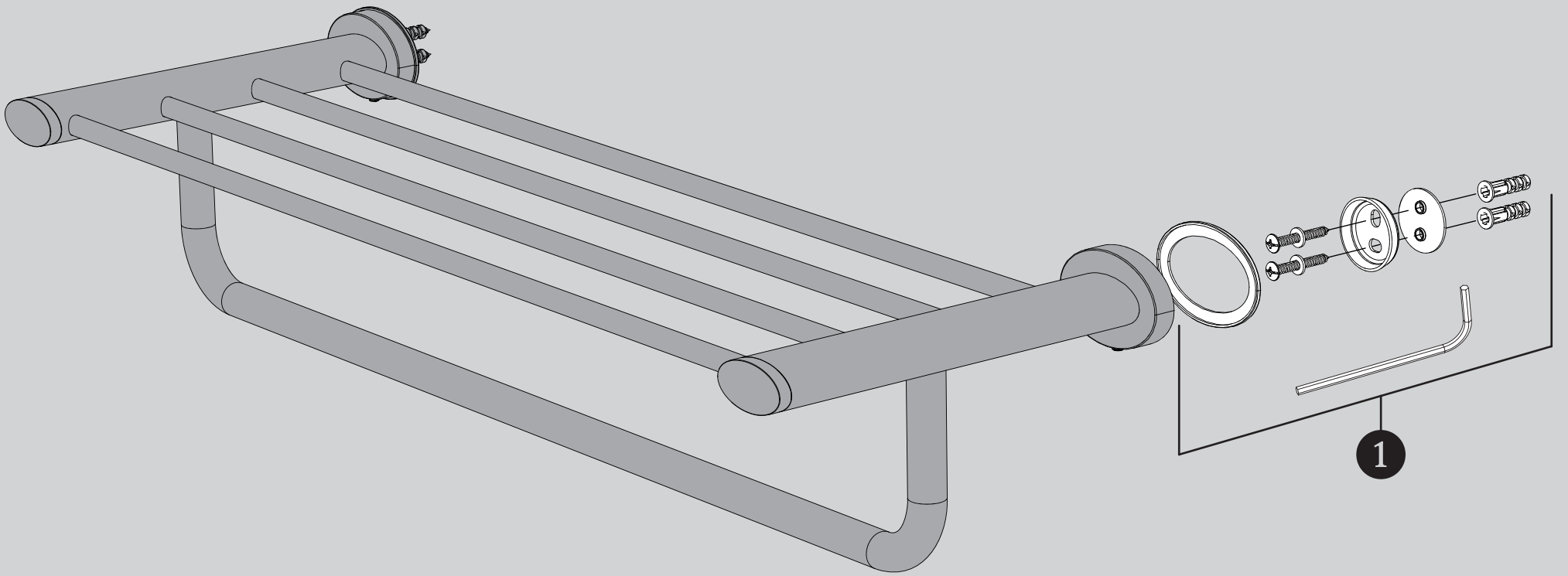
在毛巾架安裝底座上套上透明的塑料墊圈。



7 Install Accessory over Mounting Brackets and Secure with Set Screw.

將毛巾架和安裝支架對齊，通過鎖緊頂絲固定好毛巾架。





ITEM NO.	PART NO.	DESCRIPTION
1	RPG05-42056	MOUNTING HARDWARE GROUP

SA-1203 ROUGH-IN DIAGRAM

