

BARNDOOR

• H A R D W A R E •



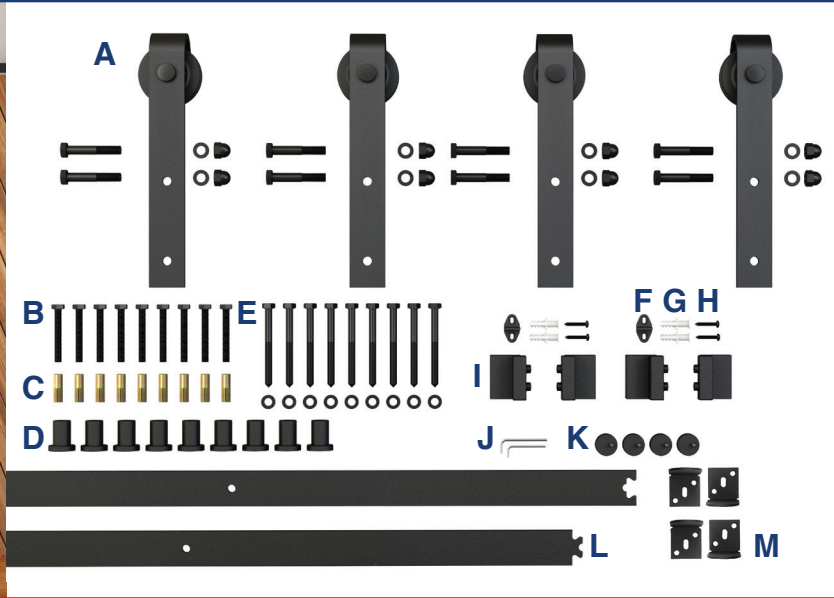
HARDWARE KIT

FOR SLIDING DOUBLE WOOD DOORS

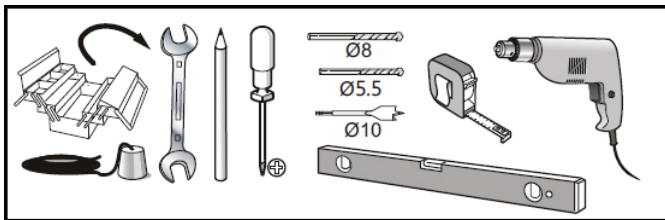


MODEL No. 5APD10669

INSTALLATION MANUAL



TOOLS REQUIRED

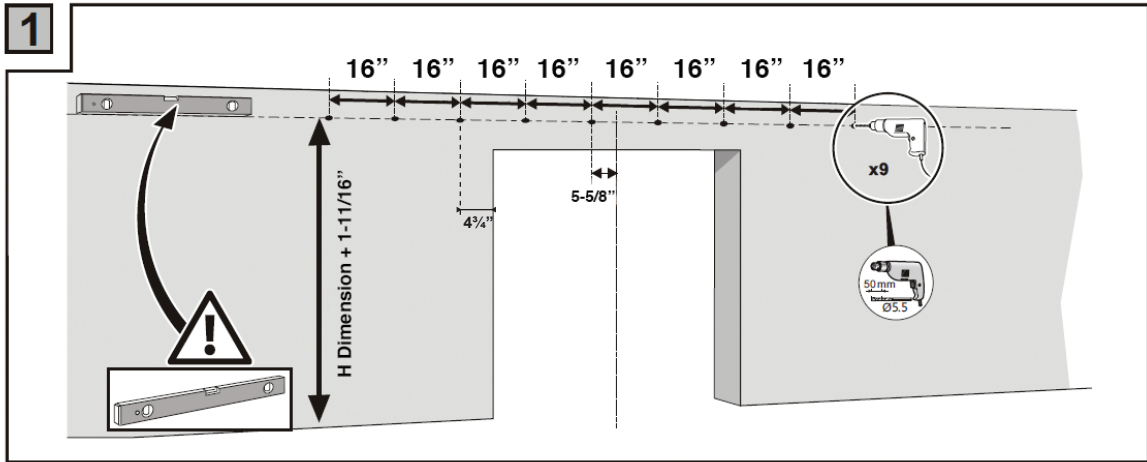


- Plumb Line
- Wrench
- Pencil
- Phillips Head Screwdriver
- 8mm Drill Bit
- 5.5mm Drill Bit
- 10mm Routing Drill Bit
- Level
- Tape Measure
- Power Drill

INCLUDED IN KIT

A	Door Roller Hardware	x4
B	M8x60 Bolt	x9
C	M8x30 Wall Anchor	x9
D	Wall Bracket	x9
E	ST8x90 Bolt + Washer	x9
F	Optional Routed Floor Guide	x1
G	Floor Anchor	x4
H	ST4.2x25 Screw	x4
I	Door Stop	x4
J	4mm/8mm Allen Keys	x1
K	Anti-Jump Disk	x4
L	68-7/8" Rail	x2
M	Non-Routed Floor Guide Set	x2

American Pro Decor assumes no liability for improper installation.

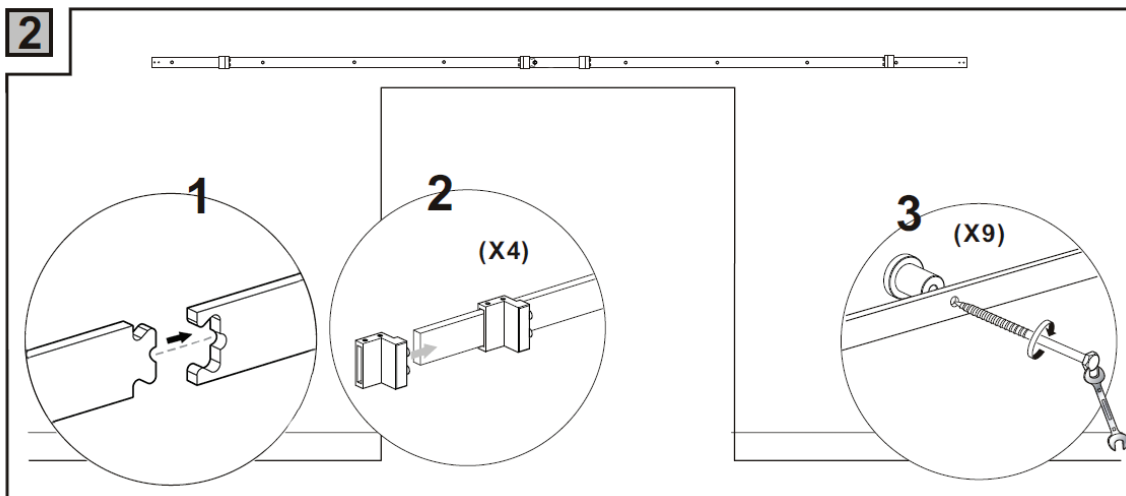
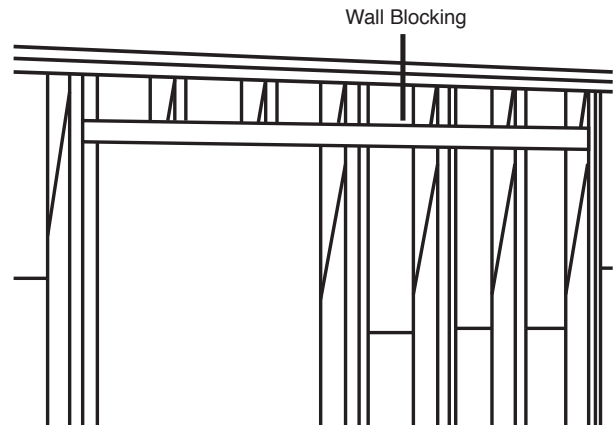


Find the centerline of the track. Using a level, mark a horizontal line twice the door width long. Mark the bracket screw locations into the wall blocking. Attach the wall portion of the brackets as shown.

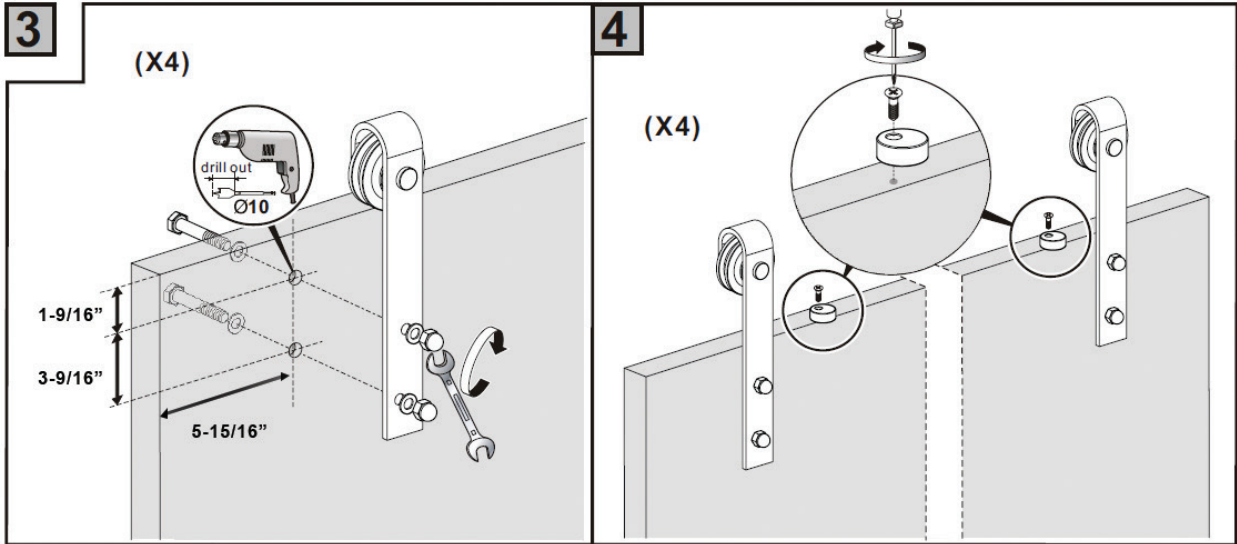
NOTES

To obtain maximum weight capacity, all fasteners must be mounted into solid wood studs or wall blocking or mounted to a header board.

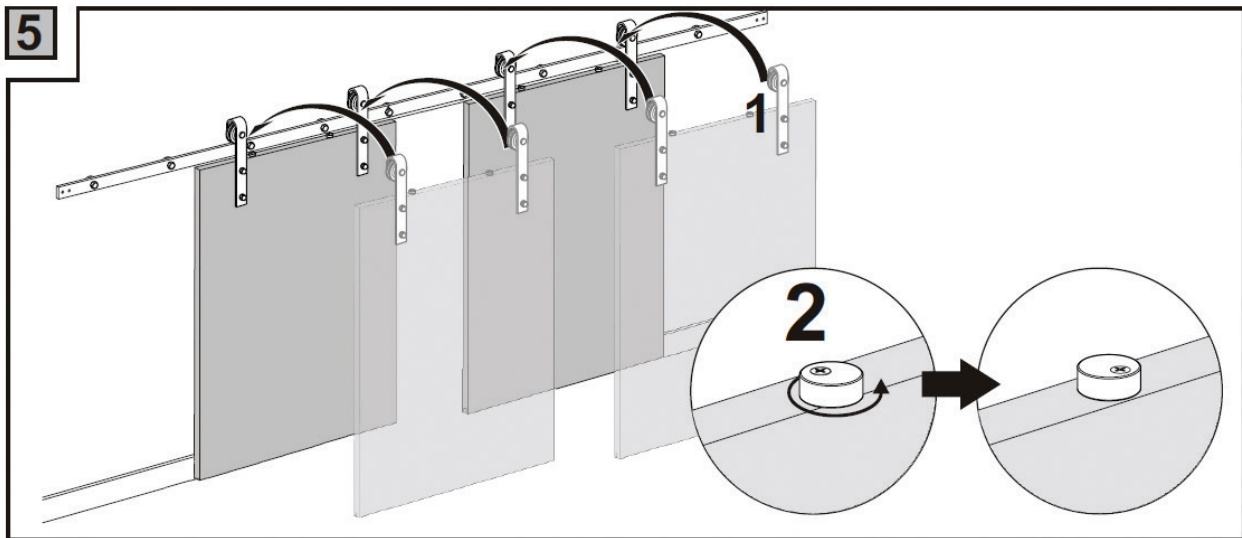
Consult a structural engineer if you have questions about what type of wall blocking is required.



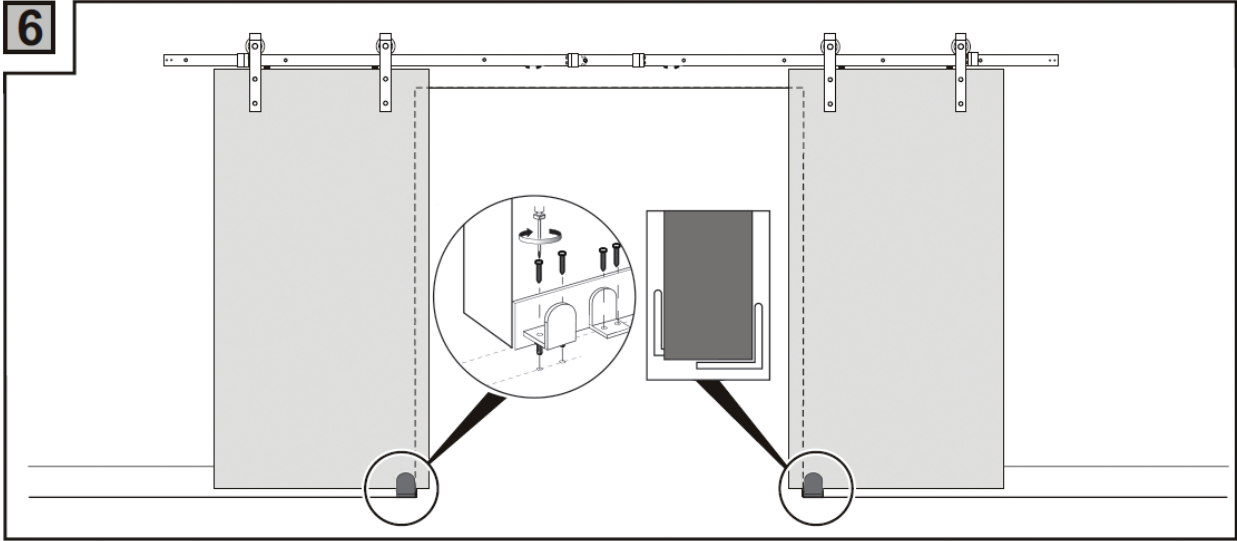
Join the two rails together. Fasten the door stops to the rail at this time, two in the center, two at each end. Attach the rail to the wall brackets using a wrench to fasten the bolts.



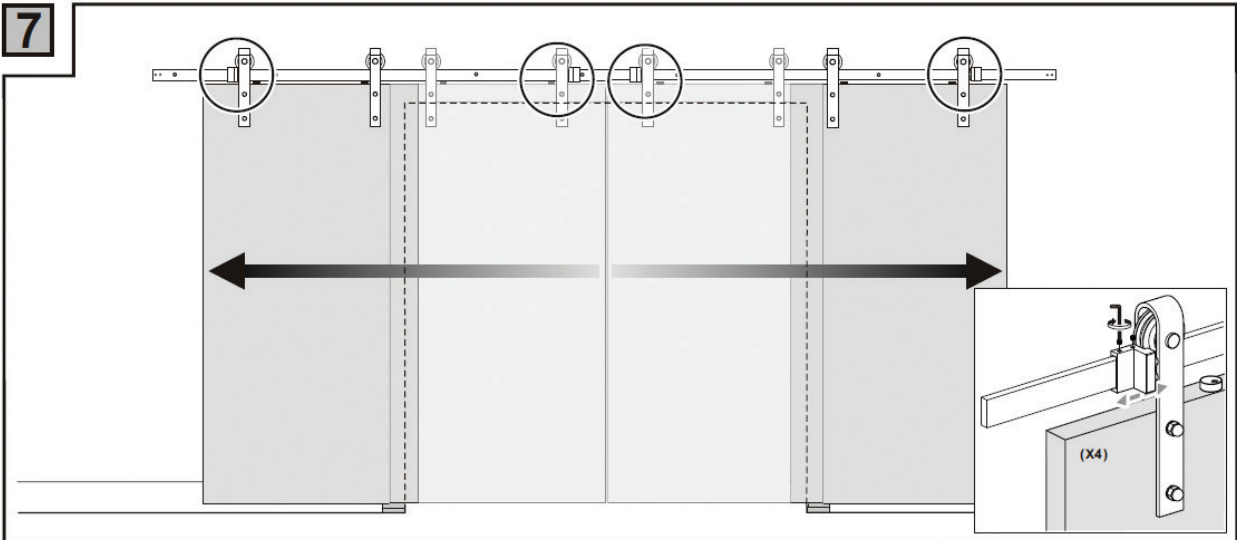
Drill out holes in the doors using a 10mm routing drill bit as pictured. Attach the anti-jump disks to the tops of the doors.



Attach the doors to the rails making sure that the anti-jump disks are engaged to avoid a serious accident.

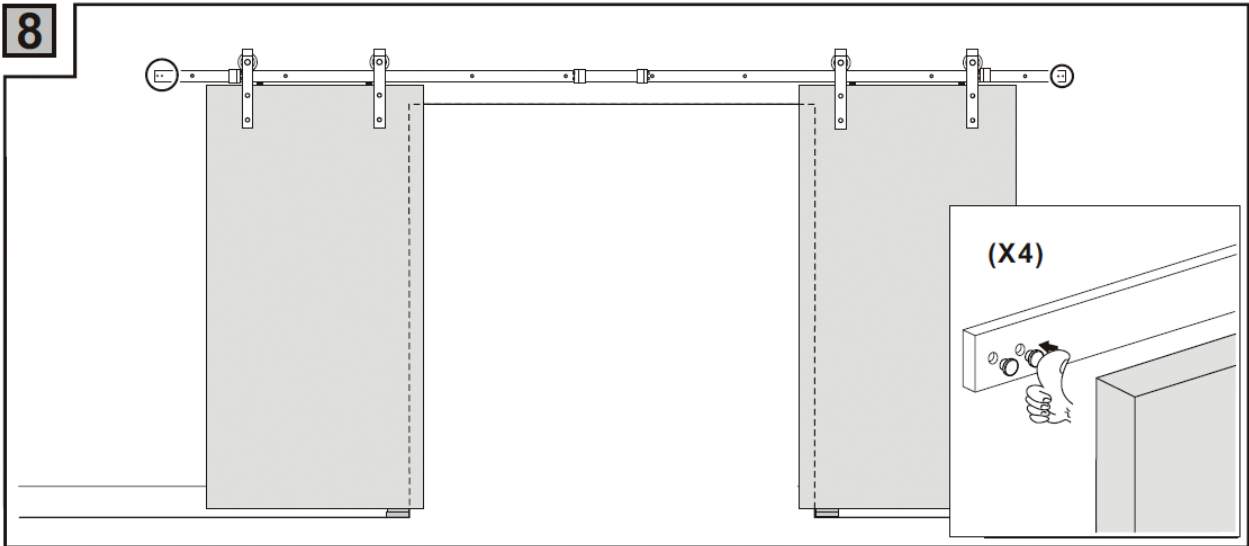


Plumb the doors and mark the positions of the floor guides. Mount the floor guides to the floor.



Adjust the door stops accordingly.

8



Install the end cap covers.