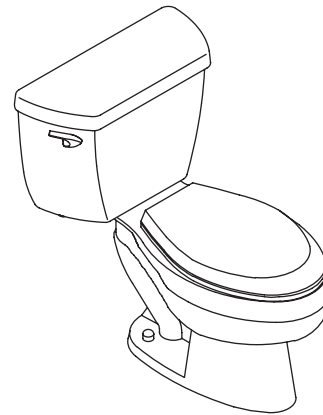


PRESSURE LITE® 1.0 TOILET K-3531

Features

- 12" (30.5 cm) rough-in
- Polished chrome trip lever
- Less seat and supply
- Vitreous china
- 1 gpf (4 lpf)
- Equipped with Sloan FLUSHMATE® – Sloan® Valve Company
- Combination toilet
- Optional bedpan lugs or tank cover locks
- Elongated bowl
- 11-1/2" (29.2 cm) x 9-1/2" (24.1 cm) water area
- 30-1/8" (76.5 cm) x 21-1/4" (54 cm) x 29-1/4" (74.3 cm)



Codes/Standards Applicable

Specified model meets or exceeds the following:

- ASME A112.19.2/CSA B45.1
- EPA WaterSense®

Colors/Finishes

- 0: White
- Other: Refer to Price Book for additional colors/finishes

Accessories

- CP: Polished Chrome
- PB: Polished Brass
- Other: Refer to Price Book for additional colors/finishes

Specified Model

Model	Description	Trip Lever	Colors/Finishes	
K-3531	Elongated bowl toilet	left-hand	<input type="checkbox"/> 0	<input type="checkbox"/> Other_____
K-3531-RA	Elongated bowl toilet	right-hand	<input type="checkbox"/> 0	<input type="checkbox"/> Other_____
K-3531-T	Elongated bowl toilet with tank cover locks	left-hand	<input type="checkbox"/> 0	<input type="checkbox"/> Other_____
K-3531-TR	Elongated bowl toilet with tank cover locks	right-hand	<input type="checkbox"/> 0	<input type="checkbox"/> Other_____

Optional Accessories

K-9481-L	Trip lever, left-hand (non-CP)	<input type="checkbox"/> PB	<input type="checkbox"/> Other_____
K-9481-R	Trip lever, right-hand (non-CP)	<input type="checkbox"/> PB	

Recommended Accessories

K-4650	French Curve® seat with cover	<input type="checkbox"/> 0		<input type="checkbox"/> Other_____
K-4664	Brevia™ seat with cover	<input type="checkbox"/> 0		<input type="checkbox"/> Other_____
K-7637	Angle supply with stop – 3/8" NPT		<input type="checkbox"/> CP	<input type="checkbox"/> PB

WELLWORTH®

Product Specification

The elongated combination toilet shall be made of vitreous china. Toilet shall be 30-1/8" (76.5 cm) in length, 21-1/4" (54 cm) in width, and 29-1/4" (74.3 cm) in height with a 11-1/2" (29.2 cm) x 9-1/2" (24.1 cm) water area. Toilet shall be 12" (30.5 cm) rough-in and less seat and supply. Toilet shall include a polished chrome trip lever. Toilet shall have a 1.0 gal (4.0 L) per flush. Toilet shall be equipped with Sloan Flushmate® - Sloan Valve Company. Toilet shall have optional bedpan lugs or tank cover locks and available with right or left hand trip lever. Toilet shall be Kohler Model K-3531-_____.

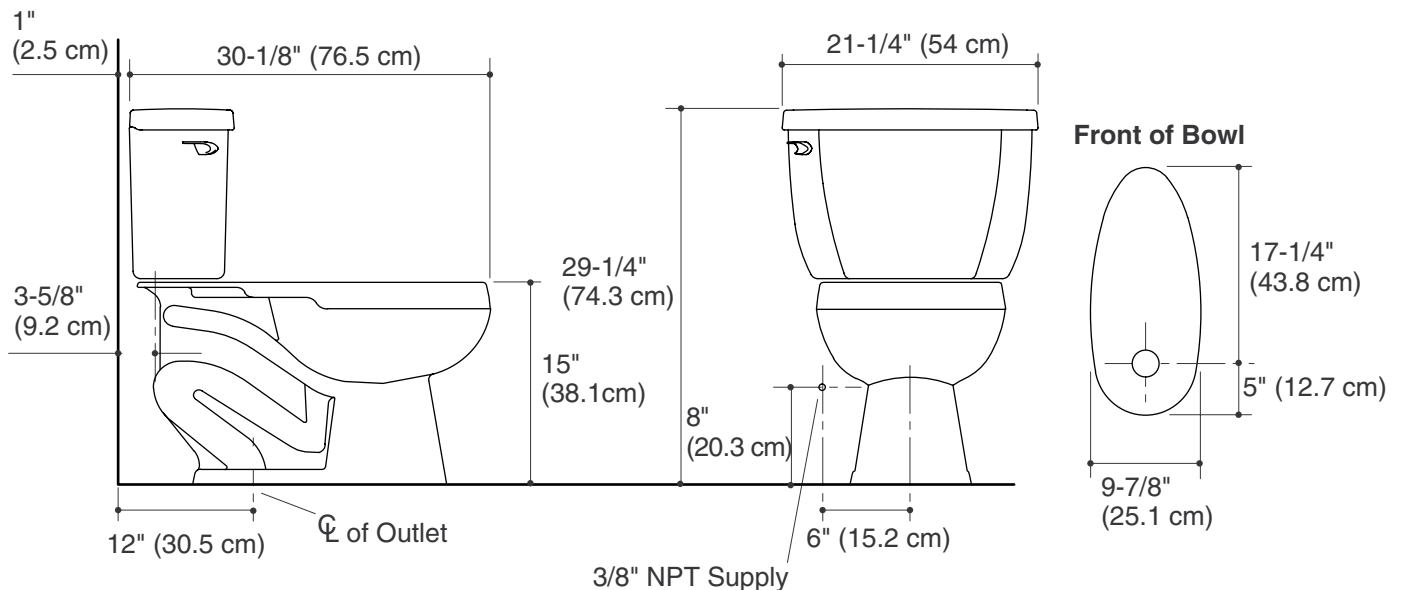
Technical Information

Fixture:	
Configuration	two-piece, elongated
Water per flush	1.0 gpf (4.0 lpf)
Passageway	2-1/4" (5.7 cm)
Water area	11-1/2" (29.2 cm) x 9-1/2" (24.1 cm)
Water depth from rim	5-5/8" (14.3 cm)
Seat post hole centers	5-1/2" (14 cm)
Maximum static pressure required	35 psi (241 kPa)
Maximum static pressure	80 psi (551.6 kPa)

Included components*:	
Bowl	K-4303
Tank	K-4484
Tank cover	1036375
Bolt cap accessory pack	52048
Tank accessory pack	73062
Trip lever, left-hand	K-9481-L
Trip lever, right-hand	K-9481-R
* Equipped with Sloan Flushmate® - Sloan Valve Company	

Installation Notes

Install this product according to the installation guide.



Product Diagram