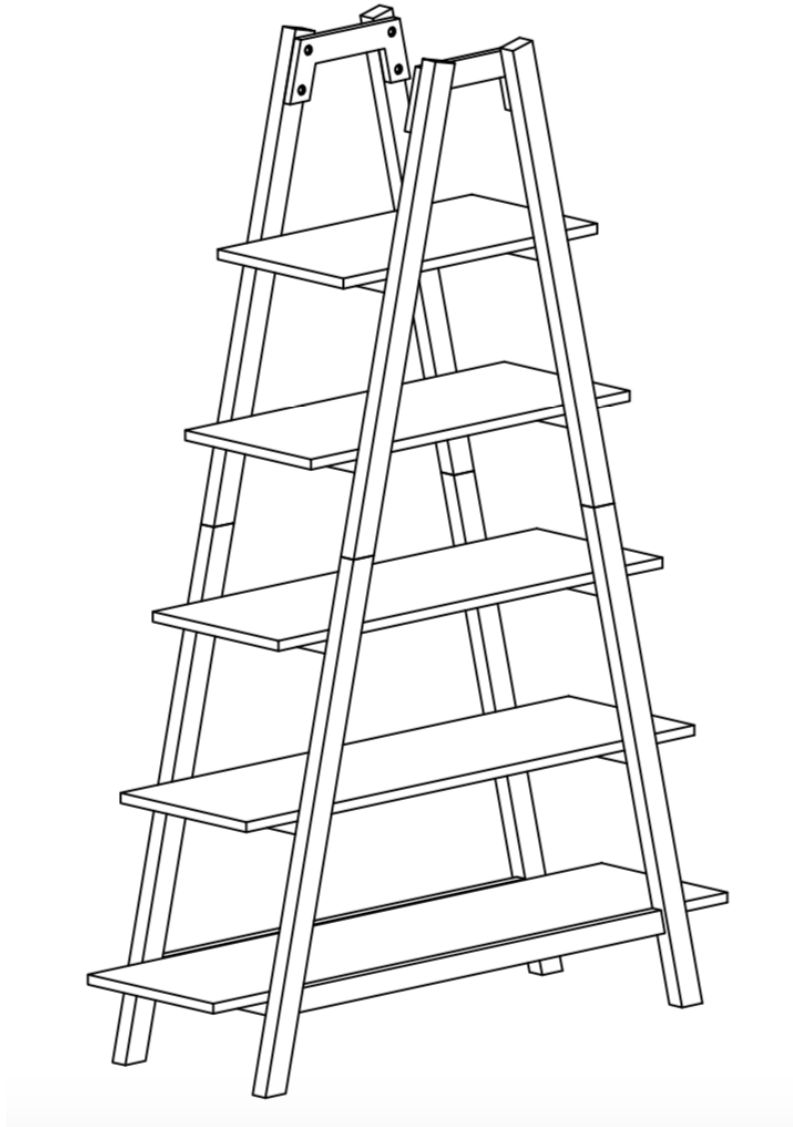


NATHAN JAMES



Product name

Contact

**Carlie Ladder
A-Frame Bookcase**

Toll-free at 1-866-619-1004
Help@nathanjames.com
Nathanjames.com/help

Ok, let's get rolling

This should be easy, just follow our simple instructions and you will be back to Netflix in no time.

Estimated time for assembly



45:00

What you need

- Some of your favourite bubbly or your preferred relaxant
- Use the packaging carton as a working surface to prevent product damage during assembly

Weight Limitation



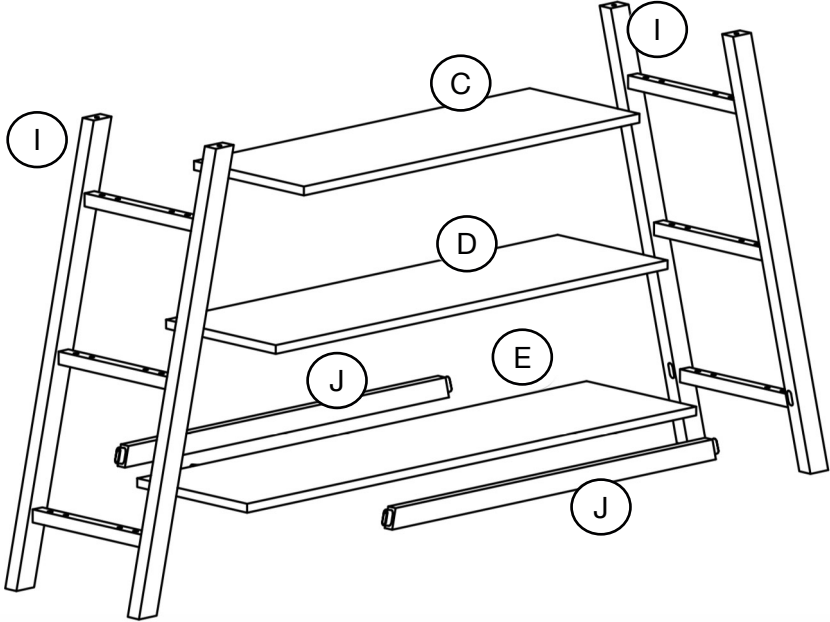
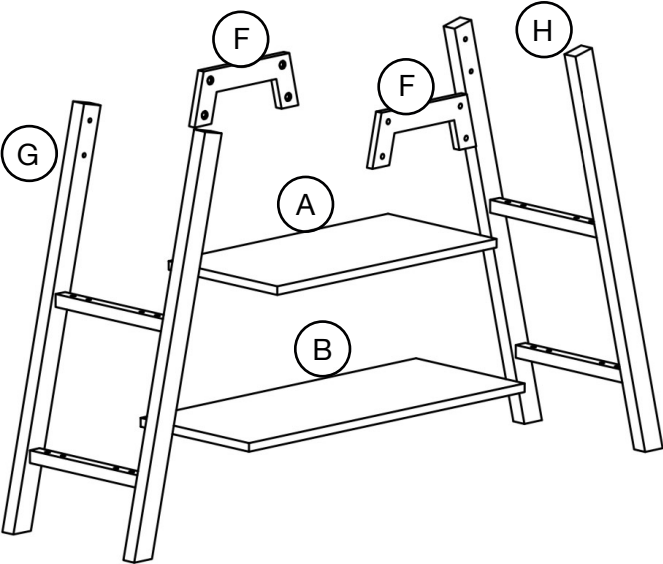
75
lbs

What's included

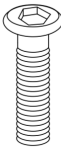
Code	Description	Qty
A	Shelf	1
B	Shelf	1
C	Shelf	1
D	Shelf	1
E	Shelf	1
F	Connect	2
G	Left frame leg upper	1
H	Right frame leg upper	1
I	Frame leg lower	2
J	Stretcher leg	2
1	$\frac{1}{4}$ x 1 inch hex button head bolt	28
2	Allen key	1
3	$\frac{1}{8}$ x 1 $\frac{3}{4}$ inch phillip fat-head screw	4
4	10 x 25 wood dowel	20
5	10 x 80 metal dowel	4

Toll-free at 1-866-619-1004
Help@nathanjames.com
Nathanjames.com/help

The goods



1



2



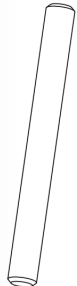
3



4



5

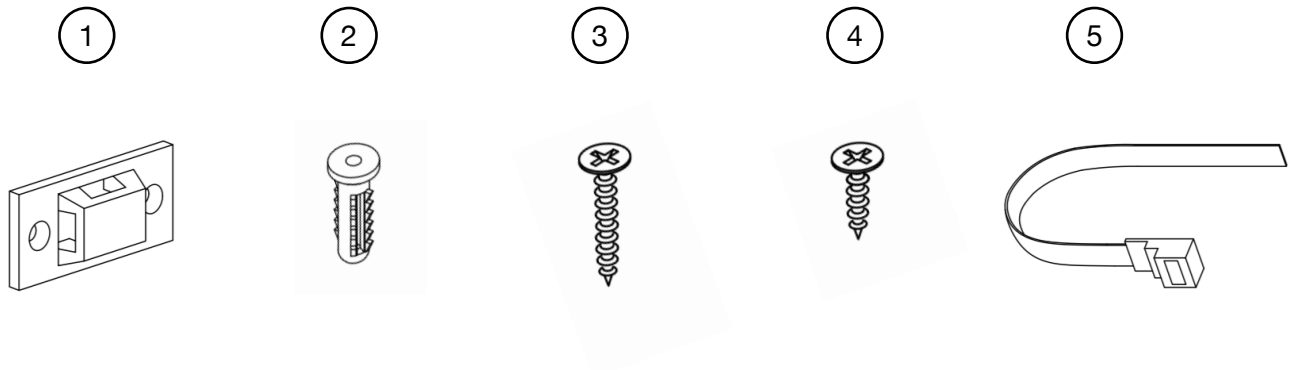


What's included

Hardware: Anti-tip kit

Code	Description	Qty
1	Mounting bracket	2
2	Wall anchor	2
3	$\frac{1}{8}$ x 1 inch longer screw	2
4	$\frac{1}{8}$ x $\frac{1}{2}$ inch short screw	2
5	Strap	1

The goods

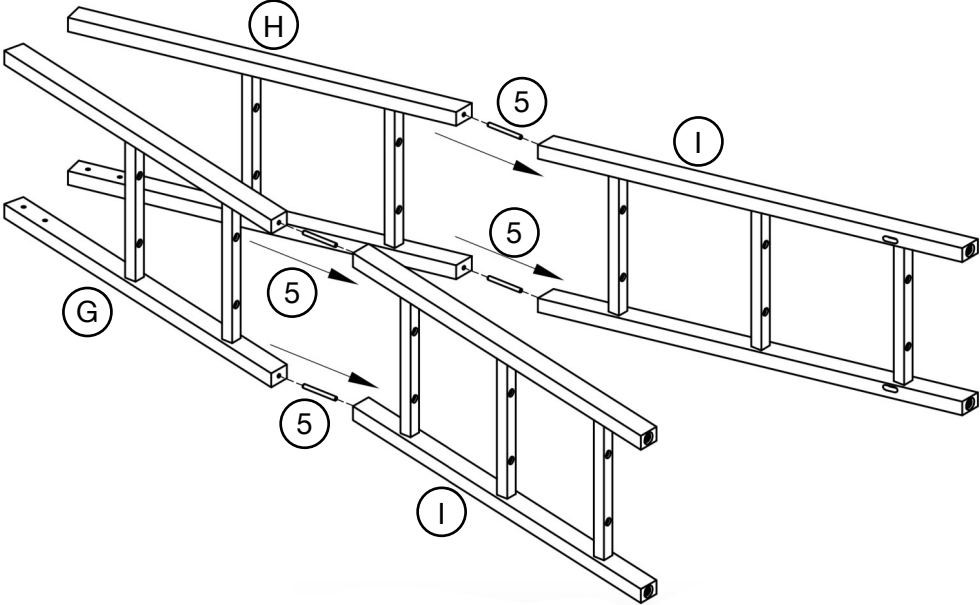


IMPORTANT:

1. Do not tighten bolts / screws completely until all bolts / screws are lined up and inserted into holes.
2. Do not over tighten screws and bolts to avoid stripping.
3. Please use hand tools to assemble this product. Do not use power tools.

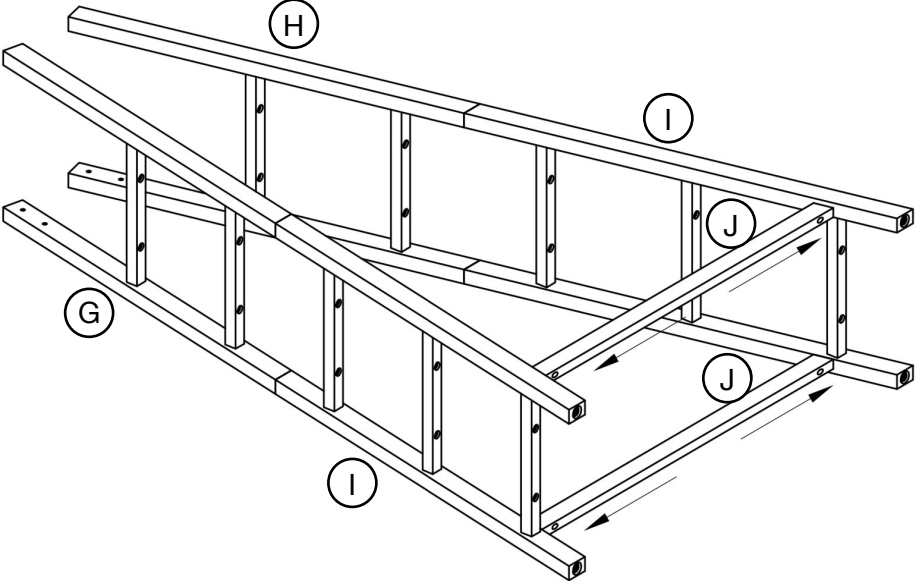
Step 1

You know what they say: never skip leg day.
Attach frame leg upper to frame leg lower.



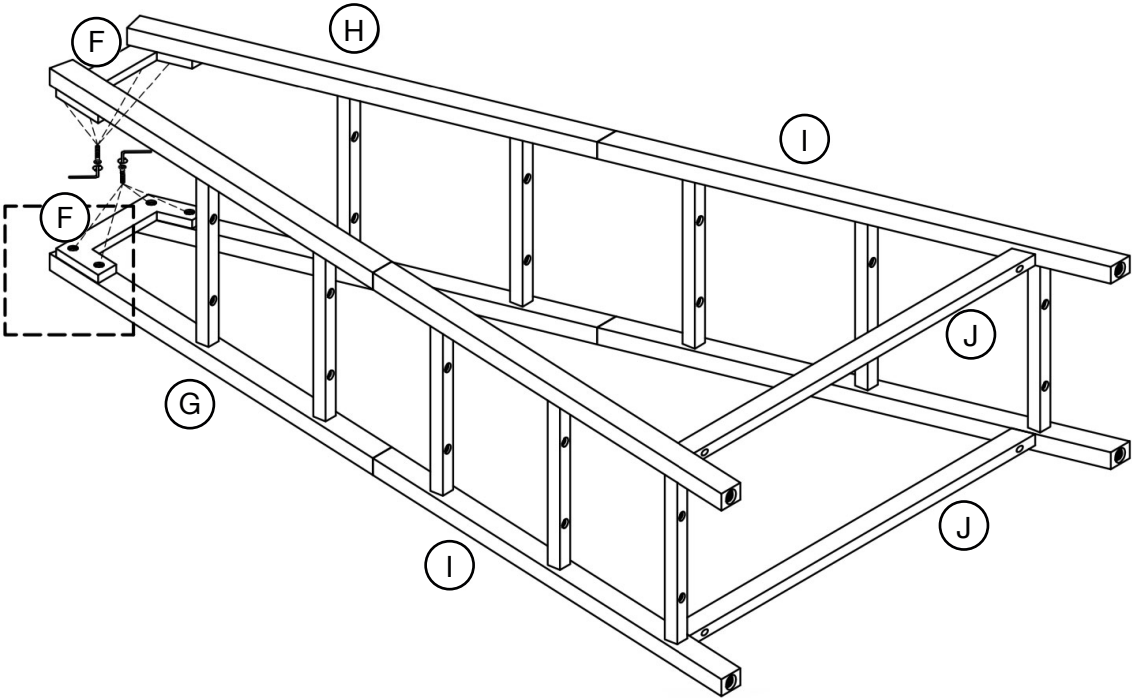
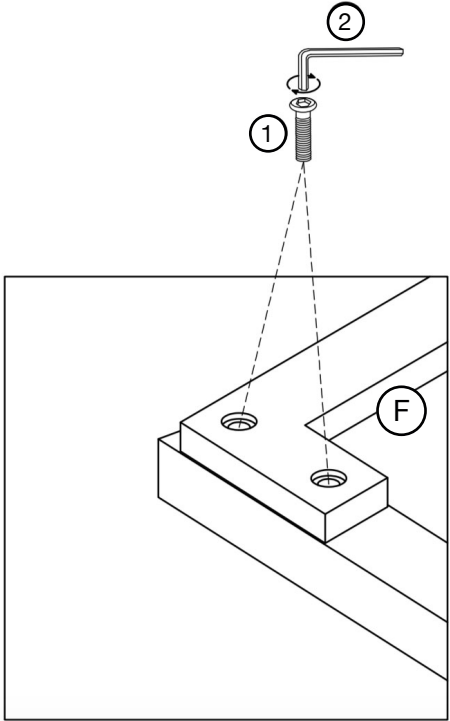
Step 2

Attach stretcher to frame leg.



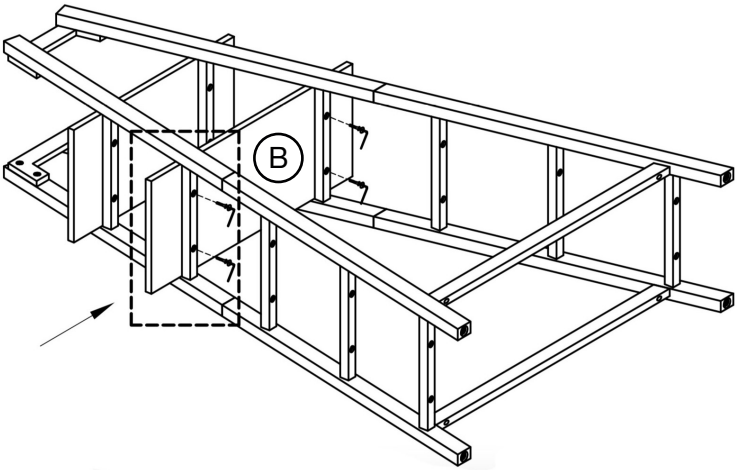
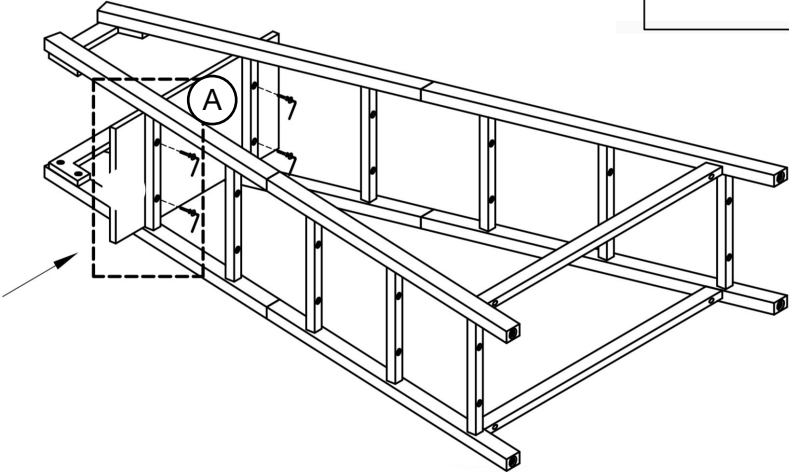
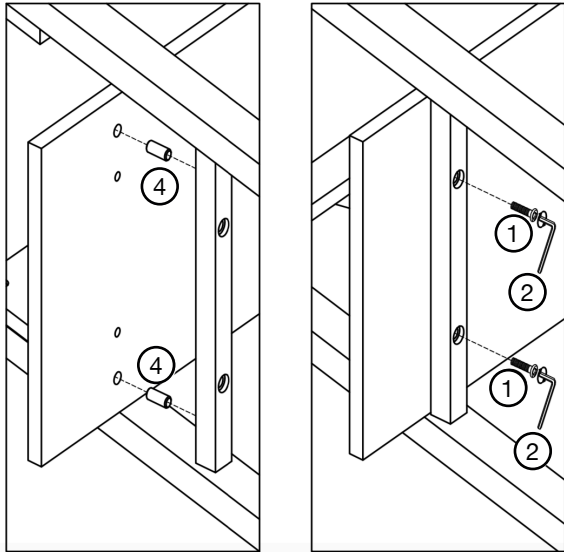
Step 3

Attach connect to frame legs upper.

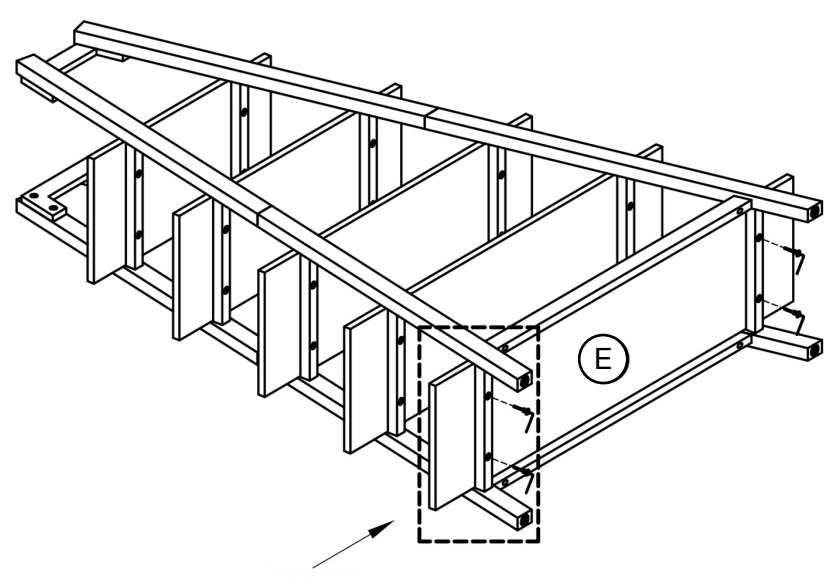
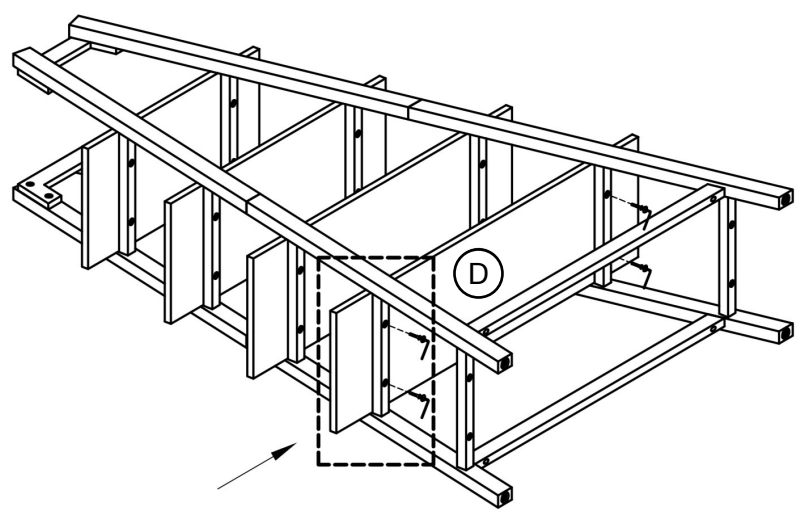
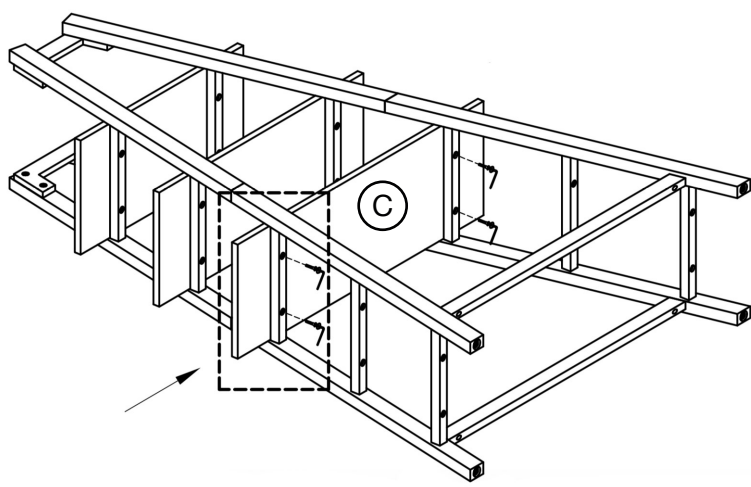


Step 4

Attach each shelf to frame legs.

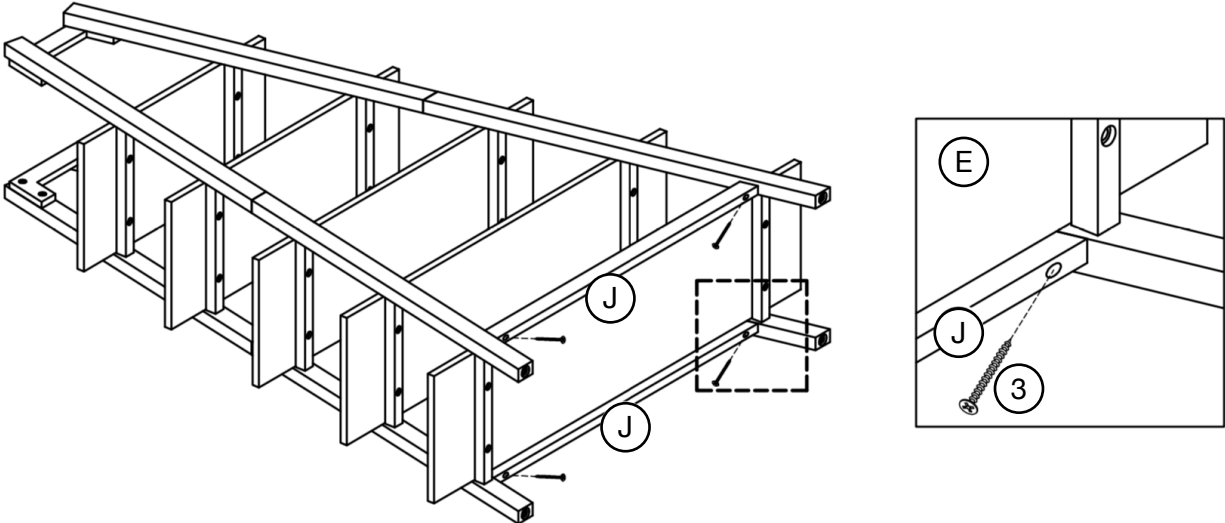


Three more shelves to go!
You got this!

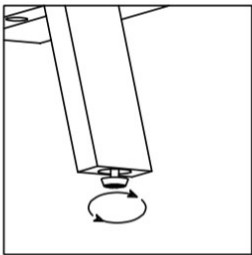
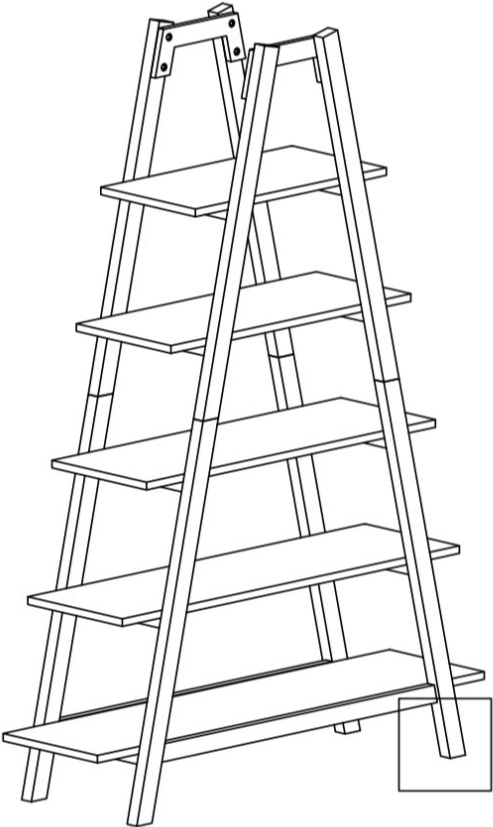


Step 5

Attach stretcher to frame leg with screw.



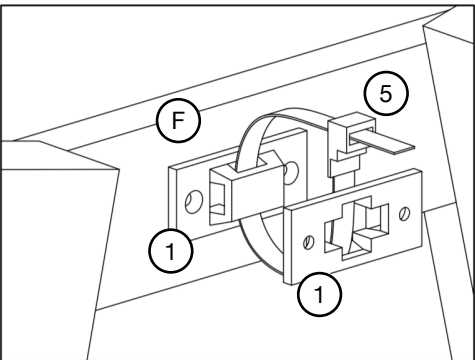
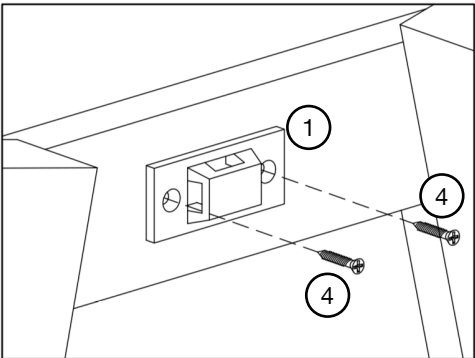
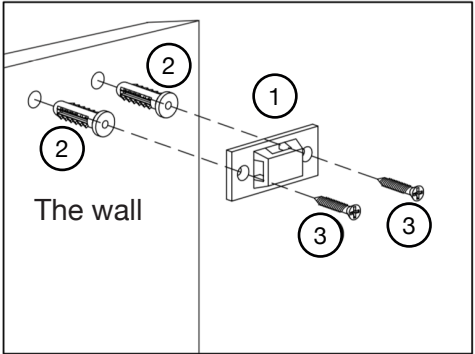
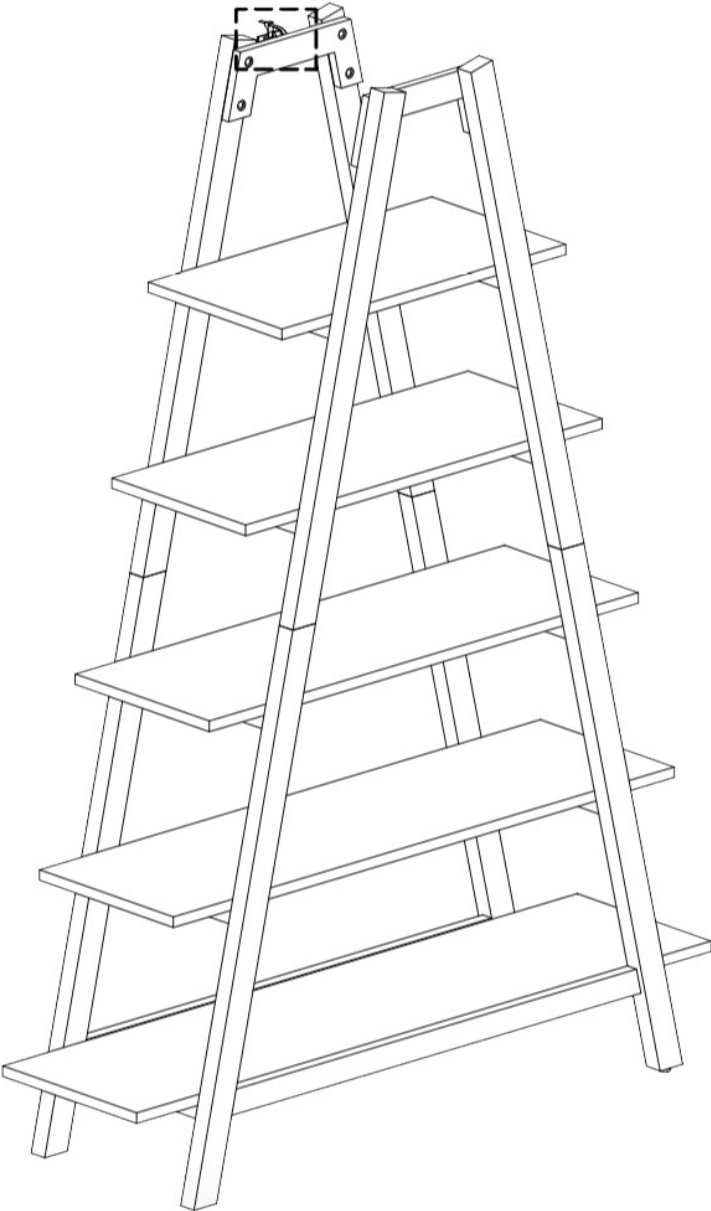
You did it! Now order that celebratory pizza, grab a friend to help, and flip your bookshelf over!



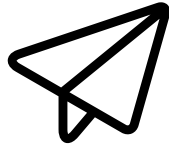
Adjust bottom screw to tighten.

Step 6

Attach anti-tip kit and bookcase to the wall.



Okay, now you're really done. Pizza should be here any minute! Enjoy!



No heartburn, when we handle the return

Give us a call **1-866-619-1004** or shoot us
a message at **help@nathanjames.com**
we will issue you a free replacement
with **zero hassle.**

Our way



Give us a call



Replacement



You

Their way



Re-package item



Schedule pick up



Track package



Replacement



You

We really don't want you to go through the hassle of re-packaging your item and sending it back, because let's be honest...nobody has time for that.

Safety first, fun later

We want your bookcase to last as long as possible, so we recommend that you tighten the screws 2 weeks after assembly and for added safety check the tightness of all screws every 2 months.

For proper care and treatment of wood please check our website at NathanJames.com/products

Safety use of this product starts with you.

Use this bookcase responsibly with the primary concern for your safety. Follow assembly instructions carefully and inspect product upon receipt and each use.

Nathan James and its parent companies cannot be held legally responsible for any injuries or death resulted from failure to follow instructions or improper use of this product.

Proper Use

- DO NOT** use for commercial purposes
- DO NOT** place on uneven floor or surface
- DO NOT** use as a step-stool or stand on bookcase
- DO NOT** put hot serving liquid directly on the shelves
- DO NOT** leave spilled liquid on the shelves
- DO NOT** use if bookcase is damaged or broken
- DO NOT** make temporary repairs
- DO NOT** use outdoors

We are only in business if you're happy

For starters,
thanks for being you.

☎ Toll-free at 1-866-619-1004
✉ Help@nathanjames.com
🌐 NathanJames.com/help

We do our best to ensure your furniture arrives without any problems, but occasionally mistakes happen - as humans we are imperfect beings. In the event that a part is damaged or missing, we will be more than happy to provide you with replacement part(s) for free.

Warranty

This product comes with a lifetime warranty from the date of purchase. Please use your phone to scan the QR code to register your product or visit <https://goo.gl/i9dk3q>



Did we do alright? Please spread the love!

If you are happy with your product, tell your friends and family about us or even better leave us a review online. Spreading the word gives us the opportunity to make more people happy and keep our prices low for your next purchase.

Brooklyn Burdon

- Founder, Nathan James