

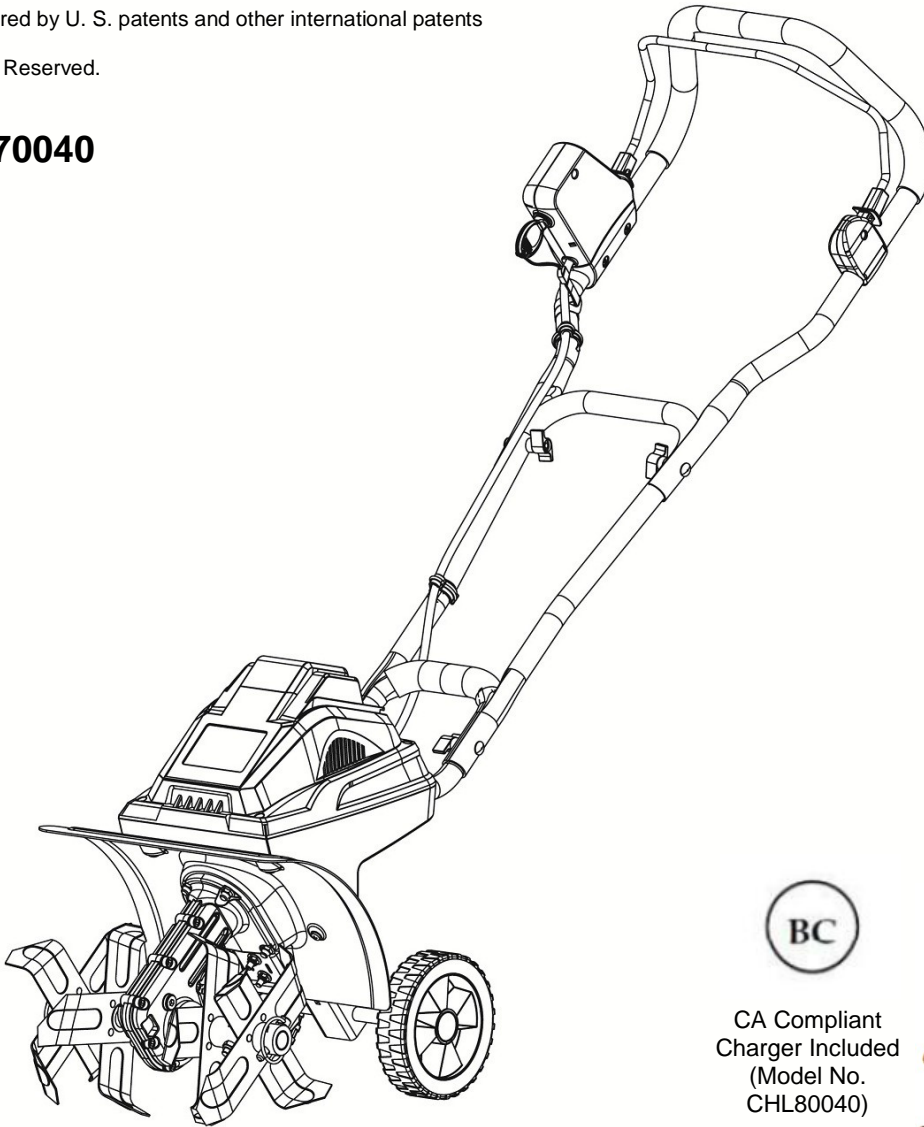


# OPERATOR'S MANUAL

## Lithium Tiller/Cultivator

This product is covered by U. S. patents and other international patents  
Copyright All Rights Reserved.

### Model TC70040



CA Compliant  
Charger Included  
(Model No.  
CHL80040)



Intertek  
3189723  
CONFORMS TO UL  
STD No.82,  
CERTIFIED TO  
CAN/CSA STD C22.2  
No.147-15

This product has been engineered and manufactured to our high standard for dependability, ease of operation, and operator safety. Properly cared for, it will give you years of rugged, trouble-free performance.



**WARNING:** To reduce the risk of injury, the user must read and understand the operator's manual before using this product.

**BATTERY MUST BE CHARGED BEFORE FIRST USE.**

Thank you for your purchase.

DO NOT RETURN THIS PRODUCT TO THE STORE. OPERATING, ASSEMBLY, PARTS, SERVICE QUESTIONS?  
CALL 1-800-313-5111 BETWEEN 8:00AM-5:00PM EST FOR ASSISTANCE.

**SAVE THIS MANUAL FOR FUTURE REFERENCE**

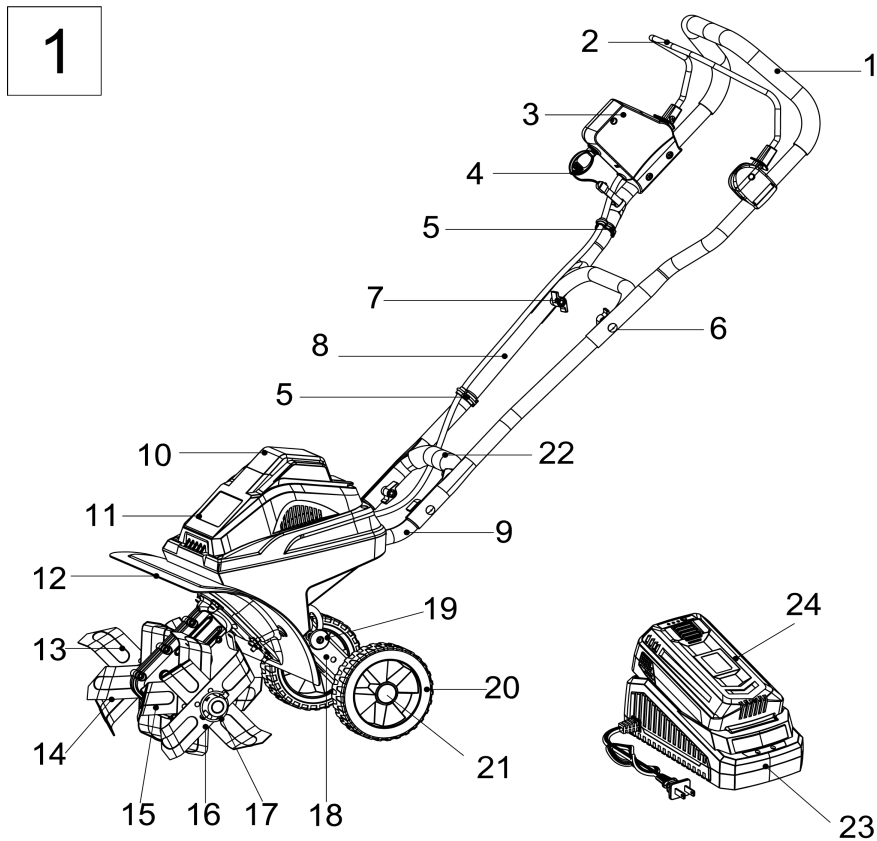
## TABLE OF CONTENTS

Product Specifications . . . . .	2	Maintenance . . . . .	10
Symbols . . . . .	3	Charging the Battery . . . . .	11
Safety Warnings . . . . .	4 - 5	Storage . . . . .	12
Assembly . . . . .	6 - 7	Troubleshooting . . . . .	13
Operating . . . . .	8 - 9	Warranty . . . . .	14

## PRODUCT SPECIFICATIONS

Model: TC70040

Input:	40V, DC only	Working width:	7-IN or 11-IN
Battery:	40V, 4.0Ah Lithium Ion	Working depth max:	8-IN
Tine Speed:	130 RPM	Working time:	45 Minutes
Weight:	28 Pounds	Charging time:	2 1/2 Hours



No.	Description (P/N)	No.	Description (P/N)
1	Upper handle section (RTC70040-01 & 05)	13	Tine D (RTC70040-29)
2	Bail wire (RTC70040-10)	14	Tine C (RTC70040-30)
3	Switch box & power cable assy (RTC70040-02)	15	Tine B (RTC70040-33)
4	Key (RTC70040-11 & 12)	16	Tine A (RTC70040-34)
5	Cable clip (RTC70040-07)	17	Lock pin (RTC70040-36)
6	Handle bolt M6x45 (RTC70040-08)	18	Wheel frame (RTC70040-41)
7	Wing nut (RTC70040-09)	19	Release button (RTC70040-47)
8	Center handle (RTC70040-03)	20	Wheel (RTC70040-40)
9	Lower handle (RTC70040-13)	21	Wheel hub cap (RTC70040-39)
10	Battery pack cover (RTC70040-19)	22	Auxiliary handle (RTC70040-52)
11	Battery pack housing (RTC70040-20)	23	Battery charger (RTC70040-51)
12	Protective shield (RTC70040-24)	24	Li-Ion Battery, 40V/4Ah (RTC70040-04)

## SYMBOLS

Some of the following symbols may be used on this product. Please study them and learn their meaning. Proper interpretation of these symbols will allow you to operate the product better and safer.



Precautions that involve your safety.



Read the instruction manual and follow the warning and safety instructions!



**SWITCH OFF!** Remove plug from outlet immediately if the cable is damaged or cut.



**SWITCH OFF!** Remove key and battery pack from unit before cleaning or maintenance.



Do not use in wet weather conditions.



Wear eye and ear protection.



Keep bystanders at a safe distance.



**DANGER!** Rotating blades. Keep hands and feet at a safe distance.



**DANGER!** Of being hit by thrown objects.



Waste electrical products should not be disposed of with household waste. Please recycle where facilities exist. Check with your Local Authority or retailer for recycling advice.



## IMPORTANT SAFETY WARNINGS



**TO REDUCE RISK OF INJURY:** Before any use be sure everyone using this product reads and understands all safety instructions and other information contained in this manual.



**CAUTION:** Wear appropriate personal hearing protection during use. Under some conditions and duration of use, noise from this product may contribute to hearing loss.

Save these instructions and review frequently prior to use and in instructing others.



**WARNING:** When using electric appliances, basic safety precautions should always be followed to reduce risk of fire, electric shock, and personal injury, including the following:

**READ ALL INSTRUCTIONS**

## GENERAL SAFETY

**CHECK FOR DAMAGED PARTS** - Before further use of the product, any part that is damaged should be carefully checked to determine that it will operate properly and perform its intended function. Check for alignment of moving parts, binding of moving parts, breakage of parts, mounting and any other condition that may affect its operation. Any part that is damaged should be properly repaired or replaced. For assistance call our customer service help line at 1-800-313-5111.

**AVOID DANGEROUS ENVIRONMENTS** - Don't use this product in rainy or stormy conditions. Do not operate in gaseous or explosive atmospheres. Motors in these products normally spark, and the sparks might ignite fumes.

**KEEP CHILDREN AWAY** - All visitors, children and pets should stay at a safe distance from the work area.

**DRESS PROPERLY**- Don't wear loose clothing or jewelry and wear protective hair covering to contain long hair. They can be caught in moving parts. Use of rubber gloves and substantial footwear is recommended when working outdoors.

**USE SAFETY GLASSES** - Wear safety glasses with side shields or goggles that are marked to comply with ANSI Z87.1 standard when operating this product.

Grip the bail wire firmly with both hands. Never operate the tiller/cultivator with one hand.

**AVOID ACCIDENTAL STARTING**—Don't carry tiller when key is inserted or the battery is installed. Be sure key is removed when installing battery.

**DO NOT FORCE TILLER** - It will perform better and safer at the rate for which it was designed.

**DON'T OVERREACH** - Guide the tiller at a walking pace only. Keep proper footing and balance at all times.

**LIGHTING** - Only operate your tiller in daylight or good artificial light.

**STORE IDLE UNIT INDOORS**-When not in use, the tiller should be stored indoors in a dry area out of children's reach.

**MAINTAIN UNIT WITH CARE**-Keep clean for best performance and to reduce the risk of injury. Keep handles dry, clean and free from oil.

Do not operate the tiller on a slope that is too steep for safe operation. When on slopes, slow down and make sure you have good footing.

Before starting the tiller make sure the tines are not touching any object and are free to move.



**WARNING:** Keep hands away from moving parts. Tines do not stop immediately after the tiller/cultivator is turned off. Do not put hands, feet or any body part or clothing near the rotating tines.



**DANGER: RISK OF CUT**- Wear gloves and use caution when cleaning or performing maintenance on the tiller/cultivator.

**REMOVE THE BATTERY** from the tiller when not in use or when servicing or cleaning. Do not leave unattended.

Always remove the switch key and the battery pack and wait until the tines come to a complete stop before carrying out any maintenance or repairs.



**CAUTION:** The tiller/cultivator may bounce upward and/or jump forward if the tines strike extremely hard packed soil, frozen ground, or buried obstacles such as large stones, roots or stumps.



**WARNING:** Do not operate the tiller/cultivator near underground electrical cables, telephone lines, pipes or hoses.



**USE RIGHT APPLIANCE** - Do not use this product for any job except that for which it is intended.

If the tiller strikes a foreign body, turn it off immediately, wait for the tines to stop and check for damage. If necessary, repair before restarting.

**STAY ALERT** - Watch what you are doing. Use common sense. Do not operate the tiller when you are tired or under the influence of drugs, alcohol or medications.

If the tiller starts to vibrate abnormally, turn it off immediately and check for the cause. Vibration is generally a warning of trouble.

## GENERAL SAFETY

-  **WARNING: California Proposition 65:** This product contains chemicals known to the State of California to cause cancer, birth defects or other reproductive harm.
-  **WARNING:** Some dust and debris created by this tool could contain chemicals known to the State of California to cause cancer, birth defects or other reproductive harm. Some examples of these chemicals are:
- chemicals in fertilizer
  - compounds in insecticides, herbicides and pesticides
  - arsenic and chromium from chemically treated lumber
- Your risk of exposure to these chemicals varies depending on how often you do this type of work. To reduce your exposure, work in a well ventilated area and with approved safety equipment such as dust masks that are specially designed to filter out microscopic particles.

## SAFETY RULES FOR CHARGER

Do not abuse the cord. Never use the cord for carrying, pulling or unplugging the charger. Keep cord away from heat, oil, sharp edges or moving parts. Damaged or entangled cords increase the risk of electric shock.

Use of an attachment not recommended or sold by the battery charger manufacturer may result in a risk of fire, electric shock, or injury to persons. Following this rule will reduce the risk of electric shock, fire, or serious personal injury.

Do not service tiller with battery or switch key installed.

Do not use the charger when the ambient temperature is above 100°F (37.8°C) or below 32°F (0°C).

Do not operate charger with a damaged cord or plug which could cause shorting and electric shock. If damaged, replace the charger with an identical charger from an authorized service provider.

Do not operate charger if it has received a sharp blow, been dropped or otherwise damaged in any way. Take it to a qualified individual for electrical check to determine if the charger is in good working order.

Unplug charger from outlet before attempting any maintenance or cleaning to reduce the risk of electric shock.

Disconnect charger from the power supply when not in use to prevent damage to the charger during a power surge.

Risk of electric shock, Do not touch uninsulated portion of output connector or uninsulated battery terminal.

Do not expose charger to wet or damp conditions, Water entering charger will increase the risk of electric shock.

Make sure cord is located so that it will not be stepped on, tripped over, come in contact with sharp edges or moving parts or otherwise be subjected to damage or stress. This will reduce the risk of accidental falls, which could cause injury and damage to the cord, which could result in electric shock.

Keep cord and charger away from heat to prevent damage to housing or internal parts.

Do not let gasoline, oils, petroleum-based products, etc. come in contact with plastic parts. They contain chemicals that can damage, weaken or destroy plastic.


An extension cord should not be used unless absolutely necessary. Use of improper extension cord could result in a risk of fire and electric shock. If extension cord must be used, make sure:


- a. That pins on plug of extension cord are the same number, size and shape as those of the plug on charger
- b. That extension cord is properly wired and in good condition; and
- c. That wire size is large enough for AC ampere rating of charger as specified below:

Cord length (Feet) -	25'	50'	100'
Cord Size (AWG) -	16	16	16

NOTE: AWG= American Wire Gauge

Save these instructions. Refer to them frequently and use them to instruct others who may use this product. If you loan someone this tiller, loan them these instructions also.

 **WARNING:** Keep all connections dry and off the ground. Do not touch plug with wet hands.

 **FCC WARNING:** Please note that changes or modifications to this product not expressly approved by the party responsible for compliance could void the user's authority to operate the equipment.

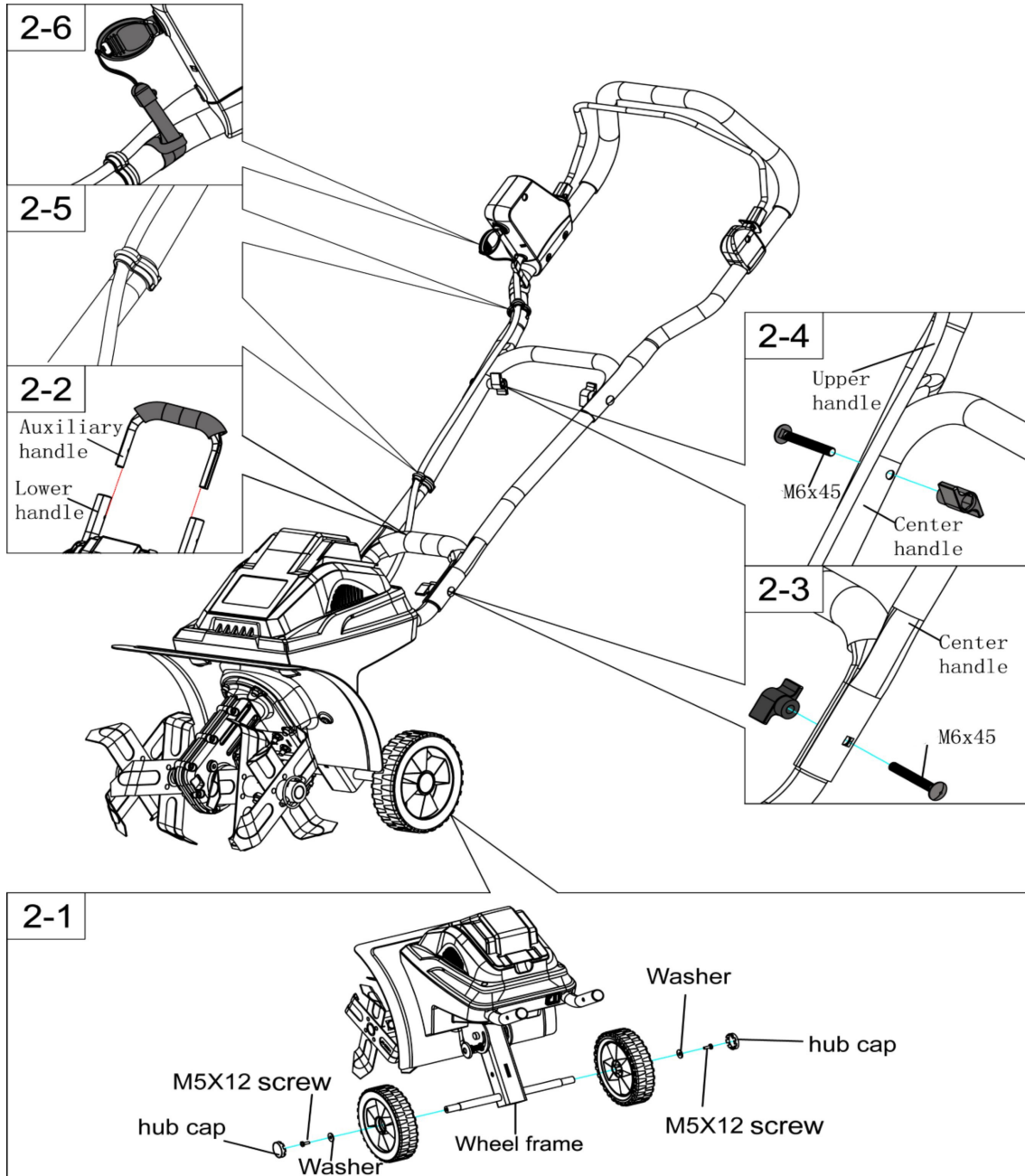
NOTE: This equipment has been tested and found to comply with the limits for a Class B digital device, pursuant to Part 15 of the FCC Rules. These limits are designed to provide reasonable protection against harmful interference in a residential installation. This equipment generates, uses and can radiate radio frequency energy and, if not installed and used in accordance with the instructions, may cause harmful interference to radio communications. However, there is no guarantee that interference will not occur in a particular installation. If this equipment does cause harmful interference to radio or television reception, which can be determined by turning the equipment off and on, the user is encouraged to try to correct the interference by one or more of the following measures:

- Reorient or relocate the receiving antenna.
- Increase the separation between the equipment and receiver.
- Connect the equipment into an outlet on a circuit different from that to which the receiver is connected.
- Consult the dealer or an experienced radio/TV technician for help.

## ASSEMBLY

This product must be assembled correctly before use.

1. Remove the screws (M5 X 12) and washers from each end of the wheel frame axle. Assemble the wheels onto the axle, then install washers and screws (M5 X 12) to secure. (Fig. 2-1)
2. Press the hub caps into the wheels and cover the ends of the axles. You may use a hammer to seat the hub caps securely into the wheels. (Fig. 2-1)
3. Align the auxiliary handle with the lower handles. Make sure the holes are aligned. (Fig. 2-2)
4. Attach the center handle to the auxiliary handle and the lower handles using the two supplied M6 X 45 bolts and wing nuts. (Fig. 2-3)
5. Fasten the upper handle to the center handle using the two supplied M6 X 45 bolts and wing nuts. (Fig. 2-4)
6. Use the two supplied cable clips to secure the cord to the handle. (Fig. 2-5)
7. Attach the key strap to the handle as shown. (Fig. 2-6) When not in use, remove the key and place it out of reach of children.

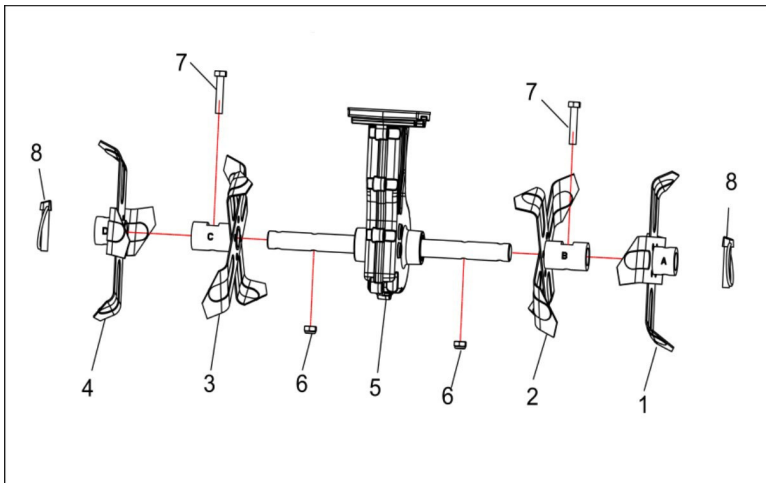


**WARNING:** If any parts are damaged or missing do not operate this product until the parts are replaced. Failure to heed this warning could result in serious personal injury. Call our customer service help line at -800-313-5111 for assistance.

**WARNING:** Do not attempt to modify this product or create accessories not recommended for use with this product. Any such alteration or modification is misuse and could result in a hazardous condition leading to possible serious personal injury.

**WARNING:** Do not install battery until assembly is complete. Failure to comply could result in accidental starting and possible serious personal injury.

## ADJUSTABLE TINE ASSEMBLY INSTRUCTION



NO.	Description	QTY
1	Tine A	1
2	Tine B	1
3	Tine C	1
4	Tine D	1
5	Transmission case assy	1
6	Hex lock nut M8	2
7	Hex head bolt M8 x 40	2
8	Lock pin $\varnothing 8$	2

**Tines are identified (A,B,C,D) with letters stamped into the Tine Hubs.**

**⚠ DANGER:** Before adjusting tine assembly, make sure the battery is removed from the battery compartment and the switch key is removed. Failure to heed this warning could result in serious personal injury.

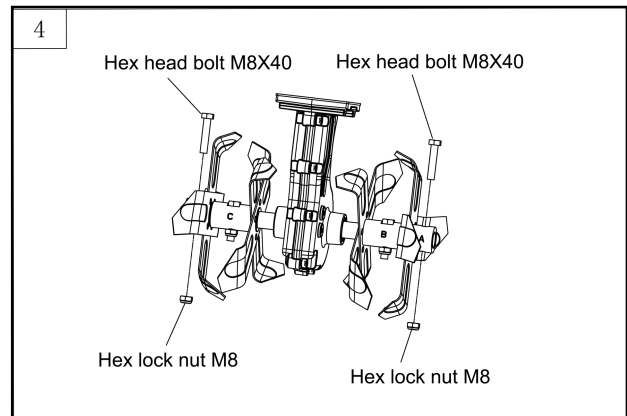
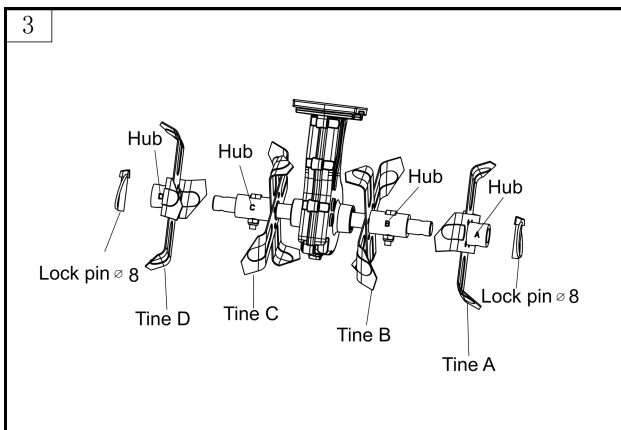
### CHANGE FROM FOUR TINES TO TWO TINES

Lift the Lock Pin rings and remove Lock Pins at both ends of the shaft. Remove Tine A and D from the shaft. (Fig. 3)

### CHANGE FROM TWO TINES TO FOUR TINES

Install Tine A and D onto the shaft as shown. Ensure holes in Tine Hubs and shaft are aligned. Insert Lock Pin into the through holes and pull Lock pin ring downward to lock the Pin into place. Be sure to install Tines as shown in Fig 3. Tines cannot be secured if assembled in other sequence of Tine position. (Fig. 3)

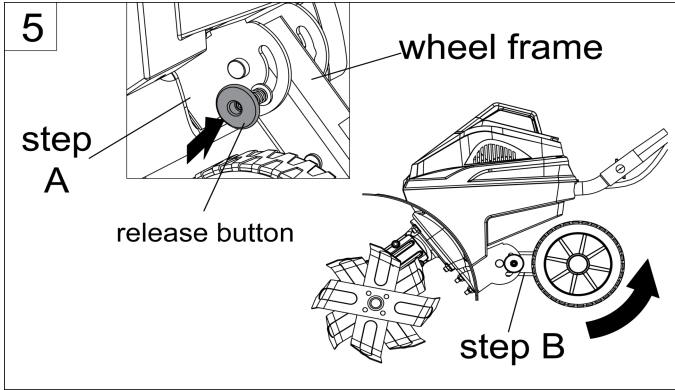
In the event the lock Pins are lost or misplaced, Tines A and D may be secured using the extra M8X40 Hex head bolts and M8 Lock nuts provided. (Fig. 4)



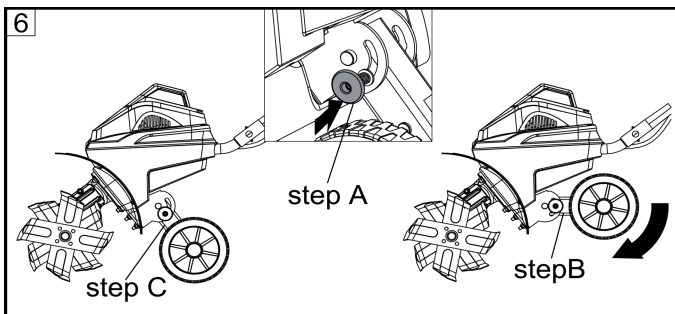
# OPERATING

## STARTING:

Make sure the wheel frame is raised before you start the tiller. To raise the frame, push the release button (Step A); rotate the wheel frame upward to horizontal level (Step B); release the button to lock the wheel frame in position. (Fig. 5)

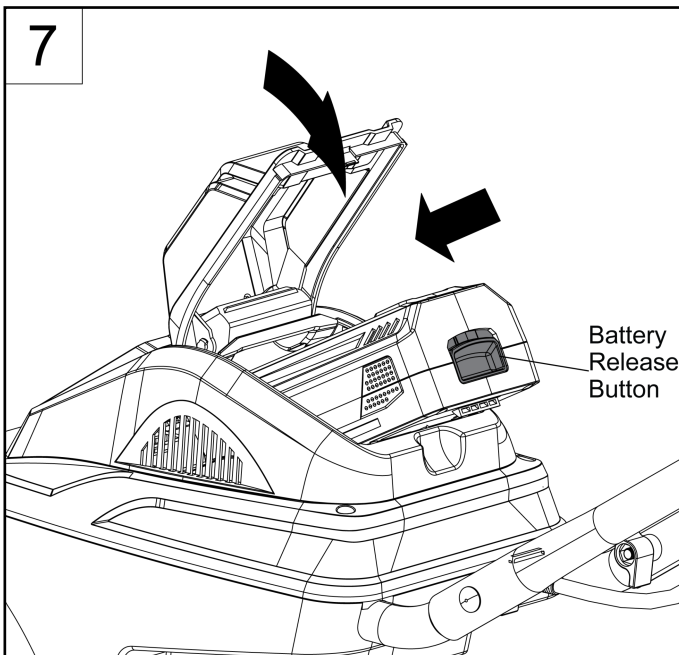


To lower wheel frame, push the release button (Step A). Lower the wheel frame (Step B) and release the button to lock the wheel frame in position (Step C). (Fig. 6)



## INSTALL THE BATTERY

Raise the battery compartment cover and slide the battery down until it clicks to lock it into position. Then close the battery compartment cover. (Fig. 7)



Move the tiller/cultivator to the work area prior to starting the motor.

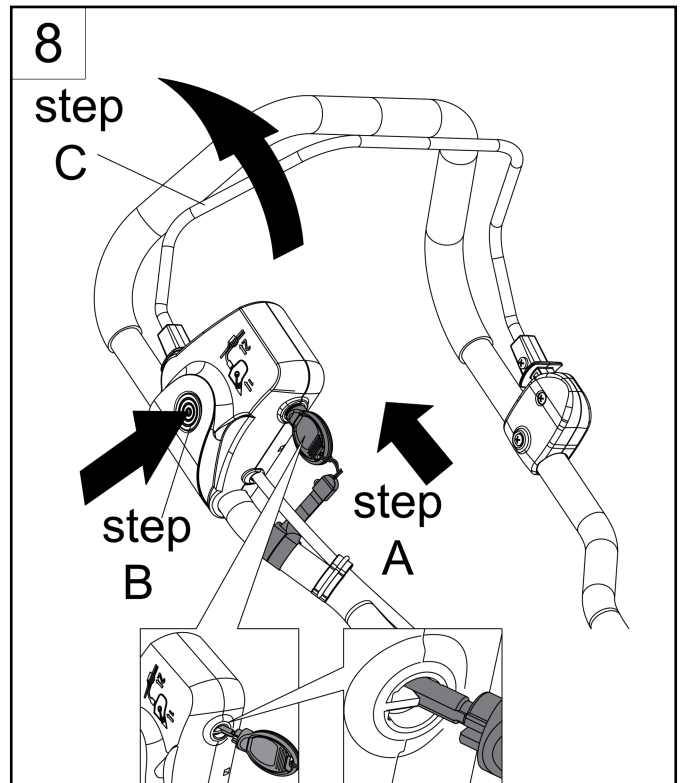
Hold the tiller/cultivator firmly while starting. The tines will pull the tiller/cultivator forward during operation. Lower the tines slowly into the ground being tilled.

To start the tiller/cultivator, insert the switch key into the slot on the switch box (Step A). (Fig. 8)

Align the key groove with the guide in the key hole. Press firmly until key is fully inserted. Do not attempt to turn the key. (Fig. 8)

Push the safety lock button on the switch box and hold to allow activation of the switch control bail wire (Step B). Pull the switch control bail wire toward the handle (Step C) and release the switch button. Continue to hold the switch control bail wire against the tiller handle as you cultivate.

To stop the tiller/cultivator simply release the bail wire. (Fig. 8)





## OPERATING

Use the tiller/cultivator for breaking sod, preparing seed beds, and for cultivating gardens and flower beds. The tiller/cultivator can also dig small holes for planting saplings or potted plants.

For breaking sod or deep tilling, allow the tines to pull the tiller/cultivator forward to the end of your arm's reach, then firmly pull it back toward yourself. You will achieve the best results by repeatedly allowing it to move forward and pulling it back.

By pulling the tiller/cultivator back towards yourself, the tines will dig deeper and more aggressively.

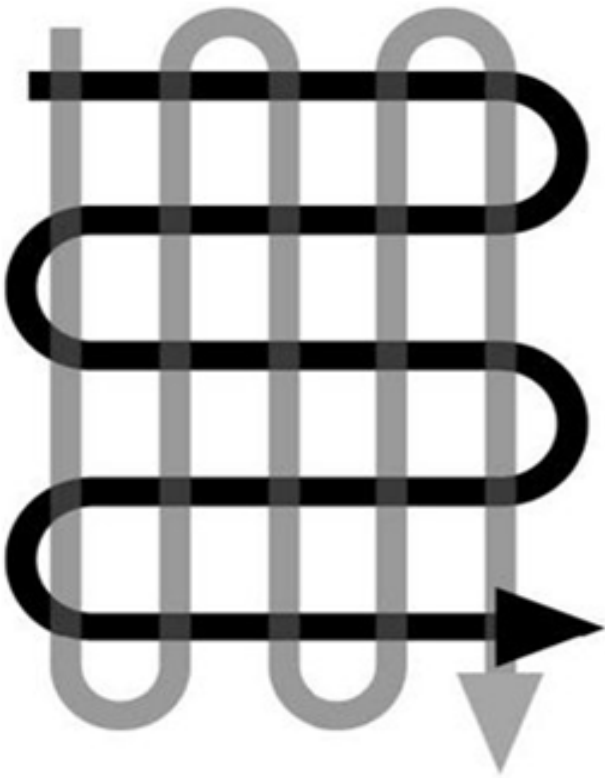
To prevent tripping, take extra precautions when moving backwards and when pulling the tiller/cultivator back toward yourself.

If the tiller/cultivator digs deep enough to stay in one spot, gently rock it side to side until it starts moving forward again.

When working on inclines always stand diagonally to the incline to retain a firm, safe footing. Do not work on extremely steep slopes.

For preparing seed beds, we recommend using one of these tilling patterns: (Fig. 9)

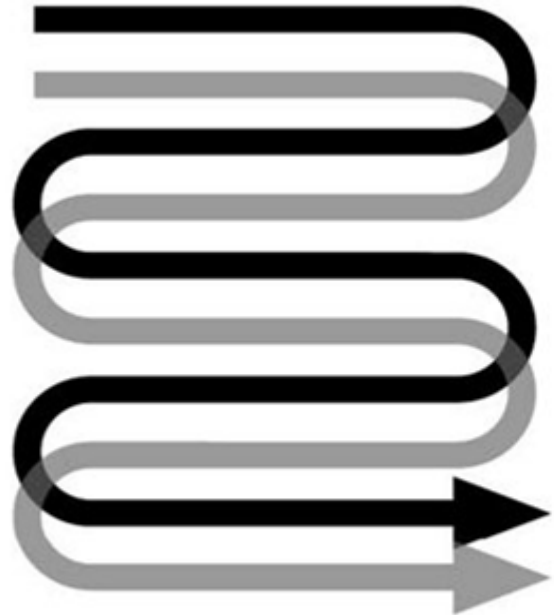
**Tilling Pattern A**– Make two passes over area to be tilled, the second at a right angle to the first.



A

Fig. 9

**Tilling Pattern B** - Make two passes over area to be tilled, the second overlapping the first.



B

Fig. 9

**Before use, remove any visible stones or other foreign bodies from the area.**



**CAUTION:** Before moving the tiller/cultivator from one area to another, release the bail wire and wait for the tines to come to a complete stop. Be careful not to let the tines touch the ground while moving the tiller/cultivator. The tines as well as the unit itself may be damaged even if the motor is switched off.

### Clearing foreign objects:

During operation a stone or root could become lodged in the tines, or tall grass or weeds may become wrapped around the tine shaft. To clear the tines or tine shaft release the bail wire, wait for the tines to come to a complete stop and remove the battery. Dislodge or remove the foreign matter from the tines or tine shaft. To simplify removal of tall grass or weeds from the tine shaft, remove one or more of the tines. See Tine Removal and Installation.

## MAINTENANCE

**DANGER:** Before performing any maintenance, make sure the battery is removed from the battery compartment and the switch key is removed. Failure to heed this warning could result in serious personal injury.

**Before each use** check the condition of the tines and ensure that all threaded connections are securely tightened. If the tines become dull or blunt, sharpen or replace them. Call our customer service help line at 1-800-313-5111 for assistance.

**Once per season** lubricate the tines and shaft. At the end of the season, check the tiller/cultivator for damage prior to storing. Repair or replace damaged or broken parts.

**CAUTION:** Always clean the tiller/cultivator after each use. Failure to carry out proper cleaning can result in damage to the tiller/cultivator or result in poor performance.

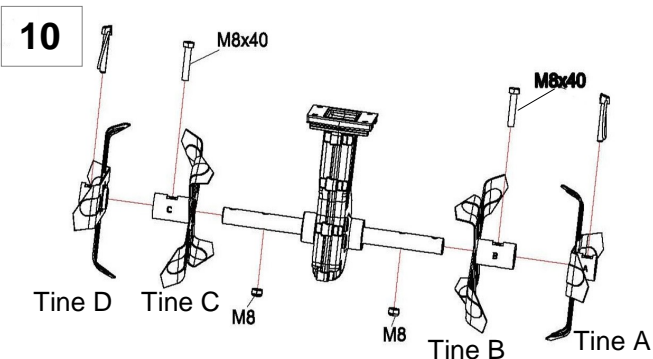
Clean the underside of the protective shield around the tines with a scrub brush, and a soft cloth dampened with a mild soap and water mixture. **Never use a water hose to clean the tiller!** To remove soil and debris from the transmission and tines, use a stiff brush or a dampened cloth. Clean the vents on the motor housing and remove any remaining grass or dirt. Once cleaned, wipe the tines and shaft with a dry cloth and apply a light coat of oil to prevent rust.

**Tines maintenance:** Worn tines invite poor performance and overload of the motor. Check tines before each use. Sharpen or replace the tine assemblies with new ones when necessary. Call 1-800-313-5111 for assistance.

**WARNING:** Injury can occur while working on the tines. Wear protective gloves.

### Tine Removal and Installation (Fig. 10)

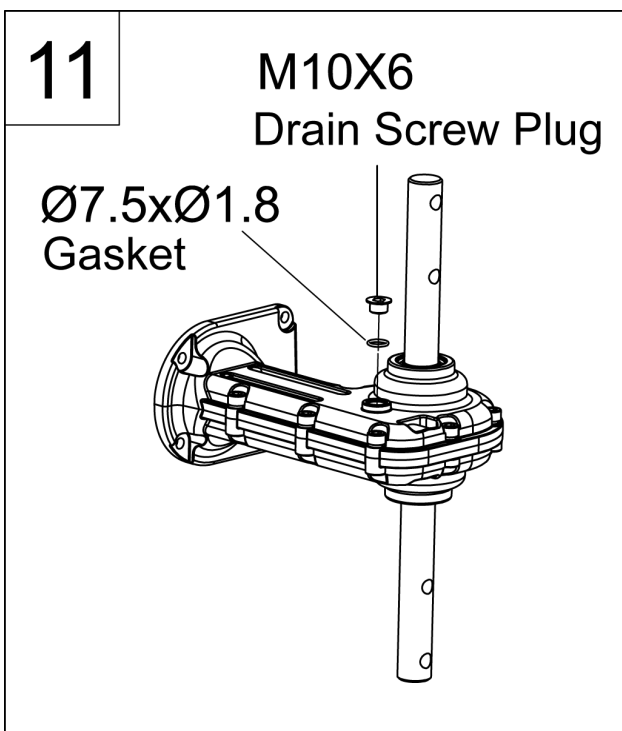
Lift the Lock Pin rings and remove the Lock Pins at both ends of the shaft. Remove Tine A and D from the shaft. Remove the M8x40 bolts and M8 Hex lock nuts at both ends of the shaft. Remove Tine B and C from the shaft. Reverse above steps to install Tines.



Replace worn or damaged parts with original replacement parts only. Parts from another tiller/cultivator will not fit properly causing an unsafe situation.

Make sure all protective devices are secure and in good condition. Repair or replace if necessary.

**Lubrication** (Fig. 11): The tines drive transmission case has grease installed at the factory. It is not required that the grease level be checked nor recommended that grease be added during the first 2 years of use. After the second season of use, follow the directions as described below:



Drain screw plug is located on the right side of transmission housing. Lay the tiller/cultivator on its left side and clean the transmission of dirt and debris prior to removing the drain screw plug. If necessary, remove tine assemblies to have better access to the drain screw plug. Use a 5mm hex key to unscrew the plug.

Using a squeeze bottle or tube, add approximately 2.0 oz. (60ml) of auto gear lube. Do not overfill. When completed, reinstall the drain screw plug into the transmission.

## CHARGING THE BATTERY PACK

### BATTERY METER

Since the tiller battery is shipped in a low charge condition, the battery must be charged before use. The battery has 3 LED lights to indicate battery capacity. These lights will only illuminate when the light indicator button is pushed.

If three GREEN lights illuminate, the battery is charged and ready for use. Two green lights are equal to 25%-80% charge, while one green light is equal to 5%-25% charge.

It is recommended to charge battery pack when one light is illuminated.

### CHARGING THE BATTERY PACK

The tiller comes with maintenance free, sealed 40 volt storage batteries.

- Remove the switch key from the tiller and store in a safe location out of the reach of children.
- Charge the battery pack only with the charger provided.
- Allow at least two hours of charge time before initial use of the tiller.
- Make sure the power supply is normal household voltage, **120 volts, 60Hz, AC only.**
- The battery should be charged in a cool, dry place.
- To improve battery life, store battery indoors in a controlled climate. **Fully charge battery pack every 3 months.**
- Since the battery will not develop a memory, it does not have to be fully discharged before recharging.
- 2 to 3 initial charging/discharging cycles may be required to achieve maximum run time/capacity.
- When fully charged, the battery can be safely stored in temperatures down to -4°F (-20°C) for a period of up to one month before requiring charging. **Fully charge battery pack every 3 months.**
- The battery charger should be operated in temperatures between 32°F and 100°F (0°C and 37,8°C).

### TO CHARGE

Insert the 120 volt plug of the charger into the wall receptacle. Light A will illuminate and stay green. (Fig. 12)

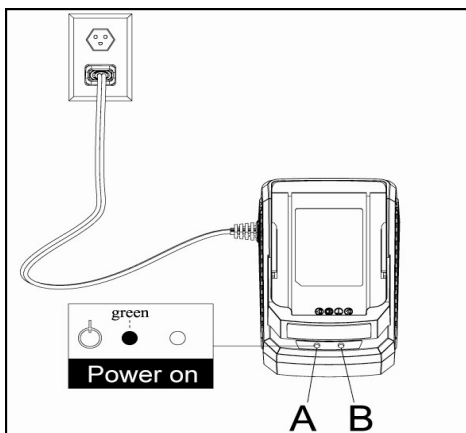
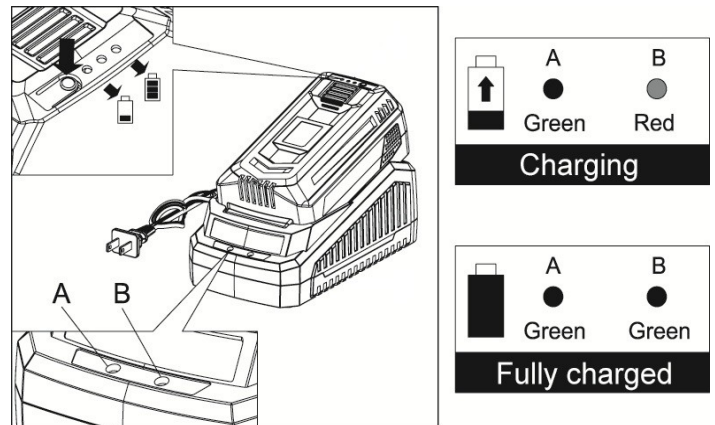


Fig. 12

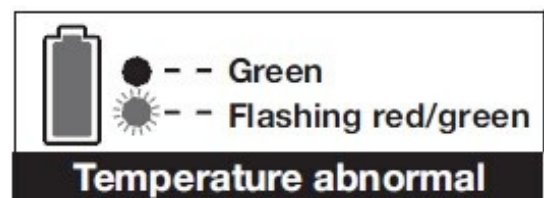
- Place the battery pack into the charger by sliding the pack as shown in Fig. 13 to lock it into position. Light B will illuminate red to indicate that the battery is charging and the three lights on the battery pack will cycle in green.
- When the battery pack is fully charged, light B will turn green and the lights on the battery pack will shut off. (Fig 13)

NOTE: Typical time required to reach a full charge is 2 1/2 hours.

Fig. 13



NOTE: If light A remains green while light B alternately flashes red and green, this indicates a temperature abnormality (i.e. that the battery pack is either too hot or too cold). If there is only a red blinking light, this indicates that something is wrong with the battery. Contact Earthwise customer service center at 1-800-313-5111 for assistance.



If the charging light indicator Light B alternately blinks red and green or it does not come on at all, check that the battery pack is fully seated into the bay. Remove the pack and reinsert. If the problem persists, contact the Earthwise customer service center at 1-800-313-5111 for assistance.

## STORAGE

Store the Tiller/Cultivator in a dry, clean area out of reach of children.

During extended periods of storage, ensure that the tiller/cultivator is protected against corrosion and rust.

**Winter storage - Fully recharge before storage and then again every 90 days.**

At the end of the season, or if the tiller/cultivator is not being used for longer than a month, wipe over all metal surfaces with an oil impregnated cloth to protect them from corrosion or spray with a fine coat of oil. Fold the handle down, and store the tiller/cultivator in a suitable place.

## BATTERY DISPOSAL

Remove the battery pack from the tiller/cultivator. Cover the terminals with heavy duty adhesive tape. Do not attempt to destroy or disassemble battery pack or remove any components. This product contains lithium-ion batteries which must be recycled or disposed of properly. Local, state or federal laws may prohibit disposal of these batteries in the municipal solid waste or rural trash pick up systems.



The RBRC seal on the li-ion battery pack indicates that the costs to recycle the battery pack at the end of its useful life has already been paid by The Great States Corporation / American Lawn Mower Company. It is illegal to place spent li-ion batteries in the local municipal solid waste or in the trash. RBRC in cooperation with The Great States Corporation / American Lawn Mower Company has provided an environmentally friendly and easy way to recycle spent li-ion batteries. Just contact your local recycling center or call 1-800-8BATTERY for information on where to drop off the spent battery.

## TROUBLESHOOTING

Problem	Possible causes	Remedy
Motor does not start	<p>Safety lock button not fully depressed</p> <p>Battery not installed properly</p> <p>Battery is low in charge</p> <p>Battery is either defective or will not take a charge.</p> <p>Overheat protection activated</p>	<p>Check that safety lock button on switch box is fully depressed before pulling the switch control bail wire.</p> <p>Check battery installation.</p> <p>Charge the battery.</p> <p>Replace the battery.</p> <ol style="list-style-type: none"> <li>1. Working depth too large, set to a shorter depth.</li> <li>2. Tines blocked, remove the blockage.</li> <li>3. Soil too hard, select correct work depth and move forward and backward several times while slowing down the operation speed.</li> <li>4. Wait until the motor cools down for about 15 minutes before further use.</li> </ol>
Abnormal noises	<p>Tines are jammed</p> <p>Lubrication running out</p> <p>Bolts, nuts or other components are loose.</p>	<p>Switch off. Wait till tines come to a complete stop and remove battery. Remove jammed material.</p> <p>Tiller/cultivator must be repaired. Call our customer service help line at 1-800-313-5111 for assistance.</p> <p>Tighten all components. Arrange for repair if noises continue.</p>
Abnormal vibrations	<p>Tines damaged or worn</p> <p>Working depth too large</p>	<p>Replace damaged or worn tines.</p> <p>Adjust working depth.</p>
Poor results	<p>Working depth too small</p> <p>Worn tines</p>	<p>Read instructions on page 9 and 10 on how to maneuver cultivator/tiller to get the desired results.</p> <p>Replace damaged or worn tines.</p>

## SERVICE

Now that you have purchased your Tiller/Cultivator, should a need ever exist for repair parts or service, simply contact us at 1-800-313-5111. Be sure to provide all pertinent facts when you call or visit.

## REPAIR PARTS

Please record your serial number in the space provided below.

- NAME OF ITEM                      Tiller/Cultivator
- MODEL NUMBER                  TC70040
- SERIAL NUMBER                  \_\_\_\_\_

**CALL US FIRST !!**

Call us first with questions about operating or maintaining this product at 1.800.313.5111 between 8:00 a.m. – 5:00 p.m. Eastern Standard Time, or send emails to [earthwise@reelin.com](mailto:earthwise@reelin.com).



## OPERATOR'S MANUAL Lithium Tiller/Cultivator

This product is covered by U. S. patents and other international patents

Copyright All Rights Reserved.

### WARRANTY POLICY

#### Two (2) year limited warranty on Earthwise 40 volt outdoor power equipment.

**Earthwise** warrants to the original owner that each new product and service part is free from defects in materials and workmanship and agrees to repair or replace any defective product or part for the warranty period as stated above from the original date of purchase except for the conditions and circumstances listed below:

This warranty applies only to the original purchaser at retail and may not be transferred.

Warranty applies if the product is used for personal, household or family use. Warranty is void if product is used for commercial, industrial or rental purposes.

Warranty does not include repairs necessary due to operator's abuse or negligence (including overloading the product beyond capacity or immersion in water), or the failure to assemble, operate, maintain or store the product according to the instructions in the operator's manual.

This warranty is not transferable and only applies to product sold directly from an authorized retailer. This warranty does not apply to any product, new or used, purchased through unauthorized third-party channels.

ANY INCIDENTAL, INDIRECT OR CONSEQUENTIAL LOSS, DAMAGE, OR EXPENSE THAT MAY RESULT FROM ANY DEFECT, FAILURE OR MALFUNCTION OF THE PRODUCT IS NOT COVERED BY THE WARRANTY. Some states do not allow the exclusion or limitation on how long an implied warranty lasts, so the above limitation may not apply to you.

Products sold damaged or incomplete, sold "as is", or sold as reconditioned are not covered under the warranty.

Damage or liability caused by shipping, improper handling, improper assembly, incorrect voltage, improper wiring, improper maintenance, improper modification or the use of accessories and/or attachments not specifically recommended is not covered by this warranty.

Expendable items that become worn during normal use are not covered by the warranty.

Warranty does not cover damage caused by cold, heat, rain, excessive humidity, corrosive environments and materials, or other contaminants.

Warranty does not include installation, assembly or normal adjustments explained in the operator's manual.

The expense of delivering the product to the vendor and the expense of returning the product or replacement parts to the owner is not covered by the warranty.

The warranty does not cover normal deterioration of the exterior finish, including but not limited to scratches, dents, paint chips or any corrosion or discoloration caused by heat, abrasive and chemical cleaners.

**Proof of purchase, original dated sales receipt, must accompany all warranty claims.**



The Great States Corporation  
American Lawn Mower Company  
830 Webster Street  
Shelbyville, IN 46176  
Phone 1-800-313-5111  
www.earthwisetools.com

In a continued commitment to improve quality, the Manufacturer reserves the right to make component changes or design changes when necessary.

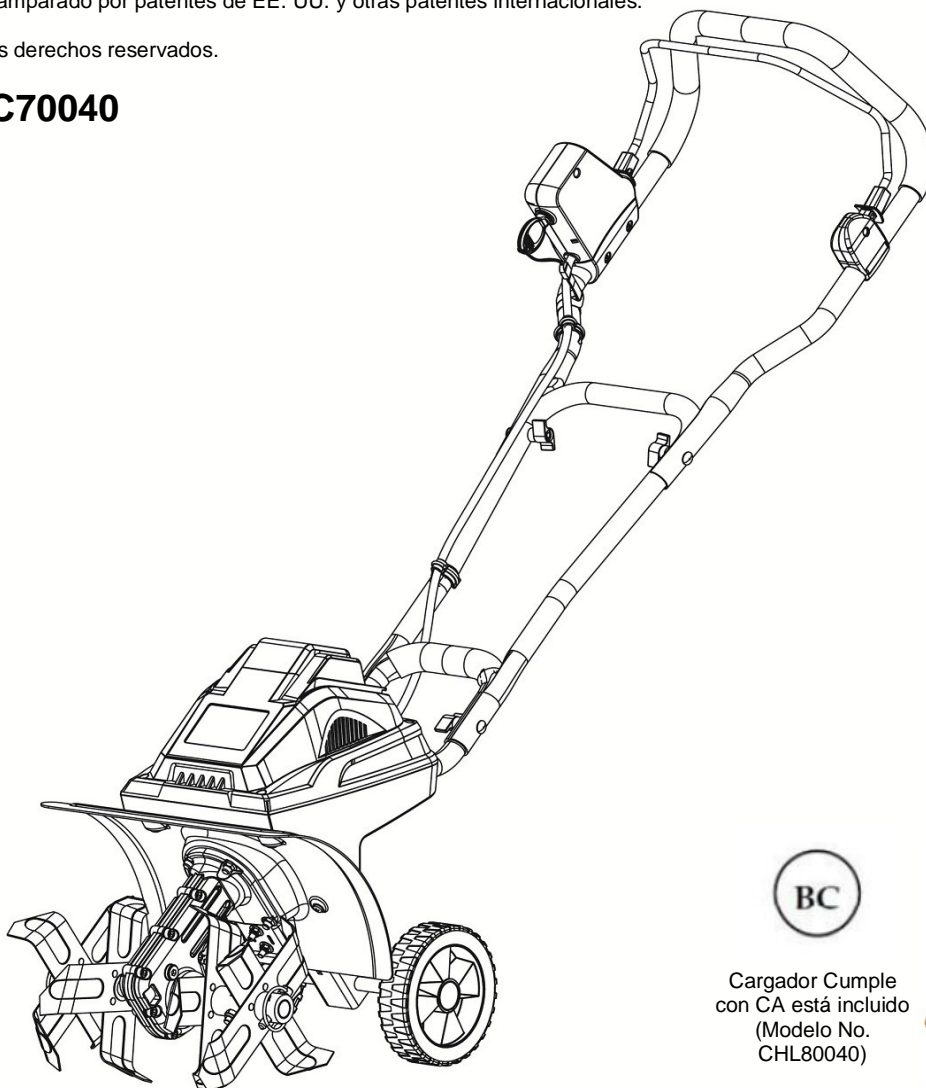


# MANUAL DEL OPERARIO ROTOCULTIVADOR SIN CABLE CON BATERÍA DE IONES DE LITIO

Este producto está amparado por patentes de EE. UU. y otras patentes internacionales.

Copyright. Todos los derechos reservados.

## Modelo TC70040



Cargador Cumple  
con CA está incluido  
(Modelo No.  
CHL80040)



Intertek  
3189723  
CONFORMS TO UL  
STD No.82,  
CERTIFIED TO  
CAN/CSA STD C22.2  
No.147-15

Este producto fue diseñado y fabricado de acuerdo con nuestros altos estándares de confiabilidad, facilidad de operación y seguridad para el operario. Si se trata con cuidado, esta herramienta le otorgará años de óptimo rendimiento y resistencia.



**ADVERTENCIA:** Para reducir el riesgo de sufrir alguna lesión, el usuario debe leer y comprender el manual del operario antes de usar este producto.

## DEBE CARGAR LA BATERÍA ANTES DE UTILIZARLA POR PRIMERA VEZ.

Muchas gracias por su compra.

NO DEVUELVA ESTE PRODUCTO A LA TIENDA. ¿TIENE PREGUNTAS SOBRE EL FUNCIONAMIENTO, EL MONTAJE, LAS PIEZAS Y EL MANTENIMIENTO? LLAME AL 1-800-313-5111 ENTRE LAS 8:00 Y LAS 17:00 HORA DEL ESTE DE LOS ESTADOS UNIDOS.

**GUARDE ESTE MANUAL PARA CONSULTAS FUTURAS**

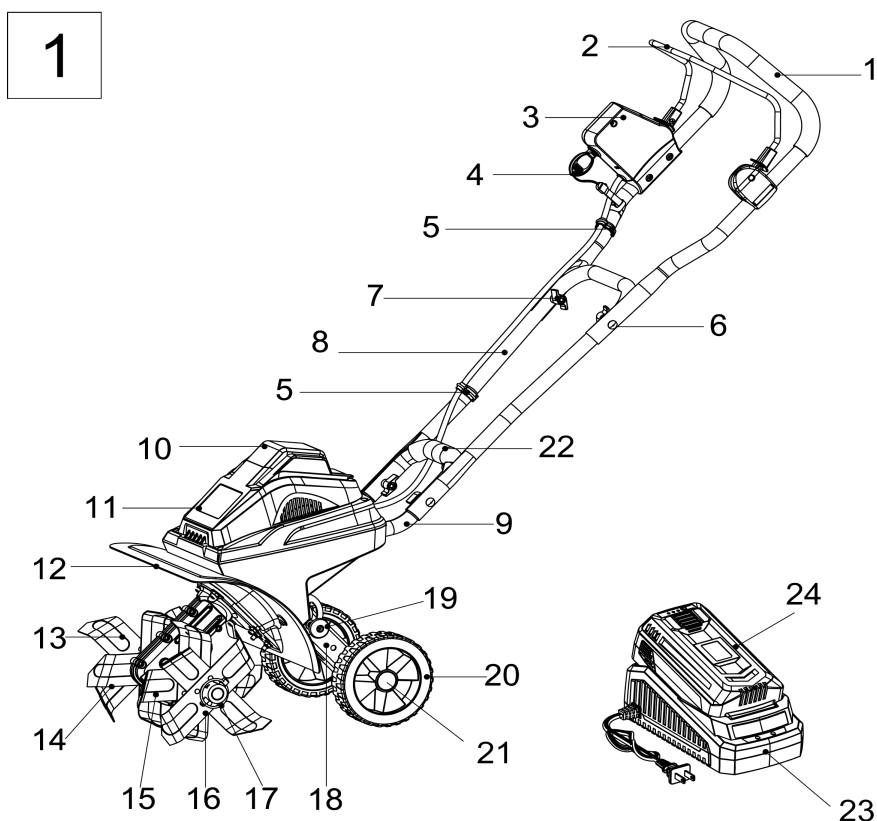
## ÍNDICE

Especificaciones del producto .....	2	Mantenimiento .....	10
Símbolos .....	3	Carga del paquete de baterías .....	11
Advertencias de seguridad .....	4 - 5	Almacenamiento .....	12
Montaje .....	6 - 7	Solución de problemas .....	13
Funcionamiento .....	8 - 9	Garantía .....	14

## ESPECIFICACIONES DEL PRODUCTO

Modelo: TC70040

Entrada:	40 V, CC solamente	Ancho de trabajo:	18 u 28 cm (7 u 11 pulg.)
Batería:	Batería de litio 4Ah de 40 V	Profundidad máx. de trabajo:	20 cm (8 pulg.)
Velocidad de las púas	130 RPM	Tiempo de trabajo:	45 Minutos
Peso:	12,7kg (28 Libras)	Tiempo de carga:	2,5 horas



N.º	Descripción (N.º de pieza)	N.º	Descripción (N.º de pieza)
1	Mango superior (RTC70040-01 & 05)	13	Púa D (RTC70040-29)
2	Gatillo (RTC70040-10)	14	Púa C (RTC70040-30)
3	Conjunto de cable de alimentación e interruptor (RTC70040-02)	15	Púa B (RTC70040-33)
4	Llave (RTC70040-11 & 12)	16	Púa A (RTC70040-34)
5	Sujetador de cable (RTC70040-07)	17	Pasador de bloqueo (RTC70040-36)
6	Perno del mango M6x45 (RTC70040-08)	18	Bastidor de las ruedas (RTC70040-41)
7	Tuerca mariposa (RTC70040-09)	19	Botón de desbloqueo (RTC70040-47)
8	Mango central (RTC70040-03)	20	Rueda (RTC70040-40)
9	Mango inferior (RTC70040-13)	21	Tapa del cubo de la rueda (RTC70040-39)
10	Cubierta del paquete de baterías (RTC70040-19)	22	Mango auxiliar (RTC70040-52)
11	Alojamiento del paquete de baterías (RTC70040-20)	23	Cargador (RTC70040-51)
12	Escudo protector (RTC70040-24)	24	Batería de iones de litio de 40 V / 4 Ah (RTC70040-04)



## SÍMBOLOS

Algunos de los siguientes símbolos pueden aparecer en este producto. Tenga a bien estudiarlos y aprender su significado. La adecuada interpretación de estos símbolos le permitirá operar el producto mejor y de manera más segura.



Precauciones para su seguridad.



Lea el manual de instrucciones y atienda las instrucciones de seguridad y advertencia.



**¡DESCONECTAR!** Retire el enchufe del tomacorriente de inmediato si el cable está



**¡DESCONECTAR!** Retire la llave y el paquete de baterías de la unidad antes de limpiarla o de darle mantenimiento.



No trabaje en condiciones de humedad.



Use protecciones para sus ojos y oídos.



Mantenga a las personas que se encuentran en el lugar a una distancia segura.



**¡PELIGRO!** Cuchillas giratorias. Mantenga manos y pies a una distancia segura.



**¡PELIGRO!** Puede ser golpeado por objetos despedidos.



Los desechos de los productos eléctricos no se deben eliminar con los desechos domésticos. Recicle donde haya centros para tal fin. Consulte a la autoridad local o al distribuidor minorista para obtener asesoramiento sobre reciclado.



## ADVERTENCIAS DE SEGURIDAD IMPORTANTES



**PARA REDUCIR EL RIESGO DE LESIONES:** Antes de utilizar este producto, cerciórese de que todos los usuarios lean y comprendan las instrucciones de seguridad y la demás información incluida en este manual.



**PRECAUCIÓN:** Use protección auditiva apropiada mientras trabaja. En ciertas condiciones y con cierta duración de uso, el ruido generado por este producto puede contribuir a la pérdida de la audición.



Guarde estas instrucciones y revíselas con frecuencia antes de usar la herramienta y para impartirlas a otros.

**ADVERTENCIA:** Al utilizar aparatos eléctricos para el jardín, se recomienda respetar las precauciones de seguridad básicas que se detallan a continuación, a fin de reducir riesgos de incendios, descargas eléctricas y lesiones personales.

**LEA TODAS LAS INSTRUCCIONES**

### NORMAS GENERALES DE SEGURIDAD

**VERIFIQUE LAS PIEZAS DAÑADAS.** Antes de seguir usando el producto, se deberán revisar las piezas dañadas en forma exhaustiva para determinar si la herramienta funcionará correctamente y realizará el trabajo previsto. Compruebe la alineación y las uniones de las piezas móviles, el montaje, averías de componentes y otros factores que puedan afectar el funcionamiento. Se debe reparar o reemplazar cualquier pieza dañada en forma adecuada. Para recibir asistencia, comuníquese con nuestra línea de ayuda de atención al cliente al 1-800-313-5111.

**EVITE AMBIENTES PELIGROSOS.** No utilice este producto en condiciones de lluvia o tormenta ni en lugares húmedos o mojados. Tampoco trabaje en entornos donde existan gases o sustancias explosivas. Por lo general, los motores de estos productos producen chispas que podrían inflamar los gases.

**MANTENGA ALEJADOS A LOS NIÑOS.** Todos los visitantes, niños y mascotas deben mantenerse a una distancia segura de la zona de trabajo.

**USE ROPA ADECUADA.** No use prendas sueltas ni artículos de joyería. Use protección para cubrir y contener el cabello largo ya que puede quedar atrapado en las piezas móviles. Se recomienda usar guantes de goma y calzado resistente cuando se trabaja al aire libre.

**USE GAFAS DE SEGURIDAD.** Al trabajar con este producto, use gafas de seguridad con protectores laterales que cumplan con la norma ANSI Z87.1.

Sujete la barra guía con ambas manos y con firmeza. No debe sujetarla nunca con una sola mano.



**ADVERTENCIA:** Mantenga las manos lejos de las piezas en movimiento. Las púas no se detienen de inmediato cuando se apaga el rotocultivador. No acerque ninguna parte de su cuerpo, ni prendas de vestir a las púas giratorias.

**EXTRAIGA LA BATERÍA DE LA ROTOCULTIVADOR** cuando no esté en uso o durante el servicio de mantenimiento o la limpieza. Manténgala bajo vigilancia constante.



**PRECAUCIÓN:** El rotocultivador puede rebotar hacia arriba o saltar hacia delante si las púas golpean suelo muy compactado o congelado, u obstáculos enterrados, como piedras grandes, raíces o tocones.

**USE LA HERRAMIENTA EN FORMA CORRECTA.** No utilice esta herramienta en trabajos para los que no esté indicada.

**PONGA ATENCIÓN.** Observe lo que está haciendo. Use el sentido común. No opere el rotocultivador si está cansado o bajo la influencia de drogas o medicamentos.

**EVITE EL ARRANQUE ACCIDENTAL -** No traslade el cultivador cuando se haya insertado la llave o si la batería está instalada. Asegúrese de retirar la llave al instalar la batería.

**NO FUERCE LA ROTOCULTIVADOR-** Realizará mejor el trabajo con menor probabilidad de lesiones si maneja la cortasetos a la velocidad para la que fue diseñada.

**NO ADOPTE UNA POSTURA INCÓMODA.** Guíe el rotocultivador sólo a paso de hombre. Mantenga una base de apoyo firme y buen equilibrio en todo momento.

**ILUMINACIÓN.** Trabaje con el rotocultivador sólo con luz natural o buena luz artificial.

**GUARDE LA UNIDAD BAJO TECHO.** Cuando no esté en uso, el rotocultivador se deberá guardar en un lugar cerrado y seco, fuera del alcance de los niños.

**PRESTE ATENCIÓN AL MANTENIMIENTO DE LA UNIDAD.** Consérvela limpia para lograr un óptimo funcionamiento y reducir el riesgo de lesiones. Inspeccione el cable de extensión periódicamente y reemplácelo si está dañado. Mantenga los mangos secos, limpios y libres de aceite.

Para un funcionamiento seguro, no utilice el rotocultivador en pendientes demasiado pronunciadas. Cuando trabaje en pendientes, disminuya la velocidad y asegúrese de tener una buena base de apoyo.

Antes de encender el rotocultivador, cerciórese de que las púas no estén en contacto con ningún objeto y de que tengan libre movimiento.



**PELIGRO: RIESGO DE CORTES.** Use guantes y sea prudente cuando limpie o realice el mantenimiento al rotocultivador.

Siempre retire la llave del interruptor y el paquete de baterías y espere hasta que las púas se hayan detenido por completo antes de realizar cualquier trabajo de mantenimiento o reparación.



**ADVERTENCIA:** No trabaje con el rotocultivador cerca de cables eléctricos, líneas telefónicas, tuberías o mangueras subterráneas.

Si el rotocultivador golpea un cuerpo extraño, apáguelo de inmediato, espere a que las púas se detengan y verifique si hay daños. Si fuera necesario, repare las piezas dañadas antes de volver a poner en marcha la herramienta.

Si el rotocultivador comienza a vibrar de manera inusual, apáguelo de inmediato y revíselo para detectar la causa. Generalmente, la vibración advierte la existencia de un problema.

## NORMAS GENERALES DE SEGURIDAD



### ADVERTENCIA: Proposición 65 de California:

Este producto contiene sustancias químicas al estado de California como causantes de cáncer, defectos de nacimiento u otros problemas reproductivos.



**ADVERTENCIA:** Parte del polvo y los desechos generados por el uso de esta herramienta contienen químicos reconocidos por el Estado de California como causantes de cáncer, defectos de nacimiento u otros efectos nocivos para el aparato reproductor. Algunos ejemplos de estos productos químicos son:

- químicos presentes en fertilizantes
  - compuestos presentes en insecticidas, herbicidas y pesticidas
  - arsénico y cromo de maderas tratadas químicamente
- El riesgo que usted corre al exponerse a estos químicos varía según la frecuencia con la que realiza este tipo de trabajo. Para reducir la exposición, trabaje en una zona bien ventilada y utilice equipo de protección aprobado, como mascarillas antipolvo especialmente diseñadas para filtrar partículas microscópicas.

## NORMAS DE SEGURIDAD PARA EL CARGADOR

No haga un mal uso del cable. Nunca tire del cable para trasladar, empujar o desenchufar la herramienta. Aleje el cable del calor, el aceite, los bordes filosos o las piezas móviles. Los cables dañados o enredados aumentan el riesgo de descarga eléctrica.

El uso de un dispositivo no recomendado ni vendido por el fabricante del cargador de batería podría provocar riesgos de incendios, descargas eléctricas o lesiones a personas. Si respeta esta regla, reducirá riesgos de incendios, descargas eléctricas y lesiones corporales serias.

No realice el mantenimiento de la rotocultivador con la batería, la llave de seguridad instalados.

No utilice el cargador cuando la temperatura ambiente es superior a 37,8 °C (100 °F) o inferior a 0 °C (32 °F).

No opere el cargador con un cable o enchufe dañados porque se podrían producir cortocircuitos y descargas eléctricas. Si el cargador está dañado, reemplácelo con un cargador idéntico de un proveedor de servicio técnico autorizado.

No utilice el cargador si ha sufrido un golpe fuerte, si lo ha dejado caer al piso o si ha sufrido algún otro daño. Lívelo a un centro de servicio técnico autorizado para que reciba una inspección eléctrica y se determine si está en buenas condiciones.

Para reducir el riesgo de descarga eléctrica, desenchufe el cargador del tomacorriente antes de realizar el mantenimiento o la limpieza.

Desconecte el cargador del suministro eléctrico cuando no esté en uso para evitar daños en caso de que se produzca un pico de tensión.

Riesgo de descarga eléctrica: No toque el conector de salida ni el terminal de la batería en las áreas que no tienen aislamiento.

No exponga el cargador a zonas húmedas o mojadas. El ingreso de agua en el cargador aumenta el riesgo de descarga eléctrica.

Asegúrese de colocar el cable donde no pueda ser pisado, ni sea motivo de tropezones. Tampoco en sitios donde pueda entrar en contacto con bordes filosos o piezas móviles, o estar expuesto a daños o tensiones. Esto reducirá el riesgo de caídas accidentales (que podrían provocar lesiones) y daños al cable (que podrían causar descargas eléctricas).

Aleje el cable y el cargador de lugares calurosos para evitar daños a la caja o las piezas internas.

Evite en todo momento que gasolina, aceites, productos a base de petróleo, etc. entren en contacto con las piezas plásticas. Contienen químicos que pueden dañar, debilitar o destruir el plástico.

No utilice un cable de extensión a menos que sea extremadamente necesario. El uso de un cable de extensión incorrecto podría ocasionar riesgos de incendios

y descarga eléctrica. Si debe utilizar un cable de extensión, tenga en cuenta:

- Que las clavijas del enchufe del cable de extensión sean del mismo número, tamaño y forma que las del enchufe del cargador.
- Que el cable de extensión esté conectado correctamente y en buenas condiciones.
- Que el tamaño del cable sea adecuado para el amperaje de CA del cargador, según lo especificado a continuación:

Largo del cable (metros)	7,6 m (25 pies)	15,2 m (50 pies)	30,4 m (100 pies)
Tamaño del cable (AWG)	16	16	16

NOTA: AWG = sistema norteamericano de calibre de cables

Guarde estas instrucciones. Consúltelas con frecuencia y utilícelas para instruir a otros operarios. Si presta la rotocultivador a alguien, proporciónale también estas instrucciones.



**ADVERTENCIA:** Mantenga todas las conexiones secas y alejadas del suelo. No toque el enchufe con las manos mojadas.



### ADVERTENCIAS DE LA FCC:

Por favor tenga en cuenta que los cambios o modificaciones a los que se someta este producto y que no estén expresamente aprobados por la parte responsable del cumplimiento, podrían anular la autoridad del usuario para operar el equipo.

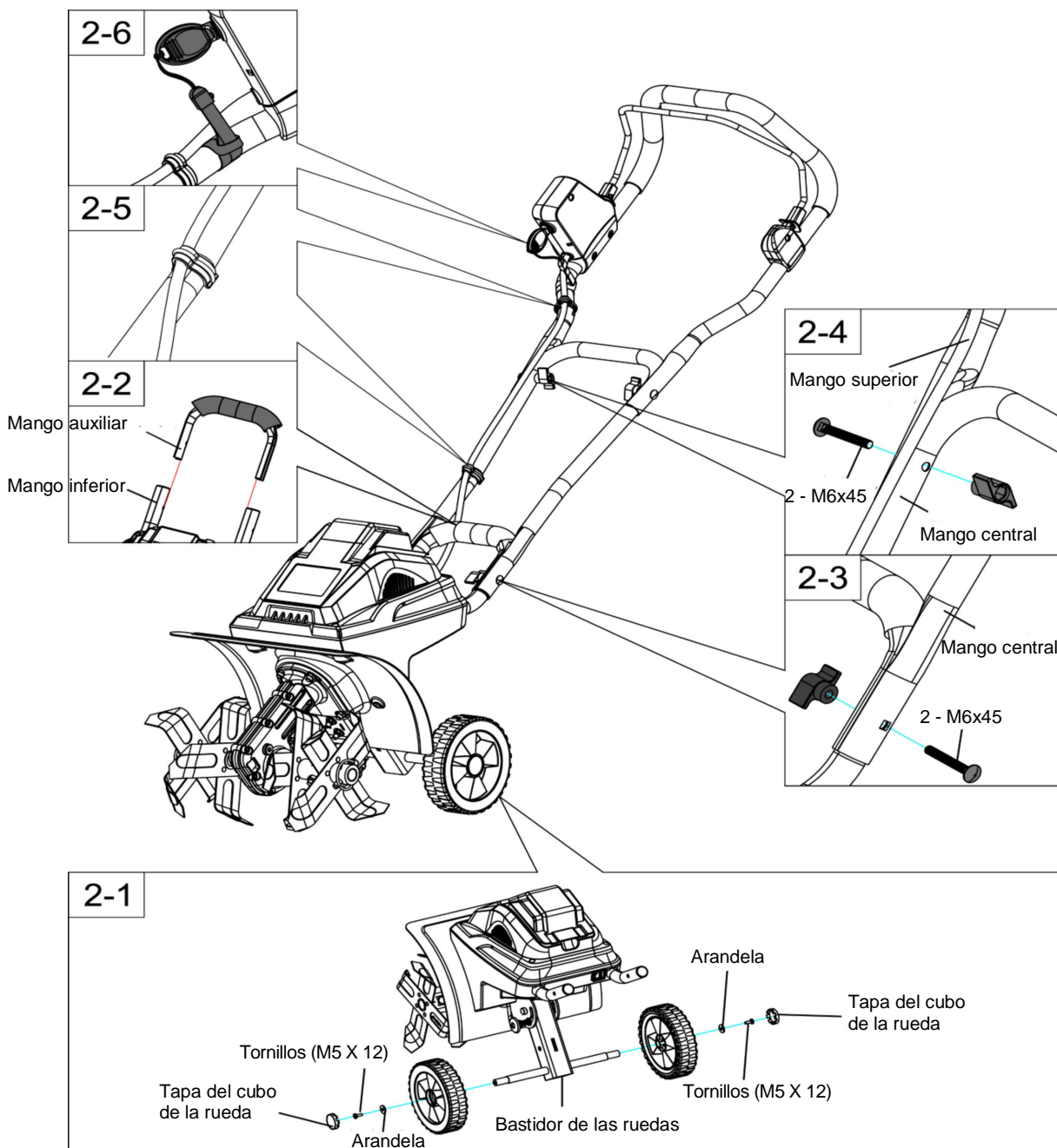
NOTA: Este equipo ha sido probado y se ha determinado que cumple con los límites de un dispositivo digital Clase B, de conformidad con la Parte 15 de las Reglas de la Comisión Federal de Comunicaciones (FCC por sus siglas en inglés). Estos límites están diseñados para brindar una protección razonable contra interferencias dañinas en instalaciones residenciales. Este equipo genera, utiliza y puede emitir energía de radiofrecuencia, y si no se instala y utiliza según las instrucciones, podría ocasionar interferencia perjudicial para las comunicaciones por radio. Sin embargo, no se garantiza que no se producirá interferencia en alguna instalación en particular. Si este equipo causa interferencia perjudicial a la recepción de radio o de televisión, lo cual puede determinar si apaga y enciende el equipo, se le aconseja al usuario que trate de corregir la interferencia realizando una o más de las siguientes acciones:

- Cambie la ubicación o la orientación de la antena receptora.
- Aumente la distancia que separa el equipo y el receptor.
- Conecte el equipo a un tomacorriente que esté en un circuito distinto al que está conectado el receptor.
- Consulte a su concesionario o a un técnico experimentado de radio/TV para pedir ayuda.

## MONTAJE

Este producto debe ser montado correctamente antes de su uso.

1. Retire los tornillos (M5 X 12) y arandelas del bastidor de las ruedas. Inserte las ruedas en el eje del bastidor, luego fije las arandelas y los tornillos (M5 X 12). (Fig. 2-1)
2. Coloque las cubiertas de las ruedas en las ruedas y cubra los extremos de los ejes. Puede usar un martillo para asentar bien las cubiertas. (Fig. 2-1)
3. Alinee el mango auxiliar con los mangos inferiores. Asegúrese de que los orificios estén alineados. (Fig. 2-2)
4. Conecte el mango central con el mango auxiliar y los mangos inferiores utilizando los dos pernos M6 X 45 y las tuercas mariposa suministradas. (Fig. 2-3)
5. Ajuste el mango superior al mango central utilizando los dos pernos M6 X 45 y las tuercas mariposa que se suministran (Fig. 2-4).
6. Utilice los dos sujetadores de cable suministrados para sujetar el cable. (Fig. 2-5)
7. Coloque la correa de la llave en el mango tal como se muestra en la imagen. (Fig. 2-6) Cuando no esté en uso, extraiga la llave y déjela fuera del alcance de los niños.

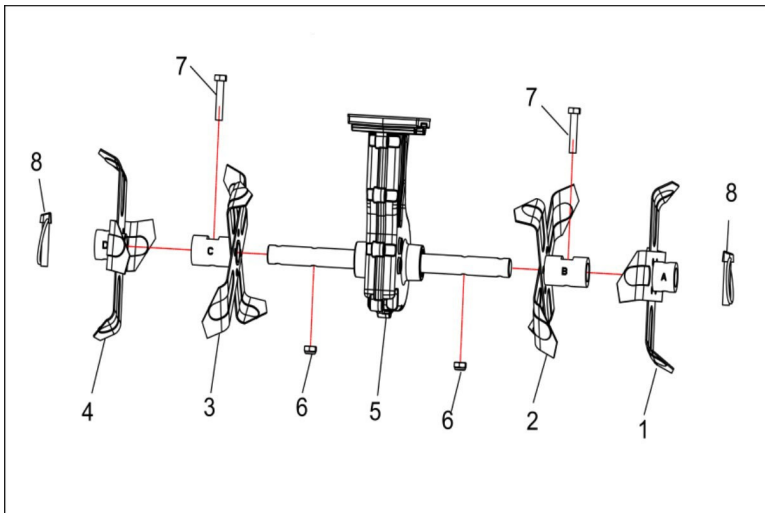


**⚠️ ADVERTENCIA:** Si alguna pieza falta o está dañada, no utilice este producto hasta reponer la pieza en cuestión. De lo contrario, podría sufrir lesiones personales de gravedad. Comuníquese con nuestra línea de ayuda de atención al cliente al 1-800-313-5111 para recibir asistencia.

**⚠️ ADVERTENCIA:** No intente modificar la unidad ni elaborar accesorios no recomendados para usar con este producto. Dicha clase de alteración o modificación constituye un uso inadecuado de la herramienta y podría generar situaciones de riesgo y provocar lesiones personales de gravedad.

**⚠️ ADVERTENCIA:** No instale la batería hasta haber completado el montaje. De lo contrario, la máquina podría arrancar accidentalmente y provocar lesiones personales de gravedad.

## INSTRUCCIONES SOBRE EL CONJUNTO DE PÚAS AJUSTABLES



N.º	Descripción	Cantidad
1	Púa A	1
2	Púa B	1
3	Púa C	1
4	Púa D	1
5	Conjunto de caja de transmisión	1
6	Tuerca de seguridad hexagonal M8	2
7	Perno de cabeza hexagonal M8x40	2
8	Pasador de bloqueo Ø8	2

Las púas están identificadas (A, B, C, D) con letras estampadas en los cubos de púas.

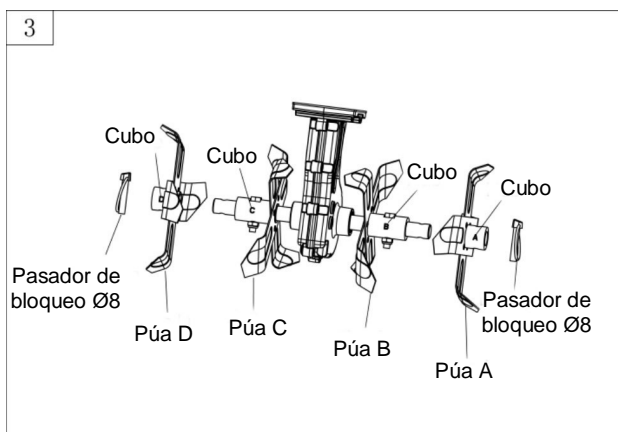
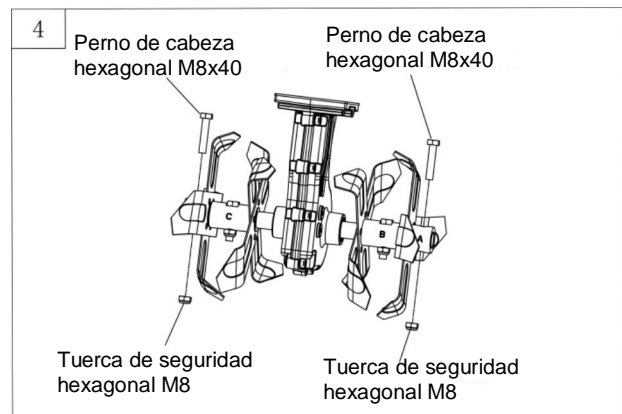
### CAMBIO DE CUATRO PÚAS A DOS PÚAS

Levante los aros de los pasadores de bloqueo y retire los pasadores de bloqueo situados en ambos extremos del eje. Retire las púas A y D del eje. (Fig. 3)

En caso de que se pierdan o se extravíen los pasadores de bloqueo, las púas A y D pueden sujetarse mediante los pernos de cabeza hexagonal M8X40 y las tuercas de bloqueo M8 adicionales que se suministraron. (Fig. 4)

### CAMBIO DE DOS PÚAS A CUATRO PÚAS

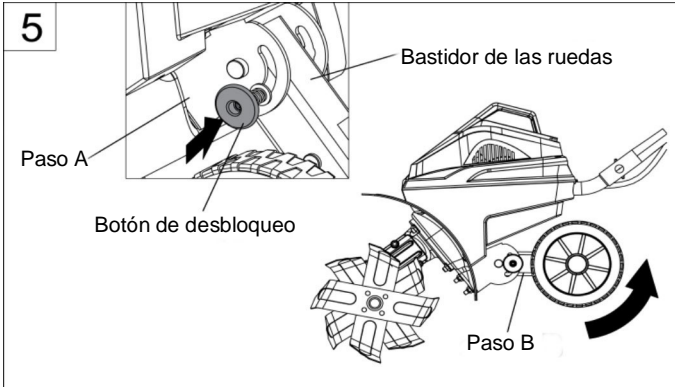
Instale las púas A y D en el eje tal como se muestra. Cerciérese de que los orificios en los cubos de púas y el eje estén alineados. Inserte el pasador de bloqueo a través de los orificios y empuje el aro del pasador de bloqueo hacia abajo para bloquear el pasador en el lugar. Cerciérese de instalar las púas como se muestra en la Fig. 3. Las púas no pueden sujetarse si se ensamblan en otra secuencia de posición de las púas. (Fig. 3)



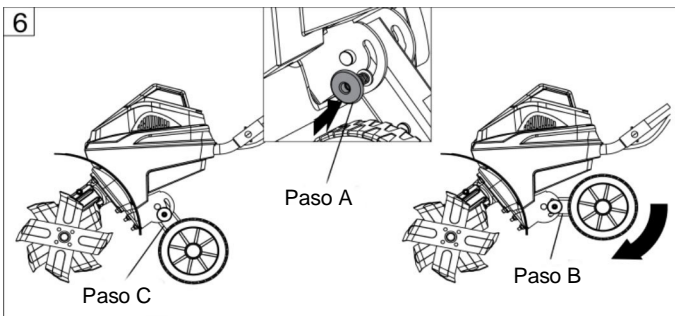
# FUNCIONAMIENTO

## ENCENDIDO:

Antes de encender el rotocultivador, cerciéndose de que el bastidor de las ruedas esté levantado. Para levantar el bastidor, presione el botón de desbloqueo (Paso A), gire el bastidor de las ruedas hacia arriba hasta colocarlo en posición horizontal (Paso B), suelte el pasador de bloqueo para bloquear el bastidor en la posición. (Fig. 5)

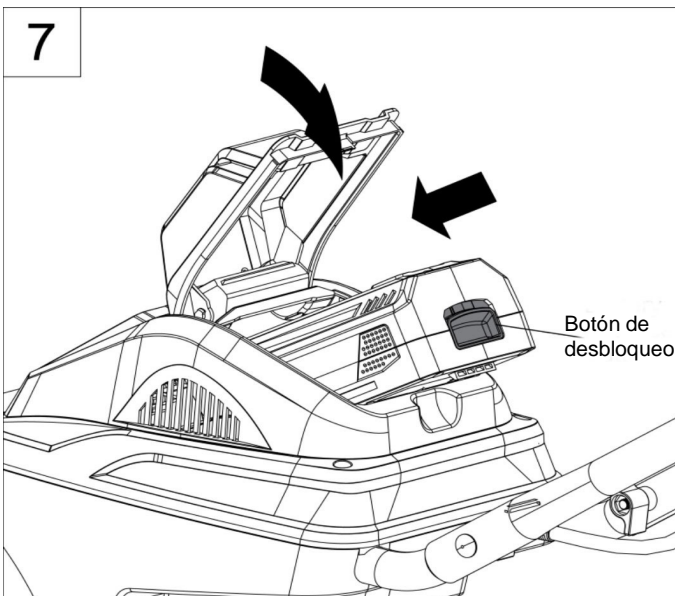


Para bajar el marco de las ruedas, presione el botón de desbloqueo (Paso A). Baje el marco de las ruedas (Paso B) y suelte el botón para bloquear el marco en la posición (Paso C). (Fig. 6)



## INSTALACIÓN DE LA BATERÍA

Levante la cubierta del compartimiento de las baterías y deslice la batería hacia abajo hasta que se trabe en su posición. Luego trabe la cubierta del compartimiento de la batería. (Fig. 7)



Transporte el rotocultivador hasta el área de trabajo antes de arrancar el motor.

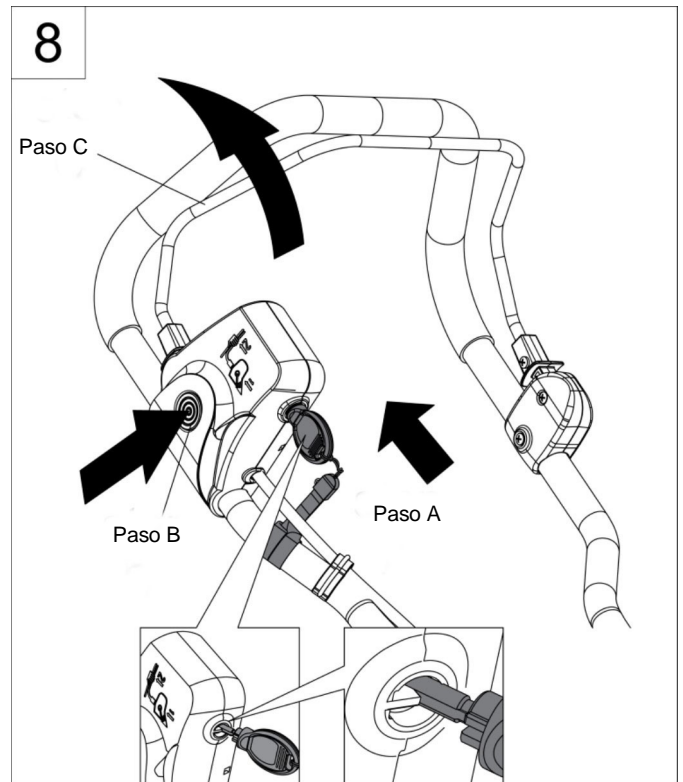
Sostenga el rotocultivador firmemente mientras lo enciende. Las púas llevarán el rotocultivador hacia delante durante la operación. Baje las púas lentamente hacia la superficie que se va a labrar.

Para arrancar el rotocultivador, inserte la llave del interruptor en la ranura de la caja del interruptor (Paso A). (Fig. 8)

Alinee la ranura de la llave con la guía del orificio para la llave. Presione firmemente hasta que haya insertado la llave completamente. No intente girar la llave. (Fig. 8)

Presione el botón de bloqueo de seguridad en la caja del interruptor, y manténgalo presionado para poder activar el gatillo de control del interruptor (Paso B). Tire del gatillo de control del interruptor hacia el mango (Paso C) y suelte el botón. Continúe sosteniendo el gatillo de control del interruptor contra el mango del rotocultivador mientras lo utiliza.

Para detenerlo, simplemente suelte el gatillo. (Fig.8)



## FUNCIONAMIENTO

Utilice el rotocultivador para cavar el césped, preparar semilleros, y para cultivar jardines y canteros de flores. Esta herramienta también puede cavar pequeños pozos para plantar vástagos o plantas en macetas.

Para cavar el césped o labrar en profundidad, deje que las púas tiren el rotocultivador hacia delante hasta el extremo del alcance de su brazo, luego tírelo firmemente hacia usted. Obtendrá los mejores resultados si deja que la herramienta avance y retroceda repetidamente.

Al tirar el rotocultivador hacia usted, las púas cavarán con más profundidad y más intensidad.

Para evitar que se desconecte, tome precauciones adicionales al moverse hacia atrás y al tirar el rotocultivador hacia usted.

Si el rotocultivador cava lo suficientemente profundo para mantenerse en un solo lugar, muévalo suavemente de un lado hacia otro hasta que comience a avanzar otra vez.

Cuando trabaje en pendientes, siempre párese en diagonal con respecto a la inclinación para conservar una base de apoyo firme y segura. No trabaje en pendientes demasiado pronunciadas.

Para preparar semilleros, recomendamos usar estos patrones de labranza: (Fig. 9)

**Patrón de labranza A** - Realice dos pasadas sobre el área a ser labrada, la segunda en ángulo recto con respecto a la primera.

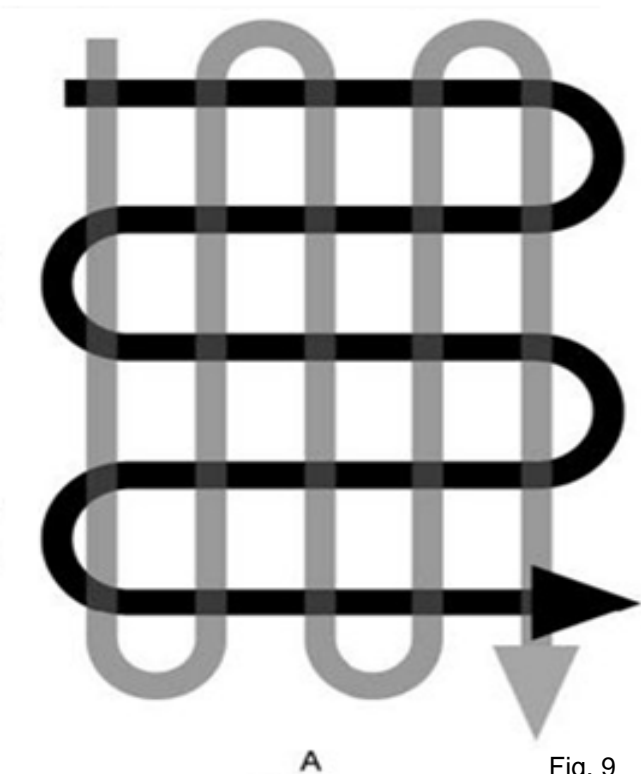


Fig. 9

**Patrón de labranza B** - Realice dos pasadas sobre el área a ser labrada, la segunda superpuesta a la primera.

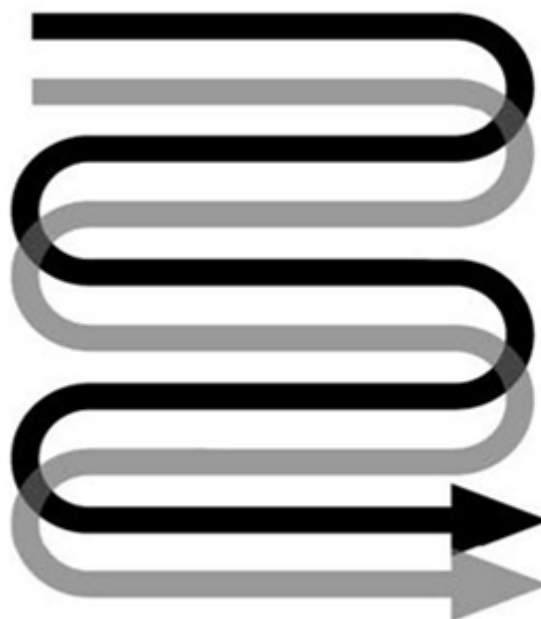


Fig. 9

**Antes de usar, retire las piedras u otros cuerpos extraños visibles del área.**



**PRECAUCIÓN:** Antes de mover el rotocultivador de un área a otra, desconecte el motor y espere a que las púas se detengan por completo. Sea cuidadoso y evite que las púas toquen el suelo cuando mueva el rotocultivador. Las púas y también la unidad pueden dañarse aún cuando el motor está desconectado.

**Quitar los objetos extraños:**

Durante la operación, es posible que queden piedras o raíces atascadas en las púas, o que queden pastos altos o malezas en el eje de las púas. Para despejar las púas o su eje, suelte el gatillo, espere a que las púas se detengan por completo y retire la batería. Desplace o retire las sustancias extrañas de las púas o de su eje. Para retirar el césped alto o las malezas del eje de las púas con facilidad, quite una o más púas. Consulte la sección Extracción e instalación de púas.

## MANTENIMIENTO



**PELIGRO:** Antes de efectuar cualquier tarea de mantenimiento, asegúrese de extraer la batería de su compartimiento y retirar la llave de seguridad. De lo contrario, podría sufrir lesiones corporales serias.

**Antes de cada uso,** Inspeccione el estado de las púas y asegúrese de que todas las conexiones roscadas estén firmemente ajustadas. Si las púas se desafilan, afílelas o reemplácelas. Comuníquese con nuestra línea de ayuda de atención al cliente al 1-800-313-5111 para recibir asistencia.

**Una vez por estación,** lubrique las púas y el eje. Al final de la estación, inspeccione el rotocultivador para detectar daños antes de guardarlo. Repare o reemplace las piezas dañadas o rotas.



**PRECAUCIÓN:** Limpie siempre el rotocultivador después de cada uso. Si no se realiza una correcta limpieza del rotocultivador, éste podría dañarse o no funcionar correctamente.

Limpie la parte interior del escudo protector alrededor de las púas con un cepillo de fregar y un paño humedecido con una mezcla de jabón suave y agua. **No utilice una manguera con agua para limpiar el rotocultivador.** Para quitar la tierra y los residuos de la transmisión y las púas, utilice un cepillo rígido o un paño húmedo. Limpie las ventilaciones de la caja del motor y retire los restos de césped o suciedad. Después de limpiarlos, seque las púas y el eje, y aplique una capa fina de aceite para evitar el óxido.

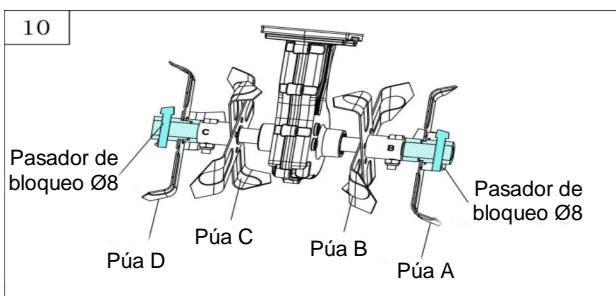
**Mantenimiento de las púas:** Las púas gastadas producen malos resultados y sobrecargan el motor. Inspeccione las púas antes de cada uso. Afíle o reemplace las púas gastadas por nuevas, cuando sea necesario. Llame al 1-800-313-5111 para obtener asistencia.



**ADVERTENCIA:** Se pueden producir lesiones mientras se trabaja con las púas. Utilice guantes de protección.

### Extracción e instalación de púas (Fig. 10)

Levante los aros de los pasadores de bloqueo y retire los pasadores de bloqueo situados en ambos extremos del eje. Retire las púas A y D del eje. Retire los pernos M8x40 y las tuercas hexagonales M8 situados en ambos extremos del eje. Retire las púas B y C del eje. Para instalar las púas, realice los pasos anteriores en el orden inverso.

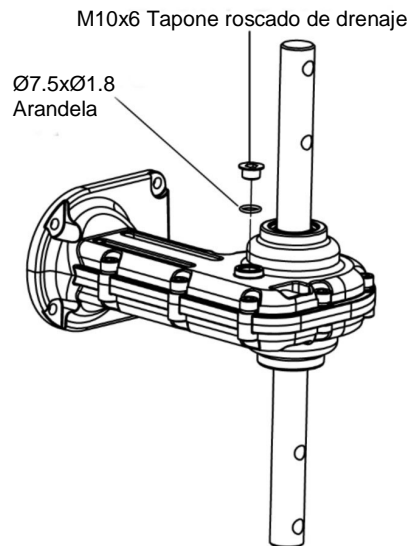


Reemplace las piezas gastadas o dañadas sólo con piezas de repuesto originales. Las piezas provenientes de otro rotocultivador pueden no adaptarse adecuadamente, lo que provocaría una situación de inseguridad.

Cerciórese de que todos los dispositivos de protección estén bien firmes y en buenas condiciones. Repare o reemplácelos, si fuera necesario.

**Lubricación (Fig. 7):** La caja de transmisión de las púas viene engrasada de fábrica. No es necesario controlar el nivel de grasa ni se recomienda agregarle grasa durante los 2 primeros años de uso. Después de la segunda temporada de uso, siga las indicaciones que se describen a continuación:

11



El tapone roscado de drenaje están ubicados a la derecha de la caja de la transmisión. Coloque el rotocultivador sobre el lado izquierdo y quite la suciedad o los desechos de la transmisión antes de retirar ambos tapones roscados de drenaje. Si fuera necesario, quite el conjunto de las púas para tener mejor acceso a el tapone roscado de drenaje. Utilice una llave hexagonal de 5 mm para desenroscar el tapone.

Utilizando un envase o una botella que se pueda presionar, agregue aproximadamente 60ml (2,0 oz.) de lubricante para engranaje de automóviles. No permita que rebalse. Cuando haya terminado, vuelva a colocar el tapone roscado de drenaje en la transmisión.



# CARGA DEL PAQUETE DE BATERÍAS

## MEDIDOR DE BATERÍA

La batería de la rotocultivador se envía con poca carga, por lo que deberá cargarla antes de utilizarla. La batería tiene 3 luces LED que indican su capacidad. Estas luces se encienden solamente cuando se presiona el botón de la luz indicadora.

Si se encienden las luces VERDES, la batería está cargada y lista para ser usada. Dos luces verdes equivalen al 25 %-80 % de carga. Una luz verde equivale al 5 %-25 % de carga.

Se recomienda cargar el paquete de baterías cuando se enciende una luz.

## CARGA DEL PAQUETE DE BATERÍAS

La rotocultivador se proporciona con batería de 40 voltios selladas que no requieren mantenimiento.

- Extraiga la llave de seguridad de la rotocultivador y guárdela en un lugar seguro, fuera del alcance de los niños.
- Cargue el paquete de baterías únicamente con el cargador provisto.
- Deje la batería cargando durante al menos dos horas antes de usar la rotocultivador por primera vez.
- Asegúrese de que el voltaje del suministro eléctrico sea el doméstico normal: **120 voltios, 60 Hz, CA únicamente.**
- La batería debe cargarse en un lugar fresco y seco.
- Para mejorar la vida útil de la batería, guárdela en un lugar cerrado y a temperatura controlada. **Cargue el paquete de baterías completamente cada 3 meses.**
- Debido a que la batería no tiene ningún efecto memoria, no es necesario que esté totalmente descargada para volver a cargarla.
- Es posible que se necesiten de dos a tres ciclos de carga/descarga iniciales para obtener la máxima capacidad o tiempo de funcionamiento.
- Cuando la batería está cargada por completo, se puede guardar de forma segura en temperaturas de hasta  $-20^{\circ}\text{C}$  ( $-4^{\circ}\text{F}$ ) durante un período de hasta un mes antes de que requiera una nueva carga. **Cargue el paquete de baterías completamente cada 3 meses.**
- El cargador de baterías debe usarse en temperaturas que oscilan entre los  $0^{\circ}\text{C}$  y  $37,8^{\circ}\text{C}$  ( $32^{\circ}\text{F}$  y  $100^{\circ}\text{F}$ ).

## PROCEDIMIENTO DE CARGA

Inserte el enchufe del cargador de 120 voltios en el receptáculo de la pared. Se iluminará la luz A y permanecerá verde.

(Fig. 12)

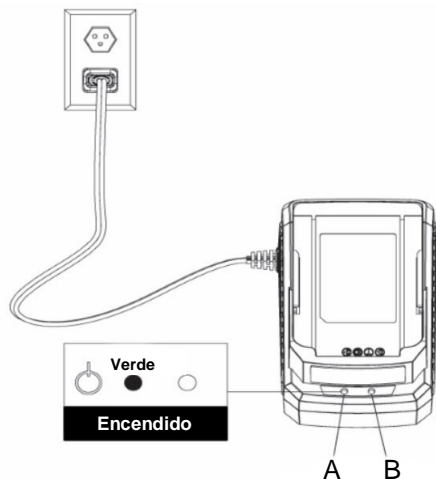
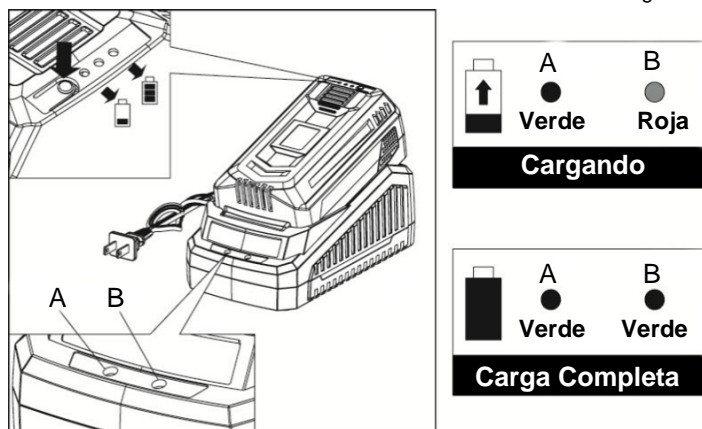


Fig. 12

- Para colocar el paquete de baterías en el cargador, deslícelo hasta que esté trabado en posición, como se muestra en la figura 13. La luz B se iluminará en rojo para indicar que la batería se está cargando y las tres luces del paquete de baterías alternarán en verde.
- Cuando el paquete de baterías esté completamente cargado, la luz B se volverá verde y las luces del paquete de baterías se apagarán. (Fig 13)

NOTA: Tiempo promedio requerido para alcanzar una carga completa: 2.5 horas.

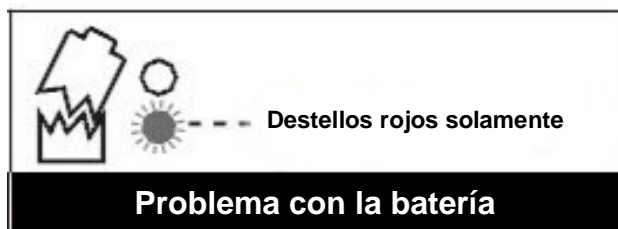
Fig. 13



NOTA: Si la luz A permanece verde mientras la luz B destella alternadamente en rojo y verde, estaría indicando una irregularidad en la temperatura. (el paquete de baterías está demasiado caliente o demasiado frío). Si solamente destella una luz roja, esto indica que hay un problema con la batería. Comuníquese con el centro de atención al cliente de Earthwise al 1-800-313-5111 para obtener asistencia.



### Problema de temperatura



### Problema con la batería

Si la luz B indicadora de carga destella alternadamente en rojo y verde, o si directamente no se enciende, corrobore que el paquete de baterías esté bien asentado en el compartimento. Retire el paquete y vuelva a colocarlo. Si el problema persiste, comuníquese con el centro de atención al cliente de Earthwise al 1-800-313-5111 para obtener asistencia.

## ALMACENAMIENTO

Guarde el rotocultivador en un lugar seco y limpio, y fuera del alcance de los niños.

Durante períodos largos de almacenamiento, asegúrese de que el rotocultivador esté protegido de la corrosión y la escarcha.

**Almacenamiento en invierno: recargue la batería completamente antes de guardarla y repita la operación cada 90 días.**

Al final de la temporada, o si el rotocultivador no se utilizó durante más de un mes, pase un paño impregnado con aceite por todas las superficies metálicas para protegerlas de la corrosión o rocíelas con una capa fina de aceite. Pliegue la barra guía hacia abajo y almacene el rotocultivador en un lugar apropiado.

### ELIMINACIÓN DE LA BATERÍA

Extraiga el paquete de baterías de la rotocultivador. Cubra los terminales con una cinta adhesiva resistente. No trate de destruir ni desarmar el paquete de baterías ni de extraer ninguno de sus componentes. Este producto contiene baterías de litio-ion, que se deben reciclar o desechar adecuadamente. Es posible que las leyes locales, estatales o federales prohíban eliminar estas baterías con los desechos comunes.



El sello RBRC que aparece en el paquete de baterías de litio-ion indica que los costos para reciclarlo al término de su vida útil ya han sido pagados por The Great States Corporation/American Lawn Mower Company. Es ilegal arrojar las baterías de litio-ion gastadas en un depósito municipal de residuos sólidos o en la basura. RBRC, en colaboración con The Great States Corporation/American Lawn Mower Company, ofrece una forma fácil y ecológica de reciclar las baterías de litio-ion gastadas. Simplemente comuníquese con un centro de servicio autorizado de Earthwise™, el centro de reciclaje local o llame al 1.800.8.BATTERY para obtener información sobre dónde dejar las baterías gastadas.

## DETECCIÓN Y SOLUCIÓN DE PROBLEMAS

Problema	Posibles causas	Solución
El motor no arranca	<p>El botón de bloqueo de seguridad no está totalmente oprimido.</p> <p>La batería no está instalada correctamente.</p> <p>La batería tiene poca carga.</p> <p>La batería está defectuosa o no se carga.</p> <p>Protección contra recalentamiento activada</p>	<p>Verifique que el botón de bloqueo de seguridad en la caja del interruptor esté completamente accionado antes de accionar el gatillo de control del interruptor.</p> <p>Controle la instalación de la batería.</p> <p>Cargue la batería.</p> <p>Reemplace la batería.</p> <ol style="list-style-type: none"> <li>1. La profundidad de trabajo es demasiado grande, determine una profundidad menor.</li> <li>2. Las cuchillas están bloqueadas, quite la obstrucción.</li> <li>3. El suelo es demasiado duro, seleccione una profundidad de trabajo correcta y mueva hacia adelante y hacia atrás varias veces mientras reduce la velocidad de trabajo.</li> <li>4. Espere unos 15 minutos hasta que el motor se enfríe antes de volver a usar la herramienta.</li> </ol>
Ruidos extraños	<p>La cuchilla está atascada.</p> <p>Falta de lubricación.</p> <p>Pernos, tuercas u otros componentes flojos.</p>	<p>Apague la unidad. Espere hasta que las púas se detengan por completo y retire la batería. Quite los objetos atascados.</p> <p>El rotocultivador debe ser reparado. Comuníquese con nuestra línea de ayuda de atención al cliente al 1-800-313-5111 para recibir asistencia.</p> <p>Ajuste bien todos los componentes. Disponga la reparación si persisten los ruidos.</p>
Vibraciones inusuales	<p>Las cuchillas están dañadas o gastadas.</p> <p>La profundidad de trabajo es demasiado grande.</p>	<p>Reemplace las cuchillas dañadas o gastadas.</p> <p>Fije a la profundidad de trabajo correcta.</p>
Resultados no deseados	<p>La profundidad de trabajo es demasiado reducida.</p> <p>Cuchillas gastadas.</p>	<p>Lea las instrucciones en la página 9 y 10 sobre cómo manipular el rotocultivador y obtener los resultados deseados.</p> <p>Reemplace las cuchillas dañadas o gastadas.</p>

### SERVICIO TÉCNICO

Ahora que adquirió su sopladora de nieve, si alguna vez necesitara servicio técnico o repuestos, simplemente comuníquese con nosotros al 1-800-313-5111. Asegúrese de proporcionar toda la información pertinente cuando nos llame o visite.

### REPUESTOS

Registre su número de serie en el espacio provisto a continuación.

- **NOMBRE DEL ARTÍCULO**    ROTOCULTIVADOR CON BATERÍA DE IONES DE LITIO
- **NÚMERO DE MODELO**     TC70040
- **NÚMERO DE SERIE**        \_\_\_\_\_

**¡LLÁMENOS PRIMERO!**

Llámenos primero si tiene preguntas sobre el funcionamiento o el mantenimiento de este producto al 1.800.313.5111, de 8:00 a 17:00, hora estándar del este, o envíe un correo electrónico a [earthwise@reelin.com](mailto:earthwise@reelin.com).



# MANUAL DEL OPERARIO ROTOCULTIVADOR SIN CABLE CON BATERÍA DE IONES DE LITIO

Este producto está amparado por patentes de EE. UU. y otras patentes internacionales.

Copyright. Todos los derechos reservados.

## POLÍTICA DE GARANTÍA

### Garantía limitada de dos (2) años para el equipo eléctrico para exteriores Earthwise de 40 voltios.

**Earthwise** garantiza al propietario original que cada producto nuevo y pieza de repuesto está libre de defectos en el material y la mano de obra, y acepta reparar o reemplazar cualquier producto o pieza defectuosa durante el periodo de garantía según lo establecido anteriormente a partir de la fecha de compra original excepto en las condiciones y circunstancias que se indican a continuación:

La garantía se aplica solo al comprador original al menudeo y no puede transferirse.

La garantía se aplica si el producto está destinado para uso personal, doméstico o familiar. La garantía queda anulada si el producto se usa con fines comerciales, industriales o de alquiler.

La garantía no incluye reparaciones necesarias debido a abuso o negligencia por parte del operador (incluida la sobrecarga del producto que supere la capacidad o inmersión en el agua), o un error al montar, operar, mantener o almacenar el producto de acuerdo con las instrucciones del manual del operador.

Esta garantía no es transferible y solo se aplica a productos vendidos directamente por un distribuidor minorista autorizado. Esta garantía no se aplica a cualquier producto, nuevo o usado, adquirido a través de canales de terceros no autorizados.

**CUALQUIER PÉRDIDA ACCIDENTAL, INDIRECTA O RESULTANTE, DAÑO O GASTO QUE PUEDA DERIVAR DE CUALQUIER DEFECTO, FALLA O MALFUNCIONAMIENTO DEL PRODUCTO NO ESTÁ CUBIERTO POR LA GARANTÍA.** En algunos estados no se permite la exclusión o limitación sobre la duración de las garantías implícitas, en cuyo caso la limitación anterior no podría aplicarse.

**Todos los reclamos de garantía deben estar acompañados por el comprobante de compra, el recibo de compra original con fecha.**

Los productos que se venden dañados o incompletos, que se venden "tal como están" o reacondicionados no están cubiertos por esta garantía.

Los daños o inconvenientes causados por envío, manipulación inadecuada, montaje incorrecto, voltaje o cableado incorrecto, mantenimiento deficiente, modificaciones inadecuadas o el uso de accesorios o dispositivos de sujeción no recomendados específicamente no están cubiertos por esta garantía.

Elementos consumibles que se desgastan con el uso normal cubierto por la garantía.

La garantía no cubre los daños causados por el frío, el calor, la lluvia, la humedad excesiva, ambientes y materiales corrosivos u otros contaminantes.

La garantía no incluye instalación, montaje o ajustes normales tal como se explican en el manual del operador.

Los gastos de entrega del producto al proveedor y los gastos de devolución del producto o las piezas de repuesto al propietario no están cubiertos por esta garantía.

La garantía no cubre el deterioro normal del acabado exterior, que incluye pero no se limita a rayones, abolladuras, cascarillas de pintura o cualquier corrosión o decoloración ocasionada por el calor, limpiadores abrasivos o químicos.



The Great States Corporation  
American Lawn Mower Company  
830 Webster Street  
Shelbyville, IN 46176  
Phone 1-800-313-5111  
[www.earthwisetools.com](http://www.earthwisetools.com)

Con el compromiso constante de mejorar la calidad, el fabricante se reserva el derecho de cambiar los componentes o el diseño cuando lo considere necesario.



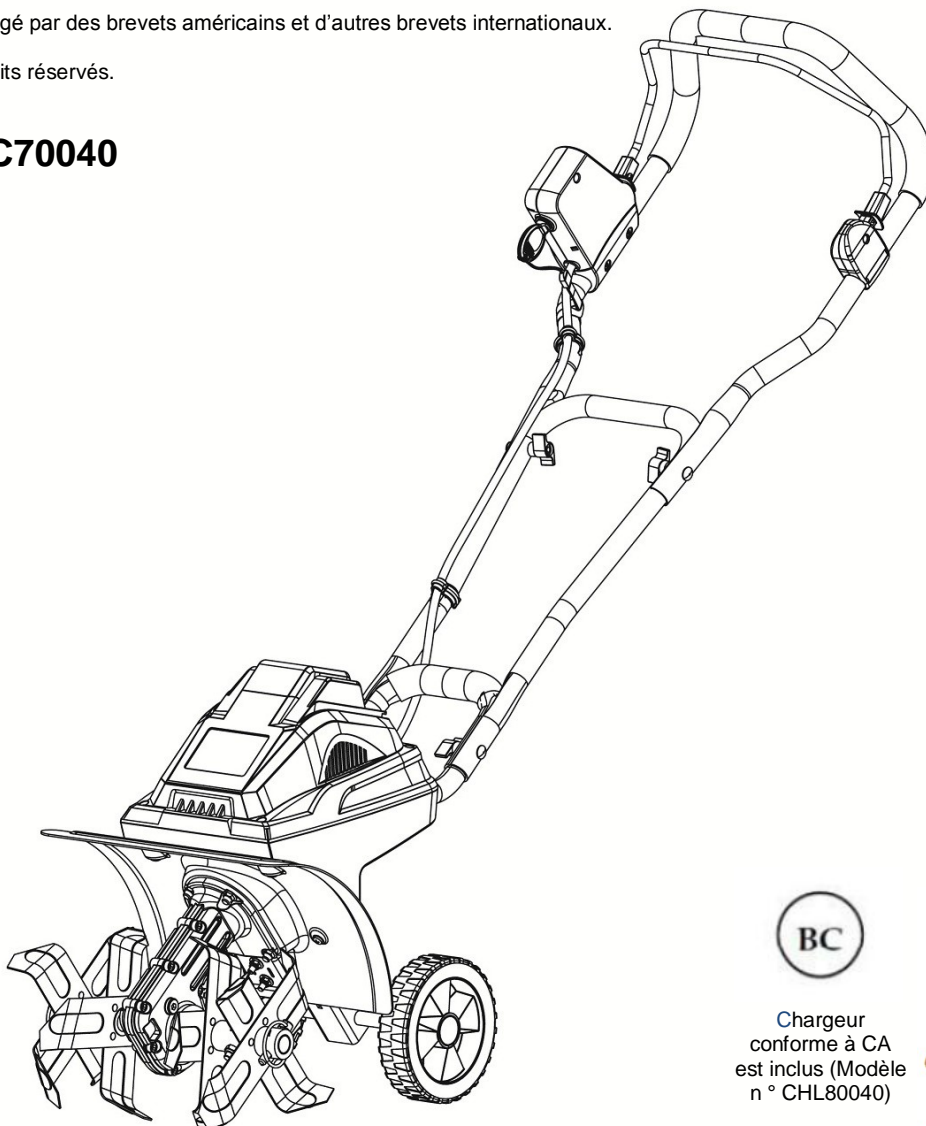
# MANUEL DE L'UTILISATEUR

## Cultivateur/griffe Sans Fil À Batterie Lithium-ion

Ce produit est protégé par des brevets américains et d'autres brevets internationaux.

Copyright. Tous droits réservés.

### Modèle TC70040



Chargeur  
conforme à CA  
est inclus (Modèle  
n ° CHL80040)



Intertek  
3189723  
CONFORMS TO UL  
STD No.82,  
CERTIFIED TO  
CAN/CSA STD C22.2  
No.147-15

Ce produit a été conçu et fabriqué selon notre norme élevée de fiabilité, de facilité d'utilisation et de sécurité de l'utilisateur. Correctement entretenu, il vous procurera des années de service intensif et sans soucis.



**AVERTISSEMENT** : Afin d'éviter de se blesser, l'utilisateur doit lire et comprendre le manuel de l'utilisateur avant d'utiliser ce produit.

**LA BATTERIE DOIT ÊTRE CHARGÉE AVANT LA PREMIÈRE UTILISATION.**

Merci pour votre achat.

NE RENVOYEZ PAS CE PRODUIT AU MAGASIN. AVEZ-VOUS DES QUESTIONS CONCERNANT LE FONCTIONNEMENT, L'ASSEMBLAGE, LES PIÈCES OU LA RÉPARATION DU PRODUIT? COMPOSEZ LE 1-800-313-5111 ENTRE 08 h 00 et 17 h 00, HEURE NORMALE DE L'EST, POUR TOUTE ASSISTANCE.

**CONSERVEZ CE MANUEL POUR POUVOIR LE CONSULTER ULTÉRIEUREMENT**

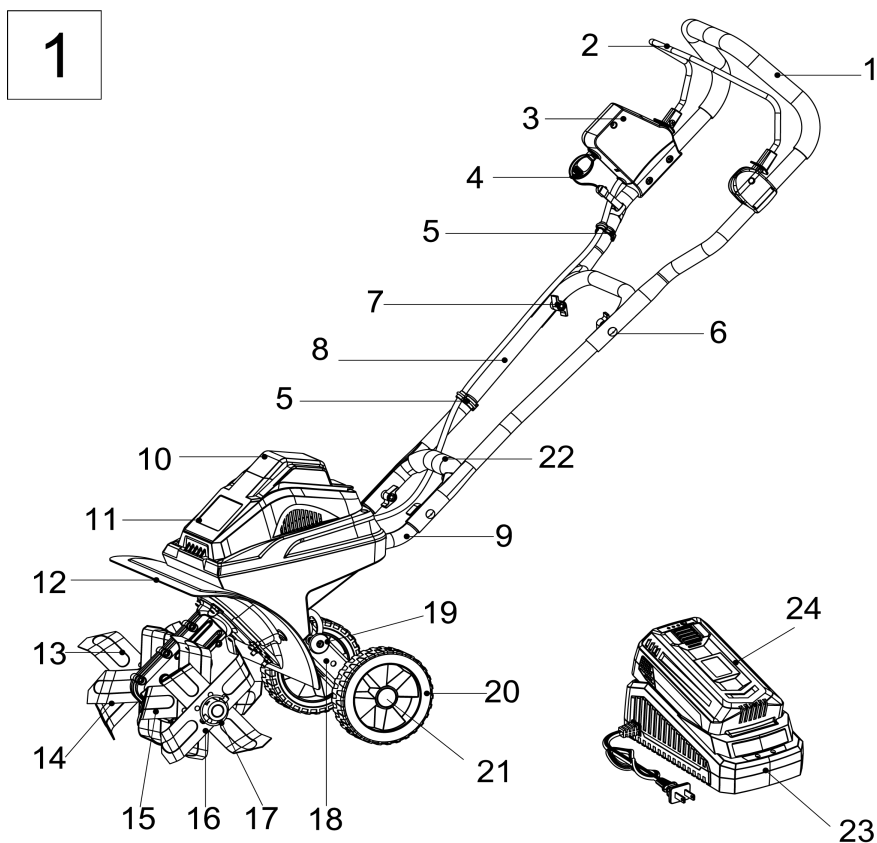
## TABLE DES MATIÈRES

Spécifications produit . . . . .	2	Entretien. . . . .	10
Symboles . . . . .	3	Charge de la batterie. . . . .	11
Avertissements de sécurité . . . . .	4 - 5	Remisage . . . . .	12
Assemblage . . . . .	6 - 7	Dépannage . . . . .	13
Utilisation . . . . .	8 - 9	Garantie . . . . .	14

## SPÉCIFICATIONS DU PRODUIT

Modèle: TC70040

Entrée:	40 V, CC uniquement	Largeur du sillon:	18 ou 28 cm (7 ou 11 po)
Batterie:	Batterie lithium de 40 volts, de 4Ah	Profondeur maximale de labour :	20 cm (8 po)
Vitesse des peignes:	130 Tours/minute (T/M)	Temps de travail:	45 Minutes
Poids:	12,7 kg (28 lb)	Temps de charge:	2,5 Heures



N°	Description (Numéro de pièce)	N°	Description (Numéro de pièce)
1	Section supérieure du guidon (RTC70040-01 & 05)	13	Peigne D (RTC70040-29)
2	Fil (RTC70040-10)	14	Peigne C (RTC70040-30)
3	Ensemble contacteur et câble d'alimentation (RTC70040-02)	15	Peigne B (RTC70040-33)
4	Clé (RTC70040-11 & 12)	16	Peigne A (RTC70040-34)
5	Attache de câble (RTC70040-07)	17	Tige de verrouillage (RTC70040-36)
6	Boulon de poignée M6 x 45 (RTC70040-08)	18	Châssis de roue (RTC70040-41)
7	Écrou à oreilles (RTC70040-09)	19	Bouton de dégagement (RTC70040-47)
8	Section centrale du guidon (RTC70040-03)	20	Roue (RTC70040-40)
9	Section inférieure du guidon (RTC70040-13)	21	Enjoliveur de roue (RTC70040-39)
10	Couverture du bloc-batterie (RTC70040-19)	22	Poignée auxiliaire (RTC70040-52)
11	Bâti du bloc-batterie (RTC70040-20)	23	Chargeur (RTC70040-51)
12	Tôle de protection (RTC70040-24)	24	Batterie au Li-Ion, 40 V/4 Ah (RTC70040-04)

## SYMBOLES

Certains des symboles suivants pourraient être utilisés avec ce produit. Veuillez les étudier et apprendre leur signification. Une interprétation correcte de ces symboles vous permettra d'utiliser le produit plus efficacement et de façon plus sûre.



Mesures de précaution pour votre sécurité.



Lisez le manuel d'instructions et respectez tous les avertissements et toutes les instructions de sécurité!



**METTRE HORS TENSION!** Débranchez immédiatement la fiche de la prise si le câble est endommagé ou coupé.



**METTRE HORS TENSION!** Retirez la clé et la batterie de la machine avant le nettoyage ou la maintenance.



N'utilisez pas l'outil dans des conditions mouillées.



Portez une protection pour les yeux et les oreilles.



Maintenez les personnes à une distance de sécurité.



**DANGER!** Lames rotatives. Gardez les mains et les pieds à une distance de sécurité.



**DANGER!** Risque de blessures par projection d'objets.



Les équipements électriques usagés ne doivent pas être éliminés avec les ordures ménagères. Recyclez l'appareil dans des lieux spécialement prévus à cet effet. Pour obtenir des conseils de recyclage, communiquez avec les autorités locales ou votre vendeur.



## AVERTISSEMENTS IMPORTANTS DE SÉCURITÉ



**POUR RÉDUIRE LE RISQUE DE BLESSURE** : Avant toute utilisation, assurez-vous que toute personne utilisant ce produit a lu et compris toutes les consignes de sécurité et les autres renseignements contenus dans ce manuel.



**ATTENTION** : Portez des protections appropriées pour les oreilles pendant l'utilisation. Dans certaines conditions et durées d'utilisation, le bruit émis par ce produit peut contribuer à une perte auditive.

Conservez ces instructions et relisez-les souvent avant d'utiliser le produit et pour instruire d'autres personnes quant à son utilisation.



**AVERTISSEMENT** : Lors de l'utilisation d'outils électriques de jardinage, les consignes de sécurité de base doivent toujours être suivies afin d'éviter les incendies, décharges électriques et blessures, notamment :

**LIRE TOUTES LES INSTRUCTIONS**

### SÉCURITÉ GÉNÉRALE

**VÉRIFIER LES PIÈCES ENDOMMAGÉES** – Avant de poursuivre l'utilisation du cultivateur, toute pièce endommagée doit être vérifiée avec précaution afin de déterminer qu'elle fonctionnera correctement et remplira sa fonction prévue. Vérifiez l'alignement des pièces mobiles, si ces dernières sont coincées, si certaines pièces sont brisées, la qualité du montage et toute autre condition pouvant affecter le fonctionnement de l'outil. Toute pièce endommagée doit être correctement réparée ou remplacée. Appelez notre service clientèle au 1-800-313-5111 pour obtenir de l'assistance.

**ÉVITER LES ENVIRONNEMENTS DANGEREUX** – N'utilisez pas ce produit sous la pluie, lors d'une tempête, ou dans des endroits humides ou mouillés. N'utilisez pas dans des atmosphères gazeuses ou explosives. Les moteurs de ces produits émettent normalement des étincelles, qui pourraient enflammer les vapeurs.

**GARDER HORS DE PORTÉE DES ENFANTS** – Tous les visiteurs, enfants et animaux domestiques doivent rester au-delà d'un périmètre de sécurité de la zone de travail.

**S'HABILLER DE FAÇON APPROPRIÉE** – Ne portez pas de vêtements amples ou de bijoux et utilisez une protection pour les cheveux longs le cas échéant. Ceux-ci peuvent être happés par des pièces mobiles. L'utilisation de gants en caoutchouc et de chaussures robustes est recommandée pour les travaux à l'extérieur.

**PORTER DES LUNETTES DE SÉCURITÉ** – Lors de l'utilisation de ce produit, portez des lunettes de sécurité avec des écrans latéraux affichant une marque de conformité à la norme ANSI Z87.1.

Tenez le guide fermement des deux mains. N'utilisez jamais le cultivateur/la griffe avec une seule main.



**AVERTISSEMENT** : Tenir les mains éloignées des pièces mobiles. Les dents ne s'arrêtent pas immédiatement de tourner après l'arrêt du cultivateur/de la griffe. N'approchez pas les mains, les pieds, toute partie du corps ou les vêtements des dents en rotation.

**RETIREZ LA BATTERIE DE LE CULTIVATEUR** quand elle n'est pas utilisée ou lors de l'entretien ou du nettoyage. Ne le laissez pas sans surveillance.



**ATTENTION** : Le cultivateur/la griffe peut rebondir vers le haut ou vers l'avant si les dents frappent du sol très tassé, gelé, ou des obstacles enfouis, comme des grosses pierres, des racines ou des souches.

**UTILISER LE BON OUTIL** – N'utilisez pas ce produit pour une tâche pour laquelle il n'a pas été conçu.

**RESTER VIGILANT** – Regardez ce que vous faites. Faites preuve de bon sens. N'utilisez pas le cultivateur/la griffe si vous êtes fatigué ou sous l'influence de médicaments, de drogues ou d'alcool.

**ÉVITEZ LES DÉMARRAGES ACCIDENTELS** : ne transportez pas la griffe lorsque la clé est insérée ou la batterie installée. Assurez-vous que la clé est retirée avant d'installer la batterie.

**NE PAS FORCER LE CULTIVATEUR** – Elle sera plus efficace et moins dangereuse à l'intensité pour laquelle elle a été conçue.

**NE PAS DÉPASSER LES LIMITES DE L'APPAREIL** – Guidez le cultivateur/la griffe uniquement à une vitesse normale de marche. Gardez en tout temps une assise correcte et un bon équilibre.

**ÉCLAIRAGE** – N'utilisez le cultivateur/la griffe qu'à la lumière du jour ou sous un bon éclairage artificiel.

**RANGER L'APPAREIL À L'INTÉRIEUR** – Lorsqu'il n'est pas utilisé, le cultivateur/la griffe doit être rangé à l'intérieur dans un endroit sec et hors de portée des enfants.

**ENTREtenir L'APPAREIL AVEC SOIN** – Maintenez-le propre pour assurer un rendement optimal et réduire le risque de blessure. Inspectez régulièrement la rallonge et remplacez-la si elle est endommagée. Maintenez les guidons secs, propres et exempts d'huile.

N'utilisez pas le cultivateur/la griffe sur une pente trop abrupte pour assurer son fonctionnement sans danger. Lors d'un travail sur des pentes, ralentissez et assurez-vous d'avoir une bonne prise.

Avant de démarrer le cultivateur, assurez-vous que les dents ne touchent aucun objet et fonctionnent sans obstruction.



**DANGER : RISQUE DE COUPURES** – Portez des gants et faites preuve de prudence lorsque vous nettoyez ou effectuez l'entretien du cultivateur/de la griffe.

Retirez toujours la clé et la batterie et attendez que les peignes se soient complètement arrêtés avant d'effectuer des travaux d'entretien ou des réparations.



**AVERTISSEMENT** : N'utilisez pas le cultivateur/la griffe à proximité de câbles électriques, de lignes téléphoniques, de tuyaux ou de boyaux enfouis.

Si le cultivateur/la griffe heurte un corps étranger, arrêtez-le immédiatement, attendez que les dents arrêtent de tourner et vérifiez pour détecter des dommages. Si nécessaire, effectuez des réparations avant de le redémarrer.

Si le cultivateur/la griffe commence à vibrer de façon anormale, arrêtez-le immédiatement et recherchez la cause du problème. Des vibrations signalent généralement un problème.



## SÉCURITÉ GÉNÉRALE



### AVERTISSEMENT : Proposition 65 de la Californie :

Ce produit contient des agents chimiques connus dans l'État de la Californie pour causer le cancer et des malformations congénitales ou autres appareil reproducteur.



**AVERTISSEMENT :** L'État de Californie considère que les poussières et débris créés par l'utilisation de cet outil sont susceptibles de contenir un ou plusieurs produits chimiques cancérigènes à l'origine de malformations congénitales ou d'autres troubles de l'appareil reproducteur. Parmi ces produits chimiques, citons :

- les produits chimiques contenus dans les engrais
- les composés d'insecticides, d'herbicides et de pesticides
- l'arsenic et le chrome du bois traité chimiquement

Votre risque d'exposition à ces produits chimiques varie en fonction de la fréquence d'exécution de ce type de travail. Afin de réduire l'exposition à ces produits chimiques, travaillez dans un endroit bien aéré et portez un équipement de sécurité homologué, comme un masque anti-poussière spécialement conçu pour filtrer les particules microscopiques.

## RÈGLES DE SÉCURITÉ DU CHARGEUR

N'utilisez pas incorrectement le cordon. N'utilisez jamais le cordon pour transporter, tirer ou débrancher l'outil électrique. Conservez le cordon loin de la chaleur, de l'huile, de bords tranchants ou de pièces en mouvement. Des cordons endommagés ou entremêlés augmentent le risque de chocs électriques.

L'utilisation d'un accessoire non recommandé ou vendu par le fabricant du chargeur de batterie peut entraîner un risque d'incendie, de chocs électriques ou de blessures. Respecter cette règle réduira les risques de chocs électriques, d'un incendie ou de blessures graves.

Ne faites pas l'entretien de la tondeuse avec la batterie, la clé de contact installé.

N'utilisez pas le chargeur lorsque la température ambiante est au-dessus de 37,8 °C (100 °F) ou en-dessous de 0 °C (32 °F).

N'utilisez pas le chargeur avec un cordon ou une prise endommagée, cela pourrait provoquer un court-circuit et un choc électrique. Si le chargeur est endommagé, remplacez-le avec un chargeur identique d'un fournisseur d'entretien autorisé.

N'utilisez pas le chargeur s'il a reçu un choc violent, s'il est tombé ou a été endommagé de toute autre manière. Amenez-le à un centre d'entretien autorisé pour une vérification électrique afin de déterminer s'il est en bon état de marche ou non.

Débranchez le chargeur de la prise murale avant son entretien ou son nettoyage pour réduire les risques d'un choc électrique.

Déconnectez le chargeur de l'alimentation quand il n'est pas utilisé afin d'éviter de l'endommager en cas de surtensions.

Risque de chocs électriques. Ne touchez pas à la partie non isolée du connecteur de sortie ou à la borne non isolée de la batterie.

N'exposez pas le chargeur à un environnement humide. Toute eau entrant dans le chargeur augmentera les risques d'un choc électrique.

Assurez-vous que le cordon soit situé de manière à ce que personne ne marche ou ne trébuche dessus et qu'il ne subisse aucun dommage ou contrainte. Cela réduira les risques d'une chute accidentelle, qui pourrait provoquer des blessures, en plus d'endommager le cordon, ce qui pourrait entraîner un choc électrique.

Conservez le cordon et le chargeur loin de la chaleur pour empêcher les dommages au bâti ou aux pièces internes.

Ne permettez pas à l'essence, aux huiles, aux produits à base de pétrole d'entrer en contact avec les pièces de plastique. Ces substances contiennent des produits chimiques pouvant endommager, affaiblir ou détruire le plastique.

N'utilisez pas de rallonge, sauf si cela est absolument nécessaire. L'utilisation d'une rallonge inadéquate peut entraîner un risque d'incendie et de choc électrique. Si une rallonge doit être utilisée, assurez-vous :

- Que les fiches de la prise de la rallonge aient les mêmes numéros, taille et forme que celles de la prise du chargeur;
- Que la rallonge soit correctement câblée et en bon état; et
- Que le calibre du fil soit suffisant pour l'intensité nominale en CA du chargeur, telle qu'indiquée ci-dessous :

Longueur du cordon (en mètres/pieds)	7,6 m (25 pi)	15,2 m (50 pi)	30,4 m (100 pi)
Taille du cordon (AWG)	16	16	16

REMARQUE : AWG = American Wire Gauge (calibre américain)

Conservez ces instructions. Consultez-les fréquemment et utilisez-les pour former autrui à l'utilisation de cet appareil. Si vous prêtez cette griffe à quelqu'un, prêtez-lui également ces instructions.



**AVERTISSEMENT :** Maintenez toutes les connexions sèches et au-dessus du sol. Ne touchez pas la fiche avec des mains mouillées.



### AVERTISSEMENTS FCC:

Veillez prendre note que des changements ou modifications à ce produit non expressément approuvés par le tiers responsable de la conformité peut annuler le droit de l'utilisateur à utiliser le produit.

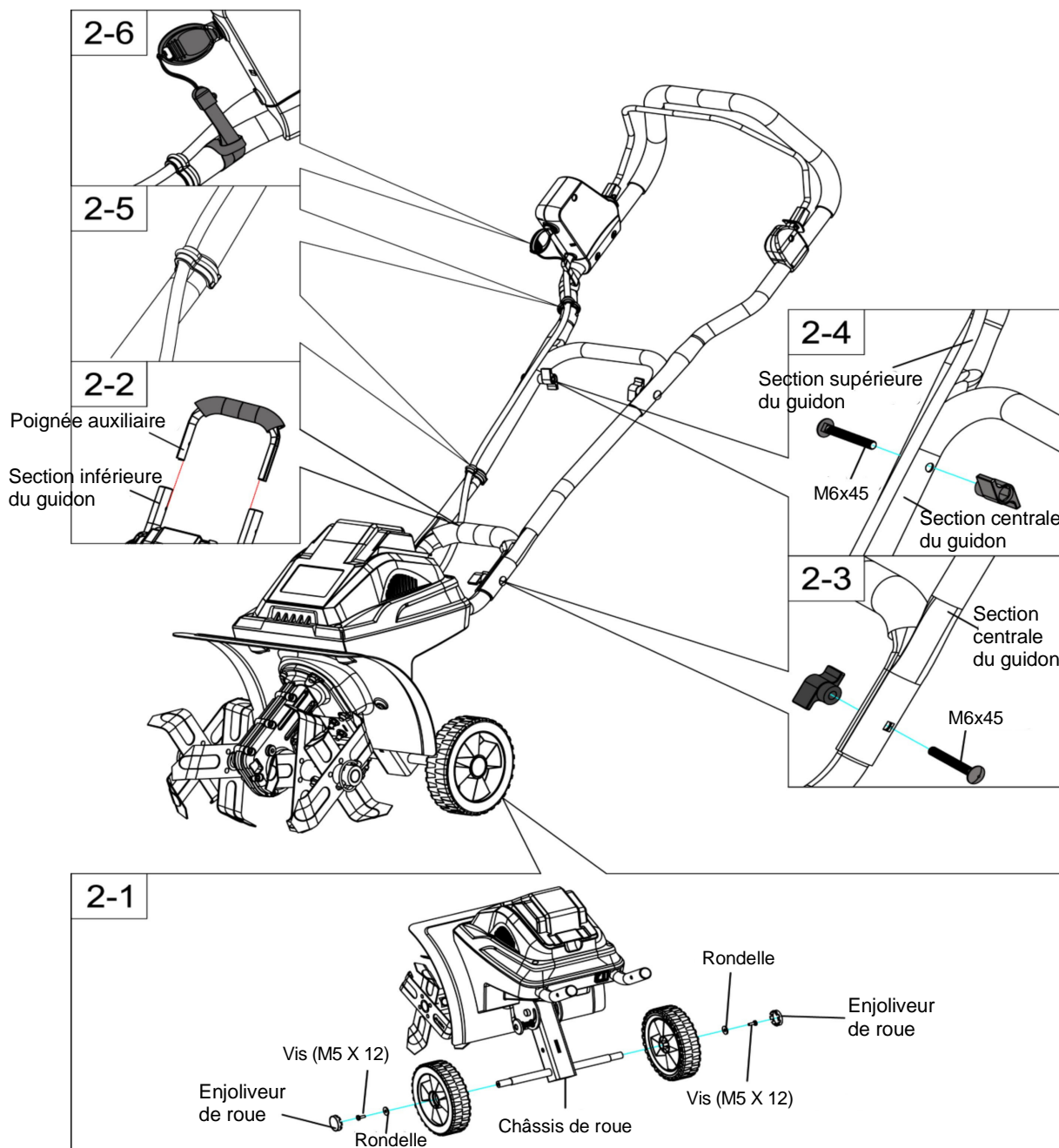
REMARQUE : Cet équipement a été testé et trouvé conforme avec les limites d'un dispositif numérique de Classe B, suivant les règles de la Partie 15 du FCC. Ces limites existent pour offrir une protection raisonnable contre les interférences nuisibles lors d'une installation résidentielle. Cet équipement génère, utilise et peut émettre de l'énergie de radiofréquences et, s'il n'est pas installé et utilisé selon les présentes instructions, peut provoquer des interférences nuisibles aux communications radio. Il n'existe cependant aucune garantie que des interférences ne vont pas se produire lors d'une installation en particulier. Si cet équipement produit des interférences nuisibles à la réception radio ou télévision, qui peuvent être déterminées en allumant et en éteignant l'appareil, l'utilisateur est encouragé à essayer de corriger les interférences grâce à l'une ou plusieurs des mesures suivantes :

- Réorienter ou déplacer l'antenne réceptrice.
- Augmenter la distance entre l'équipement et le récepteur.
- Brancher l'équipement sur une prise d'un circuit autre que celui auquel le récepteur est branché.
- Consulter le ou un technicien radio/télévision professionnel pour de l'aide.

## ASSEMBLAGE

Ce produit doit être assemblé correctement avant d'être utilisé.

1. Enlevez les vis (M5 x 12) et les rondelles du châssis de roue. Insérez les roues sur l'essieu du châssis de roue, puis fixez les rondelles et les vis (M5 x 12) pour assujettir solidement. (Fig. 2-1)
2. Pressez pour enfoncer les garde-roue dans la roue et les garde-roue aux extrémités des essieux. Vous pouvez utiliser un marteau pour les asseoir solidement dans les roues. (Fig. 2-1)
3. Alignez la poignée auxiliaire avec les poignées inférieures. Assurez-vous que les trous sont alignés. (Fig. 2-2)
4. Fixez la poignée centrale à la poignée auxiliaire et aux poignées inférieures à l'aide des deux boulons M6 X 45 et écrous à ailette fournis. (Fig. 2-3)
5. Attachez la section supérieure du guidon à la section centrale du guidon en utilisant les deux boulons M6 X 45 et les écrous à oreille fournis. (Fig. 2-4)
6. Utilisez les deux attaches-câbles fournis pour fixer le cordon. (Fig. 2-5)
7. Attachez la courroie de la clé sur la poignée, comme indiqué. (Figure 2-6) Lorsque l'appareil n'est pas utilisé, retirez la clé et rangez-la hors de portée des enfants.

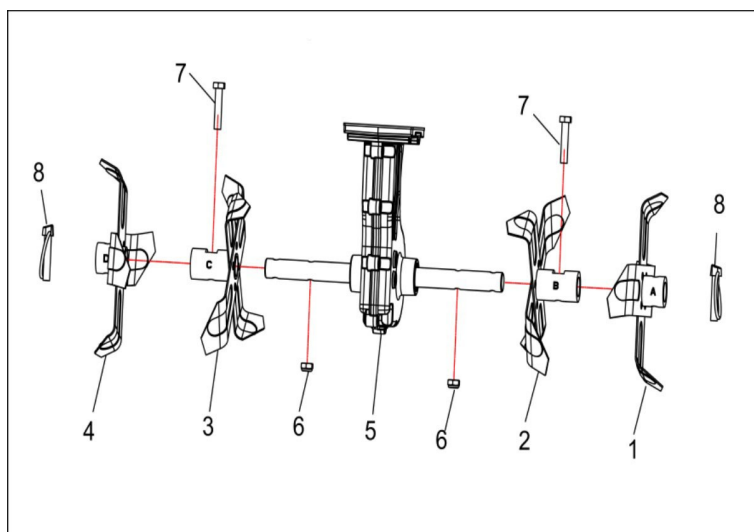


**AVERTISSEMENT** : Si des pièces sont endommagées ou manquantes, n'utilisez pas ce produit tant qu'elles ne sont pas remplacées. Le non-respect de cette consigne peut entraîner des blessures graves. Appelez notre service clientèle au 1-800-313-5111 pour obtenir de l'assistance.

**AVERTISSEMENT** : Ne tentez pas de modifier ce produit ou de créer des accessoires non recommandés pour ce produit. Toute altération ou modification de ce type constitue une utilisation abusive et peut provoquer une condition dangereuse entraînant des blessures graves possibles.

**AVERTISSEMENT** : N'installez pas la batterie tant que l'assemblage n'est pas terminé. Le non-respect de cette consigne peut entraîner un démarrage accidentel et éventuellement des blessures graves.

## INSTRUCTION D'ASSEMBLAGE DU PEIGNE RÉGLABLE



N.°	Description	Quantité
1	Peigne A	1
2	Peigne B	1
3	Peigne C	1
4	Peigne D	1
5	Assemblée du boîtier de transmission	1
6	Contre-écrou hexagonal M8	2
7	Boulon à tête hexagonale M8x40	2
8	Tige de verrouillage Ø8	2

Les peignes sont identifiés (A, B, C, D) avec les lettres estampées dans les manchons du peigne.

**! DANGER:** Avant d'ajuster l'assemblage du peigne, assurez-vous que la batterie soit retirée du compartiment de batterie et que la clé de contact soit également retirée. Le non-respect de cette consigne peut entraîner des blessures graves.

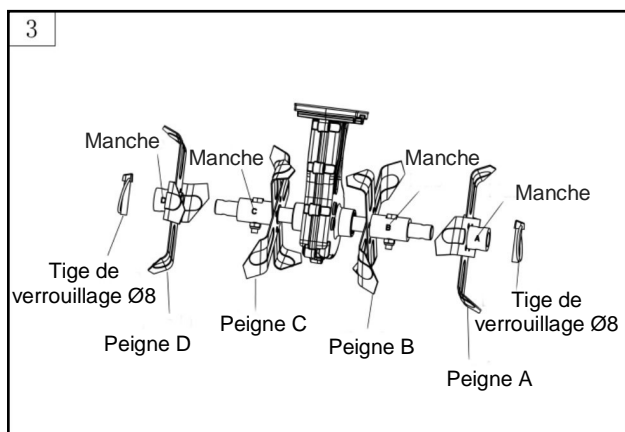
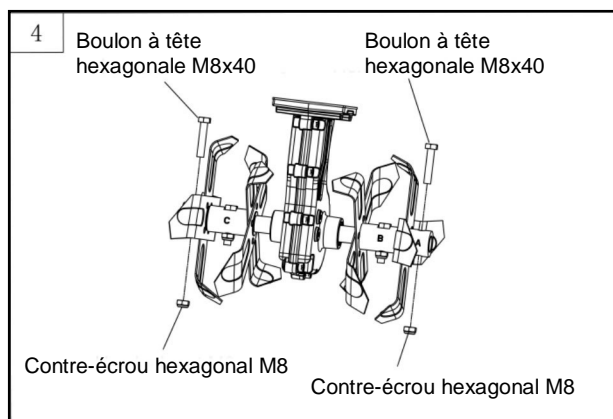
### PASSER DE QUATRE PEIGNES À DEUX PEIGNES

Levez les anneaux de la tige de verrouillage et enlevez les tiges de verrouillage aux deux extrémités de l'axe. Enlevez les peignes A et D de l'axe. (Fig. 3)

### PASSER DE DEUX PEIGNES À QUATRE PEIGNES

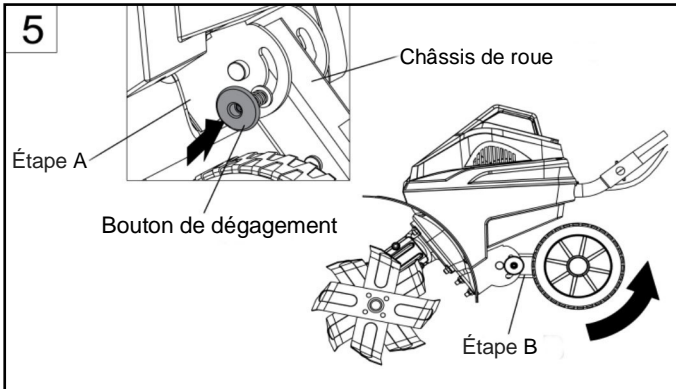
Installez le peigne A et D sur l'axe, comme illustré. Assurez-vous que les trous dans les manchons du peigne et l'axe sont alignés. Insérez la tige de verrouillage dans les trous et tirez l'anneau de la tige de verrouillage vers le bas pour bloquer la tige en place. Assurez-vous d'installer les peignes comme illustré à la Fig. 3. Les peignes ne peuvent être fixés si assemblés dans une autre séquence de position de peignes. (Fig. 3)

Si les tiges de verrouillage sont perdues ou mal placées, les peignes A et D peuvent être fixés à l'aide des boulons à tête hexagonale M8 X 40 et écrous de blocage M8 supplémentaires fournis. (Fig. 4)

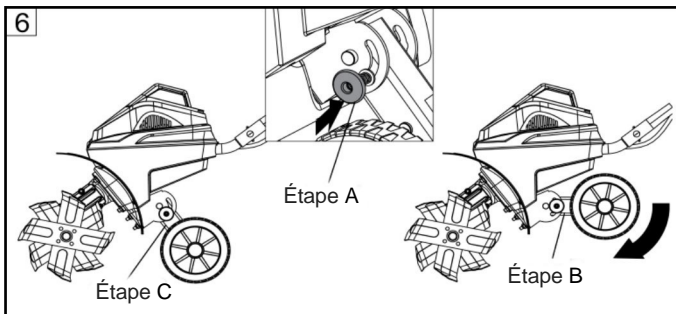


## DÉMARRAGE :

Assurez-vous que le châssis de roue est soulevée avant de démarrer la griffe. Pour relever le châssis de roue, appuyez sur le bouton de dégagement (étape A), faites tourner le châssis de roue vers le haut à l'horizontale (étape B), relâchez le bouton pour bloquer le châssis de roue en position. (Fig. 5)

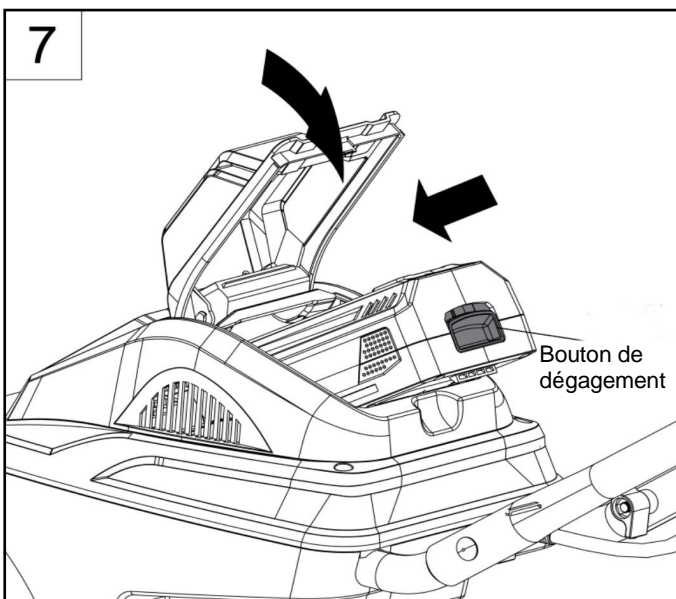


Pour abaisser le châssis de roue, appuyez sur le bouton de dégagement (étape A). Abaissez le châssis de roue (étape B) et relâchez le bouton pour verrouiller le châssis en position (étape C). (Fig. 6)



## INSTALLER LA BATTERIE

Levez le couvercle du compartiment de la batterie et introduisez la batterie jusqu'à ce qu'elle s'enclenche en position. Fermez ensuite le couvercle du compartiment de la batterie. (Fig. 7)



Déplacez le cultivateur/la griffe dans la zone de travail avant de démarrer le moteur.

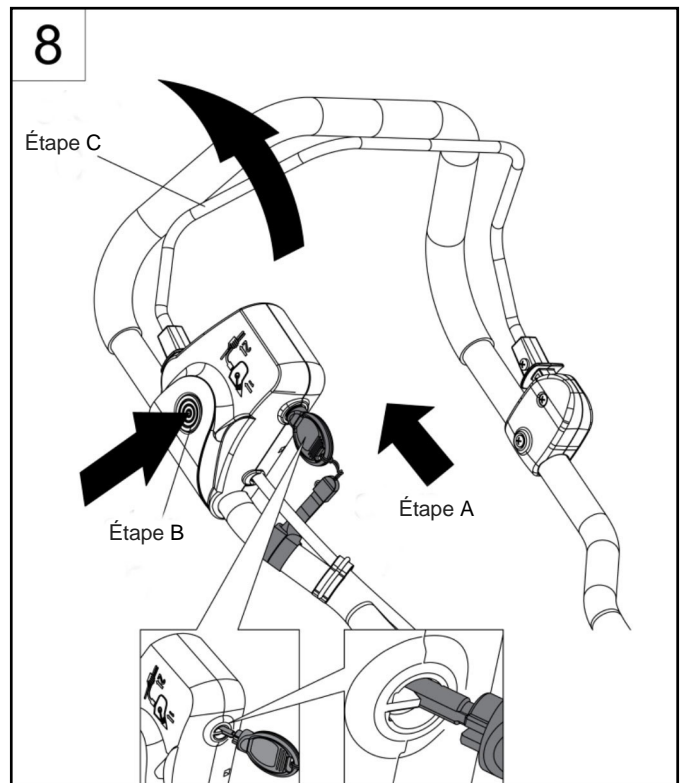
Tenez la griffe / cultivateur fermement lors du démarrage. Les peignes vont tirer la barre / cultivateur avant pendant le fonctionnement. Abaissez lentement les peignes dans le sol à labourer.

Pour mettre le cultivateur ou la griffe en marche, introduisez la clé de contact dans la fente du boîtier du contacteur (étape A). (Fig.8)

Alignez la rainure de la clé avec le guide du trou de clé. Appuyez fermement jusqu'à ce que la clé soit entièrement introduite. Ne tentez pas de tourner la clé. (Fig.8)

Appuyez sur le bouton de verrouillage du dispositif de sécurité sur le contacteur et maintenez-le pour permettre l'activation du fil de contrôle du contacteur (étape B). Tirez le fil de contrôle du contacteur vers la poignée du cultivateur (étape C) et relâchez le bouton du contacteur. Continuez de tenir le fil de contrôle du contacteur contre la poignée du cultivateur alors que vous labourez.

Relâchez le fil de contrôle du contacteur pour arrêter le cultivateur ou la griffe. (Fig.8)



## UTILISATION

Utilisez le cultivateur/la griffe pour briser du gazon de placage, préparer des lits de semence et cultiver des jardins et des massifs de fleurs. Le cultivateur/la griffe permet également de creuser de petits trous pour y planter des arbrisseaux ou des plantes en pot.

Pour briser le gazon de placage ou labourer en profondeur, laissez les dents tirer le cultivateur/la griffe pour qu'il se déplace vers l'avant jusqu'au bout de vos bras, puis tirez-le fermement vers vous. Vous obtiendrez les meilleurs résultats en laissant la machine avancer puis en la tirant vers vous.

En tirant le cultivateur/la griffe vers vous, les dents creuseront plus profondément et avec plus de vigueur.

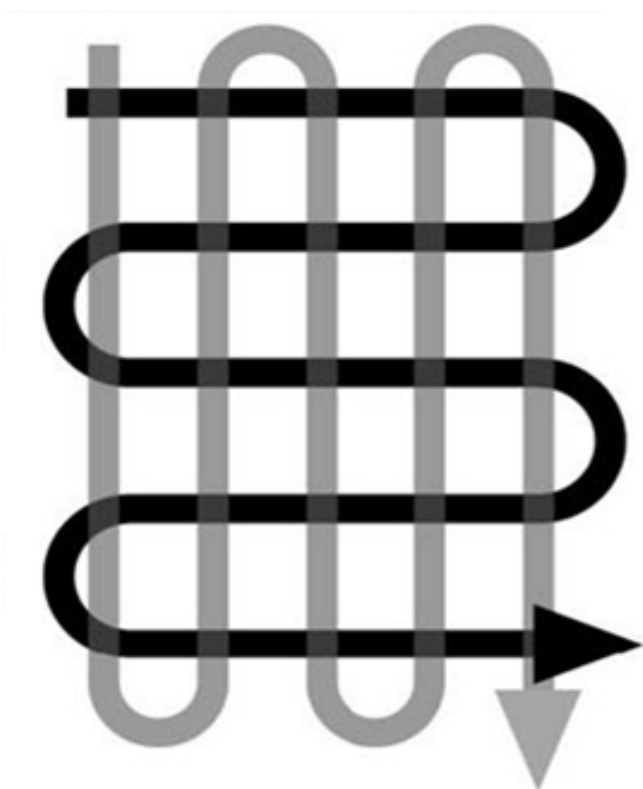
Pour éviter de trébucher, prenez des précautions supplémentaires lorsque vous reculez et tirez vers vous le cultivateur/la griffe.

Si le cultivateur/la griffe creuse suffisamment pour rester au même endroit, faites-le osciller légèrement d'un côté à l'autre jusqu'à ce qu'il recommence à avancer.

Lorsque vous travaillez sur des pentes, tenez-vous toujours en diagonale par rapport à la pente, pour maintenir une position ferme et sûre. Ne travaillez pas sur des pentes trop abruptes.

Pour la préparation des lits de semences, nous recommandons d'utiliser un de ces motifs de labourage: (Fig. 9)

**Motif de labourage A** - Faites deux passes sur la surface à labourer, la seconde étant effectuée à angle droit par rapport à la première.



A

Fig. 9

**Motif de labourage B** – Faites deux passes sur la surface à labourer, la deuxième chevauchant la première.



B

Fig. 9

**Avant d'utiliser, enlevez les pierres visibles et les autres corps étrangers de la zone.**



**ATTENTION :** Avant de déplacer le cultivateur/la griffe d'un endroit vers un autre, arrêtez le moteur et attendez que les dents s'arrêtent complètement de tourner. Assurez-vous que les dents n'entrent pas en contact avec le sol pendant le déplacement du cultivateur/de la griffe. Les dents, ainsi que l'appareil lui-même, peuvent subir des dommages, même si le moteur n'est pas en marche.

### **Enlèvement des corps étrangers :**

Pendant l'utilisation, une pierre ou une racine pourrait se loger dans les dents, ou encore de grandes herbes ou des mauvaises herbes peuvent s'enrouler autour de l'arbre des dents. Pour nettoyer les peignes ou l'arbre des peignes, relâchez le fil de contrôle, attendez que les dents s'arrêtent complètement de tourner et retirez la batterie. Enlevez les corps étrangers des dents ou de leur arbre. Pour simplifier l'élimination des grandes herbes ou des mauvaises herbes de l'arbre des dents, vous pouvez enlever une ou deux dents. Voir la section Dépose et installation des dents.

## ENTRETIEN

**DANGER:** Avant d'effectuer tout entretien, assurez-vous que la batterie soit retirée du compartiment de batterie et que la clé de contact soit également retirée. Le non-respect de cette consigne peut entraîner des blessures graves.

**Avant chaque utilisation**, vérifiez l'état des dents et assurez-vous que toutes les connexions filetées sont solidement serrées. Si les dents sont émoussées ou épointées, aiguisiez-les ou remplacez-les. Appelez notre service clientèle au 1-800-313-5111 pour obtenir de l'assistance.

Lubrifiez les dents et l'arbre **une fois par saison**. À la fin de la saison, vérifiez que le cultivateur/la griffe n'a pas subi de dommages avant de le remiser. Réparez ou remplacez les pièces endommagées ou brisées.

**ATTENTION :** Nettoyez toujours le cultivateur/la griffe après chaque utilisation. Un cultivateur/une griffe mal nettoyé risque de subir des dommages ou de fournir une piètre performance.

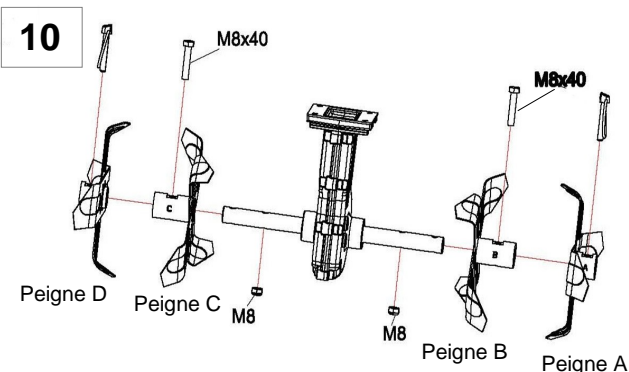
Nettoyez le dessous de la tôle de protection autour des peignes avec une brosse à récurer et un chiffon doux trempé dans une solution de savon doux et d'eau. **N'utilisez jamais un boyau d'arrosage pour nettoyer le cultivateur!** Pour enlever la terre et les débris de la transmission et des dents, utilisez une brosse dure ou un chiffon humide. Nettoyez les événements du carter de moteur et enlevez toute les herbes ou saletés restantes. Une fois nettoyé, essuyez pour sécher les dents et l'arbre et appliquez une fine couche d'huile pour prévenir la rouille.

**Maintenance des peignes :** Des dents usées entraînent une piètre performance et surchargent le moteur. Vérifiez les dents avant chaque utilisation. Aiguisiez ou remplacez les ensembles de dents par de nouvelles pièces lorsque nécessaire. Appelez le 1-800-313-5111 pour obtenir de l'aide.

**AVERTISSEMENT :** Un travail sur les dents entraîne des risques de blessures. Portez des gants protecteurs.

### Retrait et installation du peigne (Fig. 10)

Levez les anneaux de la tige de verrouillage et enlevez les tiges de verrouillage aux deux extrémités de l'axe. Enlevez les peignes A et D de l'axe. Enlevez les boulons M8 X 40 et les écrous de blocage hexagonaux M8 aux deux extrémités de l'axe. Enlevez les peignes B et C de l'axe. Suivez les étapes ci-dessus en ordre inverse pour installer les

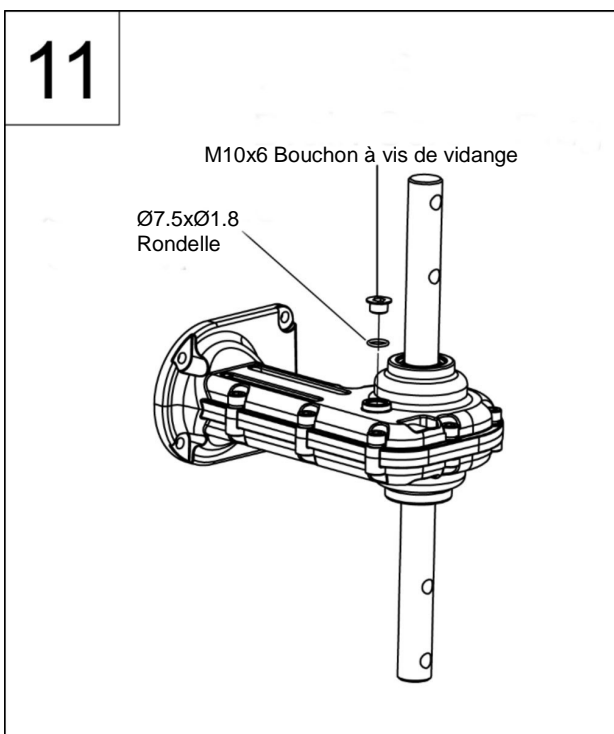


peignes.

Remplacez les pièces usées ou endommagées uniquement par des pièces d'origine. Les pièces d'un autre cultivateur/griffe pourraient ne pas s'ajuster correctement et poser des risques.

Assurez-vous que tous les dispositifs de protection sont fixés solidement et en bon état. Réparez ou remplacez si nécessaire.

**Lubrification (Fig. 11) :** La carter de transmission d'entraînement des dents est graissé en usine. Il n'est pas nécessaire de vérifier le niveau de graisse et il n'est pas recommandé d'ajouter de la graisse pendant les 2 premières années d'utilisation. Suivez les instructions ci-dessous après la deuxième saison d'utilisation :



Le bouchon à vis de vidange se trouve sur le côté droit du carter de transmission. Penchez le cultivateur/la griffe sur son côté gauche et nettoyez la saleté et les débris de la transmission avant d'enlever les bouchons à vis de vidange. Si nécessaire, enlevez les ensembles de dents pour faciliter l'accès au bouchon à vis de vidange. Utilisez une clé hexagonale de 5 mm pour dévisser le bouchon.

À l'aide d'un bidon compressible ou d'un tube, ajoutez environ 60 ml (2,0 oz.) d'huile d'engrenage automobile. Ne remplissez pas excessivement. Une fois le remplissage terminé, réinstallez le bouchon à vis de vidange dans la transmission.

## CHARGE DE LA BATTERIE

### JAUGE DE BATTERIE

Puisque la batterie de la griffe est expédiée faiblement chargée, elle doit être rechargée avant son utilisation. La batterie possède 3 témoins à DEL indiquant son niveau de charge. Ces témoins s'allumeront seulement lorsque vous appuyez sur le bouton d'indication lumineuse.

Si trois témoins VERTS s'allument, la batterie est chargée et prête à être utilisée. Deux témoins verts indiquent une charge de 25 à 80 %, tandis qu'un seul témoin vert indique une charge de 5 à 25 %.

Il est recommandé de charger le bloc-batterie lorsqu'un seul témoin est illuminé.

### CHARGE DE LA BATTERIE

La griffe vient avec de la batterie d'accumulateurs de 40 volts, scellées et ne demandant pas d'entretien.

- Retirez la clé de contact de la griffe et entreposez cette dernière dans un endroit sûr hors de portée des enfants.
- Ne chargez la batterie qu'avec le chargeur fourni.
- Permettez un temps de rechargement d'au moins deux heures avant la première utilisation de la griffe.
- Assurez-vous que la tension d'alimentation soit une tension domestique normale, **120 V, 60 Hz, CA uniquement**.
- La batterie doit être chargée dans un endroit frais et sec.
- Pour améliorer la durée de vie de la batterie, rangez-la à l'intérieur dans un environnement climatisé. **Chargez complètement le bloc-batterie tous les 3 mois.**
- La batterie ne développant pas de mémoire, il n'est pas nécessaire qu'elle soit entièrement déchargée avant de la recharger.
- 2 à 3 cycles initiaux de charge/décharge peuvent être nécessaires pour obtenir la durée/capacité maximum.
- Lorsqu'elles sont entièrement chargées, les batteries peuvent être stockées de façon sûre à des températures pouvant atteindre -20 °C (-4 °F) pendant une période allant jusqu'à un mois avant de devoir être chargées. **Chargez complètement le bloc-batterie tous les 3 mois.**
- Le chargeur de batterie doit être utilisé dans des températures entre 0 °C et 37,8 °C (32 °F et 100 °F).

### CHARGE

Insérez la prise de 120 volts du chargeur dans la prise murale. Le voyant A s'allume et reste vert. (Fig. 12)

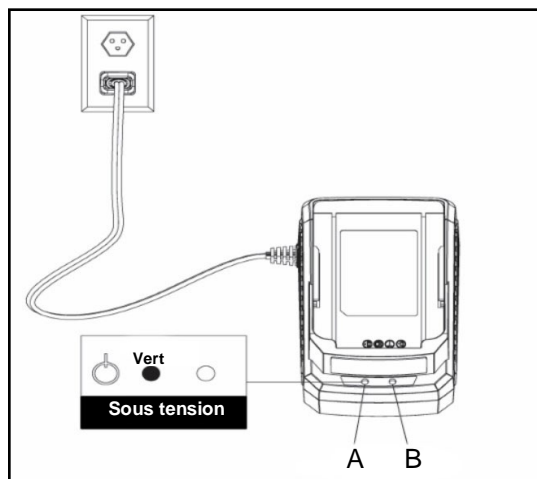
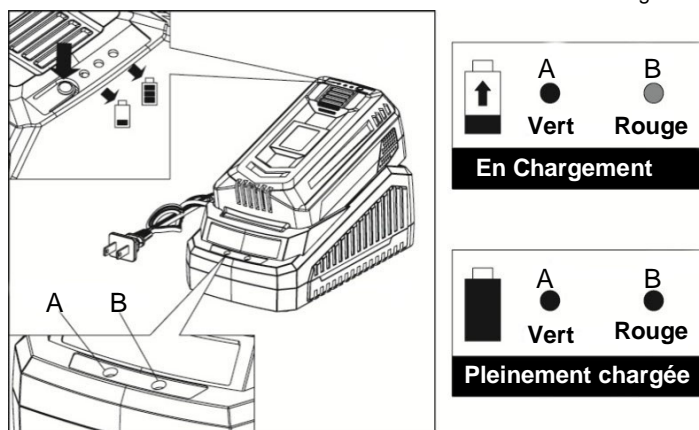


Fig. 12

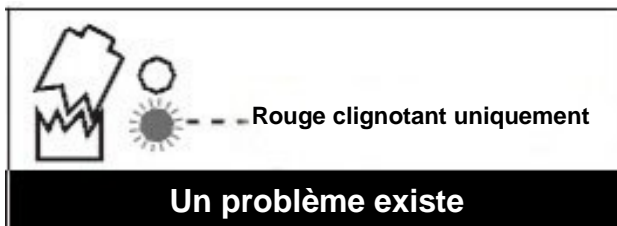
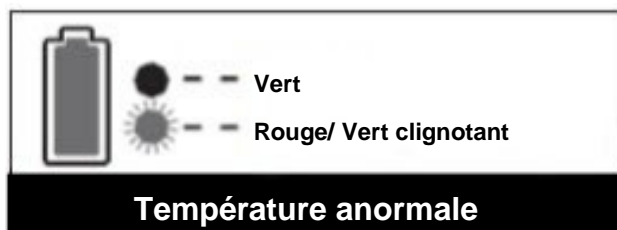
- Mettez le bloc-batterie dans le chargeur en le glissant comme indiqué dans l'illustration 13 pour le bloquer en position. Le voyant B s'allume rouge pour indiquer que la batterie se charge. Les trois voyants sur le bloc-batterie effectueront un cycle au vert.
- Lorsque le bloc-batterie est complètement chargé, le voyant B vire au vert et les voyants sur le bloc-batterie s'éteignent. (Fig 13)

REMARQUE : Durée jusqu'à recharge complète : 2,5 heures.

Fig. 13



REMARQUE : Si le voyant A reste vert alors que le voyant B clignote alternativement rouge et vert, cela indique une anomalie de température (à savoir, que le bloc-batterie est trop chaud ou trop froid). S'il y a seulement un témoin clignotant rouge, cela indique qu'il y a un problème avec la batterie. Contactez le service de service à la clientèle Earthwise au 1-800-313-5111 pour obtenir de l'aide.



Si le témoin d'indicateur de charge du voyant B clignote entre le rouge et le vert ou si l'indicateur lumineux ne s'allume pas du tout, vérifiez que le bloc-batterie repose complètement dans la fente. Retirez le bloc et réinsérez-le. Si le problème demeure, contactez le service de service à la clientèle Earthwise au -800-313-5111 pour obtenir de l'aide.

## REMISAGE

Remisez le cultivateur/la griffe dans un endroit sec, propre et hors de portée des enfants.

Lors d'un remisage pendant des périodes de temps prolongées, assurez-vous que le cultivateur/la griffe est protégé contre la corrosion et le gel.

**Remisage pour l'hiver - Effectuez une recharge complète avant le remisage et ensuite tous les 90 jours.**

À la fin de la saison, ou si le cultivateur/la griffe n'est pas utilisé pendant plus d'un mois, essuyez toutes les surfaces en métal avec un chiffon imprégné d'huile pour les protéger contre la corrosion, ou vaporisez une fine couche d'huile. Repliez la barre de guidage et remisez le cultivateur/la griffe dans un emplacement adéquat.

### MISE AU REBUT DE LA BATTERIE

Retirez la batterie de la griffe. Couvrez les bornes avec du ruban adhésif résistant. Ne tentez pas de détruire ou de démonter la batterie ou d'enlever des composants. Ce produit contient des batteries au lithium-ion qui doivent être recyclées ou éliminées de façon appropriée. Les lois locales, provinciales ou fédérales peuvent interdire l'élimination de ces batteries dans les déchets ménagers.



Le sceau RBRC sur la batterie au lithium-ion indique que le coût du recyclage de la batterie à la fin de sa durée de vie utile a déjà été payé par The Great States Corporation/American Lawn Mower Company. Il est illégal de placer des batteries lithium-ion usagées dans les ordures ménagères. RBRC, en coopération avec The Great States Corporation/American Lawn Mower Company, fournit un moyen facile et écologique de recycler les batteries lithium-ion usagées. Contactez votre centre de recyclage local ou appelez le 1-800-8-BATTERY pour des renseignements sur le lieu où vous pouvez apporter votre batterie morte.



## DÉPANNAGE

Problème	Causes possibles	Correctif
Le moteur ne démarre pas	<p>Le bouton de déverrouillage du dispositif de sécurité n'est pas entièrement relâché</p> <p>La batterie n'est pas correctement installée</p> <p>La batterie a une faible charge</p> <p>La batterie est défectueuse ou ne se recharge pas.</p> <p>La protection surchauffe est activée</p>	<p>Vérifiez que le bouton de verrouillage du dispositif de sécurité sur le contacteur soit complètement relâché avant de tirer le fil de contrôle du contacteur.</p> <p>Vérifiez l'installation de la batterie.</p> <p>Rechargez la batterie.</p> <p>Remplacez la batterie.</p> <ol style="list-style-type: none"> <li>1. La profondeur de labour est excessive, réglez pour une profondeur moindre.</li> <li>2. Les lames sont bloquées, éliminez le blocage.</li> <li>3. Le sol est trop dur, sélectionnez la profondeur de labour qui convient et avancez puis reculez plusieurs fois tout en ralentissant la vitesse de fonctionnement.</li> <li>4. Attendez pendant 15 minutes que le moteur refroidisse avant de continuer.</li> </ol>
Bruits anormaux	<p>La lame est coincée</p> <p>Lubrification insuffisante</p> <p>Les boulons, les écrous ou d'autres composants sont desserrés.</p>	<p>Arrêtez le moteur. Attendez que les dents s'arrêtent complètement de tourner. Enlevez les objets coincés.</p> <p>Le cultivateur/la griffe doit être réparé. Appelez notre service clientèle au 1-800-313-5111 pour obtenir de l'assistance.</p> <p>Resserrez tous les composants. Prenez des dispositions pour faire effectuer les réparations si le bruit continue.</p>
Vibrations anormales	<p>Les lames sont endommagées ou usées</p> <p>La profondeur de labour est excessive</p>	<p>Remplacez les lames endommagées ou usées.</p> <p>Réglez à la profondeur de labour qui convient.</p>
Piètres résultats	<p>La profondeur de labour est insuffisante</p> <p>Les lames sont usées</p>	<p>Lisez les instructions aux pages 9 et 10 sur comment Utiliser le cultivateur ou la griffe pour obtenir les résultats désirés.</p> <p>Remplacez les lames endommagées ou usées.</p>

## RÉPARATION

Maintenant que vous avez acheté votre cultivateur/griffe, il suffit de nous contacter au 1-800-313-5111 pour des pièces de rechange ou des réparations. Veillez à fournir tous les faits pertinents lorsque vous nous appelez ou nous rendez visite.

## PIÈCES DE RECHANGE

Veillez inscrire votre numéro de série dans l'espace fourni ci-dessous.

- NOM DE L'ARTICLE            Cultivateur/griffe
- NUMÉRO DE MODÈLE        TC70040
- NUMÉRO DE SÉRIE           \_\_\_\_\_

**APPELEZ-NOUS D'ABORD!!**

Appelez-nous d'abord pour toute question concernant le fonctionnement ou la maintenance de ce produit au 1.800.313.5111 entre 8 h 00 et 17 h 00, heure normale de l'Est, ou envoyez des courriels à [earthwise@reelin.com](mailto:earthwise@reelin.com).



## MANUEL DE L'UTILISATEUR Cultivateur/griffe Sans Fil À Batterie Lithium-ion

Ce produit est protégé par des brevets américains et d'autres brevets internationaux.

Copyright. Tous droits réservés.

### POLITIQUE DE GARANTIE

#### Garantie limitée de deux (2) ans sur l'équipement électrique d'extérieur Earthwise de 40 volts.

**Earthwise** garantit au propriétaire d'origine que tout nouveau produit et toute nouvelle pièce de remplacement est exempt(e) de défaut de matériau et de fabrication et s'engage en vertu de la présente garantie à réparer ou à remplacer tout produit défectueux ou toute pièce défectueuse à compter de la date d'achat d'origine pendant la période de garantie à l'exception des conditions et des circonstances indiquées ci-dessous.

Cette garantie s'applique seulement à l'acheteur d'origine dans un magasin de ventes au détail et ne peut être transférée.

La garantie s'applique si le produit est utilisé pour usage personnel, domestique ou familial. La garantie est nulle si le produit est utilisé à des fins commerciales, industrielles ou locatives.

La garantie n'inclut pas les réparations nécessaires à cause de la négligence ou de l'abus de l'opérateur (y compris la surcharge du produit au-delà de sa capacité ou son immersion dans l'eau), ou l'échec à assembler, opérer, entretenir ou entreposer le produit selon les instructions dans le manuel de l'opérateur.

Cette garantie n'est pas transférable et s'applique seulement au produit vendu directement d'un fournisseur autorisé. Cette garantie ne s'applique pas à tout produit, neuf ou usagé, acheté par le biais de canaux tiers non-autorisés.

**TOUT DOMMAGE, PERTE OU FRAIS CONSÉCUTIF, INDIRECT OU CONSÉQUENT QUI POURRAIT RÉSULTER D'UN DÉFAUT, D'UNE DÉFAILLANCE OU D'UN DYS FONCTIONNEMENT DU PRODUIT N'EST PAS COUVERT PAR LA GARANTIE.** Certains États ne permettent pas l'exclusion ou la limitation de la durée d'une garantie implicite. Les restrictions ci-dessus peuvent donc ne pas s'appliquer.

Les produits vendus endommagés ou incomplets, vendus « tels quels », ou vendus remis en état, ne sont pas couverts par cette garantie.

Les dommages ou responsabilités provoqués par le transport, une mauvaise manipulation, un mauvais assemblage, une tension ou un câblage incorrect, une mauvaise maintenance, une modification incorrecte ou l'utilisation d'accessoires ou d'outils non spécifiquement recommandés n'est pas couvert par cette garantie.

Les items consommables qui s'usent lors d'une utilisation normale ne sont pas couverts par la garantie.

La garantie ne couvre pas la détérioration normale de la finition extérieure, y compris, sans s'y limiter, aux égratignures, aux éclats de peinture entaillée ou à toute corrosion ou décoloration causée par la chaleur, les abrasifs et les nettoyeurs chimiques.

La garantie n'inclut pas l'installation, l'assemblage ou les réglages normaux expliqués dans le manuel de l'utilisateur.

Les frais de livraison du produit au vendeur ou les frais de retourner le produit ou les pièces de rechange au propriétaire ne sont pas couverts par la garantie.

La garantie ne couvre pas la détérioration normale de la finition extérieure, y compris, sans s'y limiter, aux égratignures, aux éclats de peinture entaillée ou à toute corrosion ou décoloration causée par la chaleur, les abrasifs et les nettoyeurs chimiques.

**Une preuve d'achat, original du reçu de vente daté, doit accompagner toute réclamation de garantie.**



The Great States Corporation  
American Lawn Mower Company  
830 Webster Street  
Shelbyville, IN 46176  
Phone 1-800-313-5111  
www.earthwisetools.com

Dans le cadre d'un engagement permanent d'amélioration de la qualité, le Fabricant se réserve le droit d'apporter des modifications à des composants ou à la conception si nécessaire.