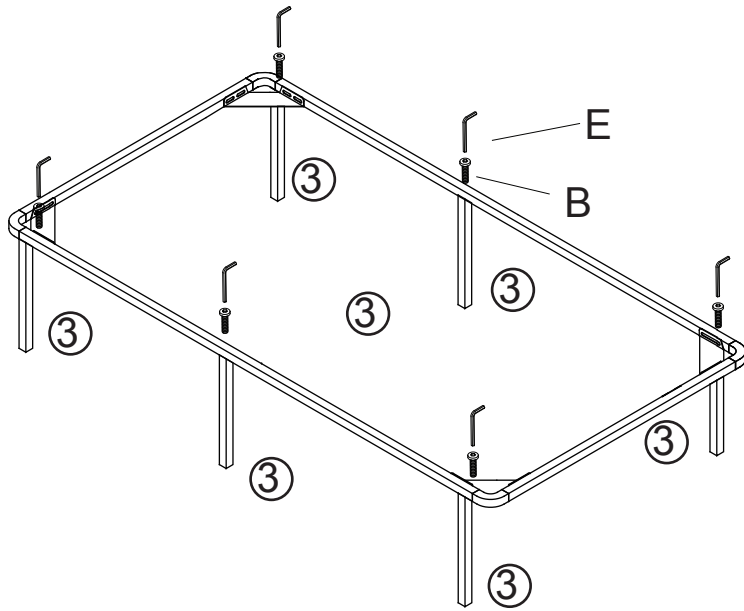
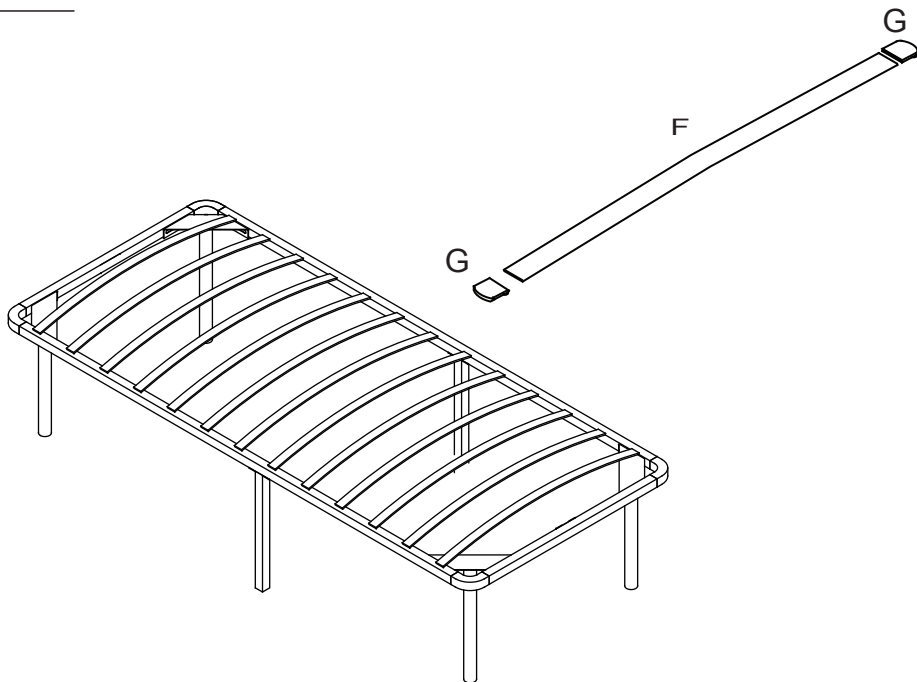


STEP 2



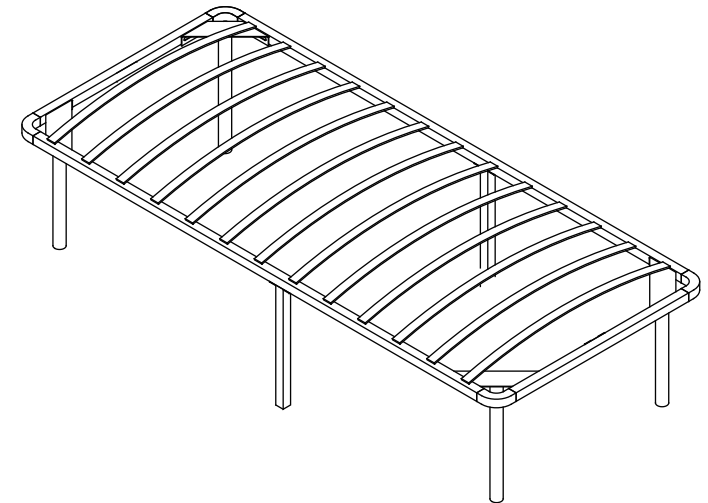
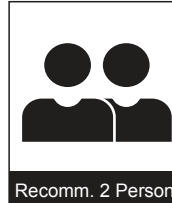
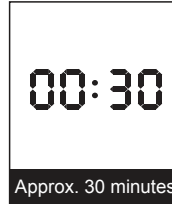
STEP 3



Assembly Instruction

Furinno Metal Platform Bed Frame
with Wooden Slats

MODEL : **FB3002T**




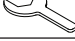


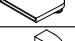







Customer Support

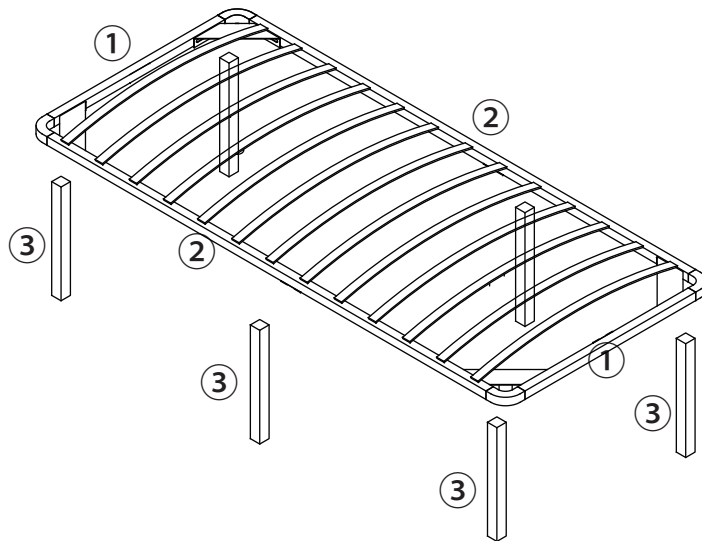
NEED HELP? For replacement requests or product inquiries, please contact our Customer Service Team by emailing us at support@furinno.com. Thank you for selecting Furinno!

www.furinno.com



No	Hardware List	Qty
A	M8×40 Screw 	16pcs
B	M8×50 Screw 	6pcs
C	M8 Nut 	16pcs
D	Open End Wrench 	1pc
E	M6 Wrench 	1pc
F	Wooden Slats 	13pcs
G	End Slat Holder 	26pcs
H	Corner Connector 	4pcs
I	Corner Bracket 	4pcs

No	Parts List	Qty
①	Short Tube 	2pcs
②	Long Tube 	2pcs
③	Support Legs 	6pcs



USEFUL HINTS BEFORE YOU START:

1. Read each step carefully before starting.
2. It is important that each step is performed in correct order to avoid difficulties.
3. Identify, sort and count the parts before assembly.
4. Assemble your furniture on packaging cardboard to prevent scratch or damage.
5. Clean the product with mild cleanser using soft damped cloth. Do not use harsh or abrasive cleanser.
6. Using incompatible hardware might cause damage to product.

NOTE: DO NOT TIGHTEN THE SCREWS UNTIL ALL PARTS ARE IN PLACE.

STEP 1

