

DVE52M7750V

SAMSUNG

Samsung Electric Dryer

7.4 cu. ft. Capacity DOE



Signature Features

2017 ENERGY STAR® Certified

- Meets the strict 2017 energy efficiency specifications and standards.

Multi-Steam Technology

- Steam away wrinkles, odors, bacteria and static.

Eco Dry

- Uses up to 25% less energy for every load.

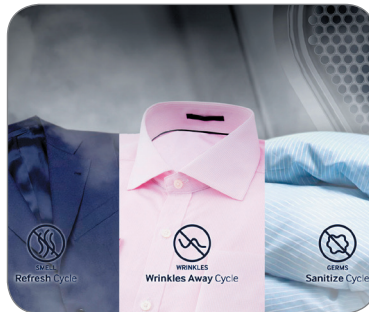
Available Colors



Fingerprint Resistant
Black Stainless Steel (shown)



White



Multi-Steam Technology



Eco Dry

Features

- 2017 ENERGY STAR® Certified
- Multi-Steam Technology
- Eco Dry
- Sensor Dry
- Smart Care
- 13 Preset Dry Cycles
- 11 Options
- Interior Drum Light
- 7.4 cu. ft. Capacity
- LED Display: Ice Blue
- Reversible See-Through Door
- Wrinkle Prevent Option
- 4-Way Venting
- Powder Coat Interior

Convenience

- Child Lock
- Filter Check Indicator

Rating



ENERGY STAR®-rated
607 kWh/yr

DVE52M7750V

SAMSUNG

Samsung Electric Dryer

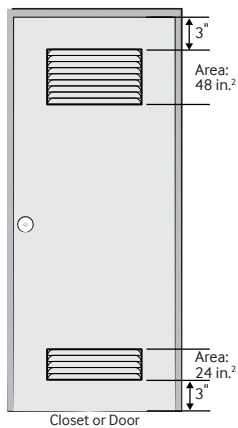
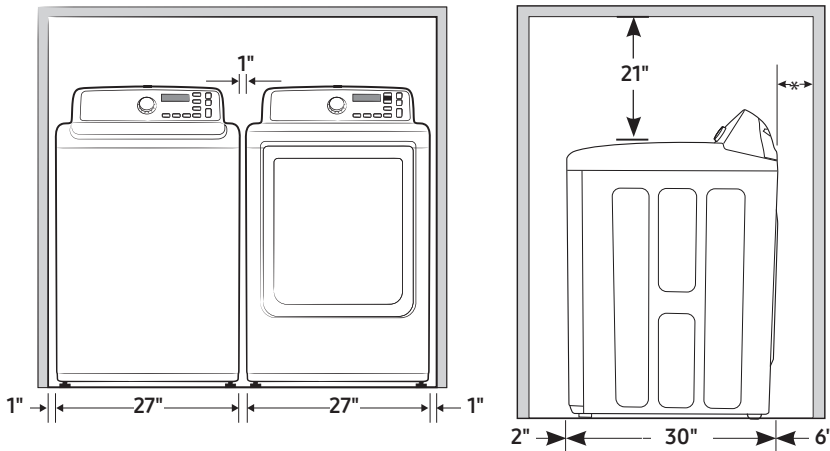
7.4 cu. ft. Capacity DOE

Installation Specifications

Alcove or closet installation

Recessed Area

Side View Confined



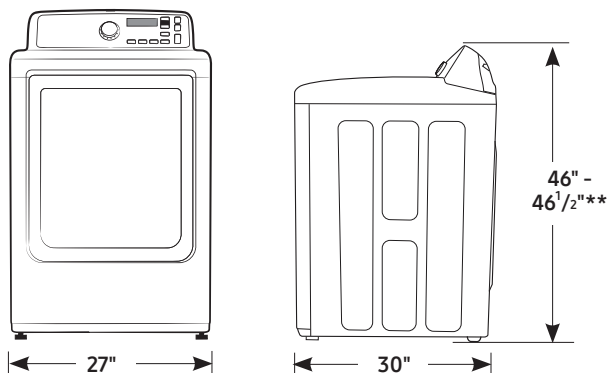
Minimum clearances for closets and alcoves:

- Sides – 1"
- Top – 21"
- Rear – 6"
- Closet Front – 2"

If the washer and dryer are installed together, the closet front must have at least a 72-inch² unobstructed air opening. Your washer alone does not require a specific air opening.

*Required spacing (External exhaust elbow may require additional space.)

Dimensions



4-Way Venting

13 Preset Dry Cycles:

Steam Refresh, Steam Sanitize, Steam Wrinkle Away, Normal, Heavy Duty, Towels, Permanent Press, Bedding, Delicates, Active Wear, Time Dry, Air Fluff, Quick Dry

11 Options:

Mixed Load Bell, Wrinkle Prevent, Adjust Time (Up), Adjust Time (Down), My Cycle, Child Lock, Sound On/Off, Anti-Static, Eco Dry, Smart Care, Drum Light

5 Temperature Settings:

High, Medium, Medium Low, Low, Extra Low

5 Dry Levels:

Very Dry, More Dry, Normal Dry, Less Dry, Damp Dry

2 Sound Level Settings:

On/Off

Warranty

One (1) Year Parts and Labor

Product Dimensions & Weight (WxHxD)

Dimensions: 27" x 46" x 30"

Weight: 121.3 lbs

Shipping Dimensions & Weight (WxHxD)

Dimensions: 29⁹/₁₆" x 48³/₁₆" x 31³/₁₆"

Weight: 130.1 lbs

Electric

Model

UPC Code

Fingerprint Resistant

Black Stainless Steel

White

DVE52M7750V

DVE52M7750W

887276196855

887276196862

Gas

Fingerprint Resistant

Black Stainless Steel

White

DVG52M7750V

DVG52M7750W

887276197029

887276197036

Matching Washer

Fingerprint Resistant

Black Stainless Steel

White

WA52M7750AV

WA52M7750AW

887276196428

887276196435

**Adjustable height depending on leveling feet.

Actual color may vary. Design, specifications, and color availability are subject to change without notice. Non-metric weights and measurements are approximate.

©2018 Samsung Electronics America, Inc., 85 Challenger Road, Ridgefield Park, NJ 07660. Tel: 800-SAMSUNG. samsung.com. Samsung is a registered trademark of Samsung Electronics Co. Ltd.