



1400 2400

MANUAL DEL USUARIO - Pg 13

ENSAMBLAJE - Pg 7

MANUEL UTILISATEUR
DU GRILL ELECTRIQUE - Pg 21

ASSEMBLAGE - Pg 7

ELECTRIC GRILL OWNER'S GUIDE

You must read this Owner's Guide before operating your electric grill.



WARNING!
POTENTIAL SHOCK
HAZARD

This appliance is Rated for
120 volts - 50/60 Hz
Output: 1500 W
Use only Weber Q140TC temperature-
controlling plug.

⚠ This grill is intended for outdoor household use only. Do not use indoors or for commercial cooking. Fuel, such as charcoal briquettes, is not to be used with appliance.

⚠ The supply cord should be regularly examined for signs of damage and the appliance is not to be used if the cord is damaged.

REGISTER YOUR GRILL

Thank you for purchasing a Weber® grill. Take a few minutes to protect your investment by registering your grill online at www.weber.com. Reference the serial number on the front cover of this owner's guide.

IMPORTANT SAFEGUARDS

When using electrical appliances, basic safety precautions should always be followed including the following:

- ⚠ Read all instructions.
- ⚠ CAUTION: Grill brushes should be checked for loose bristles and excessive wear on a regular basis. Replace brush if any loose bristles are found on cooking grates or brush. Weber recommends purchasing a new stainless steel grill brush at the beginning of every spring.
- ⚠ CAUTION: To ensure continued protection against risk of electric shock, connect to properly grounded three prong GFI outlets only. Do not use a two prong adapter.
- ⚠ WARNING: Use only outdoors, do not expose to rain. This is to prevent electric shock which can cause serious bodily injury or death.
- ⚠ WARNING: Disconnect appliance from supply circuit before performing maintenance and cleaning.
- ⚠ WARNING: For protection against risk of electric shock, connect to properly grounded outlets only.
- ⚠ WARNING: For protection against risk of electric shock, keep extension cord connection dry and off the ground.
- ⚠ CAUTION: Store Temperature Controller indoors when not in use.
- ⚠ Do not place on or near a hot gas or electric burner, or in a heated oven.
- ⚠ Use extreme caution when removing tray or disposing of hot grease.
- ⚠ Do not clean with metal scouring pads. Pieces can break off the pad and touch electrical parts, creating a risk of electric shock.
- ⚠ Do not use charcoal in this appliance.

- ⚠ Do not touch surfaces that may be hot. Use handles or knobs provided.
- ⚠ To protect against electrical shock do not immerse cord, plugs, portable appliances (or other specific part or parts) in water or other liquid.
- ⚠ Close supervision is necessary when any appliance is used by or near children.
- ⚠ Make sure appliance is OFF and remove plug from outlet when not in use, before putting on or taking off parts, and before cleaning. Allow to cool before handling.
- ⚠ Do not operate any appliance with a damaged cord or plug or after the appliance malfunctions or is dropped or damaged in any manner. Contact the Customer Service Representative in your area using the contact information on our web site. Log onto www.weber.com.
- ⚠ The use of accessories not recommended by Weber may cause damage or injuries.
- ⚠ Do not let cord hang over edge of table or counter or touch hot surfaces.
- ⚠ Where applicable, always attach plug to appliance and check that the control is OFF before plugging cord into wall outlet. To disconnect, turn the control to OFF, then remove plug from wall outlet.
- ⚠ Do not use appliance for other than intended use.
- ⚠ Avoid contacting moving parts.



48612

SAVE THESE INSTRUCTIONS

US - ENGLISH
09/10/14

IMPORTANT SAFEGUARDS

⚠ DANGER

Failure to follow the Dangers, Warnings and Cautions contained in this Owner's Manual may result in serious bodily injury or death, or in a fire or an explosion causing damage to property.

⚠ WARNINGS

- ⚠ **WARNING:** Do not use charcoal or other combustible fuels in this grill. This grill is not designed for charcoal use and a fire could result. The fire could create an unsafe condition and damage to the grill.
- ⚠ Always plug Temperature Controller into grill before plugging power cord into outlet.
- ⚠ Do not operate unit if plug receptacle is damaged.
- ⚠ Operate grill only on a level, stable surface.
- ⚠ Do not in any way alter this product or its use.
- ⚠ If using an extension cord it must be rated no less than that of the appliance. Extension cords must be marked with the letter "W" and with a tag stating, "Suitable for use with outdoor appliance".
- ⚠ Use shortest length extension cord possible. Do not connect 2 or more extension cords together.
- ⚠ Do not immerse grill or Temperature Controller in water when cleaning.
- ⚠ Do not leave Temperature Controller in the ON position during periods of non-use.
- ⚠ Do not leave grill unattended when in use.
- ⚠ Keep children and pets away from grill when in use.
- ⚠ Young children should be supervised to ensure that they do not play with the appliance.
- ⚠ This appliance is not intended for use by young children or infirm persons unless they have been adequately supervised by a responsible person to ensure that they can use the appliance safely.
- ⚠ Clean grease catch pan regularly.
- ⚠ Locate power cord away from traffic areas. Arrange the cord so that it will not be pulled or tripped over.
- ⚠ Do not use grill near combustible materials such as dry grass, shrubs, etc.
- ⚠ Do not allow grill to come into close contact with flammable materials such as paper, walls, draperies, towels, chemicals, etc.
- ⚠ Do not use as a heater.
- ⚠ Do not move the grill while it is in use. Allow the appliance to cool before moving, cleaning or storing it.
- ⚠ Do not use grill when raining or snowing.
- ⚠ To prevent grill from being splashed or falling into water, do not use grill within 10 feet of any body of water such as a pool or pond.
- ⚠ Do not operate grill with a Temperature Controller that has a damaged cord or plug. Call Weber for a replacement Temperature Controller. The Temperature Controller is made specifically for this grill.
- ⚠ Pulling Temperature Controller by the knob could cause the knob to come off. Remove Temperature Controller by gripping on it's side (Refer to "MAINTENANCE").
- ⚠ Do not allow cord to touch the grill when it is hot.
- ⚠ This grill is intended for outdoor household use only. Do not use indoors or for commercial cooking.
- ⚠ If a flare up occurs, do not use water to put out fire. Turn grill to OFF. Unplug power cord and wait for grill to cool.
- ⚠ Make sure no other high wattage appliances are plugged into the same circuit when using grill.
- ⚠ Do not clean this product with a water spray or the like.
- ⚠ Unplug grill when not in use and cover when cool. Properly store the appliance indoors when not in use - out of the reach of children.
- ⚠ Use this grill only as described in this manual. Any other use not recommended in this manual may cause fire, electric shock, or injury to persons.
- ⚠ Always ensure that electrical socket being used has the correct rating. Socket must be rated no less than 120V AC.
- ⚠ This appliance conforms to technical standards and the safety requirements for electrical devices.
- ⚠ The grease catch pan must be in place at all times during grill operation.
- ⚠ Do not build this model of grill in any built-in or slide-in construction. Ignoring this warning could cause a fire or an explosion that may damage property or cause serious bodily injury or death.

WARRANTY

Thank you for purchasing a WEBER® product. Weber-Stephen Products LLC, 200 East Daniels Road, Palatine, Illinois 60067-6266 ("Weber") prides itself on delivering a safe, durable, and reliable product.

This is Weber's Voluntary Warranty provided to you at no extra charge. It contains the information you will need to have your WEBER® product repaired in the unlikely event of a failure or defect.

Pursuant to applicable laws, the customer has several rights in case the product is defective. Those rights include supplementary performance or replacement, abatement of the purchasing price, and compensation. In the European Union, for example, this would be a two-year statutory warranty starting on the date of the handover of the product. These and other statutory rights remain unaffected by this warranty provision. In fact, this warranty grants additional rights to the Owner that are independent from statutory warranty provisions.

WEBER'S VOLUNTARY WARRANTY

Weber warrants, to the purchaser of the WEBER® product (or in the case of a gift or promotional situation, the person for whom it was purchased as a gift or promotional item), that the WEBER® product is free from defects in material and workmanship for the period(s) of time specified below when assembled and operated in accordance with the accompanying Owner's Guide. [Note: If you lose or misplace your WEBER® Owner's Guide, a replacement is available online at www.weber.com, or such country-specific website to which Owner may be redirected.] Under normal, private single family home or apartment use and maintenance, Weber agrees within the framework of this warranty to repair or replace defective parts within the applicable time periods, limitations and exclusions listed below. TO THE EXTENT ALLOWABLE BY APPLICABLE LAW, THIS WARRANTY IS EXTENDED ONLY TO THE ORIGINAL PURCHASER AND IS NOT TRANSFERABLE TO SUBSEQUENT OWNERS, EXCEPT IN THE CASE OF GIFTS AND PROMOTIONAL ITEMS AS NOTED ABOVE.

OWNER'S RESPONSIBILITIES UNDER THIS WARRANTY

To ensure trouble-free warranty coverage, it is important (but it is not required) that you register your WEBER® product online at www.weber.com, or such country-specific website to which Owner may be redirected). Please also retain your original sales receipt and/or invoice. Registering your WEBER® product confirms your warranty coverage and provides a direct link between you and Weber in case we need to contact you.

The above warranty only applies if the Owner takes reasonable care of the WEBER® product by following all assembly instructions, usage instructions, and preventative maintenance as outlined in the accompanying Owner's Guide, unless the Owner can prove that the defect or failure is independent of non-compliance with the above mentioned obligations. If you live in a coastal area, or have your product located near a pool, maintenance includes regular washing and rinsing of the exterior surfaces as outlined in the accompanying Owner's Guide.

WARRANTY HANDLING / EXCLUSION OF WARRANTY

If you believe that you have a part which is covered by this Warranty, please contact Weber Customer Service using the contact information on our website (www.weber.com, or such country-specific website to which Owner may be redirected). Weber will, upon investigation, repair or replace (at its option) a defective part that is covered by this Warranty. In the event that repair or replacement are not possible, Weber may choose (at its option) to replace the grill in question with a new grill of equal or greater value. Weber may ask you to return parts for inspection, shipping charges to be pre-paid.

This WARRANTY lapses if there are damages, deteriorations, discolorations, and/or rust for which Weber is not responsible caused by:

- Abuse, misuse, alteration, modification, misapplication, vandalism, neglect, improper assembly or installation, and failure to properly perform normal and routine maintenance;
- Insects (such as spiders) and rodents (such as squirrels), including but not limited to damage to burner tubes and/or gas hoses;
- Exposure to salt air and/or chlorine sources such as swimming pools and hot tubs/spas;
- Severe weather conditions such as hail, hurricanes, earthquakes, tsunamis or surges, tornadoes or severe storms.

The use and/or installation of parts on your WEBER® product that are not genuine Weber parts will void this Warranty, and any damages that result hereby are not covered by this Warranty. Any conversion of a gas grill not authorized by Weber and performed by a Weber authorized service technician will void this Warranty.

PRODUCT WARRANTY PERIODS

Cookbox:
5 years, no rust through/burn through
(2 years paint excluding fading or discoloration)

Lid assembly:
5 years, no rust through/burn through
(2 years paint excluding fading or discoloration)

Plastic components:
5 years, excluding fading or discoloration

All remaining parts:
2 years

DISCLAIMERS

APART FROM THE WARRANTY AND DISCLAIMERS AS DESCRIBED IN THIS WARRANTY STATEMENT, THERE ARE EXPLICITLY NO FURTHER WARRANTY OR VOLUNTARY DECLARATIONS OF LIABILITY GIVEN HERE WHICH GO BEYOND THE STATUTORY LIABILITY APPLYING TO WEBER. THE PRESENT WARRANTY STATEMENT ALSO DOES NOT LIMIT OR EXCLUDE SITUATIONS OR CLAIMS WHERE WEBER HAS MANDATORY LIABILITY AS PRESCRIBED BY STATUTE.

NO WARRANTIES SHALL APPLY AFTER THE APPLICABLE PERIODS OF THIS WARRANTY. NO OTHER WARRANTIES GIVEN BY ANY PERSON, INCLUDING A DEALER OR RETAILER, WITH RESPECT TO ANY PRODUCT (SUCH AS ANY "EXTENDED WARRANTIES"), SHALL BIND WEBER. THE EXCLUSIVE REMEDY OF THIS WARRANTY IS REPAIR OR REPLACEMENT OF THE PART OR PRODUCT.

IN NO EVENT UNDER THIS VOLUNTARY WARRANTY SHALL RECOVERY OF ANY KIND BE GREATER THAN THE AMOUNT OF THE PURCHASE PRICE OF THE WEBER PRODUCT SOLD.

YOU ASSUME THE RISK AND LIABILITY FOR LOSS, DAMAGE, OR INJURY TO YOU AND YOUR PROPERTY AND/OR TO OTHERS AND THEIR PROPERTY ARISING OUT OF THE MISUSE OR ABUSE OF THE PRODUCT OR FAILURE TO FOLLOW INSTRUCTIONS PROVIDED BY WEBER IN THE ACCOMPANYING OWNER'S GUIDE.

PARTS AND ACCESSORIES REPLACED UNDER THIS WARRANTY ARE WARRANTED ONLY FOR THE BALANCE OF THE ABOVE MENTIONED ORIGINAL WARRANTY PERIOD(S).

THIS WARRANTY APPLIES TO PRIVATE SINGLE FAMILY HOME OR APARTMENT USE ONLY AND DOES NOT APPLY TO WEBER GRILLS USED IN COMMERCIAL, COMMUNAL OR MULTI-UNIT SETTINGS SUCH AS RESTAURANTS, HOTELS, RESORTS, OR RENTAL PROPERTIES.

WEBER MAY FROM TIME TO TIME CHANGE THE DESIGN OF ITS PRODUCTS. NOTHING CONTAINED IN THIS WARRANTY SHALL BE CONSTRUED AS OBLIGATING WEBER TO INCORPORATE SUCH DESIGN CHANGES INTO PREVIOUSLY MANUFACTURED PRODUCTS, NOR SHALL SUCH CHANGES BE CONSTRUED AS AN ADMISSION THAT PREVIOUS DESIGNS WERE DEFECTIVE.

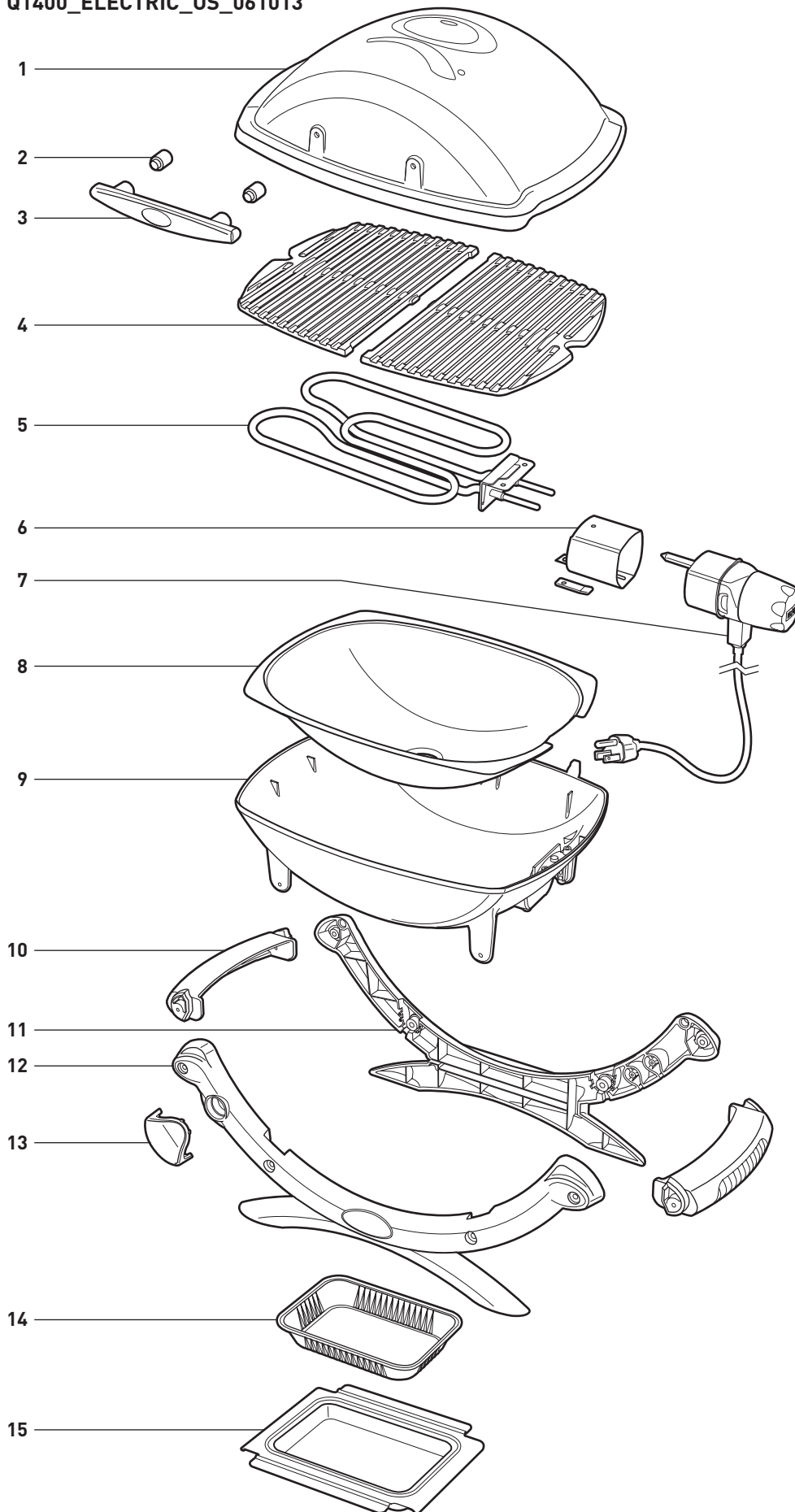
WEBER-STEPHEN PRODUCTS LLC
Customer Service Center
2900 Golf Road
Rolling Meadows, IL 60008
U.S.A.

For replacement parts, call:
1-800-446-1071

The grills illustrated in this Owner's Guide may vary slightly from the model purchased.

EXPLODED VIEW, VISION ÉCLATÉE, DIAGRAMA DE DESPIECE - 1400

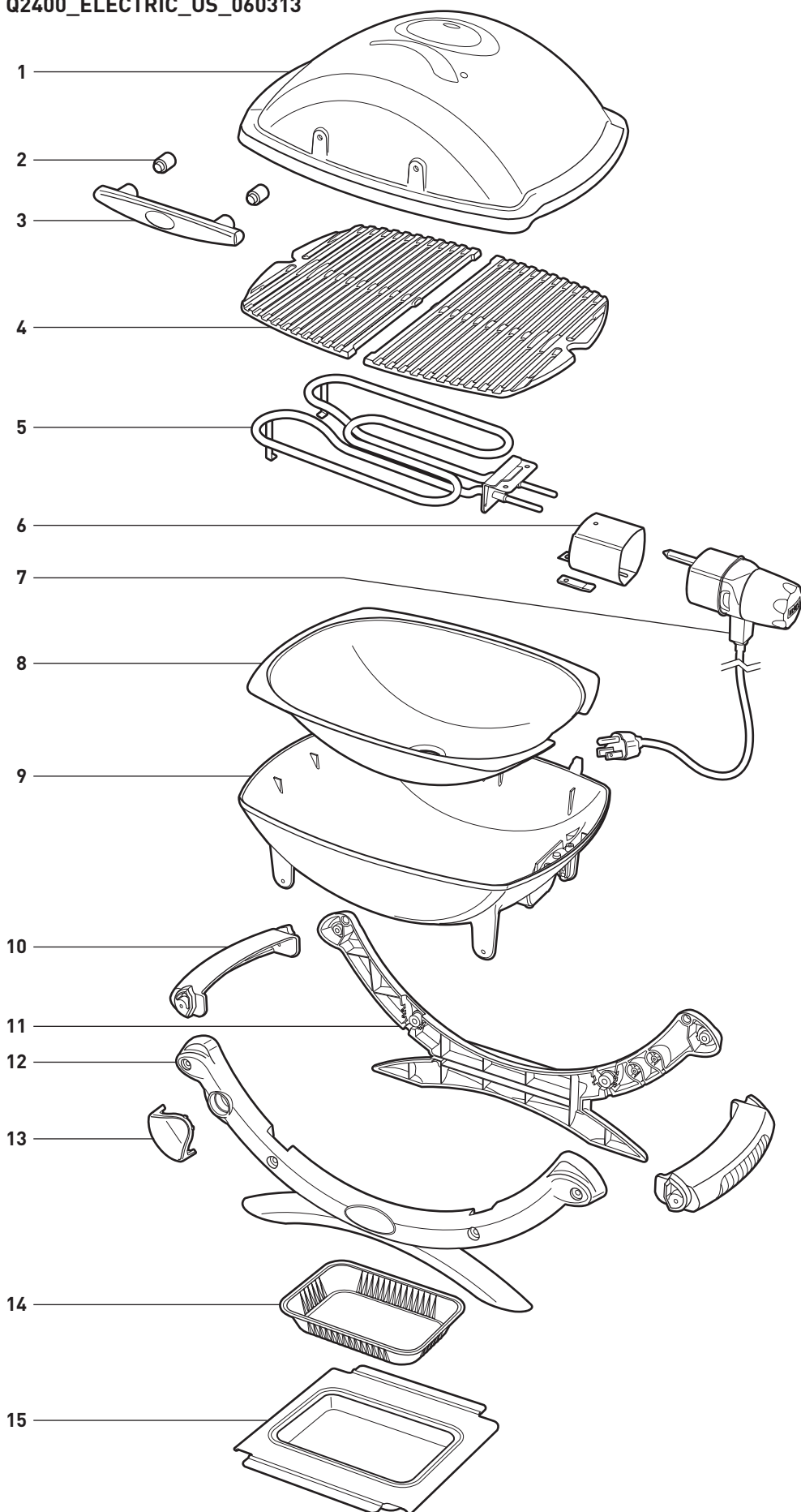
Q1400_ELECTRIC_US_061013



1. **Lid**
Tapa
Couvercle
2. **Handle Spacer**
Espaciador del asa
Ecarteur de poignée
3. **Handle**
Asa
Poignée
4. **Cooking Grate**
Rejilla de cocción
Grille de cuisson
5. **Heat Element Assembly**
Ensamble del elemento calentador
Élément chauffant
6. **Controller Bracket Sleeve**
Manga del soporte del regulador
Manchon de support de bouton de commande
7. **Temperature Controller with Power Cord**
Regulador de temperatura con cordón eléctrico
Bouton de commande de température avec cordon d'alimentation
8. **Removable Bowl Liner**
Forro de quita y pon del tazón
Doublure de bol démontable
9. **Cookbox**
Caja de cocción
Chambre de cuisson
10. **Carrying Handle**
Asa de carga
Poignée de transport
11. **Rear Cradle**
Bastidor posterior de soporte
Socle arrière
12. **Front Cradle**
Bastidor delantero de soporte
Socle avant
13. **Cradle Logo**
Logotipo del bastidor de soporte
Logo de socle
14. **Disposable Drip Pan**
Bandeja de goteo desechable
Lêchefrite jetable
15. **Grease Catch Pan**
Plato recolector
Egouttoir

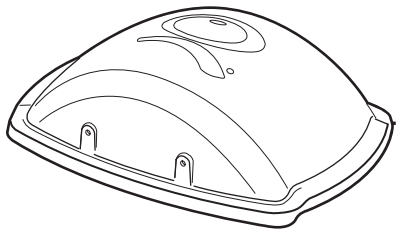
EXPLODED VIEW, VISION ÉCLATÉE, DIAGRAMA DE DESPIECE - 2400

Q2400_ELECTRIC_US_060313

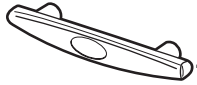


1. **Lid**
Tapa
Couvercle
2. **Handle Spacer**
Espaciador del asa
Ecarteur de poignée
3. **Handle**
Asa
Poignée
4. **Cooking Grate**
Rejilla de cocción
Grille de cuisson
5. **Heat Element Assembly**
Ensamble del elemento calentador
Élément chauffant
6. **Controller Bracket Sleeve**
Manga del soporte del regulador
Manchon de support de bouton de commande
7. **Temperature Controller with Power Cord**
Regulador de temperatura con cordón eléctrico
Bouton de commande de température avec cordon d'alimentation
8. **Removable Bowl Liner**
Forro de quita y pon del tazón
Doublure de bol démontable
9. **Cookbox**
Caja de cocción
Chambre de cuisson
10. **Carrying Handle**
Asa de carga
Poignée de transport
11. **Rear Cradle**
Bastidor posterior de soporte
Socle arrière
12. **Front Cradle**
Bastidor delantero de soporte
Socle avant
13. **Cradle Logo**
Logotipo del bastidor de soporte
Logo de socle
14. **Disposable Drip Pan**
Bandeja de goteo desechable
Lèchefrite jetable
15. **Grease Catch Pan**
Plato recolector
Egouttoir

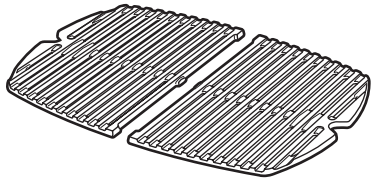
PARTS LIST, LISTE DES PIÈCES, LISTA DE PIEZAS



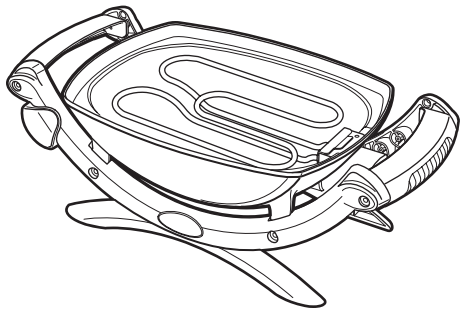
1



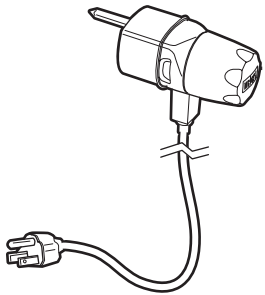
1



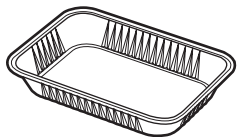
1



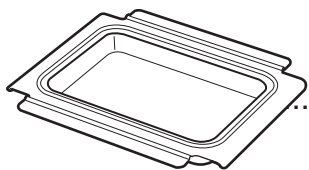
1



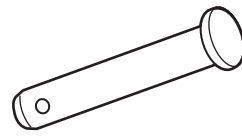
1



1



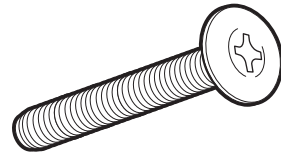
1



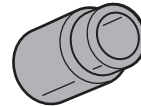
2



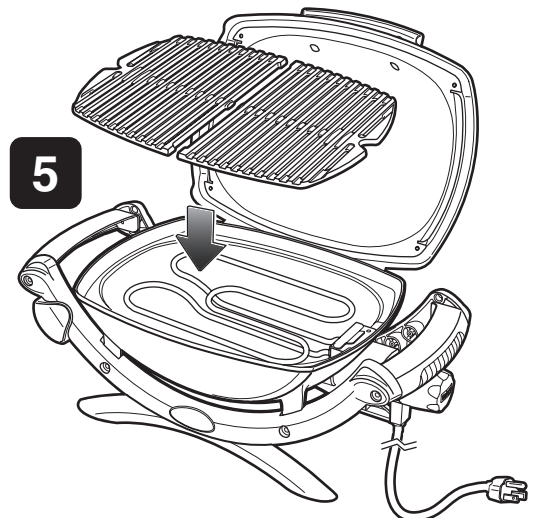
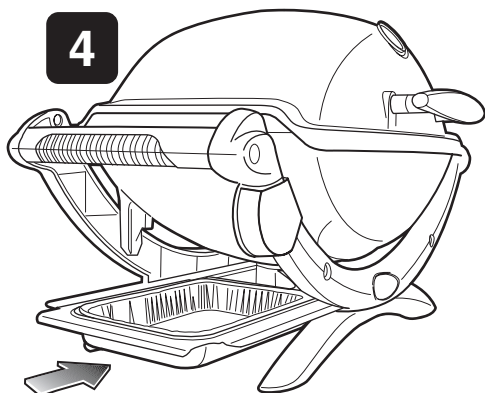
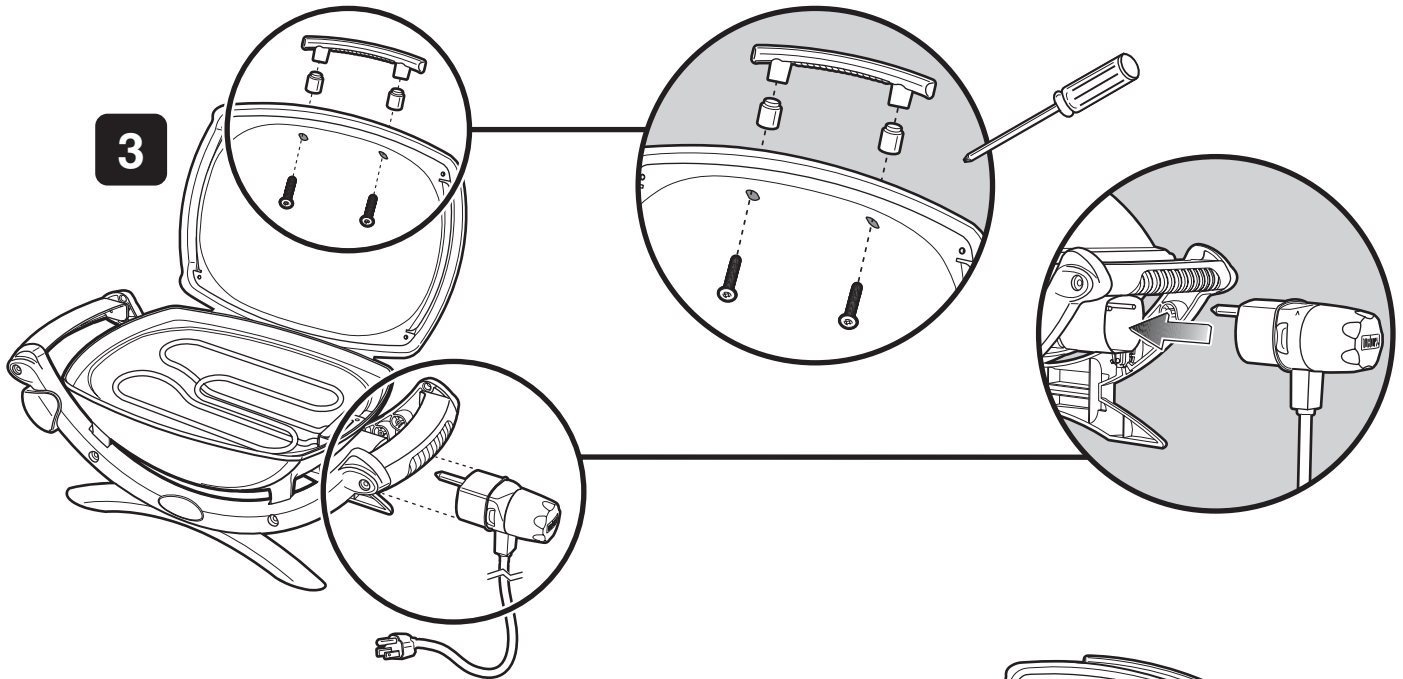
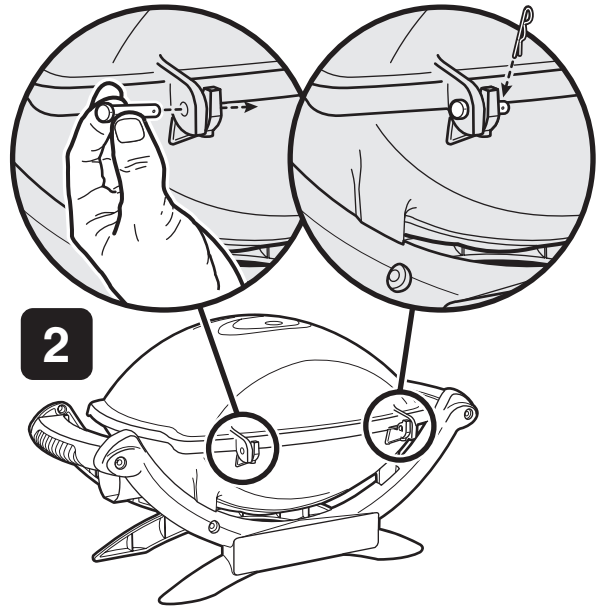
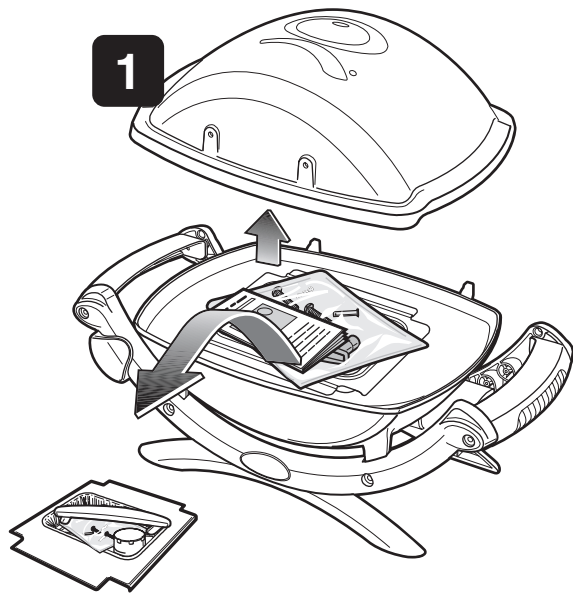
2



2



2



REGISTER YOUR GRILL

Thank you for purchasing a Weber® grill. Take a few minutes to protect your investment by registering your grill online at www.weber.com. Reference the serial number on the front cover of this owner's guide.

If you have questions or need advice regarding your grill or its safe operation contact the Customer Service Representative in your area. Use the contact information on our web site. **Log onto www.weber.com.**

With the Weber® electric barbecue you can grill, barbecue, roast and bake with results that are difficult to duplicate with indoor kitchen appliances. The closed lid produces that "outdoor" flavour in the food. Electricity is easy to use and gives you more cooking control than charcoal fuel.

- These instructions will give you the minimum requirements for assembling your Weber® electric barbecue. Please read the instructions carefully before using your Weber® electric barbecue. Improper assembly can be dangerous.
- Not for use by children.
- This Weber® electric barbecue is not intended for commercial use.
- Do not leave the Weber® electric barbecue unattended when it is in use.
- Any parts sealed by the manufacturer must not be altered by the user.
- Any modification of the appliance may be dangerous.
- Visually inspect cord, plug and Temperature Controller for damage and wear before operation.
- When heating the grill for the first time, it may give off a slight burning odor. The grill is burning off excess lubricants found on the heating element. This does not affect the safety of your grill.
- To prevent fire or electric shock, always use a certified electrician should new circuits or outlets be required.
- Improperly grounded outlets could cause electrical shock.
- The use of an extension cord is not recommended. If you must use an extension cord, use the shortest length extension cord possible. Do not connect 2 or more extension cords together. Keep connections off the ground and dry. Do not let cord hang over edge of table top where it can be tripped over or pulled by children. Only use extension cord labeled for outdoor use.
- Cover grill or store in weather protected area when not in use.
- Clean the grate and cookbox between uses.

STORAGE AND/OR NON-USE

- During periods of non-use, the Temperature Controller with power cord should be in the "OFF" position. Store grill indoors.

OPERATING

- ⚠ **WARNING: Your Weber® electric barbecue must not be used upon any combustible surface such as dry grass, shrubs, etc.**
- ⚠ **WARNING: Your Weber® electric barbecue is not intended for installation in or on recreational vehicles, SUVs and/or boats.**
- ⚠ **WARNING: Do not use the barbecue within 60 cm (24 in) of combustible materials from the back or sides of the grill. Do not use under any combustible construction.**
- ⚠ **WARNING: The entire cooking box gets hot when in use. Do not leave unattended.**
- ⚠ **WARNING: Keep any electrical power cord away from any heated surface.**
- ⚠ **WARNING: Keep the cooking area clear of inflammable vapours and liquids such as petrol, kerosene, alcohol, etc., and other combustible materials.**
- ⚠ **WARNING: When cooking, the appliance must be on a level, stable surface in an area clear of combustible material.**
- ⚠ **WARNING: Keep cord clear of cookbox.**

BEFORE USING THE GRILL

CATCH PAN AND DISPOSABLE DRIP PAN

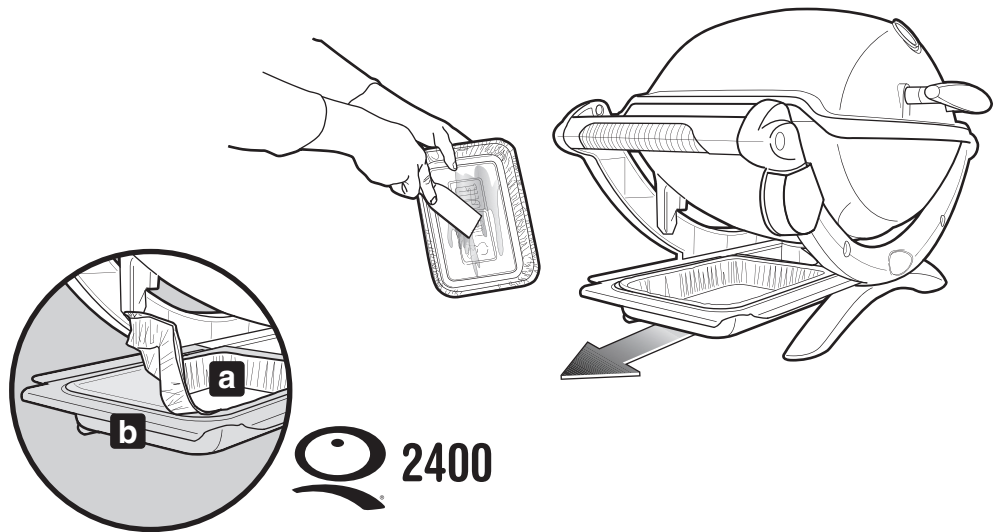
Your grill was built with a grease collection system. Check the catch pan and disposable drip pan for grease build-up each time you use your grill.

Remove excess grease with a plastic spatula; see illustration. When necessary, wash the catch pan and drip pan with a soap and water solution, then rinse with clean water. Replace the disposable drip pan as needed.

⚠ WARNING: Check the catch pan and disposable drip pan for grease build-up before each use. Remove excess grease to avoid a grease fire. A grease fire can cause serious bodily injury or damage to property.

⚠ CAUTION: Do not line the catch pan with aluminum foil.

(Q® 2400) - Make sure that disposable drip pan (a) rests flat on catch pan (b). A bent drip pan may interfere with removal of catch pan.



Q 2400

COOKING ON YOUR ELECTRIC GRILL

**This appliance is Rated for
120 volts - 50/60Hz,
Output: 1500W**

- ⚠ WARNING: Do not move the Weber® electric grill when operating or while the grill is hot.**
- ⚠ WARNING: Completely unwind power cord. Keep cord clear of cookbox.**
- 1) Plug temperature controller into grill.
- ⚠ Always plug temperature controller fully into grill before plugging power cord into outlet.**

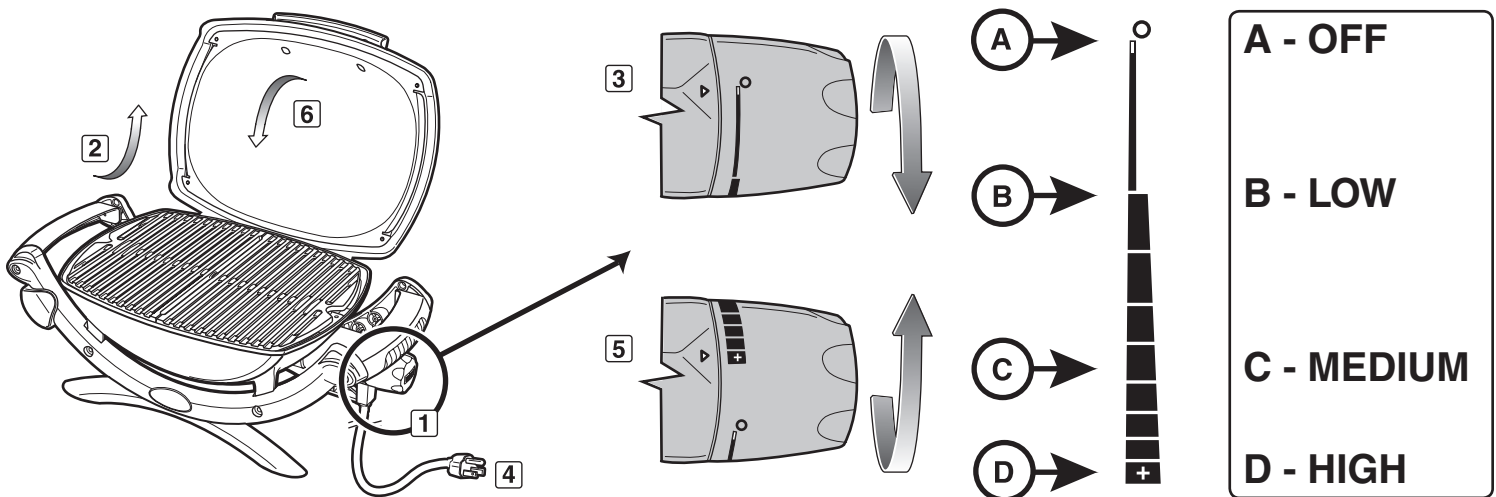
- 2) Open Lid.
- 3) Make sure the temperature controller is turned OFF. (Turn control knob counterclockwise to ensure that it is in the OFF position.)
- 4) Plug in power cord into a protected outlet.
- ⚠ The appliance should be supplied through a grounded GFI outlet, 15 amp minimum.**
- 5) Preheat the grill. Turn control knob to HIGH (clockwise). The red light indicates that power is on and the heating element is heating up. The red light periodically turns on and off as the heating element adjusts to maintain temperature.

- 6) Close lid. Preheat time will take approximately 20 minutes, when grilling in a 72°F air temperature. Colder temperatures and/or wind can cause longer preheating times.

Do not exceed 60 minutes total cooking time.

To cook at a lower grill temperature: Preheat as previously stated. Turn the control knob counterclockwise to desired setting. Start cooking.

- ⚠ WARNING: When red light is off, heating element may still be hot.**



TROUBLESHOOTING

PROBLEM	CHECK	CURE
Electric grill does not turn on.	Is the Temperature Controller properly inserted into housing?	Remove and reinstall Temperature Controller.
	Is red power light on and temperature control knob fully turned clockwise to HIGH?	⚠ Always plug Temperature Controller fully into grill before plugging power cord into outlet.
	Is power available from outlet?	Check electrical power supply.
If problems cannot be corrected by using these methods, please contact the Customer Service Representative in your region using the contact information on our web site. Log onto www.weber.com .		

MAINTENANCE

CLEANING

⚠ WARNING: Turn your Weber® electric barbecue OFF and wait for it to cool before cleaning.

For availability of replacement cooking grate, contact the Customer Service Representative in your area, using the contact information on our web site. **Log onto www.weber.com.**

Temperature controller with power cord - Use a warm soapy water solution and a damp rag. Wipe and completely dry off before using.

⚠ WARNING: To protect against electrical shock, do not immerse any part of this appliance in water or any other liquid.

Outside surfaces and lid - Use a warm soapy water solution to clean, then rinse with water.

⚠ CAUTION: Do not use oven cleaner, abrasive cleansers (kitchen cleansers), cleaners that contain citrus products, or abrasive cleaning pads on the barbecue.

⚠ CAUTION: Do not clean grill with metal scrubbing pads. Pieces can break off from the pad and short electrical parts.

Cooking grate - Clean with a suitable stainless steel bristle brush. As needed, remove from grill and wash with warm soapy water, then rinse with water.

⚠ CAUTION: Grill brushes should be checked for loose bristles and excessive wear on a regular basis. Replace brush if any loose bristles are found on cooking grates or brush. Weber recommends purchasing a new stainless steel grill brush at the beginning of every spring.

Grease catch pan - Check the catch pan for grease build-up each time you use your grill. Remove excess grease with a plastic scraper. Wash the catch pan with warm, soapy water and rinse with water. Disposable Weber® drip pans are available that fit the catch pan.

⚠ WARNING: Check the grease catch pan and the removable bowl liner for grease build-up before each use. Remove excess grease to avoid a fire in the bottom of the grill.

Inside lid - While lid is warm, wipe inside with paper towels to prevent grease build-up. Flaking, built-up grease resembles paint flakes.

Removable bowl liner - Remove excess grease, wash with warm soapy water and then rinse.

Do not use cleaners that contain acid, mineral spirit or xylene. Rinse well after cleaning.

⚠ WARNING: Clean removable bowl liner regularly.

CLEANING REMOVABLE BOWL LINER

⚠ **WARNING:** turn your Weber® electric barbecue OFF and wait for it to cool before cleaning.

⚠ **WARNING:** Avoid grease build up on the grate and inside your grill. Regular cleaning of the grate and the removable bowl liner between uses is necessary to avoid grease build up. Improper maintenance can lead to a grease fire which can cause serious bodily injury or death, and damage to property.

1) Unplug temperature controller power cord. Grasp controller by base behind the control knob (a) and pull to remove (b).

⚠ **CAUTION:** Pulling controller by the knob could cause the knob to come off.

2) Carefully tilt the heating element slightly upwards and slide the removable bowl liner out and away from grill. Scrape the inside of the bowl liner with a plastic scraper to remove excess grease build up.

⚠ **CAUTION:** Do not use oven cleaner, abrasive cleansers (kitchen cleansers), cleaners that contain citrus products, or abrasive cleaning pads on the heating element. Do not use cleaners that contain acid, mineral spirits or xylene.

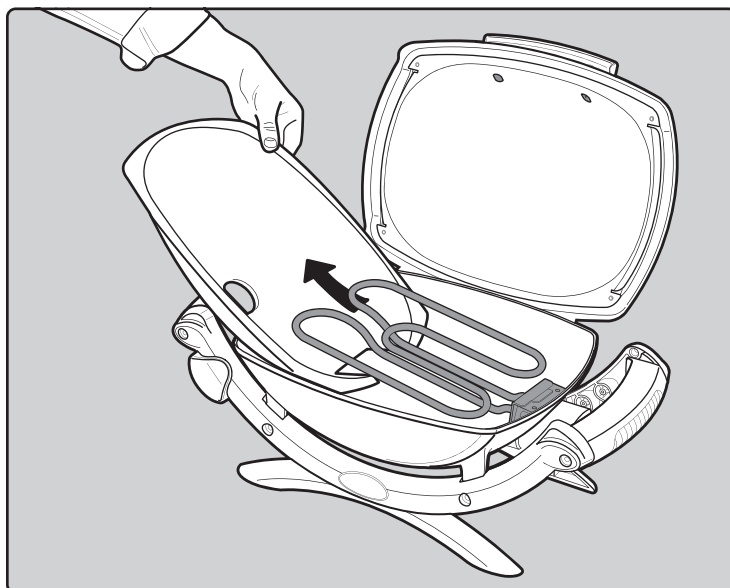
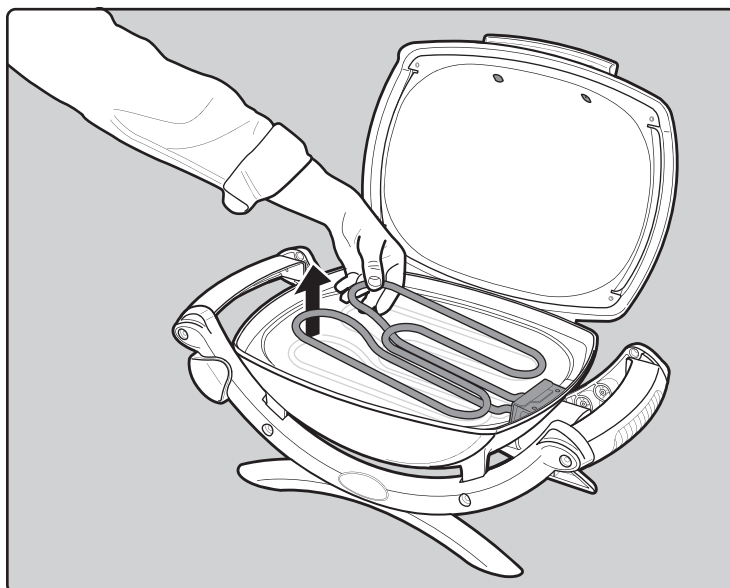
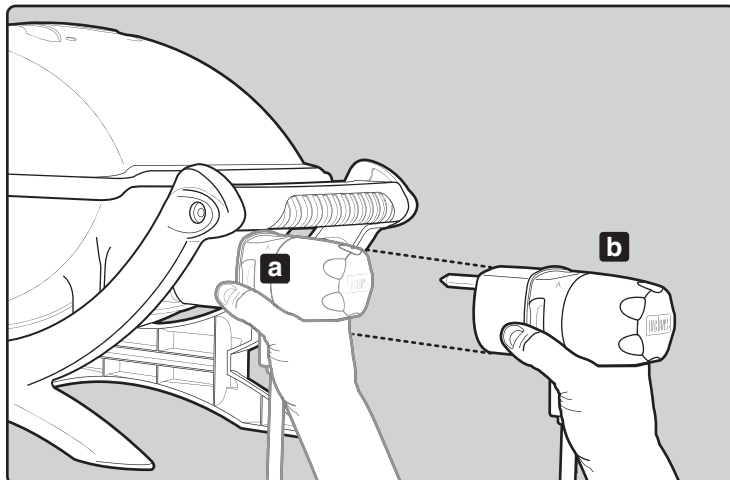
3) Replace removable bowl liner and temperature controller before use.

⚠ **Always plug temperature controller fully into grill before plugging power cord into outlet.**

Excess drippings and grease will accumulate in the grease catch pan. (Disposable foil drip pans are available that fit the grease catch pan).

⚠ **WARNING:** Check the grease catch pan for grease build-up before each use. Remove excess grease to avoid a grease fire in the grease catch pan.

⚠ **Should a grease fire occur, turn off temperature controller and leave lid closed until fire is out.**



⚠ ATTENTION: This product has been safety tested and is only certified for use in a specific country. Refer to country designation located on outer carton.

These parts may be gas carrying or gas burning components. Please contact Weber-Stephen Products LLC, Customer Service Department for genuine Weber-Stephen Products LLC replacement part(s) information.

⚠ WARNING: Do not attempt to make any repair to gas carrying, gas burning, igniter components or structural components without contacting Weber-Stephen Products LLC, Customer Service Department. Your actions, if you fail to follow this Product Warning, may cause a fire, an explosion, or structural failure resulting in serious personal injury or death as well as damage to property.

The Weber® Q® grill includes designs and features originally created by Robert DeMars of Original Ideas, Inc.



WEBER-STEPHEN PRODUCTS LLC
www.weber.com®



1400 2400

MANUAL DEL USUARIO

Lea este Manual de uso antes instalar o usar el producto



¡ADVERTENCIA!
PELIGRO POTENCIAL DE
DESCARGA ELÉCTRICA
PELIGRO

Este asador eléctrico está clasificado para
120 V - 50/60 Hz
Potencia: 1500 W
Use solamente un enchufe con regulación
de temperatura Weber Q140TC.

⚠ El asador eléctrico está diseñado exclusivamente para uso doméstico al aire libre. No la utilice ni dentro de la casa ni para cocción comercial. Con este asador eléctrico no deberá utilizarse ningún tipo de combustible, como por ejemplo briquetas de carbón vegetal.

⚠ El cordón de suministro eléctrico deberá ser revisado regularmente para asegurarse de que no esté dañado; si éste fuese el caso, no deberá utilizarse el asador eléctrico.

MEDIDAS PREVENTIVAS IMPORTANTES

Al utilizar un aparato electrodoméstico, siempre se deberán seguir las precauciones básicas de seguridad incluidas las siguientes:

- ⚠ Lea toda las instrucciones.
- ⚠ PRECAUCIÓN: Los cepillos para parrillas se deben revisar con regularidad para asegurarse de que no tengan cerdas sueltas ni excesivo desgaste. Reemplace el cepillo si se consiguen cerdas sueltas en las parrillas de cocción o en el cepillo en sí. Weber recomienda comprar un nuevo cepillo de acero inoxidable para parrillas al inicio de cada primavera.
- ⚠ PRECAUCIÓN: Para asegurar la protección permanente contra descargas eléctricas, solamente conéctese a tomacorrientes de tres púas a prueba de fallas de tierra correctamente conectados a tierra. No utilice adaptadores de dos púas.
- ⚠ ADVERTENCIA: Use solamente al aire libre, pero no lo exponga a la lluvia. Esto es para evitar una descarga eléctrica que pudiera ocasionar lesiones corporales serias o la muerte.
- ⚠ ADVERTENCIA: Desconecte el asador eléctrico del circuito de suministro eléctrico antes de llevar a cabo cualquier mantenimiento o limpieza.
- ⚠ ADVERTENCIA: Para estar protegido contra riesgos de descarga eléctrica, conéctelo solamente a tomacorrientes debidamente conectados a tierra.
- ⚠ ADVERTENCIA: Para estar protegido contra riesgos de descargas eléctricas, mantenga la extensión eléctrica seca y levantada del suelo.
- ⚠ PRECAUCIÓN: Cuando no esté en uso, almacene el Regulador de Temperatura bajo techo.
- ⚠ No lo coloque sobre o cerca de un quemador caliente eléctrico o de gas, como tampoco dentro del horno.
- ⚠ Tome extremas precauciones al retirar las cenizas o desechar grasa caliente.
- ⚠ No lo limpie con esponjas metálicas. Pedazos pueden desprenderse de la esponja y tocar partes eléctricas, creando un riesgo de descarga eléctrica.
- ⚠ No use carbón vegetal con este asador eléctrico.

- ⚠ No toque las superficies que pudieran estar calientes. Use las asas o perillas provistas.
- ⚠ Como protección contra las descargas eléctricas no sumerja cordones eléctricos, enchufes, artefactos electrodomésticos portátiles (u otra parte o partes específicas) en agua u otro líquido.
- ⚠ Siempre es necesario estar muy pendiente de los niños cuando se use un artefacto electrodoméstico cerca de ellos.
- ⚠ Cuando no se esté usando, antes de colocarlo o retirarlo partes o antes de limpiarlo, asegúrese de que el asador eléctrico electrodoméstico esté APAGADO (posición OFF) y que el enchufe se haya desenchufado del tomacorriente. Deje que se enfríe antes de manipularlo.
- ⚠ No haga funcionar ningún artefacto que tenga un cordón eléctrico o enchufe dañado o después de que el artefacto haya fallado o se haya caído o dañado de cualquier manera. Contacte al Representante de Servicios al Cliente en su área utilizando la información de contacto en nuestro sitio web. Conéctese a www.weber.com.
- ⚠ El uso de accesorios no recomendados por Weber pudiera causar daños o lesiones.
- ⚠ No permita que el cordón eléctrico cuelgue del borde de la mesa o encimera ni toque las superficies calientes.
- ⚠ Donde aplique, siempre conecte el enchufe al asador eléctrico y verifique que el control esté en la posición OFF (apagado) antes de enchufar el cordón eléctrico al tomacorriente. Para desconectar, coloque cualquier control en la posición "OFF" (apagado), y luego desenchufe del tomacorriente.
- ⚠ No use el asador eléctrico para ningún otro uso que no sea para el cual está diseñado.
- ⚠ Evite el contacto con las piezas en movimiento.

CONSERVE ESTAS INSTRUCCIONES



⚠ PELIGRO

El hacer caso omiso a los avisos de Peligros, Advertencias y Precauciones contenidos en este Manual del Usuario pudiera resultar en lesiones corporales serias o la muerte, o en un fuego o explosión que cause daños a la propiedad.

⚠ ADVERTENCIAS

- ⚠ **ADVERTENCIA:** No utilice carbón vegetal u otros combustibles en esta barbacoa. Esta barbacoa no está diseñada para utilizarse con carbón vegetal; el uso del mismo pudiera resultar en un fuego. El fuego pudiera causar una condición insegura y dañar la barbacoa.
- ⚠ Siempre enchufe el Regulador de Temperatura dentro del asador eléctrico antes de enchufar el cordón eléctrico en el enchufe.
- ⚠ No haga funcionar la unidad si el enchufe está dañado.
- ⚠ Sólo haga funcionar el asador eléctrico sobre una superficie estable y a nivel.
- ⚠ De ninguna manera altere este producto o su uso.
- ⚠ Si se utiliza un cable de extensión, éste debe tener una capacidad nominal no menor a la del asador eléctrico. Los cables de extensión deben tener marcados la letra "W" y venir con una etiqueta que diga, "Apto para usarse con artefactos al aire libre".
- ⚠ Utilice el cable de extensión más corto posible. No conecte a 2 o más cables de extensión juntos.
- ⚠ Al limpiar el asador eléctrico, no sumerja la parrilla o el Regulador de Temperatura en agua.
- ⚠ No deje el Regulador de Temperatura en la posición ON (encendida) mientras no se esté usando el asador eléctrico.
- ⚠ No deje el asador eléctrico desatendido mientras esté en uso.
- ⚠ Mantenga a los niños y a las mascotas alejados del asador eléctrico cuando este se este usando.
- ⚠ Los niños chicos deberán estar supervisados para asegurarse de que no jueguen con el asador eléctrico.
- ⚠ El asador eléctrico no está diseñado para ser utilizado por niños chicos o personas enfermas a menos que estén adecuadamente supervisados por una persona responsable para asegurarse de que lo utilicen de manera segura.
- ⚠ Limpie de manera frecuente la bandeja de recolección de grasa.
- ⚠ Coloque el cordón eléctrico alejado de las zonas de tráfico. Coloque el cordón eléctrico de manera que no pueda ser halado o tropezarse con él.
- ⚠ No utilice el asador eléctrico en la cercanía de materiales combustibles como la grama seca, arbustos, etc.
- ⚠ No permita que el asador eléctrico entre contacto con materiales inflamables como el papel, paredes, cortinas, toallas, productos químicos, etc.
- ⚠ No lo use como un calentador.
- ⚠ No mueva el asador eléctrico mientras esté en uso. Permita que el asador eléctrico se enfríe antes de moverlo, limpiarlo o almacenarlo.
- ⚠ No utilice el asador eléctrico mientras esté lloviendo o nevando.
- ⚠ Para prevenir que a el asador eléctrico le salpique o caiga agua, no la utilice a una distancia menor de 10 pies (3 metros) de cualquier cuerpo de agua como una alberca o estanque.
- ⚠ No opere el asador eléctrico con un Regulador de Temperatura que tenga el cordón eléctrico o enchufe dañado. Contáctese al Centro de Servicio de Weber Stephen, S.A. de C.V. El Regulador de Temperatura está fabricado específicamente para este asador eléctrico.
- ⚠ El halar el Regulador de Temperatura por la perilla pudiera ocasionar que ésta se desprenda. Retire el Regulador de Temperatura asíéndolo por el lado (Consulte la sección "MANTENIMIENTO").
- ⚠ No permita que el cordón eléctrico toque el asador eléctrico cuando este caliente.
- ⚠ El asador eléctrico esta diseñado exclusivamente para uso doméstico al aire libre. No la utilice ni dentro de la casa ni para cocción comercial.
- ⚠ Si ocurriese una llamarada, no utilice agua para apagar el fuego. Gire el interruptor a la posición OFF (apagado). Desenchufe el cordón eléctrico y espere a que el asador eléctrico se enfríe.
- ⚠ Asegúrese de que ningún otro equipo de alto voltaje esté enchufado al mismo circuito cuando se esté utilizando el asador eléctrico.
- ⚠ No limpie este producto con agua rociada o algo parecido.
- ⚠ Desenchufe el asador eléctrico cuando no se este usando o y cúbrala cuando ya se haya enfriado. Almacene el asador eléctrico de manera apropiada dentro de casa cuando no se esté usando; asegúrese de que quede fuera del alcance de los niños.
- ⚠ Use el asador eléctrico solamente de la manera como está descrita en este manual. Cualquier otro uso no recomendado en este manual pudiera causar fuegos, descargas eléctricas o lesiones a las personas.
- ⚠ Asegúrese siempre de que el enchufe que se está utilizando tenga la clasificación correcta. Enchufe debe tener una capacidad no menor de 120 V~.
- ⚠ El asador eléctrico cumple con las normas técnicas y los requisitos de seguridad para los dispositivos eléctricos.
- ⚠ La bandeja recolectora de grasa debe estar colocada en su lugar en todo momento durante la operación del asador eléctrico.
- ⚠ No construya este modelo de asador eléctrico en ninguna construcción en la que el asador eléctrico esté incorporado de manera fija o deslizable. El no acatar esta Advertencia pudiera causar un fuego o una explosión que pudiera causar daños a la propiedad y heridas corporales graves o la muerte.

GARANTÍA

Gracias por su compra del producto Weber®. Weber-Stephen Products LLC, 200 East Daniels Road, Palatine, Illinois 60067-6266 ("Weber") se enorgullece en proporcionar un producto seguro, duradero y confiable.

Esta es la garantía voluntaria Weber proporcionada sin costo adicional. Contiene la información que tendrá que tener para que su producto WEBER® se repare en el raro caso de una falla o defecto.

En cumplimiento con las leyes correspondientes, el cliente cuenta con varios derechos en el caso de un producto defectuoso. Esos derechos incluyen el rendimiento o reemplazo adicional, reducción del precio de compra y compensación. Por ejemplo, en la Unión Europea, se trataría de una garantía legal de dos años a partir de la fecha en que se entrega el producto. Estos y otros derechos legales permanecen vigentes por esta cláusula de garantía. De hecho, esta garantía otorga derechos adicionales al Dueño que son independientes de las cláusulas legales de garantía.

GARANTÍA VOLUNTARIA DE WEBER

Weber garantiza, al comprador del producto WEBER® (o en caso de una situación de regalo o promocional, la persona para la cual se compró como regalo o promoción), que el producto WEBER® está libre de defectos en materiales y mano de obra por el/los periodo(s) de tiempo especificados a continuación cuando se arma y opera de acuerdo con Guía del Usuario acompañante. (Nota: Si usted pierde o no encuentra su Guía del Usuario de WEBER®, puede encontrar una de reemplazo en línea en www.weber.com, o en el sitio específico del país que se le pueda asignar al Dueño). Bajo uso y mantenimiento normal en viviendas o departamentos familiares, Weber está de acuerdo dentro del marco de esta garantía en reparar o reemplazar las partes defectuosas dentro de los periodos de tiempo correspondientes, las limitaciones y exclusiones incluidas continuación. HASTA EL GRADO PERMITIDO POR LA LEY CORRESPONDIENTE, ESTA GARANTÍA SE AMPLIA SOLO AL COMPRADOR ORIGINAL Y NO ES TRANSFERIBLE A DUEÑOS POSTERIORES, CON EXCEPCIÓN DEL CASO DE REGALOS Y ARTÍCULOS PROMOCIONALES COMO SE INDICÓ ARRIBA.

RESPONSABILIDADES DEL DUEÑO BAJO ESTA GARANTÍA

Para asegurar una cobertura de garantía sin problemas, es importante (sin embargo no es requisito) que registre su producto WEBER® en línea en www.weber.com, o en el sitio especificado por país que se le pueda indicar al cliente). Conserve también por favor su recibo o factura de compra original. Al registrar su producto WEBER® confirma su cobertura de garantía y proporciona un enlace directo entre usted y Weber en caso de que necesitemos contactarlo.

La garantía anterior solo se aplica si el Dueño toma el cuidado razonable del producto WEBER® siguiendo todas las instrucciones de armado, las instrucciones de uso, y el mantenimiento preventivo, como se describe en la Guía del Usuario anexa, a menos que el Dueño pueda comprobar que el defecto o la falla es independiente de la falta de cumplimiento con las obligaciones mencionadas arriba. Si usted vive en un área costera o tiene su producto ubicado cerca de una piscina, el mantenimiento incluye el lavado y enjuagado regular de las superficies exteriores como se describe en la Guía del Usuario acompañante.

MANEJO DE GARANTÍA / EXCLUSIÓN DE GARANTÍA

Si usted cree que cuenta con una pieza cubierta bajo esta Garantía, contacte por favor al Departamento de Servicio al Cliente de Weber utilizando la información en nuestro sitio (www.weber.com, o la información específica del sitio a donde se le indique al Dueño). Después de una investigación, Weber reparará o reemplazará (a su propia opción) una pieza defectuosa cubierta por esta Garantía. En el caso en que no sea posible una reparación o reemplazo, Weber puede escoger (a su propia opción) reemplazar el asador en cuestión con un nuevo asador de igual o mayor valor. Weber puede pedirle que regrese las piezas para su inspección, los cobros por envío deben ser prepagados.

Esta GARANTÍA se anula si existen daños, deterioros, descoloraciones u óxido por los cuales Weber no sea responsable y que sean ocasionados por:

- abuso, falta de uso, alteración, modificación, mal uso, vandalismo, negligencia, montaje o instalación inadecuada y no realizar el mantenimiento normal y de rutina;
- Insectos (como arañas) y roedores (como ardillas), incluyendo más no limitándose a daños a los tubos del quemador y/o las mangueras de gas;
- Exposición a fuentes de aire con alta concentración de sal o cloro como piscinas y jacuzzies/spas;
- Condiciones ambientales severas como granizo, huracanes, terremotos, tsunamis u oleaje, tornados o fuertes tormentas.

El uso y/o instalación de piezas en su producto WEBER® que no sean piezas genuinas Weber anularán esta Garantía, y cualquier otro daño que resulte de los mismos no está cubierto bajo esta Garantía. Cualquier conversión de un asador de gas no autorizada por Weber y realizada por un técnico de servicio autorizado Weber anulará esta Garantía.

PERIODOS DE GARANTÍA DE PRODUCTO

Caja para cocinar:
5 años, sin que atraviese el óxido/quemaduras
(2 años para la pintura excluyendo el deterioro o descoloración)

Conjunto de la tapa:
5 años, sin que atraviese el óxido/quemaduras
(2 años para la pintura excluyendo el deterioro o descoloración)

Componentes plásticos:
5 años, excluyendo el deterioro o descoloración

Todas las partes restantes:
2 años

DESCARGOS DE RESPONSABILIDADES

ADEMÁS DE LA GARANTÍA Y DESCARGOS DE RESPONSABILIDADES DESCRITOS EN ESTA DECLARACIÓN DE GARANTÍA; NO EXISTEN EXPLÍCITAMENTE GARANTÍAS ADICIONALES O DECLARACIONES VOLUNTARIAS DE RESPONSABILIDAD OTORGADAS POR EL PRESENTE QUE VAN MÁS ALLÁ DE LA RESPONSABILIDAD LEGAL APLICADA A WEBER. LA PRESENTE DECLARACIÓN DE GARANTÍA NO SE LIMITA NI EXCLUYE SITUACIONES O RECLAMOS EN DONDE WEBER CUENTA CON RESPONSABILIDAD OBLIGATORIA COMO LO ESTABLECE LA LEY.

NINGUNA GARANTÍA SE DEBERÁ APLICAR DESPUÉS DE LOS PERIODOS DE TIEMPO CORRESPONDIENTES DE ESTA GARANTÍA. NINGUNA OTRA GARANTÍA OFRECIDA POR CUALQUIER PERSONA, INCLUYENDO UN DISTRIBUIDOR O MINORISTA CON RESPECTO A CUALQUIER PRODUCTO (COMO CUALQUIER "GARANTÍA PROLONGADA"), DEBERÁN VINCULAR A WEBER. EL REMEDIO EXCLUSIVO DE ESTA GARANTÍA ES LA REPARACIÓN O REMPLAZO DE LA PIEZA O PRODUCTO.

BAJO NINGUNA CIRCUNSTANCIA BAJO ESTA GARANTÍA VOLUNTARIA, LA RECUPERACIÓN DE CUALQUIER TIPO DEBERÁ SER MAYOR QUE LA CANTIDAD DEL PRECIO DE COMPRA DEL PRODUCTO WEBER VENDIDO.

USTED ASUME EL RIESGO Y RESPONSABILIDAD POR PÉRDIDA, DAÑO O LESIÓN HACIA USTED Y HACIA SU PROPIEDAD Y/O HACIA OTROS Y SUS PROPIEDADES QUE SE DERIVEN DEL MAL USO O ABUSO DEL PRODUCTO O DEBIDO A LA FALTA DE SEGUIMIENTO DE LAS INSTRUCCIONES PROPORCIONADAS POR WEBER EN LA GUÍA DEL USUARIO ACOMPAÑANTE.

LAS PIEZAS Y ACCESORIOS REMPLAZADOS BAJO ESTA GARANTÍA ESTÁN GARANTIZADOS SOLAMENTE POR EL TIEMPO RESTANTE DEL/DE LOS PERIODO(S) ORIGINAL(ES) DE GARANTÍA.

ESTA GARANTÍA SE APLICA AL USO EN HOGARES O DEPARTAMENTOS FAMILIARES PRIVADOS Y NO SE APLICA CUANDO LOS ASADORES DE GAS WEBER SE USAN EN AMBIENTES COMERCIALES, COMUNITARIOS O DE UNIDADES MÚLTIPLES COMO RESTAURANTES, HOTELES, CENTROS TURÍSTICOS O PROPIEDADES DE RENTA.

WEBER PUEDE DE VEZ EN CUANDO CAMBIAR EL DISEÑO DE SUS PRODUCTOS. NADA INCLUIDO EN ESTA GARANTÍA DEBERÁ INTERPRETARSE COMO UNA OBLIGACIÓN DE WEBER DE INCORPORAR DICHOS CAMBIOS DE DISEÑO EN LOS PRODUCTOS FABRICADOS ANTERIORMENTE, NI TAMPOCO DICHOS CAMBIOS DEBERÁN INTERPRETARSE COMO UNA ADMISIÓN DE QUE LOS DISEÑOS PREVIOS ESTABAN DEFECTUOSOS.

WEBER-STEPHEN PRODUCTS LLC

Centro de Servicio al Cliente
2900 Golf Road
Rolling Meadows, IL 60008
EE.UU.

Para piezas de repuesto, llame al:
1-800-446-1071

Para compras hechas en México:
Weber-Stephen Products S.A. de C.V.
Calle José Guadalupe Zuno #2302 P.H.
Col. Americana, Guadalajara, Jalisco C.P. 44160 Mexico
RFC- WPR030919ND4

Para partes de repuesto llame a:
01800-00-Weber [93237] Ext. 105

Las barbacoas que se ilustran en este Manual del Propietario pueden variar ligeramente con respecto al modelo comprado.

REGISTRAR SU ASADOR

Gracias por su compra del asador Weber®. Tómese unos minutos para proteger su inversión. Registre su asador ingresando a www.weber.com. Refiérase al número de serie que se encuentra en la cubierta de esta guía del propietario.

Si tuviese cualquier pregunta o necesita algún consejo respecto a la barbacoa o la operación segura de ésta, póngase en contacto con el Representante de Atención al Cliente en su zona. Utilice la información de contacto en nuestro sitio web. **Conéctese a www.weber.com.**

Con el asador eléctrico Weber® usted puede asar de manera convencional, a la barbacoa y al horno con unos resultados que son difíciles de duplicar con los artefactos de cocina de la casa. La tapa cerrada es la que produce ese sabor a "aire libre" en la comida. La electricidad es fácil de usar y le da a usted más control al cocinar que el combustible de carbón.

- Estas instrucciones le indicarán los requisitos mínimos para ensamblar el asador eléctrico Weber®. Por favor lea cuidadosamente las instrucciones antes de utilizar el asador eléctrico Weber®. Un ensamblaje incorrecto puede ser peligroso.
- No debe ser usada por niños.
- El asador eléctrico Weber® no está diseñada para uso comercial.
- No deje el asador eléctrico Weber® desatendido mientras se esté utilizando.
- Ninguna parte sellada por el fabricante debe ser alterada por el usuario.
- Cualquier modificación al asador eléctrico puede ser peligroso.
- Antes de la operación, inspeccione visualmente el cordón eléctrico, el enchufe y el Regulador de Temperatura para asegurarse de que no estén dañados o desgastados
- Al calentar el asador eléctrico por primera vez, pudiera desprenderse un leve olor a quemado. Lo que sucede es que la parrilla está quemando lubricantes en exceso que se encuentran en su elemento calentador. Esto no afecta la seguridad del asador eléctrico.
- Para prevenir un fuego o descarga eléctrica, deberá utilizarse siempre un electricista certificado si deben colocarse circuitos o enchufes nuevos.
- Los enchufes incorrectamente conectados a tierra pudieran causar descargas eléctricas.
- No se recomienda el uso de un cable de extensión. Si tiene que usar un cable de tensión, use uno con la menor longitud posible. No conecte a 2 o más cables de extensión juntos. Mantenga las conexiones secas y levantadas del piso. No permita que el cordón cuelgue del borde de una encimera de manera que se pueda tropezar con él o ser halado por los niños. Use solamente cables extensión con etiquetas que indiquen que pueden usarse a la intemperie.
- Cuando no se esté utilizando, tape el asador eléctrico o almacénelo en un sitio protegido contra las inclemencias del tiempo.
- Entre usos, limpie las rejillas y la caja de cocción.

ALMACENAMIENTO Y/O SIN USARSE

- Durante periodos en que nos esté usando, el Regulador de Temperatura con el cordón de suministro eléctrico deberá estar colocado en la posición "OFF" (apagado). Almacene el asador eléctrico bajo techo.

OPERACIÓN

- ⚠ **ADVERTENCIA:** El asador eléctrico Weber® no deberá utilizarse sobre superficies combustibles tales como grama seca, arbustos, etc.
- ⚠ **ADVERTENCIA:** El asador eléctrico Weber® no ha sido diseñado para instalarse en o sobre vehículos o botes recreativos.
- ⚠ **ADVERTENCIA:** No utilice el asador eléctrico con la parte posterior o lateral de la misma a menos de 60 centímetros (24 pulgadas) de distancia de materiales combustibles. No la utilice debajo de ninguna construcción combustible.
- ⚠ **ADVERTENCIA:** La caja de cocción entera se calienta al usarse. No la deje desatendida.
- ⚠ **ADVERTENCIA:** Mantenga todo cable eléctrico alejado de cualquier superficie caliente.
- ⚠ **ADVERTENCIA:** Mantenga el área de cocinar libre de vapores y líquidos inflamables tales como gasolina, alcohol, etc. y de otros materiales combustibles.
- ⚠ **ADVERTENCIA:** Cuando se esté cocinando, el aparato deberá estar sobre una superficie nivelada y estable en un área libre de materiales combustibles.
- ⚠ **ADVERTENCIA:** Mantenga el cordón eléctrico alejado de la caja de cocción.

ANTES DE UTILIZAR LA BARBACOA

PLATO RECOLECTOR Y BANDEJA DE GOTEO DESECHABLE

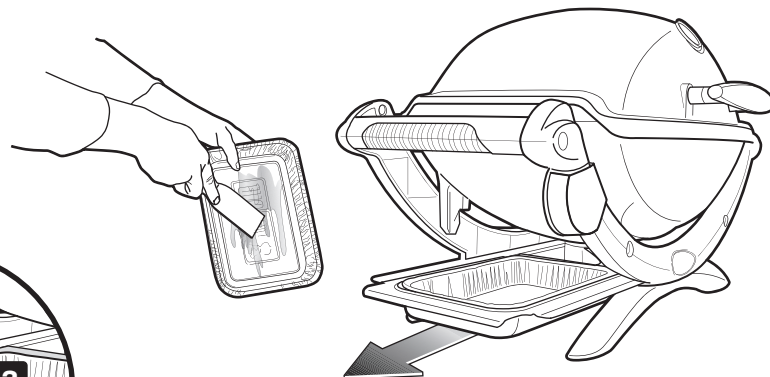
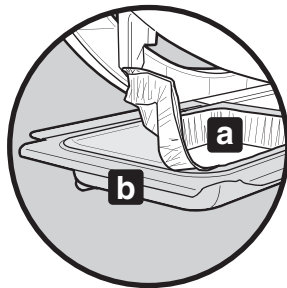
La barbacoa ha sido construida con un sistema de recogida de la grasa. Cada vez que utilice la barbacoa, revise si hay acumulación de grasa en el plato recolector y la bandeja de goteo desechable.

Retire el exceso de grasa con una espátula; vea la ilustración. Cuando sea necesario, lave el plato recolector y la bandeja de goteo desechable con una solución de agua y jabón, y luego enjuáguelos con agua clara. Reemplace la bandeja de goteo desechable si se requiere hacerlo.

⚠ ADVERTENCIA: Previo a cada uso, revise si hay acumulación de grasa en el plato recolector y la bandeja de goteo desechable. Elimine cualquier exceso de grasa para evitar un incendio de grasa. Un incendio de grasa puede causar lesiones corporales graves o daños materiales.

⚠ PRECAUCIÓN: No forre el plato recolector con papel aluminio.

(Q® 2400) - Asegúrese de que la bandeja de goteo desechable (a) quede plana dentro del plato recolector (b). Una bandeja de goteo doblada puede interferir con el retiro del plato recolector.



CÓMO COCINAR CON LA BARBACOA ELÉCTRICA

La especificación eléctrica nominal de este asador eléctrico es de:
120 V - 50/60 Hz
Potencia: 1500 W

⚠ ADVERTENCIA: No mueva el asador eléctrico Weber® mientras ésta esté en operación o esté caliente.

⚠ ADVERTENCIA: Desenrolle completamente el cordón eléctrico. Mantenga el cordón eléctrico alejado de la caja de cocción.

1) Enchufe el regulador de temperatura asador eléctrico.

⚠ Siempre enchufe el regulador de temperatura completamente dentro del asador eléctrico antes de enchufar el cordón eléctrico en el tomacorriente.

2) Abra la tapa.
 3) Asegúrese de que el regulador de temperatura esté APAGADO (OFF). (Gire la perilla de control en dirección contraria a las agujas del reloj para asegurarse de que esté en la posición "OFF" (apagado).

4) Enchufe el cordón eléctrico en un tomacorriente protegido.

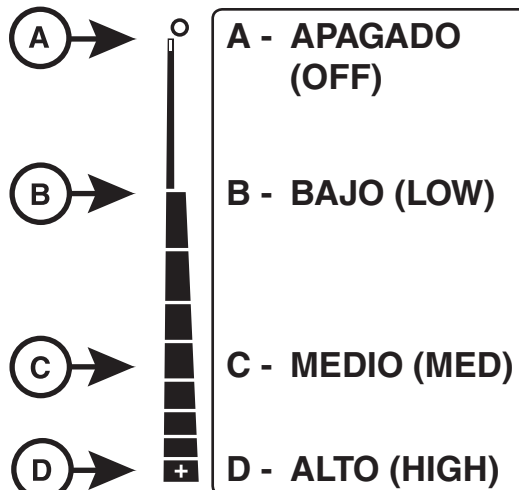
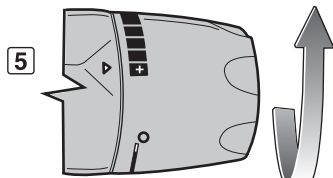
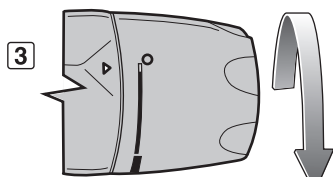
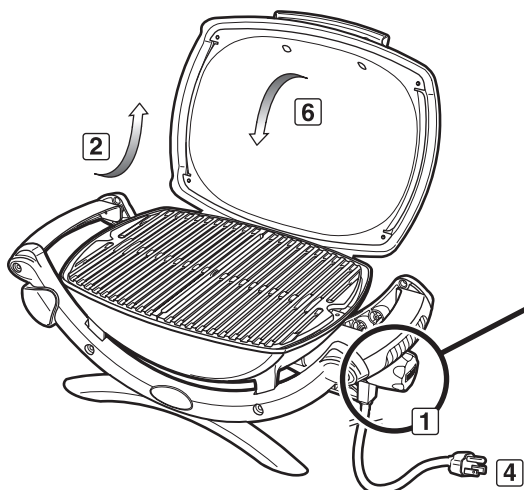
⚠ El suministro eléctrico al asador eléctrico deberá provenir de un tomacorriente del tipo GFI (interruptor accionado por pérdida de conexión a tierra) conectado a tierra, de por lo menos 15 amperes.

5) Precaliente el asador eléctrico. Gire la perilla de control en dirección de las agujas del reloj a la posición HIGH (fuego alto). La luz roja indica que el artefacto está encendido y que el elemento calentador se está calentando. La luz roja se enciende y apaga periódicamente a medida que el elemento de calentamiento se ajusta para mantener la temperatura.
 6) Abra la tapa. El tiempo de precalentamiento es de alrededor de 20 minutos; cuando se está asando a una temperatura del aire de 72 °F [23,8 °C]. Temperaturas más frías o el viento pudieran hacer que se requieran tiempos de precalentamiento mayores.

No se sobrepase de un tiempo total de cocción de más de 60 minutos.

Para cocinar a una temperatura más baja: Precaliente como se indicó anteriormente. Gire la perilla de control en dirección contraria a las agujas del reloj hasta el ajuste deseado. Comience a cocinar

⚠ ADVERTENCIA: Aunque la luz roja esté apagada, el elemento calentador pudiera estar aún caliente.



RESOLUCIÓN DE PROBLEMAS

PROBLEMA	REVISAR	REMEDIO
El asador eléctrico no se enciende.	¿Está el Regulador de Temperatura debidamente insertado dentro de su carcasa?	Saque y vuelva a instalar el Regulador de Temperatura. ⚠ Siempre enchufe el Regulador de Temperatura completamente dentro del asador eléctrico antes de enchufar el cordón eléctrico en el tomacorriente.
	¿Está encendida la luz roja y la perilla del control de temperatura totalmente girada en dirección de las agujas del reloj a la posición HIGH?	
	¿Hay corriente eléctrica en el tomacorriente?	Revise el servicio eléctrico. Revise si el interruptor de protección a tierra se ha disparado.
Si los problemas no pueden corregirse usando cualquiera de estos métodos, sírvase contactar al Representante de Atención al Cliente en su área usando la información de contacto en nuestro sitio web. Conéctese a www.weber.com.		

MANTENIMIENTO

LIMPIEZA

⚠ ADVERTENCIA: Apague el asador eléctrico eléctrica Weber® y espere a que se enfríe antes de limpiarla.

Para la disponibilidad de parrillas de cocción de reemplazo contacte al Representante de Servicio a los Clientes en su área usando la información de contacto en nuestro sitio en la Internet. **Conéctese a www.weber.com.**

Regulador de Temperatura con cordón eléctrico - Utilice una solución de agua jabonosa tibia y un trapo húmedo. Pase el trapo y seque el asador eléctrico completamente antes de usarlo.

⚠ ADVERTENCIA: Para protegerse contra descargas eléctricas, no sumerja ninguna parte de este asador eléctrico agua o cualquier otro líquido.

Superficies externas - Utilice una solución de agua jabonosa tibia para limpiarlas y luego enjuáguelas con agua.

⚠ PRECAUCIÓN: Sobre la superficie del asador eléctrico no utilice limpiadores de hornos, limpiadores abrasivos (limpiadores de cocinas), limpiadores que contengan productos cítricos, o almohadillas de limpieza abrasivas.

⚠ PRECAUCIÓN: No la limpie con esponjas metálicas. Piezas de la almohadilla pueden romperse y causar un cortocircuito con las partes eléctricas.

Parrilla de cocción - Límpielas con un cepillo de cerdas de acero inoxidable adecuado. Según se requiera, retírela de la barbacoa y lávela con agua jabonosa tibia y luego enjuáguela con agua.

⚠ PRECAUCIÓN: Los cepillos para parrillas se deben revisar con regularidad para asegurarse de que no tengan cerdas sueltas ni excesivo desgaste. Reemplace el cepillo si se consiguen cerdas sueltas en las parrillas de cocción o en el cepillo en sí. Weber recomienda comprar un nuevo cepillo de acero inoxidable para parrillas al inicio de cada primavera.

Plato recolector - Compruebe que no haya acumulación de grasa en la bandeja recogedora de aluminio siempre que utilice la barbacoa. Elimine el exceso de grasa con un raspador de plástico. Lave la bandeja recogedora de aluminio con agua jabonosa caliente y aclare con agua. Hay bandejas recogedoras de gotas de aluminio desechables que se adaptan a la bandeja recogedora.

⚠ ADVERTENCIA: Antes de cada uso, verifique que no haya grasa acumulada en el plato recolector y en el forro de quita y pon del tazón. Retire el exceso de grasa para evitar que se incendie el fondo del asador eléctrico.

Tapa interna - Mientras la tapa esté tibia, limpie la parte interna con una toalla de papel para prevenir la acumulación de grasa. La grasa acumulada escamada se asemeja a las escamas de pintura.

Forro de quita y pon del tazón - Retire el exceso de grasa, lávelo con agua jabonosa tibia y luego enjuáguelo.

No utilice limpiadores que contengan ácido, destilado de petróleo o xileno. Enjuague bien después de lavar.

⚠ Limpie frecuentemente el forro de quita y pon del tazón.

LIMPIEZA DEL FORRO DE QUITA Y PON DEL TAZÓN

⚠ **ADVERTENCIA:** apague el asador eléctrico Weber® y espere a que se enfríe antes de limpiarlo.

⚠ **ADVERTENCIA:** Evite la acumulación de grasa sobre la parrilla y la parte interna de la caja de cocción. Es necesaria la limpieza frecuente de la parrilla y del forro de quita y pon del tazón para evitar la acumulación de grasa. El mantenimiento inapropiado puede conducir a un incendio de grasa, el cual puede causar lesiones corporales serias o la muerte, o daños a la propiedad.

1) Desenchufe el cordón eléctrico del regulador de temperatura. Agarre el regulador por su base detrás de la perilla del control (a) y hálelo para sacarlo (b).

⚠ **PRECAUCIÓN:** El jalar el regulador por la perilla pudiera ocasionar que ésta se desprenda.

2) Con cuidado incline el elemento calentador ligeramente hacia arriba y deslice el forro de quita y pon del tazón hacia afuera del asador eléctrico. Raspe la parte interna del tazón con una rasqueta plástica para eliminar el exceso de grasa acumulada.

⚠ **PRECAUCIÓN:** Sobre el elemento calentador no utilice limpiadores de hornos, limpiadores abrasivos (limpiadores de cocinas), limpiadores que contengan productos cítricos, o almohadillas de limpieza abrasivas. No utilice limpiadores que contengan ácido, destilado de petróleo o xileno.

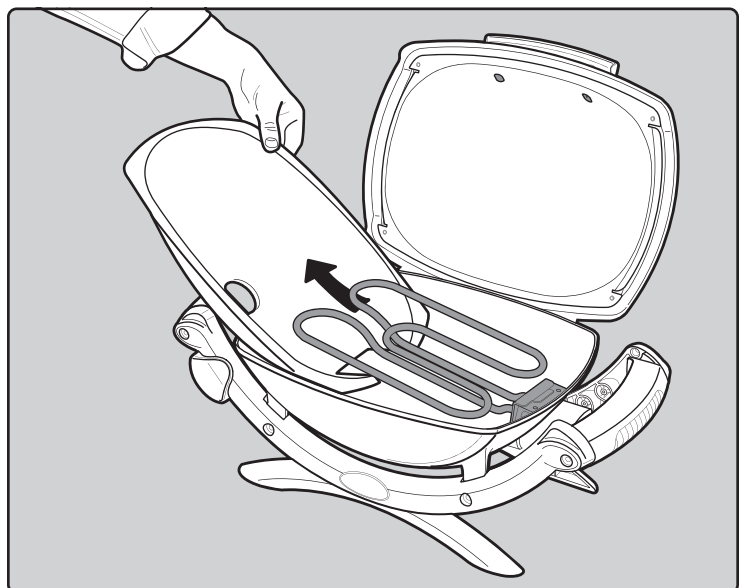
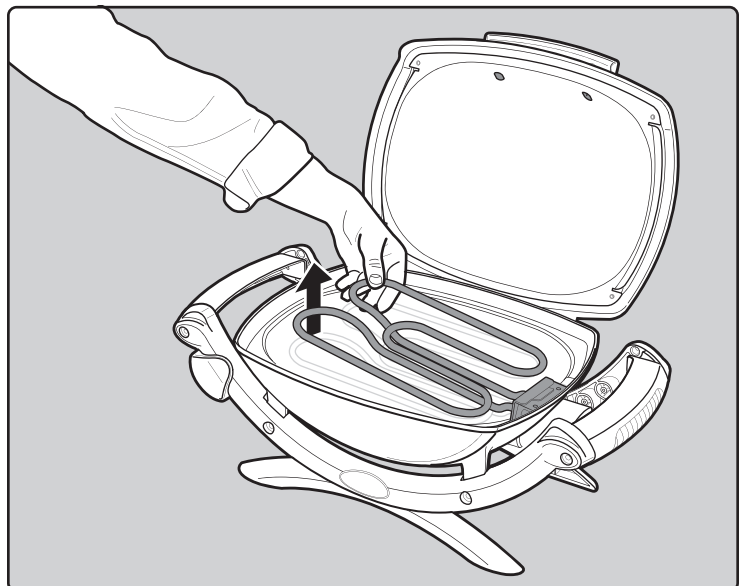
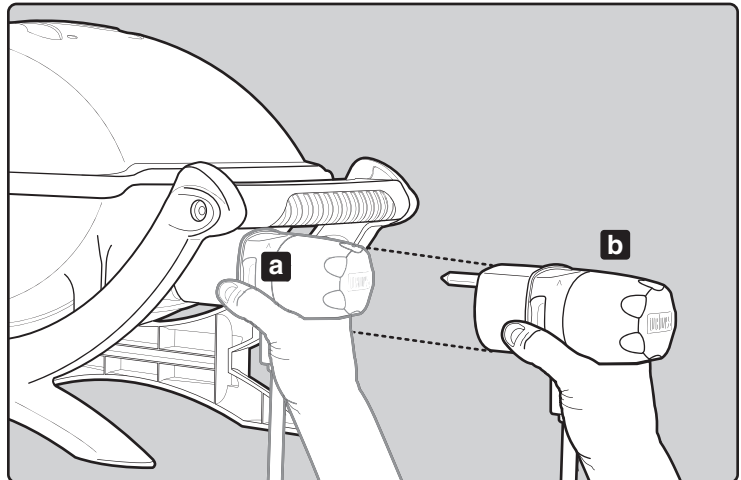
3) Vuelva a colocar en su sitio el forro de quita y pon del tazón y el Regulador de Temperatura antes de volver a utilizar el asador eléctrico.

⚠ **Siempre enchufe el regulador de temperatura completamente dentro del asador eléctrico antes de enchufar el cordón eléctrico en el tomacorriente.**

En el plato recolector de grasa se acumulará el exceso de coque y grasa. (Hay disponibles bandejas de goteo desechables que caben en el plato recolector).

⚠ **ADVERTENCIA:** Antes de cada uso, verifique que no haya grasa acumulada en la bandeja de goteo. Retire el exceso de grasa para evitar que se incendie el plato recolector.

⚠ **Si la grasa llegase a agarrar fuego, apague el regulador de temperatura y mantenga la tapa cerrada hasta que se haya apagado el fuego.**



⚠ ATENCIÓN: A este producto se le han realizado pruebas de seguridad y ha sido certificado para usarse en un país específico. Refiérase al país indicado en la parte externa del cartón de empaque.

Estas partes pueden ser componentes que transporten gas o lo quemén. Por favor póngase en contacto con el Departamento de Atención al Cliente de Weber-Stephen Products LLC para obtener información sobre las partes de repuesto Weber-Stephen Products LLC genuinas.

⚠ ADVERTENCIA: No trate de realizar reparación alguna a los componentes que transporten o quemén gas sin antes ponerse en contacto con el Departamento de Atención al Cliente de Weber-Stephen Products LLC. Si no llegase a acatar esta advertencia, sus acciones podrían causar un fuego o una explosión que resulte en lesiones personales serias o la muerte o daños a la propiedad.

La barbacoa The Weber® Q® incluye diseños y elementos originalmente creados por Robert DeMars de Original Ideas, Inc.



WEBER-STEPHEN PRODUCTS LLC
www.weber.com®

MANUEL UTILISATEUR DU GRILL ELECTRIQUE

Vous devez lire ce manuel utilisateur avant d'utiliser votre grill électrique



AVERTISSEMENT !
RISQUE POTENTIEL
D'ELECTROCUTION

Cet appareil est conçu pour fonctionner sur un courant de type 120 volts - 50/60 Hz

Puissance: 1500 W

N'utilisez qu'une prise de contrôle de température de type Weber Q140TC.

⚠ Ce grill a été exclusivement conçu pour être utilisé en extérieur. Ne l'utilisez pas en intérieur ou à des fins commerciales. Le barbecue électrique n'est pas conçu pour être alimenté aux briquettes de charbon de bois.

⚠ Le cordon d'alimentation doit faire l'objet d'inspections régulières afin de vérifier s'il présente des dommages et il est impératif de ne pas utiliser l'appareil si le cordon est endommagé.

CONSIGNES DE SECURITE

Lorsque vous utilisez des appareils électriques, les précautions de sécurité élémentaires devraient toujours être respectées, notamment la précaution suivante :

- ⚠ Lisez toutes les instructions.
- ⚠ **ATTENTION:** Les brosses du grill devraient être vérifiées régulièrement afin de détecter toute usure excessive. Remplacez la brosse si vous trouvez des brins métalliques sur la grille de cuisson ou sur la brosse. Weber recommande d'acheter une brosse neuve pour le nettoyage de la grille en acier inoxydable au début de chaque printemps.
- ⚠ **ATTENTION:** Afin de garantir une protection permanente contre les décharges électriques, branchez l'appareil à une prise à trois broches correctement mises à la terre. N'utilisez pas de connecteur à deux broches.
- ⚠ **AVERTISSEMENT:** N'utilisez qu'en extérieur, évitez de l'exposer à la pluie afin d'éviter toute décharge électrique susceptible de provoquer des blessures corporelles ou la mort.
- ⚠ **AVERTISSEMENT:** Débranchez l'appareil du circuit d'alimentation électrique avant de procéder à son entretien ou nettoyage.
- ⚠ **AVERTISSEMENT:** Afin d'éviter toute décharge électrique, ne branchez l'appareil qu'à des prises mises à la terre.
- ⚠ **AVERTISSEMENT:** Afin d'éviter toute décharge électrique, veillez à ce que la rallonge reste sèche et soit placée au-dessus du sol.
- ⚠ **ATTENTION:** Rangez le contrôleur de température en intérieur si vous ne l'utilisez pas.
- ⚠ Ne pas placer sur ou à proximité d'un brûleur à gaz chaud ou d'un brûleur électrique, ou à l'intérieur d'un four chaud.
- ⚠ Soyez extrêmement prudent lorsque vous retirez le bac ou jetez la graisse chaude.
- ⚠ Evitez d'utiliser des grattoirs métalliques pour le nettoyage. Les poils de la brosse peuvent se casser et entrer en contact avec les composants électriques et provoquer des décharges électriques.
- ⚠ N'utilisez pas de charbon de bois avec cet appareil.

- ⚠ Ne touchez les surfaces susceptibles d'être brûlantes. Utilisez les poignées ou les boutons fournis.
- ⚠ Afin d'éviter toute décharge électrique, ne plongez pas le cordon, les prises, les appareils portables (ou toute autre pièce spécifique) dans l'eau ou un autre liquide.
- ⚠ Une surveillance stricte est nécessaire lorsque l'appareil est utilisé par des enfants ou à proximité.
- ⚠ Assurez-vous que l'appareil est éteint et débranchez-le si vous ne l'utilisez pas, avant d'installer des pièces ou d'en retirer et avant de procéder au nettoyage. Laissez-le refroidir avant de le manipuler.
- ⚠ Ne mettez pas en route l'appareil si le cordon ou la prise est endommagé ou si l'appareil présente des dysfonctionnements ou s'il est renversé ou endommagé. Contactez l'agent du service client le plus proche aux coordonnées de contact figurant sur notre site Web. Allez sur www.weber.com.
- ⚠ L'utilisation d'accessoires non recommandés par Weber peut provoquer des dommages matériels ou des blessures.
- ⚠ Ne laissez pas le cordon pendre du rebord de la table ou du comptoir et ne touchez pas les surfaces brûlantes.
- ⚠ Fixez toujours une prise à l'appareil et vérifiez que le bouton soit réglé sur OFF avant de brancher le cordon à la prise murale. Pour mettre hors tension, réglez le bouton sur OFF, puis retirez la fiche de la prise murale.
- ⚠ N'utilisez pas l'appareil à d'autres fins que celles pour lesquelles il a été conçu.
- ⚠ Evitez de toucher les parties en mouvement.

VEUILLEZ CONSERVER
CES INSTRUCTIONS



⚠ DANGER

Le non-respect des consignes figurant dans les intitulés Danger, Avertissement et Attention du manuel utilisateur risque de provoquer des blessures corporelles ou la mort, un incendie ou une explosion entraînant des dommages matériels.

⚠ AVERTISSEMENTS

- ⚠ **AVERTISSEMENT:** n'utilisez pas de charbon de bois ou tout autre carburant inflammable dans ce grill. Cet appareil n'est pas conçu pour être alimenté au charbon de bois afin d'éviter toute explosion. Le feu pourrait entraîner un risque et endommager le grill.
- ⚠ Branchez toujours le contrôleur de température au grill avant de brancher le cordon à la prise murale.
- ⚠ Ne mettez pas l'appareil en marche si la prise secteur est cassée.
- ⚠ Mettez le grill en route sur une surface stable et plate.
- ⚠ N'altérez en aucun cas le produit ou son usage.
- ⚠ Si vous utilisez une rallonge, il doit posséder des caractéristiques au moins équivalentes à celle de l'appareil. Les rallonges doivent porter la lettre "W" et une étiquette accompagnée de la mention suivante, "Convient aux appareils à usage en extérieur".
- ⚠ Utilisez la rallonge la plus courte possible. Ne branchez pas plus de deux rallonges.
- ⚠ Ne plongez pas le grill ou le contrôleur de température dans l'eau lors du nettoyage.
- ⚠ Ne laissez pas le contrôleur de température allumé si vous ne l'utilisez pas.
- ⚠ Gardez toujours un œil attentif sur le grill lorsqu'il est utilisé.
- ⚠ Maintenez les enfants et les animaux domestiques à l'écart du grill.
- ⚠ Surveillez les enfants afin de vous assurer qu'ils ne jouent pas avec l'appareil.
- ⚠ Cet appareil ne doit en aucun cas être utilisé par des enfants en bas âge ou des personnes souffrant de handicap mental à moins qu'ils ne soient placés sous la surveillance d'une personne responsable de manière à s'assurer qu'ils utilisent l'appareil en toute sécurité.
- ⚠ Nettoyez le bac à graisse régulièrement.
- ⚠ Placez le cordon d'alimentation hors des zones de passage. Placez-le de manière à éviter que quelqu'un ne trébuche ou ne tire dessus.
- ⚠ N'utilisez pas le grill à proximité de matériaux inflammables tels que le gazon sec, les arbustes, etc.
- ⚠ Veillez à éviter que le grill entre en contact avec des matériaux inflammables tels que le papier, les murs, le linge de maison, les serviettes, les produits chimiques, etc.
- ⚠ Ne l'utilisez pas comme radiateur.
- ⚠ Ne déplacez pas le grill s'il est en marche. Laissez-le refroidir avant de le déplacer, le nettoyer ou le ranger.
- ⚠ N'utilisez pas le grill s'il pleut ou s'il neige.
- ⚠ Afin d'éviter que le grill ne soit éclaboussé d'eau ou qu'il ne tombe dedans, ne l'utilisez pas à moins de 10 pieds (3 m) d'un espace d'eau tel qu'un bassin ou une piscine.
- ⚠ N'utilisez pas le grill si la prise ou le cordon du contrôleur de température est endommagé. Appelez Weber pour demander un contrôleur de rechange. Celui-ci est spécialement conçu pour ce grill.
- ⚠ Evitez de tirer le bouton pour démonter le contrôleur de température. Retirez le Régulateur de température en le saisissant par son côté (Voir "MAINTENANCE").
- ⚠ Veillez à ce que le cordon ne touche pas le grill s'il est chaud.
- ⚠ Ce grill est conçu pour être utilisé en extérieur. Ne l'utilisez pas en intérieur ou à des fins commerciales.
- ⚠ En cas d'étincelles, n'essayez pas d'éteindre le feu avec de l'eau. Eteignez le grill. Débranchez le cordon et laissez le grill refroidir.
- ⚠ Veillez à ce qu'aucun autre appareil à haute consommation en watts ne soit branché dans le même circuit lorsque vous utilisez le grill.
- ⚠ Ne le nettoyez pas à l'aide d'un pulvérisateur d'eau.
- ⚠ Débranchez le grill si vous ne l'utilisez pas et bâchez-le une fois froid. Rangez l'appareil à l'intérieur hors de portée des enfants.
- ⚠ Utilisez ce grill conformément aux instructions du manuel. Toute autre utilisation non recommandée dans ce manuel risque de provoquer un incendie, une décharge électrique et des blessures.
- ⚠ Veillez à vous assurer que la prise électrique utilisée possède les bonnes caractéristiques. Elle doit être conçue pour le courant 120 V Ca.
- ⚠ Cet appareil est conforme aux normes techniques et aux exigences de sécurité pour les appareils électriques.
- ⚠ Le bac à graisse doit être installé en permanence pendant l'utilisation du grill.
- ⚠ N'insérez pas ce modèle de grill dans une construction intégrée ou coulissante. Le non-respect de cette mise en garde pourrait provoquer une décharge électrique ou une explosion susceptible d'entraîner des dommages matériels ou des blessures corporelles.

Merci d'avoir acheté un produit Weber®. Weber-Stephen Products LLC, 200 East Daniels Road, Palatine, Illinois 60067-6266 ("Weber") sont fiers d'offrir un produit sécuritaire, durable et fiable.

Celle-ci est la garantie volontaire de Weber qui vous est fournie sans frais supplémentaires. Elle contient les informations que vous aurez besoin d'avoir pour faire réparer le produit WEBER® dans le cas improbable d'une panne ou de défaillance.

Conformément aux lois applicables, le client dispose de plusieurs droits au cas où le produit serait défectueux. Ces droits comprennent le rendement supplémentaire ou le remplacement, la réduction du prix d'achat et une rémunération. Dans l'Union européenne, par exemple, ce serait une garantie légale de deux ans à compter de la date de la remise du produit. Ces droits légaux et d'autres ne sont pas affectés par cette disposition de la garantie. En fait, cette garantie accorde des droits supplémentaires au propriétaire qui sont indépendants des dispositions légales de la garantie.

GARANTIE LÉGALE DE WEBER

Weber fournit à l'acheteur original du produit WEBER® (ou dans le cas d'un cadeau ou d'une situation promotionnel, la personne pour laquelle il a été acheté comme cadeau ou article promotionnel), que le produit WEBER® est exempt de défauts de matériaux et de fabrication pour la ou les périodes de temps spécifiées ci-dessous lorsqu'il est assemblé et utilisé conformément au Guide du propriétaire qui l'accompagne. [Remarque : Si vous perdez ou égarez votre Guide du propriétaire WEBER®, un remplacement est disponible en ligne à www.weber.com ou le site spécifique au pays auquel le propriétaire peut être redirigé.] Lorsque l'appareil est utilisé et entretenu de façon normale dans une maison privée unifamiliale ou un appartement, Weber s'engage à réparer ou remplacer les pièces défectueuses dans les délais, limitations et exclusions applicables énumérées ci-dessous. SELON CE QUI EST PERMIS PAR LA LOI APPLICABLE, CETTE GARANTIE S'APPLIQUE UNIQUEMENT À L'ACHETEUR ORIGINAL ET N'EST PAS TRANSFÉRABLE À DES PROPRIÉTAIRES ULTÉRIEURS, SAUF DANS LE CAS DE CADEAUX ET D'ARTICLES PROMOTIONNELS COMME INDIQUÉ PLUS HAUT.

RESPONSABILITÉS DU PROPRIÉTAIRE EN VERTU DE CETTE GARANTIE

Pour assurer une couverture de garantie sans problème, il est important (mais il n'est pas nécessaire) que vous enregistrez votre produit WEBER® en ligne à www.weber.com ou au site spécifique au pays auquel le propriétaire peut être redirigé. S'il vous plaît, conservez également votre bon d'achat et/ou la facture original. L'enregistrement de votre produit WEBER® confirme la couverture de votre garantie et fournit un lien direct entre vous et Weber au cas où nous devrions vous contacter.

La garantie ci-dessus ne s'applique que si le propriétaire prend soin du produit WEBER® en suivant les instructions d'assemblage, d'utilisation et d'entretien préventif, comme indiqué dans le Guide du propriétaire qui l'accompagne, à moins que le propriétaire puisse prouver que le défaut ou la défaillance est indépendante du non-respect des obligations mentionnées ci-dessus. Si vous habitez dans une zone côtière, où que votre produit est situé près d'une piscine, l'entretien régulier comprend le lavage et le rinçage des surfaces extérieures comme indiqué dans le Guide du propriétaire l'accompagnant.

MANIPULATION SOUS GARANTIE / EXCLUSION DE GARANTIE

Si vous croyez que vous avez une pièce qui est couverte par cette garantie, s'il vous plaît contacter le Service à la clientèle de Weber en utilisant les informations de contact sur notre site web (www.weber.com) ou sur le site spécifique au pays auquel le propriétaire peut être redirigé. Weber, après enquête, réparera ou remplacera (à sa discrétion) la pièce défectueuse couverte par cette garantie. Dans le cas où la réparation ou le remplacement ne sont pas possibles, Weber peut choisir (à sa discrétion) de remplacer le barbecue en question par un nouveau barbecue de valeur égale ou supérieure. Weber peut vous demander de retourner les pièces pour l'inspection, frais d'expédition payés d'avance.

Cette GARANTIE devient caduque si il y a des dommages, détériorations, décolorations, et/ou de la rouille pour laquelle Weber n'est pas responsable causée par :

- L'abus, le mauvais usage, la modification, la mauvaise application, le vandalisme, la négligence, le montage ou l'installation incorrecte, et la négligence d'effectuer correctement l'entretien normal et routinier;
- Les insectes (comme les araignées) et les rongeurs (comme les écureuils), y compris mais non limité aux dommages causés aux tubes du brûleur et/ou aux canalisations de gaz ;
- L'exposition à l'air salin et/ou aux sources de chlore telles que les piscines et les cuves thermales/Spas ;
- Conditions météorologiques extrêmes comme la grêle, les ouragans, les tremblements de terre, les tsunamis ou les marées de tempête, les tornades et les tempêtes sévères.

L'utilisation et/ou l'installation de pièces sur votre produit WEBER® qui ne sont pas des pièces d'origine Weber annulera cette garantie, et les dommages qui en résultent ne sont pas couverts par cette garantie. Toute conversion d'un barbecue à gaz qui n'est ni autorisée par Weber et ni effectuée par un technicien agréé Weber annulera cette garantie.

PÉRIODES DE GARANTIE DU PRODUIT

Cuve de cuisson :
5 ans, pas de perçage par la rouille ou par brûlage
(2 ans pour la peinture sauf dégradation ou décoloration)

Assemblage du couvercle :
5 ans, pas de perçage par la rouille ou par brûlage
(2 ans pour la peinture sauf dégradation ou décoloration)

Composants en plastique :
5 ans, excluant la dégradation ou la décoloration

Toutes les autres pièces :
2 ans

EXCLUSIONS

EN DEHORS DE LA GARANTIE ET DES EXCLUSIONS COMME DÉCRIT DANS CETTE DÉCLARATION DE GARANTIE, IL N'Y A AUCUNE AUTRE GARANTIE EXPLICITE OU DÉCLARATION VOLONTAIRE DE RESPONSABILITÉ DONNÉE ICI QUI DÉPASSENT LA RESPONSABILITÉ LÉGALE APPLICABLE À WEBER. AUSSI, CETTE DÉCLARATION DE GARANTIE NE LIMITE PAS OU N'EXCLUE PAS LES SITUATIONS OU RÉCLAMATIONS POUR LESQUELLES WEBER A UN RESPONSABILITÉ IMPÉRATIVE PRESCRITE PAR LA LOI.

AUCUNE GARANTIE NE S'APPLIQUE APRÈS LES PÉRIODES APPLICABLES DE LA PRÉSENTE GARANTIE. AUCUNES AUTRES GARANTIES ACCORDÉES PAR TOUTES PERSONNES OU ENTITÉS, Y COMPRIS UN CONCESSIONNAIRE OU DÉTAILLANT CONCERNANT LES PRODUITS (COMME TOUTES « GARANTIES PROLONGÉES »), NE LIENT WEBER. LE SEUL RECOURS DE CETTE GARANTIE EST LA RÉPARATION OU LE REMPLACEMENT DE LA PIÈCE OU DU PRODUIT.

EN AUCUN CAS LA RECOUVREMENT DE QUELQUE NATURE QUE CE SOIT NE SERA PLUS GRAND QUE LE MONTANT DU PRIX D'ACHAT DU PRODUIT QUE WEBER VOUS A VENDU.

VOUS ASSUMEZ LES RISQUES ET RESPONSABILITÉS POUR LA PERTE, LES DOMMAGES OU LES BLESSURES À VOUS ET VOTRE PROPRIÉTÉ ET/OU AUX AUTRES ET À LEURS BIENS DU FAIT DE L'UTILISATION INCORRECTE OU ABUSIF DU PRODUIT OU LA NÉGLIGENCE DE SUIVRE LES INSTRUCTIONS FOURNIES PAR WEBER DANS LE GUIDE DU PROPRIÉTAIRE L'ACCOMPAGNANT.

LES PIÈCES ET ACCESSOIRES REMPLACÉS SOUS CETTE GARANTIE SONT GARANTIS POUR LA BALANCE DE LA OU DES PÉRIODES DE GARANTIES INITIALES.

CETTE GARANTIE S'APPLIQUE À L'UTILISATION DANS UNE MAISON PRIVÉE OU EN APPARTEMENT SEULEMENT ET NE COUVRE PAS LES BARBECUES WEBER DANS LES ÉTABLISSEMENTS COMMERCIAUX, COMMUNAUTAIRES OU EMPLACEMENTS MULTIPLES TELS QUE LES RESTAURANTS, LES HÔTELS, CLUBS OU IMMEUBLES LOCATIFS.

WEBER PEUT DE TEMPS EN TEMPS MODIFIER LA CONCEPTION DE SES PRODUITS. RIEN DANS CE GARANTIE NE SERA INTERPRÉTÉ COMME UNE OBLIGATION POUR WEBER D'INTÉGRER LES MODIFICATIONS DE CONCEPTIONS AUX PRODUITS FABRIQUÉS ANTÉRIEUREMENT, ET AUCUNE DE CES MODIFICATIONS NE SERA CONSIDÉRÉE COMME UNE ADMISSION QUE LES CONCEPTIONS PRÉCÉDENTES ÉTAIENT DÉFECTUEUSES.

WEBER-STEPHEN PRODUCTS LLC

Centre de service clientèle
2900 Golf Road
Rolling Meadows, IL 60008
U.S.A.

Pour des pièces de rechange, appelez le :
1-800-446-1071

Les grills illustrés dans ce Mode d'emploi peuvent varier légèrement par rapport au modèle acheté.

ENREGISTRER VOTRE BARBECUE

Merci d'avoir acheté un barbecue Weber®. Prenez quelques minutes pour protéger votre investissement en enregistrant votre barbecue en ligne sur www.weber.com. Utilisez le numéro de série présent sur la page de couverture de ce guide du propriétaire.

Si vous avez des questions ou avez besoin d'une assistance concernant votre grill ou son fonctionnement, contactez l'agent de service client le plus proche. Utilisez les coordonnées de contact figurant sur notre site Web. Allez sur www.weber.com.

Avec le barbecue électrique Weber®, vous pouvez griller, cuire au barbecue, rôtir et cuire et obtenir des résultats dont les appareils de cuisson pour intérieur sont incapables. Le couvercle fermé procure cette saveur "extérieur" aux aliments. L'électricité est facile à utiliser et vous confère une plus grande maîtrise que le charbon.

- Ces instructions vous fourniront les exigences minimum pour l'assemblage de votre barbecue électrique Weber®. Veuillez lire attentivement les instructions avant d'utiliser votre barbecue électrique Weber®. Un assemblage défectueux peut s'avérer dangereux.
- Tenir les enfants hors de portée du barbecue.
- Cet appareil électrique Weber® ne peut être utilisé à des fins commerciales.
- Gardez toujours un œil attentif sur votre barbecue électrique Weber® lorsqu'il est en marche.
- Les pièces scellées par le fabricant ne peuvent être modifiées par l'utilisateur.
- Toute modification de l'appareil peut s'avérer dangereuse.
- Procédez à une inspection visuelle du cordon, de la prise et du contrôleur de température afin de vérifier s'ils présentent des dommages ou des marques d'usure.
- Lorsque vous chauffez le grill pour la première fois, il se peut qu'il dégage une odeur de brûlé. Le grill brûle les lubrifiants qui se trouvent sur l'élément chauffant. Cela n'a aucune incidence sur la sécurité de votre grill.
- Afin d'éviter toute décharge électrique ou tout incendie, faites toujours appel à un électricien qualifié si de nouveaux circuits ou de nouvelles prises l'exigent.
- Les prises incorrectement mises à la terre peuvent être responsables de décharges électriques.
- L'utilisation d'une rallonge n'est pas recommandée. Si vous devez néanmoins en utiliser une, faites en sorte qu'elle soit le court possible. Ne branchez pas 2 rallonges ou plus. Veillez à ce que les branchements soient secs et au-dessus du sol. Veillez également à ce que le cordon ne pende pas du rebord de la table afin d'éviter que les enfants ne tirent dessus ou ne trébuchent. N'utilisez que des rallonges conçues pour être utilisées en extérieur.
- Bâchez le grill ou rangez-le dans un endroit à l'abri des intempéries lorsque vous ne l'utilisez pas.
- Nettoyez la grille et la chambre de cuisson entre chaque utilisation.

RANGEMENT ET/OU NON UTILISATION

- Pendant les périodes de non utilisation, le contrôleur de température avec le cordon d'alimentation doit être en position "OFF". Rangez votre grill à l'intérieur.

MISE EN MARCHÉ

- ⚠ **AVERTISSEMENT:** votre barbecue électrique Weber® ne doit pas être utilisée sur une surface inflammable telle que du gazon sec, des arbustes, etc.
- ⚠ **AVERTISSEMENT:** votre barbecue électrique Weber® electric n'est pas conçu pour être installé dans des véhicules de plaisance, les terrains et/ou les bateaux.
- ⚠ **AVERTISSEMENT:** n'utilisez pas le barbecue à moins de 60 cm (24 pouces) de matériaux inflammables. N'utilisez aucune construction inflammable.
- ⚠ **AVERTISSEMENT:** la chambre de cuisson chauffe pendant l'utilisation du grill. Gardez toujours un œil dessus.
- ⚠ **AVERTISSEMENT:** maintenez le cordon d'alimentation à l'écart de toute surface chauffée.
- ⚠ **AVERTISSEMENT:** veillez à ce que la zone de cuisson ne comporte pas de vapeurs ou de liquides inflammables tels que le carburant, le kérosène, l'alcool, etc., et d'autres matériaux inflammables.
- ⚠ **AVERTISSEMENT:** lors de la cuisson, l'appareil doit être placé sur une surface stable et nivelée dépourvue de matériaux inflammables.
- ⚠ **AVERTISSEMENT:** veillez à ce que le cordon ne se trouve pas dans le chambre de cuisson.

AVANT D'UTILISER LE GRILL

EGOUTTOIR ET EGOUTTOIR JETABLE

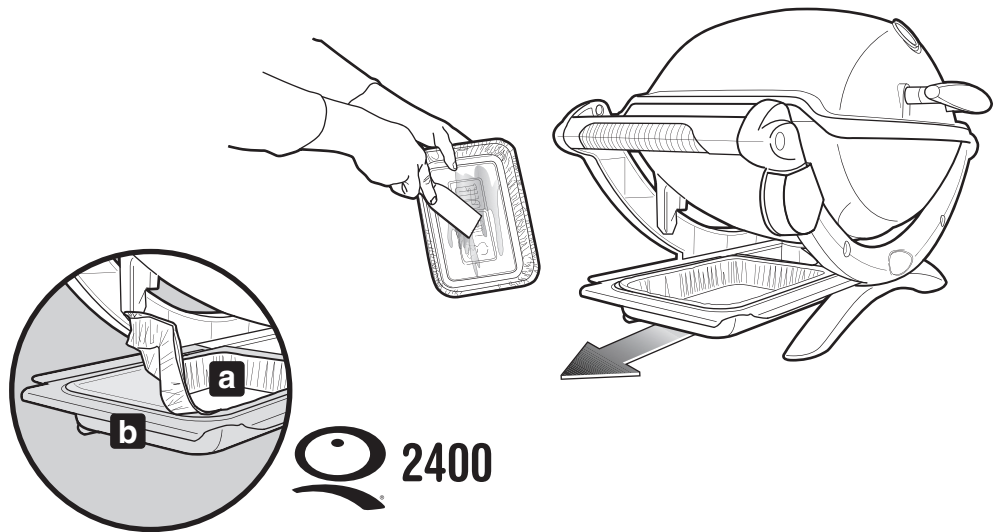
Votre grill à gaz a été pourvu d'un dispositif de recueil des graisses. Vérifiez l'égouttoir et l'égouttoir jetable afin de détecter toute accumulation de graisse à chaque fois que vous utilisez votre grill.

Retirez tout excès de graisse à l'aide d'une spatule en plastique ; voir l'illustration. Lorsque cela s'avère nécessaire, lavez l'égouttoir et l'égouttoir jetable à l'aide d'une solution d'eau savonneuse, ensuite rincez avec de l'eau propre. Remplacez l'égouttoir jetable lorsque cela s'avère nécessaire.

⚠ MISE EN GARDE : Vérifiez l'égouttoir et l'égouttoir jetable pour détecter toute accumulation de graisse avant chaque utilisation. Retirez l'excès de graisse pour éviter un feu de graisse. Un feu de graisse peut provoquer des blessures graves ou des dégâts matériels.

⚠ ATTENTION : Ne recouvrez pas le plateau l'égouttoir avec du papier aluminium.

(Q® 2400) - Assurez-vous que l'égouttoir jetable (a) repose à plat sur l'égouttoir (b). Un égouttoir plié peut interférer avec le retrait de l'égouttoir.



CUISINER SUR VOTRE GRILL ELECTRIQUE

**Cet appareil a été conçu pour fonctionner sur un courant de 120 volts - 50/60Hz
Puissance: 1500 W**

⚠ AVERTISSEMENT: ne bougez pas le grill électrique Weber® lorsqu'il fonctionne ou lorsque le grill est chaud.

⚠ AVERTISSEMENT: déroulez complètement le cordon d'alimentation. Veillez à maintenir le cordon à l'écart de la chambre de cuisson.

1) Branchez le contrôleur de température au grill.

⚠ Branchez toujours entièrement le contrôleur de température au grill avant de brancher le cordon d'alimentation à la prise secteur.

2) Ouvrez le couvercle.

3) Assurez-vous que le contrôleur de température soit en position OFF. (Tournez le bouton de commande dans le sens inverse des aiguilles d'une montre afin de vous assurer qu'il se trouve sur la position OFF.)

4) Branchez le cordon d'alimentation dans une prise protégée.

⚠ L'appareil doit être alimenté via une prise de disjoncteur de fuite à la terre, 15 amp au minimum.

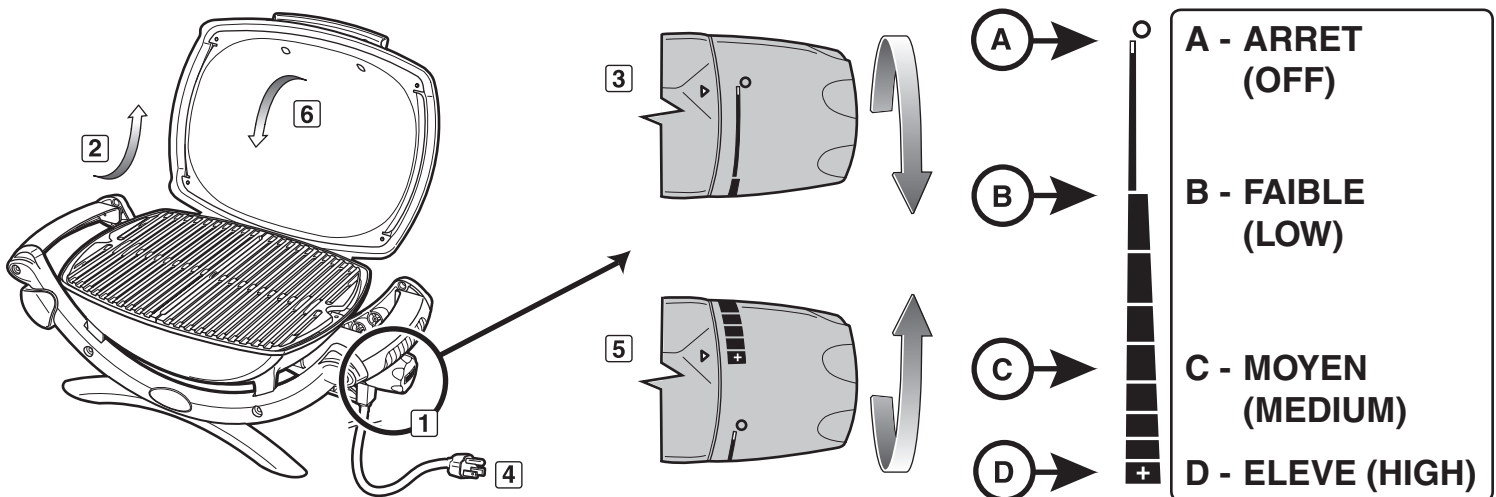
5) Préchauffez le grill. Tournez le bouton sur HIGH (dans le sens des aiguilles). La diode rouge indique que l'appareil est sous tension et que l'élément chauffant est en marche. La lumière rouge s'allume et s'éteint périodiquement selon l'ajustement de l'élément chauffant pour maintenir la température.

6) Fermez le couvercle. Le temps de préchauffage sera d'environ 20 minutes ; lorsque vous cuisez à une température extérieure de 72°F. Le froid et/ou le vent peut prolonger le préchauffage.

Ne dépassez les 60 minutes de cuisson.

Pour cuire à une température de grill inférieure: Préchauffez comme indiqué précédemment. Tournez le bouton dans le sens inverse des aiguilles d'une montre sur le niveau souhaité. Démarrez la cuisson.

⚠ AVERTISSEMENT: lorsque le voyant rouge est éteint, il se peut que l'élément chauffant soit encore chaud.



DEPANNAGE

PROBLÈME	INSPECTION	SOLUTION
Le grill électrique ne s'allume pas.	Le contrôleur de température est-il correctement inséré dans l'armoire ?	Démontez et réinstallez le contrôleur de température.
	Le voyant rouge est-il allumé et le bouton de commande de température est-il tourné dans le sens inverse des aiguilles sur HIGH ?	⚠ Branchez toujours le contrôleur de température dans le grill avant de brancher le cordon d'alimentation dans la prise secteur.
	Y a-t-il du courant dans la prise ?	Vérifiez le réseau électrique. Vérifiez si le disjoncteur est enclenché.
Si les problèmes persistent, veuillez contacter l'agent du service client de votre région à partir des coordonnées de contact que vous trouverez sur notre site Web. Allez sur www.weber.com .		

MAINTENANCE

NETTOYAGE

⚠ AVERTISSEMENT: éteignez votre barbecue électrique Weber® et laissez-le refroidir avant de procéder au nettoyage.

Pour en savoir sur la disponibilité des grilles de cuisson, contactez l'agent du service client de votre région, à partir des coordonnées de contact que vous trouverez sur notre site Web. Allez sur www.weber.com.

Contrôleur de température avec cordon d'alimentation - Utilisez une solution à base d'eau chaude et de savon et un chiffon humide. Essuyez et séchez entièrement avant d'utiliser.

⚠ AVERTISSEMENT: afin d'éviter les décharges électriques, ne plongez aucune partie de l'appareil dans l'eau ou dans tout autre liquide.

Surfaces externes - Utilisez une solution à base d'eau chaude et de savon pour nettoyer, puis rincez à l'eau.

⚠ ATTENTION: n'utilisez pas de nettoyant pour four, de produits abrasifs (produits de cuisine), des nettoyeurs à base de citron, ou des chiffons abrasifs sur le barbecue.

⚠ ATTENTION: ne nettoyez pas le grill avec des brosses métalliques. Les poils métalliques de la brosse peuvent se casser et endommager les parties électriques.

Grille de cuisson - Nettoyez à l'aide d'une brosse métallique en acier inoxydable adaptée. Si nécessaire, retirez la grille du barbecue et lavez-la à l'eau savonneuse chaude, ensuite rincez à l'eau.

⚠ ATTENTION : Les brosses du grill devraient être vérifiées régulièrement afin de détecter toute usure excessive. Remplacez la brosse si vous trouvez des brins métalliques sur la grille de cuisson ou sur la brosse. Weber recommande d'acheter une brosse neuve pour le nettoyage de la grille en acier inoxydable au début de chaque printemps.

Bac à graisse - À chaque utilisation du barbecue, vérifiez l'absence d'accumulation de graisse dans le bac de récupération. Éliminez l'excès de graisse à l'aide d'un racloir en plastique. Lavez le bac de récupération à l'aide d'eau savonneuse tiède, puis rincez-le à l'eau claire. Weber propose des barquettes en aluminium jetables adaptées au bac de récupération.

⚠ AVERTISSEMENT: vérifiez la présence de dépôts de graisse dans le bac d'égouttage et la doublure de bol avant chaque utilisation. Retirez le trop-plein de graisse afin d'éviter qu'un feu ne s'allume dans la partie inférieure du grill.

Intérieur du couvercle - Si le couvercle est chaud, essuyez l'intérieur à l'aide de serviettes de papier afin d'éviter l'accumulation de graisse. L'accumulation de graisse ressemble à des écailles de peinture.

Doublure de bol amovible - Retirez la graisse accumulée, lavez à l'eau chaude savonneuse, puis rincez à l'eau.

N'utilisez pas de produits de nettoyage contenant de l'acide, de l'essence minérale ou du xylène. Rincez soigneusement après le nettoyage.

⚠ Nettoyez la doublure de bol amovible régulièrement.

NETTOYAGE DE LA DOUBLURE DE BOL DEMONTABLE

- ⚠ **AVERTISSEMENT:** éteignez votre barbecue électrique Weber® et laissez-le refroidir avant de procéder au nettoyage.
- ⚠ **AVERTISSEMENT:** évitez l'accumulation de graisse sur la grille et dans la chambre de cuisson. Le nettoyage régulier de la grille et de la doublure démontable entre chaque utilisation a pour but d'éviter une accumulation de graisse. Une maintenance inadéquate peut amener la graisse à prendre feu au risque de provoquer des blessures corporelles ou la mort ainsi que des dommages matériels.

1) Débranchez le cordon d'alimentation du contrôleur de température. Saisissez le contrôleur par le socle derrière le bouton de commande (a) et tirez pour le démonter (b).

- ⚠ **ATTENTION:** évitez de tirer le bouton pour démonter le contrôleur .

2) Inclinez avec précaution l'élément chauffant légèrement à la verticale et faites coulisser la doublure démontable vers l'extérieur du grill. Récurvez l'intérieur à l'aide d'une raclette en plastique pour retirer la graisse accumulée.

- ⚠ **ATTENTION:** n'utilisez pas de produit nettoyant pour four, de nettoyants abrasifs (pour cuisine), des produits à base de citriques, ou de grattoirs sur l'élément chauffant. Evitez les produits à base d'acide, d'essence minérale ou de xylène.

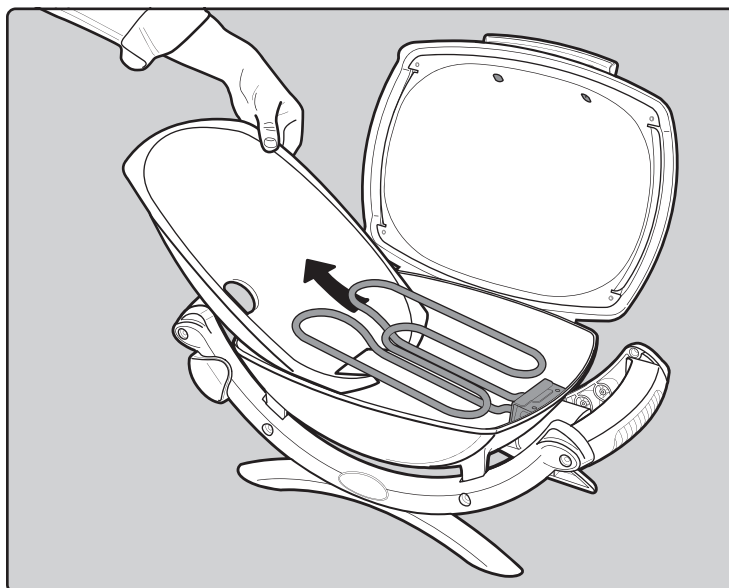
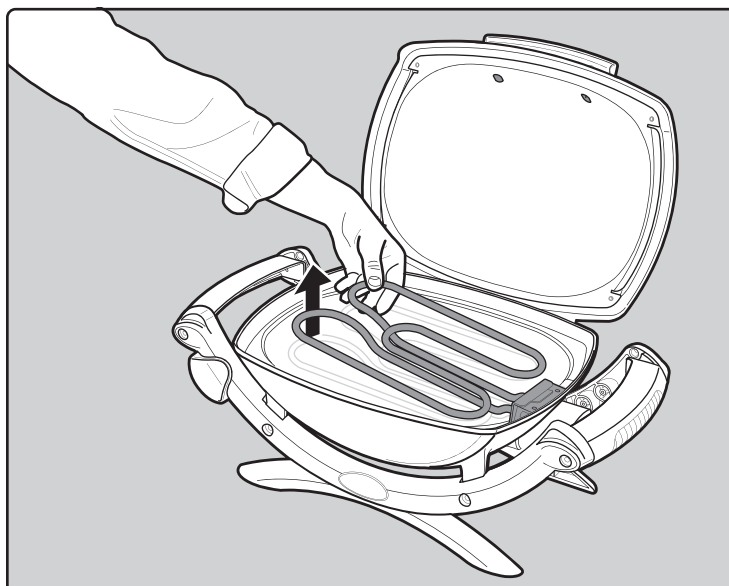
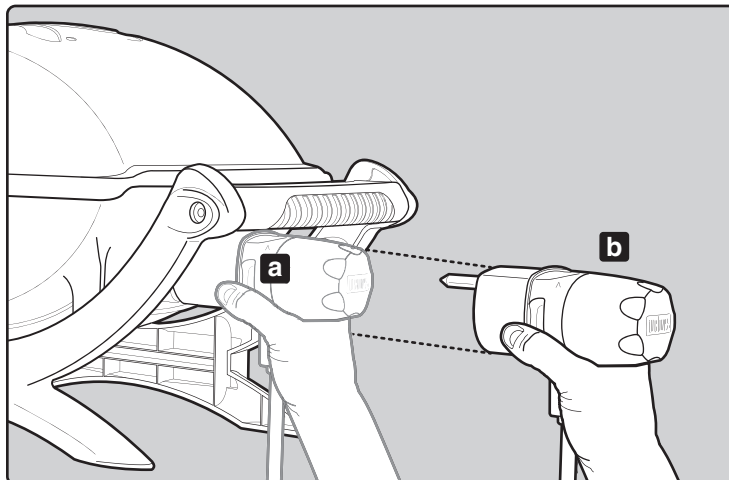
3) Remplacez la doublure démontable et le contrôleur de température avant utilisation.

- ⚠ **Branchez toujours le contrôleur de température entièrement dans le grill avant de brancher le cordon d'alimentation dans la prise.**

Le trop-plein de jus et la graisse se sont accumulés dans le bac. (des lèchesfrites jetables adaptées au bac sont disponibles).

- ⚠ **AVERTISSEMENT:** retirez la graisse accumulée dans le bac prévu à cet effet avant chaque utilisation afin d'éviter que la graisse ne prenne feu.

- ⚠ **Si la graisse prend feu, éteignez le contrôleur de température et laissez le couvercle jusqu'à extinction du feu.**



⚠ ATTENTION : Ce produit a fait l'objet de tests de sécurité et est certifié pour une utilisation dans un pays particulier uniquement. Vérifiez la désignation de pays située sur le carton d'emballage.

Ces pièces peuvent contenir du gaz ou être des éléments dont la combustion produit du gaz. Veuillez consulter le Service clientèle de Weber-Stephen Products LLC pour des renseignements sur les pièces de rechange originales de Weber-Stephen Products LLC.

⚠ MISE EN GARDE : Ne tentez pas d'effectuer des réparations sur des éléments contenant du gaz ou sur des éléments dont la combustion produit du gaz sans contacter le service clientèle de Weber-Stephen Products LLC. Si vous ne suivez pas la présente Mise en garde relative au produit, vos actions risquent de provoquer un incendie ou une explosion entraînant des blessures physiques graves voire un décès ainsi que des dégâts matériels.

Le grill Weber® Q® comprend des designs et des caractéristiques créés à l'origine par Robert DeMars d'Original Ideas, Inc.



WEBER-STEPHEN PRODUCTS LLC
www.weber.com®