

WA52M7750AV

SAMSUNG

Samsung activewash™ Top-Load Washer

5.2 cu. ft. Capacity DOE



Signature Features

activewash™

- Built-in sink for pre-treatment.

Steam Wash

- Uses the power of steam to remove stains without pre-treatment.

VRT Plus™ Technology

- Reduces vibration 40% more than standard VRT™ for quiet washing.

Available Colors



Fingerprint Resistant
Black Stainless Steel (shown)



White



activewash™



Steam Wash

Features

- activewash™
- Steam Wash
- VRT Plus™ Technology
- 5.2 cu. ft. Capacity
- Self Clean
- Smart Care
- Swirl Drum Interior
- EZ Drawer Dispenser
- 800 RPM Maximum Spin Speed
- Stainless Steel Pulsator
- Direct Drive Motor
- 13 Preset Wash Cycles
- 10 Options
- LED Display: Ice Blue
- Door Lid: Chrome Deco Transparent Glass
- Soft-Close Lid

Convenience

- Child Lock
- Delay End
- Dispenser Trays: Main Wash, Softener, Bleach (Manual)

Rating



ENERGY STAR®-rated
IMEF = 2.06
IWF = 4.30
165 kWh/yr

WA52M7750AV

SAMSUNG

Samsung activewash™ Top-Load Washer

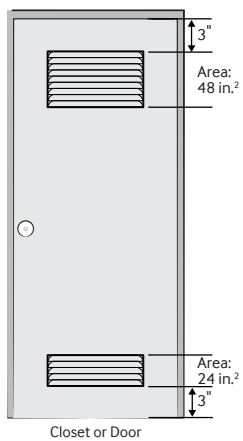
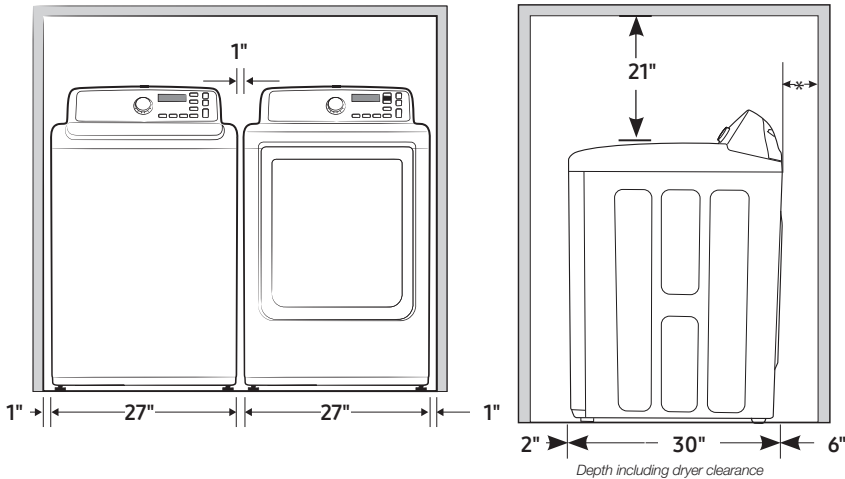
5.2 cu. ft. Capacity DOE

Installation Specifications

Alcove or closet installation

Recessed Area

Side View Confined



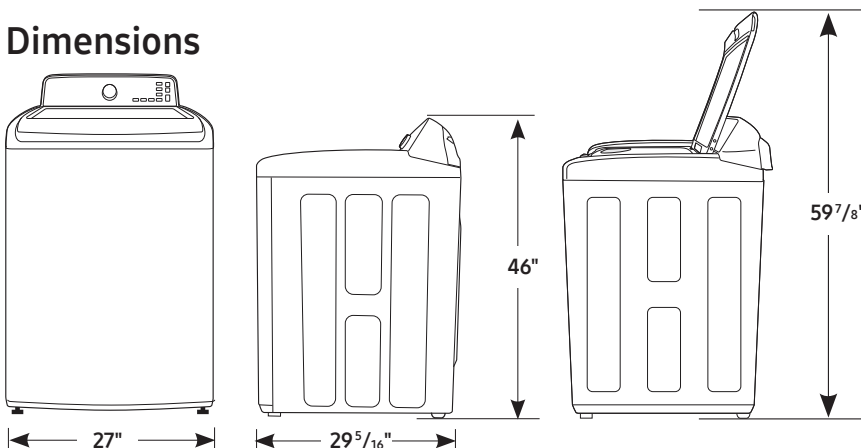
Minimum clearances for closets and alcoves:

- Sides – 1"
- Top – 21"
- Rear – 6"
- Closet Front – 2"

If the washer and dryer are installed together, the closet front must have at least a 72-inch² unobstructed air opening. Your washer alone does not require a specific air opening.

*Required spacing (External exhaust elbow may require additional space.)

Dimensions



13 Preset Wash Cycles:

Normal, Bedding/WaterProof, Heavy Duty, Permanent Press, Steam Sanitize, Colors/Darks, Brilliant Whites, Active Wear, Delicates/Hand Wash, Quick Wash, Rinse + Spin, Spin Only, Deep Wash

10 Options:

Self Clean, Delay End, My Cycle, Pre Soak, Extra Rinse, Sound On/Off, Child Lock, Fabric Softener, Smart Care, Eco Plus

6 Temperature Settings:

Extra Hot, Hot, Warm, Eco Warm, Cold, Cool

5 Spin Settings:

Extra High, High, Medium, Low, No Spin

5 Soil Settings:

Heavy, Heavy Medium, Normal, Low Medium, Light

2 Sound Level Settings:

On/Off

Dispenser Trays:

Main Wash, Softener, Bleach (Manual)

Warranty

One (1) Year Parts and Labor
Three (3) Years Stainless Steel Tub (Part Only)
Ten (10) Years Direct Drive Motor (Part Only)

Product Dimensions & Weight (WxHxD)

Dimensions: 27" x 46" x 29⁵/₁₆"
Weight: 143.3 lbs

Shipping Dimensions & Weight (WxHxD)

Dimensions: 29⁹/₁₆" x 48³/₁₆" x 31¹/₁₆"
Weight: 154.3 lbs

Color	Model #	UPC Code
Fingerprint Resistant		
Black Stainless Steel	WA52M7750AV	887276196428
White	WA52M7750AW	887276196435

Matching Dryer (Electric/Gas)

Fingerprint Resistant		
Black Stainless Steel	DVE52M7750V	887276196855
White	DVE52M7750W	887276196862
Fingerprint Resistant		
Black Stainless Steel	DVG52M7750V	887276197029
White	DVG52M7750W	887276197036