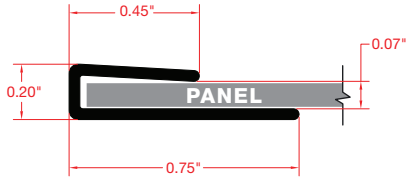


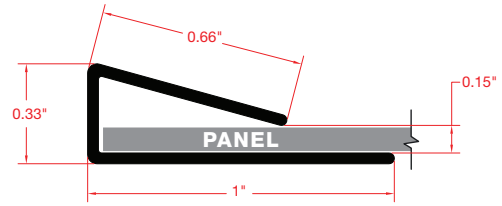
## Standard Profile Edge J-Trim

accommodates panels up to approximately 2 mm (5/64")



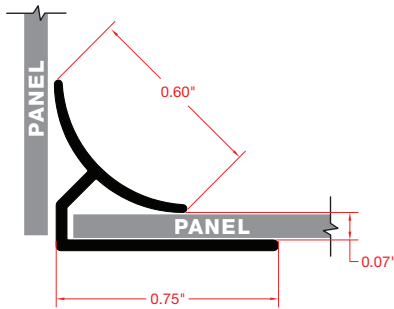
## Large Profile Edge J-Trim

accommodates panels up to approximately 4 mm (5/32")



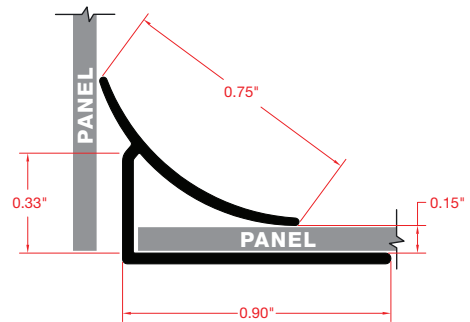
## Standard Profile Inside Corner Trim

accommodates panels up to approximately 2 mm (5/64")



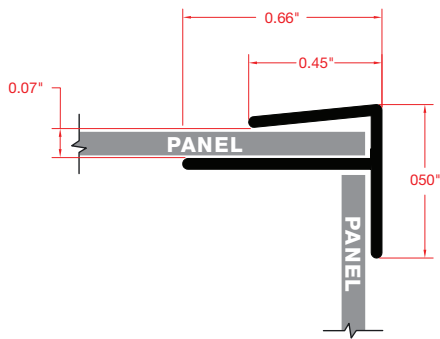
## Large Profile Inside Corner Trim

accommodates panels up to approximately 4 mm (5/32")



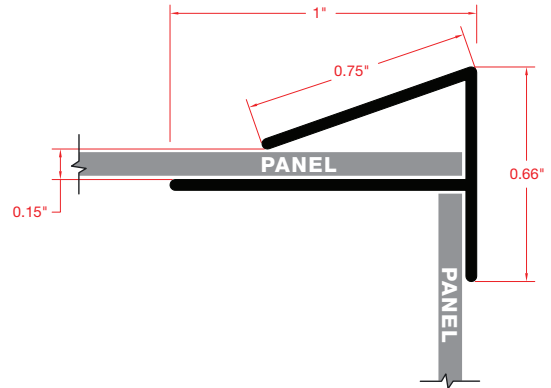
## Standard Profile Outside Corner Trim

accommodates panels up to approximately 2 mm (5/64")



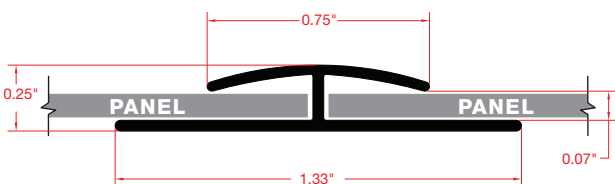
## Large Profile Outside Corner Trim

accommodates panels up to approximately 4 mm (5/32")



## Standard Profile Divider Trim

accommodates panels up to approximately 2 mm (5/64")



## Large Profile Divider Trim

accommodates panels up to approximately 4 mm (5/32")

