

48" x 34" PASSAGE™ SHOWER BASE

A8012T-CO PASSAGE SHOWER BASE

Center Drain

Features:

- Durable acrylic with fiberglass reinforced construction
- Low 2-1/4" threshold height
- Unique and pleasing geometric shape
- Deck platform creates distinct showering and storage spaces
- Integral three-sided, tiling/water retention flange
- Center drain outlet
- Textured floor helps prevent slips and falls
- Shower drain not included
- Limited Lifetime warranty

Nominal Dimensions:

48" x 34" x 2-1/4"
(1219 x 864 x 57mm)

Compliance Certifications -

Meets or Exceeds the Following Specifications:

- CSA B45.5 / IAPMO Z124



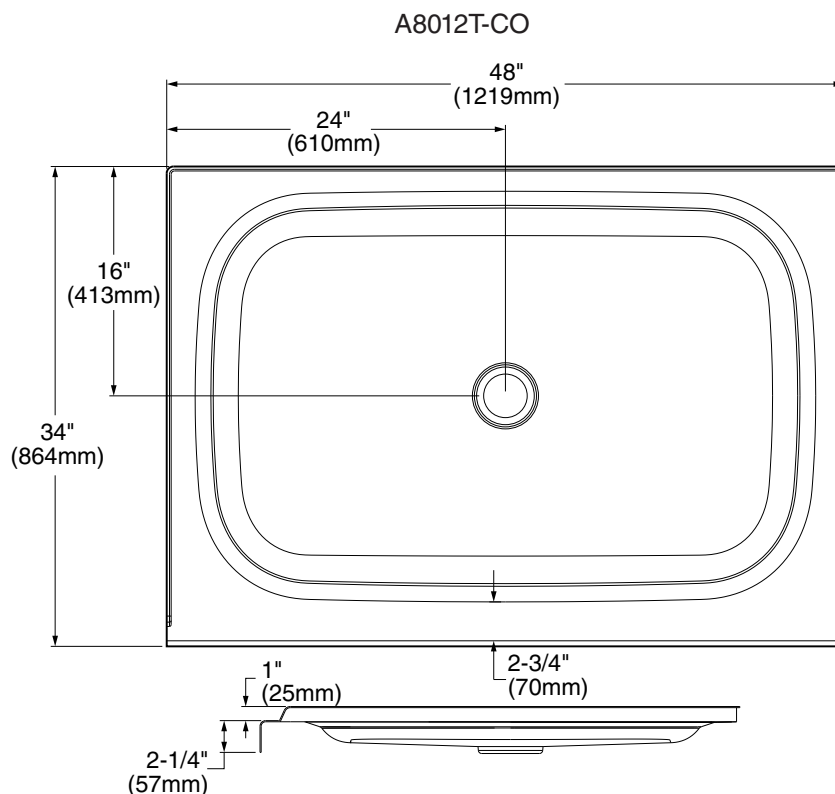
A8012T-CO SHOWER BASE

Center Drain

SEE NEXT PAGE FOR ROUGHING-IN DIMENSIONS
AND PRODUCT SPECIFICATIONS

To Be Specified - Required:

- Drain: 751819-XXX (specify finish)
- Color: .020 White



GENERAL SPECIFICATIONS FOR A8012T BASE	
INSTALLED SIZE	48 x 34 x 2-1/4 In. (1219 x 864 x 57mm)
WEIGHT	40.5 Lbs. (18.4 Kg)
SHOWER WELL AT SUMP	37-7/8 x 22-3/4 In. (962 x 577mm)
SHOWER WELL AT RIM	43-15/16 x 29-1/8 In. (1117 x 739mm)
PTS.	1.92
CUBE (FT ³)	4.5

NOTES:

REFER TO INSTALLATION INSTRUCTIONS SUPPLIED WITH PRODUCT FOR ADDITIONAL INFORMATION.

FITTINGS NOT INCLUDED AND MUST BE ORDERED SEPARATELY.

PROVIDE SUITABLE REINFORCEMENT FOR ALL SUPPORTS.

IMPORTANT: Dimensions of fixtures are nominal and may vary within the range of tolerances established by ANSI Standard Z124. These measurements are subject to change or cancellation. No responsibility is assumed for use of superseded or voided leaflet.