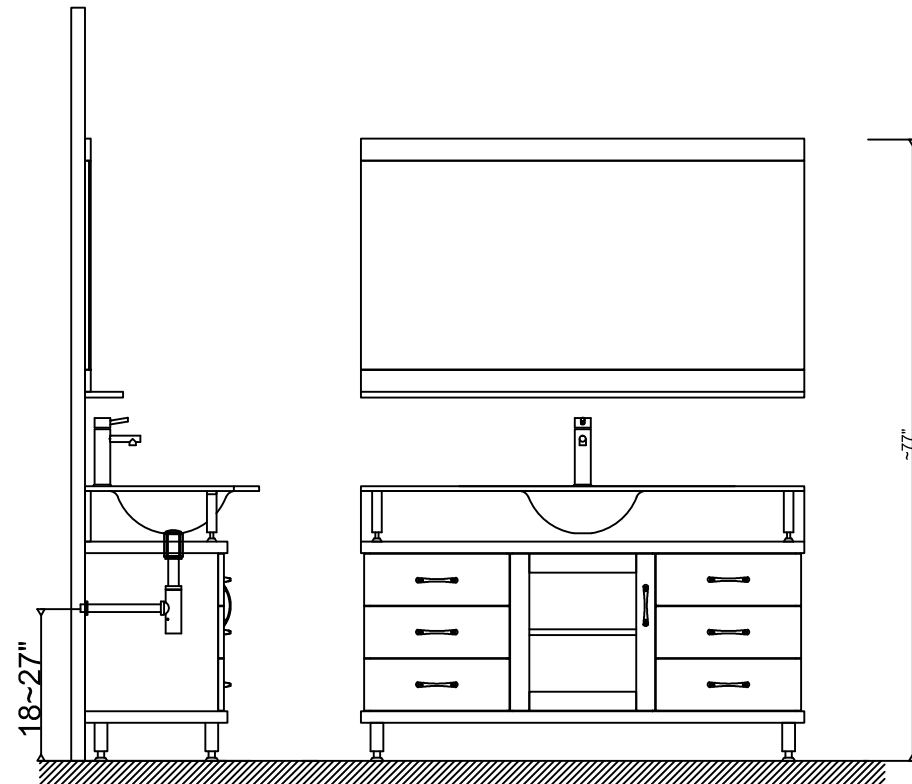


Prior to installation, please check the items you have received against the packing list. Report any missing items to your local dealer immediately.

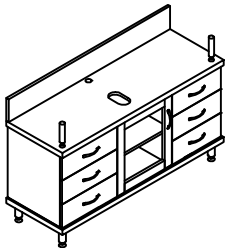
Protect all surfaces from sharp objects, high heat sources, direct prolonged sunlight and chemical hazards.

Professional installation is recommended.

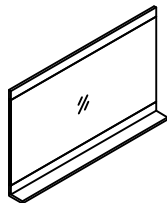


PARTS LIST (may differ depending on purchase)

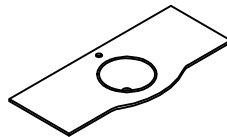
Cabinet

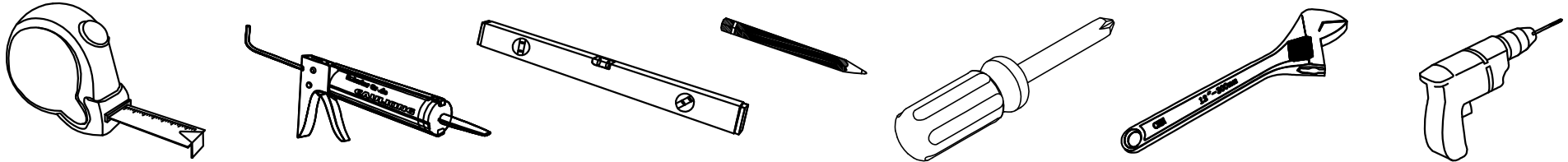
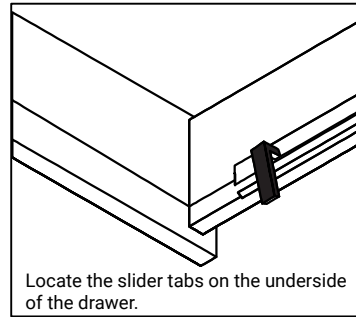
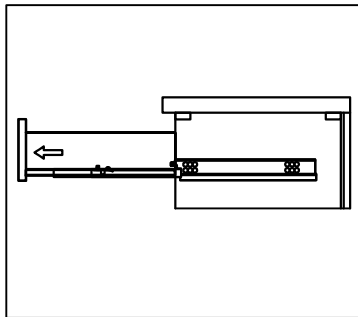
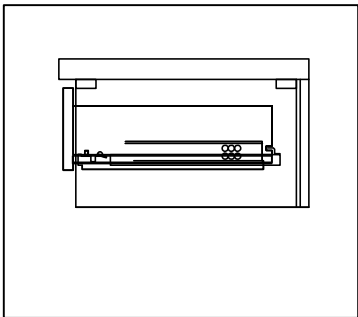


Mirror



Basin

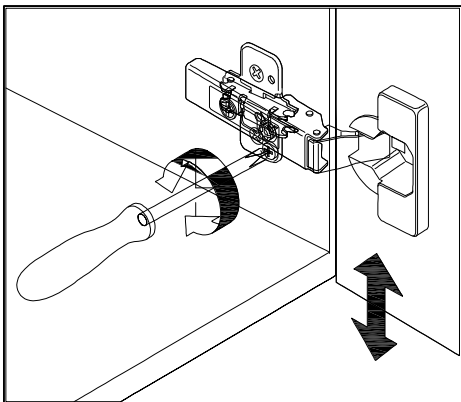


REQUIRED TOOLS**DRAWER REMOVAL****REMOVAL**

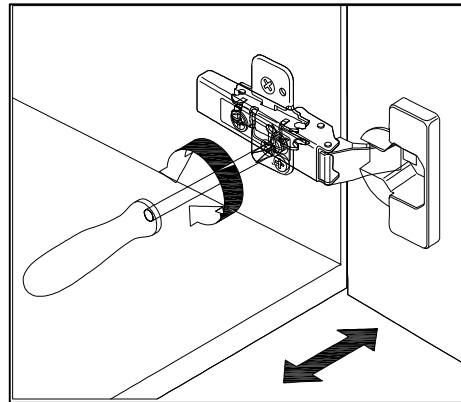
1. Pull tabs toward center
2. Lift and pull drawer out

RE-INSTALL

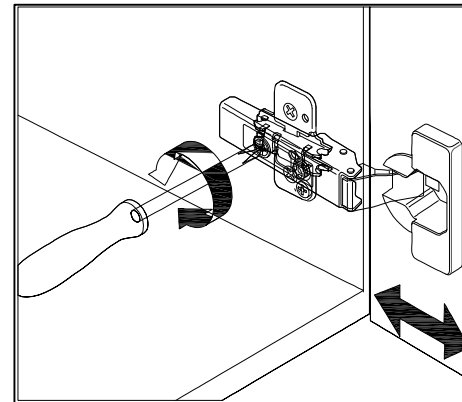
1. Align drawer hole with slider stud
2. Push tabs back in to secure

DOOR ADJUSTMENT

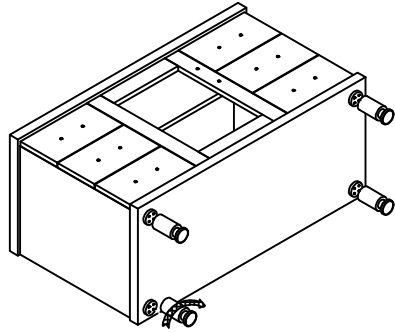
Adjusts the door vertically



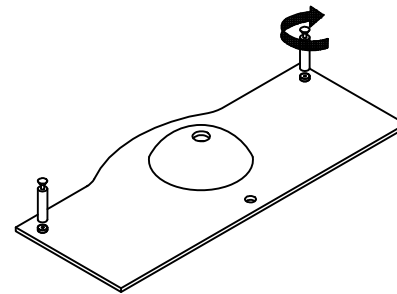
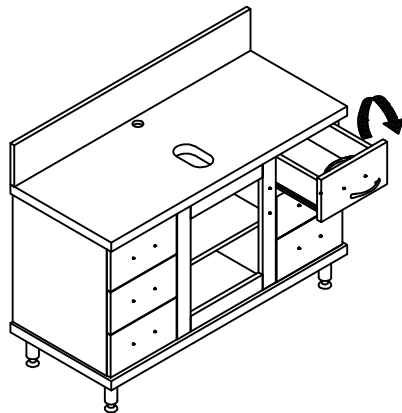
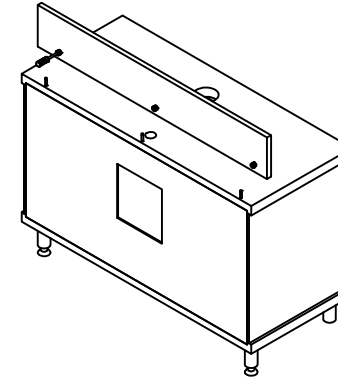
Adjusts the door horizontally



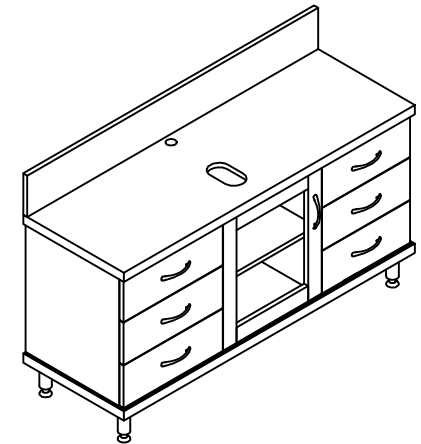
Adjusts the door forward and backwards



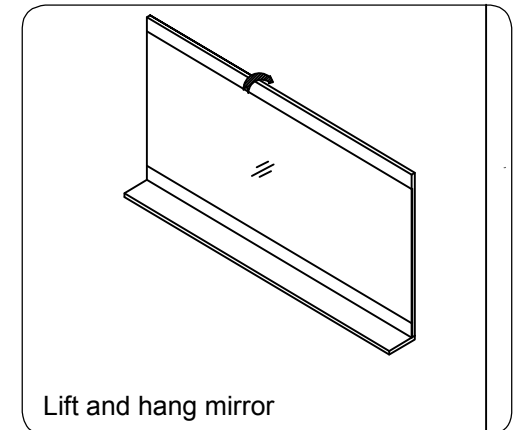
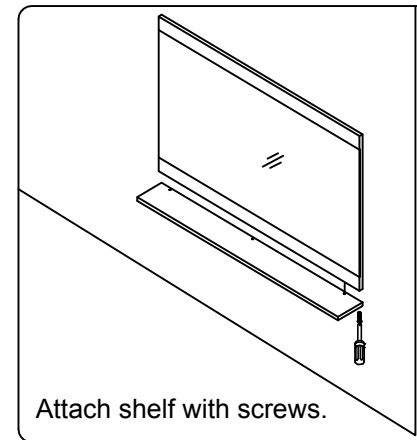
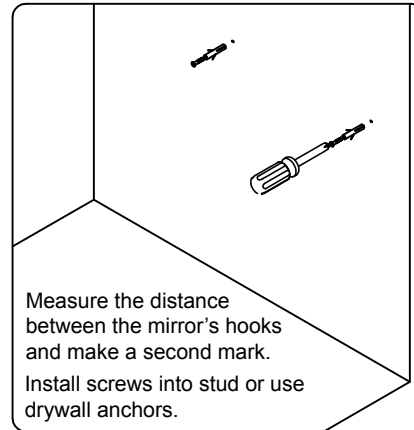
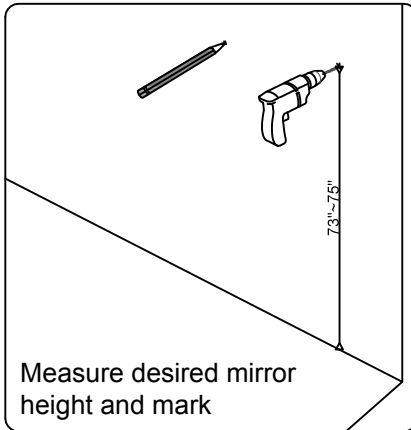
Attach cabinet vanity legs



Attach countertop support legs



Mirror Installation



Top Installation

