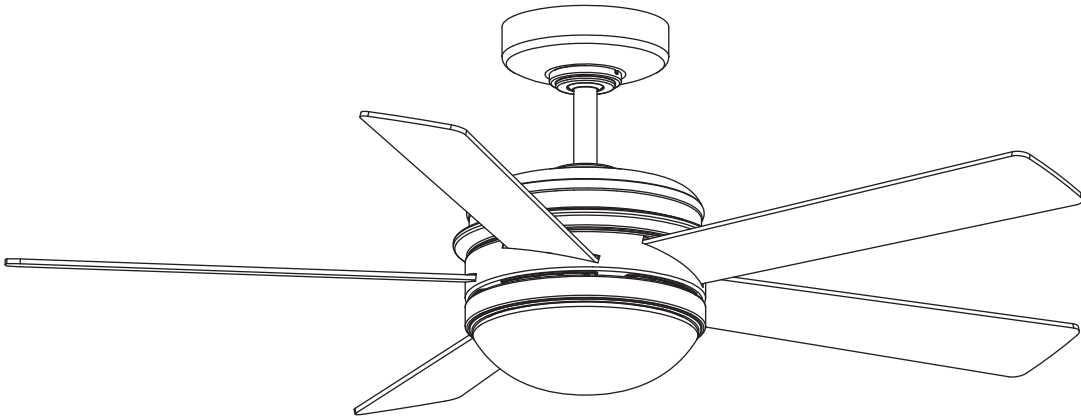


HOME
DECORATORS
COLLECTION

Item #1000*****/
1000*****/
Model #FC132-BMRL/
FC140-BMRL

USE AND CARE GUIDE

FC132-BMRL/FC140-BMRL 52/56-INCH CEILING FAN



Questions, problems, missing parts? Before returning to the store call
Home Decorators Collection Customer Service
8 a.m. - 6 p.m., EST, Monday-Friday

1-800-986-3460

HOMEDEPOT.COM/HOMEDECORATORS

THANK YOU

We appreciate the trust and confidence you have placed in Home Decorators Collection through the purchase of this ceiling fan. We strive to continually create quality products designed to enhance your home. Visit us online to see our full line of products available for your home improvement needs.

Thank you for choosing Home Decorators Collection!

Table of Contents

Table of Contents	2	Assembly	7
Safety Information	2	Operation	13
Warranty	3	Care and Cleaning	15
Pre-Installation	4	Troubleshooting	16
Installation	6		

Safety Information

READ AND SAVE THESE INSTRUCTIONS.

- ❑ To reduce the risk of electric shock, ensure the electricity has been turned off at the circuit breaker or fuse box before you begin.
- ❑ All wiring must be in accordance with the National Electrical Code ANSI/NFPA 70-1999 and local electrical codes. Electrical installation should be performed by a qualified licensed electrician.
- ❑ The outlet box and support structure must be securely mounted and capable of reliably supporting a minimum of 35 lbs. (15.9 kg). Use only UL-listed outlet boxes marked "Acceptable for Fan Support of 35 lbs. (15.9 kg) or less."
- ❑ The fan must be mounted with a minimum of 7 ft (2.1 m) clearance from the trailing edge of the blades to the floor.
- ❑ Do not place objects in the path of the blades.
- ❑ To avoid personal injury or damage to the fan and other items, use caution when working around or cleaning the fan.
- ❑ After making electrical connections, spliced conductors should be turned upward and pushed carefully up into outlet box. The wires should be spread apart with the grounded conductor and the equipment-grounding conductor on one side of the outlet box.
- ❑ All setscrews must be checked and retightened where necessary before installation.

Warning: Changes or modifications to this unit not expressly approved by the party responsible for compliance could void the user's authority to operate the equipment.

NOTE: This equipment has been tested and found to comply with the limits for a Class B digital device, pursuant to Part 15 of the FCC Rules. These limits are designed to provide reasonable protection against harmful interference in a residential installation. This equipment generates, uses and can radiate radio frequency energy and, if not installed and used in accordance with the instructions, may cause harmful interference to radio communications. However, there is no guarantee that interference will not occur in a particular installation.

If this equipment does cause harmful interference to radio or television reception, which can be determined by turning the equipment off and on, the user is encouraged to try to correct the interference by one or more of the following measures:

- Reorient or relocate the receiving antenna.
- Increase the separation between the equipment and receiver.
- Connect the equipment into an outlet on a circuit different from that to which the receiver is connected.
- Consult the dealer or an experienced radio/TV technician for help.

"Please note that changes or modifications of this product is not expressly approved by the party responsible for compliance could void the user's authority to operate the equipment."

This device complies with part 15 of the FCC rules, operation is subject to the following two conditions. (1) this device may not cause harmful interference and (2) this device must accept any interference received, including interference that may cause undesired operation.



WARNING:To Reduce The Risk Of Personal Injury, Do Not Bend The Blade Brackets When Installing The Brackets, Balancing The Blades, Or Cleaning The Fan. Do Not Insert Foreign Objects In Between Rotating Fan Blades.



WARNING: Remove The Rubber Motor Stops On The Bottom Of The Fan Before Installing The Blades Or Testing The Motor.



WARNING: To Reduce The Risk Of Fire Or Electric Shock, Do Not Use This Fan With Any Solid-State Speed Control Device.



WARNING: To Reduce The Risk Of Fire Or Electric Shock, Or Personal Injury, Mount To Outlet Box Marked "Acceptable for Fan Support of 15.9 kg (35 lbs) or less" And Use Mounting Screws Provided With The Outlet Box.



WARNING: To Avoid Possible Electrical Shock, Turn The Electricity Off At The Main Fuse Box Before Wiring. If You Feel You Do Not Have Enough Electrical Wiring Knowledge Or Experience, Contact A Licensed Electrician.



WARNING: To Reduce The Risk Of Fire Or Electric Shock, This FC132-BMRL Fan Should Only Be Used With Fan Speed Control Model No. FYDC759 - A1, the FC140-BMRL Should Only Be Used With Fan Speed Control Model No. FYDC759 - A2 Manufactured By ZHONGSHAN KEZHUOER ELECTRONIC CO.,LTD.



CAUTION: To Reduce The Risk Of Personal Injury, Use Only The Screws Provided With The Outlet Box.

Warranty

The supplier warrants the fan motor to be free from defects in workmanship and material present at time of shipment from the factory for a period of lifetime after the date of purchase by the original purchaser. The supplier also warrants that all other fan parts, excluding any glass or acrylic blades, to be free from defects in workmanship and material at the time of shipment from the factory for a period of one year after the date of purchase by the original purchaser. We agree to correct such defects without charge or at our option replace with a comparable or superior model if the product is returned. To obtain warranty service, you must present a copy of the receipt as proof of purchase. All costs of removing and reinstalling the product are your responsibility. Damage to any part such as by accident or misuse or improper installation or by affixing any accessories, is not covered by this warranty. Because of varying climatic conditions this warranty does not cover any changes in brass nish, including rusting, pitting, corroding, tarnishing, or peeling. Brass nishes of this type give their longest useful life when protected from varying weather conditions. A certain amount of "wobble" is normal and should not be considered a defect. Servicing performed by unauthorized persons shall render the warranty invalid. There is no other express warranty. Home Decorators Collection hereby disclaims any and all warranties, including but not limited to those of merchantability and fitness for a particular purpose to the extent permitted by law. The duration of any implied warranty which cannot be disclaimed is limited to the time period as specified in the express warranty. Some states do not allow a limitation on how long an implied warranty lasts, so the above limitation may not apply to you. The retailer shall not be liable for incidental, consequential, or special damages arising out of or in connection with product use or performance except as may otherwise be accorded by law. Some states do not allow the exclusion of incidental or consequential damages, so the above exclusion or limitation may not apply to you. This warranty gives specific legal rights, and you may also have other rights which vary from state to state. This warranty supersedes all prior warranties. Shipping costs for any return of product as part of a claim on the warranty must be paid by the customer.

Contact the Customer Service Team at 1-800-986-3460 or visit HOMEDEPOT.COM/HOMEDECORATORS

Pre-Installation

SPECIFICATIONS

Size	Speed	Volts	Amps	Watts	RPM	CFM	Net Weight	Gross Weight	Cube Feet
52"	1	120	0.06	3.26	61	1957	18.06 lbs. (8.2 kg)	22.03 lbs. (10.0 kg)	2.74 cu.ft.
	2		0.07	4.45	80	2665			
	3		0.10	6.51	101	3175			
	4		0.18	11.9	130	4382			
	5		0.29	21.0	160	5310			
	6		0.45	31.9	180	5962			

Size	Speed	Volts	Amps	Watts	RPM	CFM	Net Weight	Gross Weight	Cube Feet
56"	1	120	0.07	3.84	61	2481	18.06 lbs. (8.2 kg)	22.03 lbs. (10.0 kg)	2.74 cu.ft.
	2		0.09	5.68	81	3300			
	3		0.14	8.98	102	4049			
	4		0.25	17.4	130	5153			
	5		0.45	32.5	160	6437			
	6		0.59	43.5	171	7286			



NOTE: These are approximate measures. They do not include the Amps and Wattage used by the light kit.

Pre-Installation (continued)

TOOLS REQUIRED



Phillips screwdriver



Flat blade screwdriver



Adjustable wrench



Electrical tape



Wire cutter / Stripper



Step ladder

HARDWARE INCLUDED



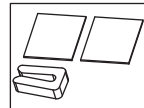
NOTE: Hardware not shown to actual size.



BB



CC

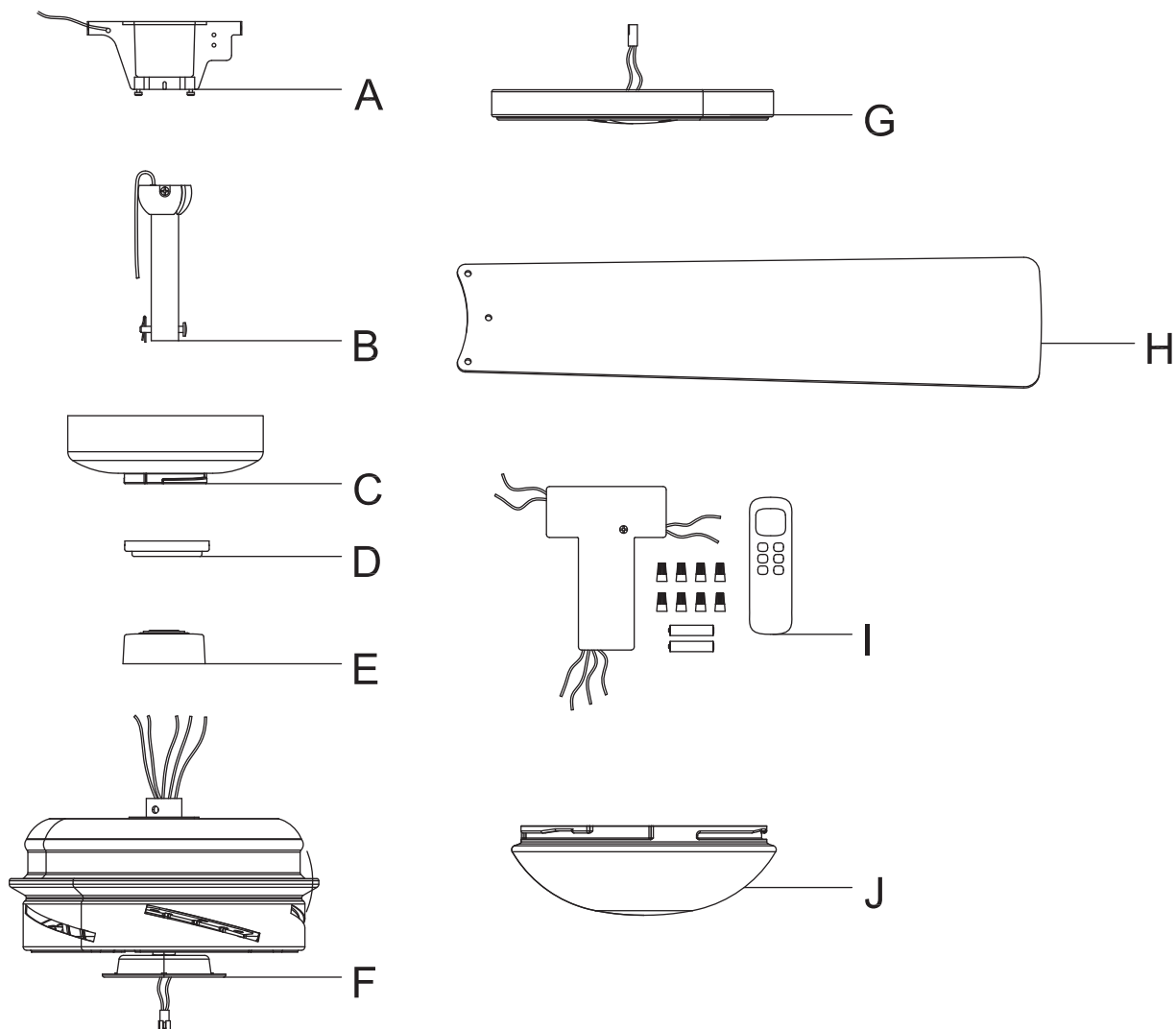


DD

Part	Description	Quantity
BB	Blade Attachment Screw M5	16
CC	Paper Washer	16
DD	Balance Kit	1

Pre-Installation (continued)

PACKAGE CONTENTS



Part	Description	Quantity
A	Mounting bracket	1
B	Ball/downrod assembly	1
C	Canopy	1
D	Canopy ring	1
E	Decorative motor collar cover	1

Part	Description	Quantity
F	Fan-motor assembly	1
G	Light kit fitter assembly	1
H	Blade	5
I	Remote control & Receiver assembly & include 8 plastic wire nuts and 2 batteries	1
J	Glass Shade	1



IMPORTANT: This product and/or components are governed by one or more of the following U.S. Patents: 5,947,436; 5,988,580; 6,010,110; 6,046,416, 6,210,117 and other patents pending.

Installation

MOUNTING OPTIONS



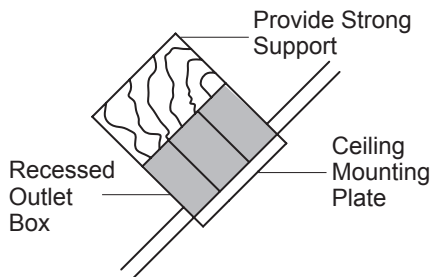
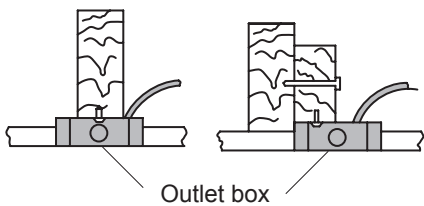
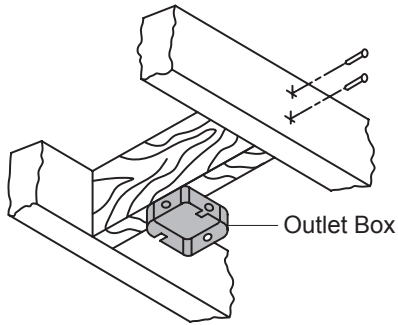
WARNING: To reduce the risk of fire, electric shock, or personal injury, mount the fan to an outlet box marked "acceptable for fan support of 35 lbs. (15.9kg) or less", and use the screws provided with the outlet box. An outlet box commonly used for the support of lighting fixtures may not be acceptable for fan support and may need to be replaced. If in doubt, consult a qualified electrician.

If your ceiling fan does not have an existing UL-listed mounting box, then install one using the following instructions:

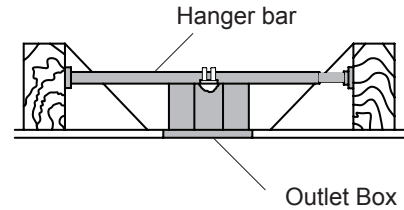
- Disconnect the power by removing the fuses or turning off the circuit breakers.
- Secure the outlet box (not included) directly to the building structure.

Use the appropriate fasteners and materials (not included). The outlet box and its bracing must be able to fully support the weight of the moving fan (at least 35 lbs.). Do not use a plastic outlet box.

The illustrations below show three different ways to mount the outlet box.



NOTE: You may need a longer downrod to maintain proper blade clearance when installing on a steep, sloped ceiling. The maximum angle allowable is 30° away from horizontal.



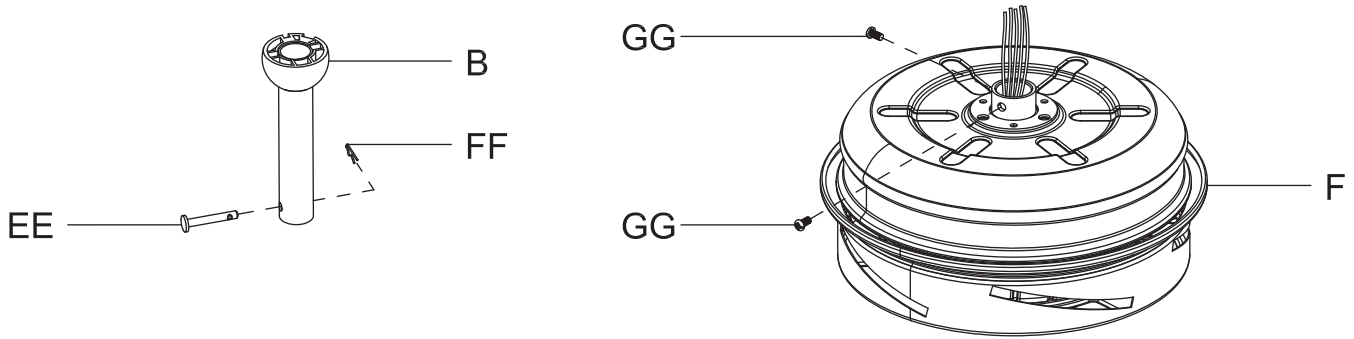
If the canopy touches the downrod, then remove the decorative canopy bottom cover and turn the canopy 180° before attaching the canopy to the mounting plate.

To hang your fan where there is an existing fixture but no ceiling joist you may need an installation hanger bar as shown above (available at any Home Depot store).

Assembly - Standard Ceiling Mount

1 Preparing for routing the wires

- Remove the hitch pin (EE) and lock pin (FF) from the downrod (B).
- Loosen the two set screws (GG) from the fan motor assembly (F) coupling.



2 Routing the wires and assembling the fan

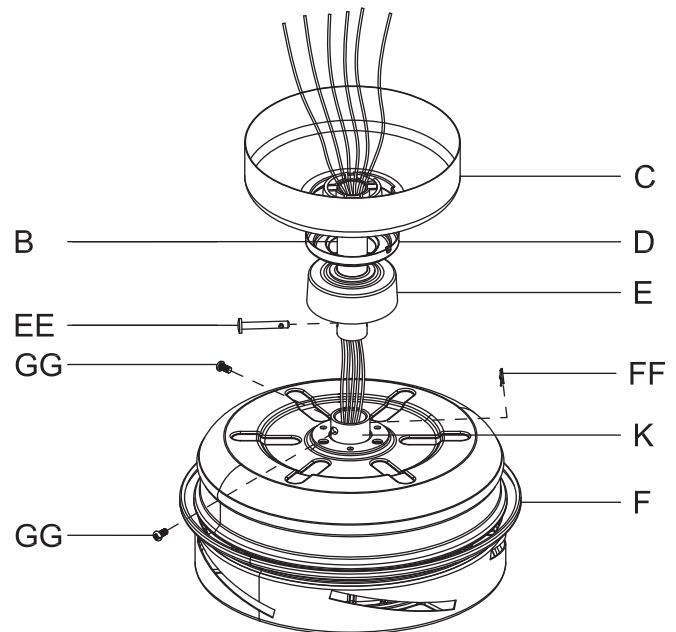


CAUTION: To ensure wobble-free operation and to avoid damage to the fan, the downrod (B) and the setscrew (II) must be completely tightened

- Insert the ball/downrod (B) through the canopy (C) and--- and canopy ring (D) and slide the decorative motor collar cover (E) onto the end of the ball/downrod (B). Make sure the slots on the canopy (C) are on top.
- Route the wires exiting the top of the fan motor assembly (F) through the downrod as shown.
- Carefully insert the hanger pin (EE) through the holes in the collar (K) and downrod (B). Be careful not to jam the hanger pin (FF) against the wiring inside the downrod (B).
- Insert the locking pin (FF) through the hole near the end of the hanger pin (EE) until it snaps into its locked position.
- Reinstall the setscrew (GG) turning clockwise until tight.



WARNING: Failure to properly install the locking pin could result in the fan becoming loose and possibly falling.



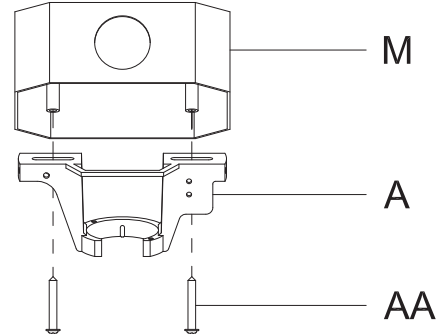
Assembly - Hanging the Fan

3 Attaching the fan to the electrical box



WARNING: To reduce the risk of fire, electric shock, or other personal injury, mount the fan to an outlet box or supporting system marked acceptable for fan support and use the mounting screws provided with the outlet box.

- Pass the 120-Volt supply wires through the center hole in the mounting bracket (A).
- Install the ceiling mounting plate on the outlet box by the mounting bracket (A) over the two screws (AA) provided with the outlet box (M). If necessary, use leveling washers (not included) between the mounting bracket (A) and the outlet box. Note that the flat side of the mounting bracket (A) is toward the outlet box.
- Securely tighten the two mounting screws (AA) (not included).



4 Hanging the fan

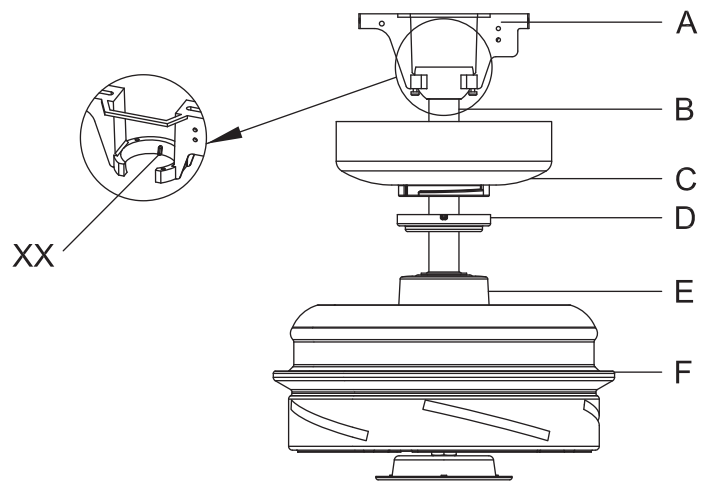


WARNING: The hook (XX) is only to balance the fan while it may result in the hook (XX) breaking, causing the fan to fall. The hook must pass from the inside to the outside of the canopy.



WARNING: When hanging the fan on the hook (XX) it is critical that you use one of the non-slotted (round) holes in the canopy (C).

- Carefully lift the fan-motor assembly (F) up to the slide-on mounting bracket (A).
- Insert the ball portion of the ball/downrod assembly into the socket of the slide-on mounting bracket (A).
- Turn the ball/downrod assembly clockwise until it is seated with the tab of the slide-on mounting bracket (A) aligned with the slot in the ball.



Assembly -Hanging the Fan (continued)

5 Making the electrical connections



WARNING: To avoid possible electrical shock, ensure the electricity is turned off at the main fuse box before wiring.



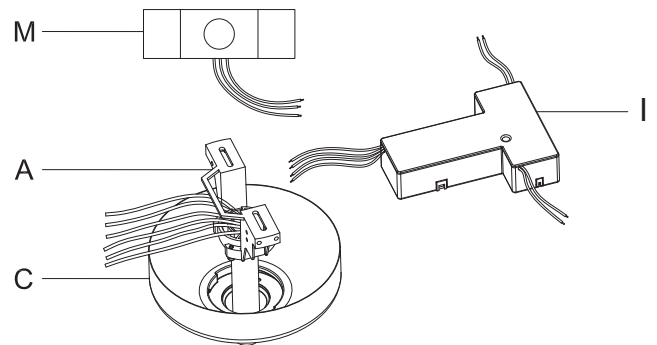
WARNING: To avoid possible electrical shock, ensure the electricity is turned off at the circuit breaker or main fuse box before wiring.



WARNING: Check to see that all connections are tight, including the ground, and that no bare wire is visible at the wire nuts, except for the ground wire.



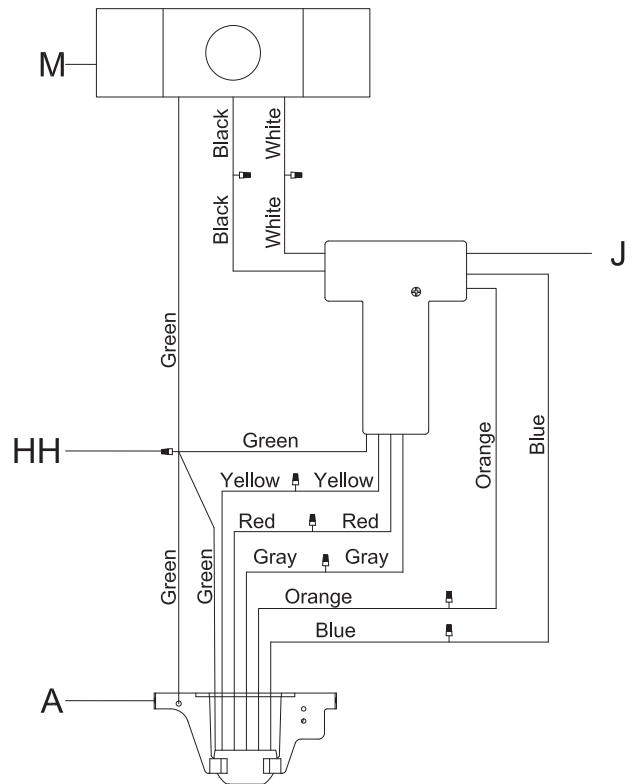
NOTE: Cut the extra wire, if you feel the excess wire too long, then follow the step connect wire.



Insert the receiver (I) into the mounting bracket (A) with the flat side of the receiver (I) facing the ceiling.

Follow the steps below to connect the fan to your house supply wires. Secure the wire nuts supplied with your fan by wrapping the connections with electrical tape.

- **Motor to Receiver Electrical Connections:**
Connect the **ORANGE** wire from the fan to the **ORANGE** wire marked "Light +" from the Receiver.
Connect the **BLUE** wire from the fan to the **BLUE** wire marked "Light -" from the Receiver.
Connect the **YELLOW** wire from the fan to the **YELLOW** wire marked "V" from the Receiver.
Connect the **RED** wire from the fan to the **RED** wire marked "U" from the Receiver.
Connect the **GREY** wire from the fan to the **GREY** wire marked "W" from the Receiver.
- **Receiver to House Supply Wires Electrical connections:** Connect the **WHITE** wire (Neutral) from the outlet box to the **WHITE** wire marked "POWER N" from the Receiver. Connect the **BLACK** wire (Hot) from the outlet box to the **BLACK** wire marked "POWER L" from the Receiver.
- If your outlet box has a **GROUND** wire (Green or Bare Copper), connect this wire to the Hanger Ball and Hanger Bracket and receiver Ground wires. If your outlet box does not have a Ground Wire, then connect the Hanger Ball and Hanger Bracket and Receiver Ground Wire together.
- Secure wire connection with the plastic P2 wire nuts (HH) provided.
- After all splices are made, check to make sure there are no loose strands.



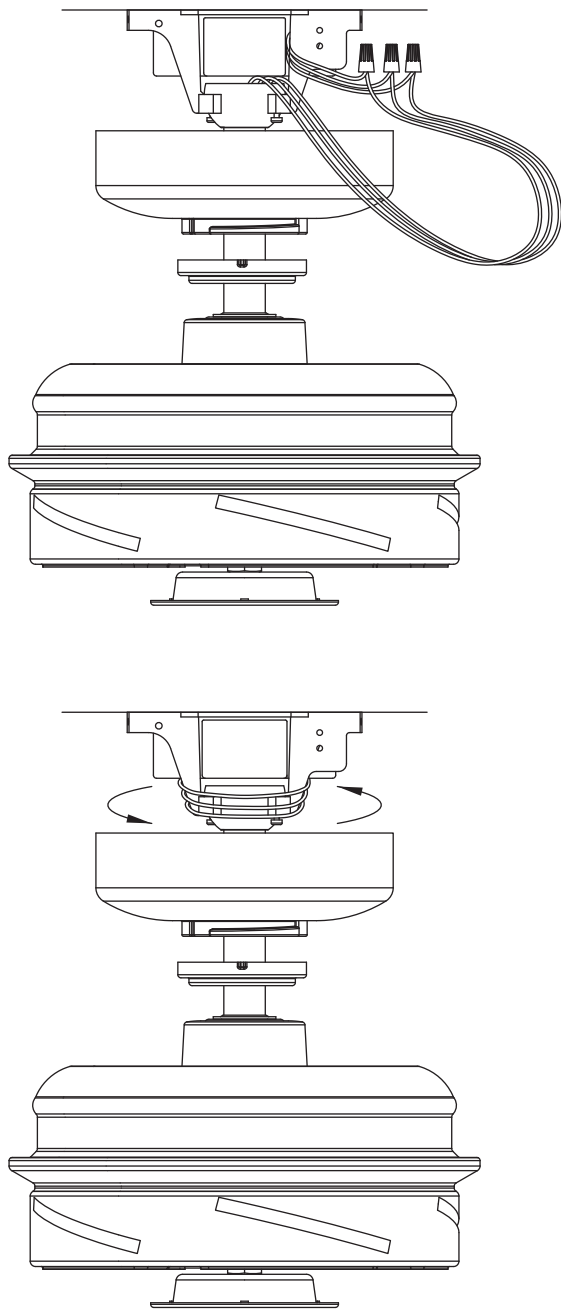
Assembly -Hanging the Fan (continued)

6 Wrapping the extra wire



NOTE: Follow this step ONLY if you did not cut the extra length off from the wires coming from the ceiling fan.

- Gently wrap the excess wire around the mounting bracket.
- Secure with electrical tape.

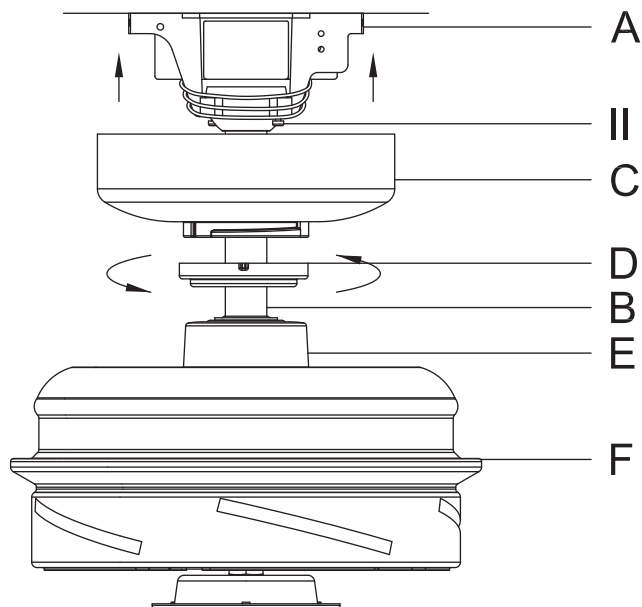


7 Mounting the fan-motor assembly (standard mount)



WARNING: When using the standard ball/downrod mounting, the tab in the ring at the bottom of the mounting bracket must rest in the groove of the hanger ball. Failure to properly seat the tab in the groove could cause damage to the wiring.

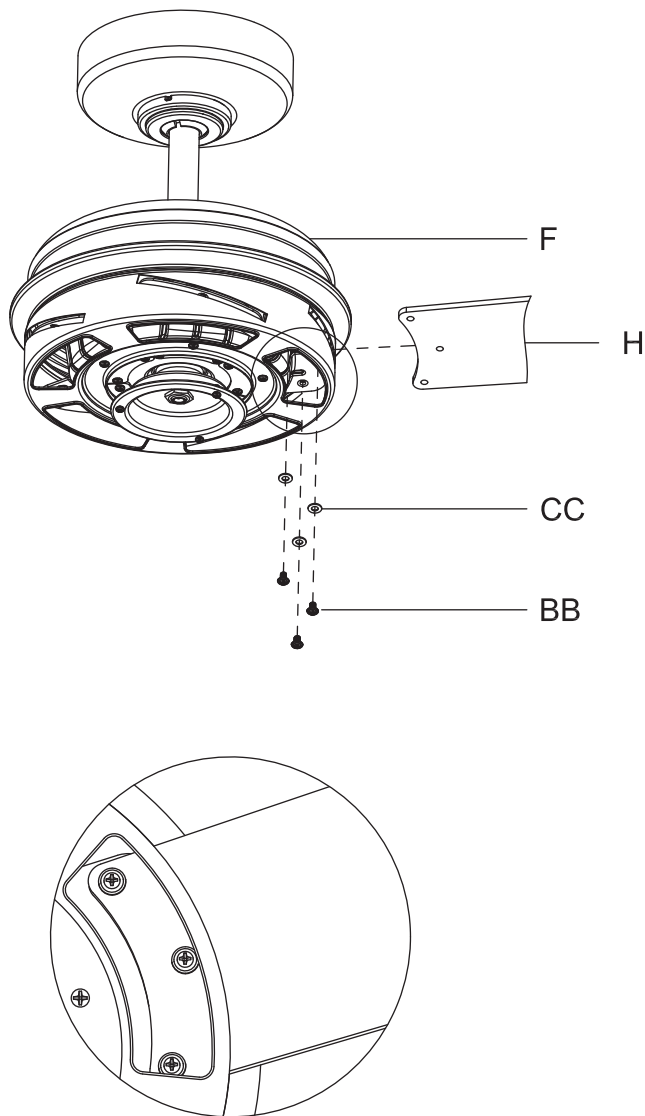
- Align the locking slots of the canopy with two screws (II) in the mounting bracket (A). Push up to engage the slots and turn clockwise to lock in place.
- Firmly tighten the two screws (II).
- Install the decorative bottom cover (D) by aligning the cover's slots with the screws in the bottom of the canopy (C). Rotate the bottom cover clockwise to lock in place.



Assembly - Attaching the Fan Blades

8 Fastening the blade assemblies to the motor

- Fasten the blade assembly to the motor (F) by inserting the alignment post into the slot on the bottom of the motor and tightening the blade bracket (BB) screws and lockwasher (CC).
- Repeat this step for the remaining blade assemblies.

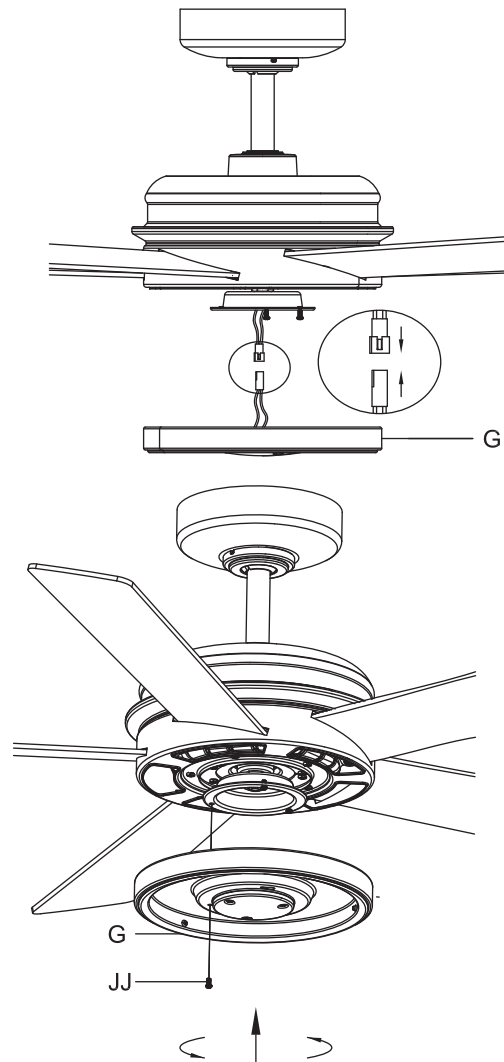


9 Attaching the light kit fitter assembly



CAUTION: To reduce the risk of electric shock, disconnect the electrical supply circuit to the fan before installing the light fixture.

- Remove one of the three screws (JJ) and left two screws on the switch cup cover of the light kit fitter assembly and loosen, but do not remove, the other two screws.
- Connect the wires from the light kit fitter assembly (G) to the wires from the switch cup of the fan motor assembly by connecting the molded adaptor plugs together (blue to blue, orange to orange). Carefully tuck all wires and splices in the switch cup.
- Place the key holes from the light kit plate (G) over the two screws (JJ) previously loosened from the light kit fitter assembly. Turn the light kit plate until it locks in place at the narrow section of the key hole. Secure by tightening the two screws (JJ) previously loosened and the one screws (JJ) previously removed.



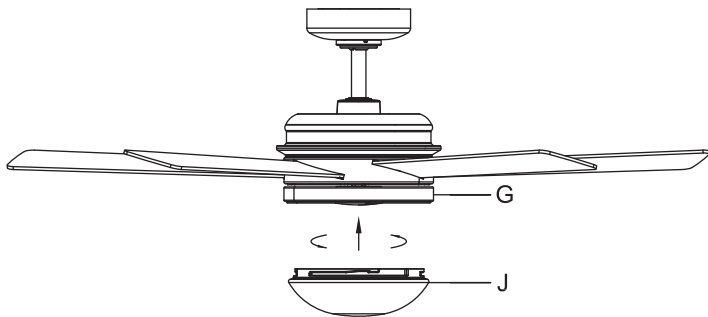
Assembly - Installing the Light Kit

10 Attaching the glass bowl



WARNING: Do not overtighten when installing the shade into the light kit. Allow the shade to cool completely before removing.

- Place the glass bowl (J) into the light kit assembly (G), aligning the three flat areas on the top flange of the glass bowl (J) with the three raised dimples in the light kit assembly (G). Turn the glass bowl (J) clockwise until it stops.



Operation

Installing the batteries

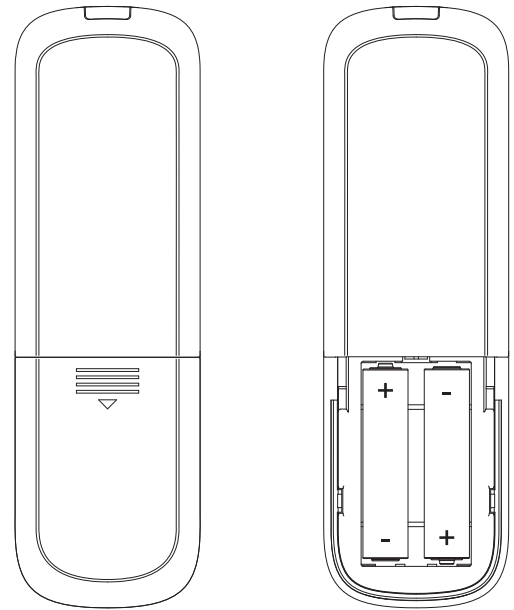


CAUTION: Do not use with a wall light dimmer switch.



NOTE: The battery will weaken with age and should be replaced before leaking takes place as this will damage the remote control. Dispose of used battery properly and keep the battery out of the reach of children.

- Remove the battery cover by pressing on the arrow and sliding the cover off.
- Install two 1.5V AAA batteries (S).
- Replace the battery cover on the remote control.



Learning process




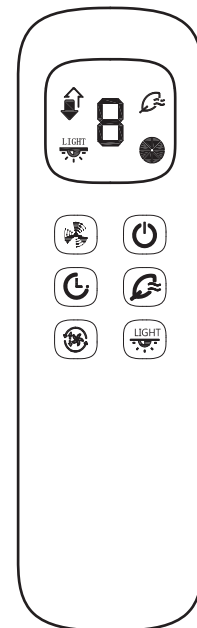
NOTE: After the AC power is on, do not press any other button on the remote control before pressing the "FAN OFF" button. Doing so will cause the procedure to fail.



NOTE: The remote control can learn multiple receivers. Make sure no other receivers are operating during the learning process. Separate the fan power switches by approximately 7 meters.

Should you desire to use another remote control unit with your new fan, install one using the steps below:

- Turn the main power source off to begin the learning process.
- Press and hold the  button for 5 seconds to enter the learning function.
- Return the power to the unit.
- Within 60 seconds of turning the fan's AC power ON, once the receiver has detected the set frequency, the down light of your fan, if applicable, will blink twice. There is no indication if your fan is not equipped with a light.
- A receiver can remember up to three remote controls, when the fourth is used, the first would be deleted.

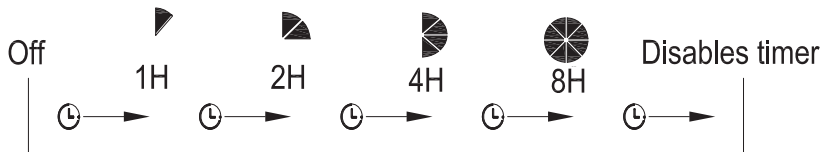


Operation(continued)

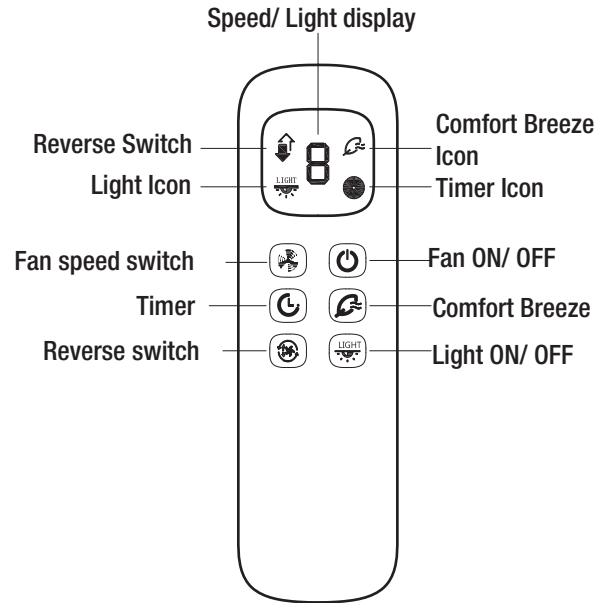


NOTE: The fan has memory function , it will resume the speed setting on the fan prior to the power being turned off. And The LED display will show the function for 4 seconds after the button is released.

1. Fan button. - Press and release the button to turn the fan on or off.
2. Fan button, -Change the fan speed
 - Pressing and releasing the button one time will circularly change speed of the fan, from speed 1 to speed 6 then speed 1.
3. LED button, - To turn the light on or off and dim LED illuminated.
 - Press and release the light button to turn the light on or off.
 - Press and hold the button more than 2 seconds will increases the light level (Dimmer), light level sequence has been set from Low(“L” show on the LED display) to Middle (“Π” show on the LED display) to High(“H”show on the LED display) then Low(“L” show on the LED display) .
 - When the light level set “L” will be approximately 33% illuminated. When the light level set “Π” will be approximately 80% illuminated. When the light level set “H” will be approximately 100% illuminated.
4. Fan button. - Press and release the button will activate the Comfort Breeze mode or off the Comfort Breeze mode.
 - When pressing button will increase the speed the fan, from speed 1 to speed 6 then decrease the speed of the fan to speed 1, in 24 seconds.
5. Fan button. - Press and release the button will automatically turn fan and light (if light is on) off after 1,2, 4, or 8 hours. When you activate the timer mode, the LED display will show the time icon.



6. Fan button. - Press and release the button wil change airflow direction (Must be pushed when the fan is in operation)
 - Warm weather - (Forward) A downward airflow creates a cooling effect. This allows you to set your air conditioner on a higher setting without affecting your comfort.
 - Cool weather - (Reverse) An upward airflow moves warm air off of the ceiling. This allows you to set your heating unit on a lower setting without affecting your comfort.



Care and Cleaning

Do

- Check the support connections, brackets, and blade attachments twice a year. Ensure they are secure. Because of the fan's natural movement, some connections may become loose over time. It is not necessary to remove the fan from the ceiling.
- Clean your fan periodically. Use only a soft brush or lint-free cloth to avoid scratching the finish. The plating is sealed with a lacquer to minimize discoloration or tarnishing.
- (Optional) Apply a light coat of furniture polish to the wood blades.
- (Optional) Cover small scratches with a light application of shoe polish.

Do not

- Do not use water when cleaning. Water could damage the motor, or the wood, or possibly cause an electrical shock.
- Do not apply oil to your fan or motor. The motor has permanently-lubricated sealed ball bearings.

Troubleshooting

Problem	Solution
The fan will not start.	<ul style="list-style-type: none"><input type="checkbox"/> Check the main and branch circuit fuses or breakers.<input type="checkbox"/> Check the line wire connections to the fan and switch wire connections in the switch housing.<input type="checkbox"/> Check the battery in the remote control.<input type="checkbox"/> Ensure you are in the normal range of 10-20 feet.<input type="checkbox"/> Remember to turn off the power supply before checking the dip switch settings.
The fan is noisy.	<ul style="list-style-type: none"><input type="checkbox"/> Ensure all motor housing screws are snug.<input type="checkbox"/> Ensure the screws that attach the fan blade bracket to the motor hub are tight.<input type="checkbox"/> Ensure the wire nut connections are not rattling against each other or the interior wall of the switch housing.<input type="checkbox"/> Allow a 24-hour “breaking in” period. Most noises associated with a new fan disappear during this time.<input type="checkbox"/> If you are using the Ceiling Fan light kit, ensure the screws securing the glassware are tight. Check that the light bulbs are also secure.<input type="checkbox"/> Ensure the canopy is a short distance from the ceiling. It should not touch the ceiling.<input type="checkbox"/> Ensure your outlet box is secure and rubber isolator pads were used between the mounting plate and outlet box.
The fan wobbles.	<ul style="list-style-type: none"><input type="checkbox"/> Check that all blade and blade arm screws are secure.<input type="checkbox"/> Most fan wobble problems are caused when blade levels are unequal. Check this level by selecting a point on the ceiling above the tip of one of the blades. Measure from a point on the center of the blade to the point on the ceiling. Rotate the fan until the next blade is positioned for measurement, and measure from the same point on each blade to the ceiling. Repeat for each blade. Any measurement deviation should be within 1/8 in. Run the fan for ten minutes. If the fan continues to wobble please contact Customer Service and a balancing kit will be sent to you at no charge.