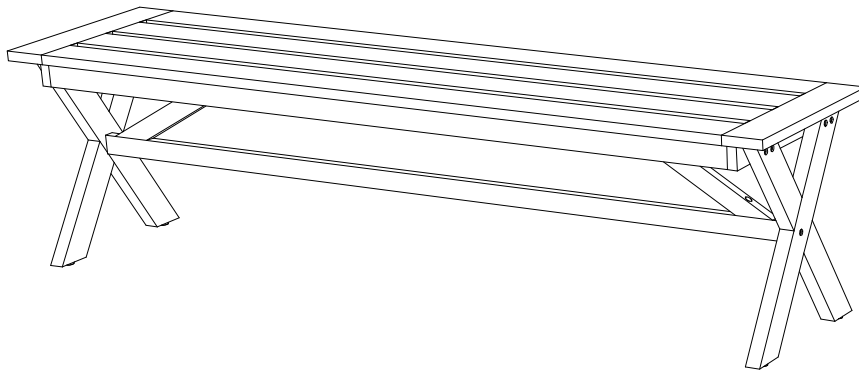


Sunjoy Picnic 3PC Cross-leg Set- Bench

Item No.: 110202031



WE HAVE YOU IN MIND, LET US SERVE YOU!

Questions? Issues?

CONTACT US

24 hours / 7 days a week



www.sunjoyonline.com

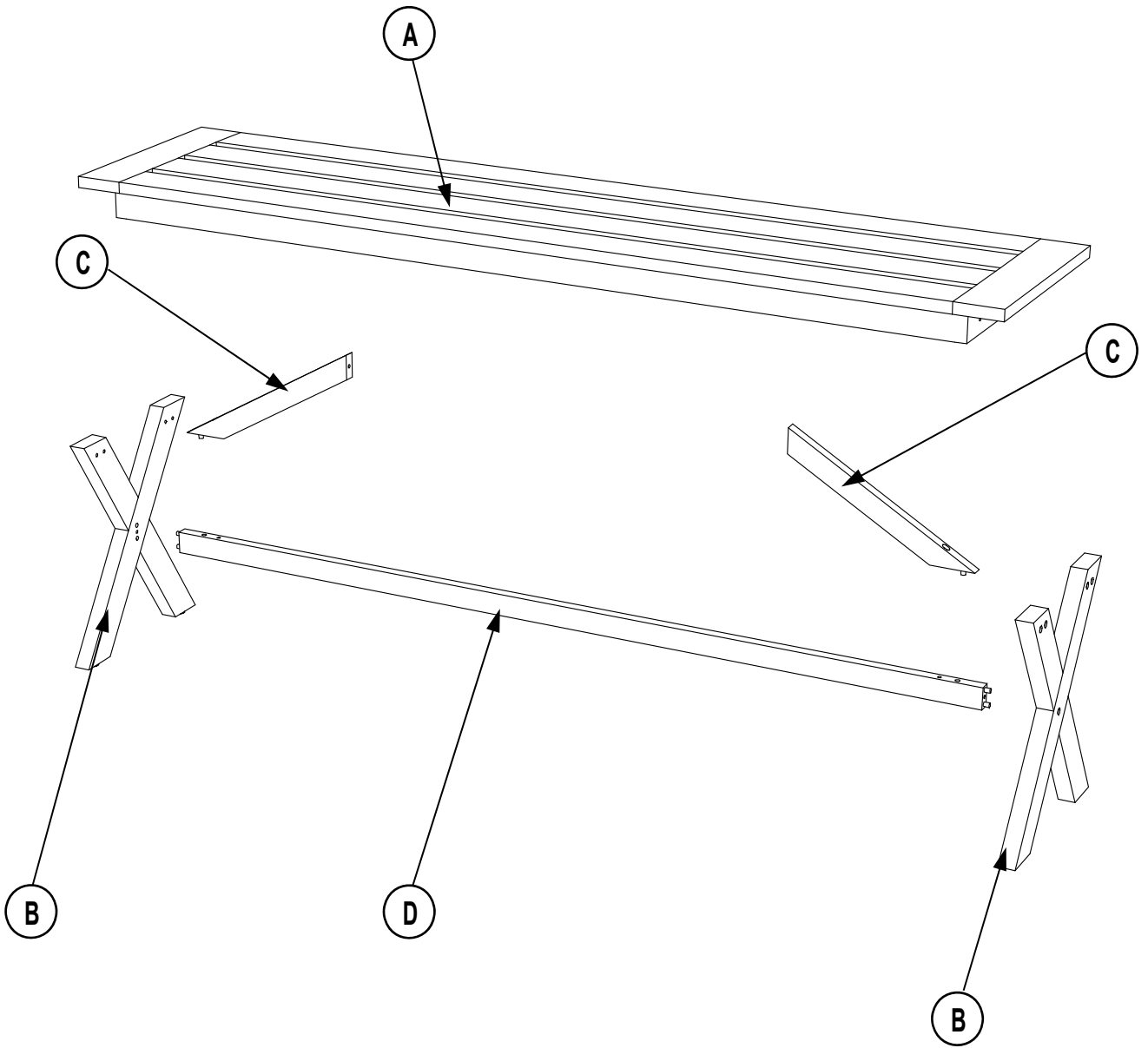


Customer.care@sunjoygroup.com



1-(866)-578-6569





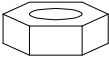
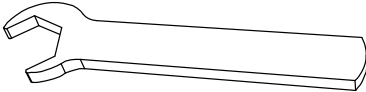



Exploded Drawing



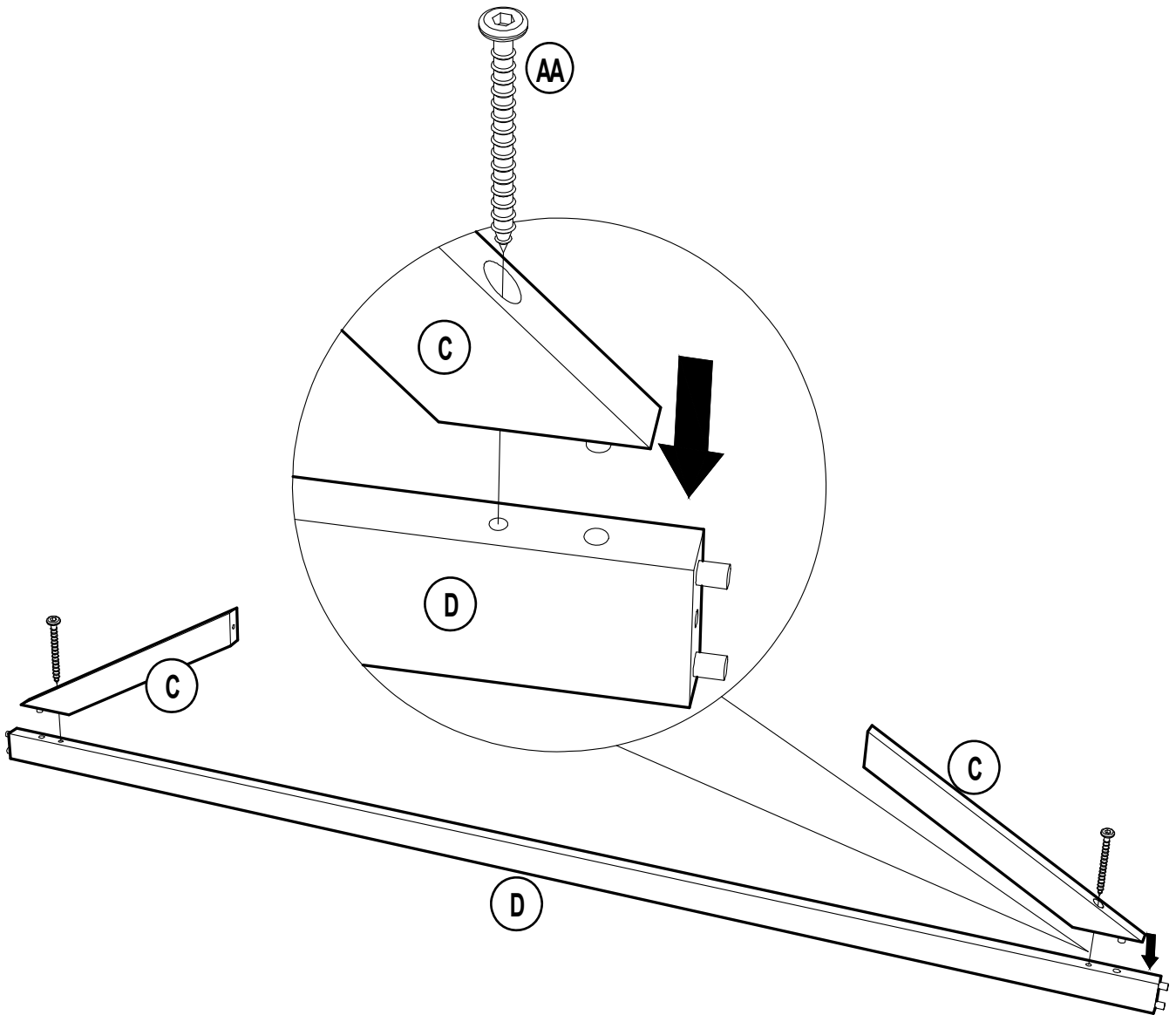
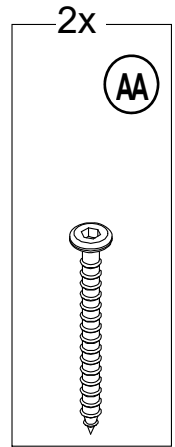
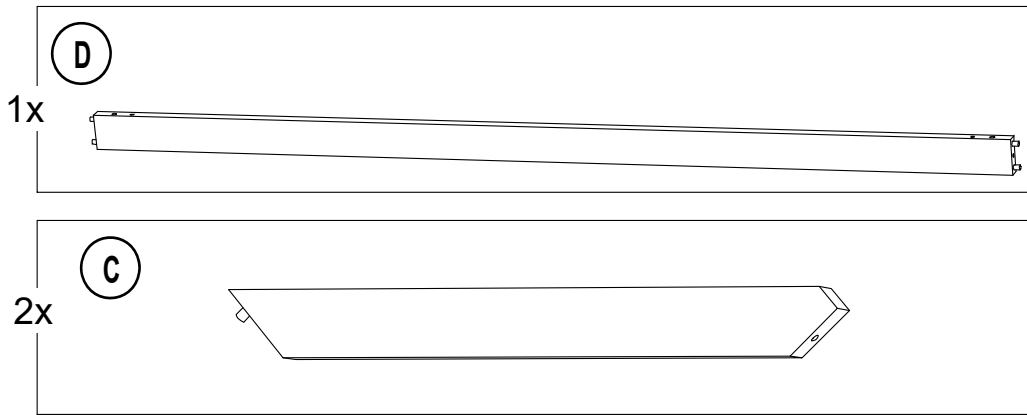
Parts List

Label	Part Number	Description	Qty	Part Image
A	P30249A10000	Seat	1	
B	P80122A10000	Leg	2	
C	P82025A10000	Support Plate (Slanting)	2	
D	P82026A10000	Support Plate (Across)	1	

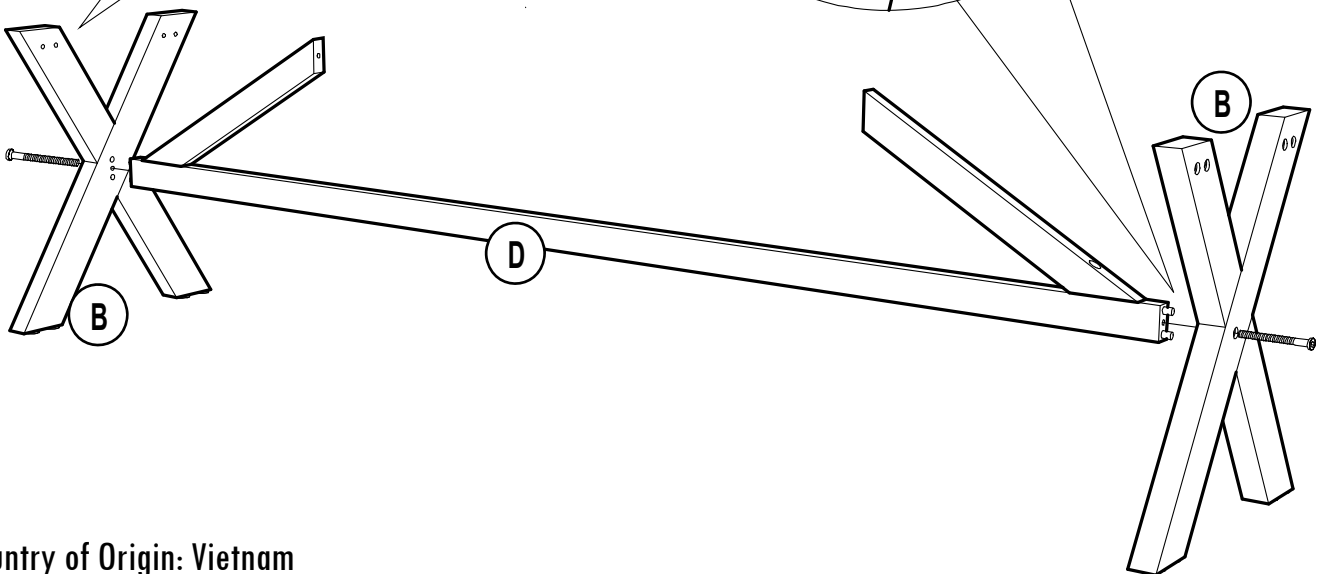
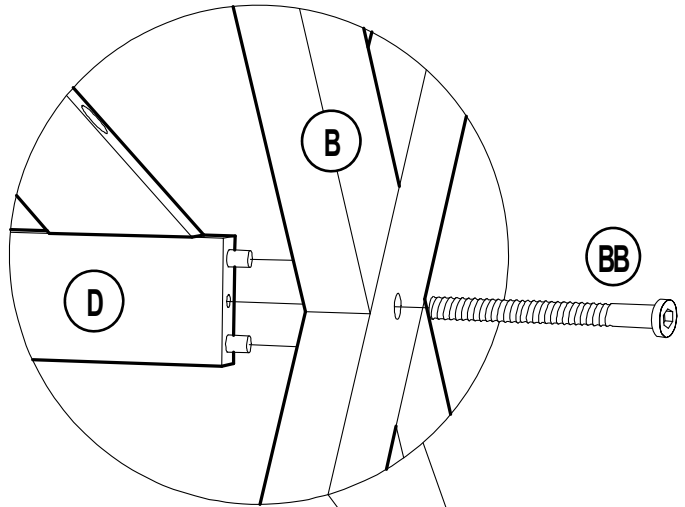
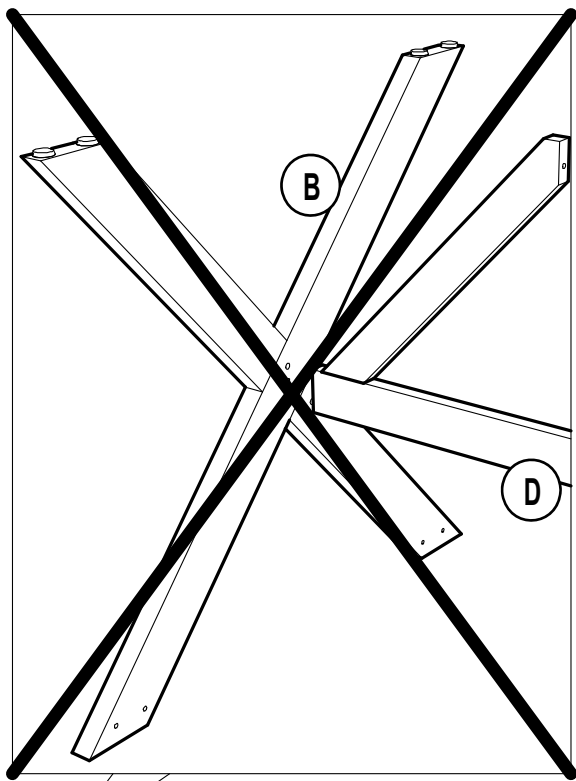
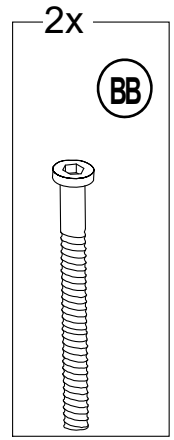
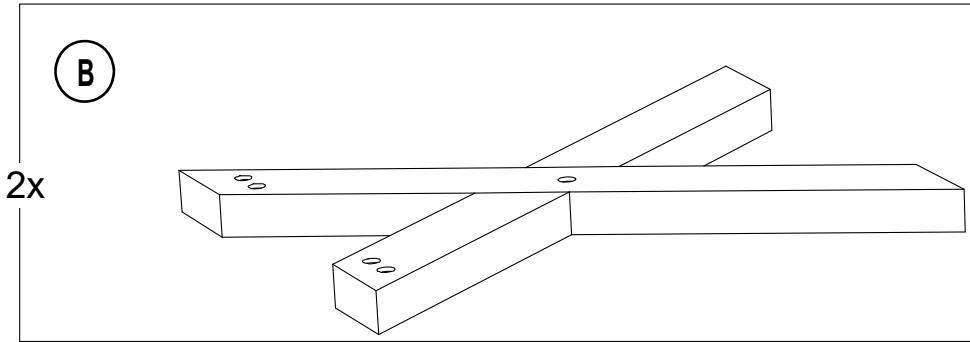
Hardware Pack

Label	Part Number	Description	Qty	Part Image
AA	H08060Q12	Screw ST5.5*60	2	
BB	H06070C12	Bolt M6*70	2	
CC	H06060C12	Bolt M6*60	8	
DD	H12001C12	Flat Washer M6	8	
EE	H14001C12	Nut M6	8	
FF	H00001C12	Wrench M6	1	
GG	H06040C12	Bolt M6*40	2	
HH	H00002C12	Allen Key Size 4	1	
II	P90404A10000	Dowel Ø8*30 (Pre-Assembled on C,D)	6	

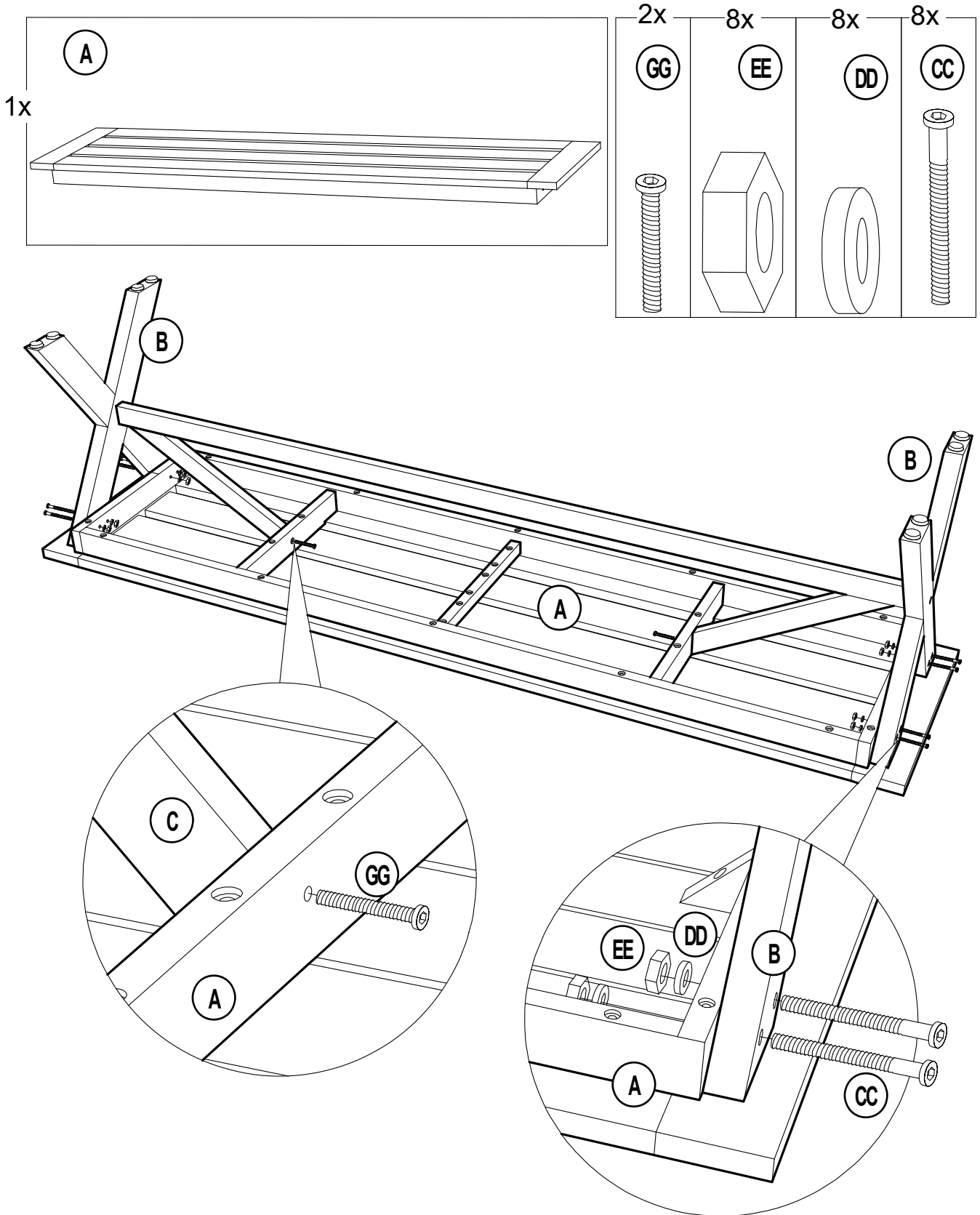
Step 1



Step 2



Step 3



CARE AND MAINTENANCE

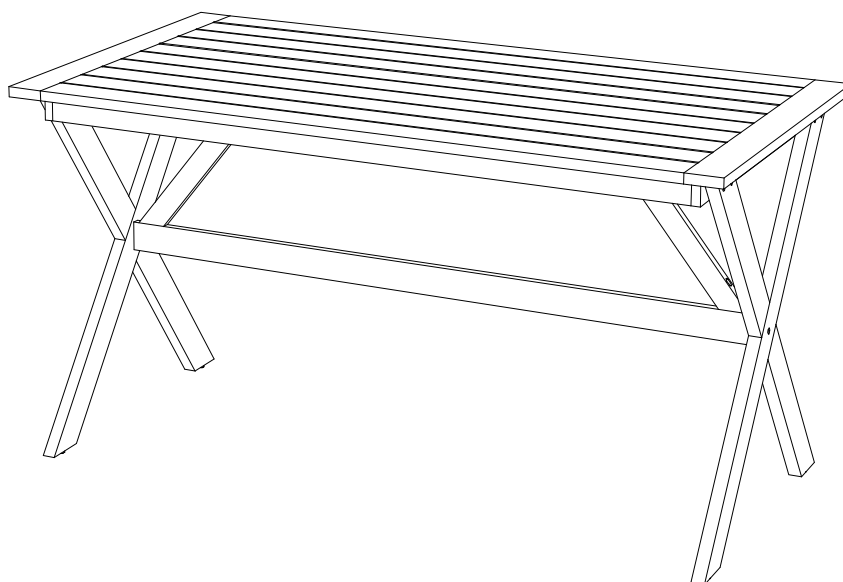
- Before using, clean the product completely with a soft, dry towel. When not in use, wipe free of any dirt or loose objects, wash with a mild solution of soap and water; rinse thoroughly and dry completely.
- Do not use strong detergent or abrasive cleaners.
- Moisture and heat can damage any wood finish. Protect your furniture by using coasters and trivets. Always wipe up moisture promptly and dry with a soft cloth.
- Avoid dragging sharp or rough objects across the surface of your wood furniture. Use adhesive felt pads, trivets, coasters and placemats to help prevent scratches.
- Avoid direct contact with rubber bumpers and candle wax as it may react with the wood's finish and leave a stain.
- Wood will expand and contract with seasonal humidity changes. Maintain consistent humidity levels to minimize movement in the wood and prevent warping.
- Over time, air and sunlight will change the color of natural wood. Occasionally rotate the items placed on your wood furniture to allow a more uniform color to develop. Expose table to the same amount of air and sunlight as your table.
- Care for your wood furniture according to its finish.
- Clean with damp cloth whenever necessary.
- Periodically check and ensure that all bolts are well tighten during use.

ONE-YEAR LIMITED WARRANTY

This limited warranty is extended to the original purchaser and applies to defects in material, and workmanship of your item provided. The item is maintained with care and used only for personal, residential purposes. The manufacturer warrants that this item is free from defects in material and workmanship for a period of one year. If any defect is found, please call our customer service department at 1-866-578-6569 or email to customer.care@sunjoygroup.com for help. The manufacturer will not cover transportation or delivery costs or compensate the individual or any outside party for assembling or disassembling the product.

Sunjoy Picnic 3PC Cross-leg Set-Table

Item No.: 110202031



WE HAVE YOU IN MIND, LET US SERVE YOU!

Questions? Issues?

CONTACT US

24 hours / 7 days a week



www.sunjoyonline.com

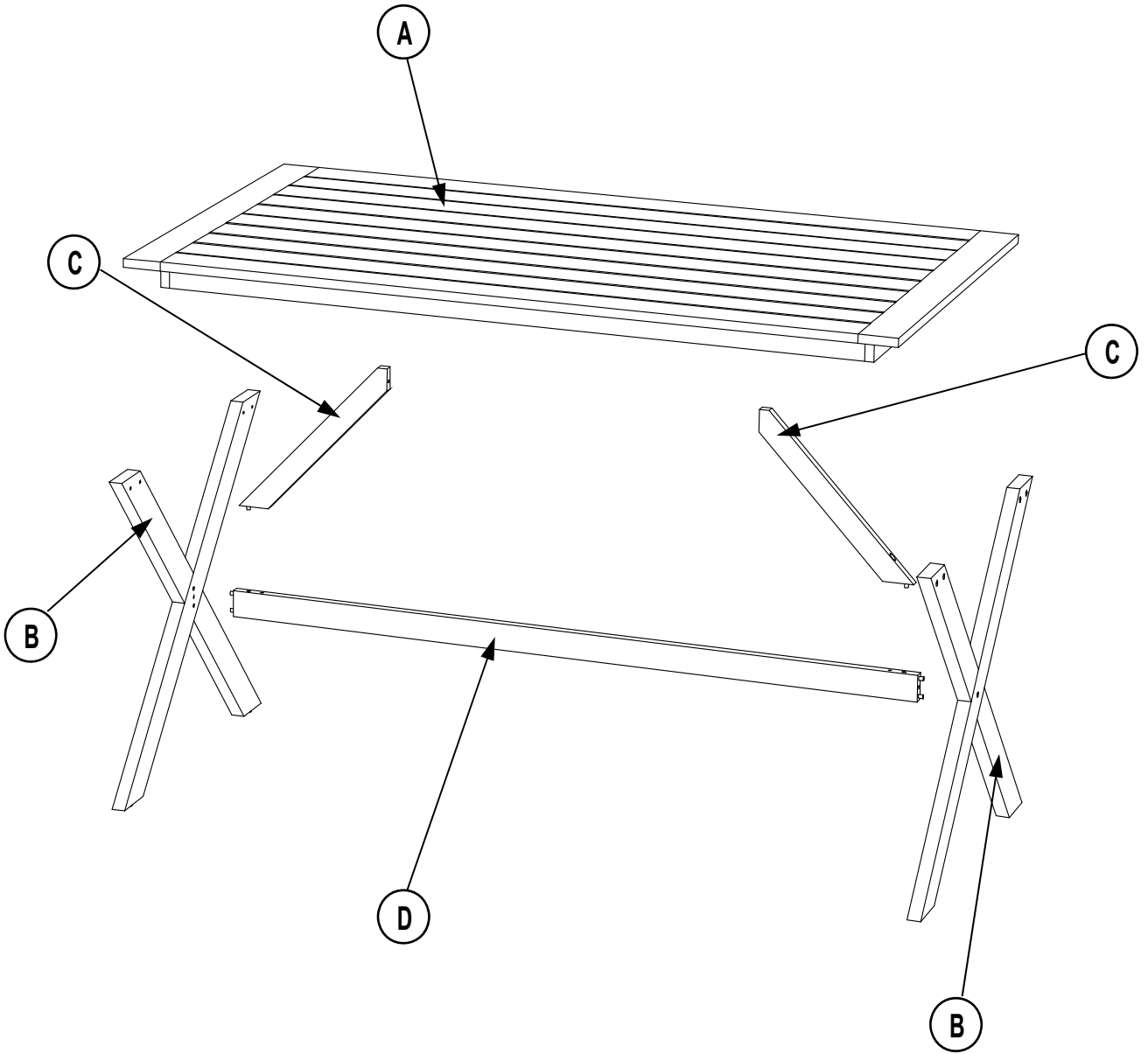


Customer.care@sunjoygroup.com



1-(866)-578-6569

Exploded Drawing

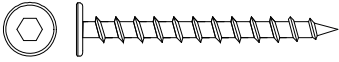



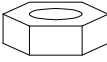
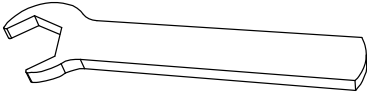





Country of Origin: Vietnam

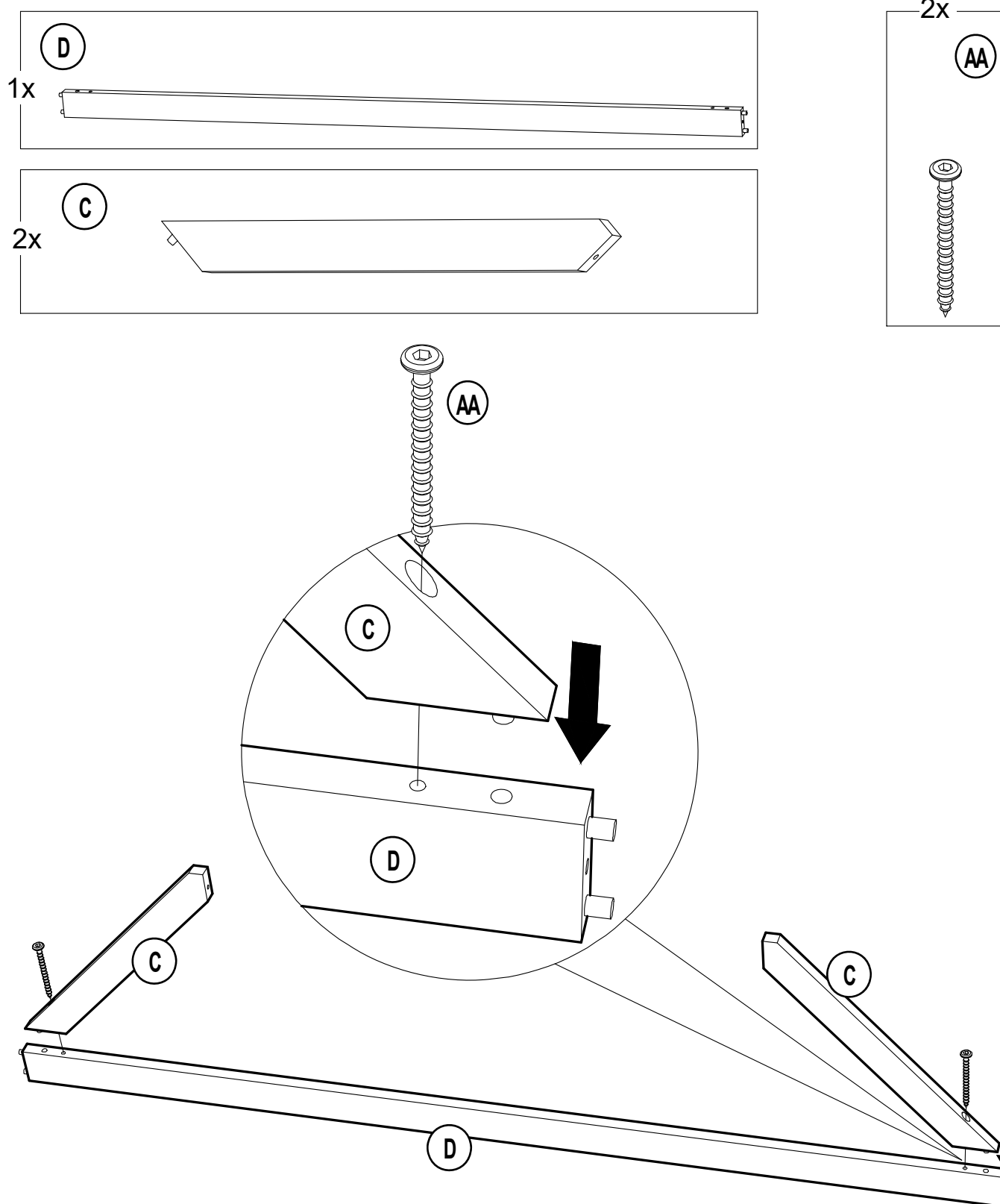
Parts List

Label	Part Number	Description	Qty	Part Image
A	P80437A10000	Top Table	1	
B	P80121A10000	Leg	2	
C	P82023A10000	Support Plate (Slanting)	2	
D	P82024A10000	Support Plate (Across)	1	

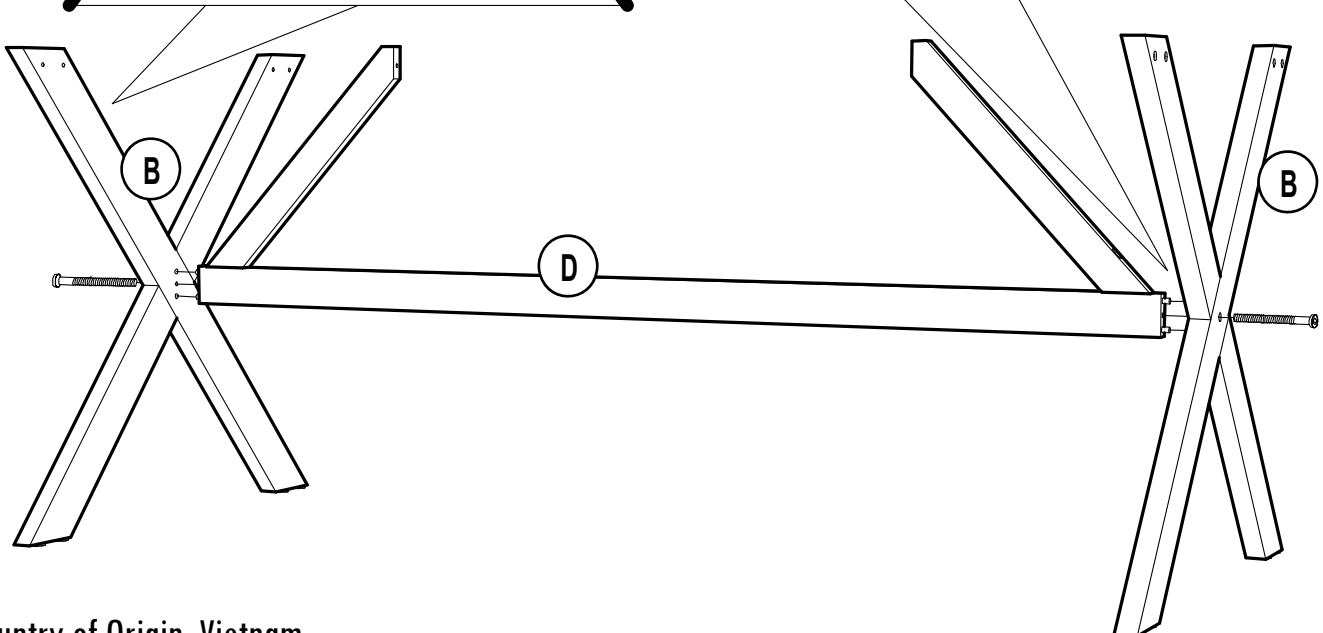
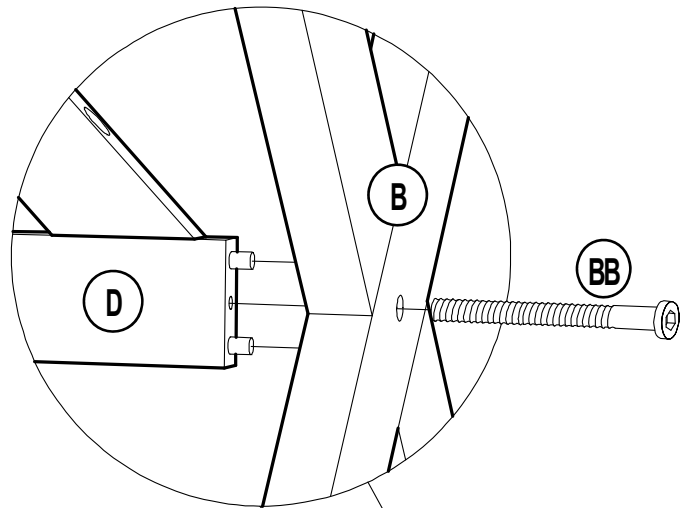
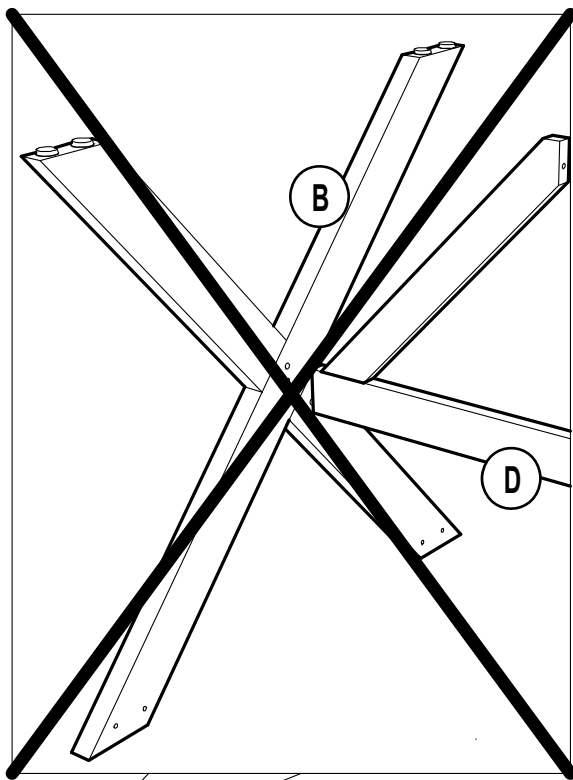
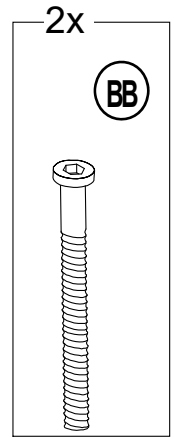
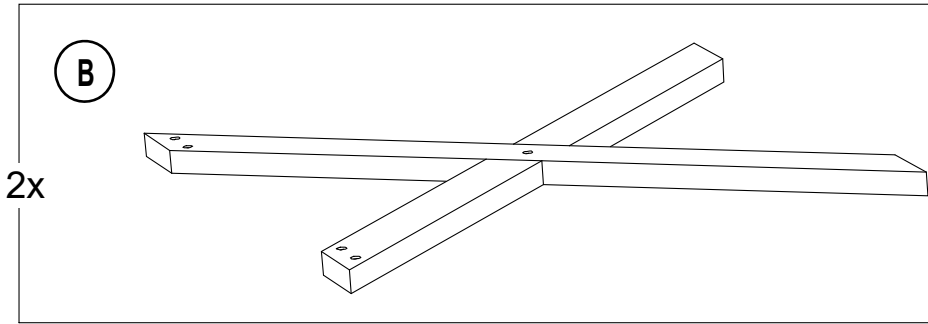
Hardware Pack

Label	Part Number	Description	Qty	Part Image
AA	H08060Q12	Screw ST5.5*60	2	
BB	H06070C12	Bolt M6*70	2	
CC	H06060C12	Bolt M6*60	8	
DD	H12001C12	Flat Washer M6	8	
EE	H14001C12	Nut M6	8	
FF	H00001C12	Wrench M6	1	
GG	H06040C12	Bolt M6*40	2	
HH	H00002C12	Allen Key Size 4	1	
II	P90404A10000	Dowel Ø8*30 (Pre-Assembled on C,D)	6	

Step 1

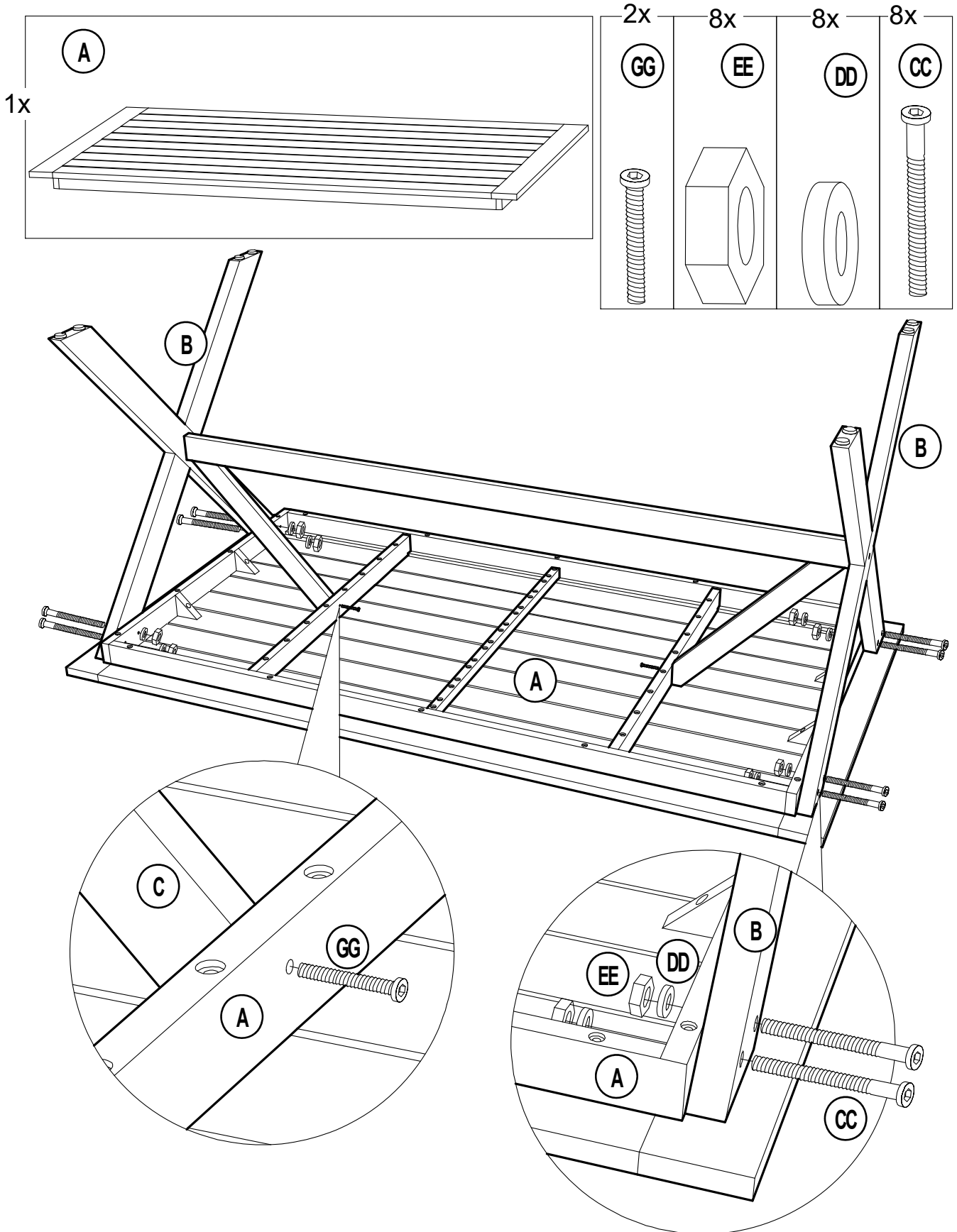


Step 2



Country of Origin: Vietnam

Step 3



Country of Origin: Vietnam

CARE AND MAINTENANCE

- Before using, clean the product completely with a soft, dry towel. When not in use, wipe free of any dirt or loose objects, wash with a mild solution of soap and water; rinse thoroughly and dry completely.
- Do not use strong detergent or abrasive cleaners.
- Moisture and heat can damage any wood finish. Protect your furniture by using coasters and trivets. Always wipe up moisture promptly and dry with a soft cloth.
- Avoid dragging sharp or rough objects across the surface of your wood furniture. Use adhesive felt pads, trivets, coasters and placemats to help prevent scratches.
- Avoid direct contact with rubber bumpers and candle wax as it may react with the wood's finish and leave a stain.
- Wood will expand and contract with seasonal humidity changes. Maintain consistent humidity levels to minimize movement in the wood and prevent warping.
- Over time, air and sunlight will change the color of natural wood. Occasionally rotate the items placed on your wood furniture to allow a more uniform color to develop. Expose table to the same amount of air and sunlight as your table.
- Care for your wood furniture according to its finish.
- Clean with damp cloth whenever necessary.
- Periodically check and ensure that all bolts are well tighten during use.

ONE-YEAR LIMITED WARRANTY

This limited warranty is extended to the original purchaser and applies to defects in material, and workmanship of your item provided. The item is maintained with care and used only for personal, residential purposes. The manufacturer warrants that this item is free from defects in material and workmanship for a period of one year. If any defect is found, please call our customer service department at 1-866-578-6569 or email to customer.care@sunjoygroup.com for help. The manufacturer will not cover transportation or delivery costs or compensate the individual or any outside party for assembling or disassembling the product.